

Tools

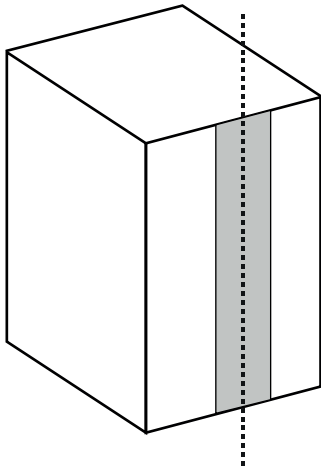


Tools Required:
Pencil
Tape Measure
Saw/Hacksaw
Router

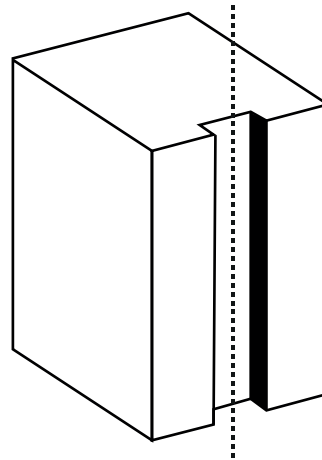


Product Sizes:
10x4, 15x4, 20x4
25x4, 30x4, 38x4

1 The seal needs to be located centrally in either the door leaf or frame.

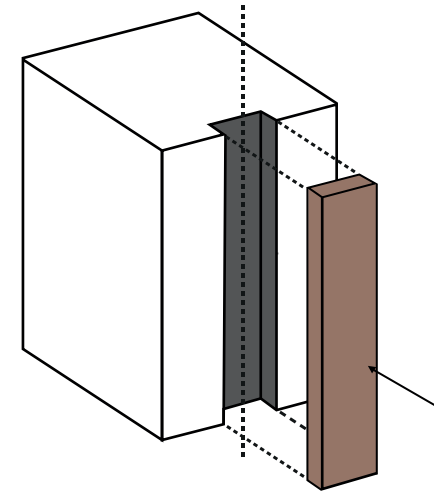


2 Rout a groove suitable for the size of intumescent seal selected. Clean the rebate to remove any dust.



3 Measure and cut seal to length using a hacksaw. Remove self-adhesive backing and butt joint fit all seals to inside and outside of door frame or door, and meeting stiles of pairs of doors where applicable.

Pressure must be applied to activate adhesive backing. Remove the self-adhesive backing liner from the product and push fit into the routed groove.



4 To achieve excellent adhesion seals must be applied to clean, dry surfaces at temperatures between +5°C and +40°C.

