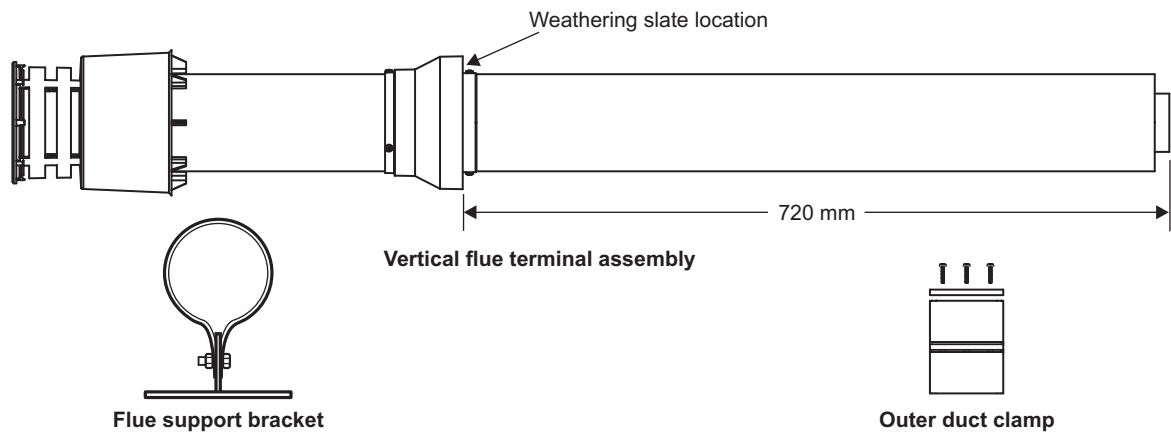


Installation Instructions

CD Vertical Flue Terminal Assembly Concentric (60/100) Flue System

(Kit Part No. 6.2000520)

Only for use with an Alpha CD/HE Condensing Boiler



KIT CONTENTS

1. GENERAL

Note: The CD Vertical flue terminal **MUST ONLY** be used with an Alpha CD/HE condensing boiler.

- The flue system must be installed in accordance with BS 5440:1:2008.
- The boiler must be installed in accordance with the Installation instructions supplied with the CD/HE boiler.
- The vertical flue terminal assembly is equivalent to a 1 m length of flue.
- Each 45° bend is equivalent to a 0.9 m length of flue.

Note: A 90° bend is equivalent to 1.3 m length of flue. If it is necessary to use a 90° bend in the vertical flue, ensure the flue above it is sloped towards the boiler to ensure that all condensate is allowed to drain from the flue. The slope must be a minimum of 25 - 30 mm per metre.

- Refer to the vertical flue options (Fig. 3) and ensure the flue length **does not exceed** the equivalent of 15 m for CD boilers and 6 m for HE boilers (including the terminal assembly).
- Additional CD flue extensions of 750 mm (Part No. 6.2000750) and 1000 mm (Part No. 6.2001050) are available for extending the flue up to a maximum equivalent flue length of 15 m (including the terminal assembly) or 6 m for an HE boiler (including the terminal assembly).
- The CD vertical flue terminal assembly may be connected directly to the boiler adaptor.
- To determine the actual length of flue required (L), measure the distance from the top of the side panel to the weathering slate position and subtract 720 mm for the terminal assembly, i.e. $L = A - 720$ mm (see Fig. 3).
- It is recommended that vertical flue assemblies should be supported approximately every 1.5 m, with access provided to the joints. Flue support brackets are available from Alpha - Part No. 6.1000355.

Table 1

Boiler model	X (mm)
CDC, CDS, CDX	140*
HE	165
CD13/18R	160
CD24R	130
CD50	235

*185 mm if Premier pack is used

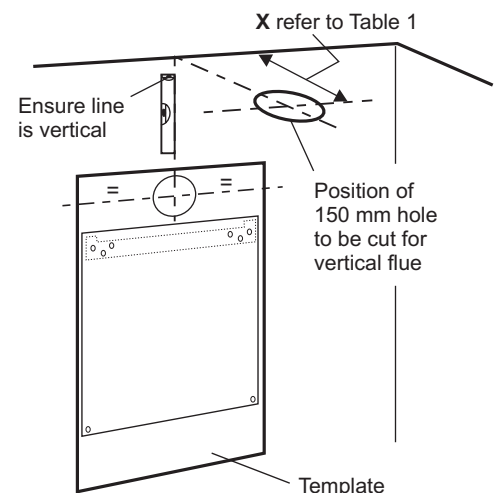


Fig. 1

2. INSTALLATION

- When the template is on the wall in the boiler position, continue the vertical line from the centre of the flue hole to the roof/ceiling position. Mark the centre position of the flue hole as shown in Fig. 1.
- Cut a hole and/or remove tiles so that there is at least a 150 mm diameter hole in the roof. Ensure there is at least a 25 mm gap between the outer duct and any combustible material.
- Fit a 125 mm diameter weathering slate over the hole in the roof. A suitable weathering slate (Part No. 6.1000380 or 6.1000390 for flat roof) is available from Alpha Therm Ltd.
- Position the vertical terminal assembly into the weathering slate ensuring that the slate is located under the lip of the terminal as shown in Fig. 2.

Note: Ensure that the minimum distances are maintained (see Fig. 3). Do not secure the terminal into position at this stage.

- Assemble the flue extensions together by locating the inner duct into the seal joint and secure each extension together with the clamps supplied (three screws). Ensure that the clamps are positioned centrally over the joints.
- Note:** If it is required to cut an extension, **DO NOT** cut the end of the inner duct that incorporates the seal joint. Ensure the inner duct end without the seal joint is cut so that it is 15 mm longer than the outer duct.

- Connect the vertical terminal ducts to the flue assembly, as shown in Fig. 2. Secure with the outer duct clamp (three screws).
 - After assembling all of the ducts, check that the terminal is correctly located above the roof.
- Note:** Ensure that the flue assembly is supported at roof level using suitable brackets, and that the weathering slate is fitted correctly.

The flue should be supported approximately every 1.5 m with access provided to the joints.

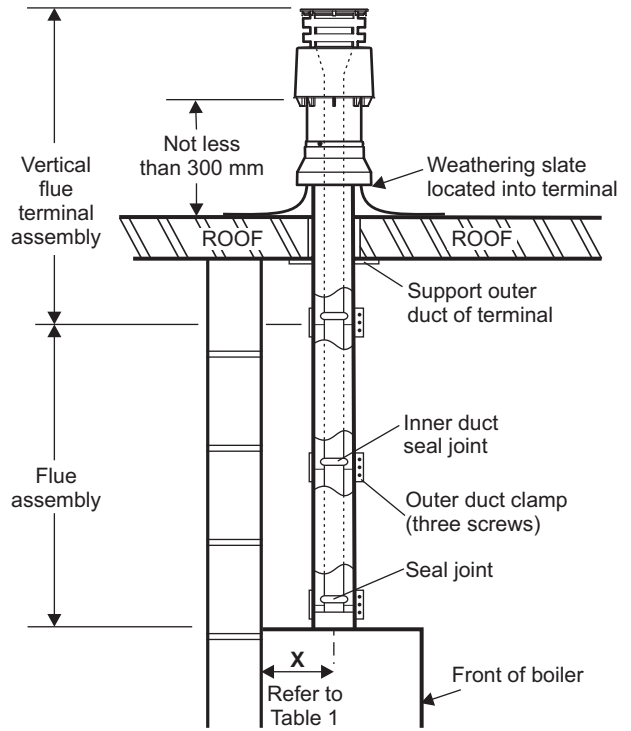


Fig. 2

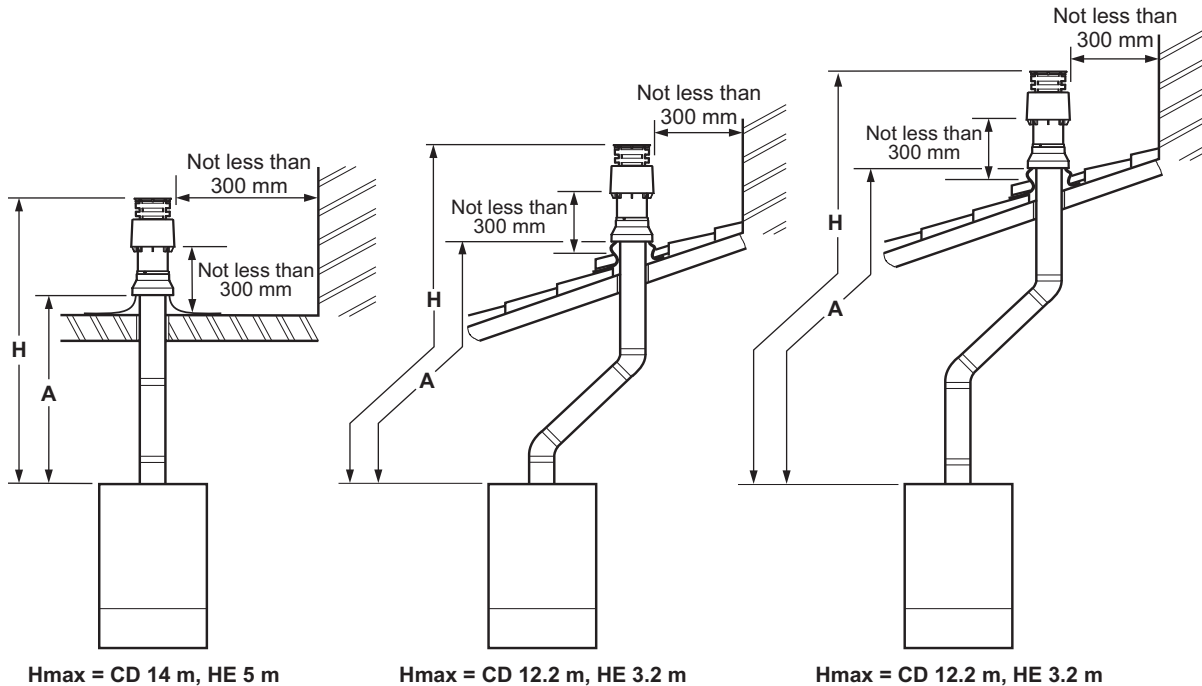


Fig. 3

Alpha

HEATING INNOVATION

Alpha Therm Limited.
Nepicar House, London Road, Wrotham Heath,
Sevenoaks, Kent TN15 7RS
Tel: 0844 8718764
email: info@alpha-innovation.co.uk
website: www.alpha-innovation.co.uk

*These instructions have been carefully prepared but we reserve the right to alter the specification at any time in the interest of product improvement.
© Alpha Therm Limited 2010.*