

Front

Rear

420mm

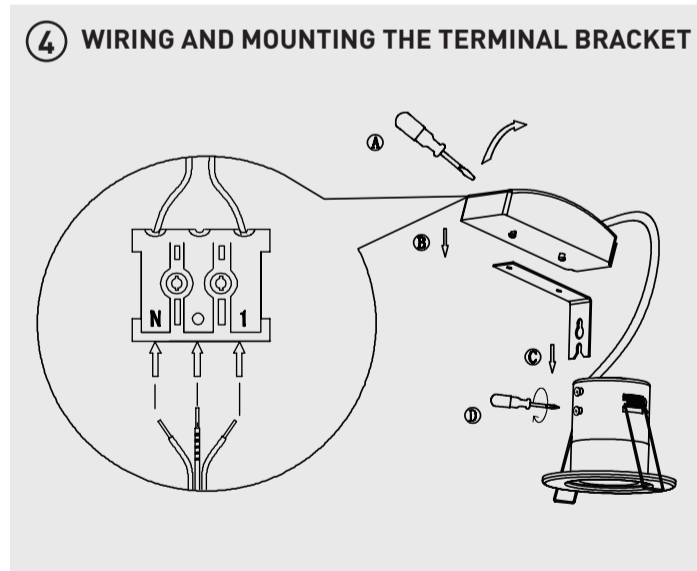
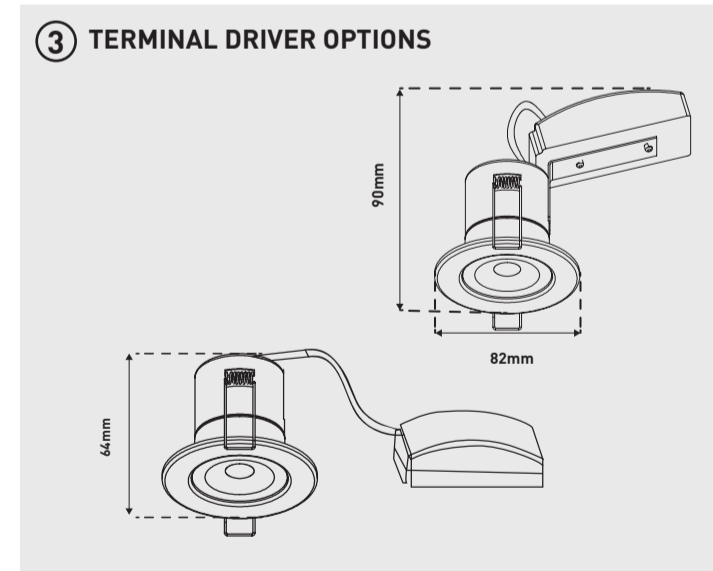
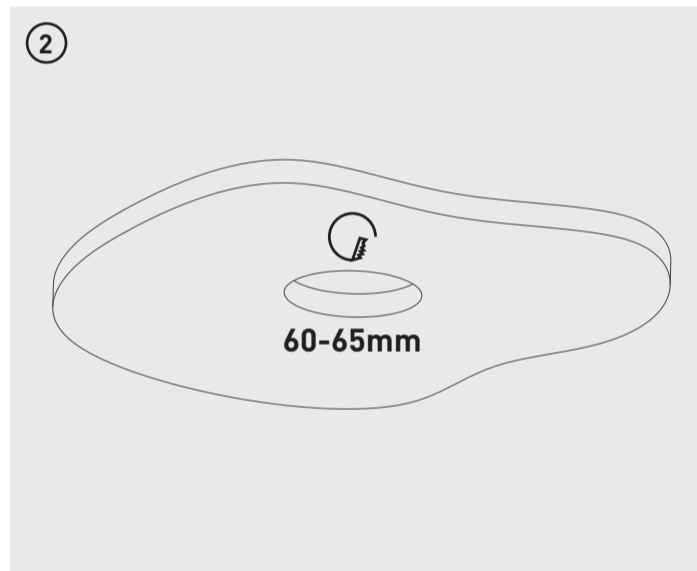
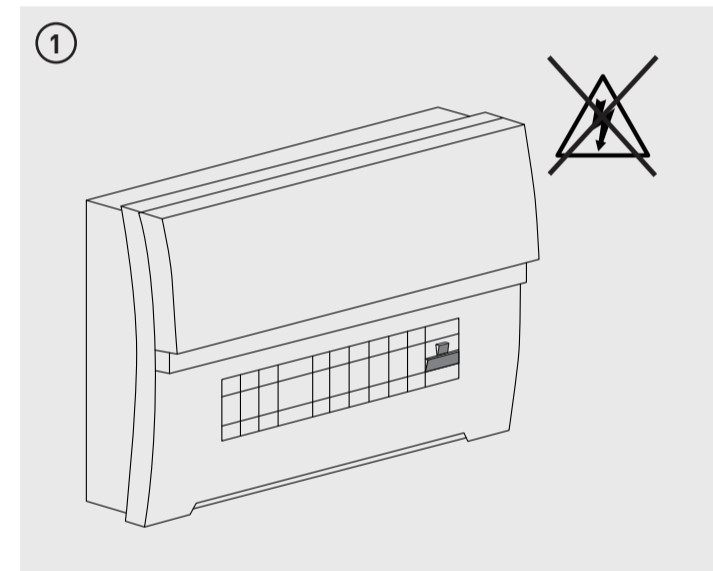


Installation & Operating Instructions

F-ECO INTEGRATED FIRE RATED DOWNLIGHT DIMMABLE RANGE

- ASSEMBLY AND INSTALLATION**
- This product is only suitable for indoor use
 - This product is suitable for direct insulation cover (layover and blanket)
 - This product must be disconnected before insulation resistance testing of the lighting circuit

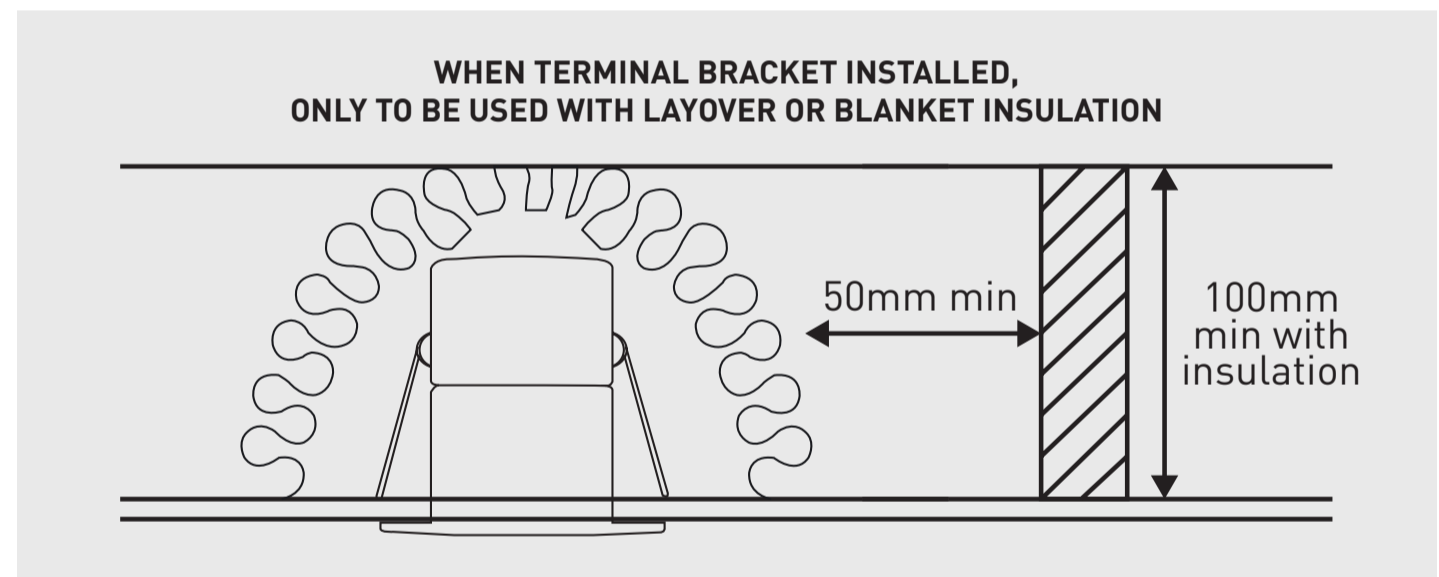
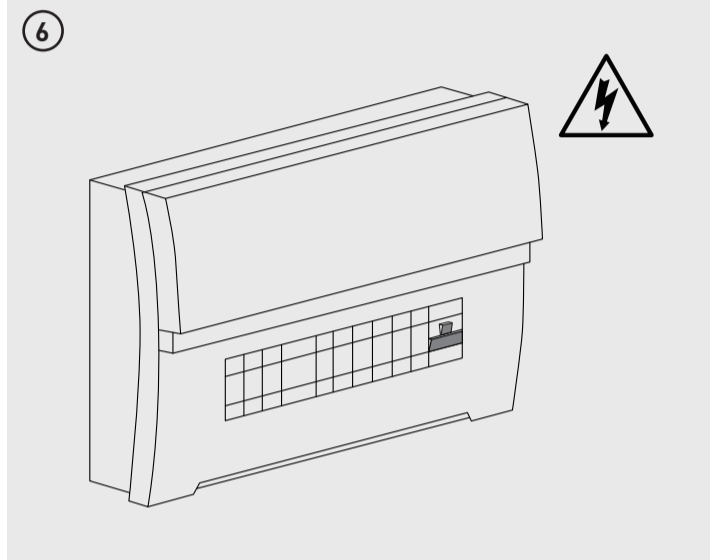
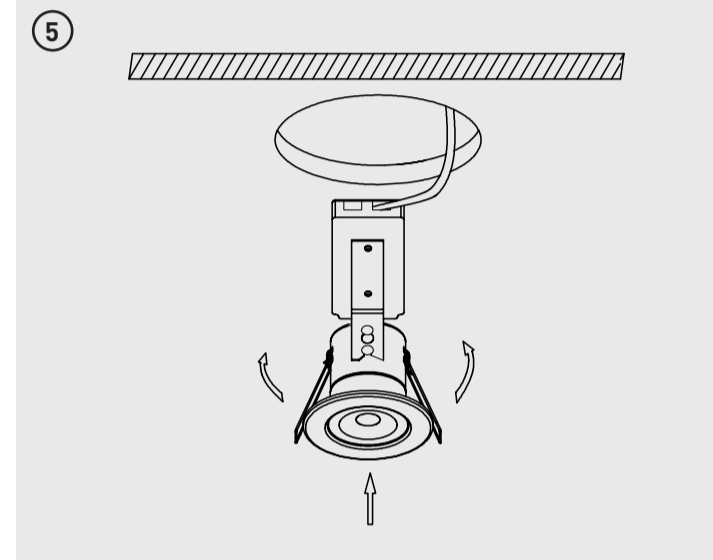
BEAM ANGLE 60°	CRI >80	IP65 RATED	INSULATION COVERABLE
30min FIRE RATED	60min FIRE RATED	90min FIRE RATED	25,000 HOURS
			3 year WARRANTY



Brown - (L), Blue - (N)



Installation & Operating Instructions



Tech Help Line UK - 0330 0249 279 Non UK - +44 (0)1952 238 100
 Kontakt UK - 0330 0249 279 Non UK - +49 40 89066 878 - 29
 Support Technique UK - 0330 0249 279 Non UK - +33 011 61 10 10 35
 Servicio de asistencia telefónica UK - 0330 0249 279 Non UK - +33 011 61 10 10 35
 Assistenza tecnica telefonica UK - 0330 0249 279 Non UK - +39 0434 1696795

Tech Help Line UK - 0330 0249 279 Non UK - +44 (0)1952 238 100
 Kontakt UK - 0330 0249 279 Non UK - +49 40 89066 878 - 29
 Support Technique UK - 0330 0249 279 Non UK - +33 011 61 10 10 35
 Servicio de asistencia telefónica UK - 0330 0249 279 Non UK - +33 011 61 10 10 35
 Assistenza tecnica telefonica UK - 0330 0249 279 Non UK - +39 0434 1696795

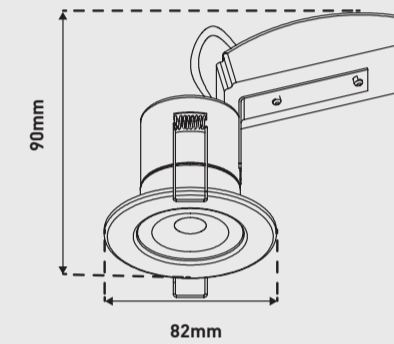
Efte.ro.02.2018



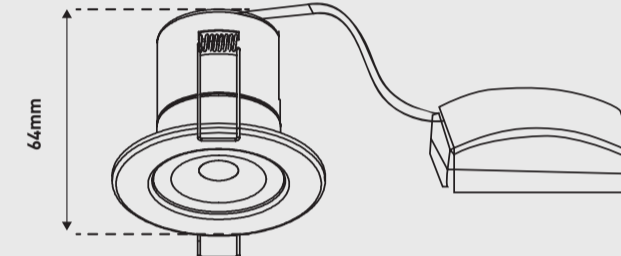
Installation & Operating Instructions

RECESS HEIGHT

- With terminal mounting bracket attached
- Insulation coverable



- Without terminal mounting bracket attached
- NOT insulation coverable
 - For shallow ceiling voids



DOWNLIGHTS

CAT NO.	Voltage / Hz	FINISH	WATT	LUMINAIRE LUMENS	EFFICACY Llm/W	COLOUR TEMP.	BEAM ANGLE	POWER FACTOR	SUGGESTED CUTOUT
EFTE45BS30-01	220-240V 50-60Hz	BRUSHED STEEL	5W	450lm	90Llm/W	3000K	60°	0.7	60-65mm
EFTE45BS40-01	220-240V 50-60Hz	BRUSHED STEEL	5W	450lm	90Llm/W	4000K	60°	0.7	60-65mm
EFTE45PC30-01	220-240V 50-60Hz	POLISHED CHROME	5W	450lm	90Llm/W	3000K	60°	0.7	60-65mm
EFTE45PC40-01	220-240V 50-60Hz	POLISHED CHROME	5W	450lm	90Llm/W	4000K	60°	0.7	60-65mm
EFTE45W30-01	220-240V 50-60Hz	WHITE	5W	450lm	90Llm/W	3000K	60°	0.7	60-65mm
EFTE45W40-01	220-240V 50-60Hz	WHITE	5W	450lm	90Llm/W	4000K	60°	0.7	60-65mm

* For recess height see diagram above chart.

Tech Help Line UK - 0330 0249 279 Non UK - +44 (0)1952 238 100
 Kontakt UK - 0330 0249 279 Non UK - +49 40 89066 878 - 29
 Support Technique UK - 0330 0249 279 Non UK - +33 011 61 10 10 35
 Servicio de asistencia telefónica UK - 0330 0249 279 Non UK - +33 011 61 10 10 35
 Assistenza tecnica telefonica UK - 0330 0249 279 Non UK - +39 0434 1696795

Efte.ro.02.2018

297mm