

*High quality electrical products
at low prices*

Engineered
in the UK



STAG

"The Electrical Contractor's Friend"

www.stag-electrical.com



"The Electrical Contractor's Friend"



Three Decades of Heritage

Stag Electrical has been manufacturing electrical products for nearly 30 years, with an emphasis on producing high-quality products, at the most competitive prices. Our core values are carried forward in every product we make, and we are dedicated to continuous research, design and development in order to maintain our position as one of the leading suppliers of electrical equipment to the UK electrical wholesale marketplace.

Headquartered in Hatfield, Hertfordshire, Stag Electrical is a proud British brand: our product development all takes place in the UK, as does all of our customer service and support.

Built to the Highest Standards

Stag Electrical only uses the latest technical materials for all our products. All of our products are manufactured to the latest IEC standards and are CE marked, and generally speaking, are all developed to offer you the very best quality, whether it be market-leading IP ratings, or practical functionality. Stag Electrical products are designed with you in mind.

The Tradesman's #1 Choice

Here at Stag Electrical we strive to produce high quality products at a price point that makes sense. When you buy Stag Electrical, you can rest assured that you are making a wise purchase. Found in over 500 electrical wholesale outlets in the UK, as well as being a firmly established brand in Australia, Stag Electrical is fast becoming the #1 choice for tradesmen as our products offer high quality and performance at a seriously competitive price.

Stag Online

Stag Electrical products and their respective technical datasheets can be found on our sleek, responsive website which has been optimised for desktop and mobile viewing.



UK Based Support & Service

Stag Electrical provides UK based customer service and technical support, from our Hertfordshire headquarters. Our highly-trained support staff have the knowledge to resolve any technical issue you may have, and are highly adept at managing customer expectations in order to keep your satisfaction levels high.

email your support query to sales@stag-electrical.com

Product Range

IS4P Enclosed Rotary Isolators.....	p.4
SAC Auxilliary Contacts.....	p.5
SLI66 Enclosed Lever Isolators.....	p.6
SCO4P Enclosed Changeover Switches.....	p.7
SE Enclosures.....	p.8
SE Enclosure Base Plates.....	p.9
SST/SMT Mechanical Time Switches.....	p.10
SDT Digital Time Switches.....	p.11
SWC Waterproof Connectors.....	p.12
SCG Metric Cable Glands.....	p.13
SCG PG Cable Glands.....	p.14
SGB Gel Boxes.....	p.15
SLC Screwless Connectors.....	p.16
SPC Screwless Connectors.....	p.17
PLGT LED Pilot Lights.....	p.18
BZR Buzzers.....	p.19

Technical Datasheets

IS4P Enclosed Rotary Isolator Data.....	p.21
SAC Auxilliary Contact Data.....	p.22
SLI66 Enclosed Lever Isolator Data.....	p.23
SCO4P Enclosed Changeover Switch Data.....	p.25
SE Enclosure Data.....	p.26
SE Enclosure Base Plate Data.....	p.27
SST Mechanical Staircase Time Switch Data.....	p.28
SMT Mechanical Time Switch Data.....	p.29
SDT Digital Time Switch Data.....	p.30
SWC Waterproof Connector Data.....	p.31
SCG Cable Gland Data.....	p.32
SGB Gel Boxes.....	p.34
SLC Screwless Lever Connectors.....	p.35
SPC Screwless Pull Connectors.....	p.36
PLGT LED Pilot Lights.....	p.37
BZR Buzzers.....	p.39



IS4P Enclosed Rotary Isolators

IP65



Stag's range of Enclosed Rotary Isolators offer supreme value for money without compromising quality. Made from high quality flame retardant materials, and sealed to IP65 rating, our range of Enclosed Rotary Isolators are tough and durable and suitable for most applications.

Specifically designed with safety in mind, all of our isolators only open in the OFF position and include additional earth and neutral connections. The 4th pole can be used to switch a neutral as it is an Early Make Late Break. The isolator enclosures come with multiple gland knockout holes, making them exceptionally versatile.

New to the range, Stag now offer the IS4P20 and IS4P32 models in a larger enclosure for easier wiring, plus a selection of auxiliary contacts.

With a complete EN 60947-3 compliant range in 4 pole from 20A to 150A as standard, you will find it difficult to find a comparable product for less.

IS4P Enclosed Rotary Isolator range



IS4P20
4 Pole 20A



IS4P20L
4 Pole 20A



IS4P32
4 Pole 32A



IS4P32L
4 Pole 32A



IS4P40
4 Pole 40A



IS4P63
4 Pole 63A



IS4P80
4 Pole 80A



IS4P100
4 Pole 100A



IS4P125
4 Pole 125A



IS4P150
4 Pole 150A



SAC Auxilliary Contacts



Complimenting our IS4P Enclosed Rotary Isolator range are these SAC Auxilliary Contacts. With three versions available, there is a suitable auxilliary contact for the entire IS4P range. Rated at 6A, these auxilliary contacts are ideal for enabling indication for either a pilot light or a sounding device, or to provide an indication signal to a PLC.

All SAC Auxilliary Contacts are EN 60947-3 compliant, and provide 1 NO (Normally Open) and 1 NC (Normally Closed) contacts, fitting to the left hand side of the isolator body, inside of the enclosure. Each SAC Auxilliary Contact can be used with the IS4P Enclosed Rotary Isolators as follows:

- SAC32-11** For use with: IS4P20, IS4P20L, IS4P32, IS4P32L
- SAC63-11** For use with: IS4P40, IS4P63
- SAC150-11** For use with: IS4P80, IS4P100, IS4P125, IS4P150

SAC Auxilliary Contacts range



SAC32-11

For use with
IS4P20 - IS4P32L



SAC63-11

For use with
IS4P40 - IS4P63



SAC150-11

For use with
IS4P80 - IS4P150



SLI66 Enclosed Lever Isolators

IP66



Stag's range of Enclosed Lever Isolators offer the same supreme value for money and high quality as our Enclosed Rotary Isolators. Made from the same high quality flame retardant materials, and sealed to IP66 rating, our range of Enclosed Lever Isolators are tough and durable and suitable for most applications.

The Stag Enclosed Lever Isolator enclosures come with dual 20mm and 25mm gland knockout holes, making them just as versatile as our rotary version.

The small body Enclosed Lever Isolators are available in either 1 or 2 pole versions, from 10A to 20A and the larger body Enclosed Lever Isolators are available in either 1 or 3 pole versions from 20A to 63A.

The entire range of Enclosed Lever Isolators are IEC60947-3 compliant and offer a single piece sealing gasket, along with additional Earth and Neutral connections.

SLI66 Enclosed Lever Isolator range



SLI66-1-10
1 Pole 10A



SLI66-1-20
1 Pole 20A



SLI66L-1-20
1 Pole 20A



SLI66L-1-35
1 Pole 35A



SLI66L-1-63
1 Pole 63A



SLI66-2-20
2 Pole 20A



SLI66L-3-20
3 Pole 20A



SLI66L-3-35
3 Pole 35A



SLI66L-3-63
3 Pole 63A



SCO4P Enclosed Changeover Switches

IP65 CE UK CA

Designed to switch circuits from one set of connections to another, the Stag Electrical range of Changeover Switches are suitable for industrial, commercial and residential applications wherever switching between alternate sources of supply is required, such as solar inverter output to grid or generator to grid.

Made from high quality flame retardant materials, and sealed to IP65 protection rating, the enclosures are supplied with dual 20mm and 25mm gland knock-outs making them just as versatile and effective as our range of Enclosed Rotary Isolators.

With a complete EN 60947-3 compliant range in 4 pole from 20A to 100A as standard, as with our Enclosed Rotary Isolator range, you will find it difficult to find a comparable product for less.



SCO4P Enclosed Changeover Switch range



SCO4P20
4 Pole 20A



SCO4P32
4 Pole 32A



SCO4P40
4 Pole 40A



SCO4P63
4 Pole 63A



SCO4P80
4 Pole 80A



SCO4P100
4 Pole 100A



SE Enclosures

IP44

IP56



Built to the most rigorous standards and featuring pre-moulded slots for DIN-rail or terminal block attachment, stainless steel locking screws and fast release hinged lid on the largest models. Stag really does supply a user-friendly, high quality enclosure solution for every application - and all at highly competitive pricing.

- High strength technical polymer material
- Protection levels from IP44 to IP56
- Double insulation in accordance with CEI 64-8 standards
- CEI 23/48 compliant for household use
- CEI EN 60 670-1 compliant
- CEI EN 60 670-22 compliant
- Hinged lid on larger sizes
- Solid wall construction for flexible gland positioning (SE04 to SE10)

SE Enclosure range



SE02

Ø80x40mm IP44



SE03

80x80x50mm IP44



SE04

100x100x50mm IP56



SE05

120x80x50mm IP56



SE06

150x110x70mm IP56



SE07

190x140x70mm IP56



SE08

240x190x90mm IP56



SE09

300x220x120mm IP56



SE10

380x300x120mm IP56



SE Enclosure Metal Base Plates



Stag SE Enclosure Metal Base Plates have been built specifically to fit the SE Enclosure range. Stag SE Enclosure Metal Base Plates provide customers the flexibility to mount virtually anything, anywhere inside the enclosure without using a standard DIN Rail. Like the rest of Stag Electrical's product ranges, these base plates are manufactured from the finest quality materials.

SE Enclosure Base Plates are available as follows:-

- SEBP07** For use with SE07
- SEBP08** For use with SE08
- SEBP09** For use with SE09
- SEBP10** For use with SE10

SE Enclosure Accessories range



SEBP07
170x130mm
For use with SE07



SEBP08
222x178mm
For use with SE08



SEBP09
287x207mm
For use with SE09



SEBP10
362x282mm
For use with SE10



SST / SMT Mechanical Time Switches



One of the newest additions to the Stag Electrical family is our range of mechanical time switches. Specifically designed for the electrical wholesale market, our selection includes a Staircase Timer for automating lighting in corridors, staircases and lobbies, and a Mechanical Timer with 96 switching segments within a daily program.

All Stag Electrical mechanical time switches are constructed from self-extinguishing thermoplastic for additional safety, and offer IP20 protection rating across the entire range.

SST / SMT Mechanical Time Switch ranges



SST-5-1C
Staircase Timer



SMT-96-1C
Mechanical Timer

Available In Sustainable Packaging For Retail



All of our Time Switches are available in cardboard packaging that can be easily displaying on a slatwall hook. Here are the corresponding part numbers:

Loose Product Part Number	Blister Pack Part Number
SST-5-1C	SPT1
SMT-96-1C	SPT2
SDT-20-1C	SPT3
SDTC-20-1C	SPT4
SDT-58-2C	SPT5
SDTA-58-2C	SPT6
STDK1	SPT4-COPYKEY



SDT Digital Time Switches



Additional to the Stag Electrical mechanical time switches we also manufacture a range of digital time switches. The range consists of 4 Digital Timer models offering a variety of functions and programs, for all your requirements. Our digital timers all have LED screens for uncomplicated programming, and offer a choice of 20 or 58 programs, plus they all offer battery backup up to 5 years. We also manufacture a model with a copy function, and a model with advanced functions including multiple languages (English, Spanish, French, Portuguese, German, Italian).

The SDTC-20-1C is capable of using a set of copied parameters, held on the STDK1 copy key (sold separately).

All Stag Electrical digital time switches are constructed from self-extinguishing thermoplastic for additional safety, and offer IP20 protection rating across the entire range.



SDT Digital Time Switch ranges



SDTC-20-1C

20 Prog. Timer w/Copy Function



SDT-20-1C

20 Program Digital Timer



SDT-58-2C

58 Program Digital Timer



SDTA-58-2C

Advanced Function Timer



STDK1

Copy Key for SDTC-20-1C



SWC Waterproof Connectors



IP68



Constructed from durable PA66 polyamide, the range of SWC Waterproof Connectors offer IP68 protection rating, making them ideal for outdoor use. The range offers both 3 and 5 way connections, with both being available in either straight or "T" type bodies. Additionally, our clever product development team have created a 2-part, high-performance silicone gland seal which will allow you to connect wires from 4mm² up to 11mm² for added versatility.

- 3 & 5 way connections
- Straight and "T" type body styles
- 16A & 25A connections
- IP68 protection rating
- PA66 Polyamide body
- High-performance silicone gland seals
- 2-part gland seal for 4mm² to 11mm² cable capacity

SWC Waterproof Connector range



SWCA3
Straight, 3-Way



SWCA5
Straight, 5-Way



SWCT3
T-Type, 3-Way



SWCT5
T-Type, 5-Way



SCG Metric Cable Glands

IP68



Manufactured to the same exacting standards of all our products, Stag Cable Glands are IP68 rated, and include the sealing washer and locking nut as standard. Our standard nylon glands are constructed with a metric thread, and are available in M12 to M63 sizes, with four colour options: white, black, grey and red.

SCG Cable Gland range



SCG/M12-W (white)
Cable Range: 3-6.5mm

- COLOUR ALTERNATIVES -

SCG/M12-B (black)
SCG/M12-G (grey)
SCG/M12-R (red)



SCG/M16-W (white)
Cable Range: 4-8mm

- COLOUR ALTERNATIVES -

SCG/M16-B (black)
SCG/M16-G (grey)
SCG/M16-R (red)



SCG/M20-W (white)
Cable Range: 6-12mm

- COLOUR ALTERNATIVES -

SCG/M20-B (black)
SCG/M20-G (grey)
SCG/M20-R (red)



SCG/M20L-W (white)
Cable Range: 10-14mm

- COLOUR ALTERNATIVES -

SCG/M20L-B (black)
SCG/M20L-G (grey)
SCG/M20L-R (red)



SCG/M25-W (white)
Cable Range: 12-15mm

- COLOUR ALTERNATIVES -

SCG/M25-B (black)
SCG/M25-G (grey)
SCG/M25-R (red)



SCG/M25L-W (white)
Cable Range: 14-18mm

- COLOUR ALTERNATIVES -

SCG/M25L-B (black)
SCG/M25L-G (grey)
SCG/M25L-R (red)



SCG/M32-W (white)
Cable Range: 16-21mm

- COLOUR ALTERNATIVES -

SCG/M32-B (black)
SCG/M32-G (grey)
SCG/M32-R (red)



SCG/M40-W (white)
Cable Range: 24-32mm

- COLOUR ALTERNATIVES -

SCG/M40-B (black)
SCG/M40-G (grey)
SCG/M40-R (red)



SCG/M50-W (white)
Cable Range: 32-38mm

- COLOUR ALTERNATIVES -

SCG/M50-B (black)
SCG/M50-G (grey)
SCG/M50-R (red)



SCG/M63-W (white)
Cable Range: 37-44mm

- COLOUR ALTERNATIVES -

SCG/M63-B (black)
SCG/M63-G (grey)
SCG/M63-R (red)



SCG PG Cable Glands

IP68



Manufactured to the same exacting standards of all our products, including the standard metric Stag Cable Glands, the new range of Stag PG Cable Glands are IP68 rated, and include the sealing washer and locking nut as standard. Our nylon PG glands are constructed with a PG (Panzer-Gewinde) thread, and are available in sizes from PG7 to PG36, in grey. PG thread differs from standard metric thread by offering a shallower thread with a wider flank angle, giving it a wider pitch overall.

SCG PG Cable Gland range

NEW



SCG/PG7-G (grey)
Cable Range: 3-6.5mm

NEW



SCG/PG9-G (grey)
Cable Range: 4-8mm

NEW



SCG/PG11-G (grey)
Cable Range: 5-10mm

NEW



SCG/PG13.5-G (grey)
Cable Range: 6-12mm

NEW



SCG/PG16-G (grey)
Cable Range: 10-14mm

NEW



SCG/PG21-G (grey)
Cable Range: 14-18mm

NEW



SCG/PG29-G (grey)
Cable Range: 18-25mm

NEW



SCG/PG36-G (grey)
Cable Range: 24-32mm



SGB Gel Boxes



IPX8



The SGB Gel Boxes is a range of pre-filled gel boxes for sealing, protecting and making safe electrical connections. Boasting an IPX8 waterproof rating, the entire range of SGB Gel Boxes can even be used under water for submerged and subterranean applications. The pre-filled gel is non-toxic with no possibility of harm to the environment, whilst 3 wiring entrances makes the SGB Gel Boxes range exceptionally versatile.

- Versatile (plug-and-play) and reuseable
- Pre-filled non-toxic gel with no shelf life
- Small, compact and durable
- IPX8 protection rating
- Halogen-free
- UV resistant PA66
- EN 50393 compliant

SGB Gel Boxes range



SGB-01

41mm x 28mm x 19mm



SGB-02

45mm x 37mm x 24mm



SGB-03

53mm x 39mm x 24mm



SLC Screwless Connectors



Stag SLC Screwless Connectors are manufactured with a lever in order to make a quick and easy connection, and are capable of accepting solid wires from 0.2mm² - 4mm² and stranded wires from 0.2mm² - 2.5mm². Designed specifically to fit into the range of SGB Gel Boxes which provide a waterproof seal around the screwless connectors. Available in either 2 way, 3 way or 5 way connector options.

- Quick and easy to fit or replace
- Lever operated
- Compact and durable
- Ideal for use with SGB Gel Boxes range
- High quality materials

SLC Screwless Lever Connector range



SLC-2W
2 Way Lever Connector



SLC-3W
3 Way Lever Connector



SLC-5W
5 Way Lever Connector



SPC Screwless Connectors



Stag SPC Screwless Connectors are manufactured with a push/pull lever in order to make a quick and easy connection, and are capable of accepting both solid and stranded wires from 0.2mm² - 4mm². Designed specifically to fit into the range of SGB Gel Boxes which provide a waterproof seal around the screwless connectors. Available in either 2 way, 3 way or 5 way connector options.

- Quick and easy to fit or replace
- Lever or push/pull lever
- Compact and durable
- Ideal for use with SGB Gel Boxes range
- High quality materials

SPC Screwless Push/Pull Connector range



SPC-2W
2 Way
Push/Pull Connector



SPC-3W
3 Way
Push/Pull Connector



SPC-5W
5 Way
Push/Pull Connector



PLGT / PLGT-T LED Pilot Lights

IP67 CE UK CA

The Stag Electrical range of IP67 rated, PLGT LED Pilot Lights use multi-chip technology which produces a bright and even light, through a choice of 5 colours: Red; Green; Blue; Orange & White. The range is offered in a choice of voltage ratings from 12VAC/DC to 230VAC, and offers a modern and efficient replacement of traditional 22mm indicators. Easy accessible panel locking nut and terminals makes these pilot lights simple to install and replace.

- Multi-chip LED integrated onto light surface
- 22.5mm Single Hole Mounting
- Choice of 5 colours
- Version with Test Function
- IP67 protection rating
- Voltage Ratings: 12VAC/DC; 24VAC/DC; 110VAC/DC & 230VAC

PLGT LED Pilot Light range



PLGT-XX-RED
Red Pilot Light



PLGT-XX-GREEN
Green Pilot Light



PLGT-XX-BLUE
Blue Pilot Light



PLGT-XX-ORANGE
Orange Pilot Light



PLGT-XX-WHITE
White Pilot Light



PLGT-T-XX-RD
Red Pilot Light
with Test Function



PLGT-T-XX-GN
Green Pilot Light
with Test Function



PLGT-T-XX-BL
Blue Pilot Light
with Test Function



PLGT-T-XX-OR
Orange Pilot Light
with Test Function



PLGT-T-XX-WT
White Pilot Light
with Test Function



BZR Buzzers

IP40



The Stag polycarbonate BZR range of industrial panel mount buzzers are available with an integral intermittent LED indicator for an audible and visual indication solution, or without an LED if only audible indication is required. Panel mounting is completed via a 22mm single hole, with the locking nut and terminals being easily accessible for a quick installation.

- 80-85dB Buzzer Loudness
- 22.5mm Single Hole Mounting
- Intermittent Red LED Option
- IP40 Protection Rating
- Polycarbonate Body & Lens

BZR Buzzer range



BZR
Buzzer



BZRL
Buzzer with LED



S22-WRENCH
Ø 22mm Wrench
For use with all Stag
Pilot Lights & Buzzers



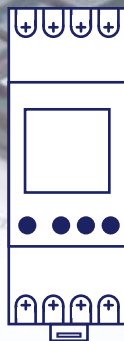
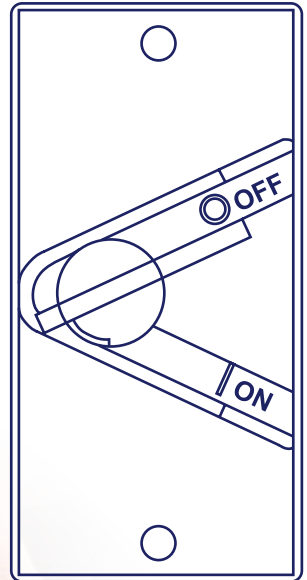
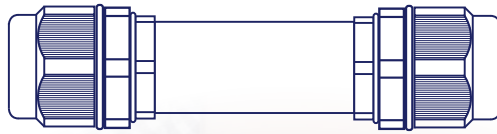
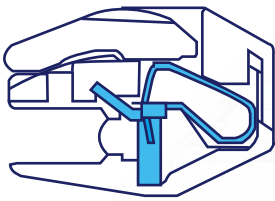
Technical Data Stag Electrical Product Range

Technical Data

Stag Electrical produces high quality supportive materials for all our products, including in-depth technical data for every product, enabling easier specification.

All of our products and their respective technical data can be found at:

www.stag-electrical.com



For more information, email sales@stag-electrical.com
www.stag-electrical.com



Technical Data

IS4P Enclosed Rotary Isolators



- 4 Pole Range available from 20A to 150A
- IP65 Protection Rating (enclosure)
- EN 60947-3 Compliant
- 3 Sizes of Enclosure
- Multiple Gland Knockouts
- Lockable Rotary Handle
- Flame Retardant
- External Mounting Points
- Additional Earth Connection
- Interlocked Enclosure Lid

ORDERING INFORMATION

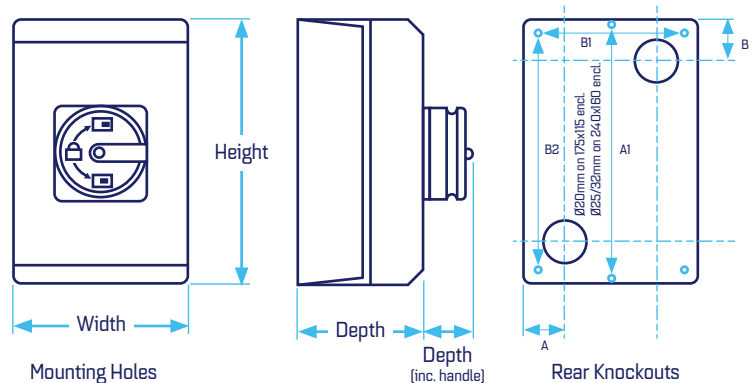
Part Number	Current I _e (AC21)	Rated Operating Voltage	Poles
IS4P20	20A	230 - 440V	4
IS4P20L	20A	230 - 440V	4
IS4P32	32A	230 - 440V	4
IS4P32L	32A	230 - 440V	4
IS4P40	40A	230 - 440V	4
IS4P63	63A	230 - 440V	4
IS4P80	80A	230 - 440V	4
IS4P100	100A	230 - 440V	4
IS4P125	125A	230 - 440V	4
IS4P150	150A	230 - 440V	4

DIMENSIONS (mm)

Part Number	Height	Width	Depth	Depth inc. Handle	Gland Knockouts
IS4P20	125	100	85	120	M20/25
IS4P20L	175	115	100	135	M20/25
IS4P32	125	100	85	120	M20/25
IS4P32L	175	115	100	135	M20/25
IS4P40	175	115	100	135	M20/25
IS4P63	175	115	100	135	M20/25
IS4P80	240	160	120	165	M20/25/32
IS4P100	240	160	120	165	M20/25/32
IS4P125	240	160	120	165	M20/25/32
IS4P150	240	160	120	165	M20/25/32

GENERAL INFORMATION

Enclosure Material	Polycarbonate
Lid Screw Material	Stainless Steel
Ingress Protection	IP65 Enclosure / IP20 Body
Interlocked Handle	In ON Position
Approvals	UKCA, CE, SEMKO
Compliance	IEC EN 60947-3, RoHS



For IS4P20 & IS4P32 / IS4P20L, IS4P32L, IS4P40 & IS4P63
 A1: 115mm / 165mm
 For IS4P80, IS4P100, IS4P125 & IS4P150
 B1: 142mm, B2: 193mm

A: 27.5mm on 175x115mm enclosure
 42mm on 240x160mm enclosure
 B: 25mm on 175x115mm enclosure
 42.0mm on 240x160mm enclosure

TECHNICAL SPECIFICATION

Part Number	IS4P20	IS4P20L	IS4P32	IS4P32L	IS4P40	IS4P63	IS4P80	IS4P100	IS4P125	IS4P150
Poles	4	4	4	4	4	4	4	4	4	4
Rated Operational Current I _e (AC21) [A]	20	20	32	32	40	63	80	100	125	150
Rated Power of 3Ph Motor at 415V (AC23A) (kW)	5.5	5.5	11	11	15	22	30	37	45	70
Rated Voltage [V]	415	415	415	415	415	415	415	415	415	415
Frequency [Hz]	50/60	50/60	50/60	50/60	50/60	50/60	50/60	50/60	50/60	50/60
Rated Insulation Voltage U _i [V]	690	690	690	690	690	690	690	690	690	690
Max. Cable Size (Solid/Stranded) (mm ²)	10	10	10	10	10	16	35	35	35	35
Rated Cond. Short Circuit Current [A]	20 I _e	20 I _e	20 I _e	20 I _e	20 I _e	20 I _e	20 I _e	20 I _e	20 I _e	20 I _e
Short Time Withstand Current 415V 1 sec. [A]	12 I _e	12 I _e	12 I _e	12 I _e	12 I _e	12 I _e	12 I _e	12 I _e	12 I _e	12 I _e
Rated Make/Break Capacity [A]	8 I _e	8 I _e	8 I _e	8 I _e	8 I _e	8 I _e	8 I _e	8 I _e	8 I _e	8 I _e
Protection Degree	IP65	IP65	IP65	IP65	IP65	IP65	IP65	IP65	IP65	IP65
Tightening Torque [Contacts / Lid] (Nm)	2 / 1.2	2 / 1.2	2 / 1.2	2 / 1.2	2 / 1.2	2 / 1.2	3 / 1.2	3 / 1.2	3 / 1.2	3 / 1.2
Mechanical Life (10 ³)	10	10	10	10	10	10	10	10	10	10
Weight (kg)	0.52	0.75	0.52	0.75	0.75	0.75	1.34	1.34	1.34	1.34

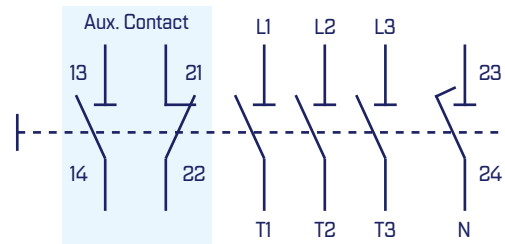


- Auxiliary Contact for Stag Rotary Isolators
- EN 60947-3 Compliant
- 3 Sizes Covering Entire Isolator Range
- Fits on Left Hand Side
- 1 NO & 1NC Contacts

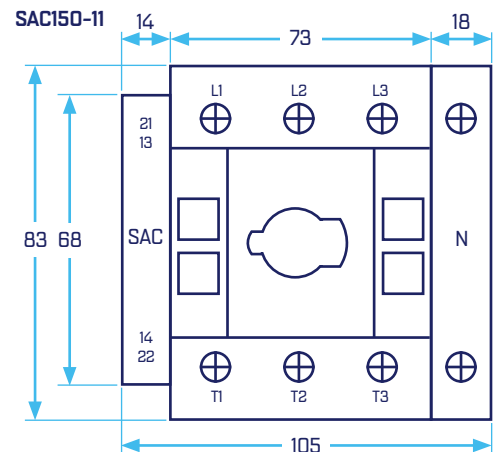
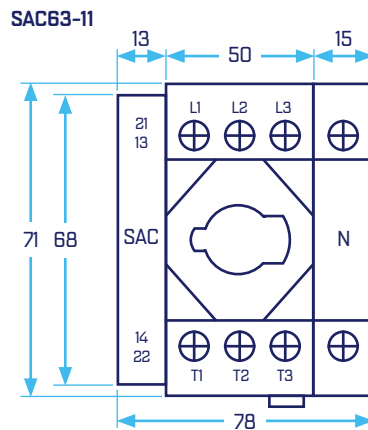
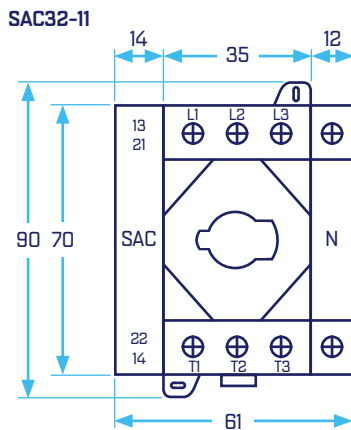
ORDERING INFORMATION

Part Number	Fits
SAC32-11	IS4P20, IS4P20L, IS4P32, IS4P32L
SAC63-11	IS4P40, IS4P63
SAC150-11	IS4P80, IS4P100, IS4P125, IS4P150

WIRING



DIMENSIONS (mm)



TECHNICAL SPECIFICATION

Part Number	SAC32-11	SAC63-11	SAC150-11
Contact Configuration	1 Normally Open (NO), 1 Normally Closed (NC)		
Rated Operational Current I_b [AC15] (A) 230V	6	6	6
Rated Operational Current I_b [DC13] (A) 125V	1.1	1.1	1.1
Rated Operational Current I_b [DC13] (A) 250V	0.55	0.55	0.55
Rated Insulation Voltage U_i (V)	500	500	500
Maximum Fuse (A) gG/gL	10	10	10
Max. Cable Size (Solid) (mm²)	0.75 - 2.5	0.75 - 2.5	0.75 - 2.5
Max. Cable Size (Flexible with Ferrule) (mm²)	0.5 - 1.5	0.5 - 1.5	0.5 - 1.5
Tightening Torque (Nm)	0.6	0.6	0.6
Control Circuit Reliability at 24V DC, 10mA (Hr)	< 10 ⁻⁵ , < 1 fault in 100,000 operations		
Compliance	IEC EN 60947-3, RoHS		
Approvals	UKCA, CE		



Technical Data

SLI66 Enclosed Lever Isolators



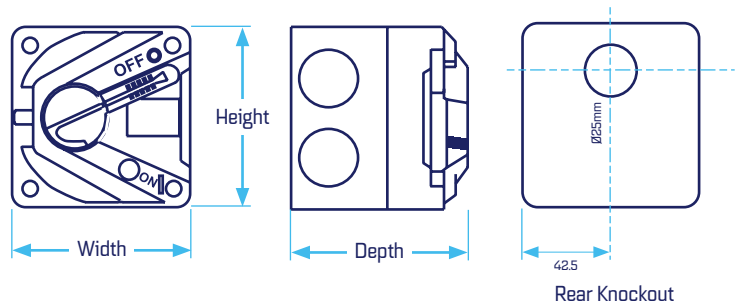
- 1 & 2 Pole Range available from 10A to 20A
- IP66 Protection Rating (enclosure)
- EN 60947-3 Compliant
- Dual 20mm & 25mm Gland Knockouts
- ON/OFF Position clearly indicated
- Lockable Lever Handle
- Flame Retardant
- Single Piece Sealing Gasket
- Mounting & Sealing Screw Covers included

ORDERING INFORMATION

Part Number	Current I _b (AC23A)	Rated Operating Voltage	Poles
SLI66-1-10	10A	250V	1
SLI66-1-20	20A	250V	1
SLI66-2-20	20A	250V	2

DIMENSIONS (mm)

Part Number	Height	Width	Depth (inc. Handle)
SLI66-1-10	85	85	80
SLI66-1-20	85	85	80
SLI66-2-20	85	85	80



GENERAL INFORMATION

Enclosure Material	Polycarbonate
Lid Screw Material	Stainless Steel
Ingress Protection	IP66 Enclosure / IP20 Body
Approvals	UKCA, CE
Compliance	IEC EN 60947-3, RoHS

TECHNICAL SPECIFICATION

Part Number	SLI66-1-10	SLI66-1-20	SLI66-2-20
Poles	1	1	2
Rated Operational Current I _b (AC23A) [A]	10	20	20
Rated Voltage [V]	250	250	250
Frequency [Hz]	50/60	50/60	50/60
Rated Insulation Voltage U _i [V]	250	250	250
Max. Cable Size (Solid/Stranded) [mm ²]	10	10	10
Short Time Withstand Current 1 sec. I _{cw} [A]	450	450	450
Short Time Making Capacity I _{cm} [A]	500	500	500
Protection Degree	IP66	IP66	IP66
Tightening Torque [Nm]	0.8	0.8	0.8
Mechanical Life (10 ³)	10	10	10
Operating Temperature	-5°C to +40°C		
Weight [kg]	0.18	0.18	0.20



Technical Data

SLI66L Enclosed Lever Isolators



- 1 & 3 Pole Range available from 20A to 63A
- IP66 Protection Rating (enclosure)
- EN 60947-3 Compliant
- Single-piece Sealing Gasket
- 4x25mm Threaded Entry Points (2x25mm-20mm Adaptors Supplied)
- Lockable Lever Handle
- Flame Retardant
- Base Mounting Screw Covers
- Additional Earth & Neutral Connection
- Integral Encapsulated Mounting Holes

ORDERING INFORMATION

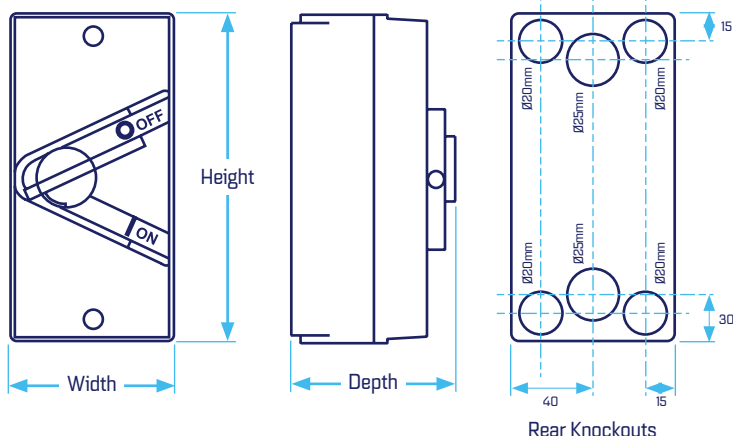
Part Number	Current I _e (AC23A)	Rated Operating Voltage	Poles
SLI66L-1-20	20A	250V	1
SLI66L-1-35	35A	250V	1
SLI66L-1-63	63A	250V	1
SLI66L-3-20	20A	415V	3
SLI66L-3-35	35A	415V	3
SLI66L-3-63	63A	415V	3

DIMENSIONS (mm)

Part Number	Height	Width	Depth (inc. Handle)
SLI66L-1-20	166	83	86
SLI66L-1-35	166	83	86
SLI66L-1-63	166	83	86
SLI66L-3-20	166	83	86
SLI66L-3-35	166	83	86
SLI66L-3-63	166	83	86

GENERAL INFORMATION

Enclosure Material	Polycarbonate
Lid Screw Material	Stainless Steel
Ingress Protection	IP66 Enclosure / IP20 Body
Approvals	UKCA, CE
Compliance	IEC EN 60947-3, RoHS



Rear Knockouts

TECHNICAL SPECIFICATION

Part Number	SLI66L-1-20	SLI66L-1-35	SLI66L-1-63	SLI66L-3-20	SLI66L-3-35	SLI66L-3-63
Poles	1	1	1	3	3	3
Rated Operational Current I _e (AC23A) [A]	20	35	63	20	35	63
Rated Voltage [V]	250	250	250	415	415	415
Frequency [Hz]	50/60	50/60	50/60	50/60	50/60	50/60
Rated Insulation Voltage U _i [V]	500	500	500	500	500	500
Max. Cable Size [Solid/Stranded] [mm ²]	16	16	16	16	16	16
Short Time Withstand Current 1 sec. I _{cw} [A]	12 I _e	12 I _e	12 I _e	12 I _e	12 I _e	12 I _e
Short Time Making Capacity I _{cm} [A]	1.41 I _{cw}	1.41 I _{cw}	1.41 I _{cw}	1.41 I _{cw}	1.41 I _{cw}	1.41 I _{cw}
Protection Degree	IP66	IP66	IP66	IP66	IP66	IP66
Tightening Torque [Nm]	1.5	1.5	1.5	1.5	1.5	1.5
Mechanical Life (10 ³)	10	10	10	10	10	10
Operating Temperature	-5°C to +40°C					
Weight [kg]	0.38	0.38	0.38	0.44	0.44	0.44



Technical Data

SCO4P Enclosed Changeover Switches

IP65



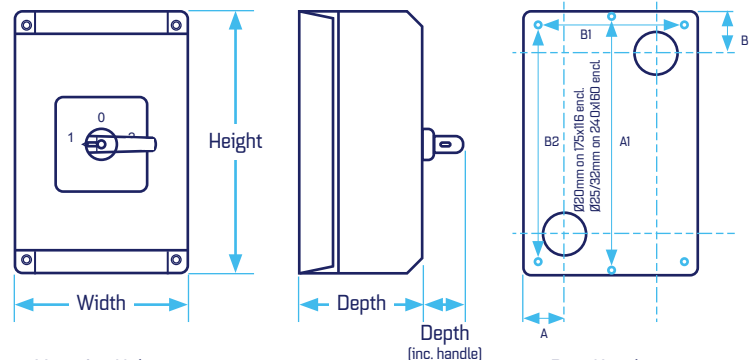
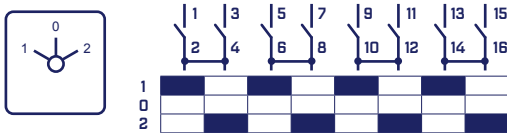
- 4 Pole Range available from 20A to 100A
- IP65 Protection Rating (enclosure)
- EN 60947-3 Compliant
- 2 Sizes of Enclosure
- Multiple Gland Knockouts
- 3 Position Handle with Centre OFF
- Flame Retardant
- External Mounting Points
- Additional Earth Connection

ORDERING INFORMATION

Part Number	Current I _e (AC21)	Rated Operating Voltage	Poles
SCO4P20	20A	230-440V	4
SCO4P32	32A	230-440V	4
SCO4P40	40A	230-440V	4
SCO4P63	63A	230-440V	4
SCO4P80	80A	230-440V	4
SCO4P100	100A	230-440V	4

DIMENSIONS (mm)

Part Number	Height	Width	Depth	Depth inc. Handle	Gland Knockouts
SCO4P20	176	116	101	136	M20/25
SCO4P32	176	116	101	136	M20/25
SCO4P40	176	116	101	136	M20/25
SCO4P63	240	160	162	194	M25/32
SCO4P80	240	160	162	194	M25/32
SCO4P100	240	160	162	194	M25/32



Mounting Holes

For SCO4P20, SCO4P32 & SCO4P40
 A1: 165mm
 For SCO4P63, SCO4P80 & SCO4P100
 B1: 142mm, B2: 193mm

Rear Knockouts

A: 27.5mm on 175x116mm enclosure
 42mm on 240x160mm enclosure
 B: 25mm on 175x116mm enclosure
 42.0mm on 240x160mm enclosure

GENERAL INFORMATION

Enclosure Material	Polycarbonate
Lid Screw Material	Stainless Steel
Ingress Protection	IP65 Enclosure / IP20 Body
Interlocked Handle	n/a
Approvals	UKCA, CE, SEMKO
Compliance	IEC EN 60947-3, RoHS

TECHNICAL SPECIFICATION

Part Number	SCO4P20	SCO4P32	SCO4P40	SCO4P63	SCO4P80	SCO4P100
Poles	4	4	4	4	4	4
Rated Operational Current I _e [AC21] [A]	20	32	40	63	80	100
Rated Power of 3Ph Motor at 415V [AC23A] [kW]	7	12	15	22	30	37
Rated Voltage [V]	415	415	415	415	415	415
Frequency [Hz]	50/60	50/60	50/60	50/60	50/60	50/60
Rated Insulation Voltage U _i [V]	690	690	690	690	690	690
Max. Cable Size (Solid/Stranded) [mm ²]	10	10	10	35	35	35
Rated Cond. Short Circuit Current [A]	20 I _e	20 I _e	20 I _e	20 I _e	20 I _e	20 I _e
Short Time Withstand Current 415V 1 sec. [A]	12 I _e	12 I _e	12 I _e	12 I _e	12 I _e	12 I _e
Rated Make/Break Capacity [A]	8 I _e	8 I _e	8 I _e	8 I _e	8 I _e	8 I _e
Protection Degree	IP65	IP65	IP65	IP65	IP65	IP65
Tightening Torque [Nm]	2	2	2	3	3	3
Mechanical Life [10 ³]	10	10	10	10	10	10
Weight [kg]	0.75	0.75	0.75	1.85	1.85	1.85



Technical Data SE Enclosures

IP44

IP56



- High Strength Polymer Material
- IP44 to IP56 Protection Rating
- Double-Insulated to CEI 64-8 Standard
- CEI 23/48 Compliant for Household Use
- Resistant to Chemical Agents
- Quick-Release Hinged Lid (SE09 & SE10)
- Stainless Steel Locking Screws (SE04 to SE08)
- Pre-Moulded DIN Rail Slots
- 20mm² Gland Knockouts (SE02 & SE03)
- Solid Wall (SE04 to SE10) for Flexible Gland Positioning

ORDERING INFORMATION

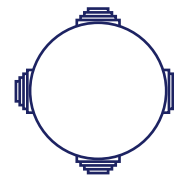
Part Number	Description	Pack Qty	Carton Size
SE02	Round enclosure, clip-on lid inc. glands	5 pcs	160 pcs
SE03	Enclosure, clip-on lid, inc. glands	5 pcs	160 pcs
SE04	Enclosure, screw lid	1 pc	100 pcs
SE05	Enclosure, screw lid	1 pc	100 pcs
SE06	Enclosure, screw lid	1 pc	45 pcs
SE07	Enclosure, screw lid	1 pc	32 pcs
SE08	Enclosure, screw lid	1 pc	10 pcs
SE09	Enclosure, hinged screw lid	1 pc	6 pcs
SE10	Enclosure, hinged screw lid	1 pc	6 pcs

DIMENSIONS (mm)

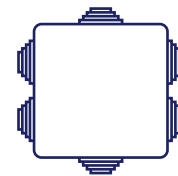
Part Number	Height	Width	Depth
SE02	Ø 80 x 40		
SE03	80	80	50
SE04	100	100	50
SE05	80	120	50
SE06	110	150	70
SE07	140	190	70
SE08	190	240	90
SE09	220	300	120
SE10	300	380	120

GENERAL INFORMATION

Enclosure Material	High Strength Polymer
Self-Extinguishing Factor	G.W. 650°
IK Factor at 20°C	IK04 / IK08
Approvals	UKCA, CE
Compliance	CEI64-8, CEI 23/48, CEI EN 60 670-1, CEI EN 60 670-202, RoHS



SE02



SE03

SE02 & SE03 enclosures are supplied with pre-drilled 20mm² gland knockouts with soft rubber plugs that can be pierced for a cable to pass through, or removed if a separate cable gland is to be used.

TECHNICAL SPECIFICATION

Part Number	SE02	SE03	SE04	SE05	SE06	SE07	SE08	SE09	SE10
IP Protection Rating	IP44	IP44	IP56	IP56	IP56	IP56	IP56	IP56	IP56
Stainless Steel Locking Screws	-	-	Yes	Yes	Yes	Yes	Yes	-	-
Plastic Locking Screws	-	-	-	-	-	-	-	Yes	Yes
Lid Type	Clip-on	Clip-on	Screw	Screw	Screw	Screw	Screw	Screw	Screw
Hinged Lid	-	-	-	-	-	-	-	Yes	Yes
Cable Gland Knockouts	4 x 20mm	6 x 20mm	-	-	-	-	-	-	-



Technical Data

SE Enclosure Metal Base Plates



- Base Plates for SE07 - SE10 Enclosures
- 1.5mm Zinc -Coated Metal Construction

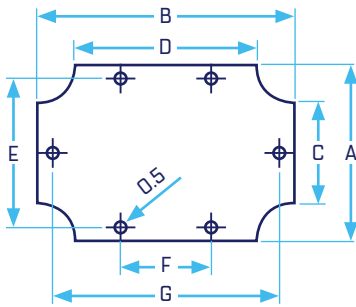
BASE PLATE ORDERING INFORMATION

Part Number	Features
SEBP07	Base Plate for SE07 Enclosure
SEBP08	Base Plate for SE08 Enclosure
SEBP09	Base Plate for SE09 Enclosure
SEBP10	Base Plate for SE10 Enclosure

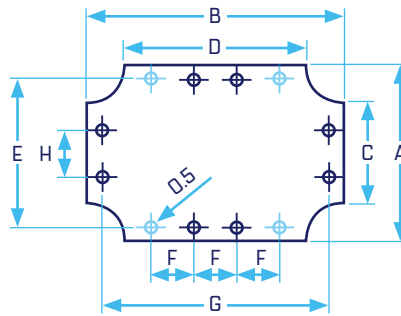
BASE PLATE DIMENSIONS (mm)

Part Number	A	B	C	D	E	F	G	H	I
SEBP07	130	170	80	120	117	55	157	-	-
SEBP08	178	222	122	166	160	60	210	55	-
SEBP09	207	287	150	230	195	62	275	62	-
SEBP10	282	362	230	250	262	80	345	62	62

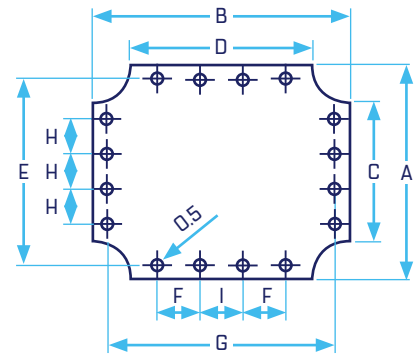
SEBP07



SEBP08/09



SEBP10



SEBP08 has 8 fixing holes (shown in dark blue).
SEBP09 includes the additional two fixing holes on top and bottom (shown in light blue) giving a total of 12 fixing holes.



Technical Data

SST Mechanical Staircase Time Switch

IP20



- Mechanical Staircase Time Switch
- Countdown from 30sec. - 20min.
- Electronic Overload Protection
- DIN Rail Mounting (TS 35)
- External Push Switch Control
- Toggle Switch for Permanent Light

ORDERING INFORMATION

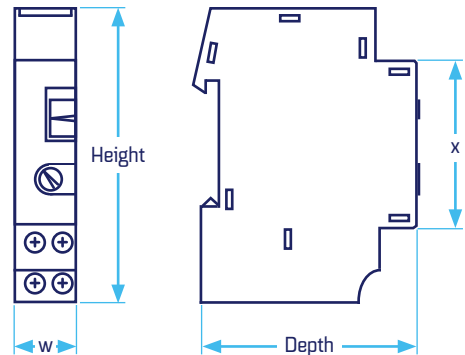
Part Number	Features
SST-5-1C	Timer with Countdown

DIMENSIONS (mm)

Part Number	Height	Width [w]	Depth	x
SST-5-1C	81.5	18.0	66.0	45.0

GENERAL INFORMATION

Enclosure Material	Self-Extinguishing Thermoplastic
Protection Class	Class II According to EN 60730-1
Ingress Protection	IP20
Approvals	UKCA, CE, RoHS
Mounting Type	DIN Rail (TS 35)



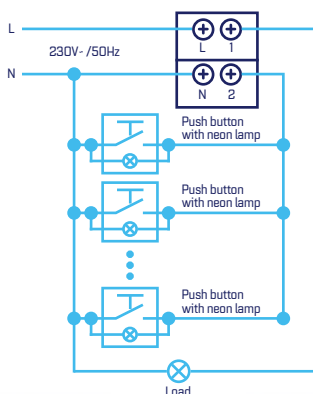
TECHNICAL SPECIFICATION

Part Number	SST-5-1C
Supply Voltage	220V AC, 50/60Hz
Switching Capacity (Resistive Load)	16A / 250V - at $\cos \phi = 1$
Switching Capacity (Inductive Load)	10A / 250V - at $\cos \phi = 0.6$
1/2-Way Conductors	Automatic
Countdown Range	30sec. - 20mins.
	0 - 20mins. (± 150 secs.)
	0 - 30secs. (± 3 secs.)
Power Consumption	4VA
Switching Output	Potential Free & Phase Independent
Glow Lamp Load	150mA max.
Ambient Operating Temperature	-10°C to + 50°C

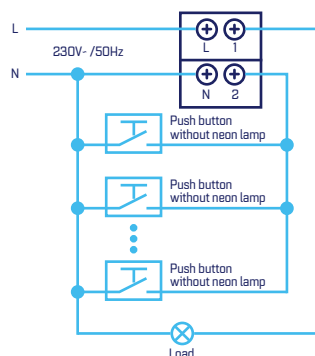
Max. Recommended Load (10,000 Ops)	SST-5-1C
LED Lamp <2W	20W
LED Lamp 2-8W	55W
LED Lamp >8W	70W
Filament/Halogen Lamp 230V	2300W
Energy Saving Lamp	90W
Flourescent Lamp (Electronic Ballast)	230W

WIRING DIAGRAM

With Neon Lamp



Without Neon Lamp





Technical Data

SMT Mechanical Time Switch



- General Purpose Mechanical Time Switch
- Daily Program (ON/AUTO/Continuous OFF)
- 96 Switching Segments
- DIN Rail Mounting (TS 35)
- Quartz Controlled
- Manual Switch with 3 Positions
- 72 Hour Rechargeable Battery Backup (3 Days)

ORDERING INFORMATION

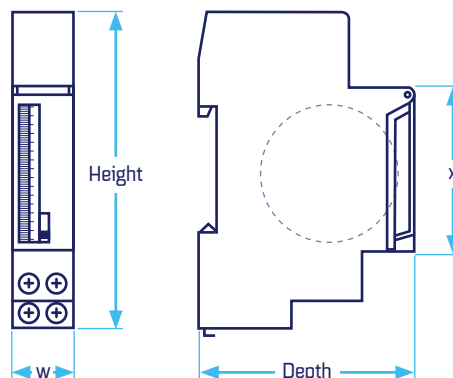
Part Number	Features
SMT-96-1C	Daily Timer with 3 Day Battery Backup

DIMENSIONS (mm)

Part Number	Height	Width [w]	Depth	x
SMT-96-1C	92.75	18.0	65.65	45.5

GENERAL INFORMATION

Enclosure Material	Self-Extinguishing Thermoplastic
Protection Class	Class II According to EN 60730-1
Ingress Protection	IP20
Approvals	UKCA, CE, RoHS
Mounting Type	DIN Rail (TS 35)

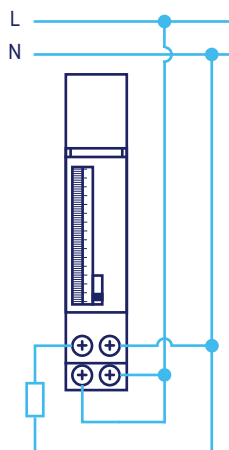


TECHNICAL SPECIFICATION

Part Number	SMT-96-1C
Supply Voltage	220V AC, 50/60Hz
Switching Capacity (Resistive Load)	16A / 250V - at $\cos \phi = 1$
Switching Capacity (Inductive Load)	4A / 250V - at $\cos \phi = 0.6$
Number of Switching Segments	96 x 15mins.
Time Accuracy at 25°C	Typical $\pm 2s/day$ (quartz)
Power Consumption	1VA
Power Reserve	3 days (72 hrs)
Switching Output	Potential Free & Phase Independent
Shortest Switching Time	15 mins
Ambient Operating Temperature	-10°C to + 50°C

Max. Recommended Load (10,000 Ops)	SMT-96-1C
LED Lamp <2W	30W
LED Lamp 2-8W	100W
LED Lamp >8W	120W
Filament/Halogen Lamp 230V	2600W
Energy Saving Lamp	170W

WIRING DIAGRAM





Technical Data

SDT Digital Time Switch



- General Purpose Digital Time Switches
- Daily, Weekly, Random & Holiday Programs*
- Repeat Program (Multiple Daily Settings)
- DIN Rail Mounting (TS 35)
- Backlit LCD Display*
- Battery Backup (up to 5 years)
- Manual Override Button
- LED Indicator
- 20Amps* Max. Switching Current (Resistive)

* Model dependant

ORDERING INFORMATION

Part Number	Relay	Features
SDT-20-1C	1 x 16A	24Hr / 7 Day
SDTC-20-1C	1 x 20A	24Hr / 7 Day, Data Copy Card
SDT-58-2C	2 x 16A	24Hr / 7 Day
SDTA-58-2C	2 x 16A	24Hr / 7 Day, Advanced Functions
STDK1	-	Copy Key for SDTC-20-1C

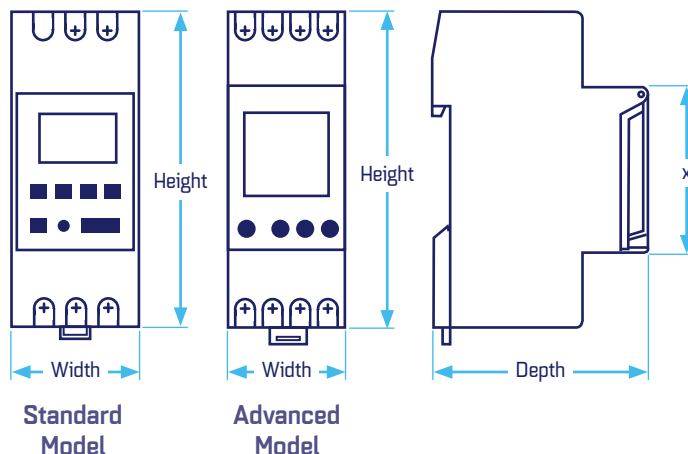
DIMENSIONS (mm)

Part Number	Height	Width	Depth	x
SDT-20-1C	86.5	36.0	65.5	45.5
SDTC-20-1C	86.5	36.0	65.5	45.5
SDT-58-2C	86.5	36.0	65.5	45.5
SDTA-58-2C	86.5	36.0	65.5	45.5

GENERAL INFORMATION

Enclosure Material	Self-Extinguishing Polycarbonate
Protection Class	Class II According to EN 60730-1
Ingress Protection	IP20
Approvals	UKCA, CE, RoHS
Mounting Type	DIN Rail (TS 35)

Time Switch wiring diagrams are available upon request.
Please email sales@stag-electrical.com



TECHNICAL SPECIFICATION

Part Number	SDT-20-1C	SDTC-20-1C	SDT-58-2C	SDTA-58-2C
LCD Screen	Standard	Standard	Advanced	Advanced
Number of ON/OFF Programmes	20	20	58	58
Switching Capacity (Resistive Load)	16A/250V at Cos ϕ · 1	20A/250V at Cos ϕ · 1	16A/250V at Cos ϕ · 1	16A/250V at Cos ϕ · 1
Switching Capacity (Inductive Load)	3A/250V at Cos ϕ · 0.6	3A/250V at Cos ϕ · 0.6	3A/250V at Cos ϕ · 0.6	3A/250V at Cos ϕ · 0.6
Incandescent/Halogen Lamp Load 230V	2600W	2600W	2600W	2600W
Energy Saving Lamp	170W	170W	170W	170W
LED Lamp <2W	30W	30W	30W	30W
LED Lamp 2-8W	100W	100W	100W	100W
LED Lamp >8W	120W	120W	120W	120W
Flourescent Lamp (Electronic Ballast)	650W	650W	650W	650W
Time Accuracy at 25°C	Typical \pm 2s/day (quartz)		Typical \pm 1s/day (quartz)	
Power Consumption	2VA	4VA	10VA (max.)	10VA (max.)
Supply Voltage	85 to 265V, 50/60Hz		220V AC, 50/60Hz	
Output Relay	250VAC 16A Resistive	250VAC 20A Resistive	250VAC 16A Resistive	250VAC 16A Resistive
Relay Type	SPCO	SPCO	2 x SPCO	2 x SPCO
Minimum Switching Time	1 sec.	1 sec.	1 min.	1 min.
Ambient Operating Temperature	-10°C to + 50°C	-10°C to + 50°C	-10°C to + 50°C	-10°C to + 50°C
Battery Life	Approx. 5 Years	Approx. 5 Years	Approx. 5 Years	Approx. 5 Years
Backlit LCD Display	No	No	Yes	Yes



Technical Data

SWC Waterproof Connectors



IP68



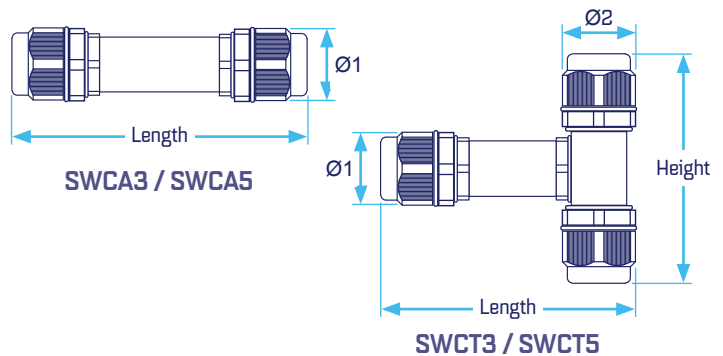
- 3 & 5 way waterproof connectors
- Straight & 'T' types
- 16A & 25A connections
- IP68 protection rating
- PA66 body
- High performance silicone gland seals
- 2-part gland seal for cable capacity 4 - 11mm

ORDERING INFORMATION

Part Number	Body Type	No. of Terminals
SWCA3	Straight	3 Way
SWCA5	Straight	5 Way
SWCT3	'T'	3 Way
SWCT5	'T'	5 Way

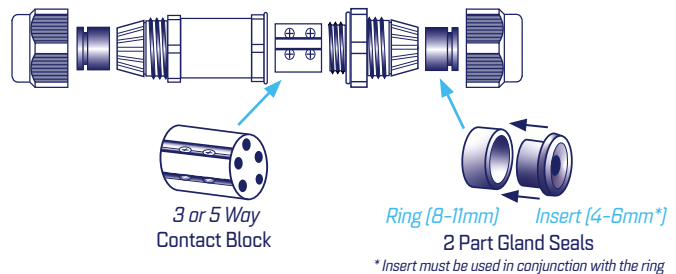
DIMENSIONS [mm]

Part Number	Length	Height	Diameter Ø1	Diameter Ø2
SWCA3	100.0	-	26.0	-
SWCA5	115.0	-	32.0	-
SWCT3 / SWCT5	110.0	90.0	32.0	26.0



GENERAL INFORMATION

Body Material	PA66, Black
Terminal Material	Nickel-plated Brass
Screw Material	Steel
Gland Seal Material	Silicone
Ingress Protection	IP68
Approvals	UKCA, CE



TECHNICAL SPECIFICATION

Part Number	SWCA3	SWCA5	SWCT3	SWCT5
Connector Type	Straight	Straight	'T' Type	'T' Type
Number of Terminals	3	5	3	5
Terminal Material	Nickel-plated Brass	Nickel-plated Brass	Nickel-plated Brass	Nickel-plated Brass
Screw Material	Steel	Steel	Steel	Steel
Current Carrying at 450V	25A	16A/20A*	16A	16A
Ingress Protection	IP68	IP68	IP68	IP68
Gland Cable Capacity - Ring	8-11mm	8-11mm	8-11mm	8-11mm
Gland Cable Capacity - Ring + Insert	4-6mm	4-6mm	4-6mm	4-6mm
Wire Capacity	0.5-4mm ²	0.5-2.5mm ²	0.5-2.5mm ²	0.5-2.5mm ²
Terminal Tightening Torque	0.6Nm	0.6Nm	0.6Nm	0.6Nm
Operating Temperature	-40 to +85°C	-40 to +85°C	-40 to +85°C	-40 to +85°C

* 20A @ 240VAC using 2.5mm cable



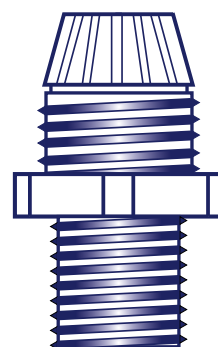
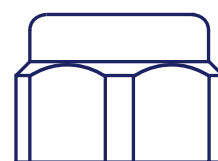
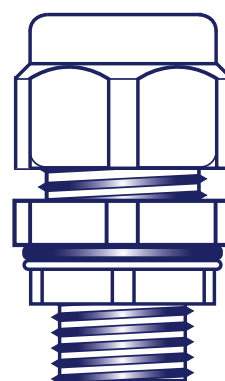
Technical Data SCG Cable Glands



- High Strength Nylon Material
- Metric Thread
- Includes Sealing Washer & Nut
- IP68 Protection Rating
- Available in White, Grey, Black & Red
- Available in M12 to M63 sizes

ORDERING INFORMATION

Part Number	Cable Clamp Range	Knockout Size	Colour	Pack Qty	Carton Size
SCG/M12-W	3mm - 6.5mm	M12	White	10 pcs	5000 pcs
SCG/M12-G	3mm - 6.5mm	M12	Grey	10 pcs	5000 pcs
SCG/M12-B	3mm - 6.5mm	M12	Black	10 pcs	5000 pcs
SCG/M12-R	3mm - 6.5mm	M12	Red	10 pcs	5000 pcs
SCG/M16-W	4mm - 8mm	M16	White	10 pcs	3000 pcs
SCG/M16-G	4mm - 8mm	M16	Grey	10 pcs	3000 pcs
SCG/M16-B	4mm - 8mm	M16	Black	10 pcs	3000 pcs
SCG/M16-R	4mm - 8mm	M16	Red	10 pcs	3000 pcs
SCG/M20-W	6mm - 12mm	M20	White	10 pcs	2000 pcs
SCG/M20-G	6mm - 12mm	M20	Grey	10 pcs	2000 pcs
SCG/M20-B	6mm - 12mm	M20	Black	10 pcs	2000 pcs
SCG/M20-R	6mm - 12mm	M20	Red	10 pcs	2000 pcs
SCG/M20L-W	10mm - 14mm	M20	White	10 pcs	2000 pcs
SCG/M20L-G	10mm - 14mm	M20	Grey	10 pcs	2000 pcs
SCG/M20L-B	10mm - 14mm	M20	Black	10 pcs	2000 pcs
SCG/M20L-R	10mm - 14mm	M20	Red	10 pcs	2000 pcs
SCG/M25-W	12mm - 15mm	M25	White	10 pcs	1000 pcs
SCG/M25-G	12mm - 15mm	M25	Grey	10 pcs	1000 pcs
SCG/M25-B	12mm - 15mm	M25	Black	10 pcs	1000 pcs
SCG/M25-R	12mm - 15mm	M25	Red	10 pcs	1000 pcs
SCG/M25L-W	14mm - 18mm	M25	White	10 pcs	1000 pcs
SCG/M25L-G	14mm - 18mm	M25	Grey	10 pcs	1000 pcs
SCG/M25L-B	14mm - 18mm	M25	Black	10 pcs	1000 pcs
SCG/M25L-R	14mm - 18mm	M25	Red	10 pcs	1000 pcs
SCG/M32-W	16mm - 21mm	M32	White	5 pcs	1000 pcs
SCG/M32-G	16mm - 21mm	M32	Grey	5 pcs	1000 pcs
SCG/M32-B	16mm - 21mm	M32	Black	5 pcs	1000 pcs
SCG/M32-R	16mm - 21mm	M32	Red	5 pcs	1000 pcs
SCG/M40-W	24mm - 32mm	M40	White	5 pcs	200 pcs
SCG/M40-G	24mm - 32mm	M40	Grey	5 pcs	200 pcs
SCG/M40-B	24mm - 32mm	M40	Black	5 pcs	200 pcs
SCG/M40-R	24mm - 32mm	M40	Red	5 pcs	200 pcs
SCG/M50-W	32mm - 38mm	M50	White	3 pcs	200 pcs
SCG/M50-G	32mm - 38mm	M50	Grey	3 pcs	200 pcs
SCG/M50-B	32mm - 38mm	M50	Black	3 pcs	200 pcs
SCG/M50-R	32mm - 38mm	M50	Red	3 pcs	200 pcs
SCG/M63-W	37mm - 44mm	M63	White	1 pc	200 pcs
SCG/M63-G	37mm - 44mm	M63	Grey	1 pc	200 pcs
SCG/M63-B	37mm - 44mm	M63	Black	1 pc	200 pcs
SCG/M63-R	37mm - 44mm	M63	Red	1 pc	200 pcs





Technical Data

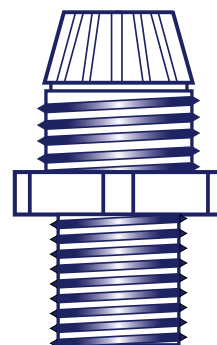
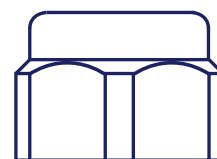
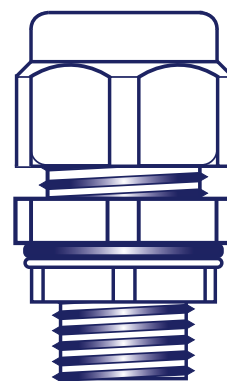
SCG PG Cable Glands



- High Strength Nylon Material
- PG Thread
- Includes Sealing Washer & Nut
- IP68 Protection Rating
- Available in Grey
- Available in PG7 to PG36 sizes

ORDERING INFORMATION

Part Number	Cable Clamp Range	Knockout Size	Colour	Pack Qty	Carton Size
SCG/PG7-G	3mm - 6.5mm	12.5mm	Grey	10 pcs	1000 pcs
SCG/PG9-G	4mm - 8mm	15.2mm	Grey	10 pcs	1000 pcs
SCG/PG11-G	5mm - 10mm	18.6mm	Grey	10 pcs	500 pcs
SCG/PG13.5-G	6mm - 12mm	20.4mm	Grey	10 pcs	500 pcs
SCG/PG16-G	10mm - 14mm	22.5mm	Grey	10 pcs	500 pcs
SCG/PG21-G	14mm - 18mm	28.3mm	Grey	10 pcs	500 pcs
SCG/PG29-G	18mm - 25mm	37mm	Grey	10 pcs	500 pcs
SCG/PG36-G	24mm - 32mm	47mm	Grey	10 pcs	500 pcs





Technical Data

SGB Gel Boxes



IPX8



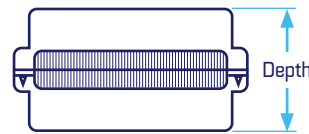
- 3 sizes of gel box
- 3 wiring entrances
- IPX8 protection rating
- Halogen-free construction
- UV resistant PA66
- Pre-filled with non-toxic gel with no shelf life
- EN 50393 compliant
- Applicable for subterranean and submerged applications up to 3m depth

ORDERING INFORMATION

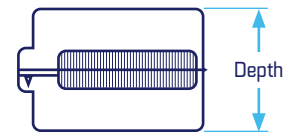
Part Number	Colour	Pack Quantity
SGB-01	Orange	4 pcs
SGB-02	Blue	2 pcs
SGB-03	Yellow	1 pc

DIMENSIONS [mm]

Part Number	Length	Width	Depth
SGB-01	41.0	28.0	19.0
SGB-02	45.0	37.0	24.0
SGB-03	53.0	39.0	24.0



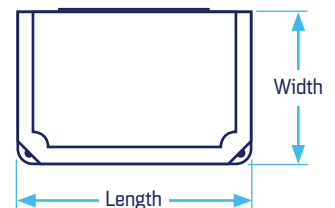
SGB-XX Front View



SGB-XX Side View

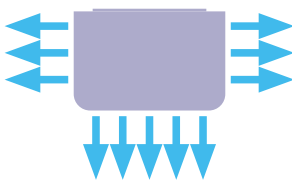
GENERAL INFORMATION

Body Material	PA66, Orange/Blue/Yellow
Ingress Protection	IPX8
Gel Filling	Non-toxic Gel (UL94-HB)
Submersible	Yes (up to 3m depth)
Approvals	UKCA, CE
Operating Temperature	-40 to +50°C



SGB-XX Top View

WIRING ENTRY / EXIT POINTS



via Clamping Wire Curtain



SGB-01 Connector Solution
1x SLC-2W
1x SPC-2W

SGB-02 Connector Solution
2x SLC-2W
1x SLC-3W
1x SLC-5W
1x SLC-2W & 1x SLC-3W
1x SPC-5W
1x SPC-2W & 1x SPC-3W
2x SPC-2W

SGB-03 Connector Solution
1x SLC-5W
1x SLC-2W & 1x SLC-3W
1x SPC-5W
1x SPC-2W & 1x SPC-3W
3x SLC-2W
3x SPC-2W
2x SLC-3W
2x SPC-3W



Technical Data

SLC Screwless Lever Connectors



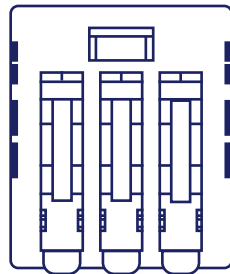
- Easy Release Lever
- Compact & Durable
- 2, 3 and 5 Way Connector Options
- Solid Wire Range: 0.2mm² - 4mm²
- Stranded Wire Range: 0.2mm² - 2.5mm²
- Spring Clamp Connection System
- Ideal for use with SGB Gel Box range

ORDERING INFORMATION

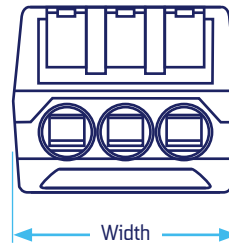
Part Number	No. of Ways	Pack Quantity
SLC-2W	2 Way	10 pcs
SLC-3W	3 Way	10 pcs
SLC-5W	5 Way	10 pcs

DIMENSIONS (mm)

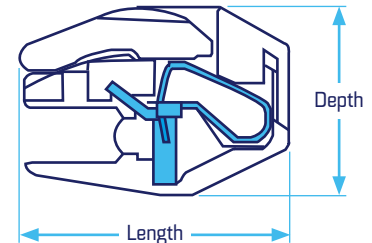
Part Number	Length	Width	Depth
SLC-2W	20.50	12.80	14.52
SLC-3W	20.50	17.40	14.52
SLC-5W	20.50	26.60	14.52



SLC Top View



SLC Front View



SLC Side View

GENERAL INFORMATION

Enclosure Material	Self-Extinguishing Thermoplastic
Protection Class	Class II According to EN 60730-1
Approvals	UKCA, CE, RoHS
Connection Type	Spring Clamp

Spring Clamp System

The stainless steel spring presses the conductor directly against the current bar. Due to the special construction of the clamping body, the contact force is further increased when pulling the conductor.

TECHNICAL SPECIFICATION

Part Number	SLC
Rated Voltage (UL)	300V
Rated Voltage (IEC)	450V
Rated Current	32A
Withstand Voltage	AC2200V, 1min.
Insulation Resistance	up to DC500V 500MΩ
Wiring Capacity (Solid Wire)	0.2 - 4.0mm ² [24-12AWG]
Wiring Capacity (Stranded Wire)	0.2 - 2.5mm ² [24-14AWG]
Stripping Length	9mm
No of Ways	2, 3, 5
Operating Temperature	-40°C to +70°C



Technical Data

SPC Screwless Push/Pull Connectors



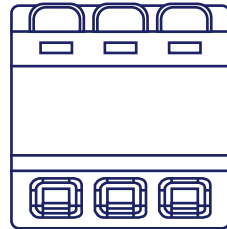
- Easy Release Push/Pull Lever
- Compact & Durable
- 2, 3 and 5 Way Connector Options
- Solid/Stranded Wire Range: 0.2mm² - 4mm²
- Spring Clamp Connection System
- Ideal for use with SGB Gel Box range

ORDERING INFORMATION

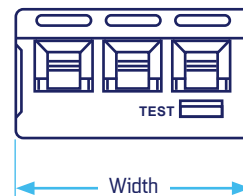
Part Number	No. of Ways	Pack Quantity
SPC-2W	2 Way	10 pcs
SPC-3W	3 Way	10 pcs
SPC-5W	5 Way	10 pcs

DIMENSIONS (mm)

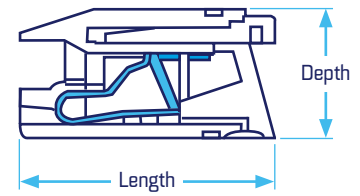
Part Number	Length	Width	Depth
SPC-2W	19.70	13.60	10.10
SPC-3W	19.70	19.20	10.10
SPC-5W	19.70	30.40	10.10



SLC Top View



SLC Front View



SLC Side View

GENERAL INFORMATION

Enclosure Material	Self-Extinguishing Thermoplastic
Protection Class	Class II According to EN 60730-1
Approvals	UKCA, CE, RoHS
Connection Type	Spring Clamp

Spring Clamp System

The stainless steel spring presses the conductor directly against the current bar. Due to the special construction of the clamping body, the contact force is further increased when pulling the conductor.

TECHNICAL SPECIFICATION

Part Number	SPC
Rated Voltage (UL)	600V
Rated Voltage (IEC)	450V
Rated Current	32A
Withstand Voltage	AC3400V, 1min.
Insulation Resistance	up to DC500V 500MΩ
Wiring Capacity (Solid Wire)	0.2 - 4.0mm ² (24-12AWG)
Wiring Capacity (Stranded Wire)	0.2 - 4.0mm ² (24-12AWG)
Stripping Length	11mm
No of Ways	2, 3, 5
Operating Temperature	-40°C to + 70°C



Technical Data

PLGT LED Pilot Lights



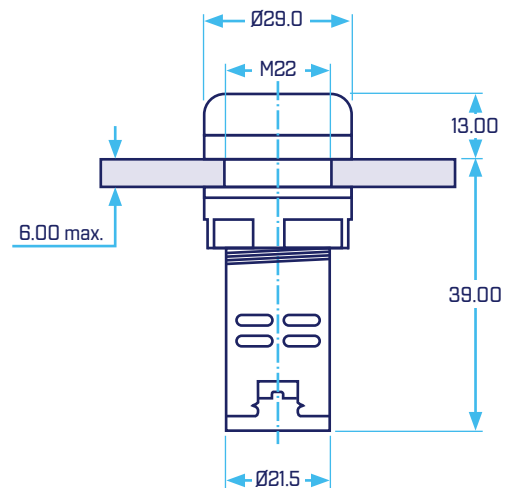
- 22.5mm Single Hole Mounting
- IP67 Protection Rating
- 12VAC/DC, 24VAC/DC, 110VAC/DC & 230VAC
- Multi-chip LED integrated onto light surface
- Temperature Range: -25°C to +55°C
- Brightness $\geq 60\text{cd/m}^2$
- Available in 5 colours: Red; Green; Blue; Orange; White

ORDERING INFORMATION

Part Number	Voltage Rating	Colour
PLGT-12-RED	12VAC/DC	Red
PLGT-12-GREEN		Green
PLGT-12-BLUE		Blue
PLGT-12-ORANGE		Orange
PLGT-12-WHITE		White
PLGT-24-RED	24VAC/DC	Red
PLGT-24-GREEN		Green
PLGT-24-BLUE		Blue
PLGT-24-ORANGE		Orange
PLGT-24-WHITE		White
PLGT-110-RED	110VAC/DC	Red
PLGT-110-GREEN		Green
PLGT-110-BLUE		Blue
PLGT-110-ORANGE		Orange
PLGT-110-WHITE		White
PLGT-230AC-RED	230VAC	Red
PLGT-230AC-GREEN		Green
PLGT-230AC-BLUE		Blue
PLGT-230AC-ORANGE		Orange
PLGT-230AC-WHITE		White

DIMENSIONS [mm]

Part Number	Total Length	Lens Diameter	Mounting Hole
PLGT-XX-XX	52.00	29.00	M22



TECHNICAL SPECIFICATION

Part Number	PLGT
Fixing Hole Diameter	22.5mm
Insulation Resistance	$\geq 2\text{M}\Omega$
AC Voltage Tolerance	$\pm 20\%$
AC Frequency	50-60Hz
Electrical Life	> 30,000 hours
Brightness	$\geq 60\text{cd/m}^2$
Protection Rating	IP67
Temperature Range	-25°C to +55°C
Vibration Resistance	2 - 80Hz, 0.7g/h



Technical Data

PLGT-T LED Pilot Lights



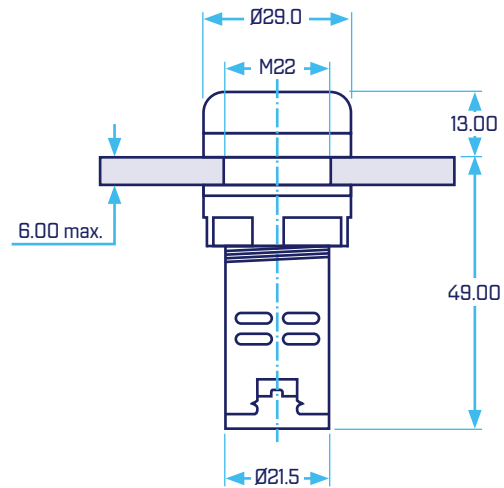
- 22.5mm Single Hole Mounting
- IP67 Protection Rating
- Test Function
- 12VAC/DC, 24VAC/DC, 110VAC/DC & 230VAC
- Multi-chip LED integrated onto light surface
- Temperature Range: -25°C to +55°C
- Brightness $\geq 60\text{cd/m}^2$
- Available in 5 colours: Red; Green; Blue; Orange; White

ORDERING INFORMATION

Part Number	Voltage Rating	Colour
PLGT-24AC/DC-RD	24VAC/DC	Red
PLGT-24AC/DC-GN		Green
PLGT-24AC/DC-BL		Blue
PLGT-24AC/DC-OR		Orange
PLGT-24AC/DC-WT		White
PLGT-110AC/DC-RD	110VAC/DC	Red
PLGT-110AC/DC-GN		Green
PLGT-110AC/DC-BL		Blue
PLGT-110AC/DC-OR		Orange
PLGT-110AC/DC-WT		White
PLGT-230AC/DC-RD	230VAC	Red
PLGT-230AC/DC-GN		Green
PLGT-230AC/DC-BL		Blue
PLGT-230AC/DC-OR		Orange
PLGT-230AC/DC-WT		White

DIMENSIONS [mm]

Part Number	Total Length	Lens Diameter	Mounting Hole
PLGT-T-XXAC/DC-XX	62.00	29.00	M22



TECHNICAL SPECIFICATION

Part Number	PLGT-T
Fixing Hole Diameter	22.5mm
Insulation Resistance	$\geq 2\text{M}\Omega$
AC Voltage Tolerance	$\pm 20\%$
AC Frequency	50-60Hz
Electrical Life	> 30,000 hours
Brightness	$\geq 60\text{cd/m}^2$
Protection Rating	IP67
Temperature Range	-25°C to +55°C
Vibration Resistance	2 - 80Hz, 0.7g/h

WIRING SCHEMATIC





Technical Data

BZR Buzzers



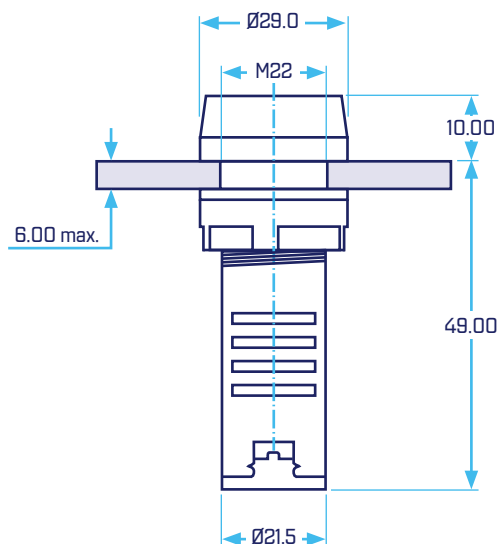
- 22.5mm Single Hole Mounting
- IP40 Protection Rating
- 24VAC/DC, 110VAC/DC & 230VAC
- Polycarbonate Body & Lens
- Temperature Range: -5°C to +40°C
- Intermittent sound output: 80-85dB
- Intermittent Red LED Option

ORDERING INFORMATION

Part Number	Voltage Rating	Description
BZR-12	12VAC/DC	Buzzer
BZRL-12		Buzzer with LED
BZR-24	24VAC/DC	Buzzer
BZRL-24		Buzzer with LED
BZR-110	110VAC/DC	Buzzer
BZRL-110		Buzzer with LED
BZR-230AC	230VAC	Buzzer
BZRL-230AC		Buzzer with LED

DIMENSIONS (mm)

Part Number	Total Length	Lens Diameter	Mounting Hole
BZR/BZRL	59.00	29.00	M22



GENERAL INFORMATION

Outer Material	Polycarbonate
Approvals	UKCA, CE, RoHS
Connection Type	Screw Clamp
Mounting Type	Panel Mount

TECHNICAL SPECIFICATION

Part Number	BZR	BZRL
Fixing Hole Diameter	22.5mm	
Loudness	80-85dB	
Alert Frequency	Sound Only: 0.75Hz (45 times per min.)	Sound & Light: 0.5Hz (approx 30 times per min.)
Brightness	n/a	≥20cd/m ²
Electrical Life	≥30,000 hours	
Max. Power Consumption	12VAC/DC	0.36W
	24VAC/DC	0.72W
	110VAC/DC	3.3W
	230VAC	6.9W
Protection Rating	IP40	
Temperature Range	-5°C to +40°C	



STAG
ELECTRICAL

is now on

LinkedIn

*follow us and join in
the conversation*



Ref: CAT-STAGRANGE-1123v16



STAG
Quality at low prices

Stag Electrical
*The Interchange, Frobisher Way, Hatfield,
Hertfordshire AL10 9TG United Kingdom
Email: sales@stag-electrical.com*

www.stag-electrical.com