



Technical Data

IS4P Enclosed Rotary Isolators

IP65



- 4 Pole Range available from 20A to 150A
- IP65 Protection Rating (enclosure)
- EN 60947-3 Compliant
- 3 Sizes of Enclosure
- Multiple Gland Knockouts
- Lockable Rotary Handle
- Flame Retardant
- External Mounting Points
- Additional Earth Connection
- Interlocked Enclosure Lid

ORDERING INFORMATION

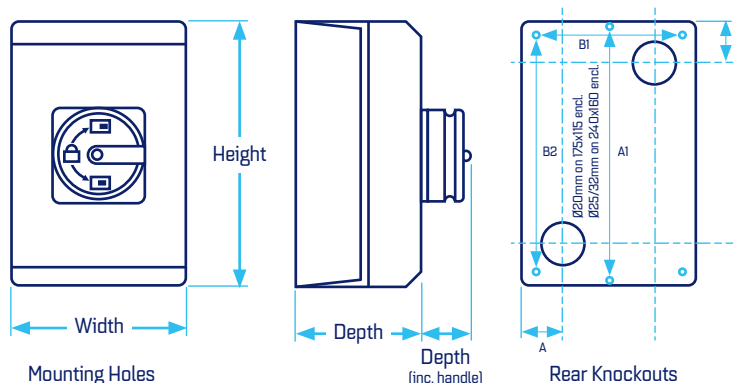
Part Number	Current I _e (AC21)	Rated Operating Voltage	Poles
IS4P20	20A	230 - 440V	4
IS4P20L	20A	230 - 440V	4
IS4P32	32A	230 - 440V	4
IS4P32L	32A	230 - 440V	4
IS4P40	40A	230 - 440V	4
IS4P63	63A	230 - 440V	4
IS4P80	80A	230 - 440V	4
IS4P100	100A	230 - 440V	4
IS4P125	125A	230 - 440V	4
IS4P150	150A	230 - 440V	4

DIMENSIONS (mm)

Part Number	Height	Width	Depth	Depth inc. Handle	Gland Knockouts
IS4P20	125	100	85	120	M20/25
IS4P20L	175	115	100	135	M20/25
IS4P32	125	100	85	120	M20/25
IS4P32L	175	115	100	135	M20/25
IS4P40	175	115	100	135	M20/25
IS4P63	175	115	100	135	M20/25
IS4P80	240	160	120	165	M20/25/32
IS4P100	240	160	120	165	M20/25/32
IS4P125	240	160	120	165	M20/25/32
IS4P150	240	160	120	165	M20/25/32

GENERAL INFORMATION

Enclosure Material	Polycarbonate
Lid Screw Material	Stainless Steel
Ingress Protection	IP65 Enclosure / IP20 Body
Interlocked Handle	In ON Position
Approvals	UKCA, CE, SEMKO
Compliance	IEC EN 60947-3, RoHS



For IS4P20 & IS4P32 / IS4P20L, IS4P32L, IS4P40 & IS4P63
 A1: 115mm / 165mm
 For IS4P80, IS4P100, IS4P125 & IS4P150
 B1: 142mm, B2: 193mm

A: 27.5mm on 175x115mm enclosure
 42mm on 240x160mm enclosure
 B: 25mm on 175x115mm enclosure
 42.0mm on 240x160mm enclosure

TECHNICAL SPECIFICATION

Part Number	IS4P20	IS4P20L	IS4P32	IS4P32L	IS4P40	IS4P63	IS4P80	IS4P100	IS4P125	IS4P150
Poles	4	4	4	4	4	4	4	4	4	4
Rated Operational Current I _e (AC21) [A]	20	20	32	32	40	63	80	100	125	150
Rated Power of 3Ph Motor at 415V (AC23A) (kW)	5.5	5.5	11	11	15	22	30	37	45	70
Rated Voltage [V]	415	415	415	415	415	415	415	415	415	415
Frequency [Hz]	50/60	50/60	50/60	50/60	50/60	50/60	50/60	50/60	50/60	50/60
Rated Insulation Voltage U _i [V]	690	690	690	690	690	690	690	690	690	690
Max. Cable Size (Solid/Stranded) (mm ²)	10	10	10	10	10	16	35	35	35	35
Rated Cond. Short Circuit Current [A]	20 I _e	20 I _e	20 I _e	20 I _e	20 I _e	20 I _e	20 I _e	20 I _e	20 I _e	20 I _e
Short Time Withstand Current 415V 1 sec. [A]	12 I _e	12 I _e	12 I _e	12 I _e	12 I _e	12 I _e	12 I _e	12 I _e	12 I _e	12 I _e
Rated Make/Break Capacity [A]	8 I _e	8 I _e	8 I _e	8 I _e	8 I _e	8 I _e	8 I _e	8 I _e	8 I _e	8 I _e
Protection Degree	IP65	IP65	IP65	IP65	IP65	IP65	IP65	IP65	IP65	IP65
Tightening Torque (Contacts / Lid) (Nm)	2 / 1.2	2 / 1.2	2 / 1.2	2 / 1.2	2 / 1.2	2 / 1.2	3 / 1.2	3 / 1.2	3 / 1.2	3 / 1.2
Mechanical Life (10 ³)	10	10	10	10	10	10	10	10	10	10
Weight (kg)	0.52	0.75	0.52	0.75	0.75	0.75	1.34	1.34	1.34	1.34

For more information, email sales@stag-electrical.com



Technical Data

SAC Auxiliary Contacts

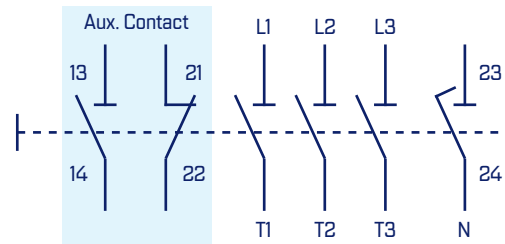


- Auxiliary Contact for Stag Rotary Isolators
- EN 60947-3 Compliant
- 3 Sizes Covering Entire Isolator Range
- Fits on Left Hand Side
- 1 NO & 1NC Contacts

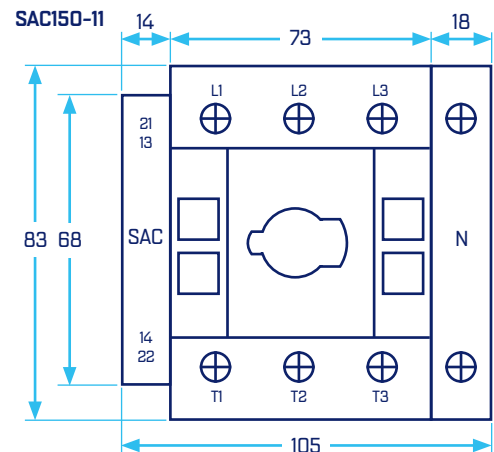
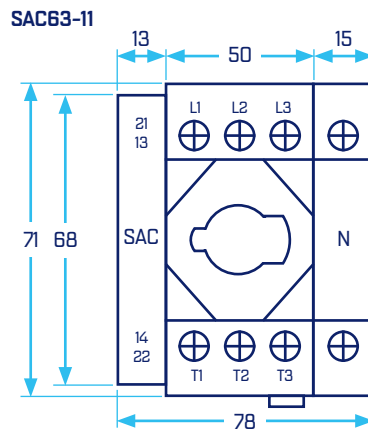
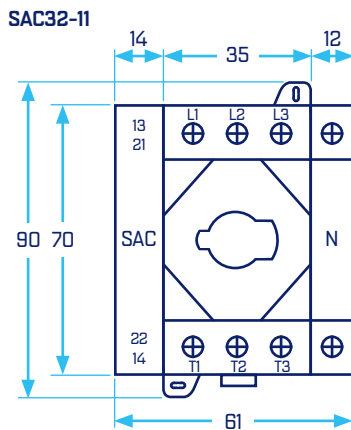
ORDERING INFORMATION

Part Number	Fits
SAC32-11	IS4P20, IS4P20L, IS4P32, IS4P32L
SAC63-11	IS4P40, IS4P63
SAC150-11	IS4P80, IS4P100, IS4P125, IS4P150

WIRING



DIMENSIONS (mm)



TECHNICAL SPECIFICATION

Part Number	SAC32-11	SAC63-11	SAC150-11
Contact Configuration	1 Normally Open (NO), 1 Normally Closed (NC)		
Rated Operational Current I_b [AC15] (A) 230V	6	6	6
Rated Operational Current I_b [DC13] (A) 125V	1.1	1.1	1.1
Rated Operational Current I_b [DC13] (A) 250V	0.55	0.55	0.55
Rated Insulation Voltage U_i (V)	500	500	500
Maximum Fuse (A) gG/gL	10	10	10
Max. Cable Size (Solid) (mm²)	0.75 - 2.5	0.75 - 2.5	0.75 - 2.5
Max. Cable Size (Flexible with Ferrule) (mm²)	0.5 - 1.5	0.5 - 1.5	0.5 - 1.5
Tightening Torque (Nm)	0.6	0.6	0.6
Control Circuit Reliability at 24V DC, 10mA (Hr)	< 10 ⁻⁵ , < 1 fault in 100,000 operations		
Compliance	IEC EN 60947-3, RoHS		
Approvals	UKCA, CE		