

Do not scale from this drawing.
The Contractor shall be responsible for checking dimensions, tolerances & references.
Discrepancies to be verified with Ecoscpae UK before commencement of works.

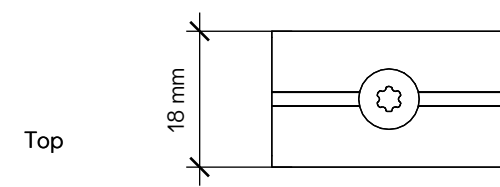
Ecoscape Locking Clip (with screw) ECO09CS (Box of 50 no.)

Material: Clip: Powdercoated Stainless Steel
Screw: Powdercoated Stainless Steel

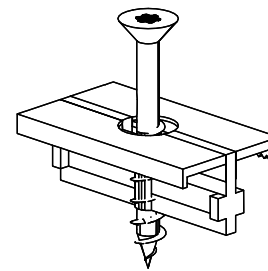
Finish: Black

Specification:
Clip: Locking Clip with pre-inserted screw.
Screw: 4.5 x 63mm Screw requires T15 screwdriver bit

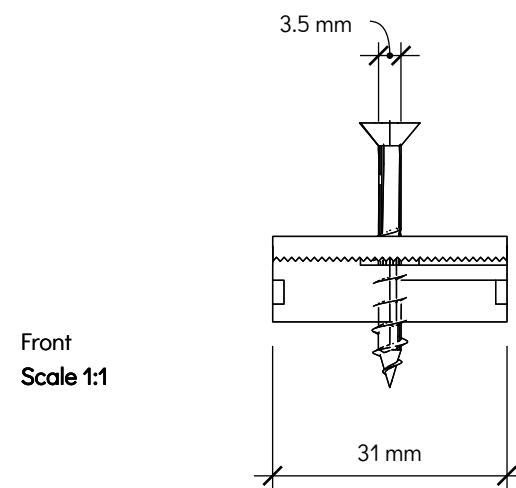
T15 Screwdriver bit supplied free with box of 250no. Hidden T-Clips
Replacement bits available: "ECO09RB" (Pack of 5)



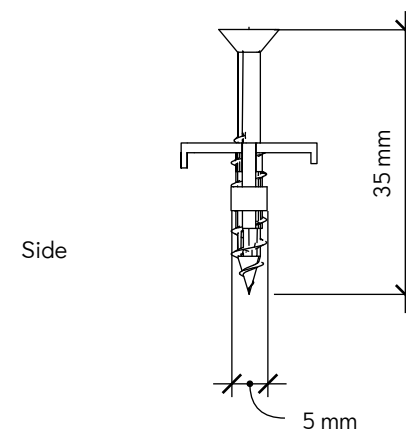
Top



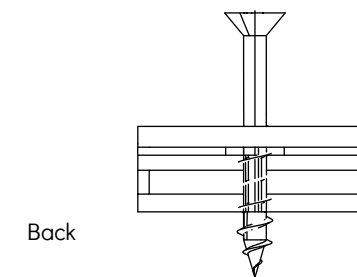
Iso
Scale 1:1



Front
Scale 1:1



Side



Back

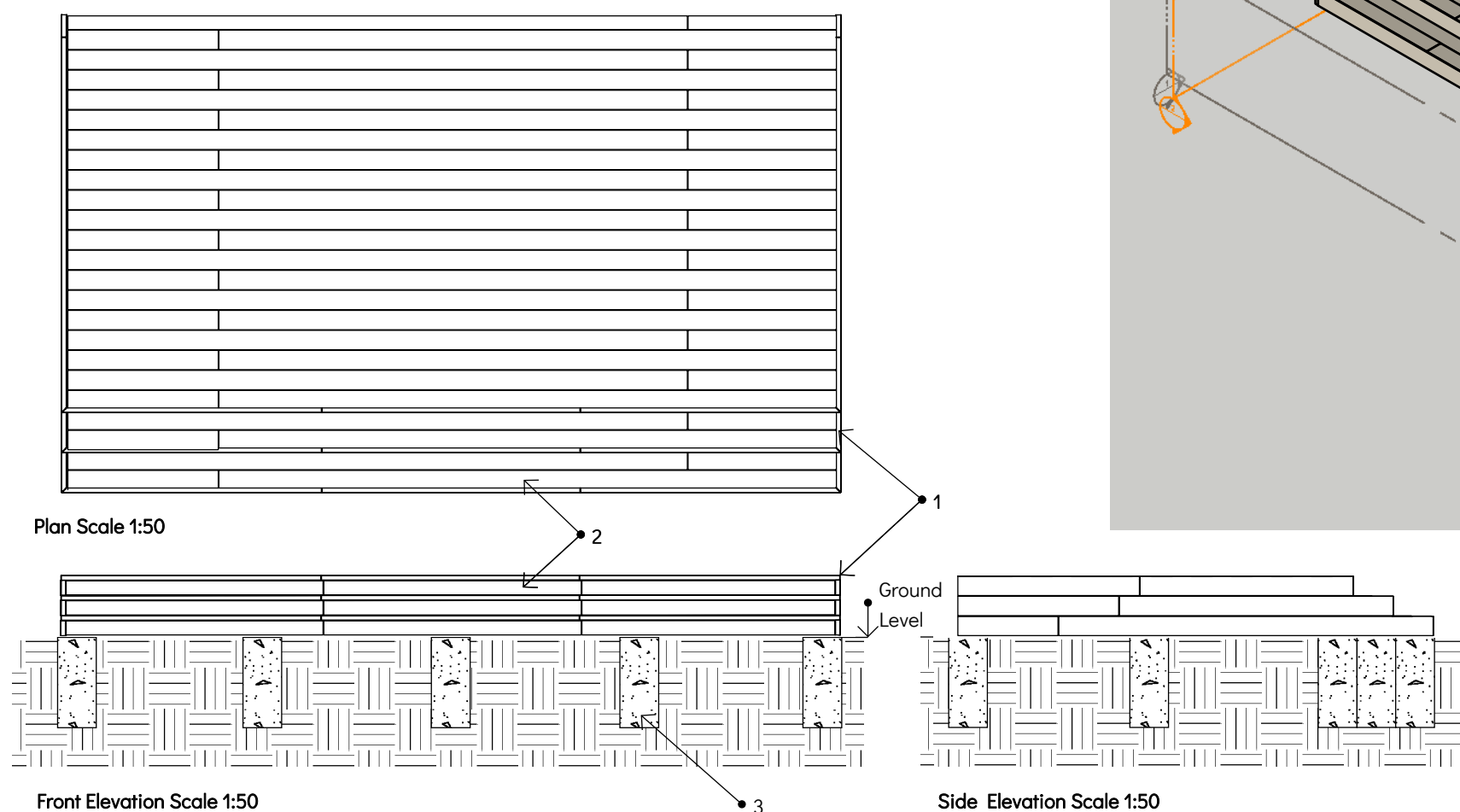
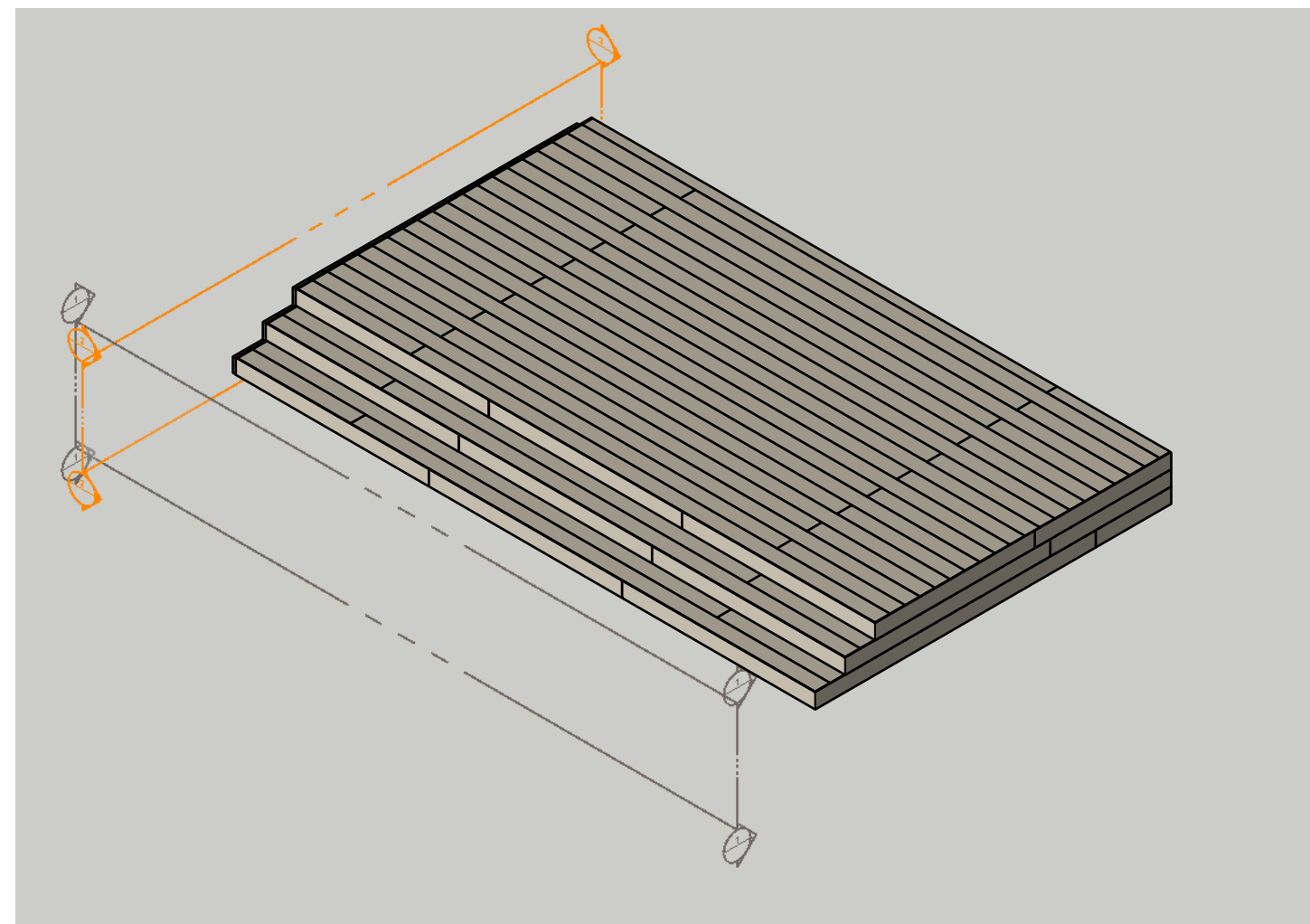
© 2021 Ecoscape UK Ltd

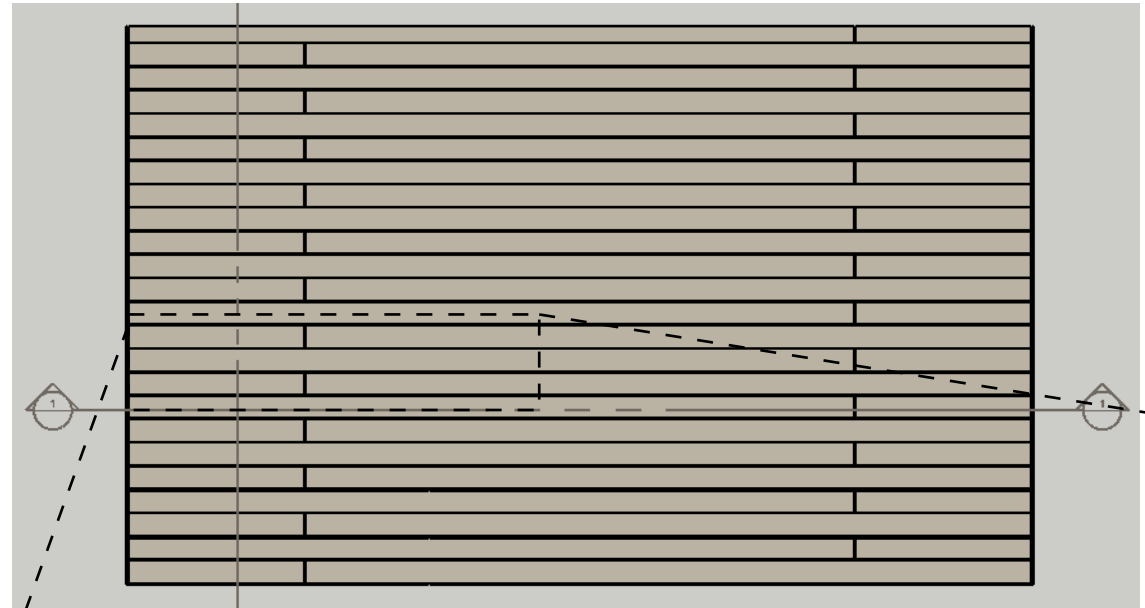
Composite Decking with Steps Overview - Typical Detail with Flat Trim

- 1: Flat Trim
- 2: Decking Board (ECO05AS/AT/AC/AG/AW)
- 3: Concrete Post Foundations

For further information, see :

Ecoscape "Composite Decking installation Guide"





- 1: Flat Trim
- 2: Colour Coded Screw
- 3: Hidden T-Clip
- 4: Locking Clip
- 5: Expansion Gap - see Expansion Gap Table ('Composite Decking Installation Guide, p.34)
- 6: Substructure
- 7: Deck Board

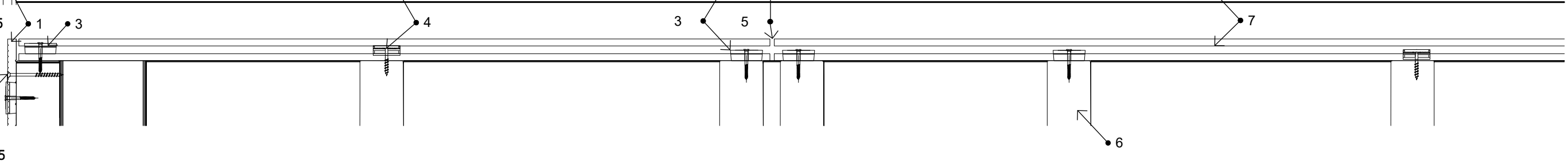
For further information, see :
Ecoscape "Composite Decking installation Guide"

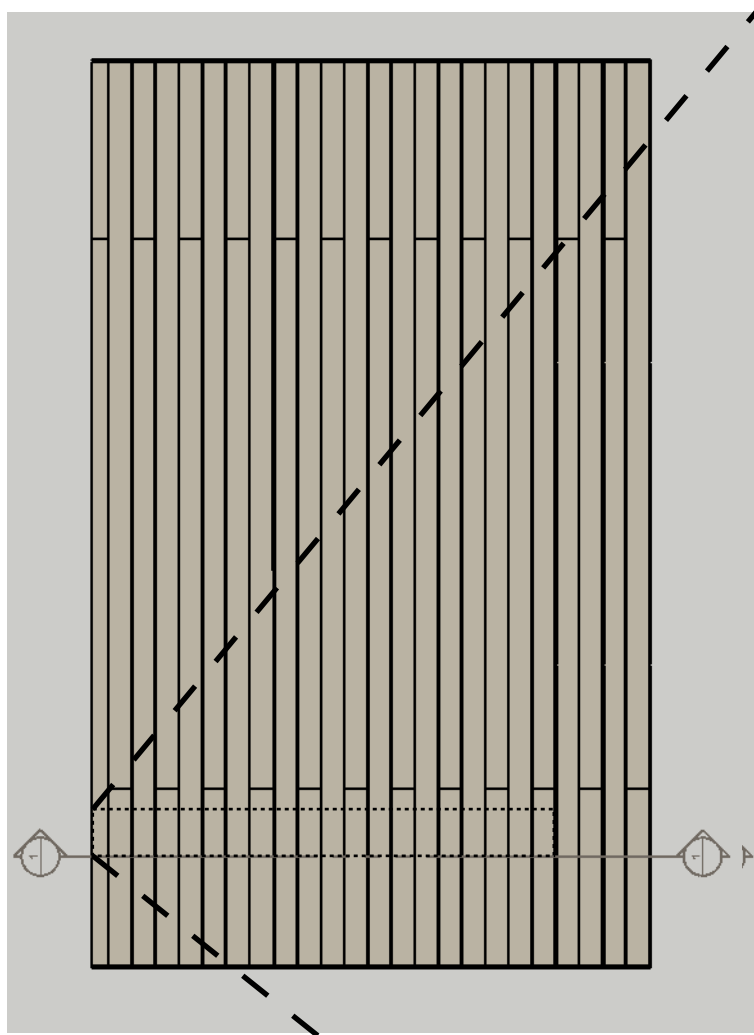
Plan Scale: 1:50



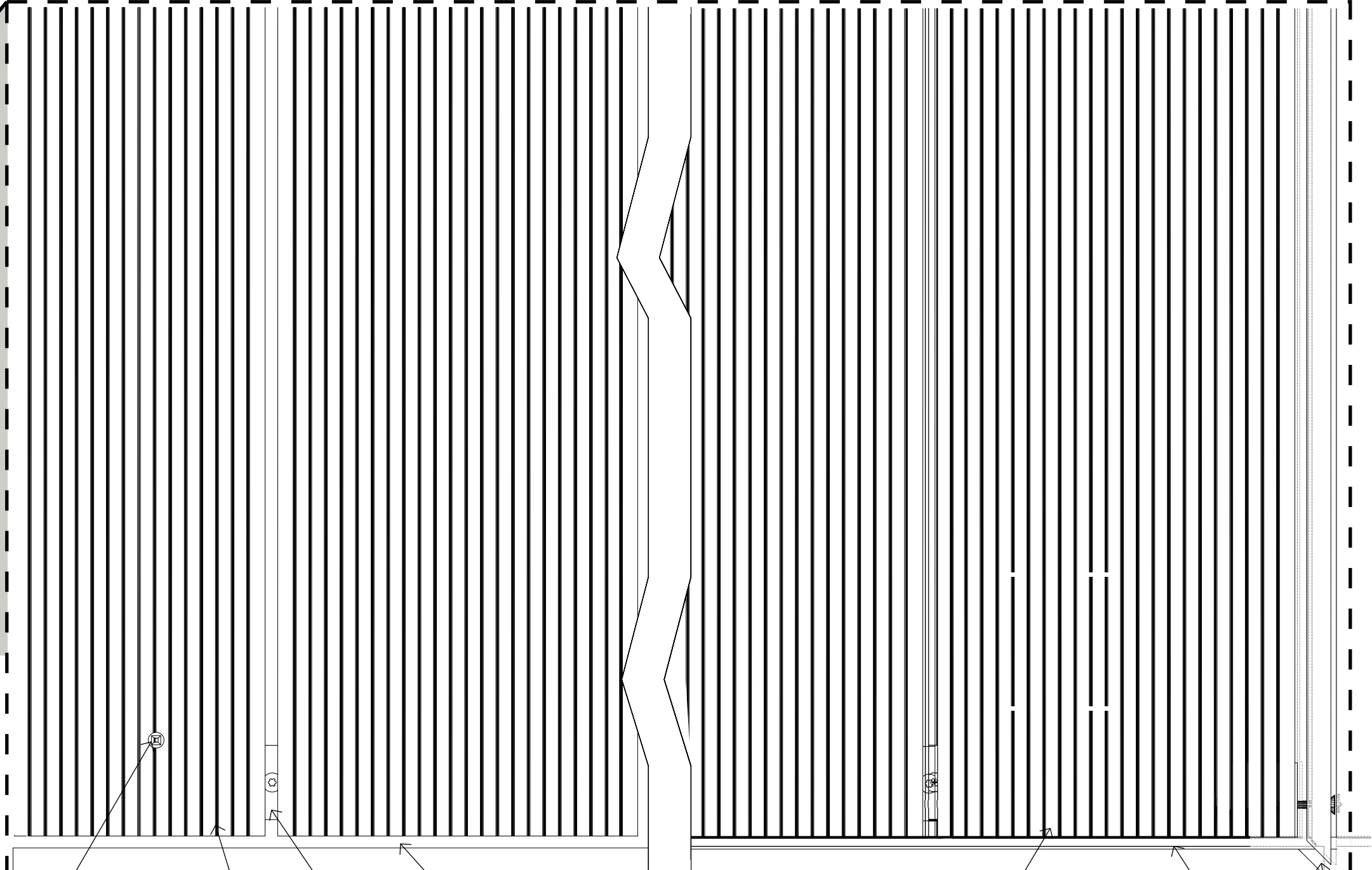
150 mm
5 mm
150 mm

Plan Detail Scale: 1:5
Section Detail Scale: 1:5

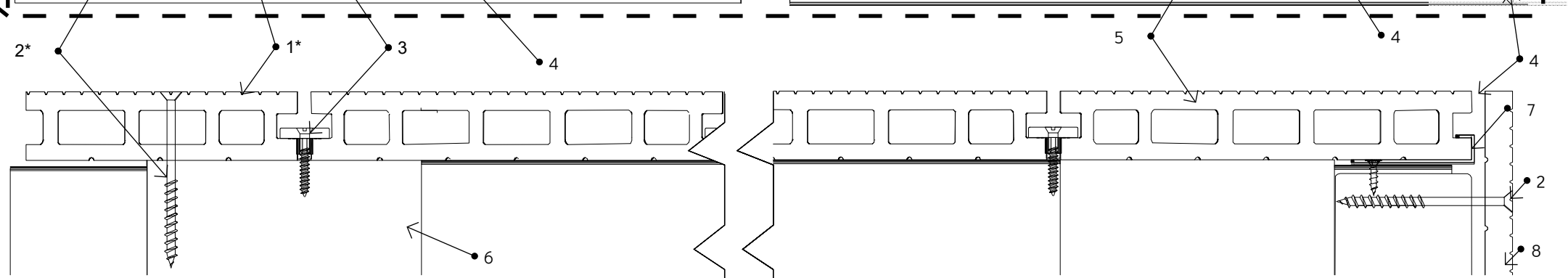




Plan Scale: 1:50



Plan Detail Scale: 1:2



Section Detail Scale: 1:2

- 1*: Cut-to-fit Deck board (face fixed)
- 2*: Colour Coded Screw
- 3: Hidden T-Clip
- 4. Expansion Gap - see Expansion Gap Table ('Composite Decking Installation Guide, p.34)
- 5: Deck Board
- 6: Substructure
- 7: Start / Finish Clip
- 8: Flat Trim

*(NB. It is recommended to fix all deck boards using our purpose-made decking clips. On occasion where a full-width board cannot be used, it may be necessary to face fix using Colour Coded Screws in pre-drilled and countersunk holes).

For further information, see :

Ecoscape "Composite Decking installation Guide"