

ROBUS®

OUTDOOR

HILUME LED FLOOD LIGHT

10W, 20W, 30W, 50W, 100W,
IP65



RHLxxx0-01

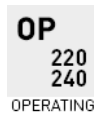
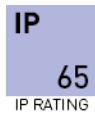
RHLxxx0P-04

PRODUCT INFORMATION DOCUMENT FEATURES

- Die cast aluminium housing providing optimal heat dissipation and high resistance to weather conditions
- Prewired with 1m of rubber flex
- A tempered glass frosted diffuser is used to provide an anti-vandal, low glare uniform light coverage of the area
- PIR with adjustable tilt of 180° and swivel of 150° and manual override with 8hour automatic reset
- All PIR parameters in the table on page 2

CONSTRUCTION

- Black or white powder coated die cast aluminium body and polycarbonate bezel
- Tempered glass frosted diffuser
- Galvanised mounting bracket
- Stainless steel external fixings



Product Code:	RHL1030-01, -04 RHL1040-01, -04 RHL1030P-04 RHL1040P-01, -04	RHL2030-01, -04 RHL2040-01, -04 RHL2030P-04 RHL2040P-01, -04	RHL3030-01, -04 RHL3040-01, -04 RHL3030P-04 RHL3040P-01, -04	RHL5030-01, -04 RHL5040-01, -04 RHL5030P-04 RHL5040P-01, -04	RHL10030-01, -04 RHL10040-01, -04
Comparable to:	75W halogen	150W halogen	200W halogen	350W halogen	500W halogen
Total Power (W):	11.1/10.6	20.4/19.7	28.2/28.0	47.3/48.3	93.4/94.6
Power Factor:	0.6	0.6	0.9	0.9	0.9
Total Light Output (lm):	960/980	1,640/1,730	2,110/2,190	3,560/3,900	7,070/7,440
Total Emergency Light Output (lm):	NA	NA	NA	NA	NA
Efficacy (lm/cctW):	87/93	80/88	75/78	75/81	76/79
Lux at 1m (lux):	420/430	720/760	920/940	1,470/1,590	2,840/3,010
Emergency Lux at 1m (lux):	NA	NA	NA	NA	NA
CCT (K):	3000/4000	3000/4000	3000/4000	3000/4000	3000/4000
CRI:	80	80	80	80	80
IP:	65	65	65	65	65
Operation Temperature (°C):	-20 ≤ Ta ≤ +40	-20 ≤ Ta ≤ +40	-20 ≤ Ta ≤ +40	-20 ≤ Ta ≤ +40	-20 ≤ Ta ≤ +40
Inrush Current:	4A/1us	4A/1us	0.5A/1us	0.8A/1us	4A/1us
RG Value:	0	0	0	0	0
SDCM:	6	6	6	6	6
Pst LM:	NA	NA	NA	NA	NA
SVM:	NA	NA	NA	NA	NA
Energy Class:	E	E	F	F	E
Rated Life to L70B50 (Hrs):	20000	20000	20000	20000	20000
Dimensions LxWxH (mm):	114x114x62/ 114x166x81	121x121x63/ 129x175x82	132x132x63/ 144x190x82	184x165x63/ 184x224x82	114x166x81
Weight (kg):	0.34/0.4	0.4/0.45	0.48/0.55	0.75/0.82	1.67

Separate Control Gear Information

Type of Light Source:	LED	LED	LED	LED	LED
Full Load Efficiency (%):	NA	NA	NA	NA	NA
P _{NET} (W):	NA	NA	NA	NA	NA
Dimensions (mm):	NA	NA	NA	NA	NA

Product is certified to all the relevant standards.

Please contact our technical department for market specific compliances.

PLEASE NOTE: INFORMATION IN THIS DOCUMENT MAY BE SUBJECT TO CHANGE WITHOUT PRIOR NOTICE

IRE: TEL: +353 1 709 9000
UK: TEL: 0800 973 220
AUS: TEL: +61 7 3890 5444
NZ: TEL: +64 03 668 5285

WEB: ROBUS.COM
WEB: ROBUS.COM
WEB: ROBUS.COM.AU
WEB: ROBUSLED.CO.NZ

LED GROUP EUROPE · UK · AUSTRALIA · NEW ZEALAND · ASIA · MIDDLE EAST · AFRICA

HILUME LED FLOOD LIGHT

10W, 20W, 30W, 50W, 100W,
IP65

Cone Illuminance Diagram

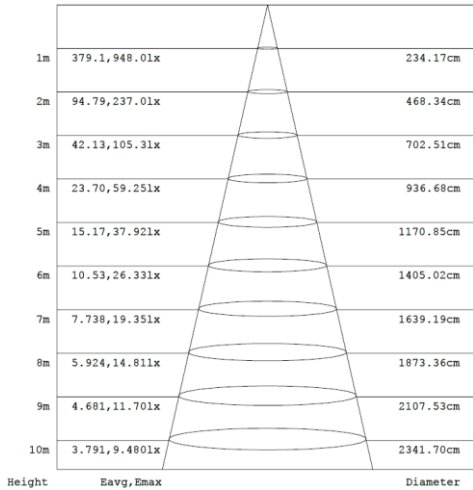
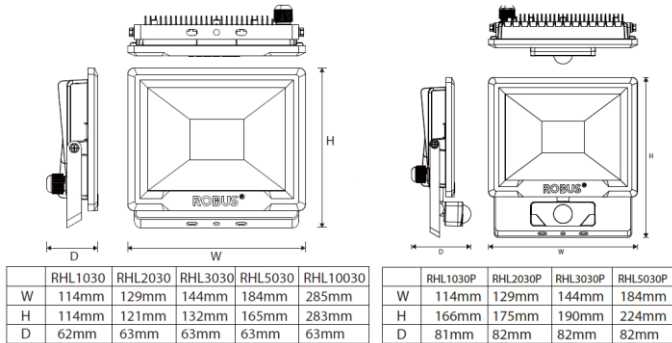


Diagram for RHL3040-04 in 4000K. Other diagrams available on request

Dimension Diagram



Sensor Data

Time Off Delay:	10s - 10min
Illuminance Switching Range:	3 - 2,000 lx
Sensitivity Range (%):	NA
Mounting Height (max):	4m
Detection Zone Diameter (max):	10m

Polar Intensity Diagram

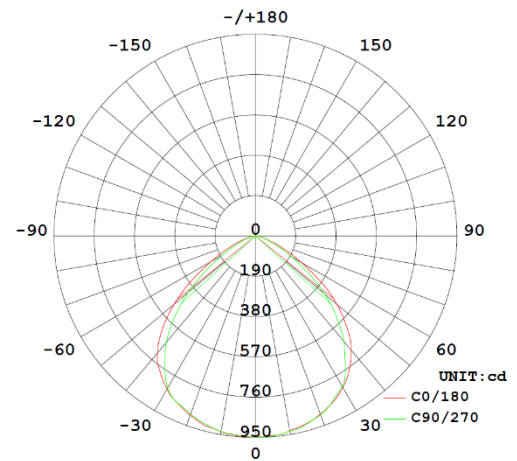


Diagram for RHL3040-04 in 4000K. Other diagrams available on request

Accessories

- RMCSPIKE-04 Garden spike attachment
- R10FSA-01 LED flood light signage arm, white
- R10FSA-04 LED flood light signage arm, black