

Otto Premium Handle, Lever on Round Rose

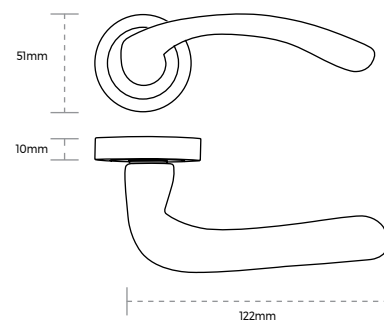


The SPÄRKA Otto premium lever on rose handle is well known for its ease of operation and simple clean lines. This well balanced and stylish handle compliments any door opening.

It comes with face fitting and bolt through fixings ensuring your door handle, once fitted is held for ever. Bolt through fixings included. Finished in Satin Chrome or Polished Chrome.

SKU	Size	Finish	Package Type	Qty
HA1411.SCP	51mm	Satin Chrome	Retail Bag	1 Pair
HA1410.SCP	51mm	Satin Chrome	Trade Packed	1 Pair
HA1411.PCP	51mm	Polished Chrome	Retail Bag	1 Pair
HA1410.PCP	51mm	Polished Chrome	Trade Packed	1 Pair

TECHNICAL



BS EN 1906:2012

KEY FEATURES:

- Pair of lever handles on round rose.
- Sprung, for use with standard duty latches.
- To suit doors up to 44mm thick.
- 8mm square spindle included for lever operation.
- Material Zinc alloy.
- Tested to EN1906 to Grade 3.
- 100 hours salt spray tested as per ASTM B117:2016.
- Fire Tested FD30/ 60 minutes
- Supplied with fixings.

Hugo Premium Handle, Lever on Round Rose

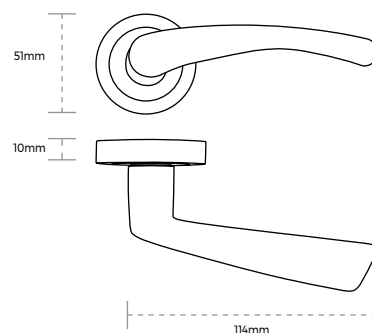


Designed from the inside out the SPÄRKA Hugo premium lever on rose handle is a classic for now and for ever. The ergonomic design ensures a very natural human touch making it feel more like an extension to your hand.

Bolt through fixings included. Finished in Satin Chrome or Polished Chrome.

SKU	Size	Finish	Package Type	Qty
HA1413.SCP	51mm	Satin Chrome	Retail Bag	1 Pair
HA1412.SCP	51mm	Satin Chrome	Trade Packed	1 Pair
HA1413.PCP	51mm	Polished Chrome	Retail Bag	1 Pair
HA1412.PCP	51mm	Polished Chrome	Trade Packed	1 Pair

TECHNICAL



BS EN 1906:2012

KEY FEATURES:

- Pair of lever handles on round rose.
- Sprung, for use with standard duty latches.
- To suit doors up to 44mm thick.
- 8mm square spindle included for lever operation.
- Material Zinc alloy.
- Tested to EN1906 to Grade 3.
- 100 hours salt spray tested as per ASTM B117:2016.
- Fire Tested FD30/ 60 minutes
- Supplied with fixings.

Axel Premium Handle, Lever on Round Rose



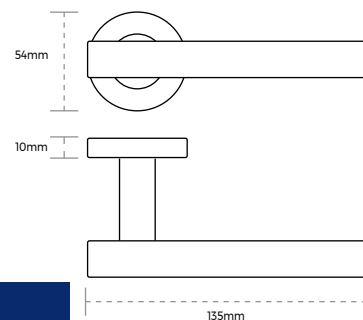
This classic lever on rose handle brings out the true character of the SPÄRKA range of premium door handles.

Designed with ease and speed of fitting, making it the joiner's choice on site and the architects preference from the beginning.

Bolt through fixings included. Finished in Satin Stainless Steel.

SKU	Size	Finish	Package Type	Qty
HA1415.SSS	54mm	Satin Stainless Steel	Retail Bag	1 Pair
HA1414.SSS	54mm	Satin Stainless Steel	Trade Packed	1 Pair

TECHNICAL



BS EN 1906:2012

KEY FEATURES:

- Pair of lever handles on round rose
- Sprung, for use with standard duty latches
- To suit doors up to 44mm thick
- Manufactured from Stainless Steel Grade 304 with brass spindle housing, making it strong and durable
- Tested to EN1906 to Grade 3
- 100 hours salt spray tested as per ASTM B117:2016.
- Fire Tested FD30/ 60 minutes
- Supplied with all fixings, including concealed bolt-through fixings to ensure a strong installation that won't come loose over time
- Low maintenance finish