



SPÄRKA®



Fire Door Hardware

Welcome to SPÄRKA UK

Who we are

SPÄRKA is a family owned business whose founders have over 65 years combined Architectural Ironmongery and Merchant experience.

We are designers and manufacturers of Architectural Ironmongery who supply the Retail and Builders Merchant sector



We are committed to delivering exceptional lifetime value, delivering tried & tested products that have industry leading guarantees up to 35 years.

We are passionate about making door hardware simple for builders to buy and comply with building regulations.

Likewise, it's about making door hardware simple for merchants to recommend.

This means you get support tailored to your specific needs and operations, as we 100% understand your industry requirements.

We are committed to supporting builders and looking to turn our growing incoming sales leads from builders, joiners and local trade professionals back to distributors who stock our goods nationwide.



Timeline of events

2019	JUL	SPÄRKA co founded by Joshua Watkins, Kelvin Hughes Mark Hughes	
	SEP	Moved into Unit 9, SPÄRKA's first office & warehouse	
2020	JAN	World Health Organisation announced coronavirus (COVID-19) had emerged in Wuhan, China	
	FEB	2020 COVID-19 hits the UK	
	MAR	First full time employee joins the SPÄRKA team	
		UK National Lockdown	
	APR	KROK was invented 3D printed prototypes were made	
	MAY	KROK is manufactured with patent pending	
	JUL	Biggest month of sales for SPÄRKA	
		Acquired new bigger offices & warehouse - Campbell Way, Sheffield	
	SEP	Rebecca Fortescue-Halliwel joined SPÄRKA as Marketing Manager	
		First ever Blog posted	
		SPÄRKA's brand is refined	
	OCT	SPÄRKA goes live on Social media - Facebook, LinkedIn, Instagram, YouTube	
	First series of KROK Videos produced		
	Fireworks! SPÄRKA exceeds yearly sales target		
NOV	Building work starts on SPÄRKA studio		
	SPÄRKA products all packed in branded packaging		
DEC	SPÄRKA's first ever catalogue goes to print		

Timeline of events

JAN	Official launch of SPÄRKA Fire Door Hardware	
	Relaunch of SPÄRKA Website	
FEB	First series of Door Pack videos released on SPÄRKA YouTube channel	
	Official launch video released	
MAR	SPÄRKA Door Closers added to range	
	Products available in retail bags	
APR	New SPÄRKA merchandising stands added to the offering	
	More filming in the SPÄRKA studio	
MAY	Jack Samples joins SPÄRKA sales team	
	Cylinders and Signs added to range	
APR	Launch of SPÄRKA's Intumescent range	
	Racking gets installed in warehouse	
MAY	First ever SPÄRKA "How To" Videos are released on social media, YouTube and website	
	Second brochure launched from SPÄRKA	
	Became a supplier member to IBC buying group.	
	Proud to announce we are members of NMBS	

SPÄRKA More to come...

Digital First Brand

SPÄRKA was founded with a digital first strategy driving high quality digital assets for the Independent merchant to gain solid traction through online and social channels.

As a key pillar of our strategy, we have invested in a in house studio from which our "how to", "thought leadership" and our "education" video content is professionally filmed.



SPÄRKA YouTube Channel



Follow us on:



Check out some of our recent videos on our website or YouTube channel >>



Contents

SPÄRKA Certification	05
SPÄRKA Guide to Finishes	06
Premium Door Handles	07
Pull Handles, Push Plates & Kick Plates	10
Latch & Hinge Door Packs	11
Key Lock Door Packs	12
Bathroom Door Packs	13
Hinges	14
Sashlocks	15
Deadlocks	16
Tubular Latches	17
Escutcheons	18
Door Closers	19
Accessories	23
Intumescent Strips	24
Merchandising Stands	25
Website & Digital	26
Handy Checklist	27



SPÄRKA Certification

Certification

SPÄRKA are proud of the stringent quality checks that the products have to go through prior to them being ready to sell. The tests which the products have to go through prior to leaving the manufacturing process and even upon arrival to our warehouse is immense and we ensure that they adhere and comply to strict standards.



Certifire is an independent third-party certification scheme that assures performance, quality, reliability and traceability of products and systems.

The fundamental benefit of Certifire is seated in giving the regulator, specifier, customer and end-user confidence with regards to the stated performance of the product and provides an informed choice when purchasing or selecting the product.

Choosing a product that carries the mark of a reputable third-party certification body gives assurance as to the performance of the products. Using certified products, correctly installed, provides a powerful demonstration that due diligence's have been served.



For many ironmongery items you will need to ensure that only fire marked products are used on all fire doors. SPÄRKA products that show this icon have successfully passed a fire test. Further documentation on specific fire door details such as door type, installation application or whether it was suitable for a 30 minute or 60 minute fire door is detailed on each product.



IFC Certification Ltd (IFC) is a UKAS accredited and internationally recognised provider of high quality customer focused independent third party certification. IFC Certification Ltd is also a Notified Certification Body for certifying products for CE Marking under the Construction Products Directive.

Some SPÄRKA products have the IFC certification mark assigned to them this gives confidence to specifiers, users, occupiers, owners and enforcement bodies that products have been thoroughly and independently evaluated and will continue to be manufactured to the same specification as originally tested.



SPÄRKA products carry the CE mark, it means that the product has been tested and meets EU health, safety and environmental guidelines. The product complies with EU legislation.



The UKCA (UK Conformity Assessment) mark is the new UK product marking that will be required for certain products being placed on the market in Great Britain (England, Wales and Scotland). It covers most products that previously required the CE mark.

It will not be recognized in the EU market. Products that require CE marking will still need a CE marking to be sold in the EU

SPÄRKA Guide to Finishes



Satin Chrome

Satin Chrome offers a duller and more subtle appearance compared to bright chrome and is therefore a fantastic option for a modern look. Satin chrome creates a contemporary metal finish. It also provides other benefits such as corrosion resistance, increased hardness and easier cleaning.



Satin Stainless Steel

Satin Stainless Steel is achieved through a brushing technique. Satin stainless steel not only protects the metal from rust and corrosion, it also creates a trendy, modern appearance. The metal becomes less reflective after the satin finish is applied. This creates the satin sheen the finish is named after.



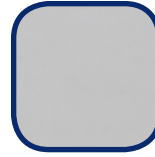
Nickel Plated

Nickel plating hardens the surface of the substrate, which increases wear resistance. Nickel also provides superior protection against corrosion.



Satin Nickel

Satin Nickel is a warm grey colour with a very slight golden tint and visible brush marks in the surface of the item. As the satin nickel ages a patina forms over the nickel causing it to look slightly “cloudy” making the Satin Nickel an even softer finish. Satin Nickel is an electro plated finish.



Polished Chrome

Polished Chrome is very reflective and deviates towards sparkly white. This is achieved by applying chrome to a base metal. This is then given a careful polishing which brings about an exceptionally pleasant and mirror-smooth finish.



Polished Stainless Steel

Polished Stainless Steel is a highly reflective ultra-smooth finish which is achieved by polishing and buffing with a soft cloth and special polishing compounds. This surface reflects a clear distinct image.



Polished Nickel

Polished Nickel is the ultimate “warm” finish, it is a highly shiny, smooth, mirror like finish with a very slight golden tint. Polished Nickel is an electro plated finish.



Silver

Silver is a powder coated finish.



Matt Satin

A matte finish does not have the brilliant reflective properties of a mirrored finish.

Smooth to the touch, a matt finish is appealing to many customers. Because the surface is not reflective or shiny, a matt finish is more forgiving when it comes to smudges and bits of dirt and grime; this is because they are not shown up as readily.

Otto Premium Handle, Lever on Round Rose



Satin Chrome

Polished Chrome

The SPÄRKA Otto premium lever on rose handle is well known for its ease of operation and simple clean lines. This well balanced and stylish handle compliments any door opening.

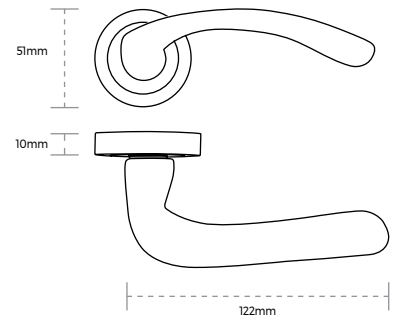
It comes with face fitting and bolt through fixings ensuring your door handle, once fitted is held for ever.

Bolt through fixings included. Finished in Satin Chrome or Polished Chrome.

SKU	Size	Finish	Package Type	Qty
HAI411.SCP	51mm	Satin Chrome	Retail Bag	1 Pair
HAI411.PCP	51mm	Polished Chrome	Retail Bag	1 Pair



TECHNICAL



BS EN 1906:2012

KEY FEATURES:

- Pair of lever handles on round rose.
- Sprung, for use with standard duty latches.
- To suit doors up to 44mm thick.
- 8mm square spindle included for lever operation.
- Material Zinc alloy.
- Tested to EN1906 to Grade 3.
- 100 hours salt spray tested as per ASTM B117:2016.
- Supplied with fixings.

Hugo Premium Handle, Lever on Round Rose



Satin Chrome

Polished Chrome

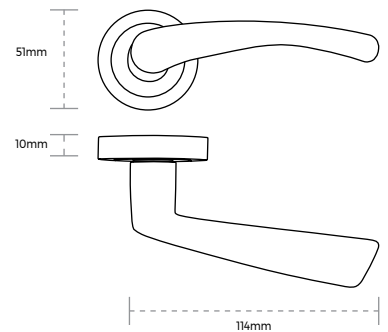
Designed from the inside out the SPÄRKA Hugo premium lever on rose handle is a classic for now and for ever. The ergonomic design ensures a very natural human touch making it feel more like an extension to your hand.

Bolt through fixings included. Finished in Satin Chrome or Polished Chrome.

SKU	Size	Finish	Package Type	Qty
HAI413.SCP	51mm	Satin Chrome	Retail Bag	1 Pair
HAI413.PCP	51mm	Polished Chrome	Retail Bag	1 Pair



TECHNICAL



BS EN 1906:2012

KEY FEATURES:

- Pair of lever handles on round rose.
- Sprung, for use with standard duty latches.
- To suit doors up to 44mm thick.
- 8mm square spindle included for lever operation.
- Material Zinc alloy.
- Tested to EN1906 to Grade 3.
- 100 hours salt spray tested as per ASTM B117:2016.
- Supplied with fixings.

Axel Premium Handle, Lever on Round Rose



Satin Stainless Steel

This classic lever on rose handle brings out the true character of the SPÄRKA range of premium door handles.

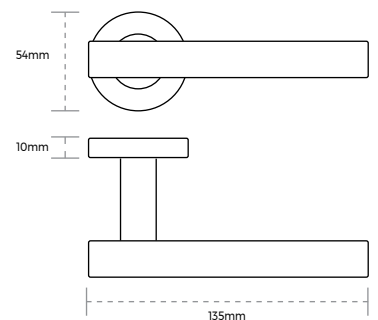
Designed with ease and speed of fitting, making it the joiner's choice on site and the architects preference from the beginning.

Bolt through fixings included. Finished in Satin Stainless Steel.

SKU	Size	Finish	Package Type	Qty
HAI415.SSS	54mm	Satin Stainless Steel	Retail Bag	1 Pair



TECHNICAL



BS EN 1906:2012

KEY FEATURES:

- Pair of lever handles on round roses.
- Sprung, for use with standard duty followers.
- To suit doors up to 44mm thick.
- 8mm square spindle included for lever operation.
- Stainless Steel Grade 304 with brass spindle housing

Alvit Premium Handle, Lever on Round Rose



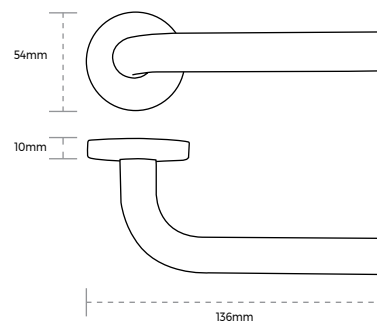
Satin Stainless Steel

The SPÄRKA Alvit Premium Handle, Lever on Round Rose is ideal for interior and exterior doors.

Bolt through fixings included. 19mm Dia. Straight lever on Round Rose blends in with all modern and contemporary designs with it's clean simple lines. Finished in Satin Stainless Steel.

SKU	Size	Finish	Package Type	Qty
HAI421.SSS	54mm	Satin Stainless Steel	Retail Bag	1 Pair

TECHNICAL



KEY FEATURES:

- Pair of lever handles on round rose
- Sprung, for use with standard duty latches
- To suit doors up to 44mm thick
- Manufactured from Stainless Steel Grade 304 with brass spindle housing, making it strong and durable
- Supplied with all fixings, including concealed bolt-through fixings to ensure a strong installation that won't come loose over time
- Low maintenance finish

Jennie Premium Handle, Lever on Round Rose



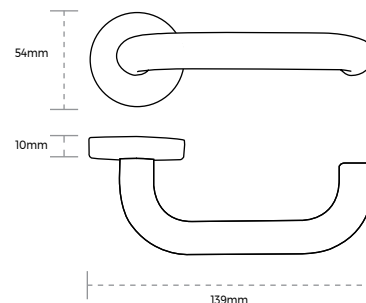
Satin Stainless Steel

The SPÄRKA Jennie Premium Handle, Lever on Round Rose is ideal for interior and exterior doors.

Bolt through fixings included. 19mm Dia. Lever on Round Rose. This handle is a return to door design which makes this handle easier to grip, helps to reduce catching clothes and compliant with BS8300 / Equality Act. Ideal for use in the work environment, housing and public buildings. Finished in Satin Stainless Steel.

SKU	Size	Finish	Package Type	Qty
HAI422.SSS	54mm	Satin Stainless Steel	Retail Bag	1 Pair

TECHNICAL



KEY FEATURES:

- Pair of lever handles on round rose
- Sprung, for use with standard duty latches
- To suit doors up to 44mm thick
- Manufactured from Stainless Steel Grade 304 with brass spindle housing, making it strong and durable
- Supplied with all fixings, including concealed bolt-through fixings to ensure a strong installation that won't come loose over time
- Low maintenance finish
- Return to Door handle that helps to assist BS8300 / Equality Act - ideal for public buildings

Duane Premium Handle, Lever on Round Rose



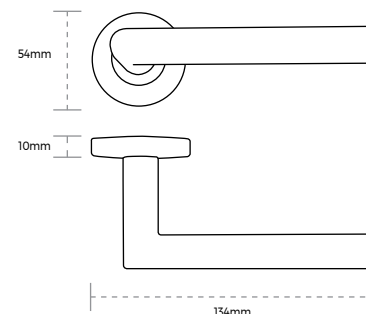
Satin Stainless Steel

The SPÄRKA Duane Premium Handle, Lever on Round Rose is ideal for interior and exterior doors.

Bolt through fixings included. 19mm Dia Mitred Lever on Round Rose, always looks classic on a door and enhances the finish. Finished in Satin Stainless Steel.

SKU	Size	Finish	Package Type	Qty
HAI423.SSS	54mm	Satin Stainless Steel	Retail Bag	1 Pair

TECHNICAL



KEY FEATURES:

- Pair of lever handles on round rose
- Sprung, for use with standard duty latches
- To suit doors up to 44mm thick
- Manufactured from Stainless Steel Grade 304 with brass spindle housing, making it strong and durable
- Supplied with all fixings, including concealed bolt-through fixings to ensure a strong installation that won't come loose over time
- Low maintenance finish

Tova Premium Handle, Lever on Round Rose



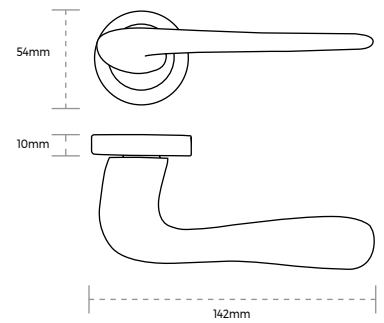
Satin Chrome

The SPÄRKA Tova Premium Handle, is a flat Lever on Round Rose with a flare, making it easy to operate, and always makes a talking point for the user and occupier. Lever on Round Rose is ideal for interior doors.

Bolt through fixings included. Finished in Satin Chrome.

SKU	Size	Finish	Package Type	Qty
HAI424.SCP	54mm	Satin Chrome	Retail Bag	1 Pair

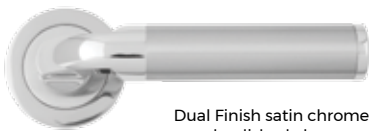
TECHNICAL



KEY FEATURES:

- Pair of lever handles on round rose
- Sprung, for use with standard duty latches
- To suit doors up to 44mm thick
- 8mm square spindle included for lever operation
- Material Zinc alloy
- Tested to EN1906 to Grade 3
- 100 Hours salt spray tested as per ASTM B117:2016
- Supplied with all fixings, including concealed bolt-through fixings to ensure a strong installation that won't come loose over time

Brita Premium Handle, Lever on Round Rose



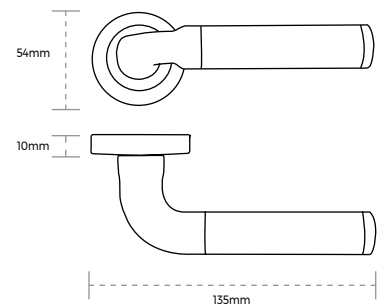
Dual Finish satin chrome and polished chrome

The SPÄRKA Brita Premium Handle, Lever on Round Rose is ideal for interior doors.

Bolt through fixings included dual finish Lever on Round Rose brings modern and contemporary together. Out standing in it's view, long lasting, and hard wearing, making it a well sort after by the design and interior fit out specifiers. Dual finish handle in Satin Chrome and Polished Chrome

SKU	Size	Finish	Package Type	Qty
HAI425.SCP	54mm	Satin & Polished Chrome	Retail Bag	1 Pair

TECHNICAL



KEY FEATURES:

- Pair of lever handles on round rose
- Sprung, for use with standard duty latches
- To suit doors up to 44mm thick
- 8mm square spindle included for lever operation
- Material Zinc alloy
- Tested to EN1906 to Grade 3
- 100 Hours salt spray tested as per ASTM B117:2016
- Supplied with all fixings, including concealed bolt-through fixings to ensure a strong installation that won't come loose over time

SPÄRKA®

SPÄRKA Fire Door Hardware.

For all your fire rated hardware needs get in contact with your Sales Account Manager.



Visit: www.sparkauk.com
 Call: 0114-350-3414
 Email: sales@sparkauk.com



Pull Handle



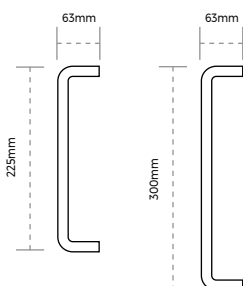
SPÄRKA 19mm Diameter Pull Handle, Supplied with bolt through fixings and is available with 225mm or 300mm centres.



KEY FEATURES:

- Manufactured from Stainless Steel Grade 304 with brass spindle housing, making it strong and durable
- Bolt-through fixing, improves aesthetics and provides a robust fixing
- Suits doors upto 55mm thick
- Ideal for high traffic environments

TECHNICAL



SKU	Size	Finish	Package Type	Qty
HA1612.SSS	19mmØ 225mm Centres	Satin Stainless Steel	Retail Box	1
HA1613.SSS	19mmØ 300mm Centres	Satin Stainless Steel	Retail Box	1

Push Plate

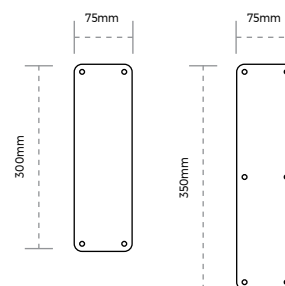
CUSTOM SIZES AVAILABLE TO ORDER



SPÄRKA push plates are installed on doors that require you to push the door open. This push plate helps to enhance the door, provides protection of the door from finger prints and also covers up the fixings of bolt through pull handles that would be typically installed on the reverse side.



TECHNICAL



KEY FEATURES:

- Plain push plate
- Drilled and countersunk for fast and secure installation, with fixings included
- Radius corners for a smoother and more aesthetically pleasing solution
- Made from Stainless Steel - highly durable and easy to keep clean

SKU	Size	Finish	Package Type	Qty
PP1014.SSS	300 x 75mm	Satin Stainless Steel	Retail Bag	1
PP1015.SSS	350 x 75mm	Satin Stainless Steel	Retail Bag	1
PP1018.SSS	300 x 75mm	Satin Stainless Steel	Retail Bag	2
PP1019.SSS	350 x 75mm	Satin Stainless Steel	Retail Bag	2

Push Plate & Pull Handle Door Pack



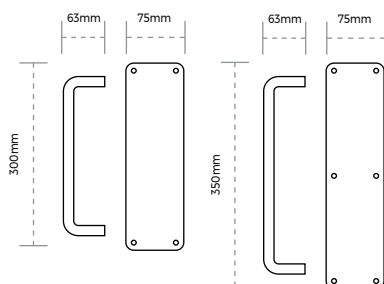
The SPÄRKA push plate & pull handle door pack is suitable for commercial and domestic use. Comes in a satin stainless steel finish making it aesthetically pleasing and enhances product durability. Supplied with all the fixings.



KEY FEATURES:

- Push Plate & Pull Handle packed together ensuring you have complementing products for a perfect installation, consistent matching finish for improved aesthetics and easy ordering

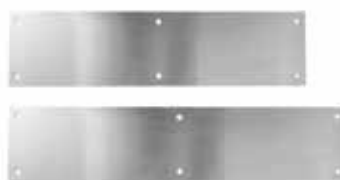
TECHNICAL



SKU	Size	Finish	Package Type	Qty
DP1110.SSS	Pull Handle 19mmØ 225mm Centres / Push Plate 300 x 75mm	Satin Stainless Steel	Retail Box	1
DP1111.SSS	Pull Handle 19mmØ 300mm Centres / Push Plate 350 x 75mm	Satin Stainless Steel	Retail Box	1

Kick Plates

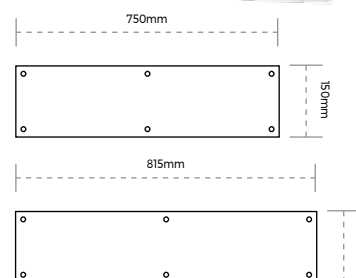
CUSTOM SIZES AVAILABLE TO ORDER



The SPÄRKA kick plates is suitable for commercial and domestic use. Comes in a satin stainless steel finish making it aesthetically pleasing and enhances product durability. Supplied with all the fixings.



TECHNICAL



KEY FEATURES:

- Plain kick plate
- Drilled and countersunk for fast and secure installation, with fixings included
- Made from Stainless Steel - highly durable and easy to keep clean

SKU	Size	Finish	Package Type	Qty
PP1016.SSS	750mm x 150mm	Satin Stainless Steel	Retail Bag	1
PP1017.SSS	815mm x 150mm	Satin Stainless Steel	Retail Bag	1

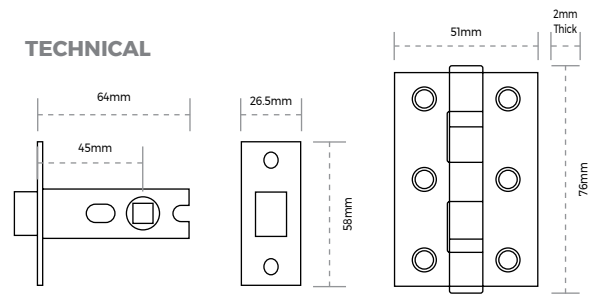
**Latch and Hinge Door Pack
64mm Latch and 76mm Hinges**



The SPÄRKA latch & hinge door pack is suitable for domestic or commercial projects making it faster and easier to choose the right handle with the door pack.

Comes with 2 x Grade 7 ball bearing hinges for doors up to 40Kg in weight, available in a Satin Chrome and Polished Chrome finish, supplied with all fixings.

TECHNICAL



SKU	Size	Finish	Package Type	Qty
DP1010.SCP	64mm / 2.5" Tubular Latch & 76mm / 3" Hinge	Satin Chrome	Retail Box	1 Pack
DP1010.PCP	64mm / 2.5" Tubular Latch & 76mm / 3" Hinge	Polished Chrome	Retail Box	1 Pack

BS EN 1935:2002, BS EN 12209:2016



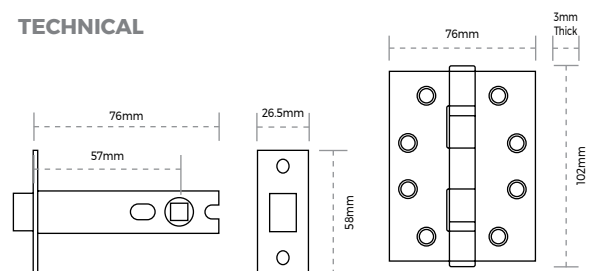
**Latch and Hinge Door Pack
76mm Latch and 102mm Hinges**



The SPÄRKA latch & hinge door pack is suitable for domestic or commercial projects making it faster and easier to choose the right handle with the door pack.

Comes with 3 x Grade 13 Ball Bearing hinges for doors up to 120Kg in weight, available in a Satin Chrome and Polished Chrome finish. Supplied with all fixings.

TECHNICAL



SKU	Size	Finish	Package Type	Qty
DP1011.SCP	76mm / 3" Tubular Latch & 102mm / 4" Hinge	Satin Chrome	Retail Box	1 Pack
DP1011.PCP	76mm / 3" Tubular Latch & 102mm / 4" Hinge	Polished Chrome	Retail Box	1 Pack

BS EN 1935:2002, BS EN 12209:2016



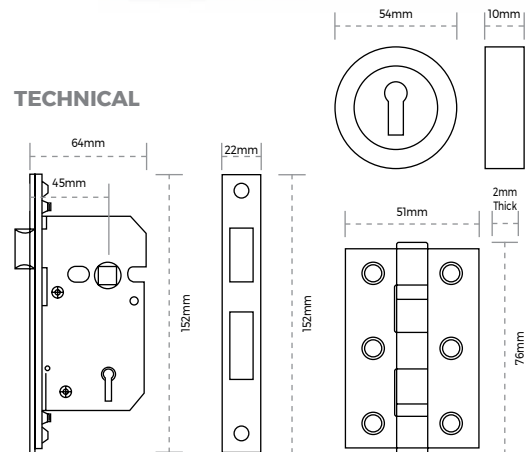
3-lever Sashlock & Hinge Door Pack 64mm Lock and 76mm Hinges



The SPARKA 3 lever sashlock and hinge door pack is suitable for domestic or commercial projects making it faster and easier to choose the right handle with the right lock set.

Comes complete with 1 x pair of escutcheons and 2 x Grade 7 ball bearing hinges for doors up to 40Kg in weight, available in a Satin Chrome or Polished Chrome finish, supplied with all fixings.

TECHNICAL



SKU	Size	Finish	Package Type	Qty
DP1014.SCP	64mm / 2.5" 3 Lever Sashlock & 76mm / 3" Hinge	Satin Chrome	Retail Box	1 Pack
DP1014.PCP	64mm / 2.5" 3 Lever Sashlock & 76mm / 3" Hinge	Polished Chrome	Retail Box	1 Pack

BS EN 1935:2002, BS EN 12209:2016



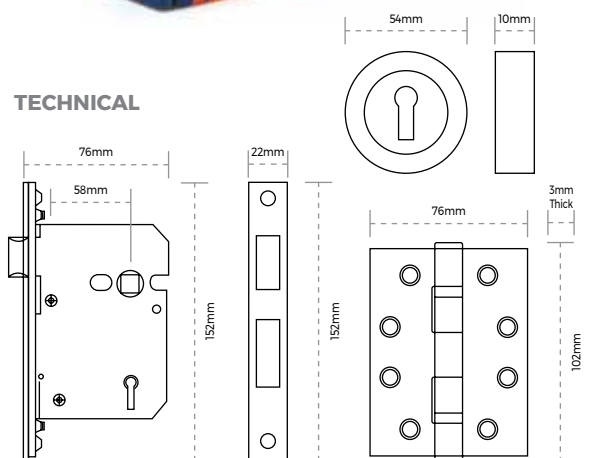
3-lever Sashlock & Hinge Door Pack 76mm Lock and 102mm Hinges



The SPARKA 3-lever sashlock and hinge door pack is suitable for domestic or commercial projects making it faster and easier to choose the right handle with the right lock set.

Comes complete with 1 x pair of escutcheons and 3 x Grade 13 Ball Bearing hinges for doors up to 120Kg in weight, available in a Satin Chrome and Polished Chrome finish, supplied with all fixings.

TECHNICAL



SKU	Size	Finish	Package Type	Qty
DP1015.SCP	76mm / 3" 3 Lever Sashlock & 102mm / 4" Hinge	Satin Chrome	Retail Box	1 Pack
DP1015.PCP	76mm / 3" 3 Lever Sashlock & 102mm / 4" Hinge	Polished Chrome	Retail Box	1 Pack

BS EN 12209:2016, BS EN 1935:2002



**Bathroom Lock & Hinge Door Pack
64mm Latch and 76mm Hinges**



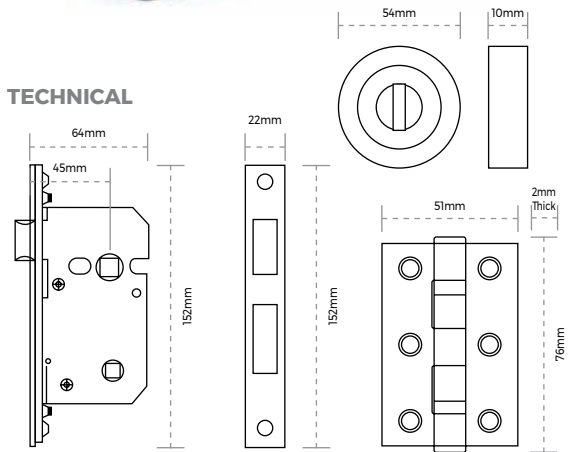
The SPÄRKA bathroom lock and hinge door pack is suitable for domestic or commercial projects making it faster and easier to choose the right handle with the right Bathroom lock and thumb turn set.

Comes complete with all fixings, available in a Satin Chrome or Polished Chrome finish. Comes with Grade 7 ball bearing hinges suitable for doors up to 40Kg in weight.

SKU	Size	Finish	Package Type	Qty
DP1012.SCP	64mm / 2.5" Latch & 76mm / 3" Hinges	Satin Chrome	Retail Box	1 Pack
DP1012.PCP	64mm / 2.5" Latch & 76mm / 3" Hinges	Polished Chrome	Retail Box	1 Pack



TECHNICAL



BS EN 1935:2002, BS EN 12209:2016



**Bathroom Lock & Hinge Door Pack
76mm Latch and 102mm Hinges**



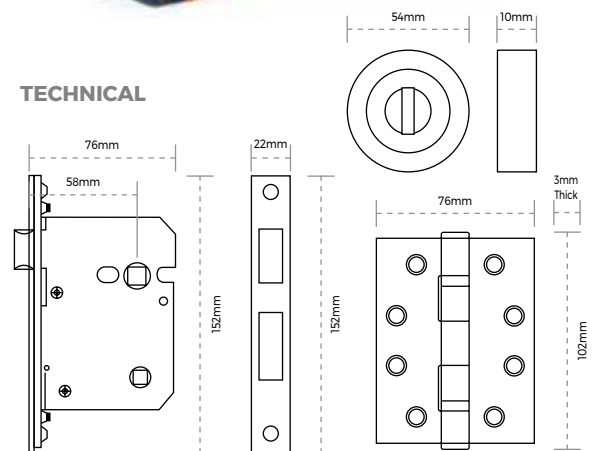
The SPÄRKA bathroom lock and hinge door pack is suitable for domestic or commercial projects making it faster and easier to choose the right handle with the right Bathroom lock and thumb turn set.

Comes complete with all fixings, available in a Satin Chrome or Polished Chrome finish. Comes with 3 x Grade 13 ball bearing hinges suitable for doors up to 120Kg in weight.

SKU	Size	Finish	Package Type	Qty
DP1013.SCP	76mm / 3" Lock & 102mm / 4" Hinge	Satin Chrome	Retail Box	1 Pack
DP1013.PCP	76mm / 3" Lock & 102mm / 4" Hinge	Polished Chrome	Retail Box	1 Pack



TECHNICAL



BS EN 1935:2002, BS EN 12209:2016



Grade 7 Ball Bearing Hinges



Satin Stainless Steel

Polished Stainless Steel

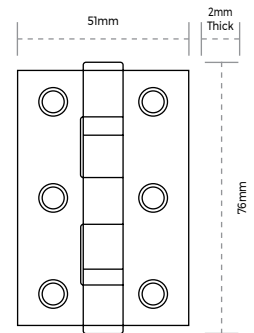


Multi-Hinge Pack x12



Retail Bag x2

TECHNICAL



Grade 7 ball bearing hinges are suitable for light and medium weight doors up to 40kg in weight.

All SPARKA hinges are packed with screws for ease of purchase and to get doors hung faster. Ideal when you wish to hang a door prior to fitting all other ironmongery and final door decorations.

SKU	Size	Finish	Package Type	Qty
HC1014.SSS	76x51x2mm	Satin Stainless Steel	Retail Box	12 pack
HC1015.SSS	76x51x2mm	Satin Stainless Steel	Retail Bag	2 pack
HC1016.SSS	76x51x2mm	Satin Stainless Steel	Trade Packed	2 pack
HC1016.PSS	76x51x2mm	Polished Stainless Steel	Trade Packed	2 pack

BS EN 1935:2002



Grade 13 Ball Bearing Hinges



Satin Stainless Steel

Polished Stainless Steel

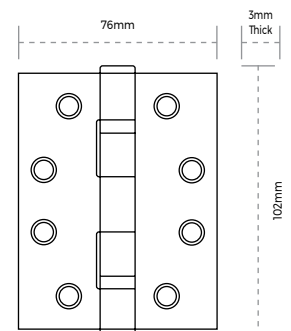


Multi-Hinge Pack x12



Retail Bag x3

TECHNICAL



Grade 13 ball bearing hinges are suitable for all heavy and wide doors - including high traffic fire doors. For door weights up to 120kg.

All SPARKA hinges are packed with screws for ease of purchase and to get doors hung faster. Ideal for hanging doors prior to other ironmongery and final door decorations.

SKU	Size	Finish	Package Type	Qty
HC1012.SSS	102x76x3mm	Satin Stainless Steel	Retail Box	12 pack
HC1013.SSS	102x76x3mm	Satin Stainless Steel	Retail Bag	3 pack
HC1013.PSS	102x76x3mm	Polished Stainless Steel	Retail Bag	3 pack
HC1010.SSS	102x76x3mm	Satin Stainless Steel	Trade Packed	3 pack
HC1010.PSS	102x76x3mm	Polished Stainless Steel	Trade Packed	3 pack

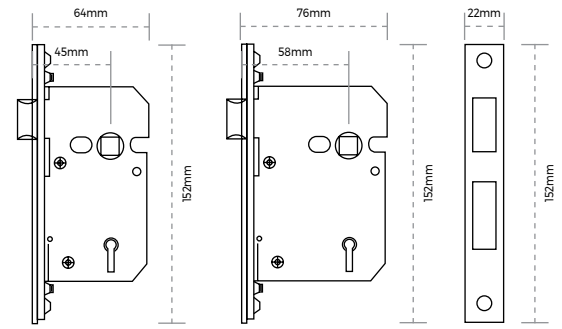
BS EN 1935:2002



3 Lever Sashlock



TECHNICAL



SPÄRKA fire rated 3 lever mortice sashlocks are ideal for commercial and domestic use.

SKU	Size	Finish	Package Type	Qty
LL1017.NPL	64mm Sashlock	Nickel Plated	Retail Bag	1
LL1016.NPL	76mm Sashlock	Nickel Plated	Retail Bag	1

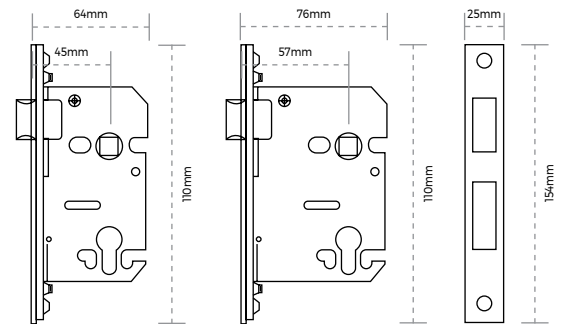
BS EN 12209:2016



Euro Profile Sashlock



TECHNICAL



SPÄRKA CE Euro Profile Sashlock.

SKU	Size	Finish	Package Type	Qty
LL1618.SCP	64mm Sashlock	Satin Chrome	Retail Bag	1
LL1619.SCP	76mm Sashlock	Satin Chrome	Retail Bag	1

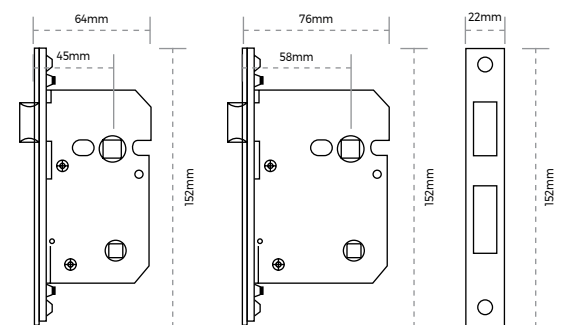
BS EN 12209:2016



Bathroom Sashlock



TECHNICAL



SPÄRKA fire rated bathroom sashlock is ideal for commercial and domestic use.

SKU	Size	Finish	Package Type	Qty
LL1215.NPL	64mm Sashlock	Nickel Plated	Retail Bag	1
LL1214.NPL	76mm Sashlock	Nickel Plated	Retail Bag	1

BS EN 12209:2016



Euro Profile Deadlock



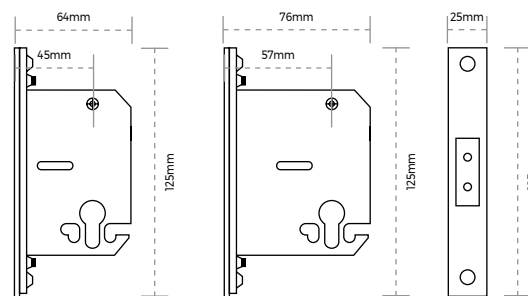
64mm Deadlock

76mm Deadlock

SPARKA CE Euro Profile Deadlock.

SKU	Size	Finish	Package Type	Qty
LL1620.SCP	64mm Deadlock	Satin Chrome	Retail Bag	1
LL1621.SCP	76mm Deadlock	Satin Chrome	Retail Bag	1

TECHNICAL



BS EN 12209:2016



Euro Cylinder

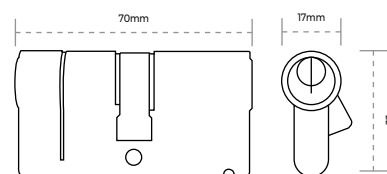


SPARKA 5 pin semi-restricted 70mm double cylinder 35/35mm. Comes complete with 3 keys.

SKU	Size	Finish	Package Type	Qty
LL1313.MAS	70mm 35/35mm	Matt Satin	Retail Bag	1

MORE CYLINDER SIZES AVAILABLE AND MASTER KEY SUITES

TECHNICAL



BS EN 1303:2005

KEY FEATURES:

- Anti-Snap
- Anti-Pick
- Anti-Drill

Euro Cylinder & Turn

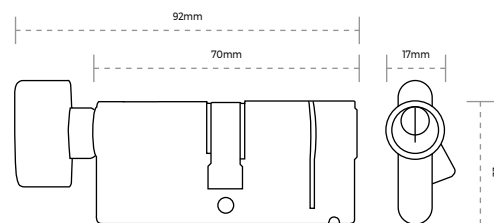


SPARKA 5 pin semi-restricted 70mm euro cylinder and turn 35/35mm. Comes complete with 3 keys.

SKU	Size	Finish	Package Type	Qty
LL1312.MAS	70mm 35/35mm	Matt Satin	Retail Bag	1

MORE CYLINDER SIZES AVAILABLE AND MASTER KEY SUITES

TECHNICAL



BS EN 1303:2005

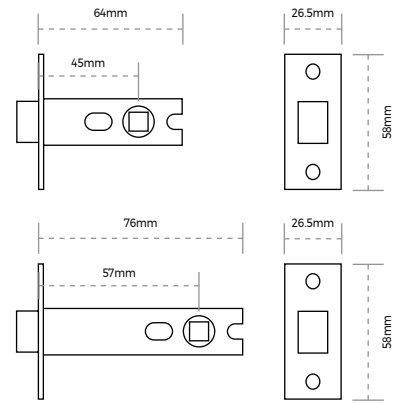
KEY FEATURES:

- Anti-Snap
- Anti-Pick
- Anti-Drill

Tubular Latch



TECHNICAL



SPÄRKA fire rated tubular latches are designed for use with door handles and door knobs. Ideal for commercial and domestic use.

SKU	Size	Finish	Package Type	Qty
LL2025.NPL	64mm Tubular Latch	Nickel Plated	Retail Bag	1
LL2026.NPL	76mm Tubular Latch	Nickel Plated	Retail Bag	1

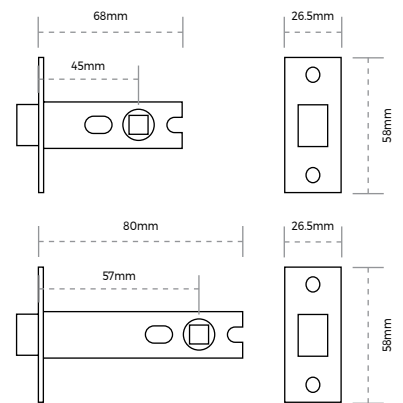
BS EN 12209:2016



Heavy Duty Tubular Latch



TECHNICAL



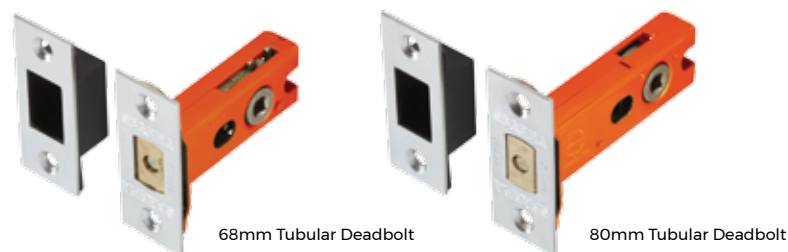
SPÄRKA heavy duty fire rated CE Tubular Latch are designed for use with door handles and door knobs.

SKU	Size	Finish	Package Type	Qty
LL2029.SCP	68mm Tubular Latch	Satin Chrome	Retail Bag	1
LL2030.SCP	80mm Tubular Latch	Satin Chrome	Retail Bag	1

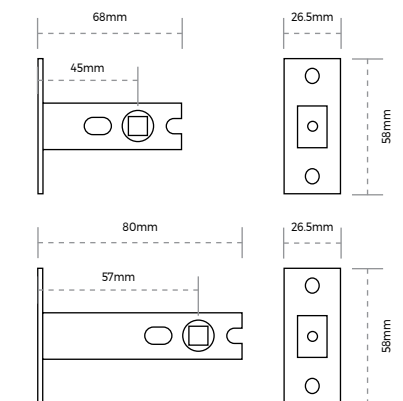
BS EN 12209:2016



Tubular Deadbolt



TECHNICAL



SPÄRKA heavy duty fire rated CE Tubular deadbolt are designed for use with bathroom thumb turns or lever on backplate with integrated thumb turn.

SKU	Size	Finish	Package Type	Qty
LL2031.SCP	68mm Tubular Deadbolt	Satin Chrome	Retail Bag	1
LL2032.SCP	80mm Tubular Deadbolt	Satin Chrome	Retail Bag	1

BS EN 12209:2016



Keyhole Escutcheons



Satin Chrome

Polished Chrome

Satin Stainless Steel

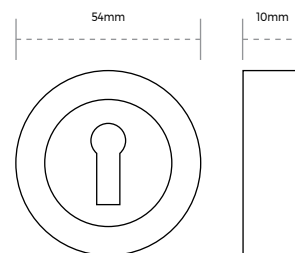
Keyhole escutcheons, ideal for commercial and domestic use.

Available in a satin chrome, polished chrome and satin stainless steel finish, supplied as a pair.

SKU	Size	Finish	Package Type	Qty
HA1012.SCP	54 x 10mm	Satin Chrome	Retail Bag	1 Pair
HA1012.PCP	54 x 10mm	Polished Chrome	Retail Bag	1 Pair
HA1020.SSS	54 x 10mm	Satin Stainless Steel	Retail Bag	1 Pair



TECHNICAL



Euro Profile Escutcheons



Satin Chrome

Polished Chrome

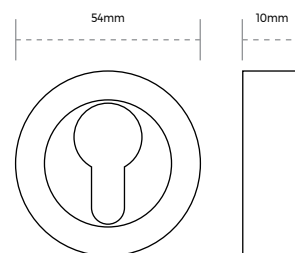
Satin Stainless Steel

SPARKA Euro Profile Escutcheons are designed to compliment the SPARKA range of door handles and are for use in conjunction with euro profile cylinders.

Available in a satin chrome, polished chrome and satin stainless steel finish, supplied as a pair.

SKU	Size	Finish	Package Type	Qty
HA1017.PCP	54 x 10mm	Polished Chrome	Retail Bag	1 Pair
HA1018.SCP	54 x 10mm	Satin Chrome	Retail Bag	1 Pair
HA1019.SSS	54 x 10mm	Satin Stainless Steel	Retail Bag	1 Pair

TECHNICAL



Bathroom Thumbturn & Release with Indicator



Satin Chrome

Polished Chrome

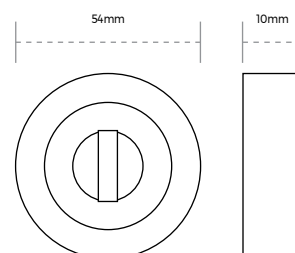
Bathroom thumbturn and release with indicator, ideal for commercial and domestic use.

Available in a satin chrome or polished chrome finish, supplied as a pair.

SKU	Size	Finish	Package Type	Qty
HA1013.SCP	54 x 10mm	Satin Chrome	Retail Bag	1 Pair
HA1013.PCP	54 x 10mm	Polished Chrome	Retail Bag	1 Pair



TECHNICAL



S-10 Overhead Door Closers Surface Mount

TECHNICAL



Polished Nickel Plated



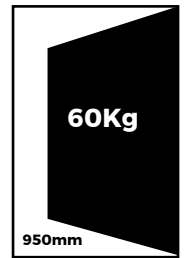
Satin Nickel Plated



Silver



Max:



The SPÄRKA S-10 Overhead Door Closer with Cover is a fixed EN power size 3 door closer making it suitable for doors upto 950mm wide or maximum 60 Kg. This door closer comes complete with mechanism, cover, armset, parallel arm bracket for mounting on the 'Push' face of the door, installation template and all fixings.

The closer has integrated adjustable valves to independently control the closing and latching speeds. It is suitable for timber fire doors up to 60 minutes. The product has been independently tested to meet and exceed fire door testing requirements and is backed by a 10 year guarantee for peace of mind.

EN Size	Max Door Width	Max Door Weight
1	750mm	20Kg
2	850mm	40Kg
3	950mm	60Kg
4	1100mm	80Kg
5	1250mm	100Kg
6	1400mm	120Kg

SKU	Size	Finish	Package Type	Qty
DC1210.PNP	EN 3 Power Size	Polished Nickel Plated	Retail Box	1 Set
DC1210.SNP	EN 3 Power Size	Satin Nickel Plated	Retail Box	1 Set
DC1210.SE	EN 3 Power Size	Silver	Retail Box	1 Set
DC1211.SE*	EN 3 Power Size	Silver	Retail Box	1 Set

*Without cover

BS EN 1154:1997 + A1:2002



S-20 Overhead Door Closers Surface Mount

TECHNICAL



Polished Nickel Plated



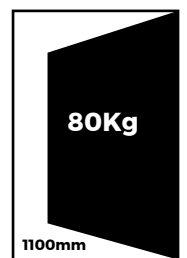
Satin Nickel Plated



Silver



Max:



The SPÄRKA S-20 Overhead Door Closer with cover is an EN variable power size 2-4 door closer making it suitable for doors upto 1100mm wide / or maximum 80 Kg. This door closer comes complete with mechanism, cover, armset, parallel arm bracket for mounting on the 'Push' face of the door, installation template and all fixings.

The closer has integrated adjustable valves to independently control the closing and latching speeds. Also with integrated back check valve which provides a cushioning effect for when the door opens too fast. It is suitable for timber fire doors up to 60 minutes. The product has been independently tested to meet and exceed fire door testing requirements and is backed by a 10 year guarantee for peace of mind

EN Size	Max Door Width	Max Door Weight
1	750mm	20Kg
2	850mm	40Kg
3	950mm	60Kg
4	1100mm	80Kg
5	1250mm	100Kg
6	1400mm	120Kg

SKU	Size	Finish	Package Type	Qty
DC1212.PNP	EN 2-4 Power Size	Polished Nickel Plated	Retail Box	1 Set
DC1212.SNP	EN 2-4 Power Size	Satin Nickel Plated	Retail Box	1 Set
DC1212.SE	EN 2-4 Power Size	Silver	Retail Box	1 Set
DC1213.SE*	EN 2-4 Power Size	Silver	Retail Box	1 Set

*Without cover

BS EN 1154:1997 + A1:2002



S-30 Overhead Door Closers Surface Mount

TECHNICAL



Polished Nickel Plated



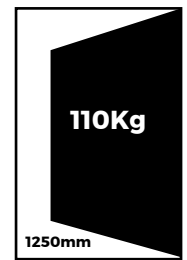
Satin Nickel Plated



Silver



Max:



The SPARKA S-30 Overhead Door Closer is an EN variable power size 2-5 door closer making it suitable for doors upto 1250mm wide / or maximum 110Kg. This door closer comes complete with mechanism, cover, armset, parallel arm bracket for mounting on the 'Push' face of the door, installation template and all fixings.

The closer has integrated adjustable valves to independently control the closing and latching speeds. Also with integrated back check valve which provides a cushioning effect for when the door opens too fast and integrated Delayed Action valve to provide a delayed closing to help assist the passage of wheel chair, push-chair or less-abled users. It is suitable for timber fire doors up to 60 minutes, and steel fire doors upto 240 minutes. The product has been independently tested to meet and exceed fire door testing requirements and is backed by a 35 year guarantee for peace of mind

EN Size	Max Door Width	Max Door Weight
1	750mm	20Kg
2	850mm	40Kg
3	950mm	60Kg
4	1100mm	80Kg
5	1250mm	100Kg
6	1400mm	120Kg

SKU	Size	Finish	Package Type	Qty
DC1214.SE	EN 2-5 Power Size	Silver	Retail Box	1 Set
DC1214.PNP	EN 2-5 Power Size	Polished Nickel Plated	Retail Box	1 Set
DC1214.SNP	EN 2-5 Power Size	Satin Nickel Plated	Retail Box	1 Set

BS EN 1154:1997 + A1:2002



S-40 Overhead Door Closers Surface Mount

TECHNICAL



Polished Nickel Plated

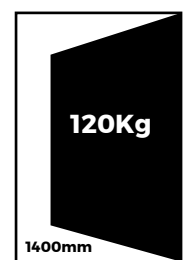


Satin Nickel Plated



Silver

Max:



The SPARKA S-40 Overhead Door Closer is an EN variable power size 2-6 heavy duty door closer making it suitable for doors upto 1400mm wide / or maximum 120Kg. This door closer comes complete with mechanism, cover, armset, parallel arm bracket for mounting on the 'Push' face of the door, installation template and all fixings.

The closer has integrated adjustable valves to independently control the closing and latching speeds. Also with integrated back check valve which provides a cushioning effect for when the door opens too fast and integrated delayed action valve to provide a delayed closing to help assist the passage of wheel chair, push-chair or less-abled users. It is suitable for timber fire doors up to 120 minutes, and steel fire doors upto 240 minutes. The product has been independently tested to meet and exceed fire door testing requirements and is backed by a 35 year guarantee for peace of mind

EN Size	Max Door Width	Max Door Weight
1	750mm	20Kg
2	850mm	40Kg
3	950mm	60Kg
4	1100mm	80Kg
5	1250mm	100Kg
6	1400mm	120Kg

SKU	Size	Finish	Package Type	Qty
DC1215.SE	EN 2-6 Power Size	Silver	Retail Box	1 Set
DC1215.SNP	EN 2-6 Power Size	Satin Nickel Plated	Retail Box	1 Set
DC1215.PNP	EN 2-6 Power Size	Polished Nickel Plated	Retail Box	1 Set

BS EN 1154:1997 + A1:2002

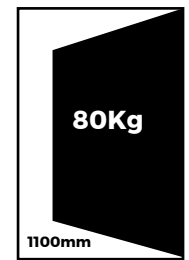


S-50 Overhead Door Closers Slide Arm

TECHNICAL



Max:



The SPÄRKA S-50 Slide Arm Door Closer is an EN variable power size 2-4 door closer making it suitable for doors upto 1100mm wide / or maximum 80Kg. This door closer has a high performance cam & roller mechanism that ensures a very low opening force whilst still maintaining a strong closing force to comply with fire regulations. The slim and compact design makes it less prone to vandalism and more aesthetically pleasing.

This door closer comes complete with mechanism, cover, slide arm channel and connector bar, installation template and all fixings. The closer has integrated adjustable valves to independently control the closing and latching speeds. It is suitable for timber fire doors up to 60 minutes, and steel fire doors upto 240 minutes. The product has been independently tested to meet and exceed fire door testing requirements and is backed by a 35 year guarantee for peace of mind

EN Size	Max Door Width	Max Door Weight
1	750mm	20Kg
2	850mm	40Kg
3	950mm	60Kg
4	1100mm	80Kg
5	1250mm	100Kg
6	1400mm	120Kg

SKU	Size	Finish	Package Type	Qty
DC1310.SE	EN 2-4 Power Size	Silver	Retail Box	1 Set
DC1310.SNP	EN 2-4 Power Size	Satin Nickel Plated	Retail Box	1 Set
DC1310.PNP	EN 2-4 Power Size	Polished Nickel Plated	Retail Box	1 Set

BS EN 1154:1997 + A1:2002

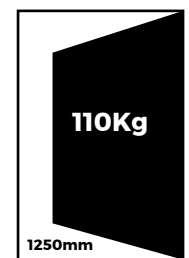


S-60 Overhead Door Closers Slide Arm

TECHNICAL



Max:



The SPÄRKA S-60 Slide Arm Door Closer is an EN variable power size 2-5 door closer making it suitable for doors upto 1250mm wide / or maximum 110Kg. This door closer has a high performance cam & roller mechanism that ensures a very low opening force whilst still maintaining a strong closing force to comply with fire regulations. The slim and compact design makes it less prone to vandalism and more aesthetically pleasing.

This door closer comes complete with mechanism, cover, slide arm channel and connector bar, installation template and all fixings. The closer has integrated adjustable valves to independently control the closing and latching speeds. It is suitable for timber fire doors up to 60 minutes, and steel fire doors upto 240 minutes. The product has been independently tested to meet and exceed fire door testing requirements and is backed by a 35 year guarantee for peace of mind

EN Size	Max Door Width	Max Door Weight
1	750mm	20Kg
2	850mm	40Kg
3	950mm	60Kg
4	1100mm	80Kg
5	1250mm	100Kg
6	1400mm	120Kg

SKU	Size	Finish	Package Type	Qty
DC1311.SE	EN 2-5 Power Size	Silver	Retail Box	1 Set
DC1311.SNP	EN 2-5 Power Size	Satin Nickel Plated	Retail Box	1 Set
DC1311.PNP	EN 2-5 Power Size	Polished Nickel Plated	Retail Box	1 Set

BS EN 1154:1997 + A1:2002



S-70 Overhead Door Closers Slide Arm

TECHNICAL

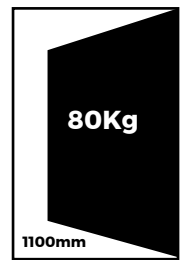


Silver



Satin Nickel Plated

Max:



The SPARKA S-70 Slide Arm Door Closer is an EN variable power size 2-4 door closer making it suitable for doors upto 1100mm wide / or maximum 80Kg. The slim and compact design makes it less prone to vandalism and more aesthetically pleasing.

This door closer comes complete with mechanism, cover, slide arm channel and connector bar, installation template and all fixings. The closer has integrated adjustable valves to independently control the closing and latching speeds. It is suitable for timber fire doors up to 60 minutes, and steel fire doors upto 240 minutes. The product has been independently tested to meet and exceed fire door testing requirements and is backed by a 10 year guarantee for peace of mind.

EN Size	Max Door Width	Max Door Weight
1	750mm	20Kg
2	850mm	40Kg
3	950mm	60Kg
4	1100mm	80Kg
5	1250mm	100Kg
6	1400mm	120Kg

SKU	Size	Finish	Package Type	Qty
DC1312.SE	EN 2-4 Power Size	Silver	Retail Box	1 Set
DC1312.SNP	EN 2-4 Power Size	Satin Nickel Plated	Retail Box	1 Set

BS EN 1154:1997 + A1:2002



S-80 Overhead Door Closers Electromagnetic

TECHNICAL



Polished Nickel Plated

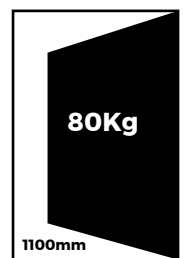


Satin Nickel Plated



Silver

Max:



The SPARKA S-80 Electromagnetic Door Closer is an EN power size 4 door closer making it suitable for doors upto 1100mm wide / or maximum 80 Kg. This door closer is designed to be used in either hold-open (ideal for corridor doors) or swing-free mode (ideal for living and bedroom doors) and needs a 24V DC supply along with integration to the fire alarm.

Door closer comes complete with mechanism, cover, armset, parallel arm bracket for mounting on the 'Push' face of the door, hold open and swing free components (choose on installation) installation template and all fixings. The closer has integrated adjustable valves to independently control the closing and latching speeds. It is suitable for timber fire doors up to 60 minutes and steel doors up to 240 minutes. The product has been independently tested to meet and exceed fire door testing requirements and is backed by a 5 year guarantee for peace of mind.

EN Size	Max Door Width	Max Door Weight
1	750mm	20Kg
2	850mm	40Kg
3	950mm	60Kg
4	1100mm	80Kg
5	1250mm	100Kg
6	1400mm	120Kg

SKU	Size	Finish	Package Type	Qty
DC1110.SE	EN 4 Power Size	Silver	Retail Box	1 Set
DC1110.SNP	EN 4 Power Size	Satin Nickel Plated	Retail Box	1 Set
DC1110.PNP	EN 4 Power Size	Polished Nickel Plated	Retail Box	1 Set

BS EN 1155:1997 + A1:2002



Door Stops



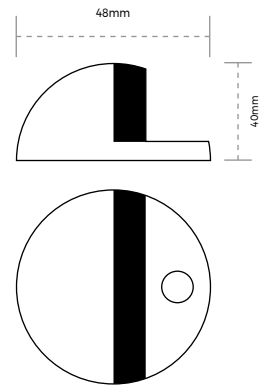
Satin Chrome



Polished Chrome

SPÄRKA Half Moon Floor Door Stop, 48 x 40mm.

TECHNICAL



SKU	Size	Finish	Package Type	Qty
BA1012.SCP	48 x 40mm	Satin Chrome	Retail Bag	1
BA1011.PCP	48 x 40mm	Polished Chrome	Retail Bag	1

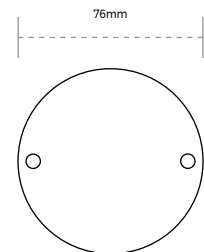
Door Signs

SPÄRKA engraved or screen printed 76mm diameter signs, all come complete with fixings.



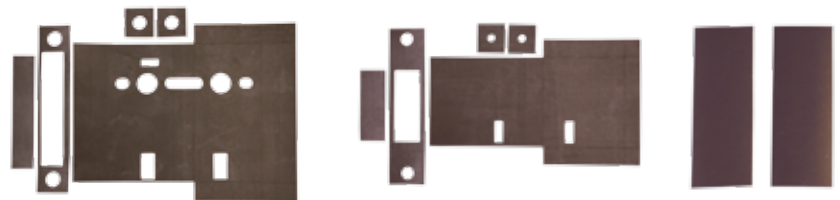
SKU	Description	Size	Finish	Package Type	Qty
SF1030.SSS	Fire Door Keep Shut Sign	76mm Diameter	Satin Stainless Steel	Retail Bag	2
SF1031.SSS	Fire Door Keep Locked Sign	76mm Diameter	Satin Stainless Steel	Retail Bag	2
SF1032.SSS	Automatic Fire Door Keep Clear Sign	76mm Diameter	Satin Stainless Steel	Retail Bag	2
SF1023.SSS	Engraved Male Sign	76mm Diameter	Satin Stainless Steel	Retail Bag	1
SF1024.SSS	Engraved Female Sign	76mm Diameter	Satin Stainless Steel	Retail Bag	1
SF1025.SSS	Engraved Disabled Sign	76mm Diameter	Satin Stainless Steel	Retail Bag	1
SF1026.SSS	Engraved Unisex Sign	76mm Diameter	Satin Stainless Steel	Retail Bag	1
SF1027.SSS	Engraved Shower Sign	76mm Diameter	Satin Stainless Steel	Retail Bag	1
SF1028.SSS	Engraved No Smoking Sign	76mm Diameter	Satin Stainless Steel	Retail Bag	1
SF1029.SSS	Engraved Baby Change Sign	76mm Diameter	Satin Stainless Steel	Retail Bag	1
SF1033.SSS	Engraved Push Sign	76mm Diameter	Satin Stainless Steel	Retail Bag	1
SF1034.SSS	Engraved Pull Sign	76mm Diameter	Satin Stainless Steel	Retail Bag	1
SF1035.SSS	Engraved WC Sign	76mm Diameter	Satin Stainless Steel	Retail Bag	1

TECHNICAL



Intumescent Door Hardware Protection

Fire doors often have a wide range of door hardware installed on them. When hardware is installed it reduces the integrity of the door and/or frame and the void/material that is removed to install/mortice a product then needs replacing with intumescent around the hinges and latches/locks in order to stop the spread of fire through a door. Failure to install this protection will invalidate the certification



SKU	Description	Thickness	Size	Package Type	Qty
TU1110	Hinge Pads	1mm	100mm x 30mm	Retail Bag	6
TU1111	Hinge Pads	1mm	75mm x 19mm	Retail Bag	6
TU1112	3L Sashlock OR Bathroom Lock	1mm	64/76mm	Retail Bag	1
TU1113	5L Sashlock OR Euro Sashlock	1mm	64/76mm	Retail Bag	1
TU1114	3L Deadlock	1mm	64/76mm	Retail Bag	1
TU1115	5L Sashlock OR Euro Deadlock	1mm	64/76mm	Retail Bag	1
TU1116	Tubular Latch	1mm	64/76mm	Retail Bag	1
TU1117	HD Tubular Latch OR Tubular Deadbolt	1mm	64/76mm	Retail Bag	1



Intumescent Fire Only Seal



White

Brown

White

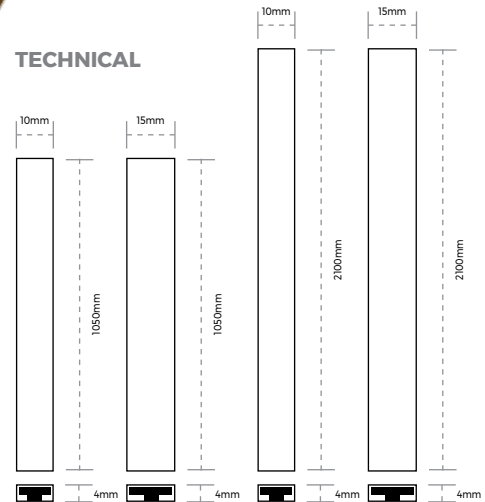
Brown

Intumescent Fire Only Seal, White or Brown, Self Adhesive

SKU	Size	Finish	Package Type	Qty
TUI010.WHT	10 x 4mm x 1.05m	White	Retail Bag	5
TUI011.BRN	10 x 4mm x 1.05m	Brown	Retail Bag	5
TUI012.WHT	15 x 4mm x 1.05m	White	Retail Bag	5
TUI013.BRN	15 x 4mm x 1.05m	Brown	Retail Bag	5
TUI018.WHT	10 x 4mm x 2.1m	White	Retail Bag	50
TUI019.BRN	10 x 4mm x 2.1m	Brown	Retail Bag	50
TUI020.WHT	15 x 4mm x 2.1m	White	Retail Bag	50
TUI021.BRN	15 x 4mm x 2.1m	Brown	Retail Bag	50

N.B: Always check the door manufacturers recommendations.

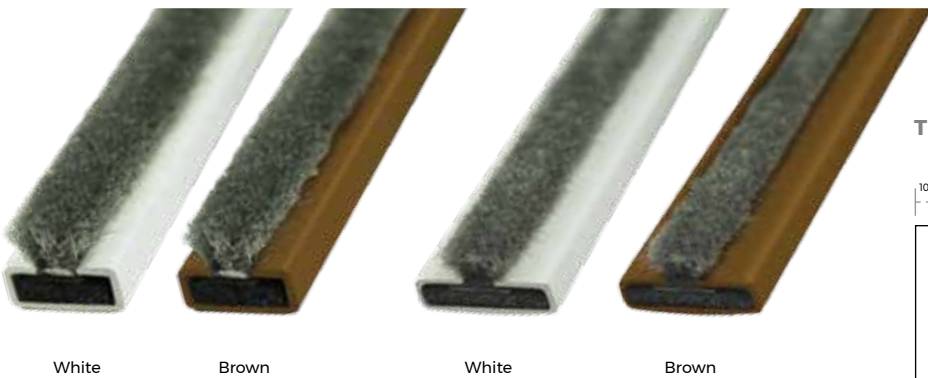
TECHNICAL



TESTED TO;
BS476 part 22
BS EN1634-1



Intumescent Fire & Smoke Seals



White

Brown

White

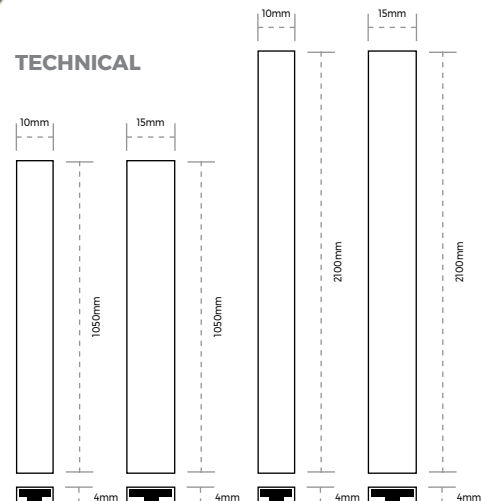
Brown

Intumescent Fire & Smoke Seals, White or Brown, Self Adhesive

SKU	Size	Finish	Package Type	Qty
TUI014.WHT	10 x 4mm x 1.05m	White	Retail Bag	5
TUI015.BRN	10 x 4mm x 1.05m	Brown	Retail Bag	5
TUI016.WHT	15 x 4mm x 1.05m	White	Retail Bag	5
TUI017.BRN	15 x 4mm x 1.05m	Brown	Retail Bag	5
TUI022.WHT	10 x 4mm x 2.1m	White	Retail Bag	50
TUI023.BRN	10 x 4mm x 2.1m	Brown	Retail Bag	50
TUI024.WHT	15 x 4mm x 2.1m	White	Retail Bag	50
TUI025.BRN	15 x 4mm x 2.1m	Brown	Retail Bag	50

N.B: Always check the door manufacturers recommendations.

TECHNICAL



TESTED TO;
BS476 part 22 / BS 476 part 31.1
BS EN1634-1 / BS EN 1634-3



Fire Door Hardware Merchandising

Making it easier for merchants to recommend and the trade to buy.

Merchandised

Each profile is merchandised with top selling everyday products. Each stand comes with the option of additional point of sale support.

Bespoke

The stands can be merchandised to your unique merchant needs and customer requirements, likewise the product range can be tailored to suit you.

Brand

Strong eye catching branding helps to attract customers.

We have a variety of merchandising stand options available - please call SPÄRKA for more details.

Large



Compact



POS is also available

**Wobblers
Shelf Talkers
Door Stops**

Upon request.



Each stand has an option where the lever on round rose door handles can be mounted so you can touch and ergonomically try them. Also provides product recognition and assists with the speed of decision making.

SPÄRKA®

Check out our website

for the latest SPÄRKA products, brochures and detail on certification. Everything you need for fire rated door hardware can be found here.



Follow us on:



for the latest SPÄRKA news and videos.

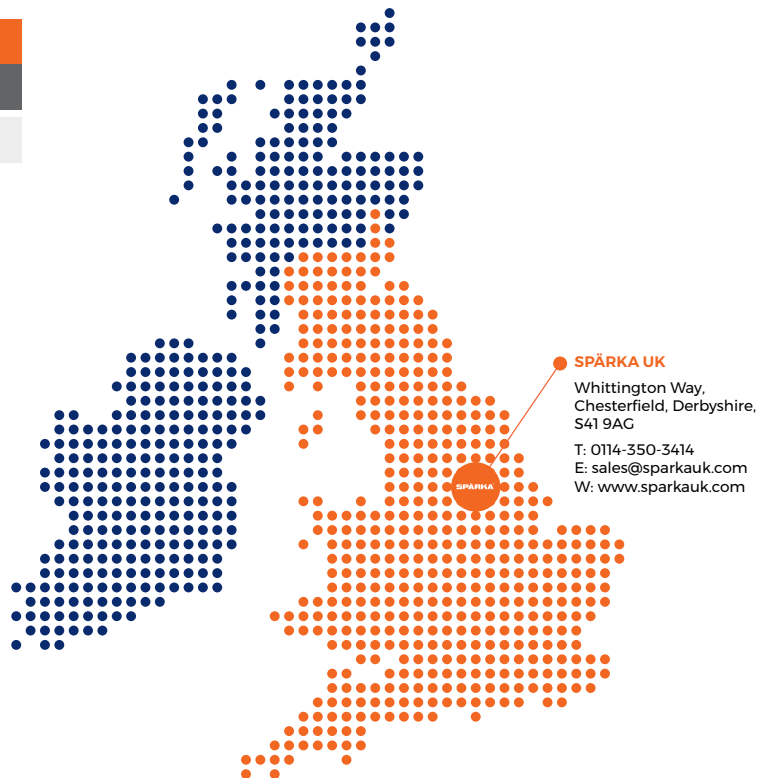
Delivery Information

Mainland UK

Carriage Paid	If Under C/P	Before 12:00am
£150.00	£15.00	£20.00

Northern Ireland, ROI, Highlands and Islands

Carriage Paid	If Under C/P
£300.00	£30.00



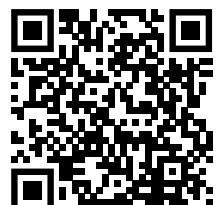
SPÄRKA UK
 Whittington Way,
 Chesterfield, Derbyshire,
 S41 9AC
 T: 0114-350-3414
 E: sales@sparkauk.com
 W: www.sparkauk.com

Here is your handy check list to ensure you have everything you need when buying SPÄRKA fire door hardware...



- A** Fire Door Hinges + Intumescent Hinge Pads
- B** Mortice Latch / Sashlock or Deadlock + Intumescent latch/lock protection
- C** Lever on Rose Handle or Pull Handle/Push Plate
- D** Escutcheons/ Bathroom Thumbturn
- E** Intumescent Seals
- F** Door Closer
- G** Signage e.g FDKS sign

Visit our YouTube Channel to watch all of our latest product and How to Videos





Distributor:



SPÄRKA UK

Whittington Way,
Chesterfield, Derbyshire,
S41 9AG

T: 0114-350-3414
E: sales@sparkauk.com
W: www.sparkauk.com

Follow us on:     

Version 2B - 01/08/22
Measurements, line drawings and photos are provided for guidance only.
E&OE

SPÄRKA®

