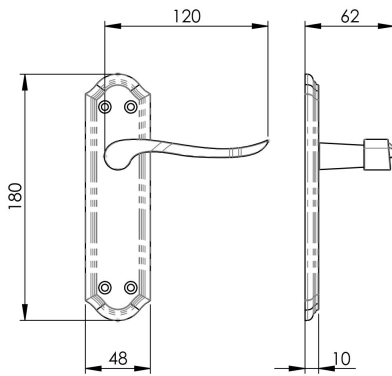


## Lytham Lever on backplate

### DL450 Range



A gently undulating curved handle on a sculpted edge shaped backplate. The lever is slightly longer than normal allowing easy and comfortable operation. The shaped backplate has a unique, stepped design which nicely compliments the lever style. Comes with a 10 year mechanical guarantee and is Fire door rated.

