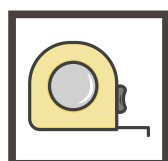


FOLD DOWN GARDEN BAR INSTRUCTIONS

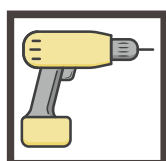
We recommend using the following tools (not supplied):



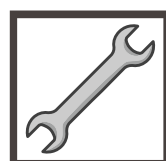
Tape Measure



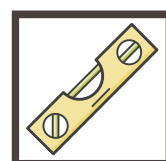
PZ2 Pozidriv
Screwdriver



Drill & 2-3mm
Drill Bits



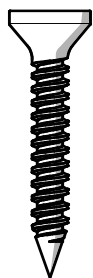
Spanner



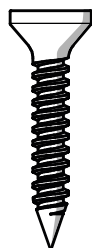
Spirit Level

FIXING PACK CONTAINS:

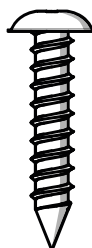
FIXING PACK CODE: *FDGBARFP*



4 x 40mm Screws
QTY: 12



3.5 x 25mm Screws
QTY: 24



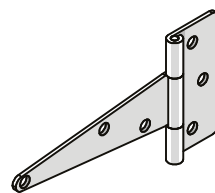
5 x 25mm Screws
QTY: 3



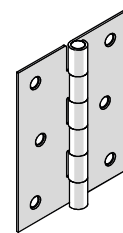
Turn Button
QTY: 3



Back Plate
QTY: 4



Tee Hinges
QTY: 2



Butt Hinges
QTY: 2

PLEASE KEEP PLASTIC BAGS AND SMALL PARTS AWAY FROM CHILDREN.
CHECK AND TIGHTEN ALL THE FIXINGS APPLIED TO THIS PRODUCT ON A REGULAR BASIS.



IMPORTANT

Assembly requires 2+ adults.



REMINDER

Always pre-drill before screwing.

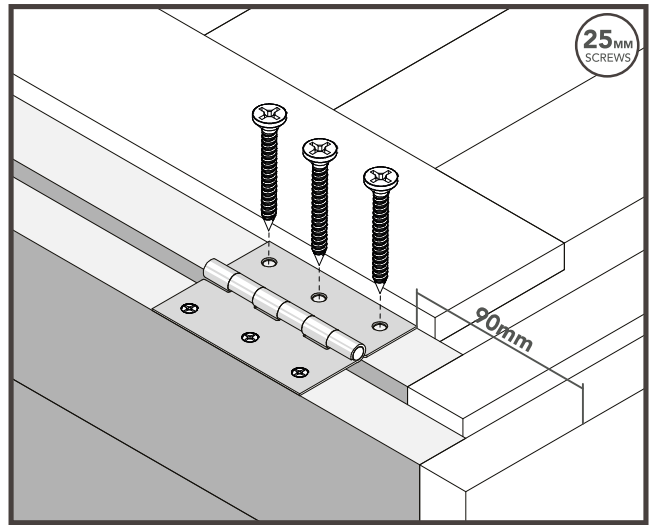
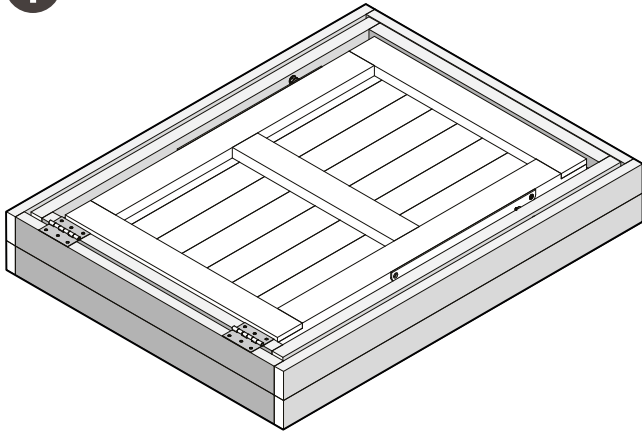
Missing something or need more information?

Call our aftersales team on
0333 321 3142

Visit our website for spare instructions and more information

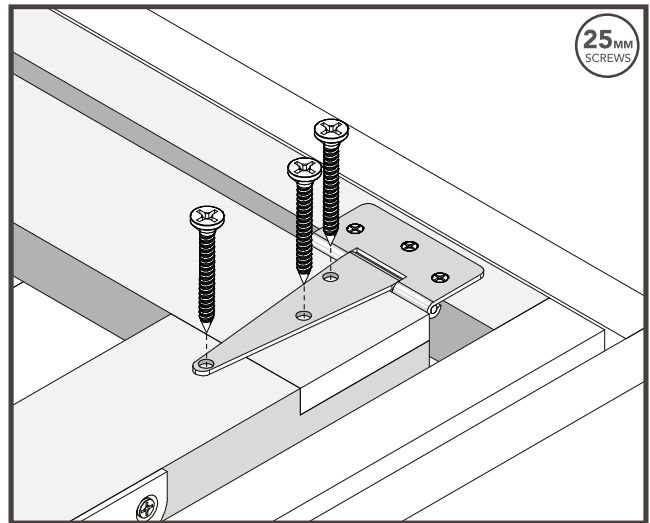
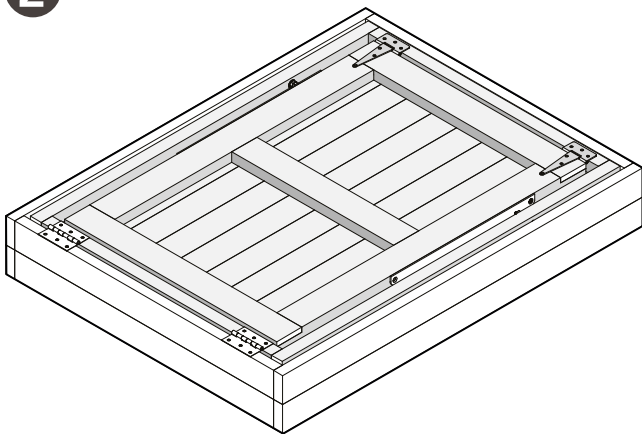
www.forestgarden.co.uk

1



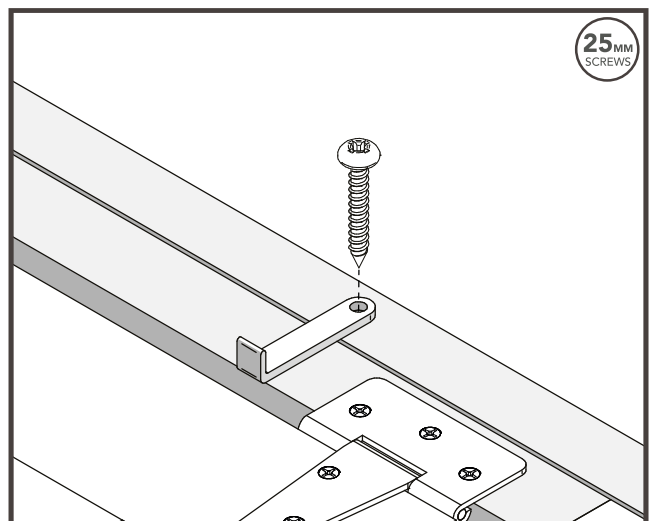
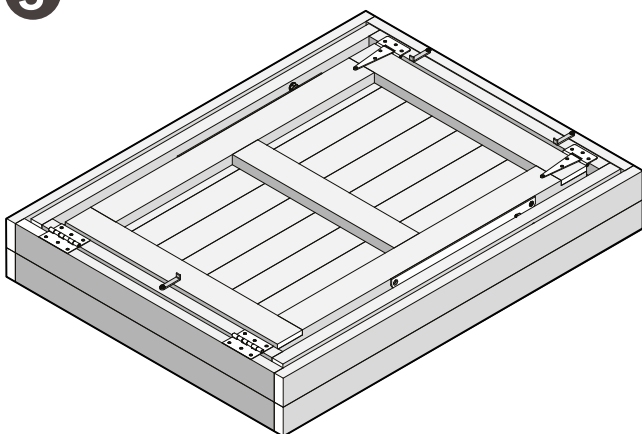
Your garden bar will come pre-packed in order for an easy assembly. **Position and secure your butt hinges to the Shelves and Table framework.** Use the measurement provided as a guide.

2



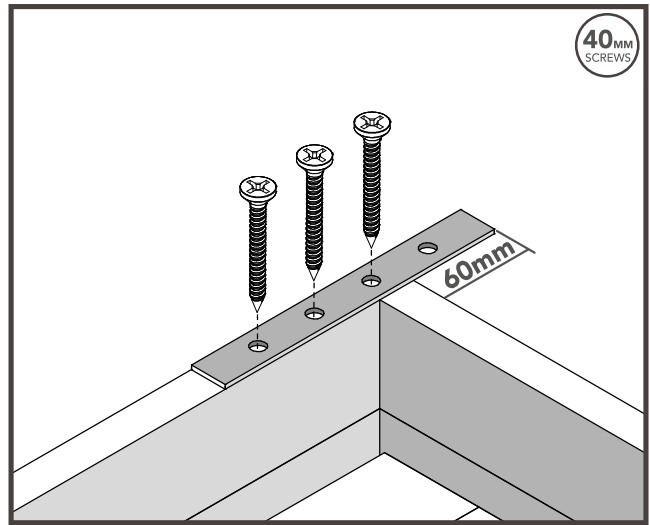
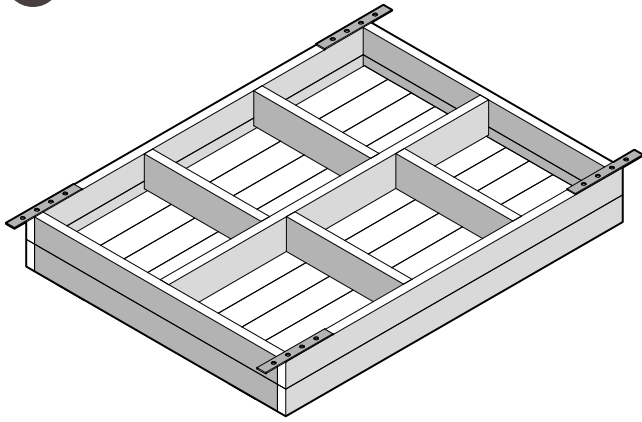
Position and secure your tee hinges to the Table and Leg framework. Ensure to position the tee hinge in the centre of vertical board on the Leg as shown above.

3



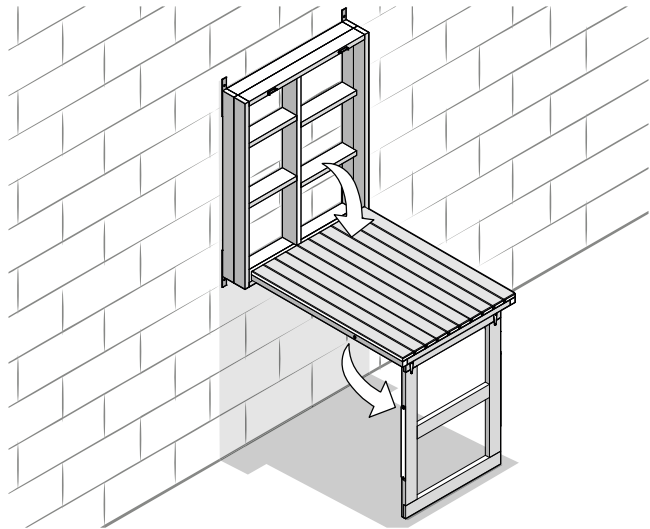
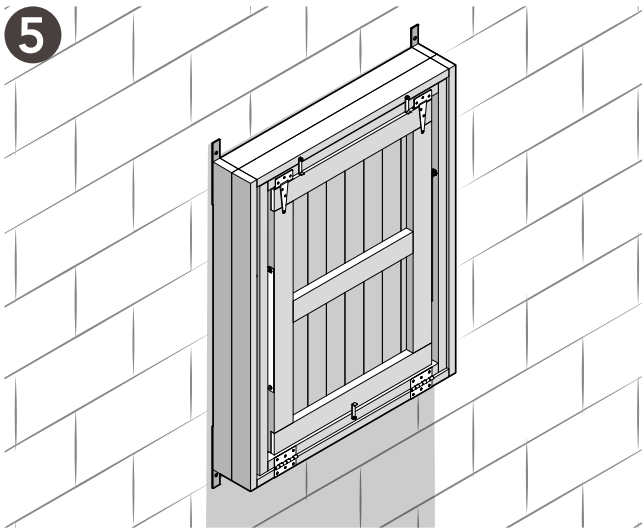
Position and secure the turn buttons as shown above. Secure 2 x turn buttons to the Shelves framework at the top, overlapping the Tables framework. Secure 1 x turn button to the Tables framework at the bottom, overlapping the leg. These will hold all of the components in place.

4



Position and secure the back plates onto the back corners of your garden bar. Use the measurement provided to leave a slight overhang.

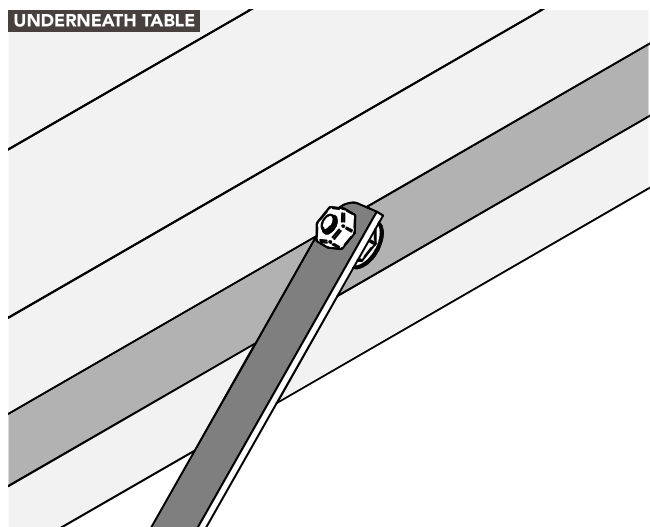
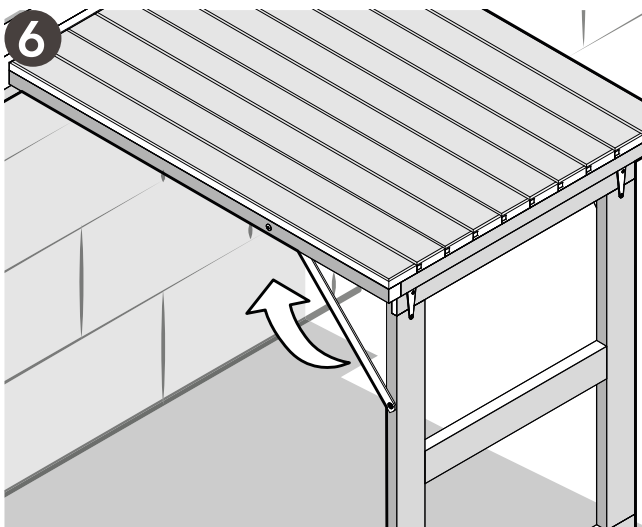
5



YOUR GARDEN BAR MUST BE INSTALLED BY A COMPETENT TRADESPERSON.

Position the garden bar at approximately 826mm from the ground. Unfold the table and leg to ensure the height is correct, using a spirit level before securing to the wall. You will need to purchase your own fixings based on your wall surface when installing the garden bar to your wall. Screw through the top holes of the back plates into the wall with your purchased fixings.

6



We strongly advise you secure your leg, using the leg plates provided for when the table is in use. Unscrew 1 x nut, hook the leg plate onto the bolt and thread the nut back onto the bolt to keep the leg plate in place. Tighten further using a spanner and repeat on the other side.

CHECK YOU HAVE ALL YOUR PARTS.

(The parts do not have codes on them. They are listed below should you need to order one.)

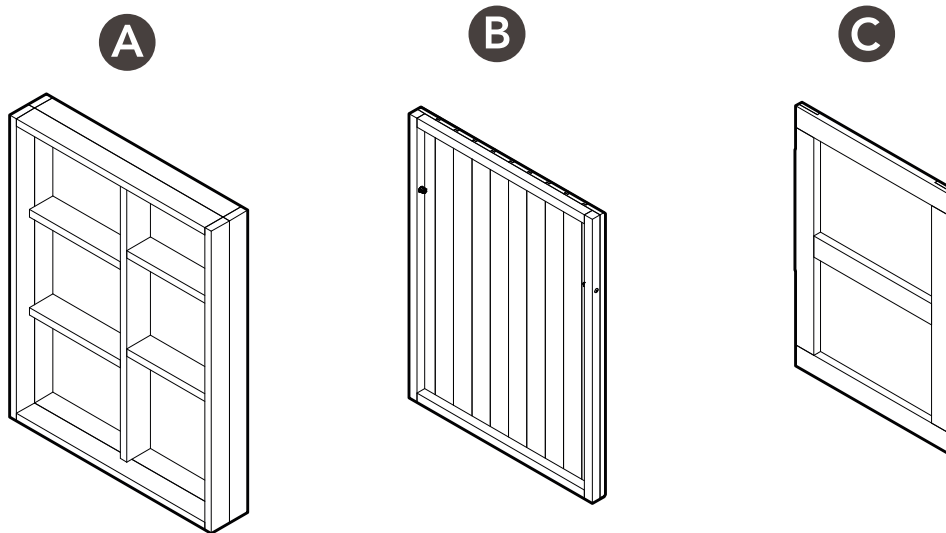
Timber is a natural material of which will shrink and swell as a result of varying moisture content.

Assembly of damaged parts may be deemed to be acceptance and this may affect the remedies you are entitled to. If the product is not constructed in accordance with the instructions, or is altered in anyway (e.g. painted), the manufacturer cannot be held liable for any resulting damage.

The components provided may be heavy. Please lift with caution and with a minimum of 2 people.

Fold Down Garden Bar (FDGBAR)			
Label	Part Code	Description	No.
A	GBARSHELVES	Shelves 770x1000mm	1
B	GBARTABLE	Table 700x940mm	1
C	GBARLEG	Leg 590x860mm	1

Use the labelled components to help identify the part code and description.



HEALTH & SAFETY

DO NOT CLIMB/SIT/STAND ON THIS PRODUCT.

We strongly recommend that PPE (Personal Protective Equipment) is used throughout your build to ensure you are protected from any potential health and safety risks. **Do not exempt yourself from wearing PPE.**



Cut-Resistant
Gloves



Protective
Glasses



Protective
Boots



Protective
Mask

TREATED TIMBER CONTAINING A BIOCIDAL PRODUCT

CONTROL OF WOOD DESTROYING ORGANISMS

Active Ingredients -Basic Copper Carbonate, DDA Carbonate, DDA Chloride. (Pressure Treated)

Wear gloves when handling. Avoid inhalation of sawdust. Do not use in contact with drinking water or food. Do not use for animal bedding or in fish ponds. Dispose of treated wood responsibly. Treated products cannot be recycled as the wood is no longer in its original virgin state.

Once the treatment has dried there is no risk of toxic contamination. The risk would come from the treatment before it is added to our products.