

TREATED TIMBER CONTAINING A BIOCIDAL PRODUCT.

Control of wood destroying organisms.

Active Ingredients : Basic Copper Carbonate. DDA Carbonate. DDA Chloride.

Wear gloves when handling. Avoid inhalation of sawdust. Do not use in contact with drinking water or food. Do not use for animal bedding or in fish ponds. Dispose of treated wood responsibly.

Attention:

- For Domestic Use Only.
- Regularly check that all fixing are tight and secure.
- Be aware of and remove any large splinters.

Pre-drill

for each screw used.



FPCALRB

Tools Required

Not Supplied

Drill/Pozi Drive
Screwdriver



Please check all parts prior to assembly.

Fixing Pack Code = **FPCALRB**



4.0 x 100mm Screw Qty 4

CALRB9090 Parts List



140400900NPT Qty 4

CALRB4518 Parts List



140400450NPT Qty 2



140401800NPT Qty 2

CALRB9018 Parts List



140400900NPT Qty 2



140401800NPT Qty 2

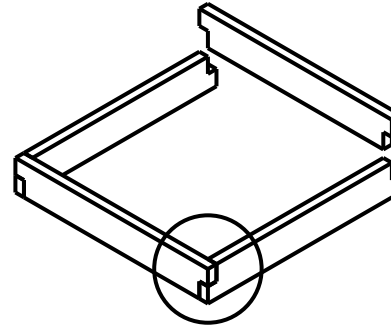
This product is pressure treated to ensure longevity of all timber components and to protect against rot. This may leave a colour difference on some parts that will even out as the moisture content stabilises. This will not need additional treatment.

- Please keep all plastic bags and small parts away from children.
- Timber is a natural material. It will shrink and swell as a result of varying moisture content.

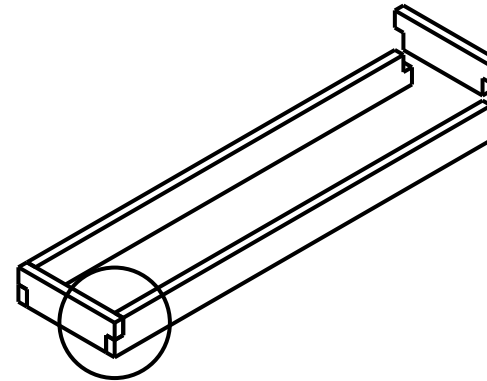
Assembly of damaged parts may be deemed to be acceptance and this may affect the remedies you are entitled to.

If the product is not constructed in accordance with the instructions, or is altered in anyway (e.g. painted), the manufacturer cannot be held liable for any resulting damage.

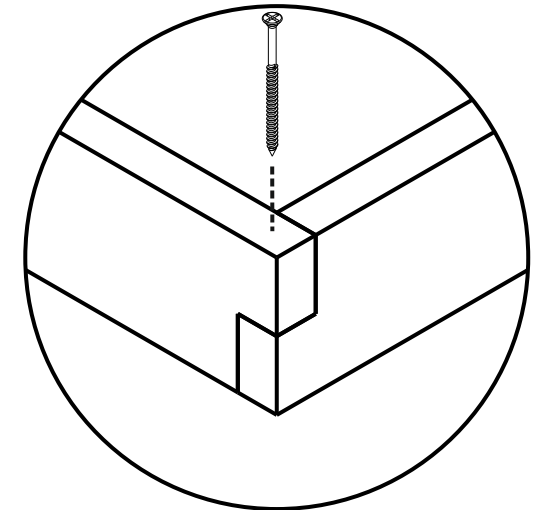
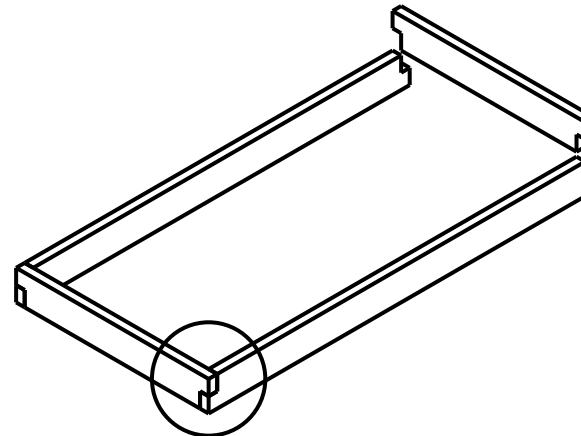
CALRB9090



CALRB4518



CALRB9018



Helpline: **0333 7777 089** 08:3 to 17:00 Monday to Friday