

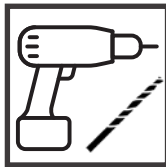
Making British gardens great

# SLATTED WALL PLANTERS INSTRUCTIONS

We recommend using the following tools  
(not supplied):



Pozidrive  
Screwdriver

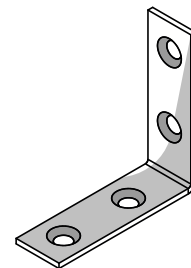


Drill & 2mm  
Drill Bit

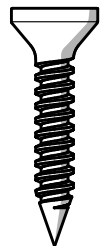


Rubber Mallet

FIXING PACK CONTAINS:



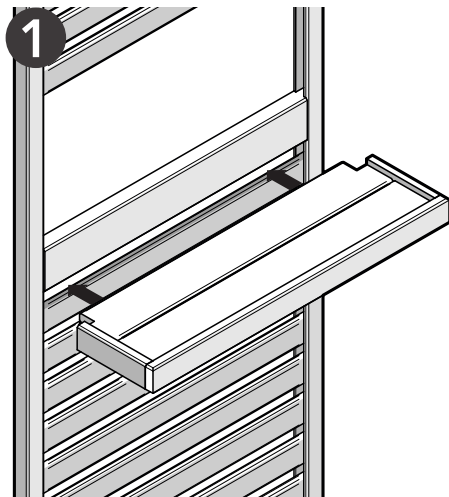
50mm L-Brackets  
QTY: 2



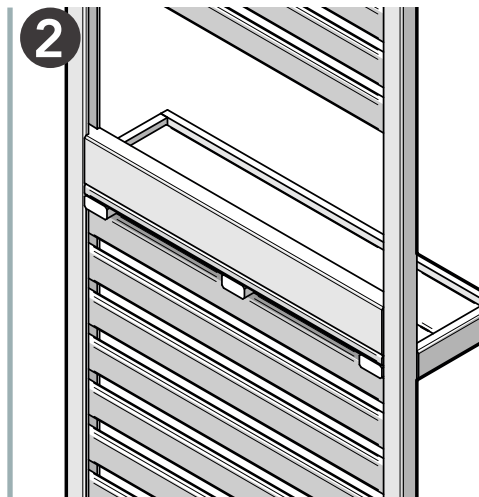
3.5 x 25mm Screws  
QTY: 4

PLEASE KEEP PLASTIC BAGS AND SMALL PARTS AWAY FROM CHILDREN

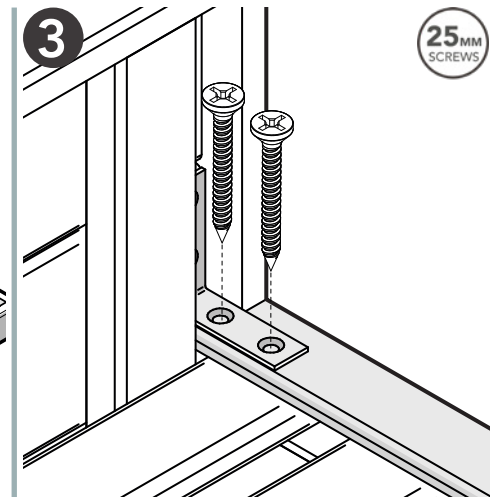
FIXING PACK CODE: SLATWALLPLANTFP



1  
Simply insert the shelf into the gap provided underneath the batten and on top of the slat as shown above.



2  
Ensure the shelf is pushed fully into place. Use a rubber mallet if the shelf is a little tight when inserting.



3  
Slot the L-Bracket into the gap to hold the shelf up. Secure the L-Bracket to the frame. Repeat on the other side.

## Want to fix your trellis to the wall?

Simply search 'how to fix trellis to wall' to find the most suited fixing method for your type of wall. We do not supply the fixings for securing your trellis to the wall. Please follow the safety instructions outlined in the video.

### Missing something or need more information?

Call our aftersales team on  
0333 321 3142

### Visit our website for spare instructions and more information

[www.forestgarden.co.uk](http://www.forestgarden.co.uk)

## CHECK YOU HAVE ALL YOUR PARTS.

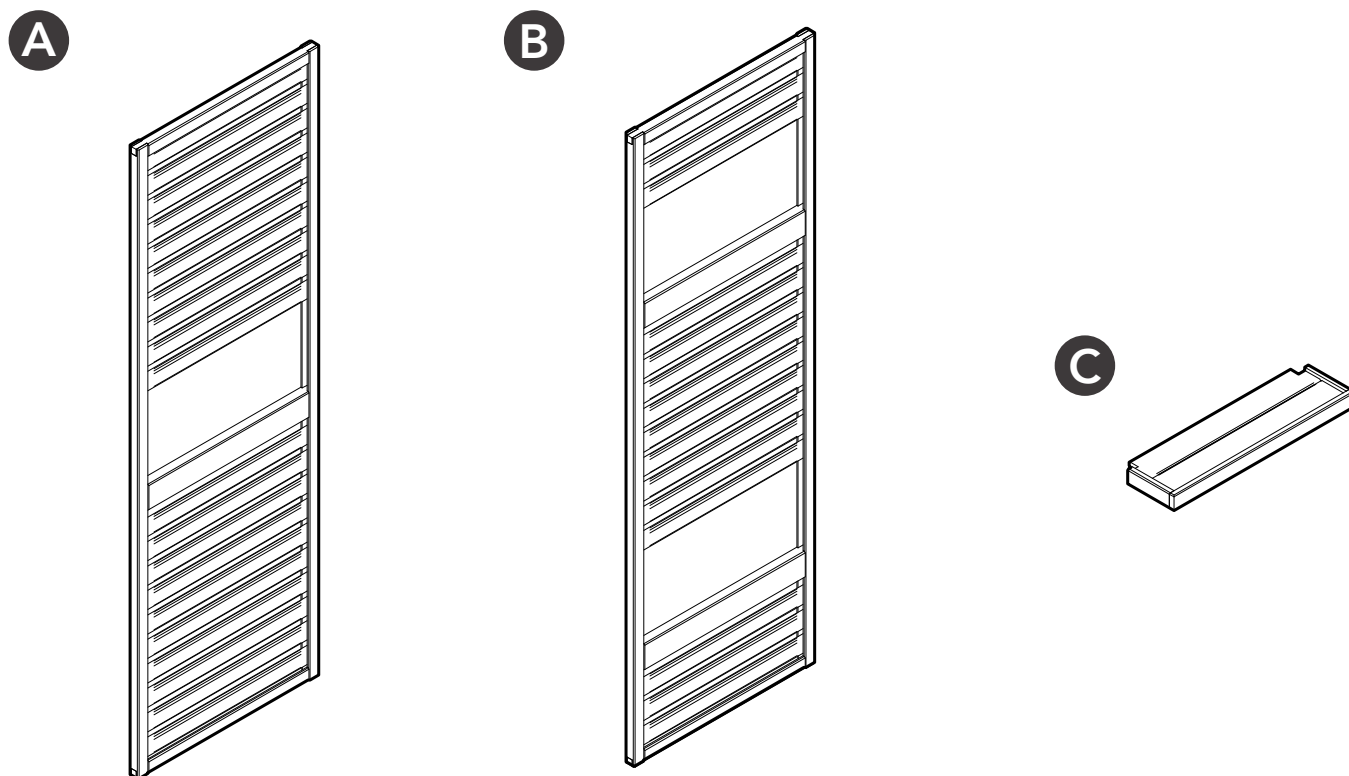
(The parts do not have codes on them. They are listed below should you need to order one.)

The components provided may be heavy. Please lift with caution and with a minimum of 2 people.

Slatted Wall Planter - 1 x Shelf (SLATWALLPLANT1)			
Label	Part Code	Description	No.
A	SLWPPANELV1	Slatted Wall Planter Panel 600x1800x30mm (1 x Opening)	1
C	SLWPSHELF	Shelf 600x183x45mm	1

Slatted Wall Planter - 2 x Shelves (SLATWALLPLANT2)			
Label	Part Code	Description	No.
B	SLWPPANELV2	Slatted Wall Planter Panel 600x1800x30mm (2 x Openings)	1
C	SLWPSHELF	Shelf 600x183x45mm	2

Use the labelled components to help identify the part code and description.



## HEALTH & SAFETY

We strongly recommend that PPE (Personal Protective Equipment) is used throughout your build to ensure you are protected from any potential health and safety risks. **Do not exempt yourself from wearing PPE.**



### TREATED TIMBER CONTAINING A BIOCIDAL PRODUCT CONTROL OF WOOD DESTROYING ORGANISMS

**Active Ingredients** - Propiconazole, Tebuconazole, IPBC, Permethrine, Benzyl-C12-16-Alkyldimethyl Chlorides. (Dip Treated)  
Basic Copper Carbonate, DDA Carbonate, DDA Chloride. (Pressure Treated)

Wear gloves when handling. Avoid inhalation of sawdust. Do not use in contact with drinking water or food. Do not use for animal bedding or in fish ponds. Dispose of treated wood responsibly.