

Heating  
Technical Data

# EHY2KOMB-A



- > EHY2KOMB28AA
- > EHY2KOMB32AA



# TABLE OF CONTENTS

## EHY2KOMB-A

1	Features .....	2
2	Specifications .....	3
	Technical Specifications .....	3
	Electrical Specifications .....	6
3	Dimensional drawings .....	7

# 1 Features

Hybrid technology combining gas and air to water heat pump for heating and hot water

- Top efficiency gas condensing boiler thanks to labyrinth fin heat exchanger for improved heat exchange
- Low running costs for both heating and hot water thanks to new dual heat exchanger
- Maximum heating comfort and domestic hot water when it is most needed
- Quick, easy and compact installation thanks to our optional pre-assembled B-pack, containing all auxiliary components

1



## 2 Specifications

2-1 Technical Specifications					EHY2KOMB28A	EHY2KOMB32A
Central heating	Heat input Qn (net calorific value)	Nom	Min/Max	kW	7.1/23.7	7.6/27.0
	Heat input Qn (gross calorific value)	Nom	Min/Max	kW	8.0/26.3	8.3/30.0
	Output Pn at 80/60°C	Min-Nom		kW	7.1-23.1	7.4-26.6
	Output Pnc at 50/30°C	Min-Nom		kW	7.7-25.4	8.2-28.9
	Efficiency full load heat input	Net calorific value		%	97 (1)	98 (1)
	Operation range	Min			°C	30
	Max			°C	90	
Domestic hot water	Heat input (net calorific value) Qnw	Nom	Min-Max	kW	7.2-29.1	7.6-32.7
	Heat input (gross calorific value) Qnw	Nom	Min-Max	kW	7.9-32.3	8.4-36.2
	Domestic hot water threshold			l/min	2.0	
	Water flow	Rate	Nom	l/min	7.5 (2) / 12.5 (3)	9.0 (2) / 15.0 (3)
	Efficiency	Nom		%	105	
	Operation range	Min			°C	40
	Max			°C	65	

## 2 Specifications

2-1 Technical Specifications			EHY2KOMB28A	EHY2KOMB32A
Gas	Device category		B23 / B33 / C13x / C33x / C43x / C53x / C63x / C83x / C93x	
	Supply pressure	Austria	G20 (20 mbar) / G31 (30-50 mbar)	
		Belgium	G20 (20 mbar) / G25 (25 mbar) / G31 (30 mbar)	
		Bulgaria	G20 (20 mbar) / G31 (30 mbar)	
		Croatia	G20 (20 mbar) / G31 (30 mbar)	
		Cyprus	G20 (20 mbar) / G31 (37 mbar)	
		Czech Republic	G20 (20 mbar) / G31 (37 mbar)	
		Denmark	G20 (20 mbar) / G31 (30 mbar)	
		France	G20 (20 mbar) / G25 (25 mbar) / G31 (30 mbar)	
		Germany	G20 (20 mbar) / G25 (25 mbar) / G31 (28-50 mbar)	
		Greece	G20 (20 mbar) / G31 (37 mbar)	
		Hungaria	G25 (25 mbar) / G31 (30 mbar)	
		Ireland	G20 (20 mbar) / G31 (37 mbar)	
		Italy	G20 (20 mbar), G31 (30 mbar)	
		Latvia	G20 (20 mbar) / G31 (30 mbar)	
		Lithuania	G20 (20 mbar) / G31 (30 mbar)	
		Malta	G31 (30 mbar)	
		Poland	G20 (20 mbar) / G31 (37 mbar)	
		Portugal	G20 (20 mbar) / G31 (37 mbar)	
		Slovakia	G20 (20 mbar) / G31 (30-50 mbar)	
		Slovenia	G20 (20 mbar) / G31 (37 mbar)	
	Spain	G20 (20 mbar) / G31 (30-37 mbar)		
	Switzerland	G20 (20 mbar) / G31 (37 mbar)		
	Turkey	G20 (20 mbar) / G31 (37 mbar)		
	United Kingdom	G20 (20 mbar) / G31 (30-37 mbar)		
	Category	Austria	I12H3P	
		Belgium	I2E(s)3Pc / I3P	
		Bulgaria	I12H3P	
		Croatia	I12H3P	
		Cyprus	I12H3+	
		Czech Republic	I12H3+ / I12H3P	
		Denmark	I12H3P	
		France	I12Es13P	
Germany		I12ELL3P		
Greece		I12H3+		
Hungaria		I12HS3P		
Ireland		I12H3+		
Italy		I12H3P		
Latvia		I12H3P		
Lithuania		I12H3P		
Malta		I3P		
Poland		I12H3P		
Portugal		I12H3+		
Slovakia		I12H3P		
Slovenia		I12H3P		
Spain	I12H3P			
Switzerland	I12H3+			
Turkey	I12H3+			
United Kingdom	I12H3P			
Connection	Diameter	mm	15	
Consumption (G20)	Min-Max	m³/h	0.74-3.02	0.79-3.39
Consumption (G25)	Min-Max	m³/h	0.84-3.46	0.89-3.92
Consumption (G31)	Min-Max	m³/h	0.28-1.15	0.30-1.29
NOx class			6	
Supply air	Connection	mm	100	
	Concentric	Yes		
Flue gas	Connection	mm	60	
System	Connectable heat pump module		EJHA04AAV3	

## 2 Specifications

2-1 Technical Specifications				EHY2KOMB28A		EHY2KOMB32A		
Space heating	General	Prated	kW	23		27		
		P1 (Usefull heat output at 30% of rated heat output and low-temp regime)	kW	7.7		8.8		
		P4 (Useful heat output at rated heat output and high-temp regime)	kW	23.0		27.0		
		ηs (Seasonal space heating efficiency)	%	93				
		η1 (Useful efficiency at 30% of rated heat output and low-temp regime)	%	97.2		97.6		
		η4 (Useful efficiency at rated heat output and high-temp regime)	%	87.8		88.9		
		Seasonal space heating eff. class		A				
	Auxiliary electricity consumption	elmax (at full load)	kW	0.045				
		elmin (at part load)	kW	0.015				
		Psb (Standby mode)	kW	0.002				
	Other	NOx emission	mg/kWh	49		53		
		Pstby (standby heat loss)	kW	0.038				
	Domestic hot water heating	General	Declared load profile		XL			
ηwh (water heating efficiency)			%	87				
Qelec (Daily electricity consumption)			kWh	0.077		0.073		
Qfuel (Daily fuel consumption)			kWh	22.610		22.510		
Water heating energy efficiency class			A					
AEC (Annual electricity consumption)			kWh	17		16		
AFC (Annual fuel consumption)			Gj	18				
Casing	Colour			White - RAL9010				
	Material			Precoated sheet metal				
Dimensions	Unit	Height	Casing	mm	650		710	
		Width		mm	450			
		Depth		mm	240			
	Packed unit	Height		mm	760		820	
		Width		mm	490			
		Depth		mm	270			
Weight	Unit	Full	kg	33		36		
	Packed unit	Empty	kg	34		37		
Packing	Material			Carton / PP (Straps)				
	Weight			kg				1

## 2 Specifications

2-1 Technical Specifications				EHY2KOMB28A	EHY2KOMB32A	
Heat exchanger	Tube material			Copper		
	Body material			Aluminium		
Pump	Type			Yonos Para RS 15/7.5 PWM1		
Water circuit - Domestic hot water side	Piping connections	Diameter	mm	15		
	Piping material			Cu		
Installation place				Indoor		
General	Supplier/ Manufacturer details		Name and address		Intergas Verwarming bv. - Europark Allee 2, 7741 NA Coevorden, The Netherlands	
			Name or trademark		Daikin Europe N.V.	
	Product description		Condensing boiler		Yes	
			Low-temperature boiler		No	
			B1 boiler		No	
			Cogeneration space heater		No	
Combination heater		Yes				
Water circuit - Central heating	Piping connections diameter		mm	22		
	Piping material			Copper		
	Pressure	Heating	Max.	bar	3	
	Air purge valve			Yes (Manually)		
	Drain valve / fill valve			No		
	Manometer			Yes		
	Shut off valve			No		

2-2 Electrical Specifications				EHY2KOMB28A	EHY2KOMB32A
Power supply	Phase/Frequency/Voltage/Voltage range		V	1~/50/230	
IP class	IP			IP44 / B23 & B33 = IP20	
Electrical power consumption	Max.		W	110	
	Standby		W	2	

### Notes

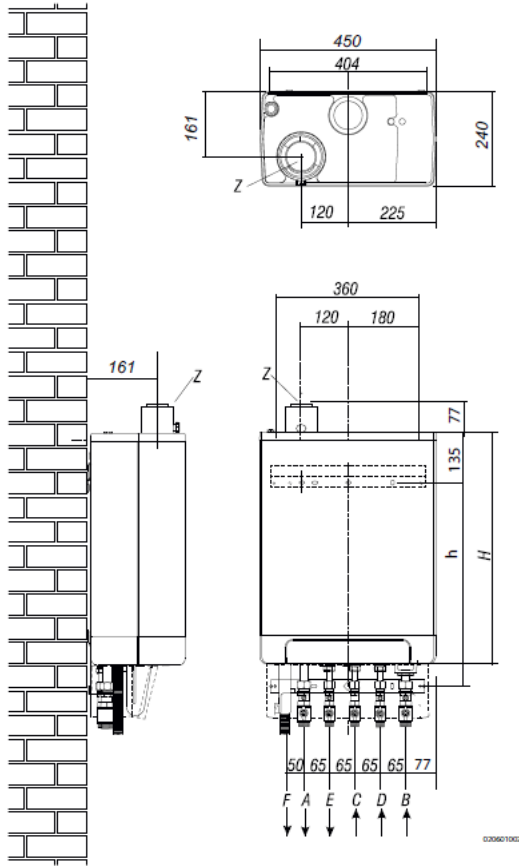
- (1) 80/60
- (2) Setpoint 60°C
- (3) Setpoint 40°C



### 3 Dimensional drawings

#### 3 - 1 Dimensional Drawings

EHY2KOMB-A



Unit + wall bracket

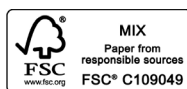
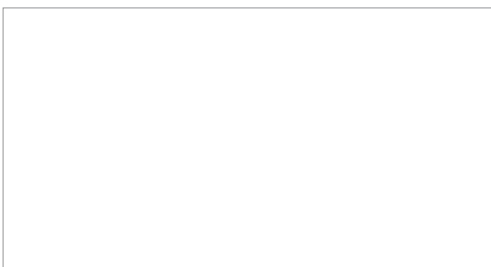
A	Space heating inlet	G·3/4"· (outside diameter)
B	Space heating outlet	G·3/4"· (outside diameter)
C	Gas	G·1/2"· (inside diameter)
D	Instant domestic hot water inlet	R·1/2"·
E	Instant domestic hot water outlet	R·1/2"·
F	Condensate drain	Ø ·DN25· (flexible hose)
h	577mm	EHY2KOMB28AA
	637mm	EHY2KOMB32AA
H	650mm	EHY2KOMB28AA
	710mm	EHY2KOMB32AA
Z	Flue gas outlet/air inlet	Ø ·60/100· (concentric pipe)

3D121405





Daikin Europe N.V. Naamloze Vennootschap - Zandvoordestraat 300, B-8400 Oostende - Belgium - [www.daikin.eu](http://www.daikin.eu) - BE 0412 120 336 - RPR Oostende



EEDEN19 04/19



The present leaflet is drawn up by way of information only and does not constitute an offer binding upon Daikin Europe N.V.. Daikin Europe N.V. has compiled the content of this leaflet to the best of its knowledge. No express or implied warranty is given for the completeness, accuracy, reliability or fitness for particular purpose of its content and the products and services presented therein. Specifications are subject to change without prior notice. Daikin Europe N.V. explicitly rejects any liability for any direct or indirect damage, in the broadest sense, arising from or related to the use and/or interpretation of this leaflet. All content is copyrighted by Daikin Europe N.V.