

VETO

SECURITY & IRONMONGERY

New



Hinges

- Page 199 -

New



Intumescent Door Seals

- Page 207 -



Internal Door Accessories

- Page 208 -



Furniture Fixings

- Page 209 -



Shelving Systems

- Page 211 -

New



Hanging Rails & Systems

- Page 212 -

New



Handrail Brackets

- Page 213 -



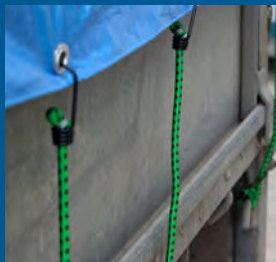
Storage Hooks

- Page 213 -



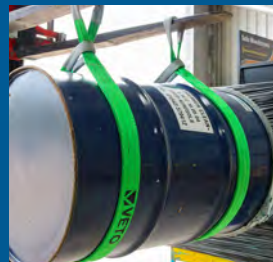
Staple, Hook & Ring on Plates

- Page 213 -



Bungee Cords

- Page 214 -



Lifting Slings

- Page 214 -



Ratchet Straps & Tie Down

- Page 214 -



Ropes & Brick Line

- Page 215 -



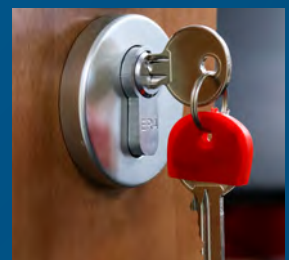
Cables & Chains

- Page 215 -



Padlocks

- Page 216 -



Key Storage & Accessories

- Page 217 -

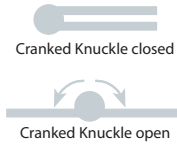
VETO
Steel Hinges



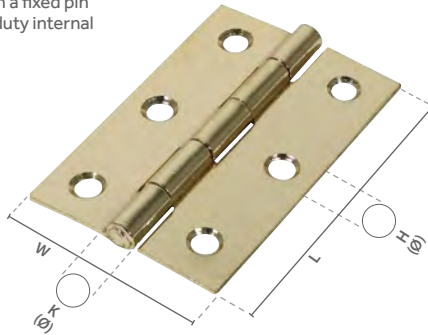
Butt Hinge - Fixed Pin (1838)

Steel

Cranked steel butt hinges with a fixed pin that are ideal for use on light duty internal applications.



Plain Bag



Technical Data

Size L x W (mm)	25 x 25	38 x 34	63 x 44	75 x 50	90 x 60	100 x 70
Thickness (mm)	1.2	1.2	1.5	1.5	1.7	1.7
Knuckle Ø (mm) (K)	5.0	5.6	6.8	7.3	8.7	9.3
Hole Ø (mm) (H)	3.70	4.30	4.50	5.70	6.20	6.00
Rec. Screw Ø (mm)	3.0	3.50	3.50	4.0	4.0	4.5
Rec. Screw Gauge (Imp.)	4	6	6	8	8	9
No. of Screws Required (per pair)	8	8	12	12	12	16
Max. Door Weight (kg)	2	2	10	20	25	30

CORROSION RATING (CR)

- CR 1** Clean, dry & low humidity environments
- CR 2** Occasionally damp/wet, rural and sheltered areas

Self Colour **CR 1**

Product Code	L x W (mm)	Pack Qty	Carton Qty
434005	25 x 25	1 Pair	50
434475	38 x 34	1 Pair	50
434963	75 x 50	1 Pair	30
434841	90 x 60	1 Pair	10
434025	100 x 70	1 Pair	10

TYPE - IDH SUB TYPE - IDH01

Zinc **CR 2**

Product Code	L x W (mm)	Pack Qty	Carton Qty
434364	25 x 25	1 Pair	50
434225	38 x 34	1 Pair	50
434789	63 x 44	1 Pair	30
434831	75 x 50	1 Pair	30
434069	90 x 60	1 Pair	10
434158	100 x 70	1 Pair	10

TYPE - IDH SUB TYPE - IDH02

Electro Brass **CR 2**

Product Code	L x W (mm)	Pack Qty	Carton Qty
434652	25 x 25	1 Pair	50
434587	38 x 34	1 Pair	50
434269	63 x 44	1 Pair	30
434701	75 x 50	1 Pair	30
434456	90 x 60	1 Pair	10
434167	100 x 70	1 Pair	10

TYPE - IDH SUB TYPE - IDH03

Polished Chrome **CR 2**

Product Code	L x W (mm)	Pack Qty	Carton Qty
434607	75 x 50	1 Pair	30
434123	100 x 70	1 Pair	10

TYPE - IDH SUB TYPE - IDH04

Satin Chrome **CR 2**

Product Code	L x W (mm)	Pack Qty	Carton Qty
434817	75 x 50	1 Pair	30
434555	100 x 70	1 Pair	10

TYPE - IDH SUB TYPE - IDH05

Black **CR 2**

Product Code	L x W (mm)	Pack Qty	Carton Qty
434329	75 x 50	1 Pair	30
434401	100 x 70	1 Pair	10

TYPE - IDH SUB TYPE - IDH06

White **CR 2**

Product Code	L x W (mm)	Pack Qty	Carton Qty
434099	75 x 50	1 Pair	30
434303	100 x 70	1 Pair	10

TYPE - IDH SUB TYPE - IDH07

Screws

Fasteners & Fixings

Anchors

Nails

Tapes & Adhesives

Building Chemicals

Power Tool Accessories

Hand Tools & Accessories

Site Protection

Builders Metal Work

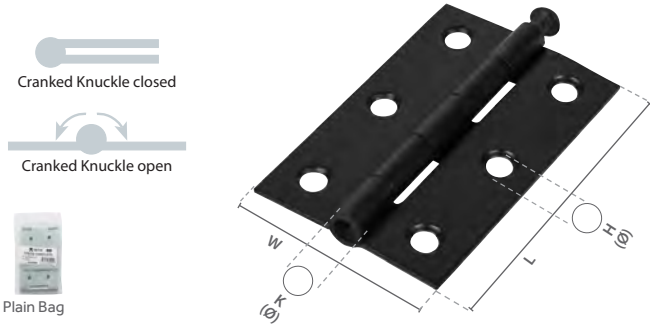
Security & Ironmongery

Gate & Fence Hardware

Butt Hinge - Loose Pin (1840)

Steel

These cranked steel butt hinges with a loose pin are ideal for use on light duty internal applications. The hinge features a removable pin to enable quick door hanging and removal at a later date.



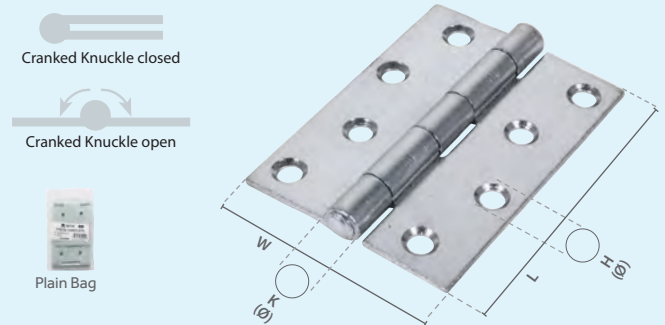
Technical Data				
Size L x W (mm)		75 x 50	90 x 60	100 x 71
Thickness (mm)		1.5	1.7	1.7
Knuckle Ø (mm)	(K)	7.2	8.7	9.3
Hole Ø (mm)	(H)	5.70	6.20	6.00
Rec. Screw Ø (mm)		4.0	4.0	4.5
Rec. Screw Gauge (Imp.)		8	8	9
No. of Screws Required (per pair)		12	12	16
Max. Door Weight (kg)		20	25	30

CORROSION RATING (CR): **CR 2** Occasionally damp/wet, rural and sheltered areas

Strong Butt Hinge (451)

Steel

Heavy duty cranked steel butt hinges with a fixed pin are manufactured from a thicker gauge of steel and are ideal for use on heavy duty internal doors.



Technical Data	
Size L x W (mm)	100 x 73
Thickness (mm)	2.5
Knuckle Ø (mm)	(K) 12.0
Hole Ø (mm)	(H) 7.30
Rec. Screw Ø (mm)	5.0
Rec. Screw Gauge (Imp.)	10
No. of Screws Required (per pair)	16
Max. Door Weight (kg)	40

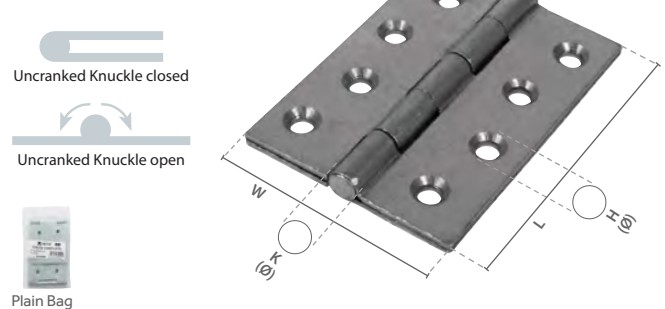
Zinc			CR 2
Product Code	L x W (mm)	Pack Qty	Carton Qty
434569	100 x 73	1 Pair	10
TYPE - IDH		SUB TYPE - IDH15	

CORROSION RATING (CR): **CR 2** Occasionally damp/wet, rural and sheltered areas

Double Pressed Butt Hinge (899)

Steel

Double pressed hinges feature hinge leaves that are pressed with two layers of steel to increase the strength of the hinge making them ideal for high use internal doors in public areas.




Technical Data		
Size L x W (mm)		102 x 72
Thickness (mm)		4.0
Knuckle Ø (mm)	(K)	10.5
Hole Ø (mm)	(H)	6.80
Rec. Screw Ø (mm)		5.0
Rec. Screw Gauge (Imp.)		10
No. of Screws Required (per pair)		16
Max. Door Weight (kg)		80

CORROSION RATING (CR)

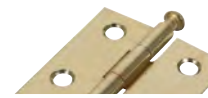
CR 1 Clean, dry & low humidity environments **CR 2** Occasionally damp/wet, rural and sheltered areas

Self Colour				CR 1	Zinc				CR 2
Product Code	L x W (mm)	Pack Qty	Carton Qty		Product Code	L x W (mm)	Pack Qty	Carton Qty	
434835	102 x 72	1 Pair	5		434610	102 x 72	1 Pair	5	
TYPE - IDH		SUB TYPE - IDH29			TYPE - IDH		SUB TYPE - IDH30		




Zinc **CR 2**

Product Code	L x W (mm)	Pack Qty	Carton Qty
434642	75 x 50	1 Pair	30
434317	90 x 60	1 Pair	10
434482	100 x 71	1 Pair	10
TYPE - IDH		SUB TYPE - IDH09	




Electro Brass **CR 2**

Product Code	L x W (mm)	Pack Qty	Carton Qty
434659	75 x 50	1 Pair	30
434208	90 x 60	1 Pair	10
434101	100 x 71	1 Pair	10
TYPE - IDH		SUB TYPE - IDH10	




Polished Chrome **CR 2**

Product Code	L x W (mm)	Pack Qty	Carton Qty
434435	75 x 50	1 Pair	30
434237	90 x 60	1 Pair	10
434118	100 x 71	1 Pair	10
TYPE - IDH		SUB TYPE - IDH11	




Satin Chrome **CR 2**

Product Code	L x W (mm)	Pack Qty	Carton Qty
434006	75 x 50	1 Pair	30
434520	100 x 71	1 Pair	10
TYPE - IDH		SUB TYPE - IDH12	



Black **CR 2**

Product Code	L x W (mm)	Pack Qty	Carton Qty
434655	75 x 50	1 Pair	30
434319	100 x 71	1 Pair	10
TYPE - IDH		SUB TYPE - IDH13	



White **CR 2**

Product Code	L x W (mm)	Pack Qty	Carton Qty
434720	75 x 50	1 Pair	30
434498	100 x 71	1 Pair	10
TYPE - IDH		SUB TYPE - IDH14	

Screws
Fasteners & Fixings
Anchors
Nails
Tapes & Adhesives
Building Chemicals
Powertool Accessories
Hand Tools & Accessories
Site Protection
Builders Metal Work
Security & Ironmongery
Gate & Fence Hardware

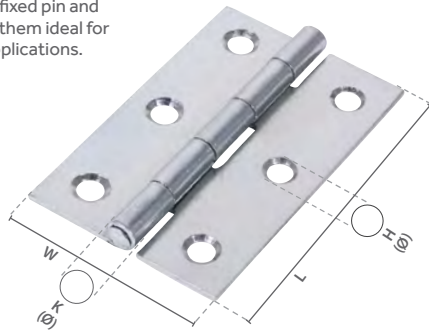
Narrow Uncranked Butt Hinge (5050)

Steel

An uncranked hinge with a fixed pin and narrow hinge leaves making them ideal for thinner doors in internal applications.



Plain Bag



Technical Data				
Size L x W (mm)	75 x 48	100 x 58	127 x 65	150 x 75
Thickness (mm)	1.5	1.5	1.7	2.0
Knuckle Ø (mm)	(K) 7.2	8.3	8.8	9.0
Hole Ø (mm)	(H) 6.00	5.90	6.30	6.30
Rec. Screw Ø (mm)	4.0	4.0	5.0	5.0
Rec. Screw Gauge (Imp.)	8	8	10	10
No. of Screws Required (per pair)	12	16	16	16
Max. Door Weight (kg)	20	30	40	50

CORROSION RATING (CR)

CR 1 Clean, dry & low humidity environments

CR 2 Occasionally damp/wet, rural and sheltered areas



Self Colour

CR 1

Product Code	L x W (mm)	Pack Qty	Carton Qty
434645	75 x 48	1 Pair	30
434324	100 x 58	1 Pair	10
434422	127 x 65	1 Pair	10
434119	150 x 75	1 Pair	5
TYPE - IDH		SUB TYPE - IDH39	



Zinc

CR 2

Product Code	L x W (mm)	Pack Qty	Carton Qty
434015	75 x 48	1 Pair	30
434255	100 x 58	1 Pair	10
434149	127 x 65	1 Pair	10
434999	150 x 75	1 Pair	5
TYPE - IDH		SUB TYPE - IDH40	

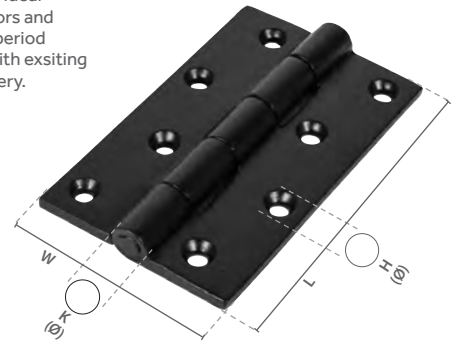
Cast Iron Butt Hinge (200)

IRON

Cast iron butt hinges are ideal for low use domestic doors and are commonly fitted on period properties to match in with existing cast iron door ironmongery.



Plain Bag



Technical Data		
Size L x W (mm)	75 x 50	102 x 60
Thickness (mm)	3.5	4.0
Knuckle Ø (mm)	(K) 12.0	12.0
Hole Ø (mm)	(H) 4.80	5.00
Rec. Screw Ø (mm)	4.0	4.5
Rec. Screw Gauge (Imp.)	8	9
No. of Screws Required (per pair)	12	16
Max. Door Weight (kg)	20	30

CORROSION RATING (CR)

CR 1 Clean, dry & low humidity environments

CR 2 Occasionally damp/wet, rural and sheltered areas



Self Colour

CR 1

Product Code	L x W (mm)	Pack Qty	Carton Qty
434176	75 x 50	1 Pair	10
434444	102 x 60	1 Pair	10
TYPE - IDH		SUB TYPE - IDH35	



Black

CR 2

Product Code	L x W (mm)	Pack Qty	Carton Qty
434905	75 x 50	1 Pair	10
434731	102 x 60	1 Pair	10
TYPE - IDH		SUB TYPE - IDH36	

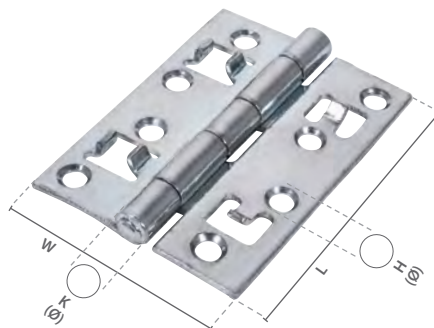
Strong Security Hinge (451/S)

Steel

Strong security butt hinges are ideal for high use public areas. The hinge features interlocking lugs on the leaf of the hinge which prevent the door being removed in the event of the hinge pin being attacked and removed.



Plain Bag



Technical Data	
Size L x W (mm)	100 x 72.5
Thickness (mm)	2.5
Knuckle Ø (mm)	(K) 12.0
Hole Ø (mm)	(H) 7.40
Rec. Screw Ø (mm)	5.0
Rec. Screw Gauge (Imp.)	10
No. of Screws Required (per pair)	16
Max. Door Weight (kg)	40

Zinc

CR 2

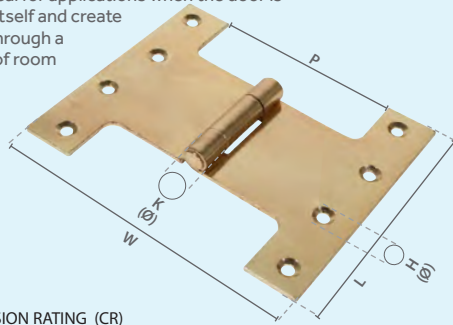
Product Code	L x W (mm)	Pack Qty	Carton Qty
434210	100 x 72.5	1 Pair	10
TYPE - IDH		SUB TYPE - IDH31	

CORROSION RATING (CR): **2** Occasionally damp/wet, rural and sheltered areas

Parliament Hinge (488)

Steel

Steel Parliament Hinges are ideal for internal doors. They are commonly fitted when projecting architraves would prevent the door from opening properly if they were fitted with normal butt hinges. They also allow the door to open to 180 degrees making them ideal for applications when the door is required to fold back on itself and create the maximum opening through a doorway and utilisation of room space.



CORROSION RATING (CR)

CR 2 Occasionally damp/wet, rural rural and sheltered areas

Technical Data

Size L x W (mm)	125 x 50
Thickness (mm)	2.2
Knuckle Ø (mm)	(K) 13.3
Hole Ø (mm)	(H) 6.00
Rec. Screw Ø (mm)	5.0
Rec. Screw Gauge (Imp.)	10
No. of Screws Required (per pair)	16
Max. Door Weight (kg)	40
Projection (mm)	(P) 100



Zinc

CR 2

Product Code	L x W (mm)	Pack Qty	Carton Qty
434528	125 x 50	1 Pair	4

TYPE - IDH SUB TYPE - IDH37



Electro Brass

CR 2

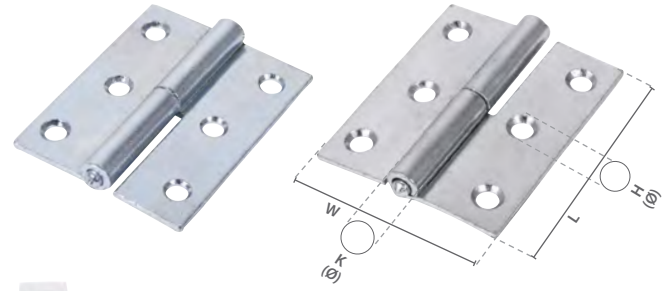
Product Code	L x W (mm)	Pack Qty	Carton Qty
434780	125 x 50	1 Pair	4

TYPE - IDH SUB TYPE - IDH38

Lift Off Hinge (457)

Steel

Lift off hinges are designed to enable the door to be lifted out of the frame after being fitted making them ideal for applications where regular cleaning, decorating or moving of furniture is required.

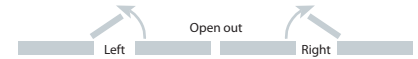


Technical Data

Size L x W (mm)	75 x 62	101 x 63
Thickness (mm)	2.0	3.0
Knuckle Ø (mm)	(K) 10.3	13
Hole Ø (mm)	(H) 6.50	6.0
Rec. Screw Ø (mm)	4.0	5.0
Rec. Screw Gauge (Imp.)	8	10
No. of Screws Required (per pair)	12	16
Max. Door Weight (kg)	20	30

CORROSION RATING (CR)

CR 2 Occasionally damp/wet, rural and sheltered areas



Zinc

CR 2

Product Code	L x W (mm)	Pack Qty	Carton Qty
LEFT HAND			
434706	75 x 62	1 Pair	10
434815	101 x 63	1 Pair	10

TYPE - IDH SUB TYPE - IDH41



Zinc

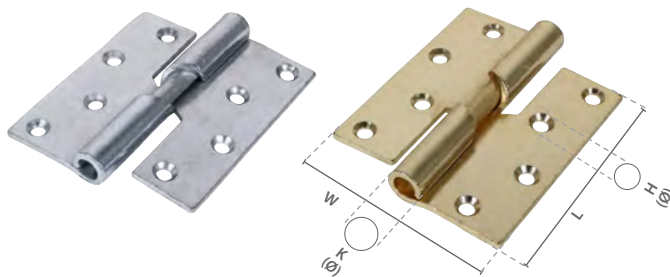
CR 2

Product Code	L x W (mm)	Pack Qty	Carton Qty
RIGHT HAND			
434467	75 x 62	1 Pair	10
434307	101 x 63	1 Pair	10

TYPE - IDH SUB TYPE - IDH41

Rising Butt Hinge (466)

Steel



Steel rising hinges feature a spiral knuckle that lifts the door throughout the opening cycle making it ideal for applications where there is an uneven floor surface or obstructions such as deep pile carpets. The spiral feature will also enable to the door to self close making this a popular hinge choice for toilet or cubicle doors. As the knuckle is not fixed, it enables the door to be lifted off the hinge making them ideal for situations when doors need to be removed for decorating or moving furniture.

Technical Data

Size L x W (mm)	75 x 72	100 x 86
Thickness (mm)	2.5	3.0
Knuckle Ø (mm)	(K) 14.0	15.5
Hole Ø (mm)	(H) 4.60	6.90
Rec. Screw Ø (mm)	4.0	5.0
Rec. Screw Gauge (Imp.)	8	10
No. of Screws Required (per pair)	12	16
Max. Door Weight (kg)	30	40

CORROSION RATING (CR)

CR 2 Occasionally damp/wet, rural and sheltered areas



Zinc

CR 2

Product Code	L x W (mm)	Pack Qty	Carton Qty
LEFT HAND			
434910	75 x 72	1 Pair	10
434157	100 x 86	1 Pair	5

TYPE - IDH SUB TYPE - IDH22



Zinc

CR 2

Product Code	L x W (mm)	Pack Qty	Carton Qty
RIGHT HAND			
434349	75 x 72	1 Pair	10
434792	100 x 86	1 Pair	5

TYPE - IDH SUB TYPE - IDH22



Electro Brass

CR 2

Product Code	L x W (mm)	Pack Qty	Carton Qty
LEFT HAND			
434483	75 x 72	1 Pair	10
434458	100 x 86	1 Pair	5

TYPE - IDH SUB TYPE - IDH23



Electro Brass

CR 2

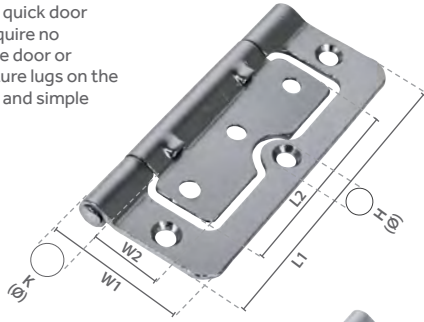
Product Code	L x W (mm)	Pack Qty	Carton Qty
RIGH HAND			
434639	75 x 72	1 Pair	10
434127	100 x 86	1 Pair	5

TYPE - IDH SUB TYPE - IDH23

Hurlinge - Fixed Pin (104)

Steel

Hurlinges enable quick door fitting as they require no morticing into the door or frame. They feature lugs on the knuckle for quick and simple lining up.



Plain Bag

CORROSION RATING (CR)

CR 2 Occasionally damp/wet, rural and sheltered areas

Technical Data		
Size L x W (mm)	75 x 55	101 x 66
L1 x W1 (mm)	75 x 31	101 x 39
L2 x W2 (mm)	47 x 24	66 x 27
Thickness (mm)	1.5	2.0
Knuckle Ø (mm)	(K) 8.0	9.0
Hole Ø (mm)	(H) 4.60	5.80
Rec. Screw Ø (mm)	3.5	4.0
Rec. Screw Gauge (Imp.)	6	8
No. of Screws Required (per pair)	12	12
Max. Door Weight (kg)	20	30

Zinc **CR 2**

Product Code	L x W (mm)	Pack Qty	Carton Qty
434457	75 x 55	1 Pair	30
434142	101 x 66	1 Pair	10
TYPE - IDH		SUB TYPE - IDH16	

Electro Brass **CR 2**

Product Code	L x W (mm)	Pack Qty	Carton Qty
434367	75 x 55	1 Pair	30
434819	101 x 66	1 Pair	10
TYPE - IDH		SUB TYPE - IDH17	

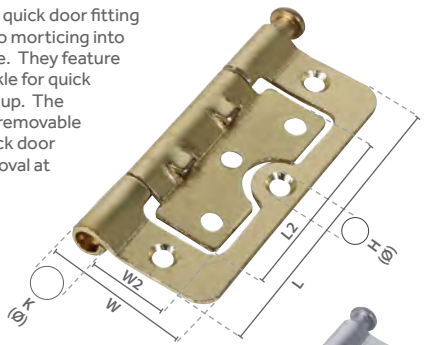
Polished Chrome **CR 2**

Product Code	L x W (mm)	Pack Qty	Carton Qty
434202	75 x 55	1 Pair	30
434666	101 x 66	1 Pair	10
TYPE - IDH		SUB TYPE - IDH18	

Hurlinge - Loose Pin (104Z)

Steel

Hurlinges enable quick door fitting as they require no morticing into the door or frame. They feature lugs on the knuckle for quick and simple lining up. The hinge features a removable pin to enable quick door hanging and removal at a later date.



Plain Bag

CORROSION RATING (CR)

CR 2 Occasionally damp/wet, rural and sheltered areas

Technical Data		
Size L x W (mm)	75 x 52	100 x 66
L1 x W1 (mm)	75 x 31	100 x 39
L2 x W2 (mm)	47 x 24	66 x 27
Thickness (mm)	1.5	2.0
Knuckle Ø (mm)	(K) 8.0	9.0
Hole Ø (mm)	(H) 4.60	5.80
Rec. Screw Ø (mm)	3.5	4.0
Rec. Screw Gauge (Imp.)	6	8
No. of Screws Required (per pair)	12	12
Max. Door Weight (kg)	20	30

Zinc **CR 2**

Product Code	L x W (mm)	Pack Qty	Carton Qty
434002	75 x 52	1 Pair	30
434432	100 x 66	1 Pair	10
TYPE - IDH		SUB TYPE - IDH19	

Electro Brass **CR 2**

Product Code	L x W (mm)	Pack Qty	Carton Qty
434976	75 x 52	1 Pair	30
434728	100 x 66	1 Pair	10
TYPE - IDH		SUB TYPE - IDH20	

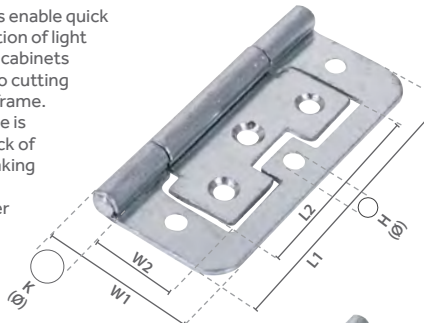
Polished Chrome **CR 2**

Product Code	L x W (mm)	Pack Qty	Carton Qty
434641	75 x 52	1 Pair	30
434258	100 x 66	1 Pair	10
TYPE - IDH		SUB TYPE - IDH21	

Flush Hinge (105)

Steel

Steel flush hinges enable quick and easy installation of light internal doors or cabinets as they require no cutting into the door or frame. The hinge knuckle is flush with the back of the hinge leaf making them a popular choice for lay over doors.



Plain Bag

CORROSION RATING (CR)

CR 2 Occasionally damp/wet, rural and sheltered areas

Technical Data				
Size L x W (mm)	38 x 28	50 x 38.5	63 x 37	75 x 51
L1 x W1 (mm)	38 x 16	50 x 22	63 x 22	75 x 30
L2 x W2 (mm)	22 x 12	32 x 15	36 x 15	50 x 21
Thickness (mm)	1.2	1.2	1.2	1.5
Knuckle Ø (mm)	(K) 6.5	6.5	6.5	8.0
Hole Ø (mm)	(H) 4.60	4.60	4.60	4.75
Rec. Screw Ø (mm)	3.5	3.5	3.5	3.5
Rec. Screw Gauge (Imp.)	6	6	6	6
No. of Screws Required (per pair)	10	10	10	10
Max. Door Weight (kg)	2	5	10	12

Zinc **CR 2**

Product Code	L x W (mm)	Pack Qty	Carton Qty
434451	38 x 28	1 Pair	50
434056	50 x 38.5	1 Pair	50
434900	63 x 37	1 Pair	30
434777	75 x 51	1 Pair	30
TYPE - IDH		SUB TYPE - IDH24	

Electro Brass **CR 2**

Product Code	L x W (mm)	Pack Qty	Carton Qty
434464	38 x 28	1 Pair	50
434872	50 x 38.5	1 Pair	50
434946	63 x 37	1 Pair	30
434174	75 x 51	1 Pair	30
TYPE - IDH		SUB TYPE - IDH25	

White **CR 2**

Product Code	L x W (mm)	Pack Qty	Carton Qty
434333	38 x 28	1 Pair	50
434915	50 x 38.5	1 Pair	50
434781	63 x 37	1 Pair	30
434749	75 x 51	1 Pair	30
TYPE - IDH		SUB TYPE - IDH26	

Screws

Fasteners & Fixings

Anchors

Nails

Tapes & Adhesives

Building Chemicals

PowerTool Accessories

Hand Tools & Accessories

Site Protection

Builders Metal Work

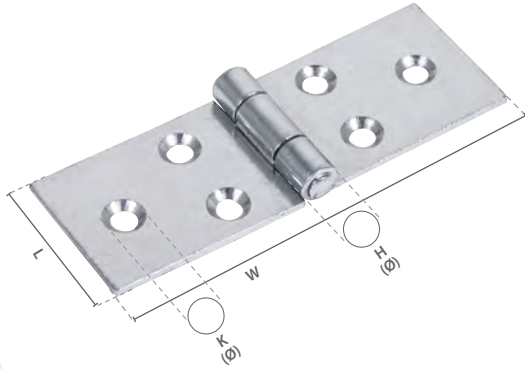
Security & Ironmongery

Gate & Fence Hardware

Backflap Hinge - Uncranked Knuckle (404)

Steel

Steel backflap hinges are ideal for a wide variety of applications where a hinge is required to be screwed the face of the door, commonly when the door material is too thin for butt hinges.



Plain Bag



Uncranked Knuckle closed



Uncranked Knuckle open

Technical Data

Size L x W (mm)	25 x 74	32 x 76	38 x 87	50 x 106	65 x 147	75 x 167
Thickness (mm)	1.5	1.5	1.5	2.0	2.3	2.5
Knuckle Ø (mm) (K)	6.6	6.6	7.7	8.8	8.8	8.8
Hole Ø (mm) (H)	3.90	4.70	6.30	5.30	5.30	5.30
Rec. Screw Ø (mm)	3.5	3.5	4.0	4.5	4.5	4.5
Rec. Screw Gauge (Imp.)	8	8	8	9	9	9
No. of Screws Required (per pair)	12	12	12	12	12	12

CORROSION RATING (CR)

CR 1 Clean, dry & low humidity environments

CR 2 Occasionally damp/wet, rural and sheltered areas



Self Colour

CR 1

Product Code	L x W (mm)	Pack Qty	Carton Qty
434328	25 x 74	1 Pair	25
434461	32 x 76	1 Pair	25
434783	38 x 87	1 Pair	25
434029	50 x 106	1 Pair	25
434164	65 x 147	1 Pair	10
434322	75 x 167	1 Pair	10

TYPE - IDH SUB TYPE - IDH27



Zinc

CR 2

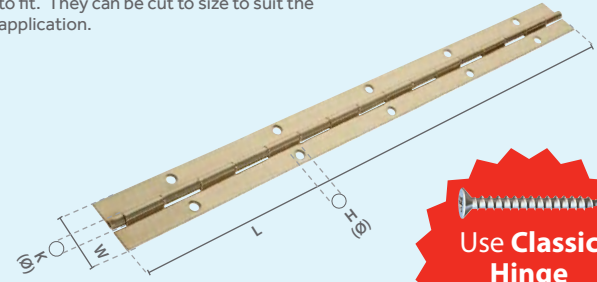
Product Code	L x W (mm)	Pack Qty	Carton Qty
434534	25 x 74	1 Pair	25
434846	32 x 76	1 Pair	25
434715	38 x 87	1 Pair	25
434843	50 x 106	1 Pair	25
434554	65 x 147	1 Pair	10
434791	75 x 167	1 Pair	10

TYPE - IDH SUB TYPE - IDH28

Piano Hinge

Steel

Piano hinges are also known as continuous hinges and are commonly fitted to piano lids. Additionally they have a wide variety of other uses and provide a neat solution for hinging any door or lid. The hinges do not require any rebating into the door or frame making them quick and easy to fit. They can be cut to size to suit the application.



Plain Bag



Uncranked Knuckle closed



Uncranked Knuckle open

Use **Classic Hinge Screws** to fit!
See Page 21

Technical Data

Size L x W (mm)	1800 x 25	1800 x 32	1800 x 38
Thickness (mm)	0.88	0.88	0.88
Knuckle Ø (mm) (K)	4.5	4.5	4.5
Hole Ø (mm) (H)	3.80	3.80	3.80
Rec. Screw Ø (mm)	3.0	3.0	3.0
Rec. Screw Gauge (Imp.)	4	4	4
No. of Screws Required (per pair)	60	60	60

CORROSION RATING (CR):

CR 2 Occasionally damp/wet, rural and sheltered areas



Electro Brass

CR 2

Product Code	L x W (mm)	Pack Qty	Carton Qty
434181	1800 x 25	10	-
434248	1800 x 32	10	-
434563	1800 x 38	10	-

TYPE - IDH SUB TYPE - IDH43



Nickel

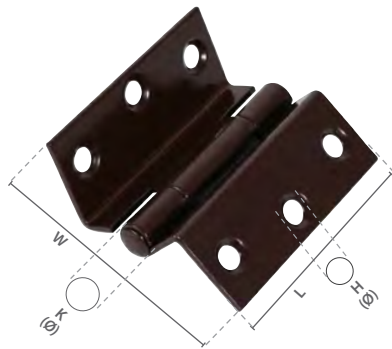
CR 2

Product Code	L x W (mm)	Pack Qty	Carton Qty
434471	1800 x 25	10	-
434067	1800 x 32	10	-
434911	1800 x 38	10	-

TYPE - IDH SUB TYPE - IDH42

Stormproof Hinge (1951)

Steel



Stormproof hinges are designed to fit into the rebate of a stormproof casement frame and allow the casement to pivot away from the frame.



Plain Bag

Technical Data

Size L x W (mm)	63 x 58
Thickness (mm)	1.8
Knuckle Ø (mm) (K)	10.0
Hole Ø (mm) (H)	6.00
Rec. Screw Ø (mm)	4.0
Rec. Screw Gauge (Imp.)	8
No. of Screws Required (per pair)	12

CORROSION RATING (CR):

CR 2 Occasionally damp/wet, rural and sheltered areas



Zinc

CR 2

Product Code	L x W (mm)	Pack Qty	Carton Qty
434105	63 x 58	1 Pair	10

TYPE - IDH SUB TYPE - ID32



Brown

CR 2

Product Code	L x W (mm)	Pack Qty	Carton Qty
434077	63 x 58	1 Pair	10

TYPE - IDH SUB TYPE - IDH33



White

CR 2

Product Code	L x W (mm)	Pack Qty	Carton Qty
434643	63 x 58	1 Pair	10

TYPE - IDH SUB TYPE - IDH34

New

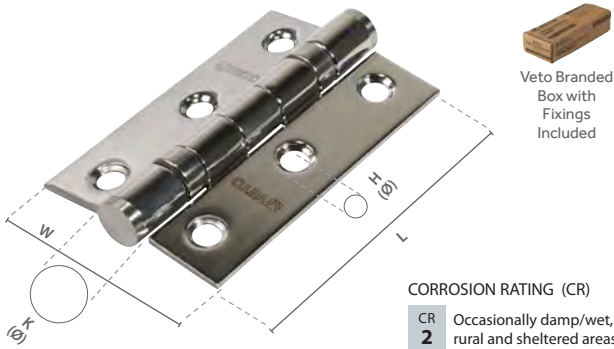
VETO

Twin Ball Bearing Hinges

Designed for use on medium duty doors in domestic and commercial areas. Lubricated ball bearing washers reduce wear of the knuckles, increasing the life of the hinge and provides a smooth door operation.

Stainless Steel Twin Ball Bearing Hinges

201 Stainless Steel



CORROSION RATING (CR)
CR 2 Occasionally damp/wet, rural and sheltered areas

Technical Data	
Size L x W (mm)	76 x 51
Thickness (mm)	2.0
Knuckle Ø (mm) (K)	11.6
Hole Ø (mm) (H)	6.0
Rec. Screw Ø (mm)	4.0
Rec. Screw Gauge (Imp.)	8
No. of CSK Screws	12
Max. Door Weight (kg)	40



Polished		CR 2
Product Code	L x W (mm)	Pack Qty
340999	76 x 51	1 Pair
TYPE - DHB		SUB TYPE - DHB08



Satin		CR 2
Product Code	L x W (mm)	Pack Qty
340123	76 x 51	1 Pair
TYPE - DHB		SUB TYPE - DHB09

Steel Twin Ball Bearing Hinges

Steel



CORROSION RATING (CR)
CR 2 Occasionally damp/wet, rural and sheltered areas

Technical Data		
Size L x W (mm)	76 x 51	102 x 76
Thickness (mm)	2.2	2.7
Knuckle Ø (mm) (K)	10.6	12.6
Hole Ø (mm) (H)	6.0	7.0
Rec. Screw Ø (mm)	4.0	5.0
Rec. Screw Gauge (Imp.)	8	10
No. of CSK Screws	12	16
Max. Door Weight (kg)	40	80



Satin Nickel		CR 2
Product Code	L x W (mm)	Pack Qty
340147	76 x 51	1 Pair
TYPE - DHB		SUB TYPE - DHB01



Electro Brass		CR 2
Product Code	L x W (mm)	Pack Qty
340843	76 x 51	1 Pair
TYPE - DHB		SUB TYPE - DHB02



Polished Chrome		CR 2
Product Code	L x W (mm)	Pack Qty
340456	76 x 51	1 Pair
TYPE - DHB		SUB TYPE - DHB03



Satin Chrome		CR 2
Product Code	L x W (mm)	Pack Qty
340987	76 x 51	1 Pair
TYPE - DHB		SUB TYPE - DHB04



Epoxy Black		CR 2
Product Code	L x W (mm)	Pack Qty
340258	76 x 51	1 Pair
TYPE - DHB		SUB TYPE - DHB05



Epoxy White		CR 2
Product Code	L x W (mm)	Pack Qty
340369	76 x 51	1 Pair
TYPE - DHB		SUB TYPE - DHB06



Antique Brass		CR 2
Product Code	L x W (mm)	Pack Qty
340573	76 x 51	1 Pair
TYPE - DHB		SUB TYPE - DHB07

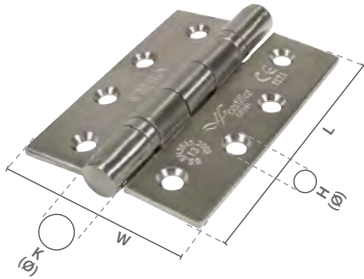
Screws
Fasteners & Fixings
Anchors
Nails
Tapes & Adhesives
Building Chemicals
Power Tool Accessories
Hand Tools & Accessories
Site Protection
Builders Metal Work
Security & Ironmongery
Gate & Fence Hardware

New

VETO Fire Door Hinges

Grade 13 Ball Bearing Fire Door Hinges

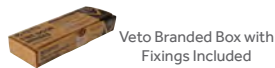
201 Stainless Steel



Designed for use on heavy duty fire doors in public buildings. Lubricated ball bearing washers provide a lifetime of smooth door operation making them ideal for use with door closers as they reduce closing friction.

Hinge pads must be fitted beneath each hinge leaf when fitting to fire doors in accordance with BS EN 1634. Failure to fit with intumescent pads will negate the fire certification of this product.

- Suitable for use on 30 & 60 minute fire doors
- Third party mechanical and fire tested
- CE marked
- Tested to 200,000 cycles



CORROSION RATING (CR)

CR 3 Urban & industrial areas with a low salt atmosphere

Technical Data	
Size L x W (mm)	102 x 76
Thickness (mm)	3.0
Knuckle Ø (mm)	(K) 14.2
Hole Ø (mm)	(H) 7.0
Rec. Screw Ø (mm)	5.0
Rec. Screw Gauge (Imp.)	10
No. of CSK Screws (per pair)	16
No. of CSK Screws (3 pcs)	24
Max. Door Weight (kg)	120



Satin Stainless CR 3

Product Code	L x W (mm)	Pack Qty	Carton Qty
334852	102 x 76	1 Pair	45
334123	102 x 76	3 Pcs	30
TYPE - FHB		SUB TYPE - FHB01	



Polished Stainless CR 3

Product Code	L x W (mm)	Pack Qty	Carton Qty
334202	102 x 76	1 Pair	45
334764	102 x 76	3 Pcs	30
TYPE - FHB		SUB TYPE - FHB02	



Electro Brass CR 3

Product Code	L x W (mm)	Pack Qty	Carton Qty
334951	102 x 76	1 Pair	45
334005	102 x 76	3 Pcs	30
TYPE - FHB		SUB TYPE - FHB03	



All-in-One Solution

Compatible with plastic packers

Excellent adhesion to most building substrates

Fire Door Foam



Fire Door Foam is a revolutionary PU Foam which has been specifically formulated and extensively tested to fill cavities and gaps between fire door assemblies and window frames.

Suitable for use in a wide range of construction and building fire stopping solutions, including:

- Maximum gap width of 33 x 200mm
- Cavity gap filling and perimeter pointing around fire doors
- Timber frames, softwood, hardwood and including MDF
- Up to 60 minutes fire resistance
- Tested with TIMCO Plastic Packers



Tested to:

- BS EN 476: Part 20 & 22: 1987
- BS EN 1634-1: 2014
- BS EN 1366-4: 2008
- BS EN 1634-3: 2004



Product Code: **FAS-750G**

See page 119 for more information

Gun grade only

New

VETO Intumescent Door Seals

VETO Intumescent Door Seals are designed to close the gap between the fire door and the frame in the event of a fire thereby preventing the spread of smoke and hot gasses through a building. The strip is rebated into the edge of the door or frame and can lay dormant for many years only activating when exposed to rising temperatures and pressures in a fire situation.

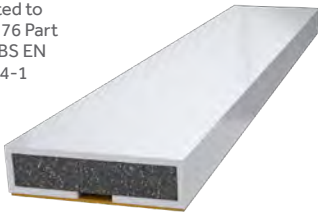
Our high performance intumescent core contains intercalated graphite which in the event of a fire expands multi-directionally up to 10-15 times its original size sealing the gap and holding the door in place.

Our combined fire and smoke seal features a brush pile to provide a permanent seal around the door to prevent cold smoke from passing through the building. The fire and smoke seal also provides additional thermal and acoustic benefits. Available in white or brown to match common door finishes.



Intumescent Fire Only Seals

- Tested to BS476 Part 22, BS EN 1634-1



Product Code	Width x Depth (mm)	Length (mm)	Fire Rating	Colour	Pack Qty
SINGLE DOOR PACK					
487762	10 x 4	1050	30 Min	White	5
487284	10 x 4	1050	30 Min	Brown	5
487661	15 x 4	1050	30 & 60 Min	White	5
487097	15 x 4	1050	30 & 60 Min	Brown	5
TYPE - ITS			SUB TYPE - ITS01		
MULTI PACK					
487697	10 x 4	2100	30 Min	White	10
487111	10 x 4	2100	30 Min	Brown	10
487395	15 x 4	2100	30 & 60 Min	White	10
487189	15 x 4	2100	30 & 60 Min	Brown	10
TYPE - ITS			SUB TYPE - ITS03		

Intumescent Fire & Smoke Seals

- Tested to BS476 Part 22, BS EN 1634-1



Product Code	Width x Depth (mm)	Length (mm)	Fire Rating	Colour	Pack Qty
SINGLE DOOR PACK					
487854	10 x 4	1050	30 Min	White	5
487336	10 x 4	1050	30 Min	Brown	5
487746	15 x 4	1050	30 & 60 Min	White	5
487558	15 x 4	1050	30 & 60 Min	Brown	5
TYPE - ITS			SUB TYPE - ITS02		
MULTI PACK					
487054	10 x 4	2100	30 Min	White	10
487675	10 x 4	2100	30 Min	Brown	10
487891	15 x 4	2100	30 & 60 Min	White	10
487777	15 x 4	2100	30 & 60 Min	Brown	10
TYPE - ITS			SUB TYPE - ITS04		

Intumescent Hinge Pads

- Tested to BS476 Part 22, BS EN 1634-1



Product Code	Width x Depth (mm)	Length (mm)	Fire Rating	Pack Qty
487385	31 x 0.8	100	30 & 60 Min	6
TYPE - ITS		SUB TYPE - ITS05		

Screws

Fasteners & Fixings

Anchors

Nails

Tapes & Adhesives

Building Chemicals

Power Tool Accessories

Hand Tools & Accessories

Site Protection

Builders Metal Work

Security & Ironmongery

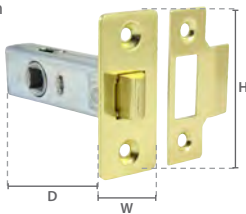
Gate & Fence Hardware

Internal Door Accessories



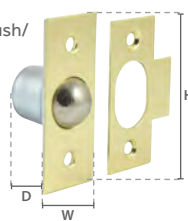
Tubular Latch

Designed for use on internal doors with a lever handle. Supplied with matching strike plate in electro brass or nickel plated finishes.



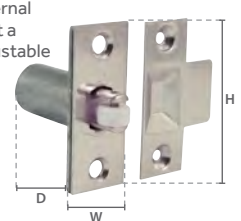
Bales Catch

Used for securing internal doors that require just a push/pull handle. Adjustable roller to adjust the closing tension of the door. Supplied with matching strike plate in electro brass.



Adjustable Roller Catch

Used for securing internal doors that require just a push/pull handle. Adjustable roller to adjust the closing tension of the door. Supplied with matching strike plate in electro brass or nickel plated finishes.



Pack

Brass

Product Code	H x W x D (mm)	Screw Hole Ø (mm)	Finish	Pack Qty	Outer Bag Qty (Pack)
TLBRASS63P	60x25x67	6.0, 5.5	E. Brass	1	5
TLNICKEL63P	60x25x67	6.0, 5.5	Nickel	1	5

TYPE - PAK SUB TYPE - PAK54

Pack

Brass

Product Code	H x W x D (mm)	Screw Hole Ø (mm)	Finish	Pack Qty	Outer Bag Qty (Pack)
BC19P	57x23x20	4.2, 3.7	E. Brass	2	5

TYPE - PAK SUB TYPE - PAK54

Pack

Brass

Nickel

Product Code	H x W x D (mm)	Screw Hole Ø (mm)	Finish	Pack Qty	Outer Bag Qty (Pack)
ARCBASSP	59x23.5x39	5.9, 4.4	E. Brass	1	5
ARCNICKELP	59x23.5x39	5.9, 4.4	Nickel	1	5

TYPE - PAK SUB TYPE - PAK54

PVC Door Stop

A floor mounted door stop used to prevent doors from damaging walls.



Pack

Product Code	Size H x W (mm)	Hole Ø (mm)	Colour	Pack Qty	Outer Bag Qty (Pack)
DSBLACKP	21 x 32	6.0	Black	2	5
DSWHITEP	21 x 32	6.0	White	2	5

TYPE - PAK SUB TYPE - PAK54

Spring Door Stop

A wall or skirting board mounted door stop used to prevent doors from damaging walls.



Pack

Brass

Nickel

Product Code	Size H x W (mm)	Hole Ø (mm)	Colour	Pack Qty	Outer Bag Qty (Pack)
SSBRASSP	78 x 24	4.0	Brass	2	5
SSNICKELP	78 x 24	4.0	Nickel	2	5

TYPE - PAK SUB TYPE - PAK54

PVC Door Wedge

A triangular shaped wedge used to temporarily stop doors from closing.



Pack

Product Code	Size L x W x H (mm)	Hole Ø (mm)	Pack Qty	Outer Bag Qty (Pack)
DWEDGE	136 x 43 x 29	4.4	1	5

TYPE - PAK SUB TYPE - PAK54

VETO FANTOM

ULTIMATE DOOR STOP SOLUTION

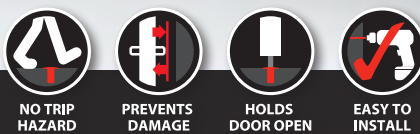


AVAILABLE IN 5 FINISHES!

Product Code	Finish	Qty	Carton Qty
200224	Brushed Chrome	1	24
200478	Chrome	1	24
200261	Black	1	24
200296	White	1	24
200248	Clear	1	24

TYPE - BSA SUB TYPE - BSA01

See how Fantom works at TIMCO.co.uk/fantom



VETO Fantom Diamond Corer

For use when installing the Fantom Doorstop in a tiled flooring surface. The Fantom Diamond Corer allows for a clean, round 14mm hole to be drilled into tiled surfaces.

NOTE: Drill slowly, starting on a 45° angle and always use with water.



Product Code	Size (mm)	Qty	Outer Carton Qty
FDD14	14	1	10

TYPE - ATD SUB TYPE - ATD02

Furniture Fixings



Magnetic Catch

A surface mounted light duty magnetic catch for securing cupboard or cabinet doors.



Pack

Product Code	L x W x H (mm)	Strength (kg)	Colour	Pack Qty	Outer Bag Qty (Pack)
MC4P	40 x 22 x 12	4.0	White	2	5
MC6P	58 x 22 x 16	6.0	White	2	5

TYPE - PAK SUB TYPE - PAK54

Double Ball Catch

A solid brass push fit catch for securing cupboard or cabinet doors.



Pack

Product Code	L x W (mm)	Finish	Pack	
			Qty	Outer Bag Qty (Pack)
DBC40BRASSP	43 x 8.0	E. Brass	2	5
DBC50BRASSP	50 x 8.5	E. Brass	2	5
DBC40CHROMEPE	43 x 8.0	Chrome Satin	2	5
DBC50CHROMEPE	50 x 8.5	Chrome Satin	2	5

TYPE - PAK SUB TYPE - PAK54

Double Roller Catch

A surface mounted push fit catch for securing cupboard or cabinet doors.



Pack

Product Code	L x W (mm)	Screw Hole Ø (mm)	Finish	Pack	
				Qty	Outer Bag Qty (Pack)
DRP	28 x 32	4.5	Zinc	2	5

TYPE - PAK SUB TYPE - PAK54

Modesty Block

Used for the assembly of boards at 90 degrees.



Bag/Pack

Product Code	L x W x H (mm)	Screw Hole Ø (mm)	Colour	Pack Qty	Outer Bag Qty (Bag/Pack)
TIMBAG					
MBWHITEP	34 x 13 x 13	4.8	White	65	5
MBBROWNP	34 x 13 x 13	4.8	Brown	65	5
TIMPAC					
MBWHITEP	34 x 13 x 13	4.8	White	10	5
MBBROWNP	34 x 13 x 13	4.8	Brown	10	5

TYPE - BAG SUB TYPE - BAG48 / TYPE - PAK SUB TYPE - PAK54

Knock Down Block

Used for the assembly of boards at 90 degrees. Secured with a bolt into the thread of the second block which draws the two fittings together.



Pack

Product Code	L x W x H (mm)	Screw Hole Ø (mm)	Colour	Pack Qty	Outer Bag Qty (Pack)
KDWHITEP	35 x 25 x 12	4.9	White	4	5
KDBROWNP	35 x 25 x 12	4.9	Brown	4	5

TYPE - PAK SUB TYPE - PAK54

Hinge Hole Cover Cap

Designed to cover unwanted and unsightly holes in all types of kitchen, bedroom and bathroom furniture. To suit a standard 35mm Ømeter hinge hole.



Pack

Product Code	Ømeter (mm)	Colour	Pack Qty	Outer Bag Qty (Pack)
35HHCCP	35.0	White	4	10

TYPE - PAK SUB TYPE - PK008

Plastic Cabinet Connector Bolt

For joining cabinets and kitchen units together



Pack

Product Code	Size (mm)	Colour	Pack Qty	Outer Bag Qty (Pack)
28PCCBP	28	White	4	10

TYPE - PAK SUB TYPE - PK009

Work-Top Connector

Provides a concealed and strong joint for worktops eliminating the need for surface mounted joining strips. Frequently used in pairs. Brackets require 35mm holes.



Bag

Product Code	Size (mm)	Length (mm)	Colour	Bag Qty	Carton Qty (Bag)
WC6150	M6	150	Zinc	6	24

TYPE - BRA SUB TYPE - BRA02

Carpenters Pencils in Tubes

Qty: 12

Product Code: 863946

Screws

Fasteners & Fixings

Anchors

Nails

Tapes & Adhesives

Building Chemicals

PowerTool Accessories

Hand Tools & Accessories

Site Protection

Builders Metal Work

Security & Ironmongery

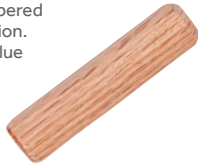
Gate & Fence Hardware

Furniture Fixings



Wooden Dowel

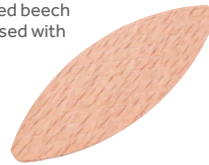
Used for accurate, reinforced timber and cabinet jointing. Tapered ends for easier application. Fluted shank for good glue distribution along the entire length and to eliminate trapped air.



• FSC Certified

Wooden Jointing Biscuit

Used for precise edge jointing of timber. The compressed beech wood expands when used with glue for a secure joint.



• FSC Certified

Corner Plate

A timber joint for strengthening and repairing. Countersunk holes for a flush finish. Zinc plated steel.



Bag/Pack

Product Code	Ø (mm)	Length (mm)	Pack Qty (pcs)	Carton Qty (packs)
TIMBAG				
270491	6.0	30	100	200
270566	8.0	40	100	100
270287	10.0	40	100	100
TIMPAC				
WDOWEL630P	6.0	30	25	10
WDOWEL640P	6.0	40	15	10
WDOWEL830P	8.0	30	15	10
WDOWEL840P	8.0	40	10	10

TYPE - BRA/PAK SUB TYPE - BRA08/PAK86

Bulk Box/Bag

New

Product Code	Size	Thickness (mm)	Board Thickness (mm)	Pack Qty (pcs)	Carton Qty (packs)
BULK BOX					
270185	No. 0	4.0	8 - 12	1000	6
270228	No. 10	4.0	13 - 18	1000	6
270673	No. 20	4.0	19+	1000	4
TIMBAG					
270364	No. 0	4.0	8 - 12	100	100
270851	No. 10	4.0	13 - 18	100	50
270227	No. 20	4.0	19+	100	50

TYPE - BRA SUB TYPE - BRA09

Box/Pack

Zinc

Product Code	W x L x A (mm)	Thickness (mm)	Qty
BOX			
50CPL	50 x 50 x 13	1.5	50
75CPL	75 x 75 x 16	1.5	50
TIMPAC			
50CPLP	50 x 50 x 13	1.5	4
75CPLP	75 x 75 x 16	1.5	4

TYPE - BRA SUB TYPE - BRA05 / TYPE - PAK SUB TYPE - PAK44

Mending Plate

Perfect for strengthening and repairing. Countersunk holes for a flush finish. Zinc plated steel.



Zinc

Box/Pack

Product Code	L x W (mm)	Thickness (mm)	Qty
BOX			
75MPL	75 x 16	1.85	50
100MPL	100 x 16	2.0	50
TIMPAC			
75MPLP	75 x 16	1.85	4
100MPLP	100 x 16	2.0	4

TYPE - BRA SUB TYPE - BRA07 / TYPE - PAK SUB TYPE - PAK45

Tee Plate

A T joint for strengthening and repairing. Countersunk holes for a flush finish. Zinc plated steel.



Zinc

Box/Pack

Product Code	W x L x A x A (mm)	Thickness (mm)	Qty
BOX			
76TPL	76 x 76 x 16 x 16	2.0	25
TIMPAC			
76TPLP	76 x 76 x 16 x 16	2.0	2

TYPE - BRA SUB TYPE - BRA04 / TYPE - PAK SUB TYPE - PAK46

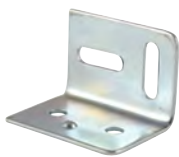
Corner Brace

Strengthening inside corners. Countersunk holes for a flush finish. Zinc plated steel.



Stretcher Plate

Slotted holes to allow for adjustments when strengthening drawers and kitchen fitting.



Zinc

Box/Pack

Product Code	L x W x H (mm)	Thickness (mm)	Qty
BOX			
38SPL	38 x 25 x 29	1.8	100
TIMPAC			
38SPLP	38 x 25 x 29	1.8	4

TYPE - BRA SUB TYPE - BRA06 / TYPE - PAK SUB TYPE - PAK47

Angled Brace

Perfect for strengthening 90° joints. Zinc plated steel.



Zinc

Box/Pack

Product Code	L x W x H (mm)	Thickness (mm)	Qty
BOX			
19ABR	19 x 19 x 19	1.0	1,000
TIMPAC			
19ABRP	19 x 19 x 19	1.0	10

TYPE - BRA SUB TYPE - BRA01 / TYPE - PAK SUB TYPE - PAK42

Box/Pack

Zinc

Product Code	H x L x W (mm)	Thickness (mm)	Qty
BOX			
25CBR	25 x 25 x 16	1.6	50
38CBR	38 x 38 x 16	1.6	50
50CBR	50 x 50 x 16	1.6	50
65CBR	65 x 65 x 16	1.7	50
75CBR	75 x 75 x 16	1.7	50
100CBR	100 x 100 x 22	2.3	25
TIMPAC			
25CBRP	25 x 25 x 16	1.6	4
38CBRP	38 x 38 x 16	1.6	4
50CBRP	50 x 50 x 16	1.6	4
65CBRP	65 x 65 x 16	1.7	4
75CBRP	75 x 75 x 16	1.7	4
100CBRP	100 x 100 x 22	2.3	2

TYPE - BRA SUB TYPE - BRA03 / TYPE - PAK SUB TYPE - PAK43

VETO Shelving Systems

Twin Slot is a versatile shelving system that utilises a wall space to create an easy storage solution. The system features an upright that is fixed directly to the wall and used in conjunction with brackets that can be mounted at varying positions in the slots along the upright.

Finished with an anti microbial powder coating to protect against germs and bacteria making it ideal for health care and medical environments. It is also widely used in domestic, commercial, retail and educational applications.



Twin Slot Upright



Twin slot uprights feature bracket receiving slots at 32mm increments to allow for shelving to be positioned at varying distances apart as required.

Technical Data

Length (mm)	(L)	425	710	996	1218	1598	1979	2391
Fixing Hole Qty		2	3	4	5	5	6	6
Rec. Screw Ø (mm)		5.0						
Rec. Screw Gauge (Imp.)		10						

Box

Product Code	Length (L) (mm)	Width (W) (mm)	Depth (D) (mm)	Box Qty
712500	425	25.5	16.0	10
712412	710	25.5	16.0	10
712325	996	25.5	16.0	10
712785	1218	25.5	16.0	10
712963	1598	25.5	16.0	10
712111	1979	25.5	16.0	10
712357	2391	25.5	16.0	10

TYPE - SNB SUB TYPE - SNB01 MOQ = 1 BOX

Twin Slot Shelf Bracket



Twin slot shelf brackets are used in conjunction with uprights. They are available in varying lengths to suit the depth of shelf required. Maximum weight loadings are shown for each individual bracket but consideration should also be given to the wall structure, types of fixing, shelving types and distances between brackets.

Technical Data

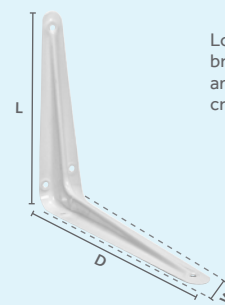
Length (mm)	(L)	126	177	227	280	335	382	484
Shelf Length (mm)		120	170	220	270	320	370	470
Fixing Hole Qty		2						
Rec. Screw Ø (mm)		5.0						
Rec. Screw Gauge (Imp.)		10						
Max. Rec. Load (kg)		153	110	86	72	61	59	81

Each

Product Code	Length (L) (mm)	Depth (D) (mm)	Width (W) (mm)	Qty	Box Qty	Carton Qty
712159	126	49.0	13.5	1	10	50
712028	177	49.0	13.5	1	10	50
712987	227	49.0	13.5	1	10	50
712321	280	49.0	13.5	1	10	50
712654	335	49.0	13.5	1	10	50
712147	382	49.0	13.5	1	10	50
712258	484	81.5	13.5	1	10	50

TYPE - SNB SUB TYPE - SNB02 MOQ = 1

London Pattern Shelf Bracket



London pattern shelf brackets offer a quick and economic way to create shelving.

Technical Data

Length (mm)	(L)	125	200	250	300	350
Fixing Hole Qty		6				
Rec. Screw Ø (mm)		4.0				
Rec. Screw Gauge (Imp.)		8				
Max. Rec. Load (kg)		51	40	36	28	21

Each

Product Code	Length (L) (mm)	Depth (D) (mm)	Width (W) (mm)	Qty	Box Qty	Carton Qty
712523	125	100	31	1	20	200
712849	200	150	37	1	20	200
712511	250	200	39	1	20	100
712607	300	250	45	1	20	100
712415	350	300	49	1	20	60

TYPE - SNB SUB TYPE - SNB05 MOQ = 1

Twin Slot Shelf End



Shelf ends are made from sheet metal and are designed to clip directly into the wall upright. They provide additional support and a barrier to prevent items from falling off the shelf end. The shelf end can be fixed to the underside of the shelf for added support.

Technical Data

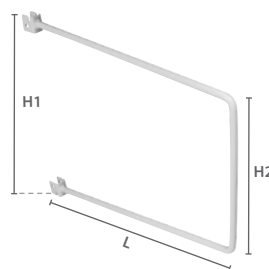
Length (mm)	(L)	150	200	250	300
Fixing Hole Qty		3			
Rec. Screw Ø (mm)		4.0			
Rec. Screw Gauge (Imp.)		8			

Bag

Product Code	Length (L) (mm)	Height (H) (mm)	Depth (D) (mm)	Bag Qty	Carton Qty
712300	150	152	25	1 Pair	10 Pairs
712012	200	152	25	1 Pair	10 Pairs
712101	250	152	25	1 Pair	10 Pairs
712761	300	152	25	1 Pair	10 Pairs

TYPE - SNB SUB TYPE - SNB04 MOQ = 1

Twin Slot Flexible Bookend



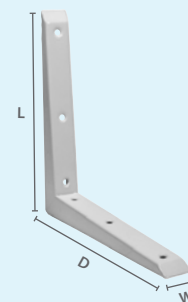
Flexible bookends locate directly into the twin slots of the upright and help to prevent items from falling off the shelf end.

Bag

Product Code	Length (L) (mm)	Height (H1) (mm)	Height (H2) (mm)	Qty	Box Qty	Carton Qty
712369	200	160	114	1 Pair	20 Pairs	60 Pairs

TYPE - SNB SUB TYPE - SNB03 MOQ = 1 PAIR

Mitred Shelf Bracket



Mitred brackets are a quick and economic way to create shelving. They feature steel reinforcements at the mitred joint of the bracket to give added strength and durability.

Technical Data

Length (mm)	(L)	200	250	300	350
Fixing Hole Qty		6			
Rec. Screw Ø (mm)		5.0			
Rec. Screw Gauge (Imp.)		10			
Max. Rec. Load (kg)		102	68	60	45

Each

Product Code	Length (L) (mm)	Depth (D) (mm)	Width (W) (mm)	Qty	Box Qty	Carton Qty
712273	200	200	26.0	1	10	40
712901	250	250	26.0	1	10	40
712005	300	300	26.0	1	10	40
712557	350	350	26.0	1	10	40

TYPE - SNB SUB TYPE - SNB06 MOQ = 1

New

VETO Hanging Rails & Systems



Round Wardrobe Rail & Accessories

Round Wardrobe Rail

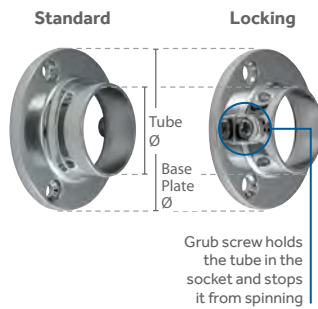


- For wardrobes or shopfitting applications
- Ideal for many domestic and light commercial applications

Polished Chrome		CR			
		2			
Product Code	Ø (mm)	Length (mm)	Pack Qty	MOQ Qty	
EACH					
204121	25	1219	1	10	
204182	25	1829	1	10	
204250	25	2500	1	10	
TYPE - CBH		SUB TYPE - CBH01			

End Socket for Round Rail

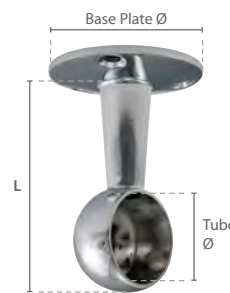
- End support for tube in wardrobes and other shopfitting applications



Polished Chrome		CR			
		2			
Product Code	Type	To Suit Tube Ø (mm)	Base Plate Ø (mm)	Pack Qty	
PACK (FIXINGS INCLUDED)					
204025	Standard	25	50	2	
204005	Locking	25	45	2	
TYPE - CBH		SUB TYPE - CBH03 / CBH04			

End Bracket for Round Rail

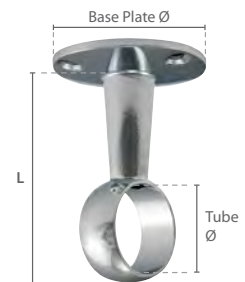
- End support for tube being suspended within a wardrobe or other shopfitting applications



Polished Chrome		CR			
		2			
Product Code	To Suit Tube Ø (mm)	Base Plate Ø (mm)	Length (mm)	Pack Qty	
PACK (FIXINGS INCLUDED)					
204125	25	45	65	2	
TYPE - CBH		SUB TYPE - CBH05			

Centre Bracket for Round Rail

- Mid support for longer lengths of tube in wardrobes and other shopfitting applications
- Prevents the tube from bending or breaking



Polished Chrome		CR			
		2			
Product Code	To Suit Tube Ø (mm)	Base Plate Ø (mm)	Length (mm)	Pack Qty	
PACK (FIXINGS INCLUDED)					
204105	25	45	65	1	
TYPE - CBH		SUB TYPE - CBH06			

Oval Wardrobe Rail & Accessories

Oval Wardrobe Rail

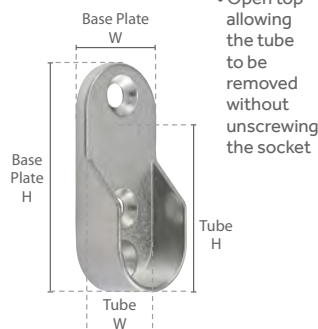


- For wardrobes or shopfitting applications
- Ideal for many domestic and light commercial applications

Polished Chrome		CR			
		2			
Product Code	H x W (mm)	Length (mm)	Pack Qty	MOQ Qty	
EACH					
204312	30 x 15	1219	1	10	
204318	30 x 15	1829	1	10	
204325	30 x 15	2500	1	10	
TYPE - CBH		SUB TYPE - CBH02			

End Socket for Oval Rail

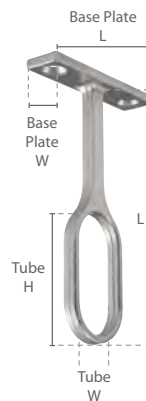
- End support for tube in wardrobes and other shopfitting applications



Polished Chrome		CR			
		2			
Product Code	To Suit Tube H x W (mm)	Base Plate H x W (mm)	Pack Qty		
PACK (FIXINGS INCLUDED)					
204315	30 x 15	45 x 20	2		
TYPE - CBH		SUB TYPE - CBH07			

Centre Bracket for Oval Rail

- Mid support for longer lengths of tube in wardrobes and other shopfitting applications
- Prevents the tube from bending or breaking



Polished Chrome		CR			
		2			
Product Code	To Suit Tube H x W (mm)	Base Plate L x W (mm)	Length (mm)	Pack Qty	
PACK (FIXINGS INCLUDED)					
204015	30 x 15	40 x 10	70	1	
TYPE - CBH		SUB TYPE - CBH08			

Hanging Rail Fixings

Screw Size: 3.5 x 16mm

Screws
Included in
Every Pack!

New

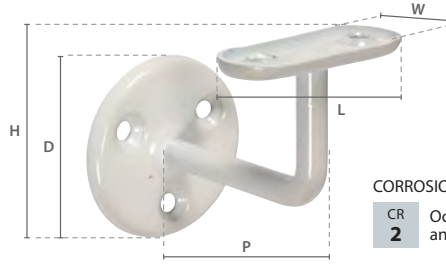
VETO Handrail Brackets

Ideal for securing timber hand rails to the wall.



Steel Handrail Bracket

Steel



Technical Data

Projection (mm)	(P)	63
Height (mm)	(H)	77.5
Handrail Plate Size L x W (mm)		60 x 25
Base Plate Ø (mm)	(D)	60
Hole Ø (mm)		5.5
Rec. Screw Ø (mm)		4.5
Rec. Screw Gauge (Imp.)		9
No. of Screw Holes		5

CORROSION RATING (CR)

CR 2 Occasionally damp/wet, rural and sheltered areas



Zinc

CR 2

Product Code	Projection (mm)	Bag Qty	Carton Qty
BAG			
712331	63	1	10
TYPE - SNB		SUB TYPE - SNB08	



Epoxy White

CR 2

Product Code	Projection (mm)	Bag Qty	Carton Qty
BAG			
712893	63	1	10
TYPE - SNB		SUB TYPE - SNB07	



Epoxy Black

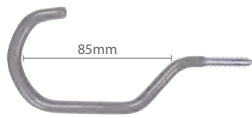
CR 2

Product Code	Projection (mm)	Bag Qty	Carton Qty
BAG			
712146	63	1	10
TYPE - SNB		SUB TYPE - SNB09	

VETO Storage Hooks



Utility Hook



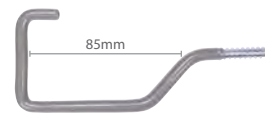
Product Code	Total Length (mm)	Thread Ø x L (mm)	Pack Qty (Pairs)	CDU Qty (Pairs)
PAIRS				
457825	150	8.0 x 30	1	12
TYPE - HSK		SUB TYPE - HKS01		

Tool Hook



Product Code	Total Length (mm)	Thread Ø x L (mm)	Pack Qty (Pairs)	CDU Qty (Pairs)
PAIRS				
457968	100	6.0 x 25	1	12
TYPE - HSK		SUB TYPE - HKS02		

Handy Hook



Product Code	Total Length (mm)	Thread Ø x L (mm)	Pack Qty (Pairs)	CDU Qty (Pairs)
PAIRS				
457469	150	8.0 x 30	1	12
TYPE - HSK		SUB TYPE - HKS03		

Ladder Hook



Product Code	Total Length (mm)	Thread Ø x L (mm)	Pack Qty (Pairs)	CDU Qty (Pairs)
PAIRS				
457538	270	10.0 x 40	1	4
TYPE - HSK		SUB TYPE - HKS04		

New

Tool Clips



Pack

Zinc

Product Code	Ø (mm)	Ø (inch)	Pack Qty
TIMPAC			
725555	10	3/8	12
725954	12	1/2	10
725843	20	3/4	10
725321	25	1	8
725017	30	1 1/4	4
725661	40	1 1/2	4
TYPE - PAK		SUB TYPE - PK019	

Ideal for tidy storage of a variety of tools, brooms, rakes and brushes in cupboards, garages, sheds and workshops.

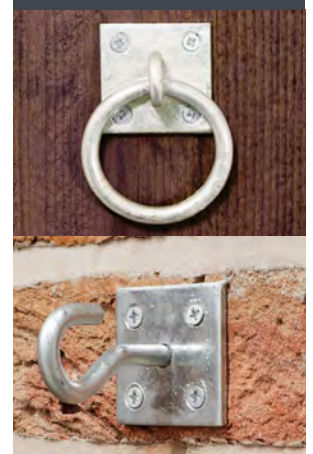
Mixed Bag

Zinc

Product Code	Ø (mm)	Ø (inch)	Clip Qty	Bag Qty
MIXED BAG				
457025	10	3/8	15	70
	12	1/2	15	
	20	3/4	15	
	25	1	15	
	30	1 1/4	5	
	40	1 1/2	5	
TYPE - HKS		SUB TYPE - HKS05		

Staple, Hook & Ring On Plates

Page 260



Screws

Fasteners & Fixings

Anchors

Nails

Tapes & Adhesives

Building Chemicals

Power Tool Accessories

Hand Tools & Accessories

Site Protection

Builders Metalwork

Security & Ironmongery

Gate & Fence Hardware

VETO Bungee Cords



Ideal for quickly securing light loads during transit or storage.

Tested to BS AU 258:1995
Mixed Bungee Cords tested to BS AU 258:1995 (Excl. Size 4.5mm x 25cm)



BAG 8 MIXED TUBE 20 MIXED TUBE

Product Code	Ø (mm)	Length (cm)	Working Load (kg)	Bungee Cord Qty	Pack Qty	Carton Qty (Pack)
BAG						
60BUN	8.0	60	30	2	2	100
100BUN	8.0	100	30	2	2	100
8 MIXED TUBE						
	4.5	25	N/A	4		
BUNMIX8	8.0	60	30	2	8	25
	8.0	80	30	2		
20 MIXED TUBE						
	4.5	25	N/A	4		
	8.0	45	30	4		
BUNMIX20	8.0	50	30	4	20	10
	8.0	60	30	4		
	8.0	75	30	4		

TYPE - PAD

SUB TYPE - PAD13

VETO Lifting Slings



High quality durable flat lifting slings designed for the safe moving of heavy loads on site. Double stitched duplex layer for maximum durability with reinforced becket eye to ensure strength and longevity. Lightweight for ease of use.



EN 1492-1:2000

2 Ton Lifting Sling



Pack



Product Code	Width x Length (mm x m)	Pack Qty	Carton Qty (Pack)
Working Load 2000 kg			
723485	60 x 2	1	20
723413	60 x 3	1	16

TYPE - PAD

SUB TYPE - PAD15

3 Ton Lifting Sling



Pack



Product Code	Width x Length (mm x m)	Pack Qty	Carton Qty (Pack)
Working Load 3000 kg			
723604	90 x 2	1	12
723684	90 x 3	1	9

TYPE - PAD

SUB TYPE - PAD15

Please note: A safety factor of 7:1 has been applied in order to calculate the stated maximum working loads. Working loads should never be exceeded.

VETO Ratchet Straps & Tie Down



Cam Buckle Tie Down



Ideal for quickly securing light loads during transit or storage.

Tested to EN 12195-2

Pack



Product Code	Width x Length (mm x m)	Break Strength (kg)	Pack Qty	Carton Qty (Pack)
J Hook - Working Load 122 kg				
5CBTD2	36 x 5	245	2	40

TYPE - PAD

SUB TYPE - PAD12

Standard Duty Strap



Ideal for quickly securing light loads during transit or storage.

Tested to EN 12195-2

Pack



Product Code	Width x Length (mm x m)	Break Strength (kg)	Pack Qty	Carton Qty (Pack)
S Hook - Working Load 250 kg				
5RS2S	25 x 5	500	2	10
5RS4S	25 x 5	500	4	5
J Hook - Working Load 350 kg				
5RS2J	25 x 5	700	2	10

TYPE - PAD

SUB TYPE - PAD11

Commercial Duty Strap



Ideal for quickly securing medium loads during transit or storage.

Tested to EN 12195-2

Pack



Product Code	Width x Length (mm x m)	Break Strength (kg)	Pack Qty	Carton Qty (Pack)
J Hook - Working Load 1000 kg				
6RS2J	35 x 6	2000	2	5

TYPE - PAD

SUB TYPE - PAD11

Heavy Duty Strap



Ideal for quickly securing heavy loads during transit or storage.

Tested to EN 12195-2

Pack



Product Code	Width x Length (mm x m)	Break Strength (kg)	Pack Qty	Carton Qty (Pack)
J Hook - Working Load 2500 kg				
5RS1J	50 x 5	5000	1	6
10RS1J	50 x 10	5000	1	5

TYPE - PAD

SUB TYPE - PAD11



Blue Polypropylene Rope



A general purpose rope suitable for towing, mooring, barrier rope, lorry tie, agricultural and industrial uses. Also used as a cable draw cord. Ideal for all general purpose building use.

BUNDLE

Product Code	Ø x Length (mm x m)	Working Load (kg)	Break Strength (kg)	Qty	Carton Qty
WINDER					
BR330W	3.0 x 30	12	70	1	50
BR620W	6.0 x 20	60	350	1	30
BR815W	8.0 x 15	100	600	1	20
BR1010W	10.0 x 10	160	980	1	18
SHORT COIL					
BR630C	6.0 x 30	60	350	1	24
BR830C	8.0 x 30	100	600	1	16
BR1030C	10.0 x 30	160	980	1	12
BR1230C	12.0 x 30	220	1570	1	8
LONG COIL					
BR6220C	6.0 x 220	60	350	1	4
BR8220C	8.0 x 220	100	600	1	2
BR10220C	10.0 x 220	160	980	1	1
BR12220C	12.0 x 220	220	1570	1	1
TYPE - ROP SUB TYPE - ROP01					
WAGON ROPE					
767711	9.0 x 27	333	900	1	12
TYPE - ROP SUB TYPE - ROP02					

Brick Line

Ideal for staking sites prior to concreting, landscaping or bricklaying. Used as guidelines for building & landscaping.

Tube only



PBL100T YBL100T

Tube & winder



PBL100W YBL100W

Product Code	Type	Ø x Length (mm x m)	Working Load (kg)	Break Strength (kg)	Pack Qty	Carton Qty
Pink						
PBL100W	Winder	1.5 x 100	25	50	1	20
PBL100T	Tube only	1.5 x 100	25	50	1	30
TYPE - BLN SUB TYPE - BLN01						
Yellow						
YBL100W	Winder	1.5 x 100	25	50	1	20
YBL100T	Tube only	1.5 x 100	25	50	1	30
TYPE - BLN SUB TYPE - BLN01/BLN01						



Cable Lock

Protective vinyl coating to enhance corrosion resistance and scratch prevention. Four dial combination, gives multiple locking option.

Each

Product Code	Length (mm)	Cable Ø (mm)	Dials	Qty	Box Qty
CL1000	1000	8	4	1	10
TYPE - CHA SUB TYPE - CHA02					



Looped Cable

Protective vinyl coating to enhance corrosion resistance and scratch prevention. A weather resistant, braided steel security cable for increased strength and flexibility.

Each

Product Code	Length (mm)	Cable Ø (mm)	Qty	Box Qty
LC1800	1800	10	1	10
LC3000	3000	15	1	5
TYPE - CHA SUB TYPE - CHA01				



Security Chain & Padlock

A hardened steel security chain with a laminated padlock. The anti-crop square links are covered with an anti-scratch nylon protective sleeve. The padlock has a durable vinyl cover to enhance corrosion resistance and improve weatherproofing.

Each

Product Code	Chain Length (mm)	Shackle Ø (mm)	Padlock Size (mm)	Qty
SCWP	1000	8	40	1
TYPE - CHA SUB TYPE - CHA04				



Security Chain

A hardened steel security chain with anti-crop square links, covered with an anti-scratch nylon protective sleeve.

Each

Product Code	Length (mm)	Shackle Ø (mm)	Qty	Box Qty
SC1000	1000	8	1	5
SC1500	1500	8	1	4
SC2000	2000	8	1	6
TYPE - CHA SUB TYPE - CHA03				



Screws

Fasteners & Fixings

Anchors

Nails

Tapes & Adhesives

Building Chemicals

Power Tool Accessories

Hand Tools & Accessories

Site Protection

Builders Metal Work

Security & Ironmongery

Gate & Fence Hardware



TIMCO have brought together a carefully selected range of padlocks and security solutions, aimed towards covering the maximum number of everyday domestic and industrial situations, with consideration to low and high security, to indoor and outdoor applications.

We are confident that our range of quality padlocks, when combined with TIMCO's looped cables and chains, will provide a high degree of flexibility and will encompass the majority of security applications.

Padlocks



Brass Padlock

A durable medium security padlock used for a variety of applications. Ideal for luggage, cabinets, sheds and gates.

SECURITY RATING

3 to 7

(SR)

WEATHER RATING

(WR)

Solid Brass

Product Code	Size (mm)	Shackle Ø (mm)	SR From 1-10	WR From 1-5	Keys	Pack Qty	Box Qty
P30	30	5.2	3	4	3	1	12
P40	40	6.3	5	4	3	1	12
P40X2	40	6.3	5	4	3	2	4
P50	50	8.1	6	4	3	1	6
P60	60	9.5	7	4	3	1	6

TYPE - PAD SUB TYPE - PAD14

Brass Padlock - Key Alike

Set of four identical brass padlocks having the same key code so all four keys enclosed will fit each lock within the pack. This is convenient where numerous locks are to be used by the same group of people or person.

SECURITY RATING

5

(SR)

WEATHER RATING

(WR)

Solid Brass

Product Code	Size (mm)	Shackle Ø (mm)	SR From 1-10	WR From 1-5	Keys	Pack Qty	Box Qty
P40KA	40	6.3	5	4	4	4	4

TYPE - PAD SUB TYPE - PAD01

Brass Padlock - Long Shackle

A durable medium security padlock with a long shackle to be used in situations where standard length types are too restrictive. Ideal for luggage, cabinets, sheds and gates.

SECURITY RATING

4 to 5

(SR)

WEATHER RATING

(WR)

Solid Brass

Product Code	Size (mm)	Shackle Ø (mm)	SR From 1-10	WR From 1-5	Keys	Pack Qty	Box Qty
P40L	40	6.3	4	4	3	1	12
P50L	50	8.1	5	4	3	1	6

TYPE - PAD SUB TYPE - PAD02

Combination Padlock

A key-less solution commonly used on luggage, tool boxes and storage lockers.

SECURITY RATING

1 to 3

(SR)

WEATHER RATING

(WR)

Solid Brass

Product Code	Size (mm)	Shackle Ø (mm)	SR From 1-10	WR From 1-5	Dials	Pack Qty	Box Qty
CP21	21	3.1	1	2	3	1	12
CP28	28	5	2	2	4	1	12
CP38	38	6	3	2	4	1	6

TYPE - PAD SUB TYPE - PAD08

Laminated Padlock

An economic padlock ideal for lower security applications. Ideal for sheds, gates and chains.

SECURITY RATING

5 to 6

(SR)

WEATHER RATING

(WR)

Solid Brass

Product Code	Size (mm)	Shackle Ø (mm)	SR From 1-10	WR From 1-5	Keys	Pack Qty	Box Qty
LSP40	40	6.1	5	2	3	1	12
LSP50	50	8.8	6	2	3	1	6

TYPE - PAD SUB TYPE - PAD05

Laminated Padlock - Long Shackle

Standard laminated steel padlocks with long shackles to enable them to be used in situations where standard length types are too restrictive. Ideal for sheds, gates and chains.

SECURITY RATING

4 to 5

(SR)

WEATHER RATING

(WR)

Solid Brass

Product Code	Size (mm)	Shackle Ø (mm)	SR From 1-10	WR From 1-5	Keys	Pack Qty	Box Qty
LSP40L	40	6.1	4	2	3	1	12
LSP50L	50	8.8	5	2	3	1	6

TYPE - PAD SUB TYPE - PAD06

Weatherproof Padlock

A laminated padlock with a durable vinyl cover to enhance corrosion resistance and improve weatherproofing.

Ideal for sheds, gates and chains.



SECURITY RATING
5
(SR)

WEATHER RATING

(WR)

Pack

Product Code	Size (mm)	Shackle Gauge (mm)	SR From 1-10	WR From 1-5	Keys	Pack Qty	Box Qty
WP40	40	8	5	4	3	1	12
TYPE - PAD		SUB TYPE - PAD08					

Stainless Steel Padlock

A medium to high security stainless steel padlock designed to handle extreme weather conditions. The shrouded shackle ensures maximum resistance against cutting and prying.

Ideal for shutters, gates, garages and sheds.



SECURITY RATING
6
(SR)

WEATHER RATING

(WR)

Pack

Product Code	Size (mm)	Shackle Gauge (mm)	SR From 1-10	WR From 1-5	Keys	Pack Qty	Box Qty
SS50SS	50	8	6	5	3	1	6
TYPE - PAD		SUB TYPE - PAD09					

Stainless Steel

Disc Padlock

A corrosion resistant high security padlock used for securing chain and catches where there is a risk of cropping attacks.

Ideal for shutters, gates, garages and sheds.



SECURITY RATING
8
(SR)

WEATHER RATING

(WR)

Pack

Product Code	Size (mm)	Shackle Gauge (mm)	SR From 1-10	WR From 1-5	Keys	Pack Qty	Box Qty
DP70	70	9	8	5	3	1	10
TYPE - PAD		SUB TYPE - PAD04					

Stainless Steel

Brass Rectangular Padlock

A high security padlock used for securing chain, shuttering and catches where there is a risk of cropping, hacksaw or hammer attacks.



SECURITY RATING
8
(SR)

WEATHER RATING

(WR)

Pack

Product Code	Size (mm)	Shackle Ø (mm)	Security Rating From 1-10	Weather Rating From 1-5	Keys	Pack Qty	Box Qty
RP75	75	11.7	8	4	3	1	4
TYPE - PAD		SUB TYPE - PAD07					

Solid Brass

Armoured Rectangular Padlock

A durable medium to high security padlock used for securing chain, shuttering and catches where there is a risk of cropping or hacksaw attacks.



SECURITY RATING
9
(SR)

WEATHER RATING

(WR)

Pack

Product Code	Size (mm)	Shackle Ø (mm)	Security Rating From 1-10	Weather Rating From 1-5	Keys	Pack Qty	Box Qty
ARP90	90	12	9	4	3	1	4
TYPE - PAD		SUB TYPE - PAD07					

Solid Brass

Key Storage & Accessories



Key Safe

Convenient and secure storage of keys. Solid and reinforced aluminium door with concealed combination Ø1 for improved weather resistance.

Provides secure and convenient key storage for care workers, cleaners, tradesmen and access to holiday homes.



Pack

Product Code	Size L x W x D (mm)	Dials	Pack Qty	Box Qty
KEYSAFE	120 x 85 x 40	4	1	6
TYPE - PAD		SUB TYPE - PAD10		

Key Cabinet

Provides safe and easy storage of multiple keys.

Steel body with 20 hooks and a changeable 3 digit combination dials.



Box

Product Code	Size L x W x D (mm)	Dials	Hooks	Box Qty	Carton Qty
20KEYCAB	200 x 160 x 75	3	20	1	20
TYPE - PAD		SUB TYPE - PAD10			

Key Accessories



Key Tags
Tidy labelling and coding of keys.



Key Caps
Convenient coding of keys for quick identification.

Pack

Product Code	Description	Pack Qty	Outer Bag Qty (Pack)
KEYTAGP	Coloured Key Tags	6	10
KEYCAPP	Coloured Key Caps	10	10
TYPE - PK		SUB TYPE - PK004	