



BIRKDALE



BY APPOINTMENT TO
HER MAJESTY THE QUEEN
IRONMONGERS
BUA TRADING LTD T/A BIRKDALE SALES
BUCKINGHAMSHIRE



GATE & FENCING

ACCESSORIES
CATALOGUE

— 2022/23 —

birkdalesales.com



GATEMATE®
BY BIRKDALE



FENCEMATE®
BY BIRKDALE



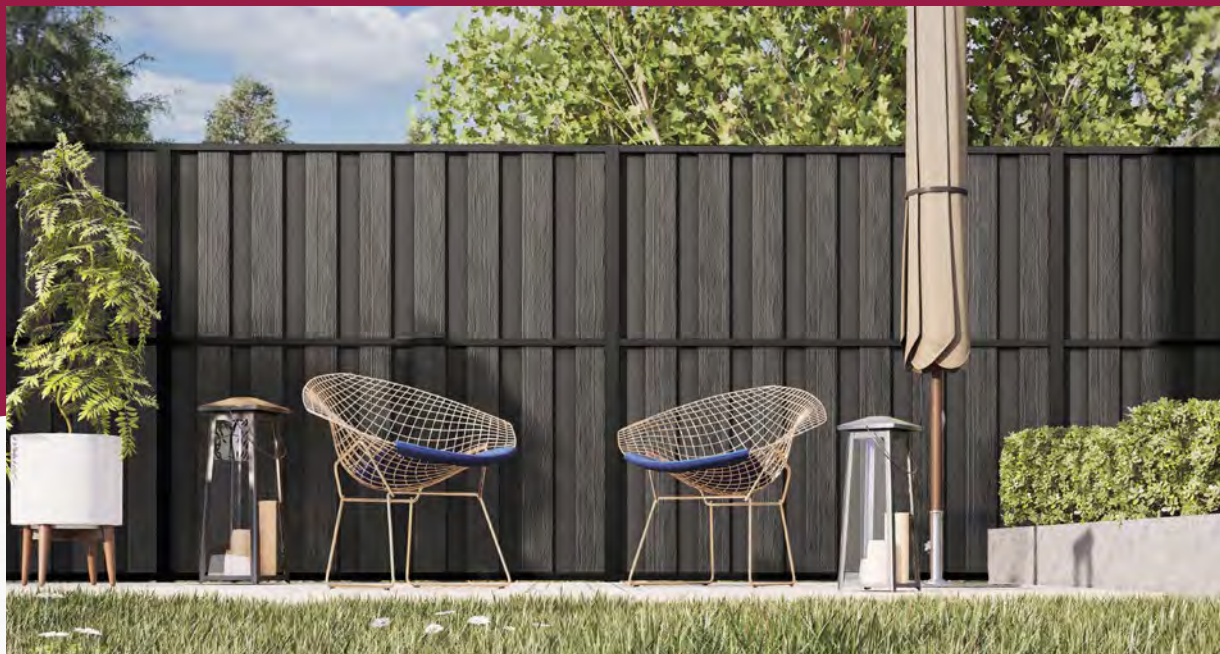
SITEMATE®
BY BIRKDALE

DuraPost®
BY BIRKDALE

e||umière™
BY BIRKDALE

NEW DURAPOST PRODUCTS FOR 2022

2022 sees DuraPost® launching its Vento composite fence panel, aluminium gate, and Urban slatted composite fence panel.



DURAPOST® VENTO COMPOSITE FENCE PANEL

WOOD PARTICLE COMPOSITE

New for 2022, with innovation at the core of our brand, we introduce DuraPost's Vento hit and miss composite panel. Designed with homeowners in mind, these panels are modern, durable, and maintenance-free, meaning you'll never need to paint, treat, or stain them.

Created with a blend of wood/plastic composite (WPC), and manufactured from a blend of rice husk which is a natural waste from rice crops and recycled HDPE, so not only are the panels more durable than the other fencing materials on the market, but they're also more sustainable. The rails are manufactured from galvanised steel, nano-coated then powder coated to produce a durable weather resistant product. The vertical hit and miss panel system consists of 16 composite boards, and 3 horizontal steel rails.

IN DETAIL

- Completely maintenance free, once fitted
- Panels are available in 3 NEW colour options: Grey, Brown and Natural
- Rails are available in DuraPost colours: Anthracite Grey, Olive Grey and Sepia Brown
- Minimal screws required (all fixings supplied with rails)

DuraPost
BY BIRKDALE



PANEL SIZING

VERTICAL PANELS (mm)

1795 x 125

RAILS (mm)

1830 x 48.5 x 28.5

AVAILABLE COLOURS

PANELS



GREY



BROWN



NATURAL



ANTHRACITE
GREY



OLIVE
GREY



SEPIA
BROWN



TURN TO PG 251



We're a company built by fencers, for fencers and we want to help you work smarter and more efficiently

MARK NAYLOR, PRODUCT DEVELOPMENT MANAGER



DURAPOST® URBAN SLATTED COMPOSITE FENCE PANEL

DuraPost®
BY BIRKDALE

New for 2022, DuraPost's Urban slatted composite panels provide a contemporary feel, while keeping a timeless, authentic timber finish that will enhance your garden. This cutting-edge panel has been developed with a focus on style, without compromising the strength and longevity of the fence.

These maintenance-free composite slatted panels are a reliable and sustainable option, manufactured from a blend of rice husk that is a natural waste from rice crops and recycled HDPE. The rails are manufactured from galvanised steel, nano-coated then powder coated to produce a durable weather resistant product. The slatted panel system consists of 6 boards and 2 horizontal U-shaped cross rails.



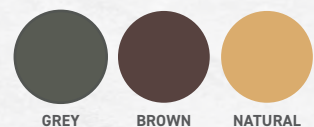
IN DETAIL

- Lightweight and maintenance-free
- 300mm x 1830mm boards available
- Unique shape for easy installation with DuraPost
- Minimal fixings required to install
- Available in NEW stylish colours: Grey, Brown and Natural to complement DuraPost's standard finishes

PANEL SIZING

BOARDS (mm)
1830 x 50 x 300
CROSS RAILS (mm)
1830 x 48.5 x 30

AVAILABLE COLOURS



TURN TO PG 252

NEW DURAPOST PRODUCTS FOR 2022



DURAPOST® ALUMINIUM GATE

DuraPost[®]
BY BIRKDALE

Our DuraPost Aluminium Gate is a versatile addition to any project with width and height you can tweak on site, no need to go back and forth measuring up. Fit and install to a DuraPost gate post or standard timber post. Our DuraPost Gate frame is made from 100% aluminium extrusion, while its panel can be created using DuraPost Composite Gravel Boards or your own wood panelling. The fixings required for installation, include a frame, gate slam, lock, hinges and fixings.

IN DETAIL

- 100% recyclable
- Powder coated frame, available in Anthracite Grey, Olive Grey and Sepia Brown
- Complements the current DuraPost range of gateposts and composite gravel boards
- Alter to suit any width/aperture
- Fits a standard 72mm Centre Din lock with standard Euro Cylinder

Complete the look: Order DuraPost composite gravel boards for the centre panels. Available in three colours.

AVAILABLE COLOURS



ANTHRACITE
GREY

OLIVE
GREY

SEPIA
BROWN



TURN TO PG 248

OUR FINISHES

There are a number of finishes available across all our ranges; offering different levels of corrosion resistance and a choice of price points.



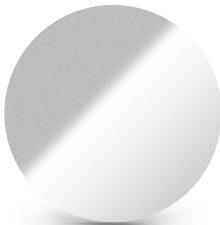
Self Colour

Unfinished steel. These products are typically used in fabrication, and will naturally rust very quickly – this should be removed prior to galvanisation.



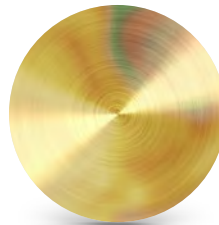
Epoxy Black/Epoxy Brown

Polyester powder coating is sprayed onto the metal and then baked in an oven, resulting in a smooth finish. Provides a reasonable corrosion resistance. The finish on moving parts can flake off meaning that the steel will corrode more easily.



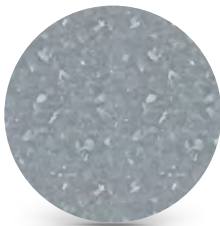
BZP

Also known as Zinc Plated. These products have been finished with a process of electroplating zinc onto steel, resulting in a shiny finish about 6-8 microns thick. Although zinc plated products are typically cheaper than galvanised ones, they usually rust more easily due to the thinner coating.



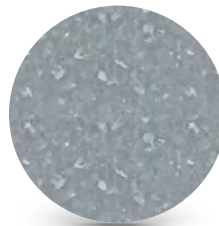
YPZP

Also known as BZP/Yellow Passivated. These products have a zinc plated finish with an additional yellow passivating treatment. This extra layer increases the corrosion resistance and gives the product a light yellow appearance.



Pre-Galvanised

These products are fabricated from sheet steel that has already been galvanised, giving a finish approximately 20 microns thick. The resulting corrosion resistance is between that of hot-dip galvanising and zinc plating.



Galvanised

A 'hot-dip' or 'spelter' galvanised finish approximately 60 microns thick. The product is dipped in molten zinc, resulting in a thick, rough coating that has a high corrosion resistance.



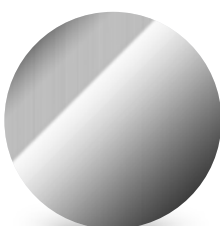
Premium Black

A 'hot-dip' galvanised finish with a black polyester powder coating on top. This double layer results in a high level of corrosion resistance and attractive, smooth appearance.



Ruspert® Green/Silver/Black

Ruspert® is a rustproof treatment technology with superior corrosion resistance. An organic coating, containing aluminium flakes, and special rustproof paint passivates the metallic layer, preventing intrusion from corrosive factors and controlling the self-sacrificial galvanic effect of zinc.



Stainless Steel

Stainless steel is an iron alloy with high levels of chromium; giving it an external layer that is virtually rust free. Our premium range products are made from marine grade 316 stainless steel – ideal for coastal and other high-moisture environments.



CORROSION RESISTANCE

	No level of corrosion resistance
	Limited level of corrosion resistance
	Low level of corrosion resistance
	Medium level of corrosion resistance
	High level of corrosion resistance
	Almost total corrosion resistance

GATEMATE®

BY BIRKDALE



PREMIUM QUALITY PRE-PACKED GATE FURNITURE AND ACCESSORIES

014 Locks, Security and Handles

022 Field Gate Fittings

033 Complete Gate Fixing Kits

034 Hinges

043 Latches, Catches, Hooks & Bolts

052 Hasp & Staples

053 Signs & Reflectors

054 Premium Finish Range

060 Ornamental Range

064 High Performance Range

067 Metal Gates

070 Handrail Brackets

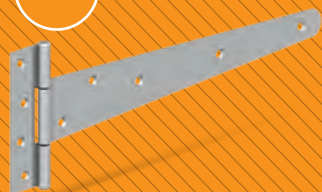
070 Chain, Wire & Rope Fittings

074 Fencing Accessories

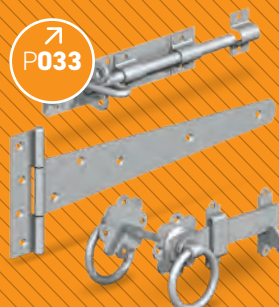
➤
P018



➤
P034



➤
P033



➤
P014



GATEMATE® LOCKS, SECURITY AND HANDLES

GATEMATE® Long Throw Locks

GATEMATE®
BY BIRKDALE

EURO PROFILE LONG THROW LOCK

High corrosion resistance; 316 stainless steel locking bolt

Narrowed body to allow installation at any height on stile; double thickness back plate

High security 6 pin lock barrel; available to suit 50mm and 70mm gates

Polished stainless steel escutcheon plate

Comes with 5 keys as standard

Unique bolt design with hardened core to prevent cutting

Elongated anti-rattle keep with anti-chafe plate to prevent wear on the face of your post

High security stainless steel screws and driver bit included

PATENTED
GB2559189

Convenient, durable and reliable security by GATEMATE®

- Suitable for gates, sheds and garage doors
- Double or single sided locking options
- Yale profile key
- Can be keyed alike to any key number, enquire for more details!
- Keyed alike locks also available
- Comprehensive fitting instructions with self adhesive drilling template for easy installation
- Handles to suit available separately, see page 017

- Boost sales with a Counter Display Stand
- Order six Euro Profile Long Throw locks on initial order and receive a stand for FREE!
- Call your Account Manager today

PREMIUM
QUALITY

PRE
PACKED

FIXINGS
INCLUDED

PATENTED
GB2559189

Easy use thumb turn on single locking option

GATEMATE® Euro Profile Long Throw Lock

- High security Euro Profile 6-pin barrel; allowing the flexibility to go to any approved key cutting company to duplicate keys
- High corrosion resistance; grade 316 stainless steel shoot bolt
- Elongated anti-rattle keep to prevent rattling during windy weather
- Unique bolt design with hardened steel core and chrome escutcheon plate
- Drill bits and stainless steel security screws included

LOCK TYPE	FINISH	SIZE INS (MM)	KEYED ALIKE	MIN. ORDER QTY	OUTER CARTON QTY	CODE
Double Locking (A)	Black/ Stainless Steel	2 (50)	No	1	10	149 0086
Double Locking (A)	Black/ Stainless Steel	2½ (70)	No	1	10	149 0096
Single Locking (B)	Black/ Stainless Steel	2 (50)	No	1	10	149 0106
Single Locking (B)	Black/ Stainless Steel	2½ (70)	No	1	10	149 0116

Patented GB2559189

GATEMATE® Euro Profile Long Throw Lock - Keyed Alike

LOCK TYPE	FINISH	SIZE INS (MM)	KEYED ALIKE	MIN. ORDER QTY	OUTER CARTON QTY	CODE
Double Locking (A)	Black/ Stainless Steel	2 (50)	Yes	1	10	149 0126
Double Locking (A)	Black/ Stainless Steel	2¾ (70)	Yes	1	10	149 0136
Single Locking (B)	Black/ Stainless Steel	2 (50)	Yes	1	10	149 0146
Single Locking (B)	Black/ Stainless Steel	2¾ (70)	Yes	1	10	149 0156

Patented GB2559189



GATEMATE® Pull Handle for Euro Profile Long Throw Lock

- Add the finishing touch to your Euro Profile Long Throw Lock with a pull handle
- Compatible with the GATEMATE® High Security Escutcheon (149003C)

FINISH	SIZE INS (MM)	MIN. ORDER QTY	INNER CARTON QTY	OUTER CARTON QTY	CODE
Epoxy Black	8 (200)	1	5	50	147 2013
Chrome	8 (200)	1	5	50	147 201C



GATEMATE® Escutcheon for Euro Profile Long Throw Lock

Escutcheon comes with Euro Profile Long Throw Lock as standard

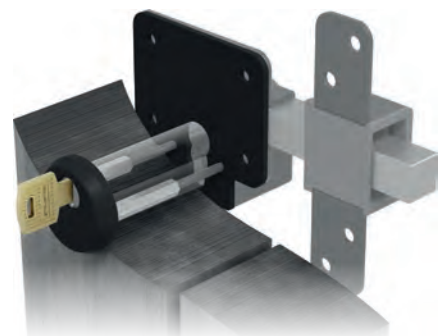
FINISH	MIN. ORDER QTY	CODE
Polished stainless steel	1	149 001C



GATEMATE® High Security Escutcheon for Euro Profile Long Throw Lock

- Ensure the security of your GATEMATE® Euro Profile Long Throw Lock by installing this high security escutcheon
- Anti-cut, anti-tamper and anti-drill, this escutcheon provides high intruder resistance
- Clean, in-line design
- High corrosion resistance with a black finish

FINISH	MIN. ORDER QTY	OUTER CARTON QTY	CODE
Epoxy Black	1	12	149 003C

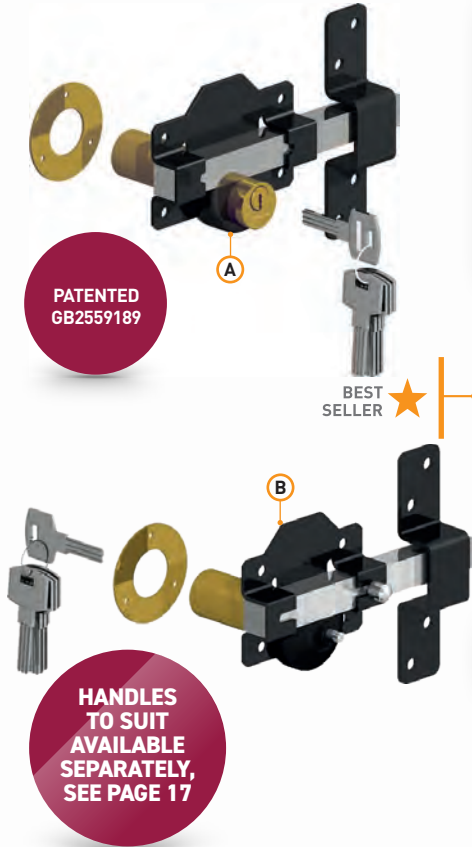


GATEMATE® Key Blank for Euro Profile Long Throw Lock



FINISH	UNIT QTY	MIN. ORDER QTY	CODE
Chrome	1	1	149 000C

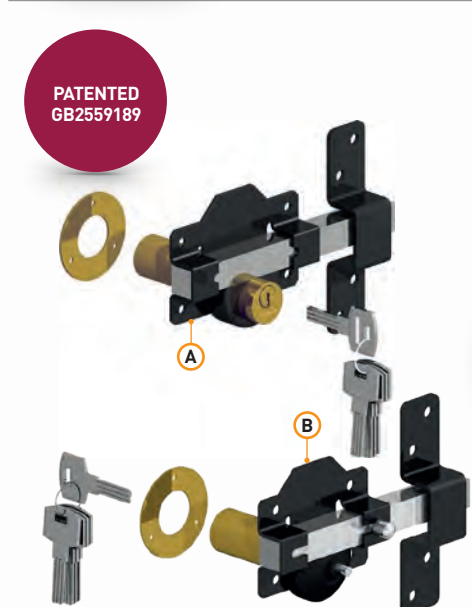
GATEMATE® Premium Long Throw Lock



- Quality Long Throw gate locks, available with single or double locking bolts and in two different barrel lengths
- 6 pin lock barrel
- Stainless steel shoot
- All locks supplied with 5 keys
- 28mm drill bit included
- Includes all fixings
- Locks available to suit 50mm or 70mm doors and gates

LOCK TYPE	FINISH	SIZE INS (MM)	KEYED ALIKE	MIN. ORDER QTY	OUTER CARTON QTY	CODE
Double Locking (A)	Stainless Steel/Black	2 (50)	No	1	20	149 0186
Double Locking (A)	Stainless Steel/Black	2¾ (70)	No	1	20	149 0196
Single Locking (B)	Stainless Steel/Black	2 (50)	No	1	20	149 1106
Single Locking (B)	Stainless Steel/Black	2¾ (70)	No	1	20	149 1116
Patented GB2559189						

GATEMATE® Premium Long Throw Lock - Keyed Alike



LOCK TYPE	FINISH	SIZE INS (MM)	KEYED ALIKE	MIN. ORDER QTY	OUTER CARTON QTY	CODE
Double Locking (A)	Stainless Steel/Black	2 (50)	Yes	1	20	149 1126
Double Locking (A)	Stainless Steel/Black	2¾ (70)	Yes	1	20	149 1136
Single Locking (B)	Stainless Steel/Black	2 (50)	Yes	1	20	149 1146
Single Locking (B)	Stainless Steel/Black	2¾ (70)	Yes	1	20	149 1156
Patented GB2559189						

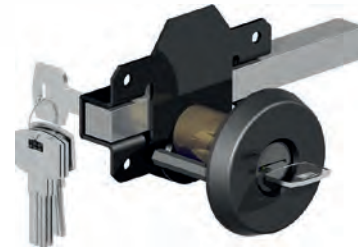
GATEMATE® Pull Handle for Premium Long Throw Lock

FINISH	SIZE INS (MM)	MIN. ORDER QTY	INNER CARTON QTY	OUTER CARTON QTY	CODE
Epoxy Black	8 (200)	1	5	50	147 2003
Brass	8 (200)	1	5	50	147 2005
Chrome	8 (200)	1	5	50	147 200C



GATEMATE® Security Escutcheon for Premium Long Throw Lock

- Super easy to fit, this escutcheon encloses the exposed part of the lock barrel, and bolts securely through the gate to a back plate that sits neatly behind the lock plate
- High intruder resistance
- All fixings and fitting instructions included
- Anti-cut, anti-tamper and anti-drill
- Clean, in-line design



FINISH	MIN. ORDER QTY	CODE
Epoxy Black	1	149 0006

GATEMATE® Additional Keys for Premium Long Throw Lock

TYPE	FINISH	MIN. ORDER QTY	OUTER CARTON QTY	CODE
Blank	Chrome	1	1000	149 0000
Cut to key number	Chrome	1	-	CUTKEY



GATEMATE® Spade Drill for Long Throw Lock

SIZE (MM)	MIN. ORDER QTY	CODE
28	1	SPO 0280



GATEMATE® Gate Handles

GATEMATE® Cast Door-Gate Pull Handles

FINISH	SIZE INS (MM)	MIN. ORDER QTY	CODE
Galvanised	6 (150)	5	537 1501
Epoxy Black	6 (150)	5	537 1503



GATEMATE® Pressed Steel Pull Handle

FINISH	SIZE INS (MM)	MIN. ORDER QTY	CODE
BZP	7 (175)	5	547 1752
Epoxy Black	7 (175)	5	547 1753



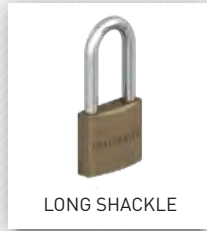
GATEMATE® Padlocks

GATEMATE®
BY BIRKDALE

BRASS PADLOCK

Our brass padlocks are manufactured from premium quality materials to ensure a high level of security. Also available with a long shackle.

- Supplied with 3 keys
- High precision machined pins
- Available in single, double and quadruple pack quantities
- Keyed alike options also available



Hardened shackle to prevent cutting

Solid brass body



GATEMATE® Brass Padlock



FINISH	SIZE INS (MM)	KEYED ALIKE	UNIT QTY	MIN. ORDER QTY	CODE
Brass	1¼ (30)	No	Pack of 1	5	148 0300
Brass	1½ (40)	No	Pack of 1	5	148 0400
Brass	2 (50)	No	Pack of 1	5	148 0500
Brass	2½ (60)	No	Pack of 1	5	148 0600
Brass	3 (70)	No	Pack of 1	5	148 0700
Brass	1½ (40)	Yes	Pack of 2	5	148 2400
Brass	2 (50)	Yes	Pack of 2	5	148 2500
Brass	1½ (40)	Yes	Pack of 4	5	148 4400
Brass	2 (50)	Yes	Pack of 4	5	148 4500

With hardened shackle

GATEMATE® Brass Padlock with Long Shackle



FINISH	SIZE INS (MM)	KEYED ALIKE	MIN. ORDER QTY	CODE
Brass	1½ (40)	No	5	148 0410
Brass	2 (50)	No	5	148 0510

With hardened shackle

GATEMATE® Heavy Duty Armoured Block Padlock

FINISH	SIZE INS (MM)	KEYED ALIKE	UNIT QTY	MIN. ORDER QTY	CODE
Stainless Steel/ Nickel Plated	2½ (60)	No	Pack of 1	5 Packs	708 0600
Stainless Steel/ Nickel Plated	3¼ (80)	No	Pack of 1	5 Packs	708 0800
Stainless Steel/ Nickel Plated	3½ (90)	No	Pack of 1	5 Packs	708 0900
Stainless Steel/ Nickel Plated	2 ¾ (70)	Yes	Pack of 2	5 Packs	708 2700
Stainless Steel/ Nickel Plated	3¼ (80)	Yes	Pack of 2	1 Pack	708 2800



GATEMATE® Laminated Steel Padlock

FINISH	SIZE INS (MM)	KEYED ALIKE	UNIT QTY	MIN. ORDER QTY	CODE
Laminated Steel	1¼ (30)	No	Pack of 1	5	713 0300
Laminated Steel	1½ (40)	No	Pack of 1	5	713 0400
Laminated Steel	2 (50)	No	Pack of 1	5	713 0500
Laminated Steel	2½ (60)	No	Pack of 1	5	713 0600
Laminated Steel	1½ (40)	Yes	Pack of 2	5	713 2400
Laminated Steel	2 (50)	Yes	Pack of 2	5	713 2500
Laminated Steel	1½ (40)	Yes	Pack of 4	5	713 4400
Laminated Steel	2 (50)	Yes	Pack of 4	5	713 4500

With hardened shackle



GATEMATE® Laminated Steel Padlock with Long Shackle

FINISH	SIZE INS (MM)	KEYED ALIKE	MIN. ORDER QTY	CODE
Laminated Steel	1½ (40)	No	5	713 0410
Laminated Steel	2 (50)	No	5	713 0510

With hardened shackle



GATEMATE® Discus Padlock

FINISH	SIZE INS (MM)	KEYED ALIKE	UNIT QTY	MIN. ORDER QTY	CODE
Stainless Steel	2¾ (70)	No	Pack of 1	5	771 0700
Stainless Steel	2¾ (70)	Yes	Pack of 2	5	771 2700

Constructed from Grade 316 stainless steel

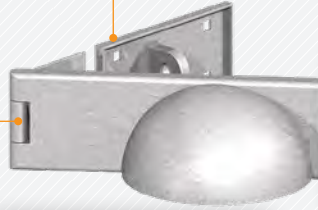


GATEMATE
BY BIRKDALE

PADLOCK PROTECTORS

- This simple hasp and staple provides extra security from intruders
- Constructed from heavy duty galvanised steel
- Recommended padlocks:
GATEMATE® Discus Padlocks
GATEMATE® Brass Padlocks

Available in both left and right hand orientations



Unique design to prevent pin from being drilled or removed



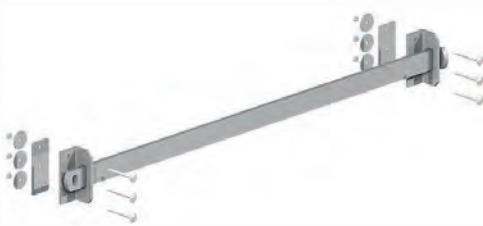
When the product is locked, access to the padlock is limited by the domed cover and the padlock is protected from the weather making it last longer!



GATEMATE® Padlock Protector

FINISH	SIZE INS (MM)	DESC	MIN. ORDER QTY	CODE
Galvanised	7½ x 2½ (185 x 60)	Left Handed	1	144 1851
Galvanised	7½ x 2½ (185 x 60)	Right Handed	1	144 1861

Recommended padlocks:
Discus padlock: 70mm (7710700)
Brass padlocks: 40mm (1480400), 50mm (1480500) and 60mm (1480600)



GATEMATE® Shed Security Bar

FINISH	LENGTH (M)	MIN. ORDER QTY	CODE
Galvanised	1.0	1	139 1001
Galvanised	1.8	1	139 1801

GATEMATE® Rimsashlocks

GATEMATE® Rimsashlock - 2 Lever

FINISH	SIZE INS (MM)	MIN. ORDER QTY	CODE
Epoxy Black	6 x 4 (150 x 100)	5	540 0010



GATEMATE® Cast Ball Door Knob

FINISH	SIZE INS (MM)	MIN. ORDER QTY	OUTER CARTON QTY	CODE
Dull Black	1¾ (45)	1	5	575 0453



GATEMATE® Cast Oval Door Knob

FINISH	SIZE INS (MM)	MIN. ORDER QTY	OUTER CARTON QTY	CODE
Dull Black	2 (50)	1	5	575 0603



GATEMATE® Rimsashlock Door Knob

FINISH	SIZE INS (MM)	MIN. ORDER QTY	OUTER CARTON QTY	CODE
Black Plastic	2 (50)	1	5	540 0020



DuraPost®
BY BIRKDALE

ALUMINIUM GATE KIT
VERSATILE DESIGN

**All the kit you need
to make an entrance**

Every project is different, which is why we've designed a gate that adjusts to any outside space. The DuraPost Aluminium Gate Kit combines privacy and security with flexibility.

COLOURS



PAGE
248

GATEMATE® FIELD GATE FITTINGS

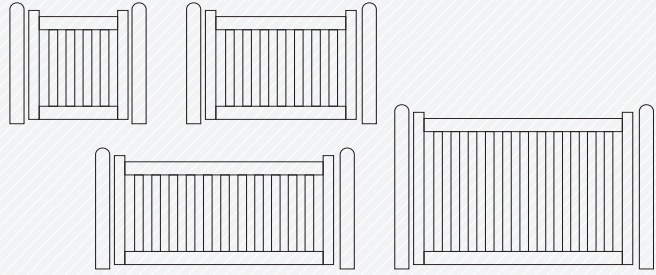
GATEMATE® Field Gate Hinges

HINGE LOADING APPLICATION PER PAIR

When selecting hinges for your gate please ensure that you choose ones with the correct loading application.

This is only approximate hinge loading application as none of our hinges are tested.

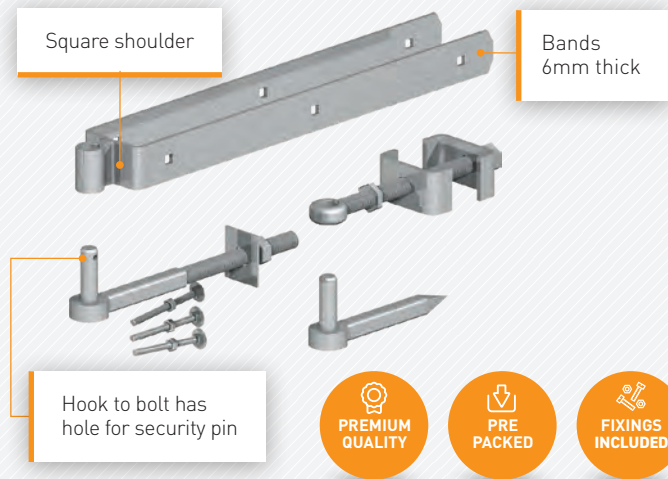
For heavier gates an additional hinge can be added.



GATE TYPE	CLASS	WEIGHT	MAXIMUM WIDTH
A	SMALL GATES AND DOORS	UP TO 10KG	900MM
B	MEDIUM GATE	UP TO 20KG	1200MM
C	LARGE GATE	UP TO 50KG	1800MM
D	EXTRA LARGE GATE	UP TO 80KG	2400MM

FIELD GATE DOUBLE STRAP HINGE SETS

- Heaviest field gate sets on the market!
- Hot dip galvanised fixings included



BEST SELLER ★



GATEMATE® Field Gate Double Strap Hinge Set

FINISH	SIZE INS (MM)	SUITABLE FOR	HOOK TO BOLT SIZE (INS)	LOAD APPL.	MIN. ORDER QTY	OUTER CARTON QTY	PALLET QTY	CODE
Galvanised	12 (300)	3" gates	13"	D	1	4	120	030 3001
Galvanised	18 (450)	3" gates	13"	D	1	4	120	030 4501
Galvanised	24 (600)	3" gates	13"	D	1	4	120	030 6001
Epoxy Black	24 (600)	3" gates	13"	D	1	4	120	030 6003
Premium Black	24 (600)	3" gates	13"	D	1	4	-	030 600B

Includes: 2" x 1/4" top band, 5" x 2" x 1/4" bottom band, hook to bolt, hook to drive and fixings

GATEMATE® Field Gate Double Strap Hinge Set with Adjustable Hooks on Plates

FINISH	SIZE INS (MM)	SUITABLE FOR	LOAD APPL.	MIN. ORDER QTY	OUTER CARTON QTY	PALLET QTY	CODE
Galvanised	18 (450)	3" gates	D	1	4	120	030 4521
Galvanised	24 (600)	3" gates	D	1	4	120	030 6521

Includes: 2" x 1/4" top band, 5" x 2" x 1/4" bottom band, 2 x adjustable hooks on 4" square plates with 3/4" diameter pin and fixings



GATEMATE® Field Gate Double Strap Hinge Set with Gate Hanger to Bolt

FINISH	SIZE INS (MM)	SUITABLE FOR	LOAD APPL.	MIN. ORDER QTY	OUTER CARTON QTY	PALLET QTY	CODE
Galvanised	24 (600)	3" gates	D	1	4	120	030 6021

Includes: 2" x 1/4" top band, 5" x 2" x 1/4" bottom band, 14" gate hanger to bolt, hook to drive and fixings



GATEMATE® Field Gate Double Strap Hinge Set with Hooks on Plates

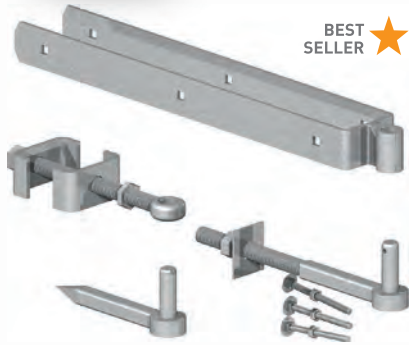
FINISH	SIZE INS (MM)	SUITABLE FOR	LOAD APPL.	MIN. ORDER QTY	OUTER CARTON QTY	PALLET QTY	CODE
Galvanised	12 (300)	3" gates	D	1	4	120	031 3001
Galvanised	18 (450)	3" gates	D	1	4	120	031 4501
Galvanised	24 (600)	3" gates	D	1	4	120	031 6001

Includes: 2" x 1/4" top band, 5" x 2" x 1/4" bottom band, 2 x hooks on 4" square plates and fixings



GATEMATE® Field Gate Adjustable Double Strap Hinge Set

Full adjustability allows installer to easily fit and adjust gates to compensate for gate drop over time



BEST SELLER ★

FINISH	SIZE INS (MM)	SUITABLE FOR	LOAD APPL.	MIN. ORDER QTY	OUTER CARTON QTY	PALLET QTY	CODE
Galvanised	12 (300)	3" gates	D	1	4	120	032 3001
Galvanised	18 (450)	3" gates	D	1	4	120	032 4501
Galvanised	24 (600)	3" gates	D	1	4	120	032 6001
Epoxy Black	12 (300)	3" gates	D	1	4	120	032 3003
Epoxy Black	18 (450)	3" gates	D	1	4	120	032 4503
Epoxy Black	24 (600)	3" gates	D	1	4	120	032 6003
Premium Black	24 (600)	3" gates	D	1	4	-	032 600B

Includes: 2" x 1/4" top band, adjustable gate eye and heel clips, hook to bolt, hook to drive and fixings



BEST SELLER ★

GATEMATE® Field Gate Adjustable Double Strap Hinge Set with Hooks on Plates

FINISH	SIZE INS (MM)	SUITABLE FOR	LOAD APPL.	MIN. ORDER QTY	OUTER CARTON QTY	PALLET QTY	CODE
Galvanised	12 (300)	3" gates	D	1	4	120	033 3001
Galvanised	18 (450)	3" gates	D	1	4	120	033 4501
Galvanised	24 (600)	3" gates	D	1	4	120	033 6001
Epoxy Black	24 (600)	3" gates	D	1	4	120	033 6003

Includes: 2" x 1/4" top band, adjustable gate eye and heel clips, 2 x hooks on 4" square plates and fixings

- ✓ Premium quality
- ✓ Pre packed
- ✓ Fixings included



ASSEMBLY INSTRUCTIONS

GATEMATE® SELF CLOSING/ RISING HINGE SET

CODE 034 4511

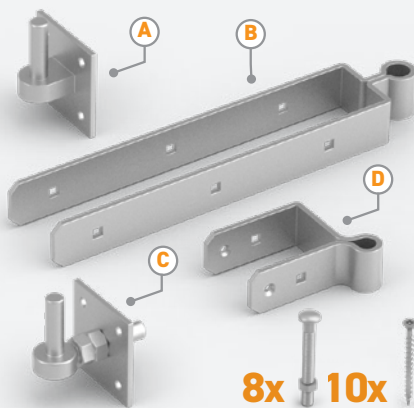


CONTENTS

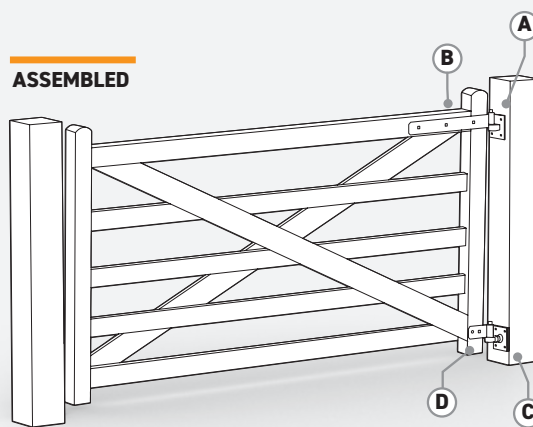
- A** Hook on Plate
- B** Long Band
- C** Adjustable Hook on Plate
- D** Short Band

FIXINGS

- 8x** Bolts
- 10x** Screws

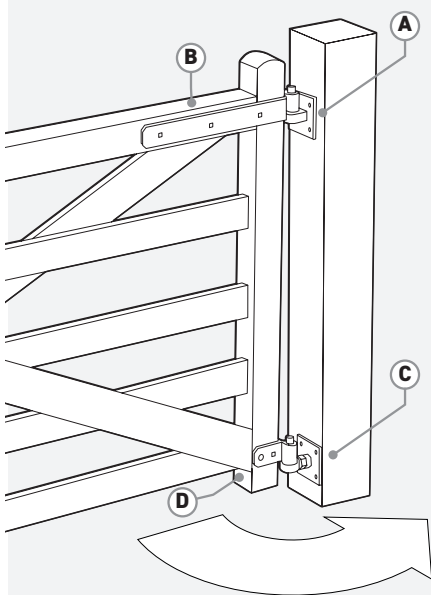


ASSEMBLED



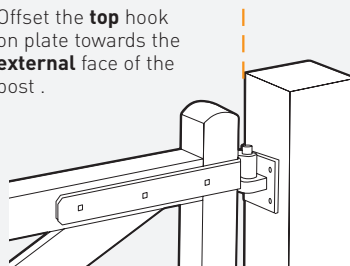
SELF RISING:

The product is specifically designed for situations where the ground rises slightly so your gate will open properly without dragging on the ground.



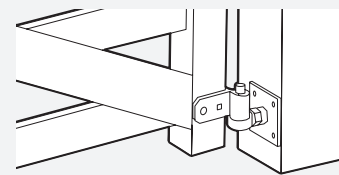
01 ATTACH THE TOP HOOK AND BAND

Offset the **top** hook on plate towards the **external** face of the post.



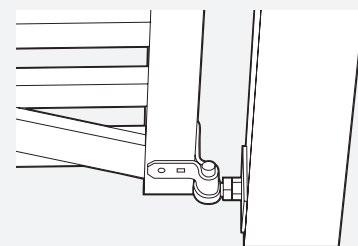
02 ATTACH THE BOTTOM ADJUSTABLE HOOK AND BAND

Offset the **bottom** hook on plate towards the **internal** face of the post.



03 ADJUST THE BOTTOM HOOK

Adjust the bottom hook to make the gate rise further. The adjustability of the bottom hook on plate and the offset nature of the bottom hinge means the gate won't appear out of line despite the fact the top and bottom hooks aren't aligned.



We're always open at: www.birkdalesales.com

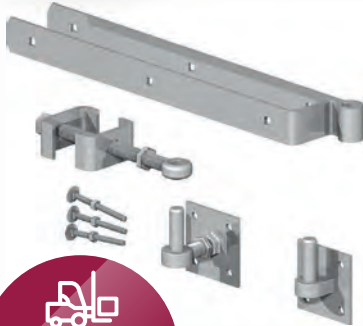
GATEMATE® Field Gate Self-Closing/Rising 45° Hinge Set



FINISH	SIZE INS (MM)	SUITABLE FOR	LOAD APPL.	MIN. ORDER QTY	OUTER CARTON QTY	PALLET QTY	CODE
Galvanised	18 (450)	3" gates	D	1	4	120	034 4511

Includes: 18" top band with 1" diameter eye, 5" bottom band with offset eye on corner, hook on 4" square plate, 3/4" diameter adjustable hook on 4" square plate and fixings. (Gate to be hung between posts). For fitting instructions see p23

GATEMATE® Field Gate Self-Closing/Rising 90° Hinge Set



FINISH	SIZE INS (MM)	SUITABLE FOR	LOAD APPL.	MIN. ORDER QTY	OUTER CARTON QTY	PALLET QTY	CODE
Galvanised	24 (600)	3" gates	D	1	4	84	034 6011

Includes: 24" top band with 1" straight eye on corner, adjustable gate eye and heel clips, hook on 4" square plate, 3/4" diameter adjustable hook on 4" square plate and fixings. (Gate to be hung on rear of posts)

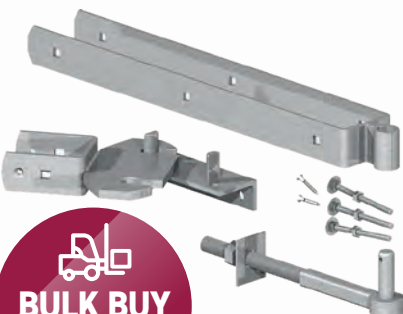
GATEMATE® Field Gate Self-Closing/Rising 180° Hinge Set (2 Way)



FINISH	SIZE INS (MM)	SUITABLE FOR	LOAD APPL.	MIN. ORDER QTY	OUTER CARTON QTY	PALLET QTY	CODE
Galvanised	24 (600)	3" gates	D	1	2	70	034 6021

Includes: 24" top band with 1" diameter eye, bottom band with rocker plate, 15" lock through hook with 3/4" diameter pin and fixings. When gate is open at 90 degrees to post, approximate rise is 75mm per metre width of gate. (Gate to be hung between posts)

GATEMATE® Field Gate Rising Hinge Set with Rocker Plate



FINISH	SIZE INS (MM)	SUITABLE FOR	LOAD APPL.	MIN. ORDER QTY	OUTER CARTON QTY	PALLET QTY	CODE
Galvanised	24 (600)	3" gates	D	1	4	120	034 6001

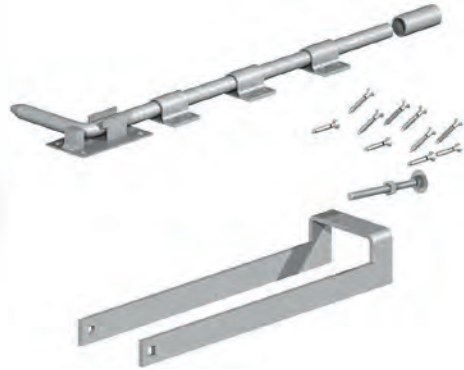
Includes: 24" top band with 3/4" diameter eye, hook to bolt, bottom band with rocker plate and fixings. When gate is open at 90 degree to post, approximate rise is 75mm per metre width of gate. (Gate to be hung between posts)

GATEMATE® Field Gate Fasteners

GATEMATE® Double Field Gate Fastener Set with Garage Door Bolt

DESC	FINISH	SUITABLE FOR	MIN. ORDER QTY	OUTER CARTON QTY	CODE
18" Garage Door Bolt	Galvanised	3" gates	1	10	038 0001
24" Garage Door Bolt	Galvanised	3" gates	1	10	038 0011
18" Garage Door Bolt	Premium Black	3" gates	1	10	038 000B

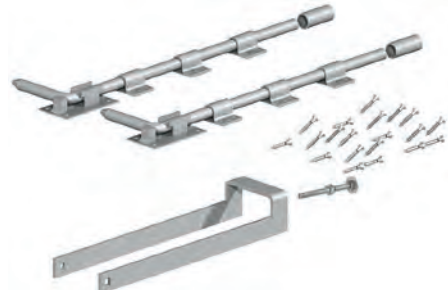
Includes: garage door bolt, 14" throwover loop and fixings



GATEMATE® Double Field Gate Fastener Set with 2 Garage Door Bolts

FINISH	SUITABLE FOR	MIN. ORDER QTY	OUTER CARTON QTY	CODE
Galvanised	3" gates	1	10	038 0021

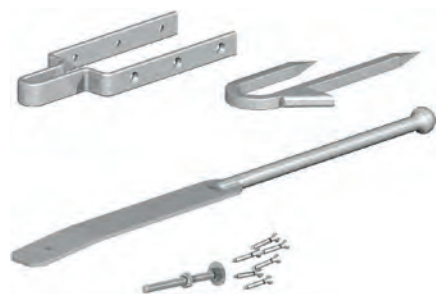
Includes: 2 x 18" garage door bolts, 14" throwover loop and fixings



GATEMATE® Field Gate Spring Fastener Set with Staple Catch

FINISH	SIZE INS (MM)	MIN. ORDER QTY	OUTER CARTON QTY	CODE
Galvanised	24 (600)	1	10	036 0001
Epoxy Black	24 (600)	1	10	036 0003
Premium Black	24 (600)	1	10	036 000B

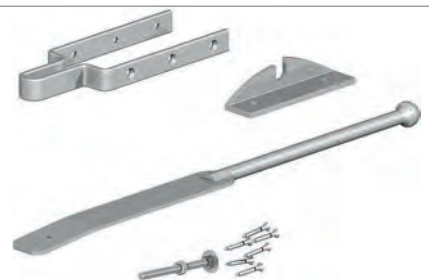
Includes: spring fastener, staple catch, keep and fixings



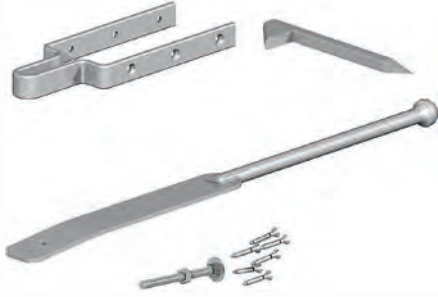
GATEMATE® Field Gate Spring Fastener Set with Central Closing Catch

FINISH	SIZE INS (MM)	MIN. ORDER QTY	OUTER CARTON QTY	CODE
Galvanised	24 (600)	1	10	037 0011

Includes: spring fastener, central closing gate catch, keep and fixings



GATEMATE® Field Gate Spring Fastener Set with Drive Catch



FINISH	SIZE INS (MM)	MIN. ORDER QTY	OUTER CARTON QTY	CODE
Galvanised	26 (600)	1	10	037 0001

Includes: spring fastener, drive catch, keep and fixings

GATEMATE® Field Gate New Zealand Fasteners



FINISH	SIZE (MM)	MIN. ORDER QTY	CODE
BZP	1000	5	571 1002
BZP	420	5	571 4202

GATEMATE® Field Gate Latches, Catches & Bolts

GATEMATE® Kick Over Stable Latch



FINISH	SIZE INS (MM)	MIN. ORDER QTY	CODE
Galvanised	9½ (240)	5	530 2401

GATEMATE® Narrow Pattern Kick Over Latch



FINISH	SIZE INS (MM)	MIN. ORDER QTY	CODE
Galvanised	9½ (240)	5	530 2451

GATEMATE® Field Gate Self-Locking Catch Kit with Cranked Striker



FINISH	PACK TYPE	MIN. ORDER QTY	OUTER CARTON QTY	CODE
Galvanised	Bag	5	-	563 0001
Galvanised	Plain Box	1	20	039 0001

GATEMATE® Field Gate Self Locking Catch Kit with Double Leg Striker

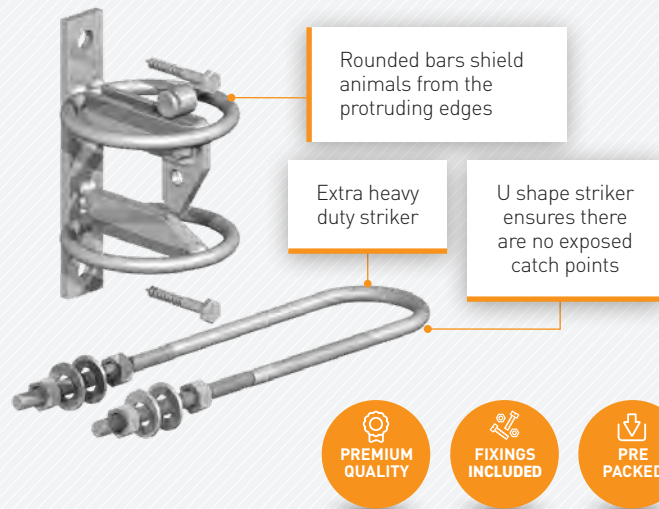
FINISH	PACK TYPE	MIN. ORDER QTY	OUTER CARTON QTY	CODE
Galvanised	Plain Box	1	10	039 0011



GATEMATE®
BY BIRKDALE

FIELD GATE SELF LOCKING ANIMAL SAFETY CATCH KIT

- Designed to provide maximum safety for animals and prevent livestock from injury
- Hot dip galvanised fixings included



GATEMATE® Field Gate Animal Safety Self Locking Catch Kit with Double Leg Striker

FINISH	PACK TYPE	MIN. ORDER QTY	CODE
Galvanised	Plain Box	1	039 0041



GATEMATE® Field Gate Hunting Type Locking Catch Kit

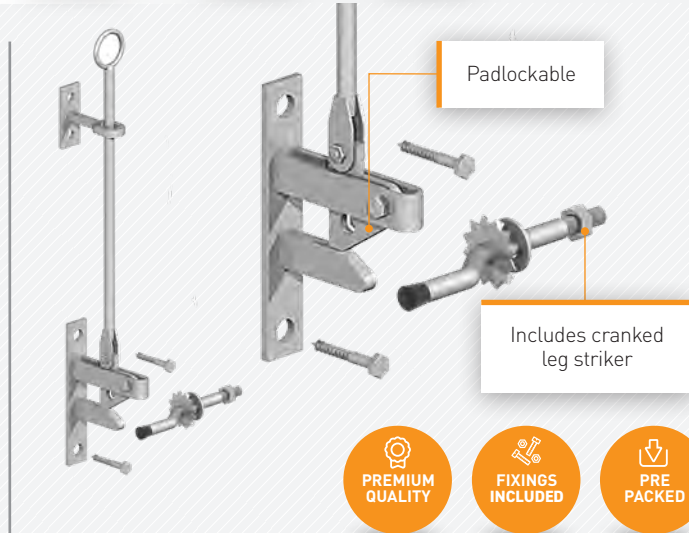
FINISH	MIN. ORDER QTY	CODE
Galvanised	5	564 0001



GATEMATE®
BY BIRKDALE

FIELD GATE HUNTING TYPE LIFT CATCH KIT

- Ergonomically designed for horse riders – allowing operation of a gate without the need to dismount
- Manufactured from heavy duty galvanised steel
- Blunt edges to ensure no harm to animals
- Reliable latching system
- Hot dip galvanised fixings included



GATEMATE® Field Gate Hunting Type Lift Catch Kit

FINISH	MIN. ORDER QTY	OUTER CARTON QTY	CODE
Galvanised	1	10	039 0031



GATEMATE® Field Gate Central Closing Catch

FINISH	MIN. ORDER QTY	CODE
Galvanised	5	568 0001



GATEMATE® Field Gate Shoot Bolt

FINISH	MIN. ORDER QTY	CODE
Galvanised	5	566 0001



GATEMATE® Field Gate Accessories

GATEMATE® 'D' Bracket

FINISH	SIZE INS (MM)	MIN. ORDER QTY	CODE
Galvanised	3½ (89)	5	578 0801



GATEMATE® Slip Rail Bracket

Heavy duty material; 4mm thick. Includes galvanised coach screws

FINISH	SIZE INS (MM)	SUITABLE FOR	MIN. ORDER QTY	OUTER CARTON QTY	CODE
Galvanised	4x2 (100x50)	up to 2 x 4" rails	5	20	529 0001



GATEMATE® Rail Brackets

FINISH	SIZE INS (MM)	UNIT QTY	MIN. ORDER QTY	CODE
Galvanised	2 (50)	Pack of 2	5	583 0511



GATEMATE® Gate Staples

FINISH	SIZE INS (MM)	UNIT QTY	MIN. ORDER QTY	CODE
Galvanised	4 (100)	Pack of 5	5	577 1001



GATEMATE® Gate Staple to Drive

FINISH	SIZE INS (MM)	MIN. ORDER QTY	CODE
Galvanised	4 (100)	5	579 1001





GATEMATE® Field Gate Staple on Elongated Plate



FINISH	SIZE INS (MM)	MIN. ORDER QTY	CODE
Galvanised	3 (75)	5	578 0751

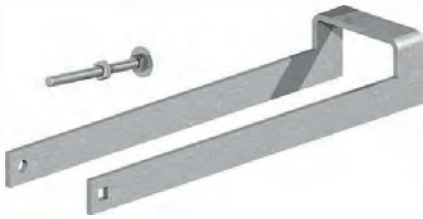
GATEMATE® Field Gate Safety Hook & Eye



FINISH	SIZE INS (MM)	MIN. ORDER QTY	CODE
Galvanised	6 (150)	5	528 1501

Includes chain and eyes

GATEMATE® Field Gate Throwover Loop



FINISH	SIZE INS (MM)	SUITABLE FOR	MIN. ORDER QTY	CODE
Galvanised	14 (350)	3" gates	5	560 3501

GATEMATE® Spring Loaded Gate Wheel - Medium Duty



FINISH	SIZE INS (MM)	MIN. ORDER QTY	OUTER CARTON QTY	CODE
BZP	11 (280)	1	5	581 2802

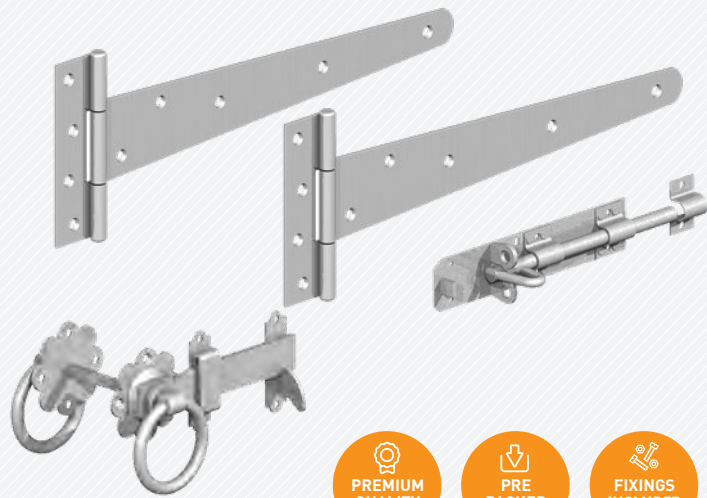
GATEMATE® COMPLETE GATE FIXING KITS

GATEMATE®
BY BIRKDALE

COMPLETE GATE FIXING KITS

Our Fixing Kits contain everything needed to fit your gate; hinges, catches, fixings and instructions.

- Available with suffolk latches, ring gate latches or auto gate catches
- Ruspert high performance woodscrews included



GATEMATE® Pedestrian Gate Kit with Auto Catch

FINISH	MIN. ORDER QTY	CODE
Galvanised	5	595 0001
BZP	5	595 0002
Epoxy Black	5	595 0003

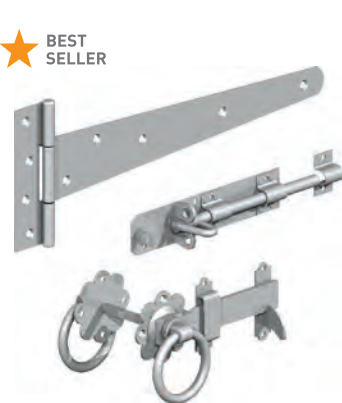
Includes: 1 x pair 14" medium tee hinges, 1 x medium auto catch and fixings to suit



GATEMATE® Side Gate Kit with Ring Gate Latch

FINISH	TEE HINGE SIZE (INS)	MIN. ORDER QTY	PALLET QTY	CODE
Galvanised	16"	5	-	596 0111
Galvanised	18"	5	250	596 0001
BZP	18"	5	250	596 0002
Epoxy Black	16"	5	-	596 0113
Epoxy Black	18"	5	250	596 0003

Includes: 1 x pair 16" or 18" medium tee hinges, 1 x 6" ring gate latch, 1 x 6" x 1/2" brenton padbolt and fixings to suit



GATEMATE® Side Gate Kit with Heavy Suffolk Latch

FINISH	TEE HINGE SIZE (INS)	MIN. ORDER QTY	PALLET QTY	CODE
Galvanised	16"	5	-	597 0111
Galvanised	18"	5	250	597 0001
BZP	18"	5	250	597 0002
Epoxy Black	16"	5	-	597 0113
Epoxy Black	18"	5	250	597 0003

Includes: 1 x pair 16" or 18" medium tee hinges, 1 x heavy suffolk latch, 1 x 6" x 1/2" brenton padbolt and fixings to suit



GATEMATE® HINGES

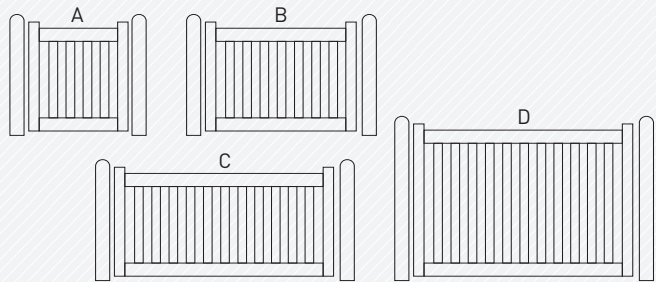
GATEMATE®
BY BIRKDALE

HINGE LOADING APPLICATION PER PAIR

When selecting hinges for your gate please ensure that you choose ones with the correct loading application.

This is only approximate hinge loading application as none of our hinges are tested.

For heavier gates, an additional hinge can be added.



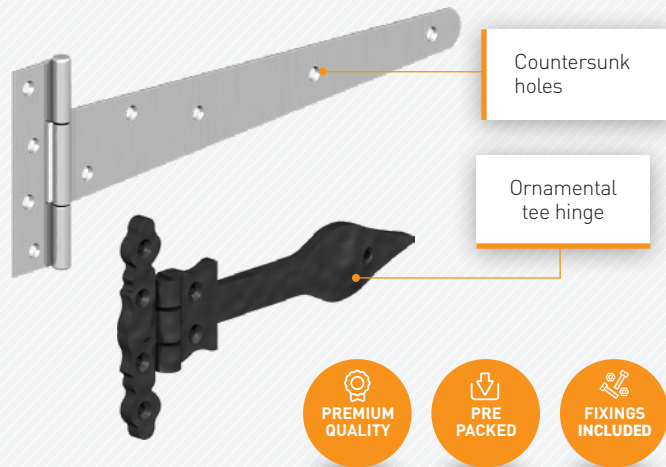
GATE TYPE	CLASS	WEIGHT	MAXIMUM WIDTH
A	SMALL GATES AND DOORS	UP TO 10KG	900MM
B	MEDIUM GATE	UP TO 20KG	1200MM
C	LARGE GATE	UP TO 50KG	1800MM
D	EXTRA LARGE GATE	UP TO 80KG	2400MM

GATEMATE® Tee & Strap Hinges

GATEMATE®
BY BIRKDALE

TEE HINGES

- Suitable for a huge range of gates; with light, medium and heavy weights
- Available in stainless steel and premium black (epoxy black on galvanised steel) finishes
- Ornamental designs also available
- Loading application A-D; see above
- Supplied with high performance ruspert woodscrews



GATEMATE® Light Tee Hinges



LOOKING FOR
ORNAMENTAL
HINGES? TURN
TO PAGE 60

FINISH	SIZE INS (MM)	UNIT QTY	LOAD APPL.	MIN. ORDER QTY	OUTER CARTON QTY	CODE
BZP	4 (100)	1 Pair	A	5 Pairs	40 Pairs	501 1002
BZP	6 (150)	1 Pair	A	5 Pairs	40 Pairs	501 1502
BZP	8 (200)	1 Pair	A	5 Pairs	40 Pairs	501 2002
BZP	10 (250)	1 Pair	A	5 Pairs	40 Pairs	501 2502
BZP	12 (300)	1 Pair	A	5 Pairs	20 Pairs	501 3002
Epoxy Black	4 (100)	1 Pair	A	5 Pairs	40 Pairs	501 1003
Epoxy Black	6 (150)	1 Pair	A	5 Pairs	40 Pairs	501 1503
Epoxy Black	8 (200)	1 Pair	A	5 Pairs	40 Pairs	501 2003
Epoxy Black	10 (250)	1 Pair	A	5 Pairs	40 Pairs	501 2503
Epoxy Black	12 (300)	1 Pair	A	5 Pairs	20 Pairs	501 3003

Material thickness between 1.00 and 1.50mm

GATEMATE® Medium Tee Hinges

FINISH	SIZE INS (MM)	UNIT QTY	LOAD APPL.	MIN. ORDER QTY	OUTER CARTON QTY	CODE
Galvanised	12 (300)	1 Pair	B	5 Pairs	30 Pairs	502 3001
Galvanised	14 (350)	1 Pair	B	5 Pairs	30 Pairs	502 3501
Galvanised	15 (375)	1 Pair	B	5 Pairs	30 Pairs	502 3751
Galvanised	16 (400)	1 Pair	B	5 Pairs	30 Pairs	502 4001
Galvanised	18 (450)	1 Pair	B	5 Pairs	20 Pairs	502 4501
Galvanised	24 (600)	1 Pair	B	5 Pairs	-	502 6001
BZP	10 (250)	1 Pair	B	5 Pairs	30 Pairs	502 2502
BZP	12 (300)	1 Pair	B	5 Pairs	30 Pairs	502 3002
BZP	14 (350)	1 Pair	B	5 Pairs	30 Pairs	502 3502
BZP	15 (375)	1 Pair	B	5 Pairs	30 Pairs	502 3752
BZP	16 (400)	1 Pair	B	5 Pairs	30 Pairs	502 4002
BZP	18 (450)	1 Pair	B	5 Pairs	20 Pairs	502 4502
BZP	24 (600)	1 Pair	B	5 Pairs	-	502 6002
Epoxy Black	10 (250)	1 Pair	B	5 Pairs	30 Pairs	502 2503
Epoxy Black	12 (300)	1 Pair	B	5 Pairs	30 Pairs	502 3003
Epoxy Black	14 (350)	1 Pair	B	5 Pairs	30 Pairs	502 3503
Epoxy Black	15 (375)	1 Pair	B	5 Pairs	30 Pairs	502 3753
Epoxy Black	16 (400)	1 Pair	B	5 Pairs	30 Pairs	502 4003
Epoxy Black	18 (450)	1 Pair	B	5 Pairs	20 Pairs	502 4503
Epoxy Black	24 (600)	1 Pair	B	5 Pairs	-	502 6003

Material thickness between 1.80 and 2.50mm



GATEMATE® Medium Tee Hinges (1.5 Pairs)

An extra tee hinge per set gives additional strength for higher use and heavier application

FINISH	SIZE INS (MM)	UNIT QTY	LOAD APPL.	MIN. ORDER QTY	CODE
Galvanised	18 (450)	1.5 Pairs	B	5 Packs	502 4511
Epoxy Black	18 (450)	1.5 Pairs	B	5 Packs	502 4513



GATEMATE® Strong Tee Hinges



FINISH	SIZE INS (MM)	UNIT QTY	LOAD APPL.	MIN. ORDER QTY	CODE
Galvanised	6 (150)	1 Pair	C	5 Pairs	503 1501
Galvanised	8 (200)	1 Pair	C	5 Pairs	503 2001
Galvanised	10 (250)	1 Pair	C	5 Pairs	503 2501
Galvanised	12 (300)	1 Pair	C	5 Pairs	503 3001
Galvanised	14 (350)	1 Pair	C	5 Pairs	503 3501
Galvanised	16 (400)	1 Pair	C	5 Pairs	503 4001
Galvanised	18 (450)	1 Pair	C	5 Pairs	503 4501
Galvanised	20 (500)	1 Pair	C	5 Pairs	503 5001
Galvanised	24 (600)	1 Pair	C	5 Pairs	503 6001
BZP	6 (150)	1 Pair	C	5 Pairs	503 1502
BZP	8 (200)	1 Pair	C	5 Pairs	503 2002
BZP	10 (250)	1 Pair	C	5 Pairs	503 2502
Epoxy Black	12 (300)	1 Pair	C	5 Pairs	503 3003
Epoxy Black	14 (350)	1 Pair	C	5 Pairs	503 3503
Epoxy Black	16 (400)	1 Pair	C	5 Pairs	503 4003
Epoxy Black	18 (450)	1 Pair	C	5 Pairs	503 4503
Epoxy Black	24 (600)	1 Pair	C	5 Pairs	503 6003
Premium Black	18 (450)	1 Pair	C	5 Pairs	503 450B
Premium Black	24 (600)	1 Pair	C	5 Pairs	503 600B

Material thickness between 2.00 and 3.50mm

GATEMATE® Weighty Scotch Tee Hinges



FINISH	SIZE INS (MM)	UNIT QTY	LOAD APPL.	MIN. ORDER QTY	OUTER CARTON QTY	CODE
Galvanised	4 (100)	1 Pair	C	5 Pairs	30 Pairs	505 1001
Galvanised	6 (150)	1 Pair	C	5 Pairs	30 Pairs	505 1501
Galvanised	8 (200)	1 Pair	C	5 Pairs	30 Pairs	505 2001
Galvanised	10 (250)	1 Pair	C	5 Pairs	-	505 2501
Galvanised	12 (300)	1 Pair	C	5 Pairs	-	505 3001
Galvanised	14 (350)	1 Pair	C	5 Pairs	-	505 3501
Galvanised	16 (400)	1 Pair	C	5 Pairs	-	505 4001
Galvanised	18 (450)	1 Pair	D	5 Pairs	-	505 4501
Stainless Steel*	12 (300)	1 Pair	C	1 Pair	5 Pairs	505 3006

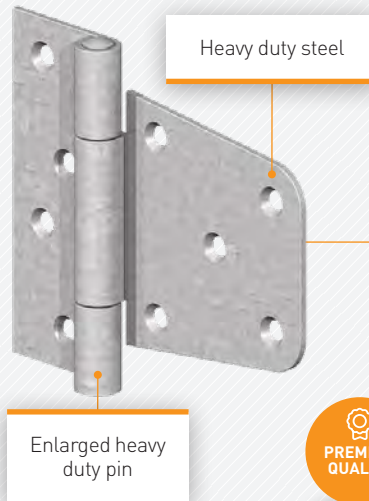
Material thickness between 2.00 and 4.00mm

*Constructed from Grade 316 Stainless Steel

GATEMATE®
BY BIRKDALE

HEAVY DUTY OFFSET TEE HINGE

- The only offset tee hinge on the market!
- Provides increased strength over standard butt hinges
- Suitable for arched top and flat style continental gates where there are no cross braces
- High performance, ruspert coated woodscrews included for excellent corrosion resistance



Short band for use in applications where there are no cross braces on the gate



GATEMATE® Heavy Duty Offset Tee Hinges

FINISH	SIZE INS (MM)	UNIT QTY	LOAD APPL.	MIN. ORDER QTY	CODE
Galvanised	3½ (89)	1 Pair	C	5 Pairs	602 0011
Epoxy Black	3½ (89)	1 Pair	C	5 Pairs	602 0013

Material thickness 2.50mm



**THE ONLY
HEAVY DUTY
OFFSET TEE
HINGE ON THE
MARKET!**

GATEMATE® Medium Strap Hinges

FINISH	SIZE INS (MM)	UNIT QTY	LOAD APPL.	MIN. ORDER QTY	CODE
BZP	8 (200)	1 Pair	B	5 Pairs	522 2002
BZP	10 (250)	1 Pair	B	5 Pairs	522 2502
BZP	12 (300)	1 Pair	B	5 Pairs	522 3002



GATEMATE®
BY BIRKDALE

Merchandising stands

Discover one of the largest ranges of pre-packed door and gate furniture, supplied complete with all the screws and fixings you'll need.

T 0345 450 9000 **E** mail@birksales.com



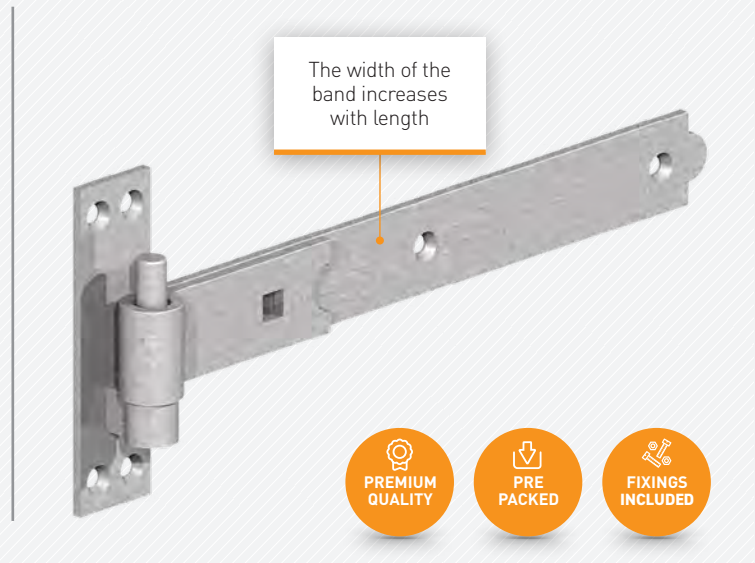
GATEMATE® Band & Hook Hinges

GATEMATE
BY BIRKDALE

STRAIGHT BAND & HOOK ON PLATE

Available in a range of sizes and finishes

- Suitable for wooden gates
- Loading Application B - D; see page 034



GATEMATE® Straight Band & Hook on Plate

FINISH	SIZE INS (MM)	UNIT QTY	LOAD APPL.	MIN. ORDER QTY	CODE
Galvanised	10 (250)	1 Pair	B	5 Pairs	506 2501
Galvanised	12 (300)	1 Pair	B	5 Pairs	506 3001
Galvanised	14 (350)	1 Pair	B	5 Pairs	506 3501
Galvanised	16 (400)	1 Pair	B	5 Pairs	506 4001
Galvanised	18 (450)	1 Pair	C	5 Pairs	506 4501
Galvanised	20 (500)	1 Pair	C	5 Pairs	506 5001
Galvanised	24 (600)	1 Pair	C	2 Pairs	506 6001
Galvanised	30 (750)	1 Pair	D	2 Pairs	506 7501
Galvanised	36 (900)	1 Pair	D	2 Pairs	506 9001
Epoxy Black	12 (300)	1 Pair	B	5 Pairs	506 3003
Epoxy Black	14 (350)	1 Pair	B	5 Pairs	506 3503
Epoxy Black	16 (400)	1 Pair	B	5 Pairs	506 4003
Epoxy Black	18 (450)	1 Pair	C	5 Pairs	506 4503
Epoxy Black	24 (600)	1 Pair	C	2 Pairs	506 6003
Epoxy Black	36 (900)	1 Pair	D	2 Pairs	506 9003
Stainless Steel*	18 (450)	1 Pair	C	1 Pair	506 4506

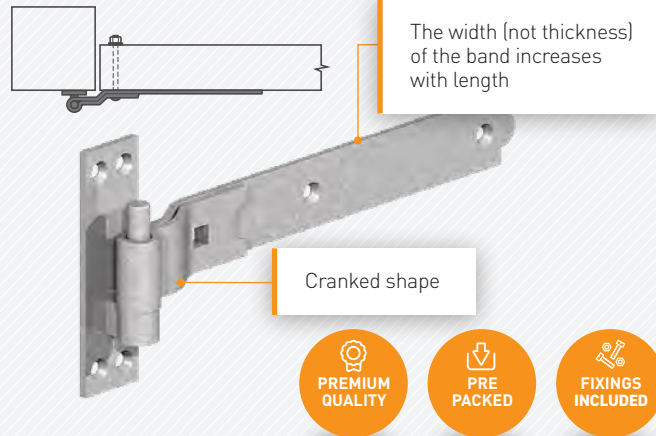
*Constructed from Grade 316 Stainless Steel

GATEMATE®
BY BIRKDALE

CRANKED BAND & HOOK ON PLATE

Designed for installations where the gate is flush with the front of the post

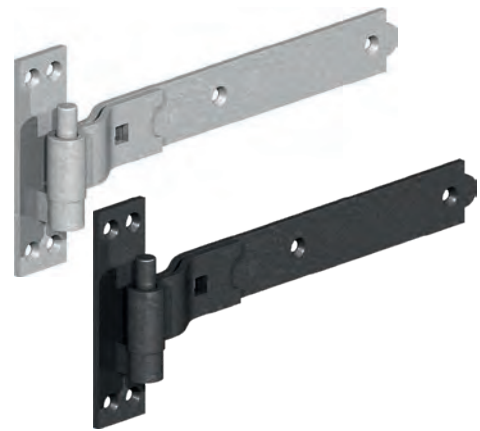
- Available in a range of sizes and finishes including stainless steel and premium black (epoxy black on galvanised steel) finishes
- Suitable for wooden gates
- Loading application B - D; see page 034



GATEMATE® Cranked Band & Hook on Plate

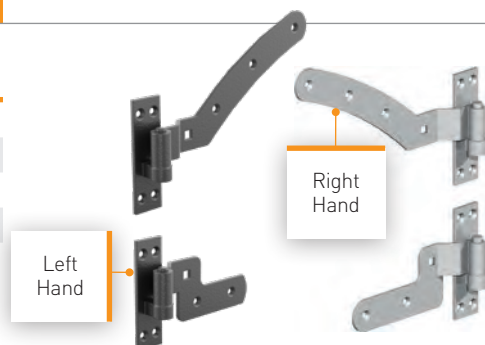
FINISH	SIZE INS (MM)	UNIT QTY	LOAD APPL.	MIN. ORDER QTY	CODE
Galvanised	10 (250)	1 Pair	B	5 Pairs	507 2501
Galvanised	12 (300)	1 Pair	B	5 Pairs	507 3001
Galvanised	14 (350)	1 Pair	B	5 Pairs	507 3501
Galvanised	16 (400)	1 Pair	B	5 Pairs	507 4001
Galvanised	18 (450)	1 Pair	C	5 Pairs	507 4501
Galvanised	20 (500)	1 Pair	C	5 Pairs	507 5001
Galvanised	24 (600)	1 Pair	C	2 Pairs	507 6001
Galvanised	30 (750)	1 Pair	D	2 Pairs	507 7501
Galvanised	36 (900)	1 Pair	D	2 Pairs	507 9001
Epoxy Black	12 (300)	1 Pair	B	5 Pairs	507 3003
Epoxy Black	14 (350)	1 Pair	B	5 Pairs	507 3503
Epoxy Black	16 (400)	1 Pair	B	5 Pairs	507 4003
Epoxy Black	18 (450)	1 Pair	C	5 Pairs	507 4503
Epoxy Black	24 (600)	1 Pair	C	2 Pairs	507 6003
Epoxy Black	30 (750)	1 Pair	D	2 Pairs	507 7503
Epoxy Black	36 (900)	1 Pair	D	2 Pairs	507 9003
Premium Black	18 (450)	1 Pair	C	5 Pairs	507 450B
Premium Black	24 (600)	1 Pair	C	2 Pairs	507 600B
Premium Black	30 (750)	1 Pair	D	2 Pairs	507 750B
Premium Black	36 (900)	1 Pair	D	2 Pairs	507 900B
Stainless Steel*	18 (450)	1 Pair	C	1 Pair	507 4506
Stainless Steel*	24 (600)	1 Pair	C	1 Pair	507 6006

*Constructed from Grade 316 Stainless Steel



GATEMATE® Cranked Curved Rail Hinges Kit

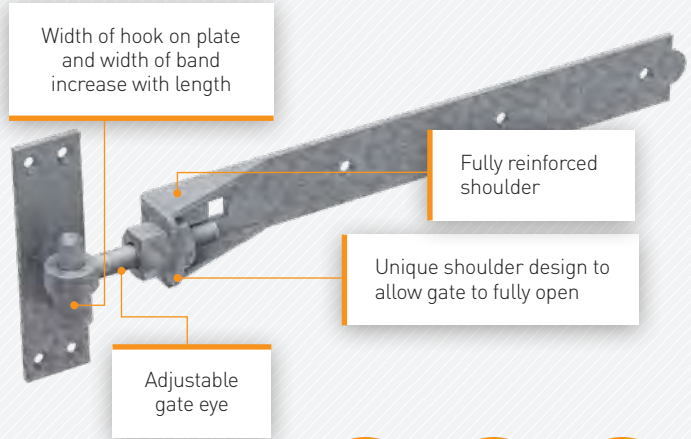
FINISH	LENGTH INS (MM)	DESC	LOAD APPL.	MIN. ORDER QTY	CODE
Galvanised	12 (300)	Left Handed	C	5	598 0001
Galvanised	12 (300)	Right Handed	C	5	598 0011
Premium Black	12 (300)	Left Handed	C	5	598 000B
Premium Black	12 (300)	Right Handed	C	5	598 001B



ADJUSTABLE BAND & HOOKS ON PLATES

These heavy duty, robust hinges provide full adjustability; allowing the installer to align gates both during fitting and afterwards to compensate for gate drop over time. Ideal for use on high-use/heavy gates and external doors.

- **Easy to fit and adjust**
- **Available in a range of sizes and finishes including stainless steel and premium black (epoxy black on galvanised steel) finishes**
- **Wide range of sizes**
- **Loading application B - D; see page 034**



GATEMATE® Adjustable Band & Hook on Plate

These GATEMATE® band and hook hinges are both easy to fit and use; allowing the installer to align gates during fitting, and adjust afterwards to compensate for gate drop over time



FINISH	SIZE INS (MM)	UNIT QTY	LOAD APPL.	MIN. ORDER QTY	CODE
Galvanised	14 (350)	1 Pair	B	5 Pairs	508 3501
Galvanised	18 (450)	1 Pair	C	5 Pairs	508 4501
Galvanised	24 (600)	1 Pair	C	2 Pairs	508 6001
Galvanised	30 (750)	1 Pair	D	2 Pairs	508 7501
Galvanised	36 (900)	1 Pair	D	1 Pair	508 9001
Epoxy Black	18 (450)	1 Pair	C	5 Pairs	508 4503
Epoxy Black	24 (600)	1 Pair	C	2 Pairs	508 6003
Epoxy Black	30 (750)	1 Pair	D	2 Pairs	508 7503
Epoxy Black	36 (900)	1 Pair	D	1 Pair	508 9003
Premium Black	18 (450)	1 Pair	C	5 Pairs	508 450B
Premium Black	24 (600)	1 Pair	C	2 Pairs	508 600B
Premium Black	30 (750)	1 Pair	D	2 Pairs	508 750B
Premium Black	36 (900)	1 Pair	D	1 Pair	508 900B
Stainless Steel*	18 (450)	1 Pair	C	1 Pair	508 4506
Stainless Steel*	24 (600)	1 Pair	C	1 Pair	508 6006
Stainless Steel*	36 (900)	1 Pair	D	1 Pair	508 9006

1 pair includes: 2 x adjustable bands, 2 x adjustable gate eyes, 2 x hooks on plates and all required fixings

*Constructed from Grade 316 Stainless Steel

GATEMATE® Braced Adjustable Band & Hook on Plate



FINISH	SIZE INS (MM)	UNIT QTY	LOAD APPL.	MIN. ORDER QTY	CODE
Galvanised	14 (350)	1 Pair	B	5 Pairs	598 0101

GATEMATE® Heavy Reversible Hinges

GATEMATE® Heavy Reversible Hinges

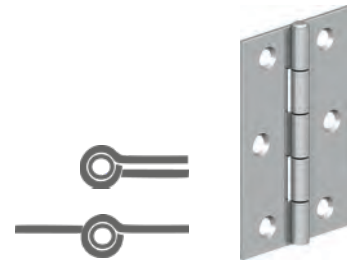
FINISH	SIZE INS (MM)	UNIT QTY	LOAD APPL.	MIN. ORDER QTY	CODE
Galvanised	12 (300)	1 Pair	B	5 Pairs	509 3001
Galvanised	14 (350)	1 Pair	B	5 Pairs	509 3501
Galvanised	16 (400)	1 Pair	B	5 Pairs	509 4001
Galvanised	18 (450)	1 Pair	C	5 Pairs	509 4501
Galvanised	20 (500)	1 Pair	C	5 Pairs	509 5001
Galvanised	24 (600)	1 Pair	C	2 Pairs	509 6001
Galvanised	30 (750)	1 Pair	D	2 Pairs	509 7501
Galvanised	36 (900)	1 Pair	D	2 Pairs	509 9001
Epoxy Black	12 (300)	1 Pair	B	5 Pairs	509 3003
Epoxy Black	16 (400)	1 Pair	B	5 Pairs	509 4003
Epoxy Black	18 (450)	1 Pair	C	5 Pairs	509 4503
Epoxy Black	20 (500)	1 Pair	C	5 Pairs	509 5003
Epoxy Black	24 (600)	1 Pair	C	2 Pairs	509 6003
Epoxy Black	30 (750)	1 Pair	D	2 Pairs	509 7503
Epoxy Black	36 (900)	1 Pair	D	2 Pairs	509 9003
Premium Black	18 (450)	1 Pair	C	5 Pairs	509 450B
Premium Black	24 (600)	1 Pair	C	2 Pairs	509 600B
Premium Black	36 (900)	1 Pair	D	1 Pair	509 900B



GATEMATE® Butt Hinges

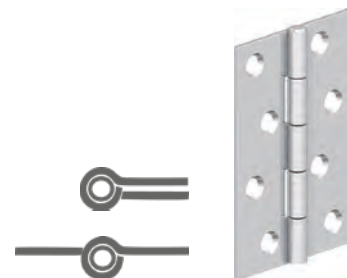
GATEMATE® Butt Hinges 1838

FINISH	SIZE INS (MM)	UNIT QTY	LOAD APPL.	MIN. ORDER QTY	CODE
BZP	2 (50)	1 Pair	A	5 Pairs	504 0502
BZP	3 (75)	1 Pair	A	5 Pairs	504 0752
BZP	4 (100)	1 Pair	A	5 Pairs	504 1002
BZP	6 (150)	1 Pair	A	5 Pairs	504 1502



GATEMATE® Strong Butt Hinges 451

FINISH	SIZE INS (MM)	UNIT QTY	LOAD APPL.	MIN. ORDER QTY	CODE
BZP	4 (100)	1 Pair	A	5	545 1002



GATEMATE® Grade 11 Stainless Steel Ball Bearing Butt Hinge



- For indoor use on timber doors
- High quality smooth ball bearing action
- Includes stainless steel screws

FINISH	SIZE INS (MM)	UNIT QTY	LOAD APPL.	MIN. ORDER QTY	CODE
Brushed Stainless Steel	3 x 2 (75 x 50)	1 Pair	A	1 Pair	027 0756B

Constructed from Grade 316 stainless steel

GATEMATE® Grade 13 Stainless Steel Ball Bearing Butt Hinge



- Certified CE13 BSN1935
- Includes stainless steel screws
- CERTIFIRE approved product
- Quality and performance BSEN1935
- Fire safety BSEN1634 - for use on 30 minute and 1 hour fire doors

FINISH	SIZE INS (MM)	UNIT QTY	LOAD APPL.	MIN. ORDER QTY	INNER CARTON QTY	OUTER CARTON QTY	CODE
Brushed Stainless Steel	4 x 3 (102 x 76)	1 Pair	A	1 Pack	1 Pack	40 Packs	027 1006B
Brushed Stainless Steel	4 x 3 (102 x 76)	1.5 Pairs	A	1 Pack	3 Packs	25 Packs	027 1016B
Polished Stainless Steel	4 x 3 (102 x 76)	1.5 Pairs	A	1 Pack	3 Packs	25 Packs	027 1016P

Constructed from Grade 316 stainless steel

DuraPost
BY BIRKDALE

URBAN SLATTED PANELS

CONTEMPORARY BACKDROP TO YOUR GARDEN

New architectural chic

An exciting new option for those looking for a more architectural style to define their space. DuraPost's new URBAN SLATTED PANELS bring a more contemporary look to garden boundaries.

COLOURS



PAGE
252



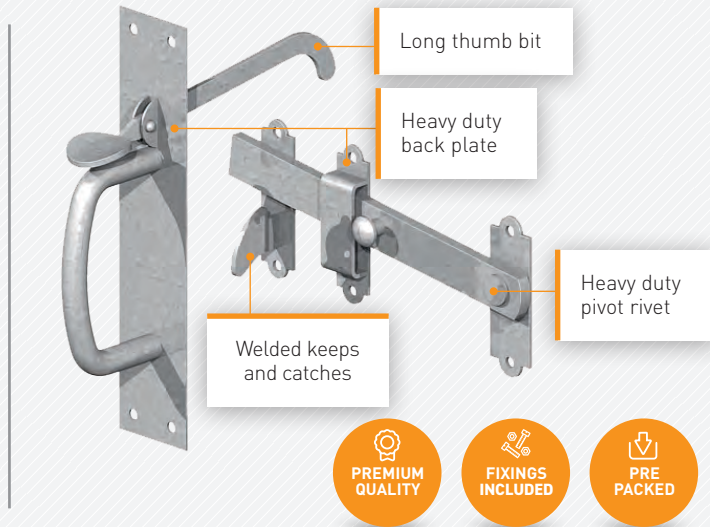
GATEMATE® LATCHES, CATCHES, HOOKS & BOLTS

GATEMATE® Latches

GATEMATE®
BY BIRKDALE

SUFFOLK LATCHES

- Available in light and heavy duty options and a range of finishes and styles
- Heavy pattern provides excellent strength for heavy use applications
- High performance, ruspert coated woodscrews included for excellent corrosion resistance
- Suitable for up to 3" gates



GATEMATE® Light Suffolk Latch Set

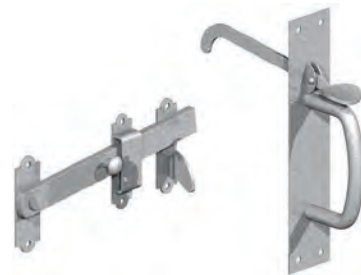
FINISH	THUMB LENGTH INS (MM)	MIN. ORDER QTY	OUTER CARTON QTY	CODE
BZP	4 ½ (115)	5	30	523 0012
Epoxy Black	4 ½ (115)	5	30	523 0013

LOOKING FOR AN ORNAMENTAL SUFFOLK LATCH? TURN TO PAGE 061



GATEMATE® Heavy Suffolk Latch Set

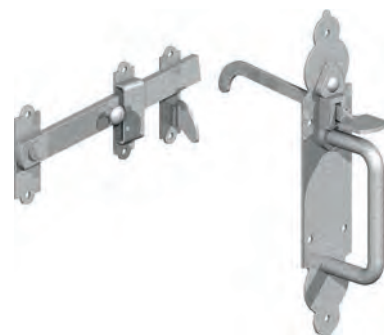
FINISH	THUMB LENGTH INS (MM)	MIN. ORDER QTY	OUTER CARTON QTY	CODE
Galvanised	4 ½ (115)	5	30	523 0021
BZP	4 ½ (115)	5	30	523 0022
Epoxy Black	4 ½ (115)	5	30	523 0023
Premium Black	4 ½ (115)	5	30	523 002B



GATEMATE® Heavy Gothic Suffolk Latch Set

FINISH	THUMB LENGTH INS (MM)	MIN. ORDER QTY	OUTER CARTON QTY	CODE
Galvanised	4 ½ (115)	5	30	523 0031
BZP	4 ½ (115)	5	30	523 0032
Epoxy Black	4 ½ (115)	5	30	523 0033
Stainless Steel*	4 ½ (115)	1	30	523 0036

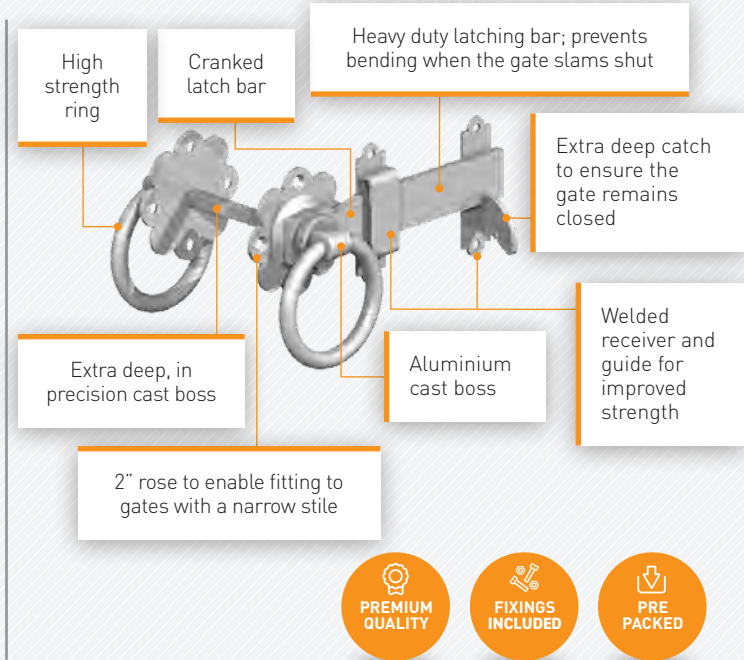
*Constructed from Grade 316 Stainless Steel



GATEMATE®
BY BIRKDALE

RING GATE LATCH

- Very popular within the range; featuring a choice of sizes and finishes
- Ornamental designs also available
- High performance, rusper coated woodscrews included for excellent corrosion resistance



LOOKING FOR
8" OR 10" RING
GATE LATCHES?
TURN TO
ORNAMENTAL
ON PAGE 061

BEST
SELLER ★



GATEMATE® Ring Gate Latch

FINISH	SIZE INS (MM)	MIN. ORDER QTY	OUTER CARTON QTY	CODE
Galvanised	4 (100)	5	30	525 1001
Galvanised	5 (125)	5	30	525 1251
Galvanised	6 (150)	5	30	525 1501
Galvanised	7 (175)	5	30	525 1751
BZP	5 (125)	5	30	525 1252
BZP	6 (150)	5	30	525 1502
Epoxy Black	5 (125)	5	30	525 1253
Epoxy Black	6 (150)	5	30	525 1503
Epoxy Black	7 (175)	5	30	525 1753
Premium Black	5 (125)	5	-	525 125B
Premium Black	6 (150)	5	-	525 150B
Stainless Steel*	6 (150)	1	-	525 1506

*Constructed from Grade 316 Stainless Steel

GATEMATE® Twisted Ring Gate Latch

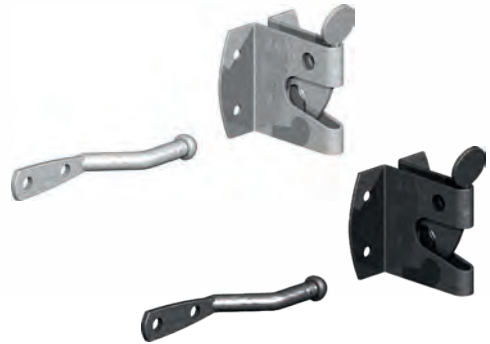
FINISH	SIZE INS (MM)	MIN. ORDER QTY	OUTER CARTON QTY	CODE
Galvanised	6 (150)	5	30	524 1501
Epoxy Black	6 (150)	5	30	524 1503



GATEMATE® Catches

GATEMATE® Auto Gate Catch

FINISH	SIZE	MIN. ORDER QTY	OUTER CARTON QTY	CODE
Galvanised	Medium	5	30	521 0011
BZP	Medium	5	30	521 0012
Epoxy Black	Medium	5	30	521 0013
Galvanised	Large	5	30	521 0021
Epoxy Black	Large	5	30	521 0023



GATEMATE® Easy-Close Auto Gate Catch

Brass pin for greater rust resistance

FINISH	SIZE INS (MM)	MIN. ORDER QTY	CODE
Galvanised	2 (50)	5	601 0011
BZP	2 (50)	5	601 0012
Epoxy Black	2 (50)	5	601 0013



GATEMATE® Kenham Gate Catch

FINISH	SIZE INS (MM)	MIN. ORDER QTY	CODE
BZP	3 (75)	5	566 0752



GATEMATE® Gate Return Spring

FINISH	SIZE INS (MM)	MIN. ORDER QTY	OUTER CARTON QTY	CODE
BZP	8 (200)	5	40	526 2002
BZP	10 (250)	5	40	526 2502
Epoxy Black	8 (200)	5	40	526 2003
Epoxy Black	10 (250)	5	40	526 2503

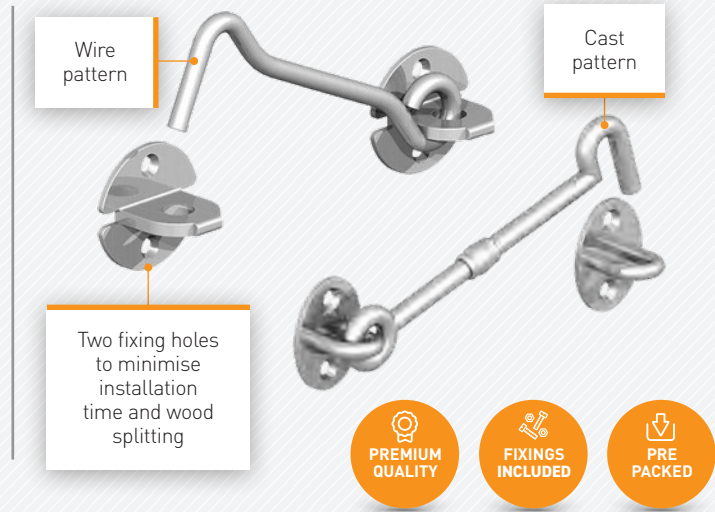


GATEMATE® Hooks

GATEMATE
BY BIRKDALE

CABIN HOOKS

- Range of patterns and finishes available including stainless steel and premium black (epoxy black on galvanised steel)
- Available up to 600mm (24") long



GATEMATE® Wire Pattern Cabin Hooks



FINISH	SIZE INS (MM)	MIN. ORDER QTY	CODE
Galvanised	4 (100)	5	532 1001
Galvanised	6 (150)	5	532 1501
Galvanised	8 (200)	5	532 2001
Galvanised	10 (250)	5	532 2501
Galvanised	12 (300)	5	532 3001
Galvanised	24 (600) *	5	532 6001
Epoxy Black	4 (100)	5	532 1003
Epoxy Black	6 (150)	5	532 1503
Epoxy Black	8 (200)	5	532 2003
Epoxy Black	12 (300)	5	532 3003

*Heavy duty

GATEMATE® Cast Pattern Cabin Hooks



FINISH	SIZE INS (MM)	MIN. ORDER QTY	CODE
Galvanised	4 (100)	5	541 1001
Galvanised	6 (150)	5	541 1501
Galvanised	8 (200)	5	541 2001
Galvanised	10 (250)	5	541 2501
Epoxy Black	4 (100)	5	541 1003
Epoxy Black	6 (150)	5	541 1503
Epoxy Black	8 (200)	5	541 2003
Epoxy Black	10 (250)	5	541 2503
Premium Black	8 (200)	5	541 200B
Stainless Steel*	4 (100)	5	541 1006

*Constructed from Grade 316 Stainless Steel

GATEMATE® Turn Buttons Cast

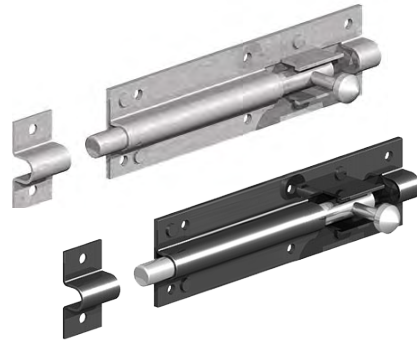
FINISH	SIZE INS (MM)	UNIT QTY	MIN. ORDER QTY	CODE
BZP	2 (50)	Pack of 2	5	527 0502
Epoxy Black	2 (50)	Pack of 2	5	527 0503



GATEMATE® Bolts

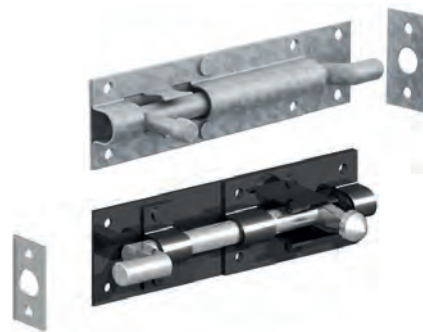
GATEMATE® Tower Bolt

FINISH	SIZE INS (MM)	MIN. ORDER QTY	CODE
Galvanised	3 (75)	5	510 0751
Galvanised	4 (100)	5	510 1001
Galvanised	6 (150)	5	510 1501
Galvanised	8 (200)	5	510 2001
Galvanised	10 (250)	5	510 2501
BZP	4 (100)	5	510 1002
BZP	6 (150)	5	510 1502
BZP	8 (200)	5	510 2002
Epoxy Black	3 (75)	5	510 0753
Epoxy Black	4 (100)	5	510 1003
Epoxy Black	6 (150)	5	510 1503
Epoxy Black	8 (200)	5	510 2003
Epoxy Black	10 (250)	5	510 2503



GATEMATE® Necked Tower Bolt

FINISH	SIZE INS (MM)	MIN. ORDER QTY	CODE
Galvanised	6 (150)	5	511 1501
Epoxy Black	6 (150)	5	511 1503



GATEMATE® Oval Padbolt

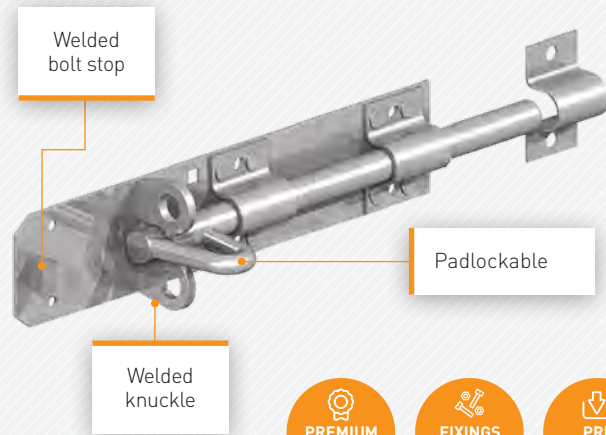
FINISH	SIZE INS (MM)	MIN. ORDER QTY	OUTER CARTON QTY	CODE
Galvanised	4 (100)	5	30	514 1001
BZP	4 (100)	5	30	514 1002
Epoxy Black	4 (100)	5	30	514 1003



BRENTON PADBOLTS

These brenton padbolts are ideal for use on gates and sheds alike.

- ½" or ⅝" diameter shoots
- Available in a range of finishes; including stainless steel and premium black (epoxy black on galvanised steel)
- All fittings are welded through to the back plate instead of being punched to provide more security



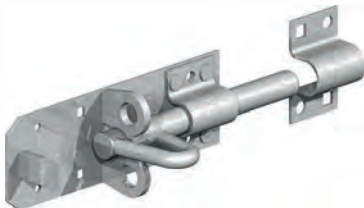
GATEMATE® Brenton Padbolt with ½" Shoot



FINISH	SIZE INS (MM)	MIN. ORDER QTY	OUTER CARTON QTY	CODE
Galvanised	4 (100)	5	30	512 1001
Galvanised	6 (150)	5	30	512 1501
Galvanised	8 (200)	5	30	512 2001
Galvanised	10 (250)	5	30	512 2501
BZP	4 (100)	5	30	512 1002
BZP	6 (150)	5	30	512 1502
BZP	8 (200)	5	30	512 2002
Epoxy Black	4 (100)	5	30	512 1003
Epoxy Black	6 (150)	5	30	512 1503
Epoxy Black	8 (200)	5	30	512 2003
Premium Black	6 (150)	5	30	512 150B
Premium Black	8 (200)	5	30	512 200B
Stainless Steel*	6 (150)	1	5	512 1506

*Constructed from Grade 316 Stainless Steel

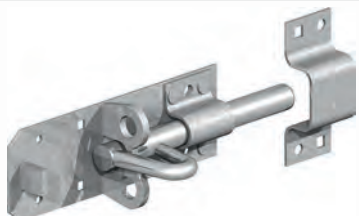
GATEMATE® Brenton Padbolt with ⅝" Shoot



FINISH	SIZE INS (MM)	MIN. ORDER QTY	OUTER CARTON QTY	CODE
Galvanised	6 (150)	5	30	513 1501
Galvanised	8 (200)	5	30	513 2001
Galvanised	10 (250)	5	30	513 2501
Galvanised	12 (300)	5	30	513 3001
Stainless Steel*	8 (200)	1	5	513 2006

*Constructed from Grade 316 Stainless Steel

GATEMATE® Brenton Padbolt with ⅝" Shoot & Elongated Keep



FINISH	SIZE INS (MM)	MIN. ORDER QTY	CODE
Galvanised	6 (150)	5	513 1511
Galvanised	8 (200)	5	513 2011

GATEMATE® Brenton Padbolt Kit with 2" Padlock

FINISH	SIZE INS (MM)	SHOOT DIAMETER INS (MM)	MIN. ORDER QTY	CODE
Galvanised	6 (150)	½ (12)	5	512 1511
BZP	6 (150)	½ (12)	5	512 1512



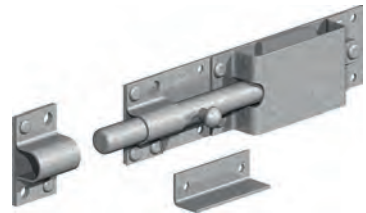
GATEMATE® Heavy Cross Pattern Door Bolt

FINISH	SIZE INS (MM)	MIN. ORDER QTY	CODE
Galvanised	12 (300)	5	527 3001
Galvanised	15 (375)	5	527 3751
Galvanised	18 (450)	5	527 4501
Galvanised	24 (600)	5	527 6001



GATEMATE® Autolock Animal Bolt

FINISH	SIZE INS (MM)	MIN. ORDER QTY	CODE
Galvanised	9 (230)	5	515 2301



GATEMATE® Spring-Loaded Animal Bolt

FINISH	SIZE INS (MM)	SHOOT DIAMETER INS (MM)	MIN. ORDER QTY	OUTER CARTON QTY	CODE
BZP	4½ (115)	½ (12)	5	30	516 0122



GATEMATE® Spring-Loaded Bolt

FINISH	SIZE INS (MM)	SHOOT DIAMETER INS (MM)	MIN. ORDER QTY	OUTER CARTON QTY	CODE
BZP	4½ (115)	½ (12)	5	30	516 1122
BZP	4 (105)	⅝ (16)	5	30	516 1162
BZP	2¾ (70)	⅜ (9.5)	5	30	516 1952



GATEMATE® Spring-Loaded Bolt - Short Body

Features glow in the dark handle

FINISH	SIZE INS (MM)*	SHOOT DIAMETER INS (MM)	MIN. ORDER QTY	CODE
BZP	½ (12)	3 (75)	5	516 3122
BZP	⅝ (9.5)	2½ (60)	5	516 3952

*Diameter x Length



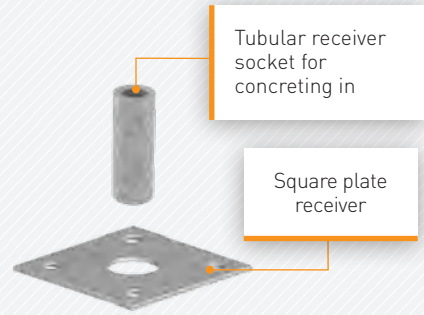
GLOW IN THE DARK HANDLE

GATEMATE
BY BIRKDALE

GARAGE DOOR BOLT

Also known as 'drop bolts', our Garage Door Bolts are popular in the range and are suitable for a variety of applications.

- Available in galvanised, epoxy black, premium black and stainless steel
- Comes with Square Plate and Tubular Receiver Sockets for your choice of installation



GATEMATE® Garage Door Bolt with 5/8" Shoot

Tubular and square plate receiver sockets included



FINISH	SIZE INS (MM)	MIN. ORDER QTY	OUTER CARTON QTY	CODE
Galvanised	12 (300)	5	20	520 3001
Galvanised	18 (450)	5	20	520 4501
Galvanised	24 (600)	5	10	520 6001
Epoxy Black	12 (300)	5	20	520 3003
Epoxy Black	18 (450)	5	20	520 4503
Epoxy Black	24 (600)	5	10	520 6003
Premium Black	18 (450)	5	20	520 450B

GATEMATE® Heavy Locking Garage Door Bolt with 5/8" Shoot



FINISH	SIZE INS (MM)	MIN. ORDER QTY	OUTER CARTON QTY	CODE
Galvanised	18 (450)	1	5	517 4501
Stainless Steel*	18 (450)	1	-	517 4506

*Constructed from Grade 316 Stainless Steel

GATEMATE® Cane Bolt



FINISH	SIZE INS (MM)	MIN. ORDER QTY	OUTER CARTON QTY	CODE
BZP	12 (300)	5	30	602 0042
BZP	18 (450)	5	30	602 0032

GATEMATE® Monkey Tail Bolt with 5/8" Square Shoot

FINISH	SIZE INS (MM)	MIN. ORDER QTY	CODE
Galvanised	12 (300)	5	519 3001
Galvanised	18 (450)	5	519 4501
Epoxy Black	12 (300)	5	519 3003
Epoxy Black	18 (450)	5	519 4503



GATEMATE® Chain Bolt

FINISH	SIZE INS (MM)	CHAIN LENGTH (MM)	MIN. ORDER QTY	CODE
BZP	8 (200)	550	5	517 2002



GATEMATE® Bow Handle Bolts with 5/8" Square Shoot

- Heavy duty bolt for use with high doors and gates
- Ideal for large doors such as barns and large outbuildings
- Designed to be fitted in the vertical position, the bow handle bolt is versatile and can be fitted to shoot down into a floor mounted plate, or up into the door frame
- Galvanised for greater rust protection

FINISH	SIZE INS (MM)	MIN. ORDER QTY	CODE
Galvanised	18 (450)	5	576 4501



GATEMATE®
BY BIRKDALE

- ✓ Premium quality
- ✓ Pre packed
- ✓ Fixings included

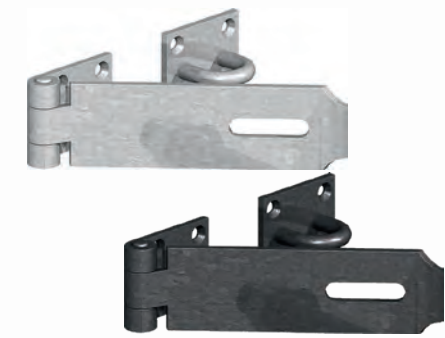


GATEMATE® HASP & STAPLES



GATEMATE® Safety Pattern Hasp & Staple

FINISH	SIZE INS (MM)	MIN. ORDER QTY	CODE
BZP	3 (75)	5	533 0752
BZP	4 (100)	5	533 1002
BZP	6 (150)	5	533 1502
Epoxy Black	4 (100)	5	533 1003
Epoxy Black	6 (150)	5	533 1503



GATEMATE® Heavy Safety Pattern Hasp & Staple

FINISH	SIZE INS (MM)	MIN. ORDER QTY	CODE
Galvanised	7 (180)	5	538 1801
Epoxy Black	7 (180)	5	538 1803



GATEMATE® Heavy Vertical Pattern Hasp & Staple

Features brass pins for added corrosion resistance

FINISH	SIZE INS (MM)	MIN. ORDER QTY	CODE
Galvanised	6 (150)	5	534 1501
Epoxy Black	6 (150)	5	534 1503



GATEMATE® Heavy Hasp & Staple

Features brass pins for added corrosion resistance

FINISH	SIZE INS (MM)	MIN. ORDER QTY	CODE
Galvanised	8 (200)	5	535 2001
Galvanised	10 (250)	5	535 2501
Epoxy Black	8 (200)	5	535 2003
Epoxy Black	10 (250)	5	535 2503

GATEMATE® SIGNS & REFLECTORS

GATEMATE® 'Please Shut The Gate' Sign

FINISH	SIZE (MM)	MIN. ORDER QTY	CODE
Brass	160 x 55	5	544 0005
Chrome	160 x 55	5	544 000C



GATEMATE® 'Beware Of The Dog' Sign

FINISH	SIZE (MM)	MIN. ORDER QTY	CODE
Brass	160 x 55	5	544 0015
Chrome	160 x 55	5	544 001C



GATEMATE® High Visibility Reflectors

FINISH	SIZE (MM)	UNIT QTY	MIN. ORDER QTY	CODE
Red	110 x 45	Pack of 2	5	859 110R
White	110 x 45	Pack of 2	5	859 110W

High Durability - UV stabilized



DuraPost®
BY BIRKDALE

VENTO PANELS
FUSS FREE FENCING

A classic design reimaged

Quality Guaranteed - Introducing the new composite fencing solution, by DuraPost. With innovation at the core of our brand, we introduce DuraPost's new composite solution – the 'Vento'.

COLOURS



PAGE
251



GATEMATE® PREMIUM FINISH RANGE

Stainless Steel

Stainless steel is an iron alloy with high levels of chromium; giving it an external layer that is virtually rust free. Our premium range products are made from marine grade 316 stainless steel – ideal for coastal and other high-moisture environments.

See page 034 for table of loading applications for hinges.

ALL OUR
STAINLESS STEEL
PRODUCTS ARE
316 MARINE
GRADE

GATEMATE® Weighty Scotch Tee Hinges



FINISH	SIZE INS (MM)	UNIT QTY	LOAD APPL.	MIN. ORDER QTY	OUTER CARTON QTY	CODE
Stainless Steel	12 (300)	1 Pair	C	1 Pair	5 Pairs	505 3006
Material thickness 3mm						

GATEMATE® Straight Band & Hook on Plate



FINISH	SIZE INS (MM)	UNIT QTY	LOAD APPL.	MIN. ORDER QTY	OUTER CARTON QTY	CODE
Stainless Steel	18 (450)	1 Pair	C	1 Pair	5 Pairs	506 4506

GATEMATE® Cranked Band & Hook on Plate



FINISH	SIZE INS (MM)	UNIT QTY	LOAD APPL.	MIN. ORDER QTY	CODE
Stainless Steel	18 (450)	1 Pair	C	1 Pair	507 4506
Stainless Steel	24 (600)	1 Pair	C	1 Pair	507 6006

GATEMATE® Adjustable Band & Hook on Plate



FINISH	SIZE INS (MM)	UNIT QTY	LOAD APPL.	MIN. ORDER QTY	CODE
Stainless Steel	18 (450)	1 Pair	C	1 Pair	508 4506
Stainless Steel	24 (600)	1 Pair	C	1 Pair	508 6006
Stainless Steel	36 (900)	1 Pair	D	1 Pair	508 9006

GATEMATE® Grade 11 Stainless Steel Ball Bearing Butt Hinge

- For indoor use on timber doors
- High quality smooth ball bearing action
- Includes stainless steel screws
- Constructed from Grade 316 stainless steel

FINISH	SIZE INS (MM)	UNIT QTY	LOAD APPL.	MIN. ORDER QTY	CODE
Brushed Stainless Steel	3 x 2 (75 x 50)	1 Pair	A	1 Pair	027 0756B



GATEMATE® Grade 13 Stainless Steel Ball Bearing Butt Hinge

- Certified CE13 BSN1935
- Includes stainless steel screws
- CERTIFIRE approved product
- Quality and performance BSEN1935
- Fire safety BSEN1634 - for use on 30 minute and 1 hour fire doors
- Constructed from Grade 316 stainless steel

FINISH	SIZE INS (MM)	UNIT QTY	LOAD APPL.	MIN. ORDER QTY	INNER CARTON QTY	OUTER CARTON QTY	CODE
Brushed Stainless Steel	4 x 3 (102 x 76)	1 Pair	A	1 Pack	1 Pack	40 Packs	027 1006B
Brushed Stainless Steel	4 x 3 (102 x 76)	1.5 Pairs	A	1 Pack	3 Packs	25 Packs	027 1016B
Polished Stainless Steel	4 x 3 (102 x 76)	1.5 Pairs	A	1 Pack	3 Packs	25 Packs	027 1016P



GATEMATE® Heavy Gothic Suffolk Latch

FINISH	THUMB LENGTH INS (MM)	MIN. ORDER QTY	CODE
Stainless Steel	4½ (115)	1	523 0036



GATEMATE® Ring Gate Latch

FINISH	SIZE INS (MM)	MIN. ORDER QTY	CODE
Stainless Steel	6 (150)	1	525 1506



GATEMATE® Cast Pattern Cabin Hooks



FINISH	SIZE INS (MM)	MIN. ORDER QTY	CODE
Stainless Steel	4 (100)	5	541 1006

GATEMATE® Brenton Padbolt



FINISH	SIZE INS (MM)	SHOOT GAUGE INS (MM)	MIN. ORDER QTY	CODE
Stainless Steel	6 (150)	½ (12)	1	512 1506
Stainless Steel	8 (200)	¾ (16)	1	513 2006

GATEMATE® Heavy Locking Garage Door Bolt with 5/8" Shoot



FINISH	SIZE INS (MM)	MIN. ORDER QTY	CODE
Stainless Steel	18 (450)	1	517 4506

Premium Black

A 'hot-dip' galvanised finish with a black polyester powder coating on top. This double layer results in a high level of corrosion resistance.

See page 034 for table of loading applications for hinges.

GATEMATE® Strong Tee Hinges



FINISH	SIZE INS (MM)	UNIT QTY	LOAD APPL.	MIN. ORDER QTY	CODE
Premium Black	18 (450)	1 Pair	C	5 Pairs	503 450B
Premium Black	24 (600)	1 Pair	C	5 Pairs	503 600B

GATEMATE® Cranked Band & Hook on Plate

FINISH	SIZE INS (MM)	UNIT QTY	LOAD APPL.	MIN. ORDER QTY	CODE
Premium Black	18 (450)	1 Pair	C	5 Pairs	507 450B
Premium Black	24 (600)	1 Pair	C	2 Pairs	507 600B
Premium Black	30 (750)	1 Pair	D	2 Pairs	507 750B
Premium Black	36 (900)	1 Pair	D	2 Pairs	507 900B



GATEMATE® Adjustable Band & Hook on Plate

FINISH	SIZE INS (MM)	UNIT QTY	LOAD APPL.	MIN. ORDER QTY	CODE
Premium Black	18 (450)	1 Pair	C	5 Pairs	508 450B
Premium Black	24 (600)	1 Pair	C	2 Pairs	508 600B
Premium Black	30 (750)	1 Pair	D	2 Pairs	508 750B
Premium Black	36 (900)	1 Pair	D	1 Pair	508 900B



GATEMATE® Heavy Reversible Hinges

FINISH	SIZE INS (MM)	UNIT QTY	LOAD APPL.	MIN. ORDER QTY	CODE
Premium Black	18 (450)	1 Pair	C	5 Pairs	509 450B
Premium Black	24 (600)	1 Pair	C	2 Pairs	509 600B
Premium Black	36 (900)	1 Pair	D	1 Pair	509 900B



GATEMATE® Cranked Curved Rail Hinges Kit

FINISH	SIZE INS (MM)	DESC	LOAD APPL.	MIN. ORDER QTY	CODE
Premium Black	12 (300)	Left Handed	C	5	598 000B
Premium Black	12 (300)	Right Handed	C	5	598 001B



Left Hand Illustrated

GATEMATE® Field Gate Double Strap Hinge Set



FINISH	SIZE INS (MM)	SUITABLE FOR	LOAD APPL.	MIN. ORDER QTY	OUTER CARTON QTY	CODE
Premium Black	24 (600)	3" gates	D	1	4	030 600B

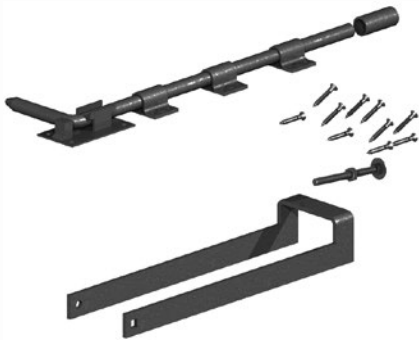
GATEMATE® Field Gate Adjustable Double Strap Hinge Set

Full adjustability allows installer to easily fit and adjust gates to compensate for gate drop over time



FINISH	SIZE INS (MM)	SUITABLE FOR	LOAD APPL.	MIN. ORDER QTY	OUTER CARTON QTY	CODE
Premium Black	24 (600)	3" gates	D	1	4	032 600B

GATEMATE® Double Field Gate Fastener Set with 18" Garage Door Bolt



FINISH	SUITABLE FOR	MIN. ORDER QTY	OUTER CARTON QTY	CODE
Premium Black	3" gates	1	10	038 000B

GATEMATE® Field Gate Spring Fastener Set with Staple Catch



FINISH	SIZE INS (MM)	SUITABLE FOR	MIN. ORDER QTY	OUTER CARTON QTY	CODE
Premium Black	18 (450)	3" gates	1	10	036 000B

GATEMATE® Heavy Suffolk Latch Set

FINISH	MIN. ORDER QTY	CODE
Premium Black	5	523 002B



GATEMATE® Ring Gate Latch

FINISH	SIZE INS (MM)	MIN. ORDER QTY	CODE
Premium Black	5 (125)	5	525 125B
Premium Black	6 (150)	5	525 150B



GATEMATE® Cast Pattern Cabin Hook

FINISH	SIZE INS (MM)	MIN. ORDER QTY	CODE
Premium Black	8 (200)	5	541 200B



GATEMATE® Brenton Padbolt

FINISH	SIZE INS (MM)	MIN. ORDER QTY	CODE
Premium Black	6 x 1/2 (150 x 12)	5	512 150B
Premium Black	8 x 1/2 (200 x 12)	5	512 200B



GATEMATE® Garage Door Bolt with 5/8" Shoot

FINISH	SIZE INS (MM)	MIN. ORDER QTY	OUTER CARTON QTY	CODE
Premium Black	18 (450)	5	20	520 450B



GATEMATE® ORNAMENTAL RANGE

GATEMATE® Ornamental Straight Band & Hook on Plate



FINISH	SIZE INS (MM)	UNIT QTY	LOAD APPL.	MIN. ORDER QTY	CODE
Dull Black	18 (450)	1 Pair	C	1 Pair	563 4503

GATEMATE® Ornamental Tee Hinges



FINISH	SIZE INS (MM)	UNIT QTY	LOAD APPL.	MIN. ORDER QTY	CODE
Dull Black	6 (150)	1 Pair	A	5 Pairs	550 1503
Dull Black	9 (225)	1 Pair	A	5 Pairs	550 2253
Dull Black	12 (300)	1 Pair	A	5 Pairs	550 3003

GATEMATE® Ornamental Heavy Duty Tee Hinges



FINISH	SIZE INS (MM)	UNIT QTY	LOAD APPL.	MIN. ORDER QTY	CODE
Dull Black	12 (300)	1 Pair	B	5 Pairs	574 3003
Dull Black	14 (350)	1 Pair	B	5 Pairs	574 3503
Dull Black	16 (400)	1 Pair	B	5 Pairs	574 4003
Dull Black	18 (450)	1 Pair	B	5 Pairs	574 4503

GATEMATE® Ornamental Fleur De Lys Tee Hinges



FINISH	SIZE INS (MM)	UNIT QTY	LOAD APPL.	MIN. ORDER QTY	CODE
Dull Black	12 (300)	1 Pair	B	5 Pairs	551 3003

GATEMATE® Ornamental Butterfly Hinges



FINISH	SIZE INS (MM)	UNIT QTY	LOAD APPL.	MIN. ORDER QTY	CODE
Dull Black	2¾ x 2 (70 x 50)	1 Pair	A	5 Pairs	552 7053

GATEMATE® Ornamental Unequal Hinges

FINISH	SIZE INS (MM)	UNIT QTY	LOAD APPL.	MIN. ORDER QTY	CODE
Dull Black	4 x 3 (100 x 75)	1 Pair	A	5 Pairs	553 1003



GATEMATE® Ornamental Suffolk Latch

FINISH	SIZE INS (MM)	MIN. ORDER QTY	CODE
Dull Black	6 (150)	5	564 1503



GATEMATE® Ornamental Ring Gate Latch

FINISH	SIZE INS (MM)	MIN. ORDER QTY	CODE
Dull Black	8 (200)	5	561 2003
Dull Black	10 (250)	5	561 2503
Galvanised	8 (200)	5	561 2001
Galvanised	10 (250)	5	561 2501



GATEMATE® Ornamental Cast Pattern Cabin Hooks

FINISH	SIZE INS (MM)	MIN. ORDER QTY	CODE
Dull Black	6 (150)	5	559 1503



GATEMATE® Ornamental Heavy Duty Drop Bolts



FINISH	SIZE INS (MM)*	MIN. ORDER QTY	OUTER CARTON QTY	CODE
Galvanised	24 x 5/8 (600 x 16)	1	5	518 6001
Epoxy Black	24 x 5/8 (600 x 16)	1	5	518 6003

*Shoot length x diameter

GATEMATE® Ornamental Straight Door Bolts



FINISH	SIZE INS (MM)	MIN. ORDER QTY	CODE
Dull Black	6 (150)	5	557 1503

GATEMATE® Ornamental Fleur De Lys Pull Handle



FINISH	SIZE INS (MM)	MIN. ORDER QTY	CODE
Dull Black	7 (175)	5	560 1753

GATEMATE® Ornamental Lever Lock Handles



FINISH	SIZE INS (MM)	SPINDLE LENGTH INS (MM)	UNIT QTY	MIN. ORDER QTY	CODE
Dull Black	6 x 2 (150 x 50)	3 (75)	1 Pair	5 Pairs	555 1503

GATEMATE® Ornamental Fleur De Lys Lever Lock Handles



FINISH	SIZE INS (MM)	SPINDLE LENGTH INS (MM)	UNIT QTY	MIN. ORDER QTY	CODE
Dull Black	7 x 2 (175 x 50)	3 (75)	1 Pair	5 Pairs	556 1753

GATEMATE® Ornamental Cast Octagonal Door Knob

FINISH	SIZE INS (MM)	SPINDLE LENGTH INS (MM)	MIN. ORDER QTY	OUTER CARTON QTY	CODE
Dull Black	2 (50)	3 (75)	1	5	575 0503



GATEMATE® Ornamental Numerals

DESC	FINISH	SIZE INS (MM)	MIN. ORDER QTY	CODE
No. 0	Dull Black	3 (75)	5	570 0030
No. 1	Dull Black	3 (75)	5	570 0031
No. 2	Dull Black	3 (75)	5	570 0032
No. 3	Dull Black	3 (75)	5	570 0033
No. 4	Dull Black	3 (75)	5	570 0034
No. 5	Dull Black	3 (75)	5	570 0035
No. 6	Dull Black	3 (75)	5	570 0036
No. 7	Dull Black	3 (75)	5	570 0037
No. 8	Dull Black	3 (75)	5	570 0038
No. 9	Dull Black	3 (75)	5	570 0039



DuraPost®
BY BIRKDALE

URBAN SLATTED PANELS

CONTEMPORARY BACKDROP TO YOUR GARDEN

New architectural chic

An exciting new option for those looking for a more architectural style to define their space. DuraPost's new URBAN SLATTED PANELS bring a more contemporary look to garden boundaries.



COLOURS

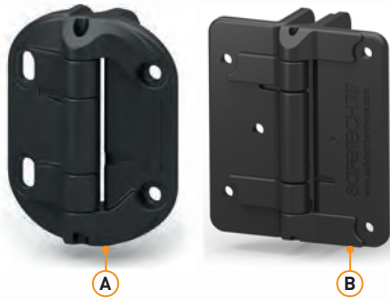


PAGE
252

GATEMATE® HIGH PERFORMANCE RANGE

Hinges

GATEMATE® Standard Unsprung Gate Hinges



FINISH	SIZE (MM)	SUITABLE FOR	UNIT QTY	MIN. ORDER QTY	CODE
Black Composite/ Polymer (A)	90 x 70	25-50mm posts	1 Pair	1 Pair	891 1F13
Black Composite/ Polymer (B)	110 x 75	40 - 75mm posts	1 Pair	1 Pair	891 1F23

GATEMATE® Self-Closing Fixed Spring Hinges with Legs



SELF
CLOSE
HINGE

FINISH	SIZE (MM)	SUITABLE FOR	UNIT QTY	MIN. ORDER QTY	CODE
Black Composite/ Polymer	110 x 75	40-75mm posts	1 Pair	1 Pair	893 1F23

GATEMATE® Adjustable Self-Closing Hinges with Legs



SELF
CLOSE
HINGE

FINISH	SIZE (MM)	UNIT QTY	MIN. ORDER QTY	CODE
Black Composite/Polymer (A)	108 x 63.5	1 Pair	1 Pair	894 1F23
Aluminium/Black (B)	146 x 89	1 Pair	1 Pair	892 1F43

Max closing weight 25kg

GATEMATE® Self-Closing Hinges without Legs



SELF
CLOSE
HINGE

FINISH	SIZE (MM)	UNIT QTY	MIN. ORDER QTY	CODE
Black Composite/Polymer	108 x 63.5	1 Pair	1 Pair	894 0V23

Max closing weight 25kg

GATEMATE® Self-Closing Offset Hinges with Legs

DESC	FINISH	SIZE (MM)	UNIT QTY	MIN. ORDER QTY	CODE
Hinge	Black Composite/Polymer	108 x 110	1 Pair	1 Pair	894 1F83
Max closing weight 25kg					



SELF
CLOSE
HINGE

GATEMATE® Heavy Duty Self-Closing Hinges

DESC	FINISH	SIZE (MM)	UNIT QTY	MIN. ORDER QTY	CODE
Hinge (A)	Black Composite/ Polymer	125 x 90	1 Pair	1 Pair	894 1F53
Adjustable Hinge (B)	Black Composite/ Polymer	125 x 178	1 Pair	1 Pair	894 1A73
Ornamental Hinge (C)	Black Steel	200	1 Pair	1 Pair	895 0F53
Max closing weight 60kg					



SELF
CLOSE
HINGE

GATEMATE® Garage Door Bolt

FINISH	SIZE INS (MM)	MIN. ORDER QTY	CODE
Stainless Steel	18 (450)	1	896 1B83
Key lockable. Includes fixings			



Industry leading customer service

Built on years of experience, our knowledgeable team are more than happy to assist you.

T 0345 450 9000 E mail@birkdalesales.com



Latches

GATEMATE® Gravity Latch



BEST
SELLER ★

DESC	FINISH	KEYED ALIKE	LOCK TYPE	MIN. ORDER QTY	OUTER CARTON QTY	CODE
Gravity Latch	Black Polymer	No	Single Locking	1	5	896 1S53
Gravity Latch	Black Polymer	No	Double Locking	1	5	896 1D53
Gravity Latch	Black Polymer	Yes	Single Locking	1	5	896 1S53KA

GATEMATE® Gravity Latch - Zinc Alloy



FINISH	KEYED ALIKE	LOCK TYPE	MIN. ORDER QTY	OUTER CARTON QTY	CODE
Black	No	Single Locking	1	5	897 1S53

GATEMATE® Pro Gravity Latch



FINISH	KEYED ALIKE	LOCK TYPE	MIN. ORDER QTY	OUTER CARTON QTY	CODE
Black Polymer	No	Double Locking	1	5	896 1D73
Black Polymer	Yes	Double Locking	1	5	896 1D73KA

GATEMATE® Magnetic Side Pull



FINISH	MIN. ORDER QTY	OUTER CARTON QTY	CODE
Black Polymer	1	5	898 0S13

GATEMATE® METAL GATES

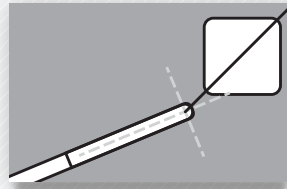
GATEMATE® Easi-Fit Adjustable Gate Post System

GATEMATE®
BY BIRKDALE

EASI-FIT ADJUSTABLE GATE POST SYSTEM

With unique anti-finger trap technology

- 3D adjustable pivot hinges available to prevent finger trapping - no other hinge system on the market has this benefit
- Height adjustable even after installation
- Unique high-load fixings; no need for welding, drilling or threading
- Patent Pending technology



Positioning the gate so the edge is on the corner of the post ensures the gap between the two remains consistent; removing the danger of finger trapping, bringing you in line with legislation.



GATEMATE® Easi-Fit Adjustable Gate Post System - Steel Post

FINISH	SIZE (MM)	MIN. ORDER QTY	CODE
Premium Black	2440 x 150 x 150	20	800 2443



GATEMATE® Easi-Fit Adjustable Gate Post System - Standard Hinge Set



FINISH	SIZE INS (MM)	PIN Ø (MM)	LOADING (KG)	MIN. ORDER QTY	CODE
Premium Black	12 (300)	19	200	1	801 0193

GATEMATE® Easi-Fit Adjustable Gate Post System - Top Pivot Hinge



FINISH	SIZE INS (MM)	DESC	LOADING (KG)	MIN. ORDER QTY	CODE
Premium Black	16 (400)	Right Hand	250	1	801 4003
Premium Black	16 (400)	Left Hand	250	1	801 4013

GATEMATE® Easi-Fit Adjustable Gate Post System - Bottom Pivot Hinge



FINISH	SIZE INS (MM)	DESC	LOADING (KG)	MIN. ORDER QTY	CODE
Premium Black	16 (400)	Right Hand	250	1	801 4023
Premium Black	16 (400)	Left Hand	250	1	801 4033

GATEMATE® Ascot Single Entrance Gate



TIP

Ensure to leave ground clearance of 50mm

FINISH	GATE SIZE H X W (MM)	TO SUIT OPENING SIZE (MM)	MIN. ORDER QTY	OUTER CARTON QTY	CODE
Premium Black	910*x815	900-1000	1	4	802 1003
Premium Black	910*x740	820-920	1	4	802 9003

*Including ground clearance of 50mm. Gates supplied with adjustable gate fixing kit

GATEMATE® Windsor Bow Top Metal Gate



TIP

Ensure to leave ground clearance of 50mm

FINISH	GATE SIZE H X W (MM)	TO SUIT OPENING SIZE (MM)	MIN. ORDER QTY	CODE
Premium Black	1890*x815	900-1000	1	803 1003
Premium Black	1810*x740	820-920	1	803 9003

*Including ground clearance of 50mm. Gates supplied with adjustable gate fixing kit

GATEMATE® Metal Gate Fixing Kit

FINISH	MIN. ORDER QTY	OUTER CARTON QTY	CODE
Epoxy Black	5	20	599 0003

Includes: latch bar, 2 x hinge mounts, receiver plate and fixings to suit



GATEMATE® Metal Gate Fixing Kit with Adjustable Gate Eyes

FINISH	MIN. ORDER QTY	OUTER CARTON QTY	CODE
Epoxy Black	1	5	801 0003

Gate kit includes: 2 x adjustable gate eyes (4" x 1/2"), 2 x hinge mounts, padlockable latch assembly (padlock not included), receiving plate and fixings to suit



GATEMATE®
BY BIRKDALE

- ✓ Premium quality
- ✓ Pre packed
- ✓ Fixings included



GATEMATE® HANDRAIL BRACKETS



GATEMATE® Handrail Brackets

FINISH	DISTANCE FROM WALL INS (MM)	UNIT QTY	MIN. ORDER QTY	CODE
BZP	2½ (65)	Pack of 2	5	833 0652
White	2½ (65)	Pack of 2	5	833 0657

GATEMATE® CHAIN, WIRE & ROPE FITTINGS



GATEMATE® Straight Link Chain

FINISH	SIZE (MM)	LENGTH (M)	MIN. ORDER QTY	CODE
Galvanised	3 x 21	2	5	578 0031
Galvanised	4 x 26	2	5	578 0041
Galvanised	5 x 28	2	5	578 0051
Galvanised	6 x 42	2	5	578 0061

Size = thickness x inside of link
Not Tested



GATEMATE® Quick Repair Link

FINISH	SIZE (MM)	UNIT QTY	MIN. ORDER QTY	CODE
BZP	3	Pack of 2	5 Packs	591 0032
BZP	4	Pack of 2	5 Packs	591 0042
BZP	5	Pack of 2	5 Packs	591 0052
BZP	6	Pack of 2	5 Packs	591 0062
BZP	7	Pack of 1	5 Packs	591 0072
BZP	8	Pack of 1	5 Packs	591 0082
BZP	10	Pack of 1	5 Packs	591 0102



GATEMATE® Spring Hooks to Crue

FINISH	SIZE INS (MM)	UNIT QTY	MIN. ORDER QTY	CODE
BZP	2 (50)	Pack of 2	5 Packs	586 0502
BZP	3 (75)	Pack of 2	5 Packs	586 0752
BZP	3½ (88)	Pack of 2	5 Packs	586 0882
BZP	4 (100)	Pack of 2	5 Packs	586 1002

GATEMATE® Swivel Harness Snap Hooks

FINISH	SIZE INS (MM)	MIN. ORDER QTY	CODE
Nickel Plated	3 x ¾ (76 x 19)	5 Packs	588 0760



GATEMATE® Swivel Spring Hooks

FINISH	SIZE INS (MM)	UNIT QTY	MIN. ORDER QTY	CODE
BZP	2 (50)	Pack of 2	5	589 0502
BZP	3 (75)	Pack of 2	5	589 0752
BZP	4 (100)	Pack of 1	5	589 1002



GATEMATE® Carbine Hooks

FINISH	SIZE (MM)	UNIT QTY	MIN. ORDER QTY	CODE
BZP	5 x 50	Pack of 2	5	587 5052
BZP	6 x 60	Pack of 2	5	587 6062
BZP	7 x 70	Pack of 2	5	587 7072
BZP	8 x 80	Pack of 2	5	587 8082
BZP	10 x 100	Pack of 2	5	587 1002
BZP	11 x 120	Pack of 2	5	587 1212



GATEMATE® Dee Shackles

FINISH	GAUGE/DIAMETER	UNIT QTY	MIN. ORDER QTY	CODE
BZP	6mm	Pack of 4	5	594 0062
BZP	8mm	Pack of 2	5	594 0082
BZP	10mm	Pack of 2	5	594 0102
BZP	12mm	Pack of 2	5	594 0122
BZP	16mm	Pack of 2	5	594 0162



GATEMATE® Ring on Heavy Duty Plate

FINISH	PLATE SIZE INS (MM)	MIN. ORDER QTY	CODE
Galvanised	4 x 2 (100 x 50)	5	546 1501



GATEMATE® Ring on Plate



FINISH	PLATE SIZE INS (MM)	MIN. ORDER QTY	OUTER CARTON QTY	CODE
Galvanised	2 x 2 (50 x 50)	5	40	584 0501

GATEMATE® Hooks on Plate



FINISH	PLATE SIZE INS (MM)	UNIT QTY	MIN. ORDER QTY	CODE
Galvanised	2 x 2 (50 x 50)	Pack of 2	5 Packs	582 0501

GATEMATE® Staples on Plate



FINISH	PLATE SIZE INS (MM)	UNIT QTY	MIN. ORDER QTY	OUTER CARTON QTY	CODE
Galvanised	2 x 2 (50 x 50)	Pack of 2	5 Packs	40 Packs	583 0501

GATEMATE® Bucket Clip on Plate



FINISH	PLATE SIZE INS (MM)	MIN. ORDER QTY	CODE
Galvanised	2 x 2 (50 x 50)	5	584 0001

GATEMATE® Manger Ring on Eyebolt



FINISH	SIZE INS (MM)	MIN. ORDER QTY	CODE
BZP	3 x 8 (75 x 200)	5	585 0752

GATEMATE® Tying Wire - ½kg Coil

FINISH	GAUGE (MM)	MIN. ORDER QTY	CODE
Galvanised	1.6	5	542 0011
Green PVC	2/1.4	5	542 0029



GATEMATE® Wire Rope Grips

FINISH	GAUGE (MM)	UNIT QTY	MIN. ORDER QTY	CODE
BZP	3	Pack of 4	5 Packs	593 0032
BZP	5	Pack of 4	5 Packs	593 0052
BZP	6	Pack of 4	5 Packs	593 0062
BZP	8	Pack of 2	5 Packs	593 0082
BZP	10	Pack of 2	5 Packs	593 0102
BZP	12	Pack of 2	5 Packs	593 0122



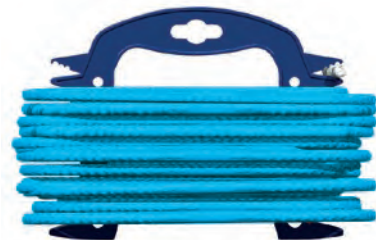
GATEMATE® Barrel Strainers

FINISH	SIZE INS (MM)	UNIT QTY	MIN. ORDER QTY	CODE
BZP	¼ (6)	Pack of 2	5 Packs	590 0062
BZP	⅝ (8)	Pack of 2	5 Packs	590 0082
BZP	¾ (10)	Pack of 2	5 Packs	590 0102
BZP	½ (12)	Pack of 2	5 Packs	590 0122




GATEMATE® Polypropylene Rope on Winder

FINISH	LENGTH (M)	GAUGE (MM)	MIN. ORDER QTY	CODE
Blue	15	8	5	579 1480
Blue	20	6	5	579 2160




GATEMATE® FENCING ACCESSORIES

GATEMATE® Rabbit Netting Pegs



FINISH	SIZE INS (MM)	UNIT QTY	MIN. ORDER QTY	CODE
Galvanised	12 (300)	Pack of 5	5 Packs	830 3001

GATEMATE® Panel Fixing Clips




FINISH	SIZE (MM)	UNIT QTY	MIN. ORDER QTY	CODE
Pre-Galvanised	45 x 50	Pack of 4	5 Packs	832 0457

GATEMATE® Balustrade Brackets



FINISH	SIZE (MM)	UNIT QTY	MIN. ORDER QTY	CODE
BZP/YP	40 x 40 x 30	Pack of 10	5 Packs	832 0302

GATEMATE® Corner Braces



FINISH	SIZE INS (MM)	UNIT QTY	MIN. ORDER QTY	CODE
BZP/YP	1 (25)	Pack of 10	5 Packs	531 0258
BZP/YP	1½ (38)	Pack of 10	5 Packs	531 0388
BZP/YP	2 (50)	Pack of 10	5 Packs	531 0508
BZP/YP	2½ (65)	Pack of 5	5 Packs	531 0658
BZP/YP	3 (75)	Pack of 5	5 Packs	531 0758
BZP/YP	4 (100)	Pack of 5	5 Packs	531 1008
BZP/YP	6 (150)	Pack of 5	5 Packs	531 1508

GATEMATE® Mending Plates



FINISH	SIZE INS (MM)	UNIT QTY	MIN. ORDER QTY	CODE
BZP/YP	3 (75)	Pack of 5	5 Packs	537 0758
BZP/YP	4 (100)	Pack of 5	5 Packs	537 1008
BZP/YP	5 (125)	Pack of 5	5 Packs	537 1258

GATE FURNITURE + ACCESSORIES

CAREFULLY SELECTED PREMIUM QUALITY GATE FURNITURE AND ACCESSORIES; LOOSE PACKED FOR BULK PURCHASING

076 Hinges

089 Latches, Catches, Hooks & Bolts

101 Locking Bars, Hasp & Staples

102 Locks & Security

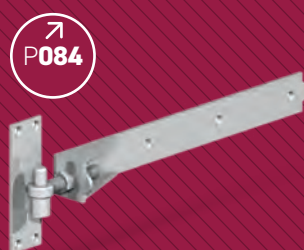
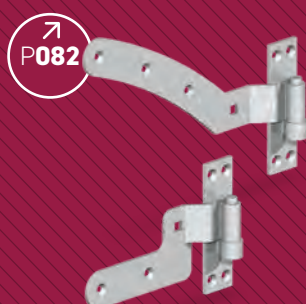
105 Other Gate Accessories

107 Field Gate Fittings

127 Gate Automation Accessories

128 Premium Finish Range

134 Ornamental Range



HINGES

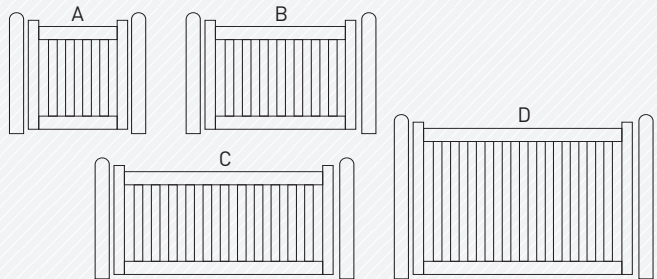
Tee & Strap Hinges

HINGE LOADING APPLICATION PER PAIR

When selecting hinges for your gate please ensure that you choose ones with the correct loading application.

This is only approximate hinge loading application as none of our hinges are tested.

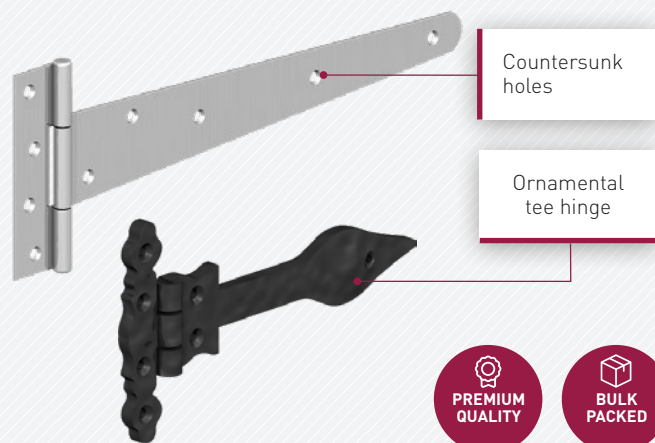
For heavier gates, an additional hinge can be added.



GATE TYPE	CLASS	WEIGHT	MAXIMUM WIDTH
A	SMALL GATES AND DOORS	UP TO 10KG	900MM
B	MEDIUM GATE	UP TO 20KG	1200MM
C	LARGE GATE	UP TO 50KG	1800MM
D	EXTRA LARGE GATE	UP TO 80KG	2400MM

TEE HINGES

- Suitable for a huge range of gates; with light, medium and heavy weights
- Available in stainless steel and premium black (epoxy black on galvanised steel) finishes
- Ornamental designs also available
- Loading Application: A - D



Light Tee Hinges



FINISH	SIZE INS (MM)	LOAD APPL.	UNIT QTY	MIN. ORDER QTY	OUTER CARTON QTY	CODE
BZP	4 (100)	A	1 Pair	10 Pairs	200 Pairs	001 1002
BZP	6 (150)	A	1 Pair	10 Pairs	150 Pairs	001 1502
BZP	8 (200)	A	1 Pair	10 Pairs	100 Pairs	001 2002
BZP	10 (250)	A	1 Pair	10 Pairs	80 Pairs	001 2502
BZP	12 (300)	A	1 Pair	10 Pairs	60 Pairs	001 3002
Epoxy Black	4 (100)	A	1 Pair	10 Pairs	200 Pairs	001 1003
Epoxy Black	6 (150)	A	1 Pair	10 Pairs	150 Pairs	001 1503
Epoxy Black	8 (200)	A	1 Pair	10 Pairs	100 Pairs	001 2003
Epoxy Black	10 (250)	A	1 Pair	10 Pairs	80 Pairs	001 2503
Epoxy Black	12 (300)	A	1 Pair	10 Pairs	60 Pairs	001 3003

Material thickness between 1.00 and 1.50mm

Medium Tee Hinges

FINISH	SIZE INS (MM)	LOAD APPL.	UNIT QTY	MIN. ORDER QTY	OUTER CARTON QTY	CODE
Galvanised	12 (300)	B	1 Pair	10 Pairs	60 Pairs	002 3001
Galvanised	14 (350)	B	1 Pair	10 Pairs	40 Pairs	002 3501
Galvanised	15 (375)	B	1 Pair	10 Pairs	40 Pairs	002 3751
Galvanised	16 (400)	B	1 Pair	10 Pairs	30 Pairs	002 4001
Galvanised	18 (450)	B	1 Pair	10 Pairs	20 Pairs	002 4501
Galvanised	24 (600)	B	1 Pair	5 Pairs	-	002 6001
BZP	10 (250)	B	1 Pair	10 Pairs	40 Pairs	002 2502
BZP	12 (300)	B	1 Pair	10 Pairs	60 Pairs	002 3002
BZP	14 (350)	B	1 Pair	10 Pairs	40 Pairs	002 3502
BZP	15 (375)	B	1 Pair	10 Pairs	40 Pairs	002 3752
BZP	16 (400)	B	1 Pair	10 Pairs	30 Pairs	002 4002
BZP	18 (450)	B	1 Pair	10 Pairs	20 Pairs	002 4502
BZP	24 (600)	B	1 Pair	5 Pairs	-	002 6002
Epoxy Black	10 (250)	B	1 Pair	10 Pairs	40 Pairs	002 2503
Epoxy Black	12 (300)	B	1 Pair	10 Pairs	60 Pairs	002 3003
Epoxy Black	14 (350)	B	1 Pair	10 Pairs	40 Pairs	002 3503
Epoxy Black	15 (375)	B	1 Pair	10 Pairs	40 Pairs	002 3753
Epoxy Black	16 (400)	B	1 Pair	10 Pairs	30 Pairs	002 4003
Epoxy Black	18 (450)	B	1 Pair	10 Pairs	20 Pairs	002 4503
Epoxy Black	24 (600)	B	1 Pair	5 Pairs	-	002 6003
Premium Black	18 (450)	B	1 Pair	1 Pair	10 Pairs	002 450B



★ BEST SELLER

★ BEST SELLER

Material thickness between 1.80 and 2.50mm

Heavy Tee Hinges

FINISH	SIZE INS (MM)	LOAD APPL.	UNIT QTY	MIN. ORDER QTY	CODE
BZP	4 (100)	C	1 Pair	10 Pairs	016 1002
BZP	12 (300)	C	1 Pair	10 Pairs	016 3002
BZP	15 (375)	C	1 Pair	10 Pairs	016 3752
BZP	18 (450)	C	1 Pair	10 Pairs	016 4502



DuraPost[®]
BY BIRKDALE

ALUMINIUM GATE KIT
VERSATILE DESIGN

**All the kit you need
to make an entrance**

Every project is different, which is why we've designed a gate that adjusts to any outside space. The DuraPost Aluminium Gate Kit combines privacy and security with flexibility.

COLOURS



PAGE
248



Strong Tee Hinges



FINISH	SIZE INS (MM)	LOAD APPL.	UNIT QTY	MIN. ORDER QTY	OUTER CARTON QTY	CODE
Galvanised	6 (150)	C	1 Pair	10 Pairs	30 Pairs	003 1501
Galvanised	10 (250)	C	1 Pair	10 Pairs	40 Pairs	003 2501
Galvanised	12 (300)	C	1 Pair	10 Pairs	40 Pairs	003 3001
Galvanised	14 (350)	C	1 Pair	10 Pairs	-	003 3501
Galvanised	16 (400)	C	1 Pair	10 Pairs	-	003 4001
Galvanised	18 (450)	C	1 Pair	10 Pairs	-	003 4501
Galvanised	20 (500)	C	1 Pair	10 Pairs	-	003 5001
Galvanised	24 (600)	C	1 Pair	5 Pairs	-	003 6001
BZP	6 (150)	C	1 Pair	10 Pairs	60 Pairs	003 1502
BZP	8 (200)	C	1 Pair	10 Pairs	40 Pairs	003 2002
BZP	10 (250)	C	1 Pair	10 Pairs	40 Pairs	003 2502
BZP	12 (300)	C	1 Pair	10 Pairs	40 Pairs	003 3002
Epoxy Black	6 (150)	C	1 Pair	10 Pairs	60 Pairs	003 1503
Epoxy Black	12 (300)	C	1 Pair	10 Pairs	40 Pairs	003 3003
Epoxy Black	14 (350)	C	1 Pair	10 Pairs	-	003 3503
Epoxy Black	16 (400)	C	1 Pair	10 Pairs	-	003 4003
Epoxy Black	18 (450)	C	1 Pair	10 Pairs	-	003 4503
Epoxy Black	20 (500)	C	1 Pair	10 Pairs	-	003 5003
Epoxy Black	24 (600)	C	1 Pair	5 Pairs	-	003 6003
Premium Black	18 (450)	C	1 Pair	1 Pair	-	003 450B
Premium Black	24 (600)	C	1 Pair	1 Pair	-	003 600B

Material thickness between 2.00 and 3.50mm

Weighty Scotch Tee Hinges



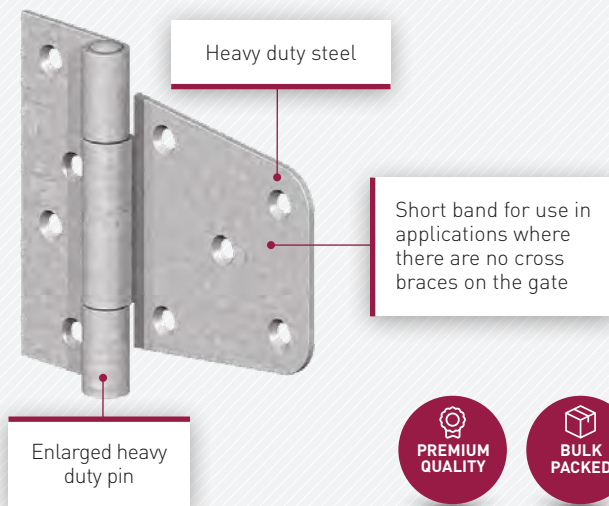
FINISH	SIZE INS (MM)	LOAD APPL.	UNIT QTY	MIN. ORDER QTY	OUTER CARTON QTY	CODE
Galvanised	4 (100)	C	1 Pair	5 Pairs	50 Pairs	004 1001
Galvanised	6 (150)	C	1 Pair	5 Pairs	40 Pairs	004 1501
Galvanised	8 (200)	C	1 Pair	5 Pairs	40 Pairs	004 2001
Galvanised	10 (250)	C	1 Pair	5 Pairs	20 Pairs	004 2501
Galvanised	12 (300)	C	1 Pair	5 Pairs	15 Pairs	004 3001
Galvanised	14 (350)	C	1 Pair	5 Pairs	-	004 3501
Galvanised	16 (400)	C	1 Pair	5 Pairs	-	004 4001
Galvanised	18 (450)	D	1 Pair	5 Pairs	-	004 4501
Galvanised	20 (500)	D	1 Pair	5 Pairs	-	004 5001
Galvanised	24 (600)	D	1 Pair	2 Pairs	-	004 6001
Stainless Steel*	12 (300)	D	1 Pair	1 Pair	10 Pairs	004 3006

Material thickness between 2.00 and 4.00mm

*Constructed from Grade 316 stainless steel

HEAVY DUTY OFFSET TEE HINGE

- The only offset tee hinge on the market!
- Provides increased strength over standard butt hinges
- Suitable for arched top and flat style continental gates where there are no cross braces



Heavy Duty Offset Tee Hinges

FINISH	SIZE INS (MM)	LOAD APPL.	UNIT QTY	MIN. ORDER QTY	OUTER CARTON QTY	CODE
Galvanised	3½ (89)	C	1 Pair	5 Pairs	30 Pairs	015 0011
BZP	3½ (89)	C	1 Pair	5 Pairs	30 Pairs	015 0012
Epoxy Black	3½ (89)	C	1 Pair	5 Pairs	30 Pairs	015 0013

Material thickness 2.5mm



Medium Strap Hinges

FINISH	SIZE INS (MM)	LOAD APPL.	UNIT QTY	MIN. ORDER QTY	OUTER CARTON QTY	CODE
Galvanised	12 (300)	B	1 Pair	5 Pairs	-	005 3001
BZP	6 (150)	B	1 Pair	5 Pairs	40 Pairs	005 1502
BZP	8 (200)	B	1 Pair	5 Pairs	20 Pairs	005 2002
BZP	10 (250)	B	1 Pair	5 Pairs	15 Pairs	005 2502
BZP	12 (300)	B	1 Pair	5 Pairs	-	005 3002



DuraPost
BY BIRKDALE

URBAN SLATTED PANELS

CONTEMPORARY BACKDROP TO YOUR GARDEN

New architectural chic

An exciting new option for those looking for a more architectural style to define their space. DuraPost's new URBAN SLATTED PANELS bring a more contemporary look to garden boundaries.

COLOURS



PAGE
252



Band & Hook Hinges

Straight Band & Hook on Plate



FINISH	SIZE INS (MM)	PIN/EYE Ø INS (MM)	LOAD APPL.	UNIT QTY	MIN. ORDER QTY	OUTER CARTON QTY	CODE
Galvanised	8 (200)	½ (12)	B	1 Pair	10 Pairs	20 Pairs	006 2001
Galvanised	10 (250)	½ (12)	B	1 Pair	5 Pairs	20 Pairs	006 2501
Galvanised	12 (300)	½ (12)	B	1 Pair	5 Pairs	20 Pairs	006 3001
Galvanised	14 (350)	½ (12)	B	1 Pair	5 Pairs	15 Pairs	006 3501
Galvanised	16 (400)	½ (12)	B	1 Pair	5 Pairs	10 Pairs	006 4001
Galvanised	18 (450)	⅝ (16)	C	1 Pair	5 Pairs	10 Pairs	006 4501
Galvanised	20 (500)	⅝ (16)	C	1 Pair	5 Pairs	10 Pairs	006 5001
Galvanised	24 (600)	⅝ (16)	C	1 Pair	2 Pairs	6 Pairs	006 6001
Galvanised	30 (750)	¾ (20)	D	1 Pair	2 Pairs	-	006 7501
Galvanised	36 (900)	¾ (20)	D	1 Pair	2 Pairs	-	006 9001
Galvanised	48 (1200)	¾ (20)	D	1 Pair	1 Pair	-	006 1201
Epoxy Black	12 (300)	½ (12)	B	1 Pair	5 Pairs	20 Pairs	006 3003
Epoxy Black	14 (350)	½ (12)	B	1 Pair	5 Pairs	15 Pairs	006 3503
Epoxy Black	16 (400)	½ (12)	B	1 Pair	5 Pairs	10 Pairs	006 4003
Epoxy Black	18 (450)	⅝ (16)	C	1 Pair	5 Pairs	10 Pairs	006 4503
Epoxy Black	24 (600)	⅝ (16)	C	1 Pair	2 Pairs	6 Pairs	006 6003
Epoxy Black	30 (750)	¾ (20)	D	1 Pair	2 Pairs	-	006 7503
Epoxy Black	36 (900)	¾ (20)	D	1 Pair	2 Pairs	-	006 9003
Stainless Steel*	18 (450)	⅝ (16)	C	1 Pair	1 Pair	5 Pairs	006 4506

*Constructed from Grade 316 stainless steel

DuraPost®
BY BIRKDALE

VENTO PANELS
FUSS FREE FENCING

A classic design reimaged

Quality Guaranteed - Introducing the new composite fencing solution, by DuraPost. With innovation at the core of our brand, we introduce DuraPost's new composite solution - the 'Vento'.

COLOURS



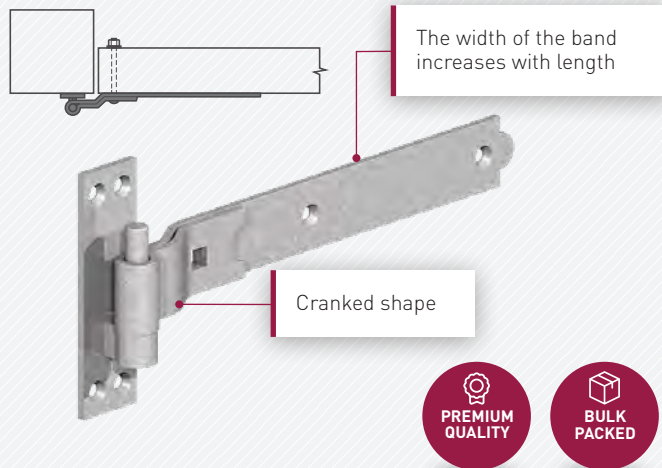
PAGE
251



CRANKED BAND & HOOK ON PLATE

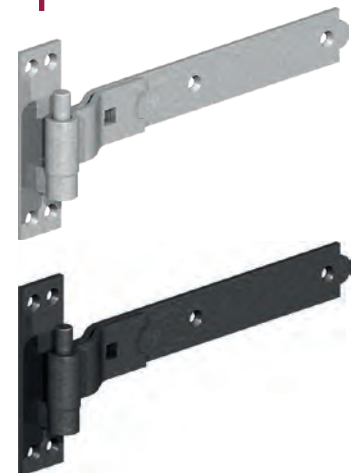
Designed for installations where the gate is flush with the front of the post.

- Available in a range of sizes and finishes including stainless steel and premium black (epoxy black on galvanised steel) finishes
- Suitable for wooden gates
- Loading Application B - D; see page 76



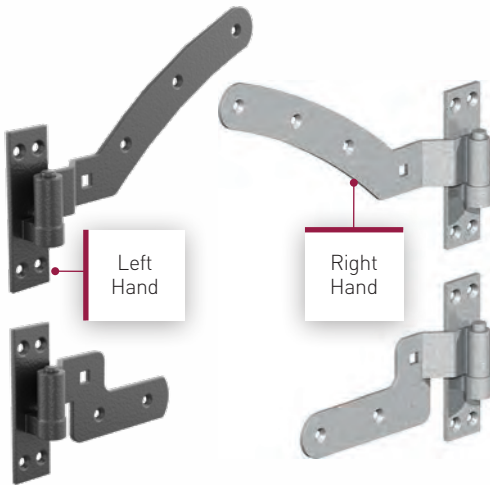
Cranked Band & Hook on Plate

FINISH	SIZE INS (MM)	PIN/EYE Ø INS (MM)	LOAD APPL.	UNIT QTY	MIN. ORDER QTY	OUTER CARTON QTY	CODE
Galvanised	10 (250)	½ (12)	B	1 Pair	10 Pairs	20 Pairs	007 2501
Galvanised	12 (300)	½ (12)	B	1 Pair	5 Pairs	20 Pairs	007 3001
Galvanised	14 (350)	½ (12)	B	1 Pair	5 Pairs	15 Pairs	007 3501
Galvanised	16 (400)	½ (12)	B	1 Pair	5 Pairs	10 Pairs	007 4001
Galvanised	18 (450)	⅝ (16)	C	1 Pair	5 Pairs	10 Pairs	007 4501
Galvanised	20 (500)	⅝ (16)	C	1 Pair	5 Pairs	10 Pairs	007 5001
Galvanised	24 (600)	⅝ (16)	C	1 Pair	2 Pairs	6 Pairs	007 6001
Galvanised	30 (750)	¾ (20)	D	1 Pair	2 Pairs	-	007 7501
Galvanised	36 (900)	¾ (20)	D	1 Pair	2 Pairs	-	007 9001
Galvanised	42 (1050)	¾ (20)	D	1 Pair	1 Pair	-	007 1051
Galvanised	48 (1200)	¾ (20)	D	1 Pair	1 Pair	-	007 1201
Epoxy Black	12 (300)	½ (12)	B	1 Pair	5 Pairs	20 Pairs	007 3003
Epoxy Black	14 (350)	½ (12)	B	1 Pair	5 Pairs	15 Pairs	007 3503
Epoxy Black	16 (400)	½ (12)	B	1 Pair	5 Pairs	10 Pairs	007 4003
Epoxy Black	18 (450)	⅝ (16)	C	1 Pair	5 Pairs	10 Pairs	007 4503
Epoxy Black	20 (500)	⅝ (16)	C	1 Pair	5 Pairs	10 Pairs	007 5003
Epoxy Black	24 (600)	⅝ (16)	C	1 Pair	2 Pairs	6 Pairs	007 6003
Epoxy Black	30 (750)	¾ (20)	D	1 Pair	2 Pairs	-	007 7503
Epoxy Black	36 (900)	¾ (20)	D	1 Pair	2 Pairs	-	007 9003
Epoxy Black	48 (1200)	¾ (20)	D	1 Pair	1 Pair	-	007 1203
Premium Black	18 (450)	⅝ (16)	C	1 Pair	1 Pair	5 Pairs	007 450B
Premium Black	24 (600)	⅝ (16)	C	1 Pair	1 Pair	2 Pairs	007 600B
Premium Black	30 (750)	¾ (20)	D	1 Pair	1 Pair	2 Pairs	007 750B
Premium Black	36 (900)	¾ (20)	D	1 Pair	1 Pair	2 Pairs	007 900B
Stainless Steel*	18 (450)	⅝ (16)	C	1 Pair	1 Pair	5 Pairs	007 4506
Stainless Steel*	24 (600)	⅝ (16)	C	1 Pair	1 Pair	2 Pairs	007 6006



*Constructed from Grade 316 stainless steel

Cranked Curved Rail Hinge Set



FINISH	SIZE INS (MM)	DESC	LOAD APPL.	UNIT QTY	MIN. ORDER QTY	CODE
Galvanised	12 (300)	Left Handed	B	1 Pair	5 Pairs	026 0001
Galvanised	12 (300)	Right Handed	B	1 Pair	5 Pairs	026 0011
Premium Black	12 (300)	Left Handed	B	1 Pair	1 Pair	026 000B
Premium Black	12 (300)	Right Handed	B	1 Pair	1 Pair	026 001B

Estate Pattern Bands



FINISH	SIZE INS (MM)	EYE Ø INS (MM)	UNIT QTY	MIN. ORDER QTY	CODE
Galvanised	18 (450)	¾ (19)	1 Pair	5 Pairs	009 4501
Galvanised	20 (500)	¾ (19)	1 Pair	5 Pairs	009 5001
Galvanised	24 (600)	¾ (19)	1 Pair	2 Pairs	009 6001

Gate Hanger to Bolt

¾" AVAILABLE FOR FIELD GATES - SEE PAGE 111



FINISH	SUITABLE FOR	PIN Ø INS (MM)	UNIT QTY	MIN. ORDER QTY	OUTER CARTON QTY	CODE
Galvanised	3 - 8" posts	½ (12)	1 Pair	5 Pairs	30 Pairs	012 1121
Galvanised	3 - 8" posts	⅝ (16)	1 Pair	5 Pairs	15 Pairs	012 1161

Hook on Plate

¾" AVAILABLE FOR FIELD GATES - SEE PAGE 110



FINISH	SIZE INS (MM)	PIN Ø INS (MM)	MIN. ORDER QTY	INNER CARTON QTY	OUTER CARTON QTY	CODE
Galvanised	2¾ (70)	½ (12)	1	10	50	086 0701
Galvanised	4 (100)	⅝ (16)	1	10	20	086 1001

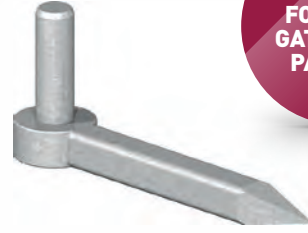
Hook on Plate to suit Straight & Cranked Bands



FINISH	SUITABLE FOR	PIN Ø INS (MM)	UNIT QTY	MIN. ORDER QTY	CODE
Galvanised	8 - 16" bands	½ (13)	1 Pair	10 Pairs	010 0121
Galvanised	18 - 20" bands	⅝ (16)	1 Pair	5 Pairs	010 1161
Galvanised	24" bands	⅝ (16)	1 Pair	5 Pairs	010 2161
Galvanised	30 - 36" bands	¾ (19)	1 Pair	5 Pairs	010 3201
Galvanised	42 - 48" bands	¾ (19)	1 Pair	5 Pairs	010 4201
Epoxy Black	8 - 16" bands	½ (13)	1 Pair	5 Pairs	010 0123

Gate Hooks to Drive

FINISH	SIZE INS (MM)	PIN Ø INS (MM)	UNIT QTY	MIN. ORDER QTY	INNER CARTON QTY	OUTER CARTON QTY	CODE
Galvanised	5 (125)	½ (12)	1 Pair	1 Pair	10 Pairs	50 Pairs	013 5121
Galvanised	6 (150)	⅝ (16)	1 Pair	1 Pair	10 Pairs	10 Pairs	013 6161



¾" AVAILABLE FOR FIELD GATES - SEE PAGE 112

GATE FURNITURE & ACCESSORIES

HAVE YOU SEEN OUR LATEST RANGES?

GATEMATE®
BY BIRKDALE

PAGE 013

FENCEMATE®
BY BIRKDALE

PAGE 139

DuraPost®
BY BIRKDALE

PAGE 239

SITEMATE®
BY BIRKDALE

PAGE 185

We're always open at www.birkdalesales.com

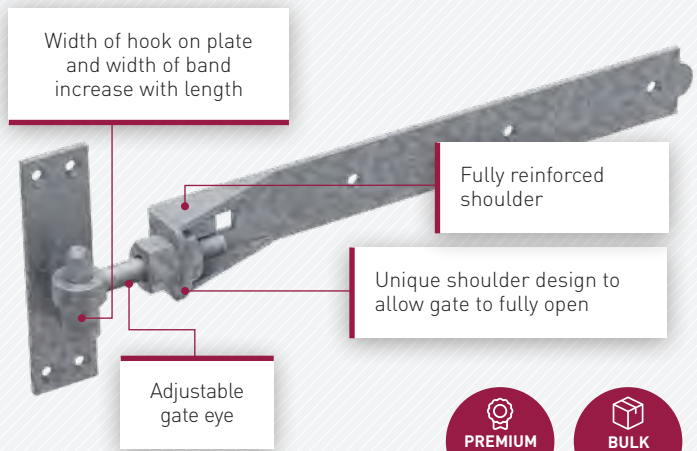
T 0345 450 9000 **F** 0345 450 9085 **E** mail@birkdalesales.com

Adjustable Band & Hook Hinges

ADJUSTABLE BAND & HOOKS ON PLATES

These heavy duty, robust hinges provide full adjustability; allowing the installer to align gates both during fitting and afterwards to compensate for gate drop over time. Ideal for use on high-use/heavy gates and external doors.

- Easy to fit and adjust
- Available in a range of sizes and finishes including stainless steel and premium black (epoxy black on galvanised steel) finishes
- Wide range of sizes
- Loading Application B - D; see page 76



Adjustable Band & Hook on Plate

These robust hinges provide full adjustability, allowing the installer to both align gates during fitting and also adjust after fitting to compensate for gate drop over time



FINISH	SIZE INS (MM)	PIN/EYE Ø INS (MM)	LOAD APPL.	UNIT QTY	MIN. ORDER QTY	CODE
Galvanised	14 (350)	5/8 (16)	B	1 Pair	5 Pairs	008 3501
Galvanised	18 (450)	5/8 (16)	C	1 Pair	5 Pairs	008 4501
Galvanised	24 (600)	3/4 (20)	C	1 Pair	2 Pairs	008 6001
Galvanised	30 (750)	3/4 (20)	D	1 Pair	1 Pair	008 7501
Galvanised	36 (900)	3/4 (20)	D	1 Pair	1 Pair	008 9001
Galvanised	48 (1200)	3/4 (20)	D	1 Pair	1 Pair	008 1201
Epoxy Black	18 (450)	5/8 (16)	C	1 Pair	5 Pairs	008 4503
Epoxy Black	24 (600)	3/4 (20)	C	1 Pair	2 Pairs	008 6003
Epoxy Black	30 (750)	3/4 (20)	D	1 Pair	1 Pair	008 7503
Epoxy Black	36 (900)	3/4 (20)	D	1 Pair	1 Pair	008 9003
Epoxy Black	48 (1200)	3/4 (20)	D	1 Pair	1 Pair	008 1203
Premium Black	18 (450)	5/8 (16)	C	1 Pair	1 Pair	008 450B
Premium Black	24 (600)	3/4 (20)	C	1 Pair	1 Pair	008 600B
Premium Black	30 (750)	3/4 (20)	D	1 Pair	1 Pair	008 750B
Premium Black	36 (900)	3/4 (20)	D	1 Pair	1 Pair	008 900B
Stainless Steel*	18 (450)	5/8 (16)	C	1 Pair	1 Pair	008 4506
Stainless Steel*	24 (600)	3/4 (20)	C	1 Pair	1 Pair	008 6006
Stainless Steel*	36 (900)	3/4 (20)	D	1 Pair	1 Pair	008 9006

1 pair includes: 2 x bands, 2 x adjustable gate eyes and 2 x hooks on plates
*Constructed from Grade 316 stainless steel

Hook on Plate to suit Adjustable Bands

FINISH	SUITABLE FOR	PIN Ø INS (MM)	UNIT QTY	MIN. ORDER QTY	OUTER CARTON QTY	CODE
Galvanised	14 - 18" adjustable bands	5/8 (16)	1 Pair	10 Pairs	40 Pairs	011 0161
Galvanised	24 - 30" adjustable bands	3/4 (19)	1 Pair	10 Pairs	40 Pairs	011 0191



Braced Adjustable Band & Hook on Plate

FINISH	SIZE INS (MM)	LOAD APPL.	UNIT QTY	MIN. ORDER QTY	OUTER CARTON QTY	CODE
Galvanised	14 (350)	B	1 Pair	1 Pair	5 Pairs	026 0101



Adjustable Bands & Adjustable Hooks on Plate

Features adjustable hook and adjustable gate eye

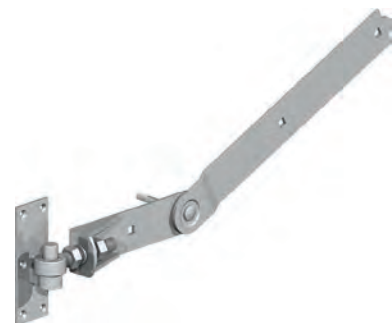
FINISH	SIZE INS (MM)	LOAD APPL.	UNIT QTY	MIN. ORDER QTY	OUTER CARTON QTY	CODE
Galvanised	30 (750)	D	1 Pair	1 Pair	2 Pairs	008 7511



Adjustable Curved Rail Hinges with Hooks on Plate

FINISH	SIZE INS (MM)	LOAD APPL.	UNIT QTY	MIN. ORDER QTY	CODE
Galvanised	24 (600)	C	1 Pair	2 Pairs	025 6081

1 pair contains top and bottom hinge
Registered design



Heavy Reversible Hinges



Heavy Reversible Hinges

FINISH	SIZE INS (MM)	LOAD APPL.	UNIT QTY	MIN. ORDER QTY	OUTER CARTON QTY	CODE
Galvanised	12 (300)	B	1 Pair	5 Pairs	20 Pairs	017 3001
Galvanised	14 (350)	B	1 Pair	5 Pairs	15 Pairs	017 3501
Galvanised	16 (400)	B	1 Pair	5 Pairs	10 Pairs	017 4001
Galvanised	18 (450)	C	1 Pair	5 Pairs	10 Pairs	017 4501
Galvanised	20 (500)	C	1 Pair	5 Pairs	10 Pairs	017 5001
Galvanised	24 (600)	C	1 Pair	2 Pairs	6 Pairs	017 6001
Galvanised	30 (750)	D	1 Pair	2 Pairs	-	017 7501
Galvanised	36 (900)	D	1 Pair	2 Pairs	-	017 9001
Galvanised	42 (1050)	D	1 Pair	1 Pair	-	017 1051
Epoxy Black	12 (300)	B	1 Pair	5 Pairs	20 Pairs	017 3003
Epoxy Black	16 (400)	B	1 Pair	5 Pairs	10 Pairs	017 4003
Epoxy Black	18 (450)	C	1 Pair	5 Pairs	10 Pairs	017 4503
Epoxy Black	24 (600)	C	1 Pair	2 Pairs	6 Pairs	017 6003
Epoxy Black	30 (750)	D	1 Pair	2 Pairs	-	017 7503
Epoxy Black	36 (900)	D	1 Pair	2 Pairs	-	017 9003
Premium Black	18 (450)	C	1 Pair	1 Pair	5 Pairs	017 450B
Premium Black	24 (600)	C	1 Pair	1 Pair	2 Pairs	017 600B
Premium Black	36 (900)	D	1 Pair	1 Pair	2 Pairs	017 900B

Cups Only For Heavy Reversible Hinges



FINISH	SIZE INS (MM)	TO SUIT BAND SIZE INS(MM)	UNIT QTY	MIN. ORDER QTY	CODE
Galvanised	5/8 (16)	18-24 (450-600)	1 Pair	5 Pairs	018 3161
Epoxy Black	3/4 (19)	30-36 (750-900)	1 Pair	5 Pairs	018 4193

One pair = 4 cups

DuraPost®
BY BIRKDALE

ALUMINIUM GATE KIT

VERSATILE DESIGN

All the kit you need to make an entrance

Every project is different, which is why we've designed a gate that adjusts to any outside space. The DuraPost Aluminium Gate Kit combines privacy and security with flexibility.

COLOURS



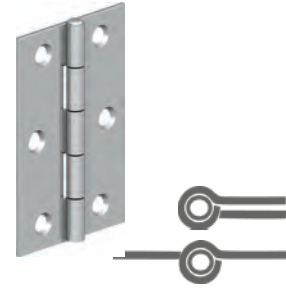
PAGE
248



Butt Hinges

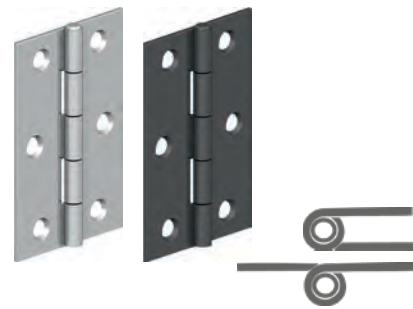
Butt Hinges 1838

FINISH	SIZE INS (MM)	LOAD APPL.	UNIT QTY	MIN. ORDER QTY	OUTER CARTON QTY	CODE
BZP	2 (50)	A	1 Pair	10 Pairs	250 Pairs	019 0502
BZP	3 (75)	A	1 Pair	10 Pairs	120 Pairs	019 0752
BZP	4 (100)	A	1 Pair	5 Pairs	60 Pairs	019 1002
BZP	6 (150)	A	1 Pair	5 Pairs	20 Pairs	019 1502



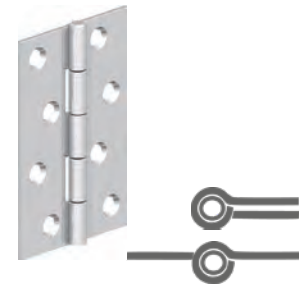
Butt Hinges 5050

FINISH	SIZE INS (MM)	LOAD APPL.	UNIT QTY	MIN. ORDER QTY	OUTER CARTON QTY	CODE
BZP	3 (75)	A	1 Pair	10 Pairs	120 Pairs	018 0752
BZP	4 (100)	A	1 Pair	10 Pairs	60 Pairs	018 1002
BZP	5 (125)	A	1 Pair	10 Pairs	40 Pairs	018 1252
BZP	6 (150)	A	1 Pair	10 Pairs	30 Pairs	018 1502
Self Colour	5 (125)	A	1 Pair	10 Pairs	40 Pairs	018 1254



Strong Butt Hinges 451

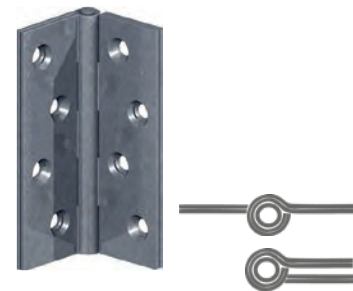
FINISH	SIZE INS (MM)	LOAD APPL.	UNIT QTY	MIN. ORDER QTY	OUTER CARTON QTY	CODE
BZP	4 (100)	C	1 Pair	5 Pairs	60 Pairs	020 1002



Double Pressed Butt Hinges 899

Heavy duty construction

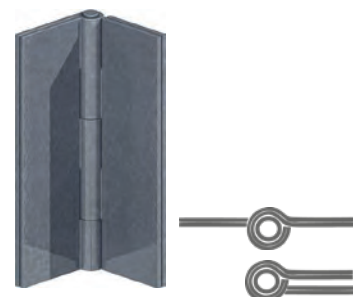
FINISH	SIZE INS (MM)	LOAD APPL.	UNIT QTY	MIN. ORDER QTY	OUTER CARTON QTY	CODE
BZP	4 (100)	A	1 Pair	5 Pairs	30 Pairs	023 1002



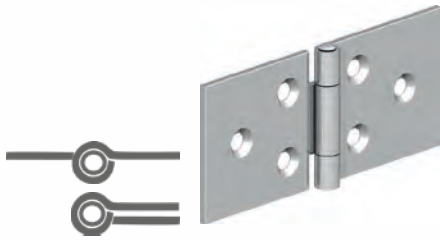
Double Pressed Butt Hinges without Holes 899T

For welding

FINISH	SIZE INS (MM)	LOAD APPL.	UNIT QTY	MIN. ORDER QTY	OUTER CARTON QTY	CODE
Self Colour	4 (100)	A	1 Pair	5 Pairs	30 Pairs	024 1004



Back Flap Hinges 400



FINISH	SIZE INS (MM)	LOAD APPL.	UNIT QTY	MIN. ORDER QTY	OUTER CARTON QTY	CODE
BZP	2 (50)	A	1 Pair	10 Pairs	120 Pairs	025 0502

Hurlinges 104



FINISH	SIZE INS (MM)	UNIT QTY	MIN. ORDER QTY	OUTER CARTON QTY	CODE
BZP	4 (100)	1 Pair	10 Pairs	80 Pairs	021 1002

Flush Hinges 105



FINISH	SIZE INS (MM)	UNIT QTY	MIN. ORDER QTY	OUTER CARTON QTY	CODE
BZP	3 (75)	1 Pair	25 Pairs	150 Pairs	022 0752

Grade 11 Stainless Steel Ball Bearing Butt Hinge



- For indoor use on timber doors
- High quality smooth ball bearing action
- Includes stainless steel screws

FINISH	SIZE INS (MM)	LOAD APPL.	UNIT QTY	MIN. ORDER QTY	CODE
Brushed Stainless Steel	3 x 2 (75 x 50)	A	1 Pair	1 Pair	027 0756B

Constructed from Grade 316 stainless steel

Grade 13 Stainless Steel Ball Bearing Butt Hinge



- Certified CE13 BSN1935
- Includes stainless steel screws
- Certifire approved product
- Quality and performance BSEN1935
- Fire safety BSEN1634 - for use on 30 minute and 1 hour fire doors

FINISH	SIZE INS (MM)	LOAD APPL.	UNIT QTY	MIN. ORDER QTY	INNER CARTON QTY	OUTER CARTON QTY	CODE
Brushed Stainless Steel	4 x 3 (102 x 76)	A	1 Pair	1 Pair	1 Pair	40 Pairs	027 1006B
Brushed Stainless Steel	4 x 3 (102 x 76)	A	1.5 Pairs	1 Pack	3 Packs	25 Packs	027 1016B
Polished Stainless Steel	4 x 3 (102 x 76)	A	1.5 Pairs	1 Pack	3 Packs	25 Packs	027 1016P

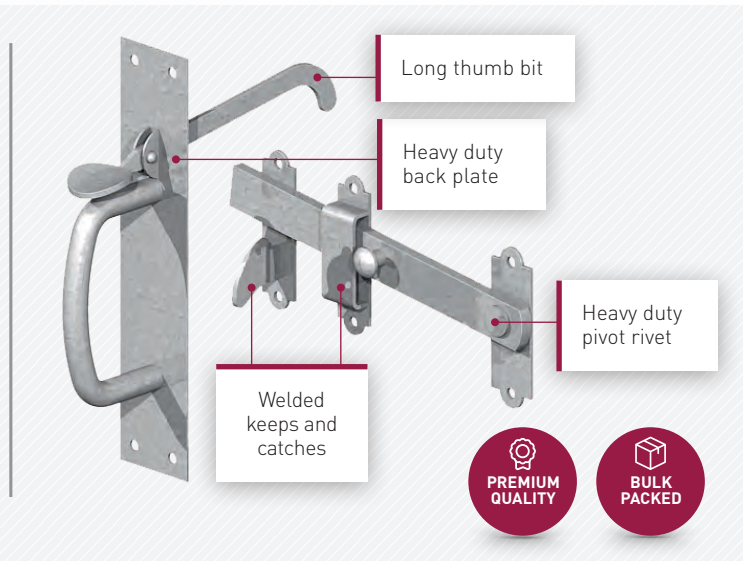
Constructed from Grade 316 stainless steel

LATCHES, CATCHES, HOOKS & BOLTS

Latches

SUFFOLK LATCHES

- Available in light and heavy duty options and a range of finishes and styles
- Heavy pattern provides excellent strength for heavy use applications
- Suitable for up to 3" gates



Light Suffolk Latch with Long Thumb Bit

FINISH	THUMB LENGTH INS (MM)	MIN. ORDER QTY	OUTER CARTON QTY	CODE
BZP	4½ (115)	5	25	123 0012
Epoxy Black	4½ (115)	5	25	123 0013



Heavy Suffolk Latch with Long Thumb Bit

Features 6mm thick latch bar and back plates for heavier applications

FINISH	THUMB LENGTH INS (MM)	MIN. ORDER QTY	OUTER CARTON QTY	CODE
Galvanised	4½ (115)	5	25	123 0021
BZP	4½ (115)	5	25	123 0022
Epoxy Black	4½ (115)	5	25	123 0023
Premium Black	4½ (115)	5	50	123 002B





Heavy Gothic Suffolk Latch with Long Thumb Bit



FINISH	THUMB LENGTH INS (MM)	MIN. ORDER QTY	OUTER CARTON QTY	CODE
Galvanised	4½ (115)	5	30	123 0031
BZP	4½ (115)	5	30	123 0032
Epoxy Black	4½ (115)	5	30	123 0033
Stainless Steel*	4½ (115)	1	10	123 0036

*Constructed from Grade 316 stainless steel

GATE FURNITURE & ACCESSORIES

MARKET LEADING SUPPORT



**Next Day
Delivery Service**



**Exciting innovative
products**



**Increased Marketing
Support**



**Merchandising
Service**



**Industry Leading
Customer Service**



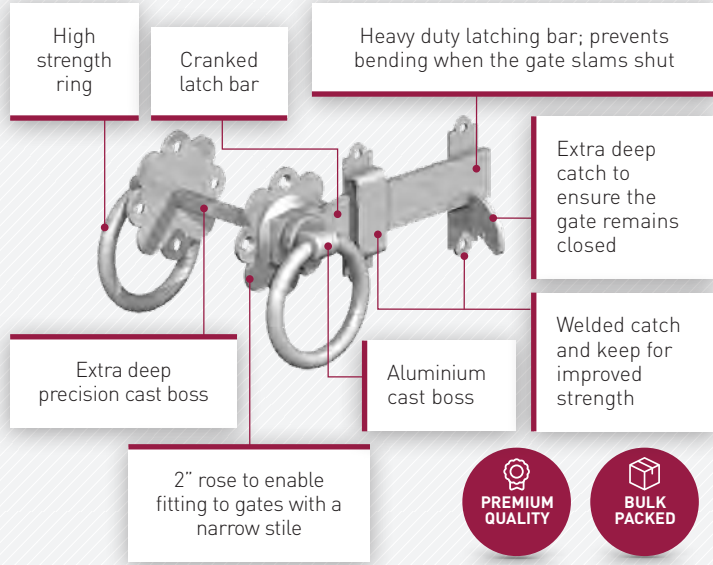
**An Environmental
Commitment**

We're always open at www.birkdalesales.com

T 0345 450 9000 **F** 0345 450 9085 **E** mail@birkdalesales.com

RING GATE LATCH

- Very popular within the range; featuring a choice of sizes and finishes
- Ornamental designs also available



Ring Gate Latch

FINISH	SIZE INS (MM)	MIN. ORDER QTY	OUTER CARTON QTY	CODE
Galvanised	4 (100)	5	40	124 1001
Galvanised	5 (125)	5	40	124 1251
Galvanised	6 (150)	5	40	124 1501
Galvanised	7 (175)	5	40	124 1751
BZP	5 (125)	5	40	124 1252
BZP	6 (150)	5	40	124 1502
Epoxy Black	5 (125)	5	40	124 1253
Epoxy Black	6 (150)	5	40	124 1503
Epoxy Black	7 (175)	5	40	124 1753
Premium Black	5 (125)	5	40	124 125B
Premium Black	6 (150)	5	40	124 150B
Stainless Steel*	6 (150)	1	10	124 1506

*Constructed from Grade 316 stainless steel

FOR 8" OR 10" RING GATE LATCHES SEE PAGE 135

★ BEST SELLER



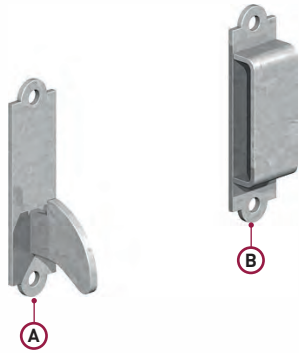
Twisted Ring Gate Latch

FINISH	SIZE INS (MM)	MIN. ORDER QTY	OUTER CARTON QTY	CODE
Galvanised	6 (150)	5	30	125 1501
Epoxy Black	6 (150)	5	40	125 1503



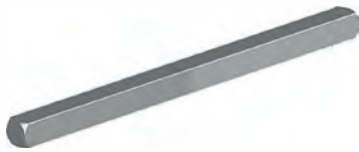
LOOKING FOR ORNAMENTAL IRONMONGERY? SEE PAGE 134

Catches/Keeps for Suffolk & Ring Latches



FINISH	DESC	MIN. ORDER QTY	INNER CARTON QTY	OUTER CARTON QTY	CODE
BZP	Light Catch (A)	1	10	500	127 0012
Epoxy Black	Light Catch (A)	1	10	500	127 0013
BZP	Light Keep (B)	1	10	1000	127 0022
Epoxy Black	Heavy Catch (A)	1	10	500	127 0033

Extended Spindle for Ring Gate Latch



FINISH	SIZE INS (MM)	MIN. ORDER QTY	INNER CARTON QTY	OUTER CARTON QTY	CODE
BZP	5 (125)	1	5	100	124 0062

Kenham Pattern Gate Latch



FINISH	SIZE INS (MM)	MIN. ORDER QTY	OUTER CARTON QTY	CODE
BZP	3 (75)	1	50	129 0752

Kick-Over Stable Latch



FINISH	SIZE INS (MM)	MIN. ORDER QTY	OUTER CARTON QTY	CODE
Galvanised	9½ (240)	5	20	131 2401

Narrow Pattern Kickover Stable Latch

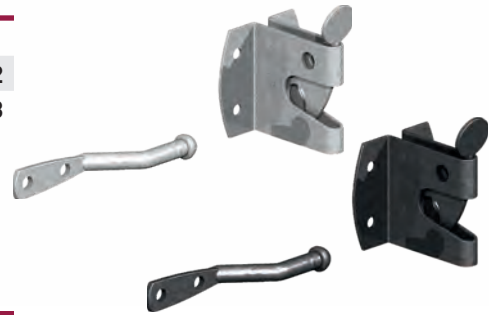


FINISH	SIZE INS (MM)	MIN. ORDER QTY	CODE
Galvanised	9½ (240)	5	131 2451

Catches

GATEMATE® Medium Auto Gate Catch

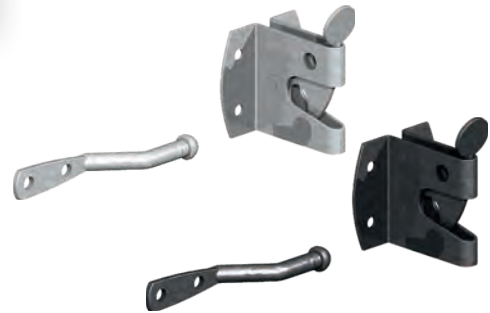
FINISH	MIN. ORDER QTY	OUTER CARTON QTY	CODE
Galvanised	10	50	120 0011
BZP	10	50	120 0012
Epoxy Black	10	50	120 0013



GATEMATE® Large Auto Gate Catch

Features thicker striker and body for heavier applications

FINISH	MIN. ORDER QTY	OUTER CARTON QTY	CODE
Galvanised	10	50	120 0021
Epoxy Black	10	50	120 0023



Easy-Close Auto Gate Catch

Includes brass pin for greater rust resistance

FINISH	SIZE INS (MM)	MIN. ORDER QTY	OUTER CARTON QTY	CODE
Galvanised	2 (50)	10	100	120 1011
BZP	2 (50)	10	100	120 1012
Epoxy Black	2 (50)	10	100	120 1013



Gate Return Springs

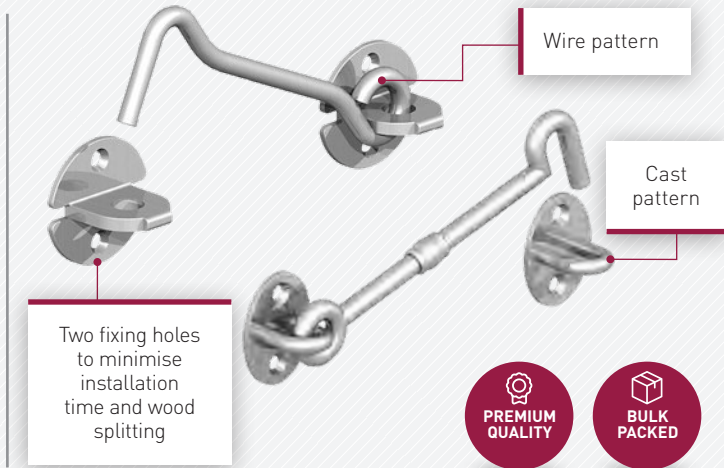
FINISH	SIZE INS (MM)	MIN. ORDER QTY	OUTER CARTON QTY	CODE
BZP	8 (200)	10	40	132 2002
BZP	10 (250)	10	40	132 2502
Epoxy Black	8 (200)	10	40	132 2003
Epoxy Black	10 (250)	10	40	132 2503



Hooks

CABIN HOOKS

- Range of patterns and finishes available including stainless steel and premium black (epoxy black on galvanised steel)
- Available up to 600mm (24") long
- The main body diameter thickness of the hooks is 12mm



Wire Pattern Cabin Hooks



FINISH	SIZE INS (MM)	MIN. ORDER QTY	OUTER CARTON QTY	CODE
Galvanised	4 (100)	20	100	135 1001
Galvanised	6 (150)	20	100	135 1501
Galvanised	8 (200)	20	100	135 2001
Galvanised	10 (250)	10	-	135 2501
Galvanised	12 (300)	10	100	135 3001
Galvanised	24 (600) *	10	-	135 6001
Epoxy Black	4 (100)	20	100	135 1003
Epoxy Black	6 (150)	10	100	135 1503
Epoxy Black	8 (200)	20	100	135 2003
Epoxy Black	10 (250)	10	-	135 2503
Epoxy Black	12 (300)	10	100	135 3003
Epoxy Black	24 (600) *	10	-	135 6003

*Heavy duty

Cast Pattern Cabin Hooks



FINISH	SIZE INS (MM)	MIN. ORDER QTY	OUTER CARTON QTY	CODE
Galvanised	4 (100)	10	100	136 1001
Galvanised	6 (150)	10	100	136 1501
Galvanised	8 (200)	10	100	136 2001
Galvanised	10 (250)	10	100	136 2501
Epoxy Black	4 (100)	10	100	136 1003
Epoxy Black	6 (150)	10	100	136 1503
Epoxy Black	8 (200)	10	100	136 2003
Epoxy Black	10 (250)	10	100	136 2503
Premium Black	8 (200)	1	10	136 200B
Stainless Steel*	4 (100)	1	10	136 1006

*Constructed from Grade 316 stainless steel

Turn Buttons

FINISH	SIZE INS (MM)	MIN. ORDER QTY	OUTER CARTON QTY	CODE
BZP	2 (50)	100	1000	133 0502
BZP	2½ (65)	50	1000	133 0652
Epoxy Black	2 (50)	100	1000	133 0503



Bolts

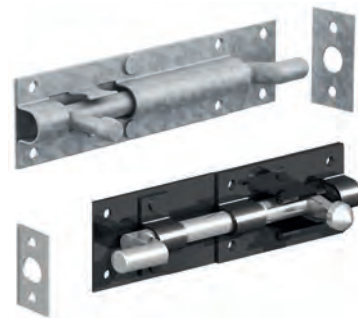
Tower Bolt

FINISH	SIZE INS (MM)	MIN. ORDER QTY	OUTER CARTON QTY	CODE
Galvanised	3 (75)	10	100	100 0751
Galvanised	4 (100)	10	100	100 1001
Galvanised	6 (150)	10	50	100 1501
Galvanised	8 (200)	10	40	100 2001
Galvanised	10 (250)	10	40	100 2501
BZP	3 (75)	10	100	100 0752
BZP	4 (100)	10	100	100 1002
BZP	6 (150)	10	50	100 1502
BZP	8 (200)	10	50	100 2002
Epoxy Black	3 (75)	10	100	100 0753
Epoxy Black	4 (100)	10	100	100 1003
Epoxy Black	6 (150)	10	50	100 1503
Epoxy Black	8 (200)	10	50	100 2003
Epoxy Black	10 (250)	10	50	100 2503



Necked Tower Bolt

FINISH	SIZE INS (MM)	MIN. ORDER QTY	OUTER CARTON QTY	CODE
Galvanised	6 (150)	10	50	101 1501
Epoxy Black	6 (150)	10	50	101 1503



Oval Padbolt

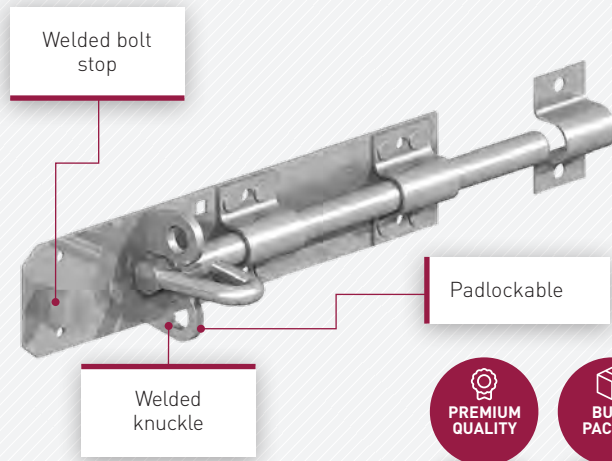
FINISH	SIZE INS (MM)	MIN. ORDER QTY	OUTER CARTON QTY	CODE
Galvanised	4 (100)	10	50	102 1001
BZP	4 (100)	10	50	102 1002
Epoxy Black	4 (100)	10	50	102 1003



BRENTON PADBOLTS

These brenton padbolts are ideal for use on gates and sheds alike.

- 1/2" or 5/8" diameter shoots
- Available in a range of finishes; including stainless steel and premium black
- All fittings are welded through to the back plate instead of being punched to provide more security



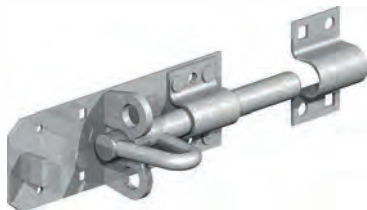
Brenton Padbolt with 1/2" Shoot



FINISH	SIZE INS (MM)	MIN. ORDER QTY	OUTER CARTON QTY	CODE
Galvanised	4 (100)	5	50	103 1001
Galvanised	6 (150)	5	50	103 1501
Galvanised	8 (200)	5	50	103 2001
Galvanised	10 (250)	5	50	103 2501
BZP	4 (100)	5	50	103 1002
BZP	6 (150)	5	50	103 1502
BZP	8 (200)	5	50	103 2002
Epoxy Black	4 (100)	5	50	103 1003
Epoxy Black	6 (150)	5	50	103 1503
Epoxy Black	8 (200)	5	50	103 2003
Premium Black	6 (150)	5	50	103 150B
Premium Black	8 (200)	5	50	103 200B
Stainless Steel*	6 (150)	1	30	103 1506

*Constructed from Grade 316 stainless steel

Brenton Padbolt with 5/8" Shoot

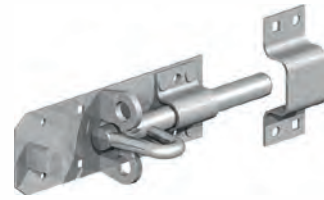


FINISH	SIZE INS (MM)	MIN. ORDER QTY	OUTER CARTON QTY	CODE
Galvanised	6 (150)	5	30	104 1501
Galvanised	8 (200)	5	30	104 2001
Galvanised	10 (250)	5	20	104 2501
Galvanised	12 (300)	5	20	104 3001
BZP	6 (150)	5	30	104 1502
BZP	8 (200)	5	30	104 2002
Stainless Steel*	8 (200)	1	20	104 2006

*Constructed from Grade 316 stainless steel

Brenton Padbolt with Elongated Keep & 5/8" Shoot

FINISH	SIZE INS (MM)	MIN. ORDER QTY	OUTER CARTON QTY	CODE
Galvanised	6 (150)	5	30	104 1511
Galvanised	8 (200)	5	30	104 2011
Premium Black	8 (200)	5	30	104 201B



Keeps for Brenton Padbolts

FINISH	SIZE INS (MM)	MIN. ORDER QTY	OUTER CARTON QTY	CODE
Galvanised	1/2 (12)	10	200	105 0121
Galvanised	5/8 (16)	10	200	105 0161



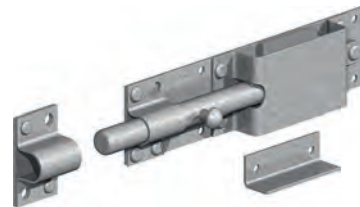
Elongated Keep for Brenton Padbolts

FINISH	SIZE INS (MM)	MIN. ORDER QTY	OUTER CARTON QTY	CODE
Galvanised	1/2 (12)	10	200	106 0121
Galvanised	5/8 (16)	10	200	106 0161
BZP	5/8 (16)	10	200	106 0162



Autolock Animal Bolt

FINISH	SIZE INS (MM)	MIN. ORDER QTY	OUTER CARTON QTY	CODE
Galvanised	9 (230)	5	30	108 2301



Heavy Cross Pattern Door Bolt

FINISH	SIZE INS (MM)	MIN. ORDER QTY	OUTER CARTON QTY	CODE
Galvanised	12 (300)	10	10	107 3001
Galvanised	15 (375)	10	10	107 3751
Galvanised	18 (450)	10	10	107 4501
Galvanised	24 (600)	5	5	107 6001

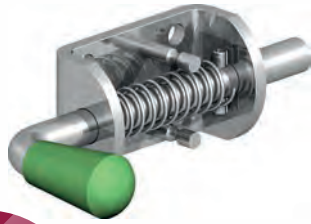


Spring-Loaded Bolt

FINISH	LENGTH INS (MM)	SHOOT SIZE INS (MM)	MIN. ORDER QTY	OUTER CARTON QTY	CODE
BZP	4 1/2 (115)	1/2 (12)	10	40	110 0122
BZP	4 (105)	5/8 (16)	5	20	110 0162
BZP	2 3/4 (70)	3/8 (9.5)	10	100	110 0952



Spring-Loaded Bolt with Short Body



FEATURES
GLOW IN
THE DARK
HANDLE

FINISH	LENGTH INS (MM)	SHOOT SIZE INS (MM)	MIN. ORDER QTY	OUTER CARTON QTY	CODE
BZP	3 (75)	½ (12)	10	50	110 3122
BZP	2½ (60)	¾ (9.5)	10	100	110 3952

Spring-Loaded Bolt with Long Body



FINISH	LENGTH INS (MM)	SHOOT SIZE INS (MM)	MIN. ORDER QTY	OUTER CARTON QTY	CODE
Galvanised	18 (450)	½ (12)	10	20	110 4501

Spring-Loaded Animal Bolt



FINISH	LENGTH INS (MM)	SHOOT SIZE INS (MM)	MIN. ORDER QTY	OUTER CARTON QTY	CODE
BZP	4½ (115)	½ (12)	10	40	109 0122

Garage Door Holder



DESC	SUITABLE FOR	FINISH	SIZE INS (MM)	MIN. ORDER QTY	OUTER CARTON QTY	CODE
1012	Narrow lintels/ frames**	Epoxy Black	15 (375)	1 Pair	2 Pairs	122 3753
1010	Narrow lintels/ frames**	Epoxy Black	24 (600)	1 Pair	2 Pairs	122 6003
1011	Wide lintels/ frames*	Epoxy Black	24 (600)	1 Pair	2 Pairs	122 6013

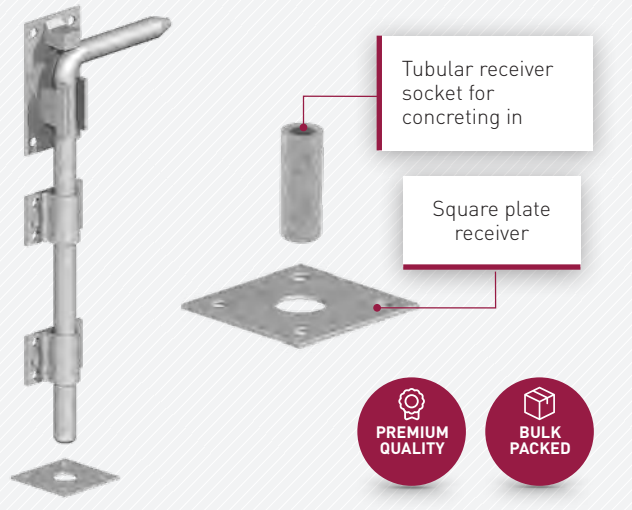
*Fixes to face of lintel/frame

**Fixes to underside of lintel/frame

GARAGE DOOR BOLT

Also known as 'drop bolts', our Garage Door Bolts are popular in the range and are suitable for a variety of applications.

- Available in galvanised, epoxy black, premium black and stainless steel
- Comes with Square Plate and Tubular Receiver Sockets for your choice of installation



Garage Door Bolt with 5/8" Shoot

FINISH	SIZE INS (MM)	MIN. ORDER QTY	OUTER CARTON QTY	CODE
Galvanised	12 (300)	1	20	116 3001
Galvanised	18 (450)	1	20	116 4501
Galvanised	24 (600)	1	10	116 6001
Epoxy Black	12 (300)	1	20	116 3003
Epoxy Black	18 (450)	1	20	116 4503
Epoxy Black	24 (600)	1	10	116 6003
Premium Black	18 (450)	1	20	116 450B
Premium Black	24 (600)	1	20	116 600B

Includes: square plate and tubular receiver sockets



Surface Door Bolt with 5/8" Shoot

FINISH	SIZE INS (MM)	MIN. ORDER QTY	OUTER CARTON QTY	CODE
Galvanised	18 (450)	1	5	115 4501
Epoxy Black	18 (450)	1	5	115 4503

Includes square plate receiver



Heavy Locking Garage Door Bolt

Features integrated hasp and staple for use with padlock

FINISH	SIZE INS (MM)	SHOOT SIZE INS (MM)	MIN. ORDER QTY	OUTER CARTON QTY	CODE
Galvanised	18 (450)	5/8 (16)	1	10	117 4501
Galvanised	24 (600)	3/4 (19)	1	10	117 6001
Stainless Steel*	18 (450)	5/8 (16)	1	10	117 4506

Includes square plate receiver

*Constructed from 316 grade stainless steel



Monkey Tail Bolt with 5/8" Square Shoot



FINISH	SIZE INS (MM)	MIN. ORDER QTY	OUTER CARTON QTY	CODE
Galvanised	12 (300)	5	20	113 3001
Galvanised	18 (450)	5	20	113 4501
Galvanised	24 (600)	5	-	113 6001
Epoxy Black	12 (300)	5	20	113 3003
Epoxy Black	18 (450)	5	20	113 4503

Includes square plate receiver

Chain Bolt with 5/8" Square Shoot



FINISH	SIZE INS (MM)	MIN. ORDER QTY	OUTER CARTON QTY	CODE
BZP	8 (200)	5	20	111 2002

Bow Handle Bolts with 5/8" Square Shoot



FINISH	SIZE INS (MM)	MIN. ORDER QTY	OUTER CARTON QTY	CODE
Galvanised	12 (300)	5	20	114 3001
Galvanised	18 (450)	5	-	114 4501
Galvanised	24 (600)	5	-	114 6001
Epoxy Black	12 (300)	5	20	114 3003
Epoxy Black	18 (450)	5	-	114 4503
Epoxy Black	24 (600)	5	-	114 6003

Includes square plate receiver

Receiver Socket



DESC	FINISH	SUITABLE FOR	MIN. ORDER QTY	INNER CARTON QTY	CODE
Easy-Clean (A)	Galvanised	16mm shoots	1	10	119 1161
Concrete-In (B)	Galvanised	19mm shoots	1	5	082 1701

LOCKING BARS, HASP & STAPLES

Locking Bars Bolt-On

Includes brass pins for added corrosion resistance

FINISH	SIZE INS (MM)	MIN. ORDER QTY	OUTER CARTON QTY	CODE
Galvanised	8 (200)	5	20	142 2001
Galvanised	10 (250)	5	20	142 2501
Epoxy Black	8 (200)	5	20	142 2003
Epoxy Black	10 (250)	5	20	142 2503



Locking Bars to Swivel

FINISH	SIZE INS (MM)	MIN. ORDER QTY	OUTER CARTON QTY	CODE
Galvanised	8 (200)	5	20	143 2001
Galvanised	12 (300)	5	20	143 3001



Safety Pattern Hasp & Staple

FINISH	SIZE INS (MM)	MIN. ORDER QTY	OUTER CARTON QTY	CODE
BZP	3 (75)	10	100	137 0752
BZP	4½ (113)	10	100	137 1132
BZP	6 (150)	10	60	137 1502
Epoxy Black	4½ (113)	10	100	137 1133
Epoxy Black	6 (150)	10	60	137 1503



Heavy Safety Pattern Hasp & Staple

FINISH	SIZE INS (MM)	MIN. ORDER QTY	OUTER CARTON QTY	CODE
Galvanised	7 (180)	5	20	138 1801
Epoxy Black	7 (180)	5	20	138 1803



Wire Pattern Hasp & Staple



FINISH	SIZE INS (MM)	MIN. ORDER QTY	OUTER CARTON QTY	CODE
BZP	4 (100)	10	100	141 1002
Epoxy Black	4 (100)	10	100	141 1003

Heavy Vertical Pattern Hasp & Staple

Includes brass pins for added corrosion resistance



FINISH	SIZE INS (MM)	MIN. ORDER QTY	OUTER CARTON QTY	CODE
Galvanised	6 (150)	5	20	140 1501
Epoxy Black	6 (150)	5	20	140 1503

Staple on Plate



FINISH	GAUGE	MIN. ORDER QTY	INNER CARTON QTY	OUTER CARTON QTY	CODE
BZP	Light	1	10	100	145 0012
Galvanised	Medium	1	10	100	145 0031
Galvanised	Heavy	1	10	100	145 0051
BZP	Heavy	1	10	100	145 0042

LOCKS & SECURITY

Security Chains

Square Link Chain in Plastic Sleevings



FINISH	LENGTH (MM)	LINK THICKNESS (MM)	MIN. ORDER QTY	CODE
BZP	1200	10	1	702 1202

Case hardened with plastic sleeve

Locks & Accessories

Rimsashlock - 2 Lever

FINISH	SIZE INS (MM)	MIN. ORDER QTY	OUTER CARTON QTY	CODE
Epoxy Black	5 x 3 (125 x 75)	1	10	149 0300
Epoxy Black	6 x 4 (150 x 100)	1	10	149 0030



Rimdeadlock - 2 Lever

FINISH	SIZE INS (MM)	MIN. ORDER QTY	OUTER CARTON QTY	CODE
Grey	4 x 3 (100 x 75)	1	10	149 0040

Max timber thickness 50mm



Mortice Sashlock - 3 Lever

FINISH	SIZE INS (MM)	MIN. ORDER QTY	OUTER CARTON QTY	CODE
Chrome	2½ (65)	1	10	149 0020



Presslock

FINISH	SIZE INS (MM)	MIN. ORDER QTY	OUTER CARTON QTY	CODE
Epoxy Black	3 (75)	1	20	149 0013



Cast Ball Door Knob



FINISH	SIZE INS (MM)	MIN. ORDER QTY	OUTER CARTON QTY	CODE
Dull Black	1 3/4 (45)	1	5	175 0453

Cast Oval Door Knob



FINISH	SIZE INS (MM)	MIN. ORDER QTY	OUTER CARTON QTY	CODE
Dull Black	2 (50)	1	5	175 0603

Rimsashlock Door Knob



FINISH	SIZE INS (MM)	MIN. ORDER QTY	INNER CARTON QTY	OUTER CARTON QTY	CODE
Black Plastic	2 (50)	1	5	50	149 0050

Cast Pull Handle



FINISH	SIZE INS (MM)	MIN. ORDER QTY	OUTER CARTON QTY	CODE
Galvanised	6 (150)	10	100	146 1501
Epoxy Black	6 (150)	10	100	146 1503

Pressed Steel Pull Handle



FINISH	SIZE INS (MM)	MIN. ORDER QTY	OUTER CARTON QTY	CODE
BZP	7 (175)	10	100	147 1752
Epoxy Black	7 (175)	10	100	147 1753

OTHER GATE ACCESSORIES

Gate Closers, Gate Stops & Casement Stays

Gas Gate Closer

DESC	FINISH	SIZE INS (MM)	MAX LOAD (KG)	MIN. ORDER QTY	CODE
Surface Fix	Black/Chrome	30 (750)	80	1	134 7503
Weld On	Black/Chrome	30 (750)	80	1	134 7513



Small Hydraulic Gate Closer

FINISH	SIZE INS (MM)	MAX LOAD (KG)	MIN. ORDER QTY	OUTER CARTON QTY	CODE
Black	12 (300)	50	1	12	134 3003

Suitable for maximum gate width of 1000mm



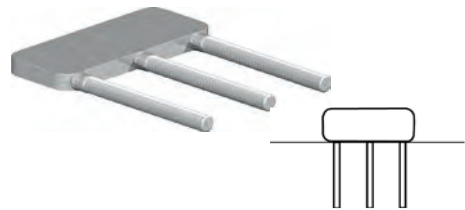
Casement Stay

FINISH	SIZE INS (MM)	MIN. ORDER QTY	OUTER CARTON QTY	CODE
Aluminium	10 (250)	1	10	149 0070



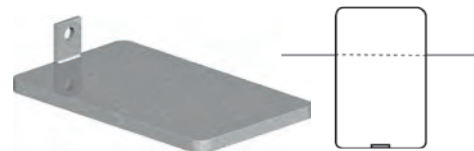
Gate Stop with 3 Legs to Concrete In

FINISH	SIZE INS (MM)	MIN. ORDER QTY	INNER CARTON QTY	OUTER CARTON QTY	CODE
Galvanised	5 (120) wide	1	5	20	082 1201



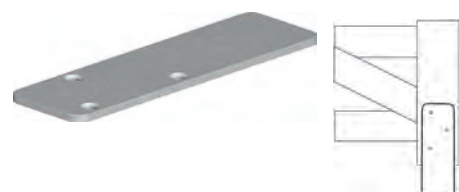
Flat Plate Concrete in Gate Stop

FINISH	SIZE INS (MM)	MIN. ORDER QTY	INNER CARTON QTY	OUTER CARTON QTY	CODE
Galvanised	5 x 8 (120 x 200)	1	5	10	082 2001



Gate Mounted Flat Plate Stop

FINISH	SIZE INS (MM)	MIN. ORDER QTY	INNER CARTON QTY	OUTER CARTON QTY	CODE
Galvanised	2½ x 9 (65 x 220)	1	10	30	089 2201



Shelf Brackets



London Shelf Bracket

FINISH	SIZE INS (MM)	MIN. ORDER QTY	OUTER CARTON QTY	CODE
Grey	4 x 3 (100 x 75)	20	240	182 1008
Grey	5 x 4 (125 x 100)	20	160	182 1258
Grey	6 x 5 (150 x 125)	20	240	182 1508
Grey	8 x 6 (200 x 150)	20	240	182 2008
Grey	9 x 7 (225 x 175)	20	200	182 2258
Grey	10 x 8 (250 x 200)	20	140	182 2508
Grey	12 x 10 (300 x 250)	20	80	182 3008
Grey	14 x 12 (350 x 300)	20	60	182 3508
White	4 x 3 (100 x 75)	20	240	182 1009
White	5 x 4 (125 x 100)	20	160	182 1259
White	6 x 5 (150 x 125)	20	240	182 1509
White	8 x 6 (200 x 150)	20	240	182 2009
White	9 x 7 (225 x 175)	20	200	182 2259
White	10 x 8 (250 x 200)	20	140	182 2509
White	12 x 10 (300 x 250)	20	80	182 3009
White	14 x 12 (350 x 300)	20	60	182 3509

Fluted Angle Bracket



FINISH	SIZE INS (MM)	MIN. ORDER QTY	INNER CARTON QTY	OUTER CARTON QTY	CODE
Galvanised	4 x 3 (100 x 75)	1	10	100	183 1001
Galvanised	5 x 4 (125 x 100)	1	10	100	183 1251
Galvanised	6 x 5 (150 x 125)	1	10	100	183 1501
Galvanised	8 x 6 (200 x 150)	1	10	100	183 2001
Galvanised	10 x 8 (250 x 200)	1	10	100	183 2501
Galvanised	12 x 10 (300 x 250)	1	10	50	183 3001

Handrail Brackets

Handrail Bracket



FINISH	DISTANCE FROM WALL INS (MM)	MIN. ORDER QTY	OUTER CARTON QTY	CODE
BZP	2½ (65)	10	100	180 0652
BZP	3 (75)	10	100	180 0752
White	2½ (65)	10	100	180 0657
White	3 (75)	10	100	180 0757

Heavy Duty Handrail Bracket

Features welded back plate



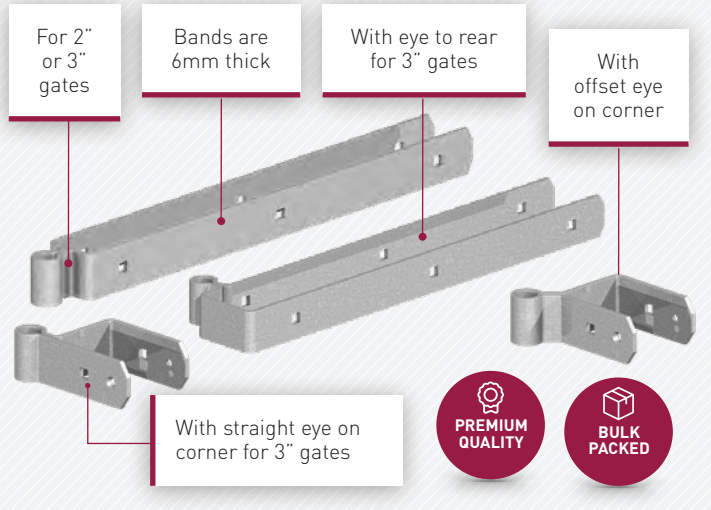
FINISH	DISTANCE FROM WALL INS (MM)	MIN. ORDER QTY	OUTER CARTON QTY	CODE
BZP	2½ (65)	10	100	181 0652

FIELD GATE FITTINGS

Field Gate Hinges

FIELD GATE DOUBLE STRAP BANDS

- Available for 2" and 3" gates
- Wide range of bands for multiple applications
- Huge range of hooks also available - see page 110-111
- All galvanised bands come with galvanised fixings



GATE FURNITURE & ACCESSORIES

Field Gate Double Strap Band for 3" Gates

FINISH	SIZE INS (MM)	SUITABLE FOR	MIN. ORDER QTY	OUTER CARTON QTY	CODE
Galvanised	3½ (88)	19mm pin	1	20	053 0881
Galvanised	5 (125)	19mm pin	1	20	053 1251
Galvanised	12 (300)	19mm pin	1	8	053 3001
Galvanised	18 (450)	19mm pin	1	8	053 4501
Galvanised	24 (600)	19mm pin	1	8	053 6001
Galvanised	30 (750)	19mm pin	1	8	053 7501
Galvanised	36 (900)	19mm pin	1	6	053 9001
Epoxy Black	5 (125)	19mm pin	1	20	053 1253
Epoxy Black	12 (300)	19mm pin	1	8	053 3003
Epoxy Black	18 (450)	19mm pin	1	8	053 4503
Epoxy Black	24 (600)	19mm pin	1	8	053 6003
Premium Black	24 (600)	19mm pin	1	8	053 600B

Fixings included

FOR FIELD GATE HINGE SETS, SEE PAGES 22-26



Field Gate Double Strap Band for 2" Gates

FINISH	SIZE INS (MM)	EYE Ø INS (MM)	MIN. ORDER QTY	OUTER CARTON QTY	CODE
Galvanised	3½ (88)	¾ (19)	1	20	087 0881
Galvanised	18 (450)	¾ (19)	1	8	087 4501
Galvanised	24 (600)	¾ (19)	1	8	087 6001

Fixings included



Field Gate Double Strap Bands with Eye to Rear for 3" Gates



**FOR
FIELDGATE
HINGE SETS,
SEE PAGES
22-26**

FINISH	SIZE INS (MM)	EYE Ø INS (MM)	MIN. ORDER QTY	OUTER CARTON QTY	CODE
Galvanised	5 (125)	¾ (19)	1	20	053 1201
Galvanised	12 (300)	¾ (19)	1	8	053 2601
Galvanised	18 (450)	¾ (19)	1	8	053 3601
Galvanised	24 (600)	¾ (19)	1	8	053 5601

Fixings included

Field Gate Double Strap Band with 1" Eye for 3" Gates



FINISH	SIZE INS (MM)	EYE Ø INS (MM)	MIN. ORDER QTY	OUTER CARTON QTY	CODE
Galvanised	24 (600)	1 (25)	1	8	053 6011

Fixings included

Field Gate Double Strap Band with Straight Eye on Corner for 3" Gates



FINISH	SIZE INS (MM)	EYE Ø INS (MM)	MIN. ORDER QTY	OUTER CARTON QTY	CODE
Galvanised	5 (125)	¾ (19)	1	20	054 1251
Galvanised	24 (600)	¾ (19)	1	8	054 6001

Fixings included

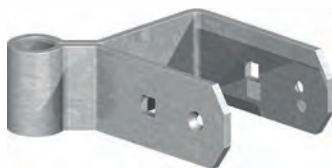
Field Gate Double Strap Band with 1" Straight Eye on Corner for 3" Gates



FINISH	SIZE INS (MM)	EYE Ø INS (MM)	MIN. ORDER QTY	OUTER CARTON QTY	CODE
Galvanised	24 (600)	1 (25)	1	8	054 6011

Fixings included

Field Gate Double Strap Band with Offset Eye on Corner for 3" Gates



FINISH	SIZE INS (MM)	EYE Ø INS (MM)	MIN. ORDER QTY	OUTER CARTON QTY	CODE
Galvanised	5 (125)	¾ (19)	1	20	055 1251
Galvanised	18 (450)	¾ (19)	1	8	055 4501
Galvanised	24 (600)	¾ (19)	1	8	055 6001

Fixings included

Field Gate Rising Hinge & Rocker Plate for 3" Gates

FINISH	SIZE INS (MM)	PIN/EYE Ø INS (MM)	MIN. ORDER QTY	OUTER CARTON QTY	CODE
Galvanised	5 (125)	¾ (19)	1	5	056 1251

Fixings included



Field Gate Slotted Bottom Band for 3" Gates

FINISH	SIZE INS (MM)	PIN/EYE Ø INS (MM)	MIN. ORDER QTY	OUTER CARTON QTY	CODE
Galvanised	5 (125)	¾ (19)	1	20	057 1251

Fixings included



Field Gate Adjustable Bottom Fittings for 3" Gates

FINISH	SUITABLE FOR	PIN/EYE Ø INS (MM)	MIN. ORDER QTY	OUTER CARTON QTY	CODE
Galvanised	3" gates	¾ (19)	1	10	058 0751
Epoxy Black	3" gates	¾ (19)	1	10	058 0753



Field Gate Heel Clip Only

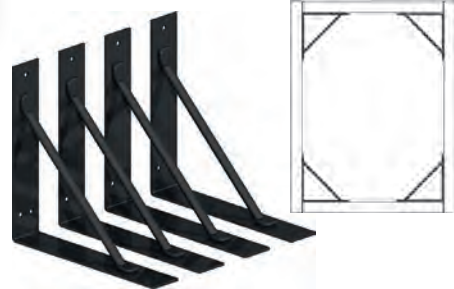
FINISH	SUITABLE FOR	EYE Ø INS (MM)	MIN. ORDER QTY	OUTER CARTON QTY	CODE
Galvanised	3" gates	¾ (19)	1	50	059 0751



Timber Gate Building Kit

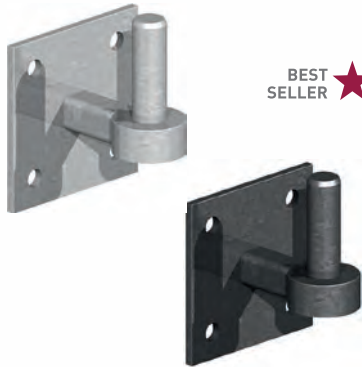
This kit assists fast construction of a gate frame for timber clad gates

FINISH	SIZE INS (MM)	MIN. ORDER QTY	OUTER CARTON QTY	CODE
Epoxy Black	8 (200)	1 Pack (4 Pieces)	10 Packs	705 0003



Field Gate Hooks & Eyes

Field Gate Hook on Plate



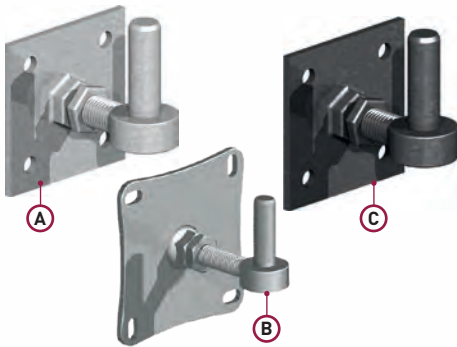
FINISH	SIZE INS (MM)	PIN Ø INS (MM)	MIN. ORDER QTY	INNER CARTON QTY	OUTER CARTON QTY	CODE
Galvanised	4 x 4 (100 x 100)	¾ (19)	1	10	20	042 4191
Galvanised	4 x 4 (100 x 100)	⅞ (22)	1	10	20	042 4221
Epoxy Black	4 x 4 (100 x 100)	¾ (19)	1	10	20	042 4193
Premium Black	4 x 4 (100 x 100)	¾ (19)	1	-	25	042 419B

Field Gate Hook on Narrow Plate



FINISH	PIN/EYE Ø INS (MM)	PLATE WIDTH (MM)	MIN. ORDER QTY	OUTER CARTON QTY	CODE
Galvanised	¾ (19)	50	1	25	045 0191
Galvanised	1 (25)	50	1	10	045 0251

Field Gate Adjustable Hook on Plate



FINISH	SIZE INS (MM)	PIN Ø INS (MM)	MIN. ORDER QTY	OUTER CARTON QTY	CODE
Galvanised (A)	4 x 4 (100 x 100)	¾ (19)	1	20	042 5191
Galvanised (B)	6 x 6 (150 x 150)	¾ (19)	1	12	042 5101
Epoxy Black (C)	4 x 4 (100 x 100)	¾ (19)	1	20	042 5193

Field Gate Adjustable Hook on Narrow Plate

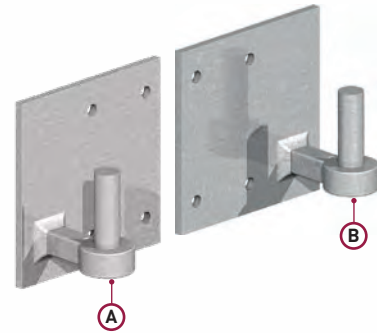


FINISH	PIN/EYE Ø INS (MM)	PLATE WIDTH (MM)	MIN. ORDER QTY	OUTER CARTON QTY	CODE
Galvanised	⅝ (16)	57	1	20	042 6161
Galvanised	¾ (19)	57	1	20	042 6191

Field Gate Hook on Heavy Duty Plate

DESC	FINISH	SIZE INS (MM)*	PIN/EYE Ø INS (MM)	MIN. ORDER QTY	OUTER CARTON QTY	CODE
Left Hand (A)	Galvanised	4 x 6 (100 x 150)	¾ (19)	1	5	088 0191
Left Hand (A)	Galvanised	6 x 6 (150 x 150)	¾ (19)	1	5	088 1191
Right Hand (B)	Galvanised	4 x 6 (100 x 150)	¾ (19)	1	5	088 3191

*Height x width



Field Gate Hook to Bolt

FINISH	LENGTH INS (MM)	SUITABLE FOR	PIN Ø INS (MM)	MIN. ORDER QTY	INNER CARTON QTY	OUTER CARTON QTY	CODE
Galvanised	11 (275)	4 - 8" posts	¾ (19)	1	10	20	040 2751
Galvanised	13 (325)	4 - 10" posts	¾ (19)	1	10	20	040 3251
Galvanised	13 (325)	4 - 10" posts,	7/8 (22)	1	10	20	040 3221
Epoxy Black	13 (325)	4 - 10" posts	¾ (19)	1	10	20	040 3253



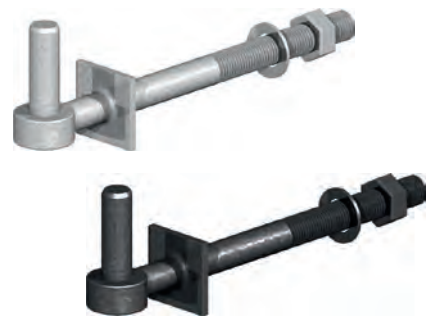
Field Gate Hook to Bolt with Welded Washer

FINISH	SIZE INS (MM)	SUITABLE FOR	PIN/EYE Ø INS (MM)	MIN. ORDER QTY	INNER CARTON QTY	OUTER CARTON QTY	CODE
Galvanised	13 (325)	4 - 10" posts	¾ (19)	1	10	20	040 3261



Field Gate Hanger to Bolt

FINISH	LENGTH INS (MM)	SUITABLE FOR	PIN Ø INS (MM)	MIN. ORDER QTY	OUTER CARTON QTY	CODE
Galvanised	10 (250)	3 - 5" posts	¾ (19)	1	20	043 2501
Galvanised	12 (300)	4 - 7" posts	¾ (19)	1	20	043 3001
Galvanised	14 (350)	7 - 9" posts	¾ (19)	1	20	043 3501
Galvanised	16 (400)	7 - 11" posts	¾ (19)	1	10	043 4001
Galvanised	18 (450)	10 - 14" posts	¾ (19)	1	10	043 4501
Epoxy Black	12 (300)	4 - 7" posts	¾ (19)	1	20	043 3003
Epoxy Black	14 (350)	7 - 9" posts	¾ (19)	1	20	043 3503



Field Gate Lock Through Hook



FINISH	SIZE INS (MM)	SUITABLE FOR	PIN/EYE Ø INS (MM)	MIN. ORDER QTY	OUTER CARTON QTY	CODE
Galvanised	15 (375)	4 - 12" posts	¾ (19)	1	10	084 3501

Extended hook locks into post to prevent hook twisting

Field Gate Hook to Drive



FINISH	LENGTH INS (MM)	PIN Ø INS (MM)	MIN. ORDER QTY	INNER CARTON QTY	OUTER CARTON QTY	CODE
Galvanised	8½ (215)	¾ (19)	1	10	20	041 8191
Epoxy Black	8½ (215)	¾ (19)	1	10	30	041 8193

Our hooks to drive have a barbed shank to ensure secure fixing

Field Gate Hook to Build



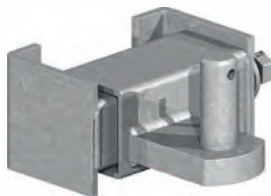
FINISH	SUITABLE FOR	PIN Ø INS (MM)	MIN. ORDER QTY	OUTER CARTON QTY	CODE
Galvanised	9" brickwork	¾ (19)	1	20	044 2251

Field Gate Hook to Screw



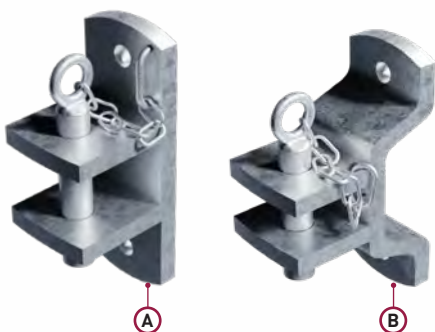
FINISH	SIZE INS (MM)	PIN Ø INS (MM)	MIN. ORDER QTY	OUTER CARTON QTY	CODE
Galvanised	9 (225)	¾ (19)	1	25	085 2251

Adjustable RSJ Field Gate Hanger for Metal Gates



FINISH	SUITABLE FOR	PIN/EYE Ø INS (MM)	MIN. ORDER QTY	OUTER CARTON QTY	CODE
Galvanised	4 - 7" RSJ	¾ (19)	1	10	095 0001

Gate Hanger With Pin for Metal Field Gates

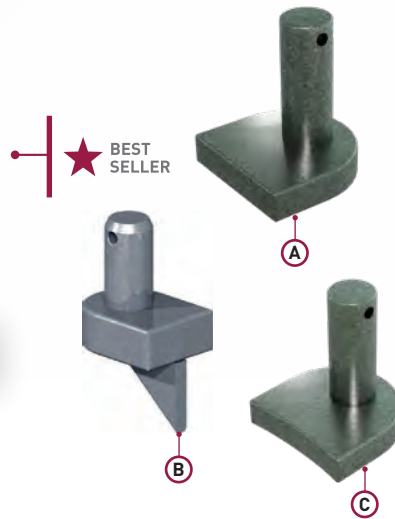


DESC	FINISH	SIZE INS (MM)	PIN Ø INS (MM)	MIN. ORDER QTY	OUTER CARTON QTY	CODE
Flush Hanger (A)	Galvanised	6 (150)	5/8 (16)	1	10	P30 3401
Extended (B)	Galvanised	6 (150)	5/8 (16)	1	10	P30 3501

Gate Hook to Weld

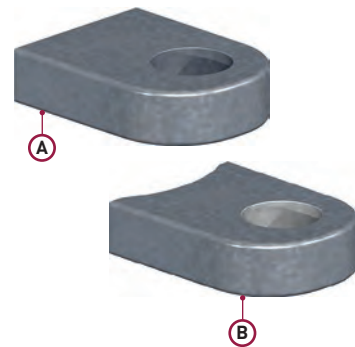
DESC	FINISH	PIN Ø INS (MM)	MIN. ORDER QTY	INNER CARTON QTY	OUTER CARTON QTY	CODE
Flat Base (A)	Self Colour	½ (12)	1	50	300	046 0124
Flat Base (A)	Self Colour	⅝ (16)	1	10	50	046 0164
Flat Base (A)*	Self Colour	¾ (19)	1	10	50	046 1194
Flat Base (A)	Self Colour	¾ (19)	1	10	50	046 0194
Flat Base (A)	Self Colour	⅞ (22)	1	10	50	046 0224
Flat Base (A)	Self Colour	1 (25)	1	10	30	046 0254
Flat Base (B)	Self Colour	1¼ (32)	1	-	10	046 0324
Radius Base (C)	Self Colour	¾ (19)	1	10	50	046 2194

*Designed for use with field gate top bands



Gate Eye to Weld

DESC	FINISH	EYE Ø INS (MM)	MIN. ORDER QTY	INNER CARTON QTY	OUTER CARTON QTY	CODE
Flat Base (A)	Self Colour	½ (12)	1	50	300	047 0124
Flat Base (A)	Self Colour	⅝ (16)	1	10	100	047 0164
Flat Base (A)	Self Colour	¾ (19)	1	10	100	047 0194
Flat Base (A)	Self Colour	⅞ (22)	1	10	100	047 0224
Flat Base (A)	Self Colour	1 (25)	1	10	50	047 0254
Flat Base (A)	Self Colour	1¼ (32)	1	-	25	047 0324
Radius Base (B)	Self Colour	¾ (19)	1	10	100	047 2194



DuraPost[®]
BY BIRKDALE

ALUMINIUM GATE KIT

VERSATILE DESIGN

All the kit you need to make an entrance

Every project is different, which is why we've designed a gate that adjusts to any outside space. The DuraPost Aluminium Gate Kit combines privacy and security with flexibility.

COLOURS



PAGE
248



Adjustable Gate Eye with 2 Nuts



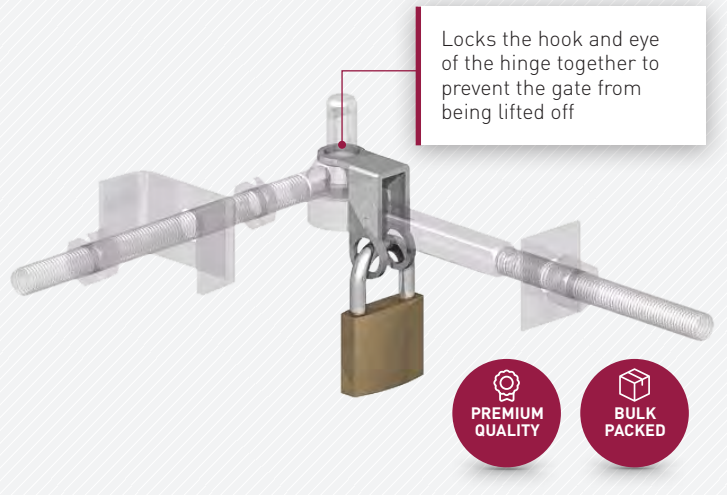
Superior quality steel adjustable gate eye bolts with two nuts. Designed for field and farm gates, these gate eyes are compatible with our wide range of gate hooks. Adjustable gate eyes can be bolted directly through steel gate stiles, but for timber gates an adjustable bottom fitting is commonly used

FINISH	THREAD GAUGE	THREAD LENGTH TO CENTRE OF EYE INS (MM)	SUITABLE FOR PIN INS (MM)	MIN. ORDER QTY	OUTER CARTON QTY	CODE
Galvanised	M12	4 (100)	½ (12)	1	100	049 4121
Galvanised	M16	4 (100)	⅝ (16)	1	50	049 4161
Galvanised	M20	5 (125)	¾ (20)	1	25	049 4201
Galvanised	M16	6 (150)	⅝ (16)	1	50	049 6161
Galvanised	M20	6 (150)	¾ (20)	1	25	049 6201
Galvanised	M22	7 (180)	⅞ (22)	1	25	049 6221
Galvanised	M20	6 (150)	⅞ (22)	1	25	049 6241
Galvanised	M24	7 (180)	1 (25)	1	25	049 6251
Galvanised	M30	6.8 (175)	1¼ (32)	1	10	049 6321
Galvanised	M20	9 (230)	¾ (20)	1	25	049 8201
Galvanised	M22	9 (230)	⅞ (22)	1	25	049 8221
Galvanised	M20	8 (200)	⅞ (22)	1	25	049 8241
Galvanised	M24	9 (230)	1 (25)	1	20	049 8251
Galvanised	M30	8.7 (220)	1¼ (32)	1	10	049 8321
Galvanised	M20	10 (250)	¾ (20)	1	25	049 1201
BZP	M12	4 (100)	½ (12)	1	100	049 4122
BZP	M16	4 (100)	⅝ (16)	1	50	049 4162
BZP	M20	5 (125)	¾ (20)	1	25	049 4202
BZP	M12	6 (150)	½ (12)	1	100	049 6122
BZP	M16	6 (150)	⅝ (16)	1	50	049 6162
BZP	M20	6 (150)	¾ (20)	1	25	049 6202
BZP	M20	8 (200)	¾ (20)	1	25	049 8202
BZP	M20	10 (250)	¾ (20)	1	25	049 1202
Epoxy Black	M12	4 (100)	½ (12)	1	100	049 4123
Epoxy Black	M16	4 (100)	⅝ (16)	1	50	049 4163
Epoxy Black	M20	5 (125)	¾ (20)	1	25	049 4203
Epoxy Black	M12	6 (150)	½ (12)	1	100	049 6123
Epoxy Black	M16	6 (150)	⅝ (16)	1	50	049 6163
Epoxy Black	M20	6 (150)	¾ (20)	1	25	049 6203
Epoxy Black	M22	6 (150)	⅞ (22)	1	25	049 6223
Epoxy Black	M20	8 (200)	¾ (20)	1	25	049 8203
Epoxy Black	M22	8 (200)	⅞ (22)	1	25	049 8223
Epoxy Black	M20	10 (250)	¾ (20)	1	25	049 1203

Field Gate Hooks & Eyes

FIELD GATE ANTI-THEFT BRACKET

- Locks securely over hinge hook to prevent removal of gate
- Simple and convenient to install
- See page 18 for padlocks (sold separately)



Field Gate Anti Theft Bracket

Locks securely over pin to prevent removal of gate

FINISH	SUITABLE FOR	MIN. ORDER QTY	OUTER CARTON QTY	CODE
Galvanised	19mm pins	1	100	040 0001

Padlock not included.



Collar to Weld

FINISH	SIZE INS (MM)	PIN/EYE SIZE (MM)	MIN. ORDER QTY	OUTER CARTON QTY	CODE
Self Colour	1½ x 1½ (40 x 40)	21	1	50	048 0404
Self Colour	2 x 2 (50 x 50)	32	1	30	048 0504



Press-Fit Gate Security Collar

Locks onto hook to prevent removal of gate

FINISH	PIN/EYE Ø INS (MM)	MIN. ORDER QTY	OUTER CARTON QTY	CODE
Stainless Steel	5/8 (16)	1	10	040 0166
Stainless Steel	3/4 (19)	1	10	040 0196

Constructed from Grade 316 stainless steel



Field Gate Latches, Catches & Bolts

FOR
FIELD GATE
CATCH KITS,
SEE PAGES
29-30



Field Gate Self Locking Catch

FINISH	MIN. ORDER QTY	OUTER CARTON QTY	CODE
Galvanised	1	25	063 0001
Epoxy Black	1	25	063 0003

Field Gate Stand Off Self Locking Catch

FINISH	MIN. ORDER QTY	OUTER CARTON QTY	CODE
Galvanised	1	25	063 0011

Fixings included



Field Gate Self Locking Animal Safety Catch

FINISH	MIN. ORDER QTY	OUTER CARTON QTY	CODE
Galvanised	1	20	063 0111



Field Gate Mortice Gate Latch

FINISH	DESC	MIN. ORDER QTY	OUTER CARTON QTY	CODE
Galvanised	For 3" (75mm) stile	1	10	069 0751



Field Gate Hunting Type Locking Catch

FINISH	MIN. ORDER QTY	OUTER CARTON QTY	CODE
Galvanised	1	10	064 0001



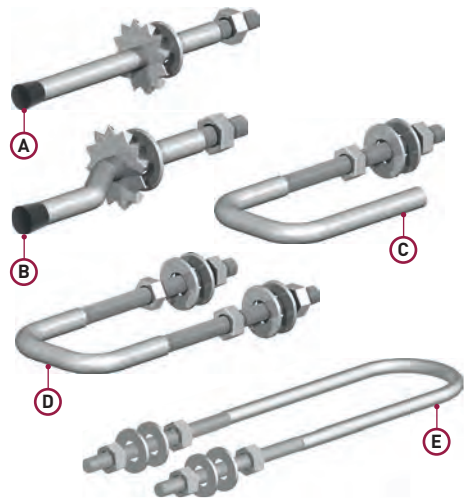
Field Gate Hunting Type Lift Catch

FINISH	MIN. ORDER QTY	OUTER CARTON QTY	CODE
Galvanised	1	10	064 0111



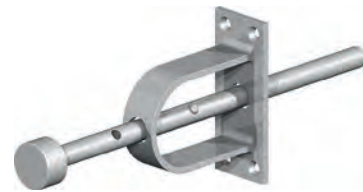
Striker for Self Locking Field Gate Catches

DESC	FINISH	MIN. ORDER QTY	INNER CARTON QTY	OUTER CARTON QTY	CODE
Straight Leg (A)	Galvanised	1	10	100	065 0041
Cranked Leg (B)	Galvanised	1	10	100	065 0011
Odd Leg (C)	Galvanised	1	10	60	065 0031
Double Leg (D)	Galvanised	1	10	50	065 0021
Heavy Duty Double Leg (E)	Galvanised	1	10	20	065 0051



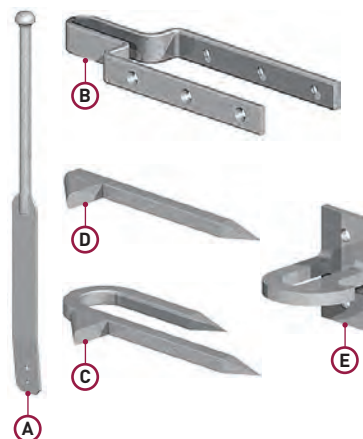
Field Gate Shoot Bolt

FINISH	MIN. ORDER QTY	OUTER CARTON QTY	CODE
Galvanised	1	20	066 0001

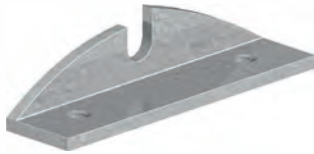


Field Gate Spring Fastener Set Accessories

DESC	FINISH	MIN. ORDER QTY	INNER CARTON QTY	OUTER CARTON QTY	CODE
Spring Latch (A)	Galvanised	1	10	20	067 0011
Keep (B)	Galvanised	1	10	30	067 0021
Heavy Duty Staple Catch (C)	Galvanised	1	10	40	067 0031
Single Drive Catch (D)	Galvanised	1	10	50	067 0041
Staple Catch on Plate (E)	Galvanised	1	-	10	067 0051



Field Gate Central Closing Catch



FINISH	MIN. ORDER QTY	INNER CARTON QTY	OUTER CARTON QTY	CODE
Galvanised	1	10	50	068 0001

Field Gate Uni-Latch Kit

KIT SUITABLE FOR WOODEN FIELD GATES ILLUSTRATED



DESC	FINISH	MIN. ORDER QTY	OUTER CARTON QTY	CODE
Suitable for Wooden Gates	Galvanised	1	4	092 0001
Suitable for Metal Gates	Galvanised	1	5	092 0021

Handle to be bought separately

Field Gate Uni-Latch Components & Accessories



DESC	FINISH	MIN. ORDER QTY	OUTER CARTON QTY	CODE
Straight Handle (A)	Galvanised	1	10	093 0001
U' Shaped Handle (B)	Galvanised	1	10	094 0001
Spring Latch (assembly only for Uni-Latch Wooden Field Gate Kit) (C)	Galvanised	1	8	092 0041
Spring Latch (assembly only for Uni-Latch Metal Field Gate Kit) (D)	Galvanised	1	20	092 0061
Stand Off Self Locking Gate Catch (E)	Galvanised	1	25	063 0011
Handle Retaining Bracket for Wooden Gates (F)	Galvanised	1	20	092 0051

Field Gate Uni-Latch 2 Way Self Locking Catch



FINISH	TO SUIT POST INS (MM)	MIN. ORDER QTY	OUTER CARTON QTY	CODE
Galvanised	7 x 7 (175 x 175)	1	10	092 0011

Includes Fixings & 2 Signs

Field Gate New Zealand Gate Fastener

FINISH	SIZE INS (MM)	MIN. ORDER QTY	INNER CARTON QTY	OUTER CARTON QTY	CODE
BZP	40 (1000)	1	5	30	071 1002
BZP	16½ (420)	1	5	50	071 4202



Field Gate Northumberland Gate Fastener

FINISH	SIZE INS (MM)	MIN. ORDER QTY	INNER CARTON QTY	OUTER CARTON QTY	CODE
Galvanised	16 (400)	1	10	50	071 3001



Field Gate Safety Gate Hook & Eye

FINISH	LENGTH INS (MM)	GAUGE (MM)	MIN. ORDER QTY	INNER CARTON QTY	OUTER CARTON QTY	CODE
Galvanised	6 (150)	8	1	10	50	070 0001



Sprung Slide Bolt for Metal Field Gates

FINISH	SIZE INS (MM)	MIN. ORDER QTY	OUTER CARTON QTY	CODE
Galvanised	12 (300)	1	10	092 0031



Spring for Sprung Field Gate Slide Bolt

FINISH	SIZE INS (MM)	MIN. ORDER QTY	OUTER CARTON QTY	CODE
BZP	4½ (115)	1	10	092 0031S



DuraPost[®]
BY BIRKDALE

URBAN SLATTED PANELS

CONTEMPORARY BACKDROP TO YOUR GARDEN

New architectural chic

An exciting new option for those looking for a more architectural style to define their space. DuraPost's new URBAN SLATTED PANELS bring a more contemporary look to garden boundaries.

COLOURS



PAGE
252



Field Gate Cast Gravity Catch for Timber Posts



FINISH	SIZE INS (MM)	MIN. ORDER QTY	OUTER CARTON QTY	CODE
Galvanised	16 (400)	1	5	073 0001

Field Gate Cast Gravity Catch to Concrete In



FINISH	MIN. ORDER QTY	OUTER CARTON QTY	CODE
Galvanised	1	5	074 0001
Epoxy Black	1	5	074 0003

Manchester Corporation Catch



FINISH	SIZE INS (MM)	MIN. ORDER QTY	INNER CARTON QTY	OUTER CARTON QTY	CODE
Galvanised	2 3/4 (70)	1	10	50	075 0701

Manchester Corporation Latch Bar



FINISH	SIZE INS (MM)	MIN. ORDER QTY	INNER CARTON QTY	OUTER CARTON QTY	CODE
Galvanised	10 (250)	1	10	50	075 2501

Drop Bolt for Metal Field Gates



DESC	FINISH	SIZE INS (MM)	MIN. ORDER QTY	OUTER CARTON QTY	CODE
Bolt-On (A)	Galvanised	22 (560)	1	5	099 2151
Clamp-On (B)	Galvanised	21 (540)	1	-	099 2161

Field Gate Throwover Loops

Throwover Loop for Metal Field Gates

FINISH	SIZE INS (MM)	MIN. ORDER QTY	OUTER CARTON QTY	CODE
Galvanised	14 (350)	1	2	099 2101
Galvanised	34 (860)*	1	2	099 2131

*34" (860mm) throwover loop is lockable



Flat Sided Throwover Loop for Metal Field Gates

FINISH	SIZE INS (MM)	MIN. ORDER QTY	OUTER CARTON QTY	CODE
Galvanised	30 (750)	1	5	099 2111



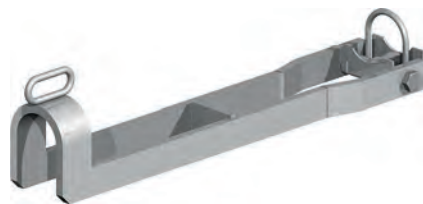
Heavy Duty Throwover Loop Lift 'N' Slide for Metal Field Gates

FINISH	SIZE INS (MM)	MIN. ORDER QTY	OUTER CARTON QTY	CODE
Galvanised	26 (660)	1	2	099 2121



Clamp on Throwover Loop for Metal Field Gates

FINISH	SIZE INS (MM)	MIN. ORDER QTY	CODE
Galvanised	18 (450)	1	099 2181



Field Gate Throwover Loop for 3" Gates

FINISH	SIZE INS (MM)	MIN. ORDER QTY	INNER CARTON QTY	CODE
Galvanised	6 (150)	1	10	060 1501
Galvanised	14 (350)	1	10	060 3501
Epoxy Black	14 (350)	1	10	060 3503



Field Gate Throwover Loop with Lifting Handle for 3" Gates



FINISH	SIZE INS (MM)	MIN. ORDER QTY	OUTER CARTON QTY	CODE
Galvanised	14 (350)	1	10	061 3501
Epoxy Black	14 (350)	1	10	061 3503

Field Gate Throwover Loop with Lifting Handle for 3" Gates



FINISH	SIZE INS (MM)	MIN. ORDER QTY	OUTER CARTON QTY	CODE
Galvanised	18 (450)	1	10	061 4501
Epoxy Black	18 (450)	1	10	061 4503

Includes lockable staple

Field Gate Throwover Loop for 2" Gates



FINISH	SIZE INS (MM)	MIN. ORDER QTY	OUTER CARTON QTY	CODE
Galvanised	12 (300)	1	20	062 3001
Epoxy Black	12 (300)	1	20	062 3003

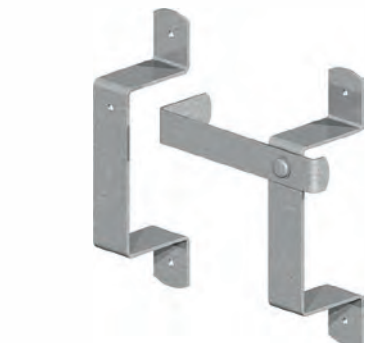
D' Bracket



DESC	FINISH	SIZE INS (MM)	MIN. ORDER QTY	INNER CARTON QTY	OUTER CARTON QTY	CODE
Standard	Galvanised	2½ (65)	1	10	50	078 0651
Heavy	Galvanised	3½ (90)	1	-	50	078 0801

Slip Rail Brackets

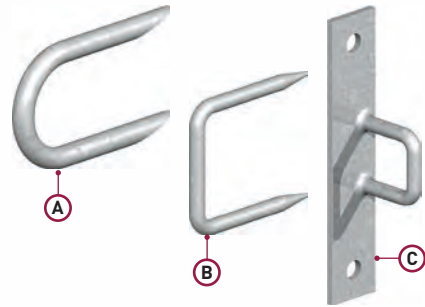
- Heavy duty - material 4mm thick
- Includes galvanised coach screws



FINISH	SUITABLE FOR	MIN. ORDER QTY	INNER CARTON QTY	OUTER CARTON QTY	CODE
Galvanised	up to 2 x 4" rails	1	10	30	072 0001

Gate Staple

DESC	FINISH	SIZE INS (MM)	MIN. ORDER QTY	INNER CARTON QTY	OUTER CARTON QTY	CODE
Round Pattern (A)	Galvanised	3 (75)	1	10	100	077 0751
Round Pattern (A)	Galvanised	4 (100)	1	10	100	077 1001
Round Pattern (A)	Galvanised	6 (150)	1	10	100	077 1501
Square Pattern (B)	Galvanised	4 (100)	1	10	50	079 1001
On Elongated Plate (C)	Galvanised	3 (75)	1	-	50	078 0751



Rail Brackets

FINISH	SIZE INS (MM)	MIN. ORDER QTY	INNER CARTON QTY	OUTER CARTON QTY	CODE
Galvanised	2 (50)	1	10	30	083 0501



Flake Staple

FINISH	SIZE INS (MM)	MIN. ORDER QTY	INNER CARTON QTY	OUTER CARTON QTY	CODE
Galvanised	4 (100)	1	10	50	079 1201



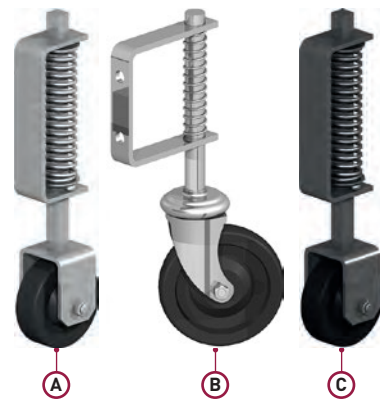
Devon Field Gate Drop

FINISH	SIZE INS (MM)	MIN. ORDER QTY	OUTER CARTON QTY	CODE
Galvanised	6 (150)	1	20	080 1501



Spring Loaded Gate Wheel

FINISH	SIZE INS (MM)	DESC	MIN. ORDER QTY	OUTER CARTON QTY	CODE
BZP (B)	11 (280)	Medium Duty	1	5	081 2802
Galvanised (A)	14½ (368)	Heavy Duty	1	5	081 3681
Epoxy Black (C)	14½ (368)	Heavy Duty	1	5	081 3683



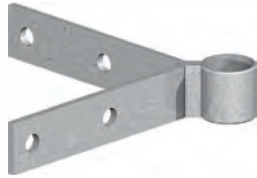
Field Gate Clamp On Wheel for Metal Gates

FINISH	SIZE INS (MM)	MIN. ORDER QTY	CODE
Galvanised	9 (225)	1	099 2171



Irish Field Gate Fittings

Field Gate Hanger with Eye on Corner for Metal Gates - 90° Angle



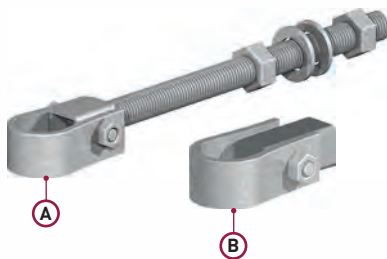
FINISH	SUITABLE FOR	DESC	PIN/EYE Ø INS (MM)	MIN. ORDER QTY	OUTER CARTON QTY	CODE
BZP	7 - 8" posts	Top Hinge	1 3/8 (35)	1	10	050 1812
BZP	7 - 8" posts	Bottom Hinge	1 3/8 (35)	1	10	050 1802

Field Gate Hanger to Bolt for Metal Gates



DESC	FINISH	SIZE INS (MM)	PIN Ø INS (MM)	MIN. ORDER QTY	OUTER CARTON QTY	CODE
Top Hinge	BZP	10 (250)	1 3/8 (35)	1	25	050 2512
Top Hinge	BZP	12 (300)	1 3/8 (35)	1	25	050 3012
Bottom Hinge	BZP	10 (250)	1 3/8 (35)	1	25	050 2502
Bottom Hinge	BZP	12 (300)	1 3/8 (35)	1	25	050 3002

Removable Field Gate Hanger for Metal Gates



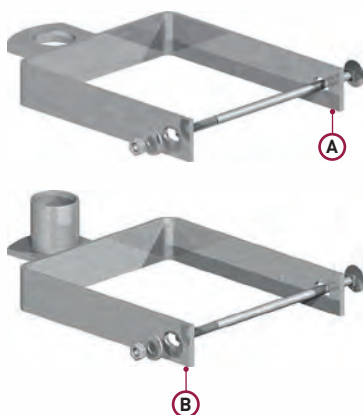
DESC	FINISH	SIZE INS (MM)	PIN/EYE Ø INS (MM)	MIN. ORDER QTY	OUTER CARTON QTY	CODE
to Bolt (A)	Galvanised	12 (300)	1 3/8 (35)	1	25	050 3011
to Weld (B)	Galvanised	12 (300)	1 3/8 (35)	1	40	050 3021

Eyebolt Field Gate Hanger for Metal Gates



FINISH	SIZE INS (MM)	DIAMETER	PIN/EYE Ø INS (MM)	MIN. ORDER QTY	OUTER CARTON QTY	CODE
Galvanised	12 (300)	5/8 (16)	1 3/8 (35)	1	25	051 3001

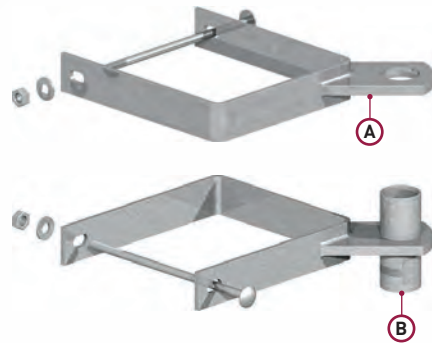
Square Post Field Gate Hanger for Metal Gates



DESC	FINISH	SIZE INS (MM)	PIN/EYE Ø INS (MM)	MIN. ORDER QTY	OUTER CARTON QTY	CODE
Top Hinge (A)	Galvanised	6 (150)	1 3/8 (35)	1	10	052 4351
Top Hinge (A)	Galvanised	7 (175)	1 3/8 (35)	1	10	052 6351
Top Hinge (A)	Galvanised	8 (200)	1 3/8 (35)	1	10	052 8351
Bottom Hinge (B)	Galvanised	6 (150)	1 3/8 (35)	1	10	052 5351
Bottom Hinge (B)	Galvanised	7 (175)	1 3/8 (35)	1	10	052 7351
Bottom Hinge (B)	Galvanised	8 (200)	1 3/8 (35)	1	10	052 9351

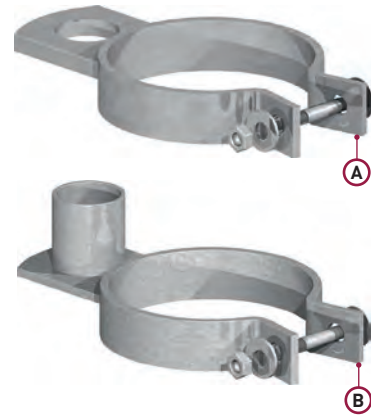
Square Post Field Gate Hanger with Eye on Corner for Metal Gates

DESC	FINISH	SIZE INS (MM)	PIN/EYE Ø INS (MM)	MIN. ORDER QTY	OUTER CARTON QTY	CODE
Top Hinge (A)	Galvanised	7 (175)	1 3/8 (35)	1	20	052 0351
Top Hinge (A)	Galvanised	8 (200)	1 3/8 (35)	1	20	052 0361
Bottom Hinge (B)	Galvanised	7 (175)	1 3/8 (35)	1	10	052 1351
Bottom Hinge (B)	Galvanised	8 (200)	1 3/8 (35)	1	10	052 1361



Tubular Post Field Gate Hanger for Metal Gates

DESC	FINISH	SIZE INS (MM)	PIN/EYE Ø INS (MM)	MIN. ORDER QTY	OUTER CARTON QTY	CODE
Top Hinge (A)	BZP	4 1/2 (115)	1 3/8 (35)	1	20	052 2352
Top Hinge (A)	BZP	6 (150)	1 3/8 (35)	1	20	052 2012
Top Hinge (A)	BZP	7 (175)	1 3/8 (35)	1	20	052 2112
Top Hinge (A)	BZP	8 (200)	1 3/8 (35)	1	20	052 2212
Bottom Hinge (B)	BZP	4 1/2 (115)	1 3/8 (35)	1	20	052 3352
Bottom Hinge (B)	BZP	6 (150)	1 3/8 (35)	1	20	052 2002
Bottom Hinge (B)	BZP	7 (175)	1 3/8 (35)	1	20	052 2102
Bottom Hinge (B)	BZP	8 (200)	1 3/8 (35)	1	20	052 2202



Half Round Gate Hanger Kit for Metal Gates

FINISH	SUITABLE FOR	PIN/EYE Ø INS (MM)	MIN. ORDER QTY	OUTER CARTON QTY	CODE
Galvanised	6 - 8" posts	1 3/8 (35)	1	10	052 1751

Includes: top and bottom gate hangers and fixings. Suits 150-200mm diameter post



RSJ Field Gate Hanger for Metal Gates

DESC	FINISH	PIN/EYE Ø INS (MM)	MIN. ORDER QTY	OUTER CARTON QTY	CODE
Top Hinge	BZP	1 3/8 (35)	1	25	052 0352
Bottom Hinge	BZP	1 3/8 (35)	1	25	052 1352





Bullnose Field Gate Hanger for Metal Gates



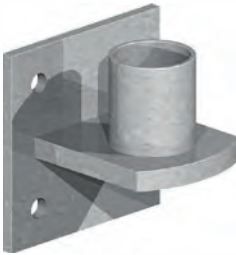
DESC	FINISH	PIN/EYE Ø INS (MM)	MIN. ORDER QTY	OUTER CARTON QTY	CODE
Top Hinge	BZP	1 3/8 (35)	1	25	052 1452
Bottom Hinge	BZP	1 3/8 (35)	1	25	052 1552

Horizontal Field Gate Hanger for Metal Gates



DESC	FINISH	PIN/EYE Ø INS (MM)	MIN. ORDER QTY	OUTER CARTON QTY	CODE
Top Hinge	Galvanised	1 3/8 (35)	1	25	052 1712
Bottom Hinge	Galvanised	1 3/8 (35)	1	25	052 1702

Square Plate Field Gate Hanger for Metal Gates



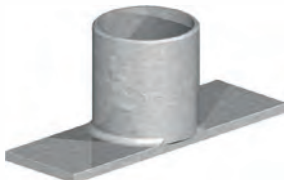
DESC	FINISH	PIN/EYE Ø INS (MM)	MIN. ORDER QTY	OUTER CARTON QTY	CODE
Top Hinge	Galvanised	1 3/8 (35)	1	25	052 1051
Bottom Hinge	Galvanised	1 3/8 (35)	1	25	052 1151

Vertical Field Gate Hanger for Metal Gates



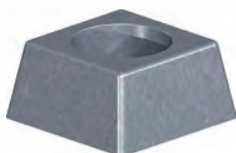
DESC	FINISH	SUITABLE FOR	PIN/EYE Ø INS (MM)	MIN. ORDER QTY	OUTER CARTON QTY	CODE
Top Hinge	Galvanised	7 - 8"	1 3/8 (35)	1	25	052 1812
Bottom Hinge	Galvanised	7 - 8"	1 3/8 (35)	1	25	052 1802

Field Gate Hanger to Concrete In for Metal Gates



FINISH	PIN/EYE Ø INS (MM)	MIN. ORDER QTY	OUTER CARTON QTY	CODE
BZP	1 3/8 (35)	1	25	052 1902

Field Gate Cast Heel to Concrete In for Metal Gates



FINISH	PIN/EYE Ø INS (MM)	MIN. ORDER QTY	INNER CARTON QTY	OUTER CARTON QTY	CODE
Self Colour	1 3/8 (35)	1	10	50	052 2254

GATE AUTOMATION ACCESSORIES

Gatamate® Easi-Fit Adjustable Gate Post System

FINISH	SIZE (MM)	PIN/EYE Ø INS (MM)	MIN. ORDER QTY	CODE
Premium Black	2440 x 150 x 150	¾ (19)	20	800 2443



Gatamate® Easi-Fit Adjustable Gate Post System - Standard Hinge Set

FINISH	SIZE INS (MM)	PIN/EYE Ø INS (MM)	MAX LOAD (KG)	MIN. ORDER QTY	CODE
Premium Black	12 (300)	¾ (19)	200	1	801 0193



Gatamate® Easi-Fit Adjustable Gate Post System - Top Pivot Hinge

FINISH	SIZE INS (MM)	DESC	MAX LOAD (KG)	MIN. ORDER QTY	CODE
Premium Black	16 (400)	Right Hand	250	1	801 4003
Premium Black	16 (400)	Left Hand	250	1	801 4013



Gatamate® Easi-Fit Adjustable Gate Post System - Bottom Pivot Hinge

FINISH	SIZE INS (MM)	DESC	MAX LOAD (KG)	MIN. ORDER QTY	CODE
Premium Black	16 (400)	Right Hand	250	1	801 4023
Premium Black	16 (400)	Left Hand	250	1	801 4033



PREMIUM FINISH RANGE

Stainless Steel Range

Stainless steel is an iron alloy with high levels of chromium; giving it an external layer that is virtually rust free. Our premium range products are made from marine grade 316 stainless steel – ideal for coastal and other high-moisture environments.

ALL OUR
STAINLESS STEEL
PRODUCTS ARE
316 MARINE
GRADE

See page 76 for table of loading applications for hinges.

Weighty Scotch Tee Hinges



FINISH	SIZE INS (MM)	LOAD APPL.	UNIT QTY	MIN. ORDER QTY	OUTER CARTON QTY	CODE
Stainless Steel	12 (300)	C	1 Pair	1 Pair	10 Pairs	004 3006

Straight Band & Hook on Plate



FINISH	SIZE INS (MM)	LOAD APPL.	UNIT QTY	MIN. ORDER QTY	OUTER CARTON QTY	CODE
Stainless Steel	18 (450)	C	1 Pair	1 Pair	5 Pairs	006 4506

Cranked Band & Hook on Plate



FINISH	SIZE INS (MM)	LOAD APPL.	UNIT QTY	MIN. ORDER QTY	OUTER CARTON QTY	CODE
Stainless Steel	18 (450)	C	1 Pair	1 Pair	5 Pairs	007 4506
Stainless Steel	24 (600)	C	1 Pair	1 Pair	2 Pairs	007 6006

Adjustable Band & Hook on Plate



These robust hinges provide full adjustability, allowing the installer to both align gates during fitting and also adjust after fitting to compensate for gate drop over time.

FINISH	SIZE INS (MM)	LOAD APPL.	UNIT QTY	MIN. ORDER QTY	CODE
Stainless Steel	18 (450)	C	1 Pair	1 Pair	008 4506
Stainless Steel	24 (600)	C	1 Pair	1 Pair	008 6006
Stainless Steel	36 (900)	D	1 Pair	1 Pair	008 9006

1 pair includes: 2 x bands, 2 x adjustable gate eyes and 2 x hooks on plates

Heavy Duty Gothic Suffolk Latch

FINISH	MIN. ORDER QTY	OUTER CARTON QTY	CODE
Stainless Steel	1	10	123 0036



Ring Gate Latch

FINISH	SIZE INS (MM)	MIN. ORDER QTY	OUTER CARTON QTY	CODE
Stainless Steel	6 (150)	1	10	124 1506



Cast Pattern Cabin Hook

FINISH	SIZE INS (MM)	MIN. ORDER QTY	INNER CARTON QTY	CODE
Stainless Steel	4 (100)	1	10	136 1006



Brenton Padbolt with 1/2" Shoot

FINISH	SIZE INS (MM)	MIN. ORDER QTY	OUTER CARTON QTY	CODE
Stainless Steel	6 (150)	1	30	103 1506



Brenton Padbolt with 5/8" Shoot

FINISH	SIZE INS (MM)	MIN. ORDER QTY	OUTER CARTON QTY	CODE
Stainless Steel	8 (200)	1	20	104 2006



Heavy Locking Garage Door Bolt

Includes lockable hasp and staple and receiver plate



FINISH	SIZE INS (MM)	MIN. ORDER QTY	OUTER CARTON QTY	CODE
Stainless Steel	18 x 5/8 (450 x 16)	1	10	117 4506

Premium Black Range

A 'hot-dip' galvanised finish with a black polyester powder coating on top. This double layer results in a high level of corrosion resistance.

See page 76 for table of loading applications for hinges.

Medium Tee Hinges



FINISH	SIZE INS (MM)	LOAD APPL.	UNIT QTY	MIN. ORDER QTY	OUTER CARTON QTY	CODE
Premium Black	18 (450)	B	1 Pair	10 Pairs	20 Pairs	002 450B

Strong Tee Hinges



FINISH	SIZE INS (MM)	LOAD APPL.	UNIT QTY	MIN. ORDER QTY	CODE
Premium Black	18 (450)	C	1 Pair	10 Pairs	003 450B
Premium Black	24 (600)	C	1 Pair	5 Pairs	003 600B

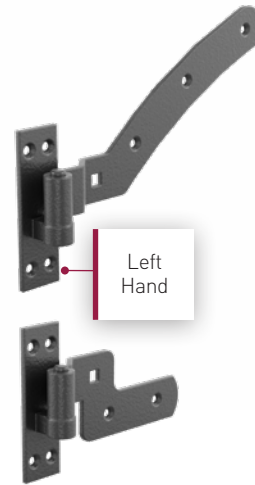
Cranked Band & Hook on Plate



FINISH	SIZE INS (MM)	LOAD APPL.	UNIT QTY	MIN. ORDER QTY	OUTER CARTON QTY	CODE
Premium Black	18 (450)	C	1 Pair	1 Pair	5 Pairs	007 450B
Premium Black	24 (600)	C	1 Pair	1 Pair	2 Pairs	007 600B
Premium Black	30 (750)	D	1 Pair	1 Pair	2 Pairs	007 750B
Premium Black	36 (900)	D	1 Pair	1 Pair	2 Pairs	007 900B

Cranked Curve Rail Hinge Sets

DESC	FINISH	SIZE INS (MM)	LOAD APPL.	UNIT QTY	MIN. ORDER QTY	CODE
Left Handed	Premium Black	12 (300)	B	1 Pair	1 Pair	026 000B
Right Handed	Premium Black	12 (300)	B	1 Pair	1 Pair	026 001B



Adjustable Band & Hook on Plate

These robust hinges provide full adjustability, allowing the installer to both align gates during fitting and also adjust after fitting to compensate for gate drop over time

FINISH	SIZE INS (MM)	LOAD APPL.	UNIT QTY	MIN. ORDER QTY	OUTER CARTON QTY	CODE
Premium Black	18 (450)	C	1 Pair	1 Pair	-	008 450B
Premium Black	24 (600)	C	1 Pair	1 Pair	2 Pairs	008 600B
Premium Black	30 (750)	D	1 Pair	1 Pair	2 Pairs	008 750B
Premium Black	36 (900)	D	1 Pair	1 Pair	-	008 900B

1 pair includes: 2 x bands, 2 x adjustable gate eyes and 2 x hooks on plates



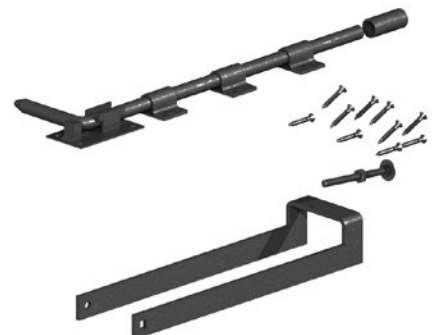
Heavy Reversible Hinges

FINISH	SIZE INS (MM)	LOAD APPL.	UNIT QTY	MIN. ORDER QTY	OUTER CARTON QTY	CODE
Premium Black	18 (450)	C	1 Pair	1 Pair	5 Pairs	017 450B
Premium Black	24 (600)	C	1 Pair	1 Pair	2 Pairs	017 600B
Premium Black	36 (900)	D	1 Pair	1 Pair	2 Pairs	017 900B



Field Gate Double Fastener Set

FINISH	SIZE INS	MIN. ORDER QTY	OUTER CARTON QTY	CODE
Premium Black	18" Garage Door Bolt 14" Throwover Loop	1	10	038 000B



Field Gate Spring Fastener Set with Staple Catch



FINISH	SIZE INS (MM)	MIN. ORDER QTY	OUTER CARTON QTY	CODE
Premium Black	24 (600)	1	10	036 000B

Field Gate Double Strap Band for 3" Gates



FINISH	SIZE INS (MM)	SUITABLE FOR	MIN. ORDER QTY	OUTER CARTON QTY	CODE
Premium Black	24 (600)	3" gates	1	8	053 600B

Field Gate Hook on Plate



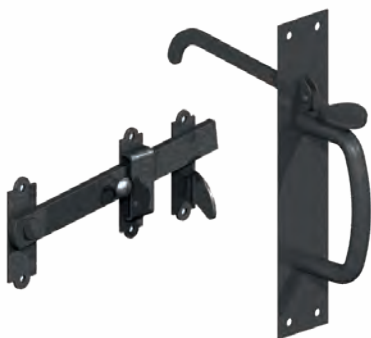
FINISH	SIZE INS (MM)	PIN Ø INS (MM)	MIN. ORDER QTY	OUTER CARTON QTY	CODE
Premium Black	4 x 4 (100 x 100)	3/4 (19)	1	25	042 419B

Field Gate Adjustable Hook on Plate



FINISH	SIZE INS (MM)	PIN Ø INS (MM)	MIN. ORDER QTY	OUTER CARTON QTY	CODE
Premium Black	4 x 4 (100 x 100)	3/4 (19)	1	10	042 519B

Suffolk Latch with Long Thumb Bit



FINISH	GAUGE	MIN. ORDER QTY	OUTER CARTON QTY	CODE
Premium Black	Heavy	5	50	123 002B

Ring Gate Latch

FINISH	SIZE INS (MM)	MIN. ORDER QTY	OUTER CARTON QTY	CODE
Premium Black	5 (125)	5	40	124 125B
Premium Black	6 (150)	5	40	124 150B



Cast Pattern Cabin Hook

FINISH	SIZE INS (MM)	MIN. ORDER QTY	CODE
Premium Black	8 (200)	10	136 200B



Brenton Padbolt with 1/2" Shoot

FINISH	SIZE INS (MM)	MIN. ORDER QTY	OUTER CARTON QTY	CODE
Premium Black	6 (150)	5	50	103 150B
Premium Black	8 (200)	5	50	103 200B



Brenton Padbolt with Elongated Keep & 5/8" Shoot

FINISH	SIZE INS (MM)	MIN. ORDER QTY	OUTER CARTON QTY	CODE
Premium Black	8 (200)	5	30	104 201B



Garage Door Bolt

FINISH	SIZE INS (MM)	MIN. ORDER QTY	OUTER CARTON QTY	CODE
Premium Black	18 (450)	1	20	116 450B
Premium Black	24 (600)	1	20	116 600B



ORNAMENTAL RANGE

See page 76 for table of loading applications for hinges.

Ornamental Hinge Front (Arrow)



FINISH	SIZE INS (MM)	UNIT QTY	MIN. ORDER QTY	CODE
Dull Black	16 (400)	1 Pair	5 Pairs	154 4003

Ornamental Tee Hinges



FINISH	SIZE INS (MM)	LOAD APPL.	UNIT QTY	MIN. ORDER QTY	CODE
Dull Black	6 (150)	A	1 Pair	5 Pairs	150 1503
Dull Black	9 (225)	A	1 Pair	5 Pairs	150 2253
Dull Black	12 (300)	A	1 Pair	5 Pairs	150 3003

Ornamental Heavy Duty Tee Hinges



FINISH	SIZE INS (MM)	LOAD APPL.	UNIT QTY	MIN. ORDER QTY	CODE
Dull Black	12 (300)	B	1 Pair	10 Pairs	174 3003
Dull Black	14 (350)	B	1 Pair	10 Pairs	174 3503
Dull Black	16 (400)	B	1 Pair	10 Pairs	174 4003
Dull Black	18 (450)	B	1 Pair	10 Pairs	174 4503

Ornamental Fleur De Lys Tee Hinges



FINISH	SIZE INS (MM)	LOAD APPL.	UNIT QTY	MIN. ORDER QTY	OUTER CARTON QTY	CODE
Dull Black	12 (300)	B	1 Pair	5 Pairs	10 Pairs	151 3003

Ornamental Butterfly Hinges



FINISH	SIZE INS (MM)	LOAD APPL.	UNIT QTY	MIN. ORDER QTY	OUTER CARTON QTY	CODE
Dull Black	2¾ x 2 (70 x 50)	A	1 Pair	10 Pairs	100 Pairs	152 7053

Ornamental Unequal Hinges

FINISH	SIZE INS (MM)	LOAD APPL.	UNIT QTY	MIN. ORDER QTY	OUTER CARTON QTY	CODE
Dull Black	4 x 3 (100 x 75)	A	1 Pair	10 Pairs	100 Pairs	153 1003



Ornamental Suffolk Latch

FINISH	SIZE INS (MM)	MIN. ORDER QTY	OUTER CARTON QTY	CODE
Dull Black	6 (150)	5	20	164 1503



Ornamental Ring Gate Latch

FINISH	SIZE INS (MM)	MIN. ORDER QTY	OUTER CARTON QTY	CODE
Dull Black	8 (200)	1	10	125 2003
Dull Black	10 (250)	1	10	125 2503
Premium Black	8 (200)	1	10	125 200B
Galvanised	8 (200)	1	10	125 2001
Galvanised	10 (250)	1	10	125 2501



Ornamental Ring Handle Only

FINISH	SIZE INS (MM)	MIN. ORDER QTY	INNER CARTON QTY	CODE
Galvanised	4 (100)	1	5	125 0751
Dull Black	4 (100)	1	5	125 0753



Ornamental Cast Pattern Cabin Hooks



FINISH	SIZE INS (MM)	MIN. ORDER QTY	OUTER CARTON QTY	CODE
Dull Black	6 (150)	10	100	159 1503

Ornamental Heavy Duty Drop Bolts



FINISH	SIZE INS (MM)	SHOOT SIZE INS (MM)	MIN. ORDER QTY	OUTER CARTON QTY	CODE
Epoxy Black	24 (600)	5/8 (16)	1	10	118 6003
Galvanised	24 (600)	5/8 (16)	1	10	118 6001

Ornamental Straight Door Bolts



FINISH	SIZE INS (MM)	MIN. ORDER QTY	OUTER CARTON QTY	CODE
Dull Black	6 (150)	10	50	157 1503

Ornamental Lever Lock Handles



FINISH	SIZE INS (MM)	SPINDLE LENGTH INS (MM)	UNIT QTY	MIN. ORDER QTY	OUTER CARTON QTY	CODE
Dull Black	6 x 2 (150 x 50)	3 (75)	1 Pair	1 Pair	5 Pairs	155 1503

Ornamental Fleur De Lys Lever Lock Handles



FINISH	SIZE INS (MM)	SPINDLE LENGTH INS (MM)	CODE
Dull Black	7 x 2 (175 x 50)	3 (75)	156 1753

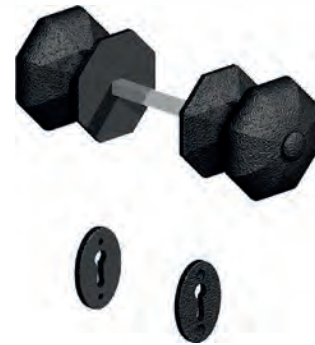
Ornamental Fleur De Lys Lever Lock Handles

FINISH	SIZE INS (MM)	SPINDLE LENGTH INS (MM)	UNIT QTY	MIN. ORDER QTY	OUTER CARTON QTY	CODE
Dull Black	7 x 2 (175 x 50)	3 (75)	1 Pair	1 Pair	5 Pairs	156 1753



Ornamental Cast Octagonal Door Knob Furniture

FINISH	SIZE INS (MM)	SPINDLE LENGTH INS (MM)	MIN. ORDER QTY	OUTER CARTON QTY	CODE
Dull Black	2 (50)	3 (75)	1	5	175 0503



Ornamental Numerals

DESC	FINISH	SIZE INS (MM)	MIN. ORDER QTY	OUTER CARTON QTY	CODE
No. 0	Dull Black	3 (75)	1	10	170 0030
No. 1	Dull Black	3 (75)	1	10	170 0031
No. 2	Dull Black	3 (75)	1	10	170 0032
No. 3	Dull Black	3 (75)	1	10	170 0033
No. 4	Dull Black	3 (75)	1	10	170 0034
No. 5	Dull Black	3 (75)	1	10	170 0035
No. 6	Dull Black	3 (75)	1	10	170 0036
No. 7	Dull Black	3 (75)	1	10	170 0037
No. 8	Dull Black	3 (75)	1	10	170 0038
No. 9	Dull Black	3 (75)	1	10	170 0039



Ornamental Door Studs

FINISH	SIZE INS (MM)	MIN. ORDER QTY	OUTER CARTON QTY	CODE
Dull Black	¾ (19)	25	100	162 0193



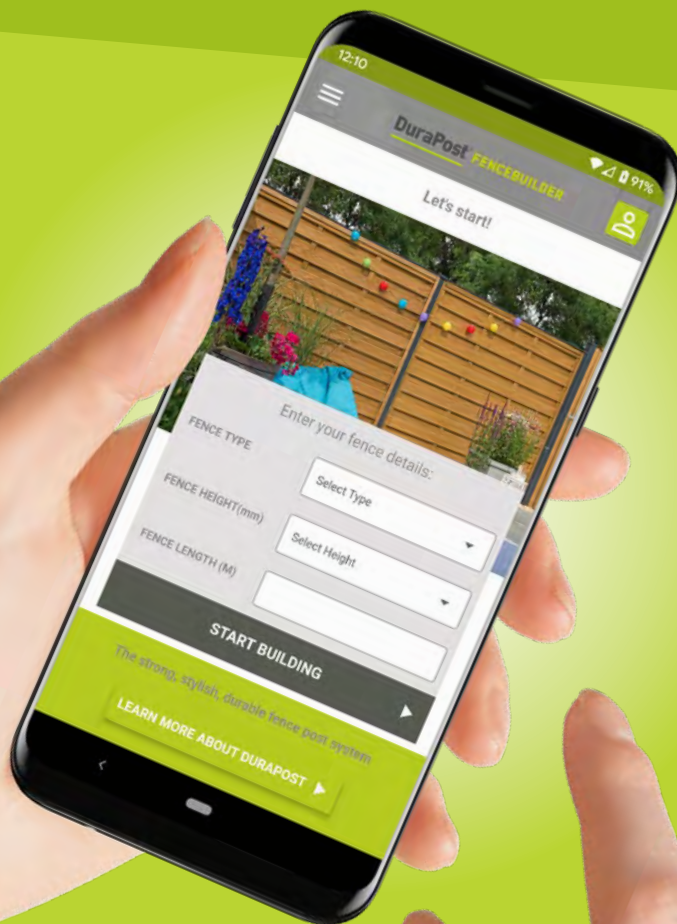
Ornamental Casement Stay

FINISH	SIZE INS (MM)	MIN. ORDER QTY	OUTER CARTON QTY	CODE
Dull Black	10 (250)	10	100	158 2503



Build your dream fence with the DuraPost[®] FenceBuilder App

DuraPost[®] is the revolutionary steel fence post which is widely becoming recognised as the go-to system for all domestic fence installations.



Our latest App enables homeowners to design their own fence in seconds and then email yourself the list of DuraPost[®] parts required to turn it into a reality.



Whether it's a DIY installation or you'd like help from a professional DuraPost[®] Trained Installer, take a look at durapost.co.uk for more information and advice.



We've also created a DuraPost[®] Trained Installer login making it simpler and quicker for fencing contractors across the UK and Ireland to quote whilst planning the project with their customer.

AVAILABLE ON APPLE AND ANDROID DEVICES



Download on the
App Store



GET IT ON
Google Play



Find out more information at: durapost.co.uk

USING THE APP IS SIMPLE

- 1 Choose whether to build-on-site fencing or pre-assembled panels
- 2 Choose between traditional wooden or composite fencing, the fence height and length and start building!
- 3 Then choose the desired DuraPost[®] post colour
- 4 Select which style of gravel board needed (and how many)
- 5 Want some added style? Customise the fence design with post caps, capping rail and cover strips
- 6 If the design includes corners, gates or adjoins a wall, select your requirements
- 7 Easily keep track of build lists and know what's needed for any project



Create an account in the DuraPost[®] FenceBuilder App and you'll be able to come back at any stage to view any previous build lists.



Map out everything you need for a project and an itemised product list will be automatically generated for you

FENCEMATE®

BY BIRKDALE



FENCEMATE® FENCING
& DECKING ACCESSORIES

A COMPREHENSIVE RANGE OF FENCING + DECKING ACCESSORIES

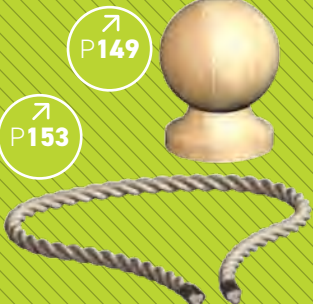
141 Post Concrete

142 Post Support Systems

148 Decorative Post Caps & Finials

152 Decorative Rope & Fittings

156 Decking Accessories





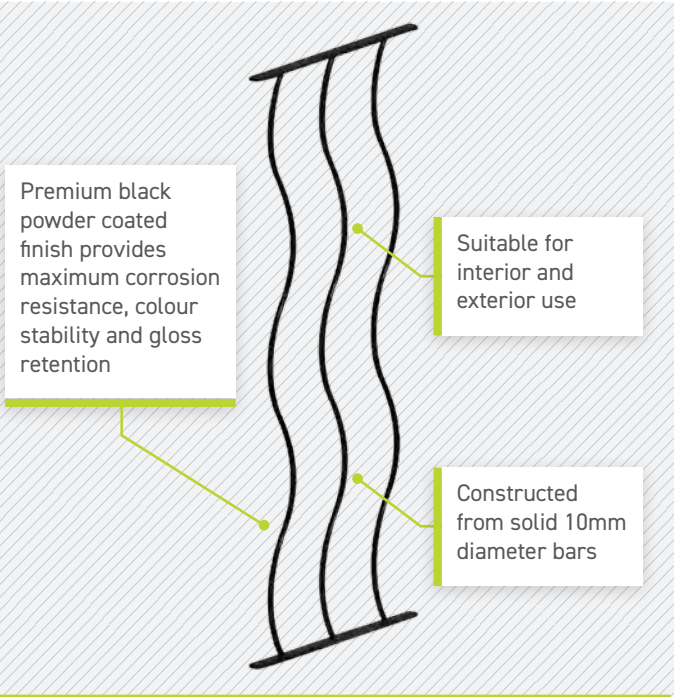
FENCEMATE® FENCING
& DECKING ACCESSORIES

CURVED METAL DECKING PANEL

(811 0003)

Our stylish curved metal decking panel helps to transform your outdoor living space, providing a timeless and modern finish to your garden.

Just like all our metal decking panels, they are hot dip galvanised then epoxy black powder coated for a great rust resistant finish. The powder coating is a thermoset polymer, which is used to create a hard finish that is tougher than conventional paint. If the product is fitted correctly and installed with no prior damage, we expect a service life of approximately 15 years.



DuraPost®

BY BIRKDALE

ALUMINIUM GATE KIT

VERSATILE DESIGN

All the kit you need to make an entrance

Every project is different, which is why we've designed a gate that adjusts to any outside space. The DuraPost Aluminium Gate Kit combines privacy and security with flexibility.

COLOURS



PAGE
248



FENCEMATE® POST CONCRETE

FENCEMATE®
BY BIRKDALE

FAST SET POST CONCRETE

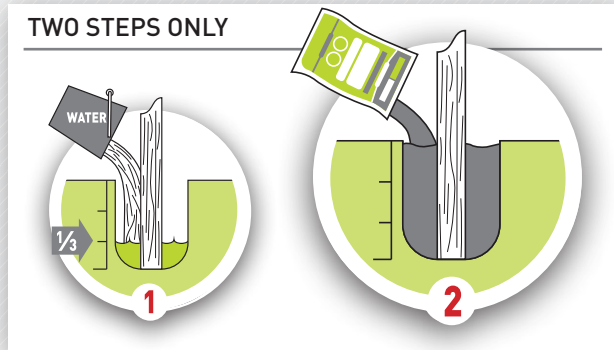
Available in 10, 15 and 20 pallet quantities
Please call for delivery times in your area



Waterproof, brick shaped, recyclable bags for neat and easy yard storage - stack our Premium range four pallets high!



TWO STEPS ONLY



FENCEMATE® Fast Set Post Concrete

DESC	BAG WEIGHT	MIN. ORDER QTY	PALLET QTY	CODE
Premium Fine	20kg	1 Pallet	70 Bags	279 1000
Premium Coarse	20kg	1 Pallet	70 Bags	279 2000



FENCEMATE® POST SUPPORT SYSTEMS

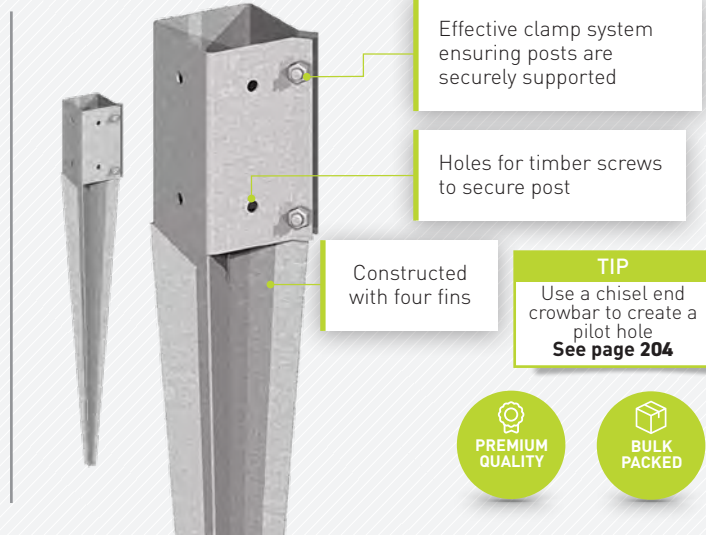
Swift Clamp Post Supports

FENCEMATE®
BY BIRKDALE

SWIFT CLAMP DRIVE-IN POST SUPPORT

Suitable for most ground conditions, with a wide range of sizes to fit all common timber posts including prepared timber.

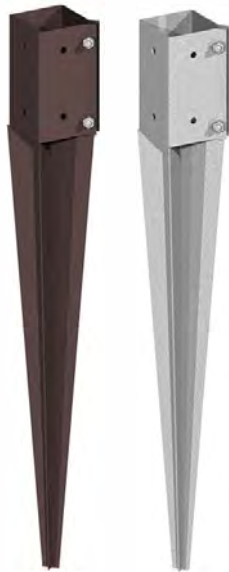
- Suitable for fence posts, decking, pergolas, gazebos, carports, bird tables and much more
- Robust construction ensures they will drive into very hard ground with ease
- Available in galvanised and epoxy brown finish



FENCEMATE® FENCING & DECKING ACCESSORIES

FENCEMATE® Swift Clamp Drive-In Post Support

- These supports are suitable for most ground conditions and the wide range of sizes fits all common timber posts
- Robust construction, including four fins/blades ensures they will drive into very hard ground with ease
- The effective clamp system holds the post securely in the socket



BEST SELLER ★

BEST SELLER ★

**HOLD FAST
POST
SUPPORTS
ON PAGE 145!**

FINISH	LENGTH INS (MM)	SUITABLE FOR	MIN. ORDER QTY	CODE
Epoxy Brown	18 (450)	2" posts **	10	260 0503
Epoxy Brown	24 (600)	2¾" posts*	10	260 0703
Epoxy Brown	24 (600)	3" posts	10	260 0753
Epoxy Brown	30 (750)	3" posts	10	260 1753
Epoxy Brown	24 (600)	3½" posts*	8	260 0903
Epoxy Brown	30 (750)	4" posts	8	260 1003
Galvanised	18 (450)	2" posts **	10	260 0501
Galvanised	24 (600)	2¾" posts*	10	260 0701
Galvanised	24 (600)	3" posts	10	260 0751
Galvanised	30 (750)	3" posts	10	260 1751
Galvanised	24 (600)	3½" posts*	8	260 0901
Galvanised	30 (750)	4" posts	8	260 1001

*For use with finished size timber posts.

**Post supports for 2" posts do not have swift clamp system.

FENCEMATE® Swift Clamp Repair Spur

- Make light work of replacing a rotten timber post in a sound concrete base
- The repair spur drives between the old timber and the concrete base to provide a secure post support
- The effective clamp system ensures the posts are securely held in the socket

FINISH	SUITABLE FOR	MIN. ORDER QTY	CODE
Epoxy Brown	3" posts	10	261 0753
Epoxy Brown	4" posts	10	261 1003
Galvanised	3" posts	10	261 0751
Galvanised	4" posts	10	261 1001



FENCEMATE®
BY BIRKDALE

Repair Spur

A unique metal profile ensures the FENCEMATE® repair spur is strong, easy to install and designed to prevent further damage to existing wooden posts. Designed for use with wooden posts.

Flexes to absorb the load, preventing any damage from occurring

Varied hole spacing provides flexibility when fixing the repair spur

Unique metal profile provides maximum strength

Slim line profile makes this easier to dig around and secure to the post



FENCEMATE® Repair Spur

LENGTH (MM)	SIZE (MM) *	FINISH	MIN. ORDER QTY	CODE
1000	75	Galvanised / Grey	1	806 0011

* a x b



FENCEMATE® BY BIRKDALE

SWIFT CLAMP BOLT-DOWN POST SUPPORT

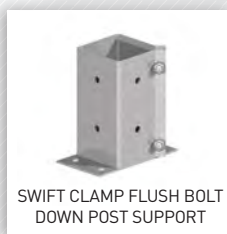
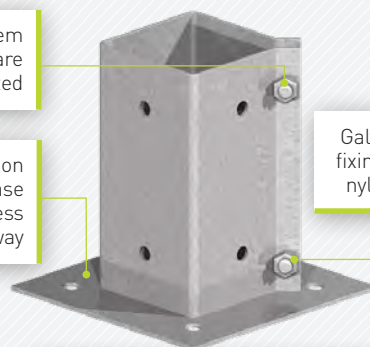
Designed for fixing posts to any solid surface that will accept fixings; such as concrete bases, timber decking or walls

- Domestic and light commercial use only
- Robust construction
- Available with flush sides for fixing directly next to a vertical surface
- Available in galvanised or epoxy brown finish

Effective clamp system ensuring posts are securely supported

Features hole on underside of base plate to allow excess water to drain away

Galvanised fixings with nyloc nuts



SWIFT CLAMP FLUSH BOLT DOWN POST SUPPORT

See page **244** for M10 Masonry Bolts to use with bolt down post supports



FENCEMATE® Swift Clamp Bolt Down Post Support

Suitable for fencing, decking, carports and fixing to walls.



BEST SELLER ★

BEST SELLER ★

SEE PAGE 145
FOR MORE POST
SUPPORTS!

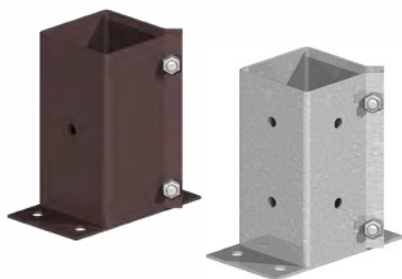
FINISH	SUITABLE FOR	MIN. ORDER QTY	CODE
Epoxy Brown	2" posts**	10	262 0503
Epoxy Brown	2¾" posts*	10	262 0703
Epoxy Brown	3" posts	10	262 0753
Epoxy Brown	3½" posts*	10	262 0903
Epoxy Brown	4" posts	10	262 1003
Epoxy Brown	6" posts	6	262 1503
Galvanised	2" posts**	10	262 0501
Galvanised	2¾" posts*	10	262 0701
Galvanised	3" posts	10	262 0751
Galvanised	3½" posts*	10	262 0901
Galvanised	4" posts	10	262 1001
Galvanised	6" posts	6	262 1501

*For use with finished size timber posts.

**Post supports for 2" posts do not have swift clamp system.

FENCEMATE® Swift Clamp Flush Bolt Down Post Support

- Designed for fixing posts directly next to a vertical surface, such as a wall
- The effective clamp system holds the post securely in the socket



FINISH	SUITABLE FOR	MIN. ORDER QTY	CODE
Epoxy Brown	3" posts	10	264 0753
Epoxy Brown	4" posts	10	264 1003
Galvanised	3" posts	10	264 0751
Galvanised	4" posts	10	264 1001

FENCEMATE® Swift Clamp Concrete-In Post Support

- This support is designed for use where conditions prevent the use of a drive in post support; such as very stoney or loose ground or areas of hardstanding
- The effective clamp system holds the post securely in the socket
- Suitable for fencing, decking and carports

FINISH	SUITABLE FOR	MIN. ORDER QTY	CODE
Epoxy Brown	3" posts	10	263 0753
Epoxy Brown	4" posts	10	263 1003
Galvanised	4" posts	10	263 1001



FENCEMATE® Swift Clamp Wall Mount Post Support

- Designed specifically for securing posts to the top of concrete or brick walls
- The effective clamp system holds the post securely in the socket
- Suitable for trellis or fencing up to 1.2m high

FINISH	SUITABLE FOR	MIN. ORDER QTY	CODE
Epoxy Brown	3" posts	10	268 0753
Galvanised	3" posts	10	268 0751



Hold Fast Post Supports

FENCEMATE® Hold Fast Drive-In Post Support

- These supports are suitable for most ground conditions
- Robust construction ensures they will drive into very hard ground with ease
- The effective ridge system holds the post securely in the socket
- Suitable for fence posts, decking, pergolas, gazebos, carports, bird tables and much more

FINISH	LENGTH INS (MM)	SUITABLE FOR	MIN. ORDER QTY	CODE
Epoxy Brown	24 (600)	3" posts	10	269 0753
Epoxy Brown	30 (750)	4" posts	8	269 1003
Galvanised	24 (600)	3" posts	10	269 0751
Galvanised	30 (750)	4" posts	8	269 1001



FOR DRIVE IN TOOLS, SEE PAGE 147

TIP
Use a chisel end crowbar to create a pilot hole
See page 204

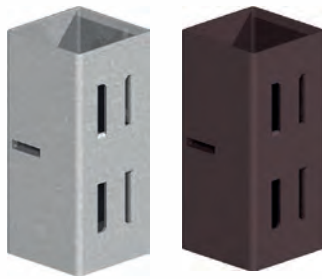
FENCEMATE® Hold Fast Bolt Down Post Support



- Designed for fixing posts to any hard surface that will accept fixings such as concrete bases, timber decking or walls
- Robust construction and the effective ridge system ensure posts are securely supported
- Suitable for fencing, decking and carports
- Domestic and light commercial use only

FINISH	SUITABLE FOR	MIN. ORDER QTY	CODE
Epoxy Brown	3" posts	10	271 0753
Epoxy Brown	4" posts	10	271 1003
Galvanised	3" posts	10	271 0751
Galvanised	4" posts	10	271 1001

FENCEMATE® Hold Fast Post Extender



- These effective extension sockets make light work of extending timber posts
- Sturdy and simple to install, they will extend 3" or 4" posts up to 1.2m long

FINISH	SUITABLE FOR	MIN. ORDER QTY	CODE
Epoxy Brown	3" posts	10	267 0753
Epoxy Brown	4" posts	10	267 1003
Galvanised	3" posts	10	267 0751
Galvanised	4" posts	10	267 1001

FENCEMATE® Ground Socket to Concrete-In



These robust ground sockets are ideal for supporting timber posts for decking or carports etc. and hold the timber above ground level to prevent the post from rotting.

FINISH	SUITABLE FOR	MIN. ORDER QTY	CODE
Galvanised	4 - 6" posts	5	273 0001

Adjustable Bolt-Down Post Supports



FINISH	SIZE (MM)*	MIN. ORDER QTY	CODE
BZP	110 x 250	10	298 1102
BZP	80 x 250	10	298 0802

*Base plate x height

Concrete-In U Post Support

FINISH	SIZE (MM)	SUITABLE FOR	MIN. ORDER QTY	CODE
Galvanised	76	3" Post	10	296 0751
Galvanised	101	4" Post	10	296 1001



Bolt-Down U Post Support

FINISH	SIZE (MM)	SUITABLE FOR	MIN. ORDER QTY	CODE
Galvanised	76	3" Post	10	297 0751
Galvanised	100	4" Post	10	297 1001



FENCEMATE® Post Extender

- These simple cost-effective angle brackets allow any size of post to be extended up to 1m
- It is recommended that four are used on each post
- Suitable for extending posts for trellis and decorative panels

FINISH	SIZE INS (MM)	UNIT QTY	MIN. ORDER QTY	OUTER CARTON QTY	CODE
Pre-Galvanised	8 (200)	Pack of 4	10 Packs	30 Packs	267 2007



FENCEMATE® Fence Pin

- These sturdy pins are ideal for supporting path edging or border roll
- They drive effectively into most ground conditions
- Suitable for path edging, log roll, and fence base boards

FINISH	SIZE INS (MM)	MIN. ORDER QTY	OUTER CARTON QTY	CODE
Pre-Galvanised	18 (450)	10	50	266 4507



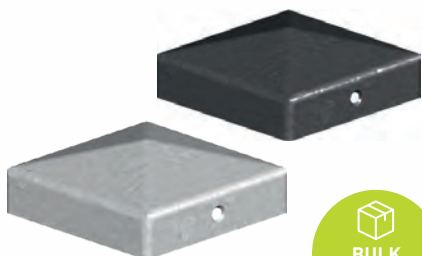
FENCEMATE® Drive-In Tool

- This useful tool helps ensure FENCEMATE® Drive in Post Supports are installed safely and without damage
- Features metal plate on bottom for reinforcement
- Handle can be twisted to re-adjust positioning while support is going into the ground

SUITABLE FOR	MIN. ORDER QTY	CODE
Up to 3" posts	10	265 0753
4" posts	10	265 1003



FENCEMATE® DECORATIVE POST CAPS & FINIALS



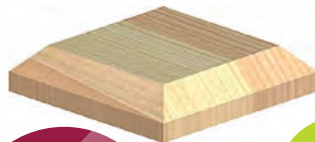
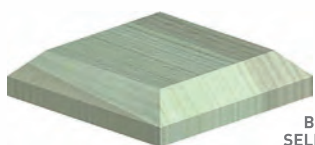
FENCEMATE® Metal Post Caps

Durable steel post cap, the perfect finishing touch for any post.

FINISH	SUITABLE FOR	MIN. ORDER QTY	CODE
Premium Black	3" posts	25	728 0753
Premium Black	4" posts	25	729 1003
Galvanised	3" posts	25	728 0751
Galvanised	4" posts	25	729 1001

FENCEMATE® Wooden Post Cap

Made from premium quality slow grown European timber, pressure treated to UC4. This results in a closer grain for a smoother finish - no splitting!



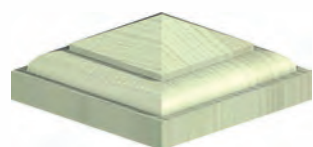
PREMIUM SANDED FINISH
REQUEST A SAMPLE FROM YOUR ACCOUNT MANAGER TODAY!

FINISH	SIZE (MM)	SUITABLE FOR	MIN. ORDER QTY	CODE
Brown Treated	96 x 96 x 23	3" posts	50	728 075B
Brown Treated	120 x 120 x 26	4" posts	50	729 100B
Brown Treated	96 x 120 x 23	4 x 3" posts	50	730 100B
Green Treated	96 x 96 x 23	3" posts	50	728 075G
Green Treated	120 x 120 x 26	4" posts	50	729 100G
Green Treated	96 x 120 x 23	4 x 3" posts	50	730 100G
Untreated	96 x 96 x 23	3" posts	50	728 0750
Untreated	120 x 120 x 26	4" posts	50	729 1000

Please note: 'Suitable for' size indicates size of compatible post; actual product is slightly larger - please take care when ordering

FENCEMATE® Wooden Post Templates

- Made from premium quality slow grown European timber, pressure treated to UC4
- Complete with double ended screws (fixed in the base)



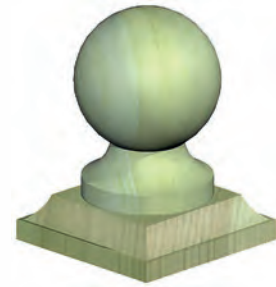
FINISH	SIZE (MM)	SUITABLE FOR	MIN. ORDER QTY	CODE
Green Treated	100 x 100 x 45	3" posts	50	731 075G
Green Treated	126 x 126 x 50	4" posts	50	731 100G
Untreated	100 x 100 x 45	3" posts	50	731 0750
Untreated	126 x 126 x 50	4" posts	50	731 1000

Please note: 'Suitable for' size indicates size of compatible post; actual product is slightly larger - please take care when ordering

FENCEMATE® Wooden Ball & Collar Finial Base Set

- Made from premium quality slow grown European timber, pressure treated to UC4
- Pre-packed with two finials, two bases, two double ended screws and four nails

FINISH	SUITABLE FOR	UNIT QTY	MIN. ORDER QTY	OUTER CARTON QTY	CODE
Green Treated	3" posts	Pack of 2	1 Pack	5 Packs	821 075G
Green Treated	4" posts	Pack of 2	1 Pack	5 Packs	821 100G

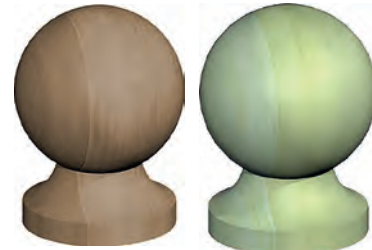


Wooden ball

FENCEMATE® Wooden Ball & Collar Finials

- Made from premium quality slow grown European timber, pressure treated to UC4
- Complete with double ended screws

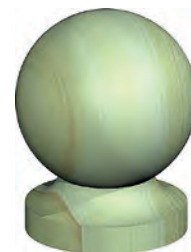
FINISH	SUITABLE FOR	MIN. ORDER QTY	OUTER CARTON QTY	CODE
Brown Treated	3" posts	1	50	720 075B
Brown Treated	4" posts	1	50	720 100B
Green Treated	2" posts	1	50	720 050G
Green Treated	3" posts	1	50	720 075G
Green Treated	4" posts	1	50	720 100G
Green Dipped	6" posts	1	1	720 150G
Untreated	3" posts	1	50	720 0750
Untreated	4" posts	1	50	720 1000



FENCEMATE® Wooden Midball Finials

- Made from premium quality slow grown European timber, pressure treated to UC4
- Complete with double ended screws

FINISH	SUITABLE FOR	MIN. ORDER QTY	OUTER CARTON QTY	CODE
Green Treated	4" posts	1	50	725 100G



FENCEMATE® Wooden Acorn Finial & Base Set



- Made from premium quality slow grown European timber, pressure treated to UC4
- Pre-packed with two finials, two bases, two double ended screws and four nails

FINISH	SUITABLE FOR	UNIT QTY	MIN. ORDER QTY	OUTER CARTON QTY	CODE
Green Treated	4" posts	Pack of 2	1 Pack	5 Packs	823 100G

FENCEMATE® Wooden Acorn Finials



- Made from premium quality slow grown European timber, pressure treated to UC4
- Complete with double ended screws

FINISH	SUITABLE FOR	MIN. ORDER QTY	OUTER CARTON QTY	CODE
Brown Treated	3" posts	1	50	722 075B
Brown Treated	4" posts	1	50	722 100B
Green Treated	3" posts	1	50	722 075G
Green Treated	4" posts	1	50	722 100G
Untreated	3" posts	1	50	722 0750
Untreated	4" posts	1	50	722 1000

FENCEMATE® Wooden Midacorn Finials



- Made from premium quality slow grown European timber, pressure treated to UC4
- Complete with double ended screws

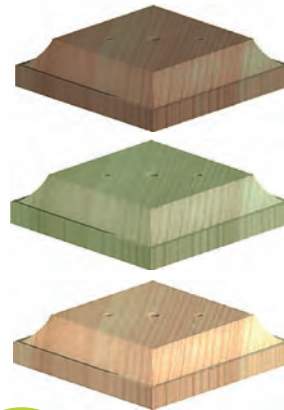
FINISH	SUITABLE FOR	MIN. ORDER QTY	OUTER CARTON QTY	CODE
Green Treated	4" posts	1	50	726 100G

FENCEMATE® Post Base for Wooden Finials

- Made from premium quality slow grown European timber, pressure treated to UC4
- Predrilled

FINISH	SUITABLE FOR	MIN. ORDER QTY	OUTER CARTON QTY	CODE
Brown Treated	3" posts	1	50	727 075B
Brown Treated	4" posts	1	50	727 100B
Brown Treated	5" posts	1	50	727 125B
Green Treated	2" posts	1	50	727 050G
Green Treated	3" posts	1	50	727 075G
Green Treated	4" posts	1	50	727 100G
Green Treated	6" posts	1	50	727 150G
Untreated	3" posts	1	50	727 0750

Please note: 'Suitable for' size indicates size of compatible post; actual product is slightly larger - please take care when ordering



FENCEMATE® FENCING & DECKING ACCESSORIES

FENCEMATE® Metal Ball Finials

Durable steel ball finial; the perfect decorative addition to any post.

FINISH	SUITABLE FOR	MIN. ORDER QTY	CODE
Premium Black	3" posts	12	720 0753
Premium Black	4" posts	12	720 1003
Galvanised	3" posts	12	720 0751
Galvanised	4" posts	12	720 1001



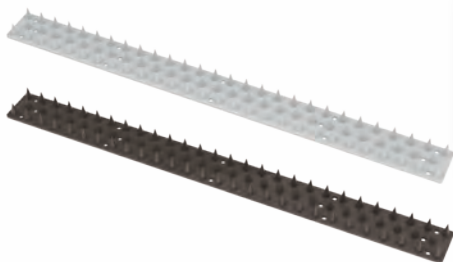
FENCEMATE® Double Ended Woodscrews

Used to secure finials to post bases.

FINISH	LENGTH INS (MM)	MIN. ORDER QTY	OUTER CARTON QTY	CODE
BZP	2 (50)	50	2000	431 0000



FENCEMATE® Deterrent Spikes



- Effective, low cost deterrent against unwelcome intruders
- Triple row of pointed cones
- Moulded from polypropylene
- UV resistant
- Suitable for the top of fences, gates, walls and window sills

WARNING
THESE PREMISES ARE
PROTECTED BY AN
ANTI-INTRUDER DEVICE
PERSONAL INJURY MAY
RESULT FROM
UNAUTHORISED ACCESS



DESC	SIZE (MM)	FINISH	TOTAL LENGTH (M)	UNIT QTY	MIN. ORDER QTY	OUTER CARTON QTY	CODE
Deterrent Spikes	500 x 45	Grey	1	Pack of 2	5 Packs	-	848 5008
Deterrent Spikes	500 x 45	Brown	1	Pack of 2	5 Packs	-	848 5003
Deterrent Spikes*	500 x 45	Grey	5	Pack of 10	1 Pack	20 Packs	715 5008
Deterrent Spikes*	500 x 45	Brown	5	Pack of 10	1 Pack	20 Packs	715 5003
Warning Sign	85 x 55	White	-	Pack of 1	1 Pack	-	719 1100

*Deterrent Spikes packs include warning signs.

FENCEMATE® DECORATIVE ROPE & FITTINGS

**3 STRAND
MANILA ROPE**

Made from natural plant materials native to the Philippines, bring a rustic finish to your garden.

- Available pre-packed, coiled or on a spool
- Range of decorative hooks and ends also available - see page 154
- When hanging manila rope between posts we recommend you allow an extra 10% length to compensate for natural shrinkage when wet



Pre-packed for easy display



FENCEMATE® Pre-Coiled 3 Strand Manila Rope



LENGTH (M)	DIAMETER (MM)	MIN. ORDER QTY	CODE
6	24	1	860 0240
6	28	1	860 0280
8	24	1	861 0240
8	28	1	861 0280
12	24	1	862 0240
12	28	1	862 0280

Please note: Manila rope will naturally shrink when wet. When hanging rope between posts, we recommend you allow an extra 10% length to compensate for this. When drilling holes in posts for rope, we recommend allowing up to 5mm more than the diameter of rope.

FENCEMATE® 3 Strand Manila Rope

100m and 220m coils can include rope cutting instructions and tape to bind the end of cut rope on request.

LENGTH (M)	DIAMETER (MM)	PACK TYPE	MIN. ORDER QTY	CODE
35	24	SPOOL	1	323 0240
35	28	SPOOL	1	323 0280
50	32	COIL	1	323 0320
50	40	COIL	1	323 0400
100	24	COIL	1	321 0240
220	24	COIL	1	320 0240
220	28	COIL	1	320 0280
220	32	COIL	1	320 0320

Please note: Manila rope will naturally shrink when wet. When hanging rope between posts, we recommend you allow an extra 10% length to compensate for this. When drilling holes in posts for rope, we recommend allowing up to 5mm more than the diameter of rope.



FENCEMATE® Pre-Coiled 3 Strand Polyhemp Rope

LENGTH (M)	DIAMETER (MM)	MIN. ORDER QTY	CODE
6	24	1	863 0240
6	28	1	863 0280
8	24	1	864 0240
8	28	1	864 0280
12	24	1	865 0240
12	28	1	865 0280



FENCEMATE® 3 Strand Polyhemp Rope

100m and 220m coils can include rope cutting instructions and tape to bind the end of cut rope on request.

LENGTH (M)	DIAMETER (MM)	PACK TYPE	MIN. ORDER QTY	CODE
35	24	SPOOL	1	329 0240
35	28	SPOOL	1	329 0280
35	32	SPOOL	1	329 0320
100	24	COIL	1	328 0240
100	28	COIL	1	328 0280
220	24	COIL	1	326 0240
220	28	COIL	1	326 0280



**ALL OUR ROPE
FITTINGS ARE
SOLID BRASS**



**PRE
PACKED**

FENCEMATE® Decorative Ends for Rope Handrails - Bags

• Also includes tape to bind end of cut rope

FINISH	SUITABLE FOR	UNIT QTY	MIN. ORDER QTY	INNER CARTON QTY	CODE
Brass	24mm rope	Pack of 2	1 Pack	5 Packs	850 0245
Brass	28mm rope	Pack of 2	1 Pack	5 Packs	850 0285
Chrome on Brass	24mm rope	Pack of 2	1 Pack	5 Packs	850 024C
Chrome on Brass	28mm rope	Pack of 2	1 Pack	5 Packs	850 028C

FENCEMATE® Decorative Hook & Eye on Plate for Rope Handrails - Bags

• Also includes tape to bind end of cut rope



**PRE
PACKED**

FINISH	SUITABLE FOR	MIN. ORDER QTY	INNER CARTON QTY	CODE
Brass	24mm rope	1	5	857 0245
Brass	28mm rope	1	5	857 0285
Chrome on Brass	24mm rope	1	5	857 024C
Chrome on Brass	28mm rope	1	5	857 028C

FENCEMATE® Decorative Brackets for Rope Handrails - Bags

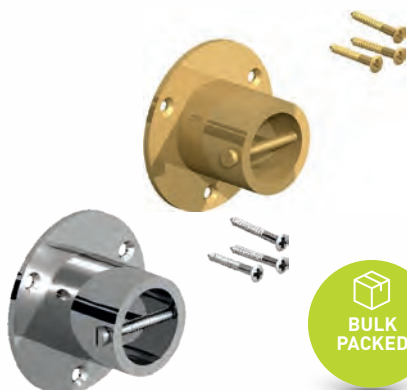


**PRE
PACKED**

FINISH	SUITABLE FOR	UNIT QTY	MIN. ORDER QTY	INNER CARTON QTY	CODE
Brass	24mm rope, 28mm rope	Pack of 2	1 Pack	5 Packs	858 0245
Chrome on Brass	24mm rope, 28mm rope	Pack of 2	1 Pack	5 Packs	858 024C

FENCEMATE® Decorative Ends for Rope Handrails - Bulk Packed

Bulk packed with all fixings included.



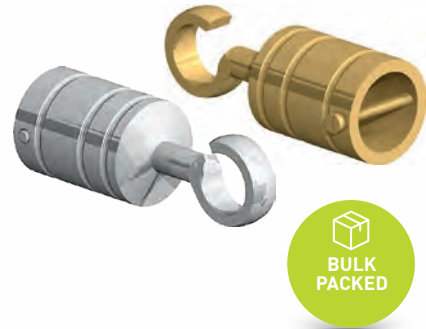
**BULK
PACKED**

FINISH	SUITABLE FOR	MIN. ORDER QTY	OUTER CARTON QTY	CODE
Brass	24mm rope	10	100	351 0245
Brass	28mm rope	10	100	351 0285
Chrome on Brass	24mm rope	10	100	351 024C
Chrome on Brass	28mm rope	10	100	351 028C

FENCEMATE® Decorative Hooks for Rope Handrails - Bulk Packed

Bulk packed with all fixings included.

FINISH	SUITABLE FOR	MIN. ORDER QTY	OUTER CARTON QTY	CODE
Brass	24mm rope	10	100	353 0245
Brass	28mm rope	10	100	353 0285
Chrome on Brass	24mm rope	10	100	353 024C
Chrome on Brass	28mm rope	10	100	353 028C



FENCEMATE® Decorative Eye on Plates for Rope Handrails - Bulk Packed

Bulk packed with all fixings included.

FINISH	MIN. ORDER QTY	OUTER CARTON QTY	CODE
Brass	10	100	355 0005
Chrome on Brass	10	100	355 000C

To be used with FENCEMATE® Decorative Hooks



FENCEMATE® Decorative Brackets for Rope Handrails - Bulk Packed

Bulk packed with all fixings included.

FINISH	SUITABLE FOR	MIN. ORDER QTY	OUTER CARTON QTY	CODE
Brass	24mm rope & 28mm rope	10	100	359 0245
Chrome on Brass	24mm rope & 28mm rope	10	100	359 024C



FENCEMATE® Rope Post

4 Way Weathered

FINISH	SIZE (MM)	SUITABLE FOR	DESC	MIN. ORDER QTY	PALLET QTY	CODE
Green Treated	980 x 75 x 75	Max rope diameter 28mm	Drilled	1	160	370 980G
Green Treated	980 x 75 x 75		No Hole	1	160	371 980G



FENCEMATE® DECORATIVE DECKING ACCESSORIES

FENCEMATE®
BY BIRKDALE

METAL DECKING PANELS

Our metal decking panels are hot dip galvanised then epoxy black powder coated for a great rust resistant finish.



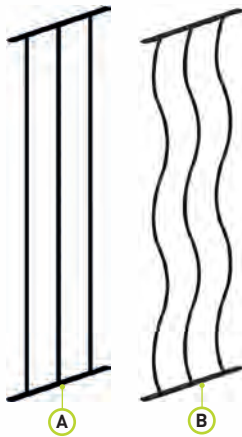
CURVED

STRAIGHT

FENCEMATE® Metal Decking Panels

DESC	FINISH	SIZE (MM)*	MIN. ORDER QTY	OUTER CARTON QTY	CODE
Straight (A)	Premium Black	770 x 280	4	12	810 0003
Curved (B)	Premium Black	770 x 280	4	12	811 0003

*Height x width
Total span of 4 panels = 1120mm



FENCEMATE®
BY BIRKDALE

Merchandising stands

Discover one of the largest ranges of post support systems on the market!

T 0345 450 9000 **E** mail@birkdalsales.com



FENCEMATE
BY BIRKDALE

ALUMINIUM DECKING SPINDLES



ARC

CLASSIC

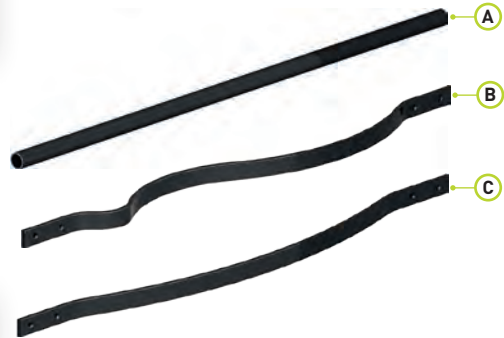
BAROQUE

FENCEMATE® Aluminium Decking Spindle

- Premium aluminium construction for greater corrosion resistance
- Matching black fixings included

DESC	FINISH	SIZE (MM)	MIN. ORDER QTY	OUTER CARTON QTY	CODE
Classic (A)	Black	660	10	210	820 0010
Classic (A)	Black	800	10	180	820 0020
Baroque (B)	Black	820	5	75	820 0070
Arc (C)	Black	800	5	75	820 0080

Please note: 10 spindles cover 1.2m



FENCEMATE® Spindle Connectors

For use with FENCEMATE® Classic Spindles.

DESC	FINISH	UNIT QTY	MIN. ORDER QTY	CODE
Straight (A)	Black	Pack of 20	1 Pack	820 0030
Stairs (B)*	Black	Pack of 20	1 Pack	820 0040

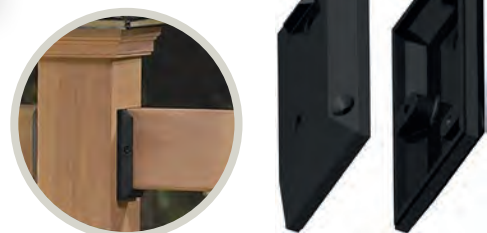
Please note: 2 connectors required per spindle; 1 pack covers 1.2m.
*Up to 45°



FENCEMATE® Railing Connectors

- A smart and easy solution for fixing top and bottom rails to newel posts
- Fixings included

FINISH	SIZE (MM)	UNIT QTY	MIN. ORDER QTY	CODE
Plastic	40 x 75	Pack of 2	1 Pack	819 0000

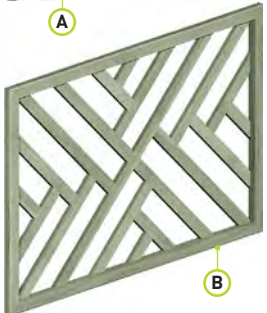


FENCEMATE® Wooden Decking Panels

- Made from premium quality slow grown European timber, pressure treated to UC4
- Constructed using stainless steel fixings



A



B

BEST
SELLER



DESC	FINISH	SIZE (MM)	MIN. ORDER QTY	PALLET QTY	CODE
Burst of Sunshine (A)	Green Treated	1130 x 760	32	32	755 000G
Contemporary (B)	Green Treated	1130 x 760	32	32	755 001G

FENCEMATE® Wooden Decking Spindle

Made from premium quality slow grown European timber, pressure treated to UC4.



A



B

DESC	FINISH	SIZE (MM)	MIN. ORDER QTY	PALLET QTY	CODE
Square (A)	Green Treated	895x40x40	10	750	756 000G
Modern (B)	Green Treated	895x40x40	10	750	756 002G

FENCEMATE® Stop Chamfered Wooden Decking Spindle

Made from premium quality slow grown European timber, pressure treated to UC4.



A



B

DESC	FINISH	SIZE (MM)	MIN. ORDER QTY	PALLET QTY	CODE
Plain (A)	Green Treated	895 x 40 x 40	10	750	756 003G
Fluted (B)	Green Treated	895 x 40 x 40	10	750	756 004G

FENCEMATE® Wooden Newel Post

Made from premium quality slow grown European timber, pressure treated to UC4.

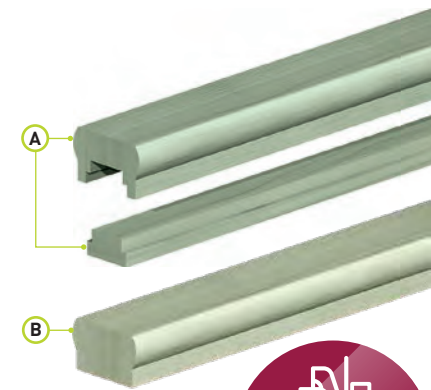
DESC	FINISH	SIZE (MM)	MIN. ORDER QTY	PALLET QTY	CODE
Square	Green Treated	1300 x 80 x 80	4	130	757 000G



FENCEMATE® Wooden Hand Rail & Base Rail for Decking

Made from premium quality slow grown European timber, pressure treated to UC4. To suit 35mm and 40mm spindles.

DESC	FINISH	LENGTH (M)	MIN. ORDER QTY	PALLET QTY	CODE
Hand Rail (A)	Green Treated	1.8	10	225	758 000G
Hand Rail (A)	Green Treated	2.4	10	225	758 002G
Base Rail (B)	Green Treated	1.8	10	225	758 001G
Base Rail (B)	Green Treated	2.4	10	225	758 003G



FENCEMATE® Wooden Post

Made from premium quality slow grown European timber, pressure treated to UC4.

FINISH	SIZE (MM)	MIN. ORDER QTY	PALLET QTY	CODE
Green Treated	1500 x 100 x 100	1	120	824 125G



FENCEMATE® Base Plate for Wooden Post



BEST SELLER ★

Use with FENCEMATE® Wooden Post. A 32mm drill bit is needed to drill a hole up the centre of your post.

FINISH	SUITABLE FOR	MIN. ORDER QTY	OUTER CARTON QTY	CODE
Epoxy Black	3 - 3¾" posts	10	20	829 0053

FENCEMATE® Metal Cover for Base Plate

Use with FENCEMATE® Base Plate for Wooden Post.



FINISH	SUITABLE FOR	MIN. ORDER QTY	CODE
Black	3" posts	10	829 7603
Black	3¼" posts	10	829 8003
Black	3¾" posts	10	829 9603

Base plate not included

FENCEMATE® Wood Bore Tool for Base Plate



SIZE (MM)	CODE
32	SPO 0032

ALUMINIUM ANTI-SLIP PLATE

The perfect safety solution for decks, steps and walkways

- Made from rust resistant aluminium, with a hard wearing anti-slip coating
- Easy to install
- 3 sizes available
- Stainless steel fixings included



Hard-wearing anti-slip coating

Aluminium for corrosion resistance



FENCEMATE® Aluminium Anti-Slip Plate

Made from rust-resistant aluminium, with a hard-wearing anti-slip coating; they are built to stand up to the worst the weather can throw at them.



FINISH	SIZE (MM)	MIN. ORDER QTY	OUTER CARTON QTY	CODE
Aluminium/Black	115 x 635	1	20	380 1150
Aluminium/Black	115 x 1000	1	20	380 1159
Aluminium/Black	62.5 x 635	1	20	380 6250

FENCING ACCESSORIES



CAREFULLY SELECTED COMPREHENSIVE RANGE OF QUALITY FENCING ACCESSORIES

162 Wire Fencing, Rope & Accessories

166 Chainlink, Netting & Stock Fencing

169 Chain & Fittings

172 Equestrian Accessories

173 Brackets & Straps

179 Construction Components

183 Trailer Fittings

P173



P178



P162



P174



WIRE FENCING, ROPE & ACCESSORIES

Wire & Accessories

Line Wire



FINISH	LENGTH (M)	GAUGE (MM)	DESC	COIL WEIGHT (KG)	MIN. ORDER QTY	OUTER CARTON QTY	CODE
Galvanised	82	3.15	Mild Steel	5	5	200	219 0111
Galvanised	130	2.50	Mild Steel	5	5	200	219 0091
Galvanised	235	4.00	Mild Steel	25	1	40	219 0061
Galvanised	410	3.15	Mild Steel	25	1	40	219 0021
Galvanised	651	2.50	Mild Steel	25	1	40	219 0011
Galvanised	410	3.15	High Tensile	25	1	40	219 0031
Galvanised	651	2.50	High Tensile	25	1	40	219 0081
Green PVC on Galvanised	440	4.00 / 3.15	Mild Steel	25	1	40	219 0059
Green PVC on Galvanised	700	3.15 / 2.24	Mild Steel	25	1	40	219 0049



Tying Wire



FINISH	LENGTH (M)	GAUGE (MM)	COIL WEIGHT (KG)	MIN. ORDER QTY	INNER CARTON QTY	OUTER CARTON QTY	CODE
Galvanised	31	1.60	½	1	10	50	220 0011
Galvanised	62	1.60	1	5	25	-	220 0041
Black PVC	34	2.00 / 1.40	½	1	10	50	220 0039
Green PVC	34	2.00 / 1.40	½	1	10	50	220 0029
Green PVC	68	2.00 / 1.40	1	5	25	-	220 0049

GRIPPLE®

DESC	FINISH	SUITABLE FOR	MIN. ORDER QTY	OUTER CARTON QTY	CODE
Small	Galvanised	1.40 - 2.20mm wire	20	200	221 0011
Medium	Galvanised	2.00 - 3.25mm wire	20	200	221 0021
Large	Galvanised	3.20 - 4.20mm wire	10	100	221 0041
Tensioning Tool for GRIPPLE®	Plastic	-	1	-	221 0000



Hair Pin Staples

FINISH	SIZE INS (MM)	MIN. ORDER QTY	CODE
Dacromet	7 (175)	100	212 1756



Barbed Wire Brackets

DESC	SUITABLE FOR	FINISH	SIZE INS (MM)	HOLE C TO C (MM)	CODE
Welded (A)	Front of Post	Galvanised	15 (375)	150	233 3751
Flat (B)	Side of Post	Galvanised	18 (450)	150	233 4501



Barbed Wire Spacers

FINISH	MATERIAL SIZE (MM)	LENGTH INS (MM)	HOLE C TO C (MM)	MIN. ORDER QTY	OUTER CARTON QTY	CODE
Galvanised	25 x 5	8½ (210)	80	10	50	213 2101
Galvanised	25 x 5	14¼ (360)	150	10	50	213 3601
Galvanised	25 x 5	18¾ (460)	200	10	50	213 4601



DuraPost®
BY BIRKDALE

Looking for a fence post that doesn't rot, warp, crack or chip?

Check out our revolutionary fencing solutions on page **241**.

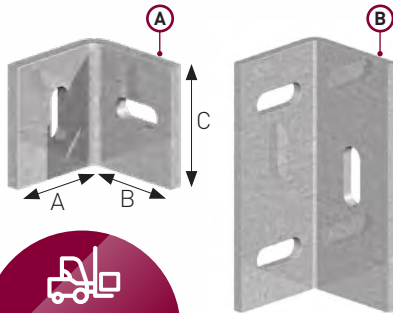


PAGE
241



Barrel Strainers

FINISH	SIZE INS (MM)	MIN. ORDER QTY	OUTER CARTON QTY	CODE
BZP	¼ (6)	10	300	211 0062
BZP	⅝ (8)	10	200	211 0082
BZP	¾ (10)	10	100	211 0102
BZP	½ (12)	10	50	211 0122



Angle Cleats

FINISH	SIZE (MM)*	MIN. ORDER QTY	CODE
Galvanised (A)	40 x 40 x 32	100	202 0321
Galvanised (A)	40 x 40 x 40	100	202 0401
Galvanised (A)	40 x 65 x 40	50	202 0541
Galvanised (A)	50 x 50 x 50	50	202 0501
Galvanised (A)	50 x 75 x 50	50	202 0751
Galvanised (A)	50 x 75 x 40	50	202 1571
Galvanised (B)**	50 x 50 x 125	20	202 1501

*AxBxC

**For use with 150mm gravel board



Round End Angle Cleats

FINISH	SIZE INS (MM)	MIN. ORDER QTY	OUTER CARTON QTY	CODE
Galvanised	2 x 1½ (50 x 40)	50	150	202 0521



Fish Plate

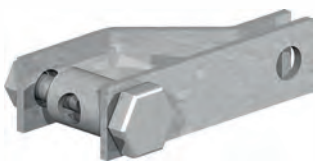
For use with angle posts

FINISH	SIZE INS (MM)	MIN. ORDER QTY	OUTER CARTON QTY	CODE
Galvanised	3½ (88)	1	100	205 0881



Ferrule Winders

FINISH	SIZE INS (MM)	MIN. ORDER QTY	PALLET QTY	CODE
Galvanised	3½ (88)	100	5000	206 0881
Galvanised	5 (125)	100	3600	206 1251
Galvanised	6 (150)	100	3600	206 1501

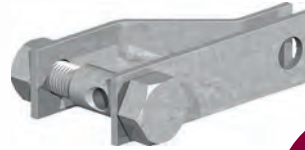


BEST
SELLER ★



Bolt Locking Winders

FINISH	LENGTH INS (MM)	MIN. ORDER QTY	CODE
Galvanised	2 (50)	100	207 0501



Heavy Duty Ratchet Winders

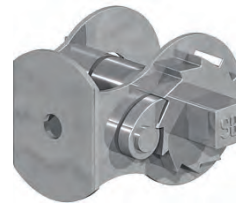
FINISH	MIN. ORDER QTY	PALLET QTY	CODE
Galvanised	50	1600	208 0001



Premium Quality Heavy Duty Ratchet Winders

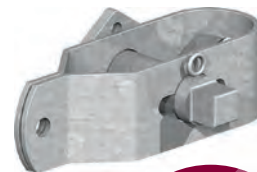
Includes a stainless steel split pin

FINISH	MIN. ORDER QTY	PALLET QTY	CODE
Galvanised	50	1600	999 0001



Radisseurs

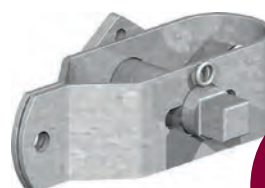
FINISH	SIZE	MIN. ORDER QTY	OUTER CARTON QTY	PALLET QTY	CODE
Galvanised	Small	50	100	3200	209 0011
Galvanised	Large	50	-	1850	209 0021



Premium Quality Radisseurs

Includes a stainless steel split pin

FINISH	SIZE	MIN. ORDER QTY	PALLET QTY	CODE
Galvanised	Large	50	2000	999 0021



**HURRY
LIMITED
STOCKS**



Wire Rope Grips

FINISH	SUITABLE FOR	MIN. ORDER QTY	OUTER CARTON QTY	CODE
BZP	6mm rope	50	1000	224 0062
BZP	8mm rope	50	400	224 0082
BZP	10mm rope	10	200	224 0102
BZP	12mm rope	10	200	224 0122

CHAINLINK, NETTING & STOCK FENCING

Loop Adaptors



FINISH	SIZE INS (MM)	MIN. ORDER QTY	OUTER CARTON QTY	CODE
Galvanised	3/8 (9.5)	100	400	201 0951
BZP	3/8 (9.5)	100	400	201 0952

Folded Eyebolts



NO. NUTS/WASHERS	FINISH	LENGTH INS (MM)	DIAMETER INS (MM)*	MIN. ORDER QTY	CODE
1	BZP	6 (150)	1/4 (6)	100	201 5062
1	BZP	6 (150)	1/4 (8)	100	201 5082
1	BZP	8 (200)	5/16 (8)	100	202 0082
2	BZP	6 (150)	3/8 (9.5)	100	201 5092
2	BZP	8 (200)	3/8 (9.5)	100	202 0092
2	BZP	10 (250)	3/8 (9.5)	100	202 5092
2	BZP	12 (300)	3/8 (9.5)	100	203 0092

* Thread diameter is an imperial size so metric size nuts will not be suitable

Welded Eyebolts



NO. NUTS/WASHERS	FINISH	LENGTH INS (MM)	DIAMETER INS (MM)*	MIN. ORDER QTY	OUTER CARTON QTY	CODE
2	BZP	8 (200)	3/8 (9)	100	-	212 0092
2	BZP	10 (250)	3/8 (9)	100	-	212 5092
2	BZP	12 (300)	3/8 (9)	100	-	213 0092
2	Galvanised	6 (150)	3/8 (9)	1	100	221 5091
2	Galvanised	8 (200)	3/8 (9)	1	100	222 0091
2	Galvanised	10 (250)	3/8 (9)	1	100	222 5091
2	Galvanised	12 (300)	3/8 (9)	1	100	223 0091

* Thread diameter is an imperial size so metric size nuts will not be suitable

Netting Fasteners & Pliers

DESC	FINISH	SIZE	MIN. ORDER QTY	OUTER CARTON QTY	CODE
Pliers	Alloy	7"	1	10	217 0040
Netting Fasteners	Sherardised	Heavy	100	5000	217 0015
Netting Fasteners	Sherardised	Light	200	10000	217 0035
Netting Fasteners	BZP	Light	200	10000	217 0022



Weldmesh Manual Clip Plier & Clips

DESC	FINISH	MIN. ORDER QTY	OUTER CARTON QTY	CODE
Weldmesh Manual Clip Plier *	Stainless Steel	1	-	217 0060
Clips (Box of 1443)	Stainless Steel	1 Box	6 Boxes	217 0050

* Special Order Only



FP222 Rapid Automatic Gun & Hog Ring Clips

- For more demanding garden tasks such as fixing thicker wire netting or chain link fencing, these fence pliers are a tough, reliable solution that delivers great results
- A high capacity heavy-duty hog ring magazine, ergonomic soft handle and handle lock for easy storage - optimises performance

DESC	FINISH	UNIT QTY	MIN. ORDER QTY	OUTER CARTON QTY	CODE
FP222 Rapid Automatic Gun	Black/Green Plastic	Pack of 1	1	5	218 2000
F20 Hog Ring Clips	Galvanised	Box of 1000	1 Box	20 Boxes	218 1011
F20 Hog Ring Clips	Green Plastic	Blister Pack of 1000	1 Blister Pack	20 Blister Packs	218 1026
F20 Hog Ring Clips	Galvanised	Blister Pack of 1000	1 Blister Pack	20 Blister Packs	218 1111



Gordian Ring Gun & Ring Fasteners

DESC	FINISH	MIN. ORDER QTY	OUTER CARTON QTY	CODE
Gordian Ring Gun	Stainless Steel	1	6	218 0000
CL22 Ring Fasteners (Box of 1000)	Galvanised	1 Box	20 Boxes	218 0012

Our CL22 Ring clips are triple life galvanised for extra corrosion resistance



20 x 5mm Stretcher Bar



No. SLOTS	FINISH	SLOT (C to C) (MM)	LENGTH INS (MM)	MIN. ORDER QTY	CODE
2	Galvanised	864	36 (900)	10	215 9021
3	Galvanised	580	48 (1200)	10	215 1201
3	Galvanised	680	56 (1400)	10	215 1401
3	Galvanised	740	60 (1500)	10	215 1501
3	Galvanised	880	72 (1800)	10	215 1801
3	Galvanised	432	36 (900)	10	215 9001
4	Galvanised	786	96 (2400)	10	215 2401
4	Galvanised	990	110 (2750)	10	215 2751

25 x 5mm Stretcher Bar



No. SLOTS	FINISH	SLOT (C to C) (MM)	LENGTH INS (MM)	MIN. ORDER QTY	CODE
3	Galvanised	580	48 (1200)	10	216 1201
3	Galvanised	880	72 (1800)	10	216 1801
4	Galvanised	786	96 (2400)	10	216 2401

Rabbit Netting Pegs



FINISH	SIZE INS (MM)	MIN. ORDER QTY	CODE
Galvanised	12 (300)	100	210 3001
Pre-Galvanised	12 (300)	100	210 3011

DuraPost[®]
BY BIRKDALE

Interested in training as a DuraPost Installer?

DuraPost is 80% lighter than concrete making them easier to handle and install. Save your back and help extend your career with our free DuraPost training programme!

Register today at:
birkdalesales.com/become-an-installer



CHAIN & FITTINGS

Straight Link Chain

FINISH	SIZE (MM)*	LENGTH (M)	MIN. ORDER QTY	CODE
Galvanised	2.50 x 14	30	30 Metres	241 0251
Galvanised	3.00 x 16	30	30 Metres	241 0301
Galvanised	3.00 x 21	30	30 Metres	241 0031
Galvanised	4.00 x 19	30	30 Metres	241 0401
Galvanised	4.00 x 26	30	30 Metres	241 0041
Galvanised	5.00 x 21	30	30 Metres	241 0511
Galvanised	5.00 x 28	25	25 Metres	241 0051
Galvanised	6.00 x 24	20	15 Metres	241 0601
Galvanised	6.00 x 33	15	15 Metres	241 0611
Galvanised	6.00 x 42	20	20 Metres	241 0061
Galvanised	6.50 x 36	15	15 Metres	241 0651
Galvanised	7.00 x 38	15	15 Metres	241 0701
Galvanised	8.00 x 42	10	10 Metres	241 0081
Galvanised	10.00 x 40	10	10 Metres	241 0101

*Thickness x inside of link
Product not tested



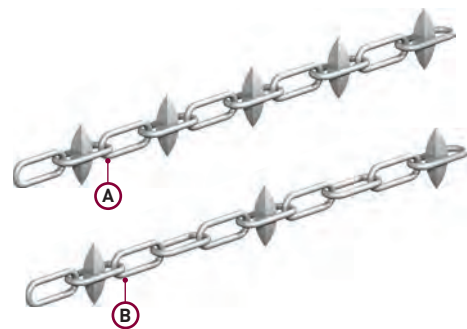
Quick Repair Links

FINISH	GAUGE (MM)	MIN. ORDER QTY	CODE
BZP	3.50	10	253 0352
BZP	4.00	10	253 0042
BZP	5.00	10	253 0052
BZP	6.00	10	253 0062
BZP	7.00	10	253 0072
BZP	8.00	5	253 0082
BZP	10.00	5	253 0102
BZP	12.00	5	253 0122



Spiked Chain

DESC	FINISH	SIZE INS (MM)	MIN. ORDER QTY	CODE
Alternate Links (A)	Galvanised	¼ (6)	25 Metres	235 0061
Every 4 Links (B)	Galvanised	¼ (6)	25 Metres	236 0061



Polythene Spiked Chain

DESC	FINISH	SIZE INS (MM)	MIN. ORDER QTY	CODE
Alternate Links	White	¼ (6)	25 Metres	239 0060



Polythene Chain



FINISH	SIZE INS (MM)	MIN. ORDER QTY	CODE
White	¼ (6)	25 Metres	240 0060

Swivel Spring Hooks



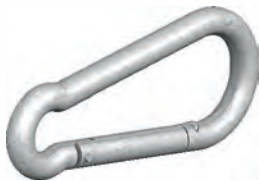
FINISH	LENGTH INS (MM)	MIN. ORDER QTY	OUTER CARTON QTY	CODE
BZP	2 (50)	10	1000	251 0502
BZP	2½ (63)	10	1000	251 0632
BZP	3 (75)	10	400	251 0752
BZP	3½ (88)	10	400	251 0882
BZP	4 (100)	10	200	251 1002

Swivel Harness Snap Hooks



FINISH	SIZE INS (MM)	MIN. ORDER QTY	CODE
Nickle Plated	3 x ¾ (76 x 19)	10	250 0760

Carbine Hooks



FINISH	SIZE (MM)	MIN. ORDER QTY	OUTER CARTON QTY	CODE
BZP	50 x 5	10	1000	249 5052
BZP	60 x 6	10	1000	249 6062
BZP	70 x 7	10	400	249 7072
BZP	80 x 8	10	400	249 8082
BZP	100 x 10	10	200	249 1012
BZP	140 x 12	10	200	249 1412

Dee Shackles



FINISH	GAUGE (MM)	MIN. ORDER QTY	OUTER CARTON QTY	CODE
BZP	6	20	1000	225 0062
BZP	8	50	400	225 0082
BZP	10	25	200	225 0102
BZP	12	25	200	225 0122
BZP	16	20	40	225 0162

End Fitting

FINISH	SIZE INS (MM)	SUITABLE FOR	MIN. ORDER QTY	INNER CARTON QTY	OUTER CARTON QTY	CODE
Galvanised	3/8 (10)	4" posts	1	10	50	243 0101



Hook on Plate

FINISH	SIZE INS (MM)	MIN. ORDER QTY	OUTER CARTON QTY	CODE
Galvanised	2 x 2 (50 x 50)	10	100	244 0501



Staple on Plate

FINISH	SIZE INS (MM)	MIN. ORDER QTY	OUTER CARTON QTY	CODE
Galvanised	2 x 2 (50 x 50)	10	100	245 0501



FENCEMATE
BY BIRKDALE

Need to save time setting in fenceposts?

Our FENCEMATE® post concrete sets quickly letting you get on with the job. Available in coarse aggregate and fine blend, turn to page **141** to order yours now.



PAGE
141

EQUESTRIAN ACCESSORIES

Ring on Heavy Duty Plate



FINISH	SIZE INS (MM)	MIN. ORDER QTY	OUTER CARTON QTY	CODE
Galvanised	4 x 2 (100 x 50)	10	50	246 1501

Ring on Plate



FINISH	SIZE INS (MM)	MIN. ORDER QTY	OUTER CARTON QTY	CODE
Galvanised	2 x 2 (50 x 50)	10	100	246 0501

Manger Ring on Eyebolt



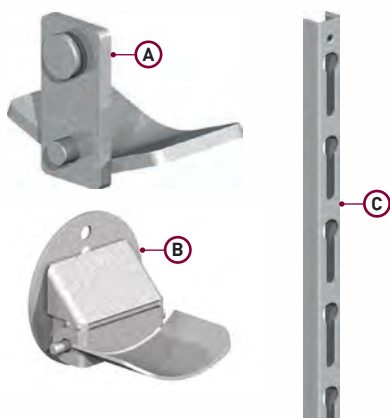
FINISH	SIZE INS (MM)	MIN. ORDER QTY	OUTER CARTON QTY	CODE
BZP	3 x 8 (75 x 200)	10	50	247 0752

Bucket Clip on Plate



FINISH	SIZE INS (MM)	MIN. ORDER QTY	CODE
Galvanised	2 x 2 (50 x 50)	10	247 0001

Jump Cups & Brackets



DESC	FINISH	SIZE INS (MM)	MIN. ORDER QTY	CODE
Cupped (A)	Galvanised	-	1	256 0001
Sprung (B)	Galvanised	-	1	256 0031
Bracket (C)	Galvanised	60 (1520)	1	256 1521

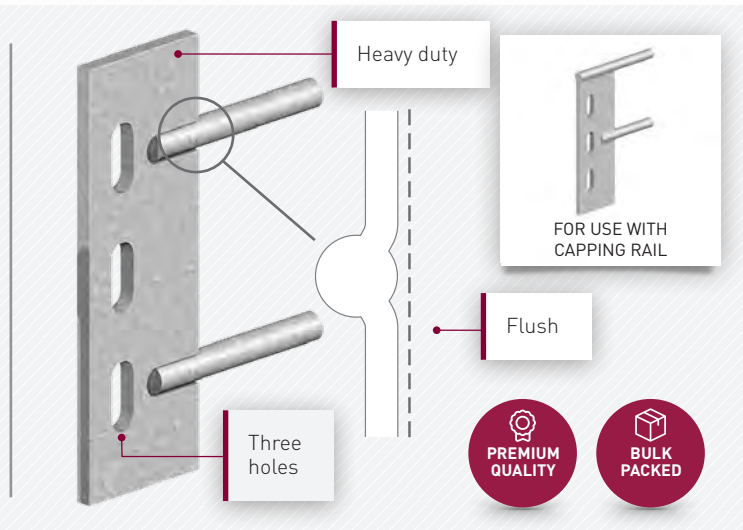
BRACKETS & STRAPS

Brackets

TWO PIN CLEATS

For use with concrete gravel boards, our two pin cleats are welded flush to one face to allow secure fitting to the concrete

- Also available for capping rails; designed to reduce the height of the gravel board to enable wooden capping to be fitted on top of the fence panel



Two Pin Cleats

- For securing concrete gravel boards to concrete fence posts
- 12" cleat is handed. Boxes contain equal quantities of left hand and right hand cleats

FINISH	SIZE INS (MM)	MIN. ORDER QTY	CODE
Galvanised (A)	6 (150)	50	203 1501
Galvanised	12 (300)	20	203 3001



Two Pin Cleats for Capping Rail

- Designed to reduce height of gravel board to enable wooden capping to be fitted on top of fence panel
- These cleats are handed - boxes contain equal quantities of left hand and right hand cleats

FINISH	SIZE INS (MM)	MIN. ORDER QTY	CODE
Galvanised	6 (150)	50	203 1511



Gravel Board Brackets

- For fixing gravel boards to wooden fence posts
- 1" designed for wooden gravel boards and 2" for concrete

FINISH	SIZE INS (MM)	MIN. ORDER QTY	OUTER CARTON QTY	CODE
Galvanised	6 x 1 (150 x 25)	50	200	230 1507
Galvanised	6 x 2 (150 x 50)	50	100	230 3507
Galvanised	8 x 1 (200 x 25)	50	100	230 2257
Galvanised	9 x 2 (230 x 50)	25	50	230 4507



Gravel Board Panel Clip



- For securing wooden fence panels to concrete gravel boards
- Prevents the fence panel in bowing

FINISH	SIZE INS (MM)	MIN. ORDER QTY	CODE
Pre-Galvanised	3 x 2 (75 x 50)	50	230 0517

Arris Rail Repair Bracket

BEST
SELLER ★



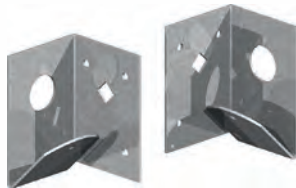
FINISH	SUITABLE FOR	MIN. ORDER QTY	PALLET QTY	CODE
Pre-Galvanised	3" arris rail	50	5600	226 0757
Epoxy Brown	3" arris rail	50	5600	226 0759

Arris Rail Mortice Bracket



FINISH	SUITABLE FOR	MIN. ORDER QTY	OUTER CARTON QTY	CODE
Pre-Galvanised	3" arris rail	50	100	227 0757

Arris Rail Brackets - Bolt-On (Handed)



FINISH	SUITABLE FOR	UNIT QTY	MIN. ORDER QTY	OUTER CARTON QTY	CODE
Pre-Galvanised	3" arris rail	1 Pair	25	50	228 0757

Arris Rail/Cant Rail Corner Bracket - Heavy Duty



FINISH	MATERIAL THICKNESS (MM)	SUITABLE FOR	MIN. ORDER QTY	CODE
Galvanised	3	3" arris rail	100	226 0327

Cant Rail Bracket



FINISH	SIZE (MM)	MIN. ORDER QTY	CODE
Pre-Galvanised	70	50	226 0707

Panel Fixing Clips

FINISH	SIZE (MM)	MIN. ORDER QTY	OUTER CARTON QTY	CODE
Pre-Galvanised	35 x 35	100	200	230 0357
Pre-Galvanised	45 x 50	100	200	230 0457
Pre-Galvanised	50 x 50	100	200	230 0507



Screw-In Panel Clips

- A simple solution for securing fence panels to wooden fence posts
- Screw is Welded onto the clip

FINISH	SIZE (MM)	MIN. ORDER QTY	OUTER CARTON QTY	CODE
Galvanised	40 x 40 x 30	100	200	230 0401



Trellis Clips

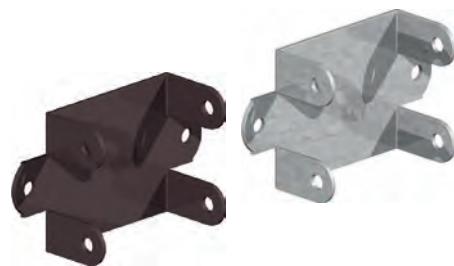
Designed for securing trellis to fence posts

FINISH	SIZE INS (MM)	MIN. ORDER QTY	OUTER CARTON QTY	CODE
Galvanised	2½ (60)	100	200	230 1607



Easy Use Panel Bracket

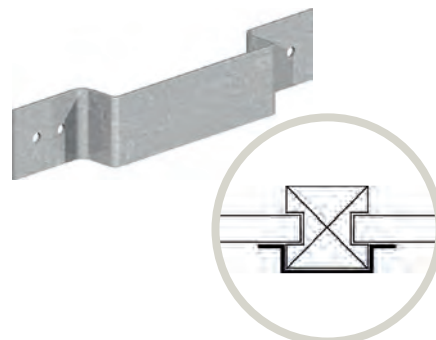
FINISH	SIZE (MM)	MIN. ORDER QTY	OUTER CARTON QTY	CODE
Pre-Galvanised	32	100	200	230 0327
Pre-Galvanised	47	100	200	230 0477
Pre-Galvanised	52	100	200	230 0527
Epoxy Brown	32	100	200	230 0329
Epoxy Brown	47	100	200	230 0479
Epoxy Brown	52	100	200	230 0529



Panel Security Bracket

For securing wooden fence panels together to stop them being removed from slotted concrete posts

FINISH	SUITABLE FOR	MIN. ORDER QTY	OUTER CARTON QTY	CODE
Galvanised	4" posts	50	100	230 1007





Angle Plate Bracket



FINISH	SIZE (MM)	MIN. ORDER QTY	CODE
Galvanised	40 x 40 x 20	100	283 0207
Galvanised	50 x 50 x 30	100	283 0307

Corner Braces



FINISH	SIZE INS (MM)	MIN. ORDER QTY	OUTER CARTON QTY	CODE
BZP/YP	1 (25)	50	1500	231 0258
BZP/YP	1½ (38)	50	1000	231 0388
BZP/YP	2 (50)	50	700	231 0508
BZP/YP	2½ (65)	50	500	231 0658
BZP/YP	3 (75)	50	250	231 0758
BZP/YP	4 (100)	50	200	231 1008
BZP/YP	6 (150)	50	100	231 1508

Corner Plates



HURRY LIMITED STOCKS

FINISH	SIZE INS (MM)	MIN. ORDER QTY	OUTER CARTON QTY	CODE
BZP/YP	2½ (65)	50	500	235 0658
BZP/YP	3 (75)	50	250	235 0758
BZP/YP	4 (100)	25	200	235 1008
BZP/YP	5 (125)	25	100	235 1258
BZP/YP	6 (150)	25	100	235 1508

Tee Plates



FINISH	SIZE INS (MM)	MIN. ORDER QTY	OUTER CARTON QTY	CODE
BZP/YP	3 (75)	25	250	236 0758
BZP/YP	4 (100)	25	250	236 1008

DuraPost[®]
BY BIRKDALE

VENTO PANELS

FUSS FREE FENCING

A classic design reimaged

Quality Guaranteed - Introducing the new composite fencing solution, by DuraPost. With innovation at the core of our brand, we introduce DuraPost's new composite solution - the 'Vento'.



COLOURS



PAGE
251

Mending Plates

FINISH	SIZE INS (MM)	MIN. ORDER QTY	OUTER CARTON QTY	CODE
BZP/YP	3 (75)	25	700	237 0758
BZP/YP	4 (100)	25	500	237 1008
BZP/YP	5 (125)	25	300	237 1258
BZP/YP	6 (150)	25	200	237 1508



Table Stretcher Plates

FINISH	SIZE INS (MM)	MIN. ORDER QTY	OUTER CARTON QTY	CODE
BZP/YP	1½ (38)	50	700	238 0388



L Bracket

FINISH	SIZE (MM)	MIN. ORDER QTY	OUTER CARTON QTY	CODE
Pre-Galvanised	30 x 30 x 50	100	250	230 0287



Balustrade Brackets

For fixing balustrading to decking posts

FINISH	SIZE (MM)	MIN. ORDER QTY	OUTER CARTON QTY	CODE
BZP/YP	40 x 40 x 30	100	500	230 0302



Anti-Rattle Panel Clamp for Concrete Posts

Used to prevent fence panels rattling during windy weather

FINISH	MIN. ORDER QTY	CODE
Brown Treated Oak	100	750 0000



Post Straps

Flat Birds Mouth Post Strap with Holes

For knee rail fences

FINISH	SIZE (MM)	SUITABLE FOR	MIN. ORDER QTY	CODE
Pre-Galvanised	560 x 70	3" posts	25	229 0037
Pre-Galvanised	560 x 90	4" posts	25	229 0047



Birds Mouth Post Strap (Once Bent)

For knee rail fences

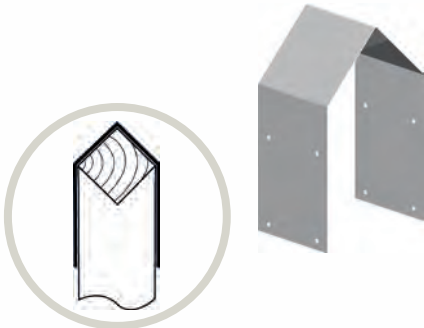
FINISH	SUITABLE FOR	MIN. ORDER QTY	CODE
Pre-Galvanised	2" posts	25	229 0507
Pre-Galvanised	3" posts	25	229 0757
Pre-Galvanised	4" posts	25	229 1007
Pre-Galvanised	5" posts	25	229 1257
Pre-Galvanised	6" posts	25	229 1507



Shoe Type Post Strap (Three Times Bent)

For knee rail fences

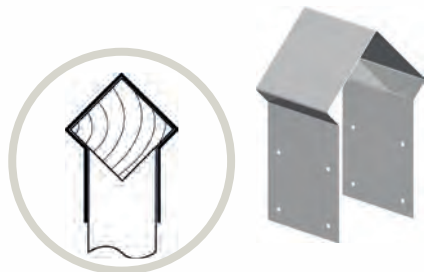
FINISH	SUITABLE FOR	MIN. ORDER QTY	CODE
Pre-Galvanised	3" rail & 4" posts	25	229 1117
Pre-Galvanised	4" rail & 6 x 4" posts	25	229 2227



Bishop Hat Post Strap (Five Times Bent)

For knee rail fences

FINISH	SUITABLE FOR	MIN. ORDER QTY	CODE
Pre-Galvanised	4" rail & 4" posts	25	229 1017



Multi Purpose Fixing Band

Attach to closeboard fencing for increased intruder resistance

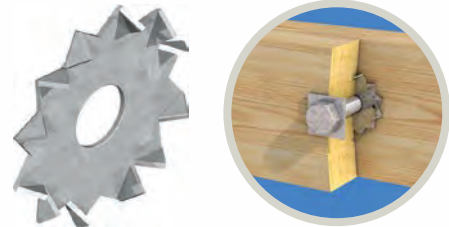
FINISH	SIZE (MM)	LENGTH (M)	MIN. ORDER QTY	CODE
Pre-Galvanised	20 x 1.0	10	1	234 0107



CONSTRUCTION COMPONENTS

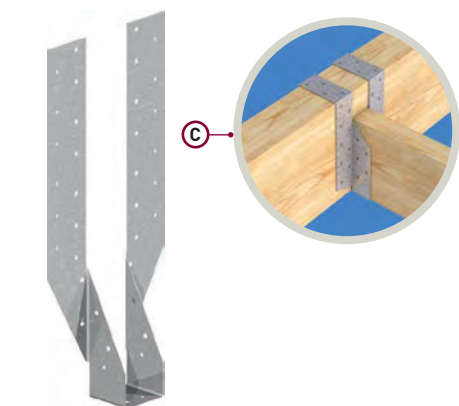
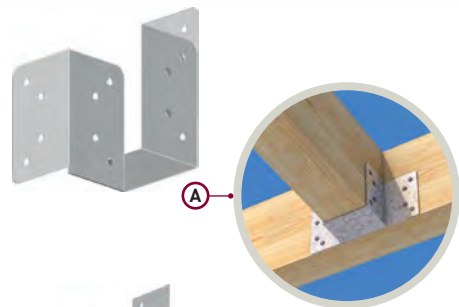
Double Sided Timber Connectors

FINISH	SIZE INS (MM)	MIN. ORDER QTY	CODE
Galvanised	2 (50)	100	232 1507



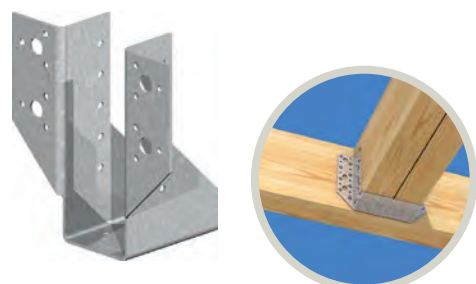
Joist Hanger

DESC	FINISH	SUITABLE FOR	MIN. ORDER QTY	CODE
Mini (A)	Pre-Galvanised	38mm timber	250	255 0387
Mini (A)	Pre-Galvanised	44mm timber	250	255 0447
Mini (A)	Pre-Galvanised	47mm timber	250	255 0477
Mini (A)	Pre-Galvanised	50mm timber	100	255 0017
Jiffy (B)	Pre-Galvanised	44mm timber	100	255 1447
Jiffy (B)	Pre-Galvanised	47mm timber	100	255 1477
Jiffy (B)	Pre-Galvanised	50mm timber	100	255 0027
Jiffy (B)	Pre-Galvanised	75mm timber	100	255 0037
Jiffy (B)	Pre-Galvanised	100mm timber	100	255 1007
Jiffy Extended Leg (C)	Pre-Galvanised	47mm timber	50	255 2477
Jiffy Extended Leg (C)	Pre-Galvanised	75mm timber	50	255 2757

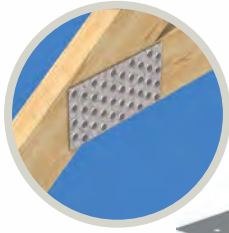


Multi-Truss Hanger

FINISH	SIZE (MM)	MIN. ORDER QTY	CODE
Pre-Galvanised	47 x 100-125	50	285 0471
Pre-Galvanised	47 x 150-200	50	285 1471



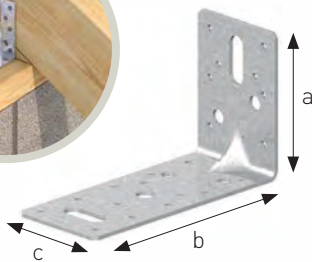
Hand Nail Plate



FINISH	SIZE INS (MM)	MATERIAL THICKNESS (MM)	MIN. ORDER QTY	CODE
Pre-Galvanised	3 x 6 (75 x 150)	1	100	286 1507
Pre-Galvanised	3 x 8 (75 x 200)	1	100	286 2007
Pre-Galvanised	4 x 8 (100 x 200)	1	100	286 2017

Heavy Duty Angle Brackets

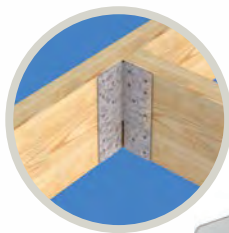
Multi-purpose bracket for heavy applications



FINISH	SIZE (MM)*	MATERIAL THICKNESS (MM)	MIN. ORDER QTY	CODE
Pre-Galvanised	40 x 40 x 40	2.50	100	289 0407
Pre-Galvanised	50 x 50 x 63	2.50	100	289 0507
Pre-Galvanised	60 x 40 x 63	2.50	100	289 0617
Pre-Galvanised	60 x 60 x 40	2.50	100	289 0607
Pre-Galvanised	60 x 60 x 60	2.50	100	289 0627
Pre-Galvanised	80 x 80 x 80	2.50	100	289 0807
Pre-Galvanised	90 x 90 x 63	2.50	100	289 0907
Pre-Galvanised	150 x 150 x 63	2.50	50	289 1517
Pre-Galvanised	150 x 90 x 63	2.50	50	289 1507

*a x b x c

Universal Framing Anchors



FINISH	SIZE (MM)	MIN. ORDER QTY	CODE
Pre-Galvanised	37 x 37 x 126	100	295 0377

Deck Joist Shoe



FINISH	SUITABLE FOR	MIN. ORDER QTY	OUTER CARTON QTY	CODE
Pre-Galvanised	100 - 125 x 50mm joists	10	50	285 1257
Pre-Galvanised	150 - 200 x 50mm joists	50	-	285 2007

Stair Tread Bracket Kit

Includes three left and three right brackets for easy construction of steps e.g. for decking

FINISH	SIZE (MM)	MIN. ORDER QTY	OUTER CARTON QTY	CODE
Pre-Galvanised	200 x 35 x 35	3	36	291 2007



Anchor Bolt-Down Plates

For anchoring timber posts to the ground. Raised to prevent post from rotting

FINISH	SIZE (MM)	MIN. ORDER QTY	CODE
Galvanised	100 x 100	10	292 0951



**POST
SUPPORTS
ARE ON
PAGE 154**

FABRICATION COMPONENTS

Drop Bolt Holder

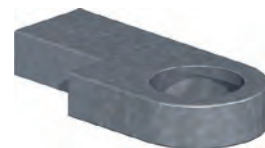
FINISH	SIZE (MM)	MIN. ORDER QTY	OUTER CARTON QTY	CODE
Self Colour	55 x 45 x 5	100	200	099 2014



Drop Bolt Eye to Weld

FINISH	SIZE (MM)*	LENGTH (MM)	HOLE Ø (MM)	MIN. ORDER QTY	OUTER CARTON QTY	CODE
Self Colour	30 x 10	62	20	100	200	099 2054

*Width x thickness



Keep to Weld

DESC	FINISH	SIZE (MM)*	LENGTH INS (MM)	MIN. ORDER QTY	OUTER CARTON QTY	CODE
Receiver to weld	Self Colour	25 x 5	3½ (90)	100	200	099 2034
Carrier to weld	Self Colour	25 x 5	3 (75)	250	-	099 2044

*Width x thickness





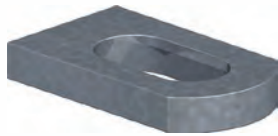
Stretcher Bar Lug to Weld



DESC	FINISH	SIZE (MM)*	LENGTH (MM)	HOLE Ø (MM)	MIN. ORDER QTY	OUTER CARTON QTY	CODE
1 Hole (A)	Self Colour	25 x 5	30	11	100	1000	214 0304
1 Hole (A)	Self Colour	25 x 5	52	11	100	500	214 0524
2 Hole (B)	Self Colour	25 x 5	72	11	100	300	214 0734

*Width x thickness

Railing Lug to Weld



FINISH	SIZE (MM)*	LENGTH (MM)	HOLE Ø (MM)	MIN. ORDER QTY	OUTER CARTON QTY	CODE
Self Colour	25 x 8	52	12	100	500	255 0254
Self Colour	32 x 8	52	16	100	300	255 0324
Self Colour	40 x 9	60	12	100	-	255 0404
Self Colour	50 x 9	62	12	100	-	255 0504

*Width x thickness

Hurdle Eye To Bolt



FINISH	SIZE (MM)	HOLE (MM)	MIN. ORDER QTY	OUTER CARTON QTY	CODE
Galvanised	71 x 40	22 x 38	5	15	255 0701

FENCING ACCESSORIES

ALUMINIUM GATE KIT

VERSATILE DESIGN

All the kit you need to make an entrance

Every project is different, which is why we've designed a gate that adjusts to any outside space. The DuraPost Aluminium Gate Kit combines privacy and security with flexibility.

COLOURS

PAGE
248

TRAILER FITTINGS

Tailboard Hook to Bolt

FINISH	PIN SIZE INS (MM)	MIN. ORDER QTY	OUTER CARTON QTY	CODE
Self Colour	5/16 (8)	10	100	301 0084



Hinge Pins

DESC	FINISH	PIN SIZE INS (MM)	MIN. ORDER QTY	OUTER CARTON QTY	CODE
To Bolt (A)	Self Colour	1/2 (12)	10	100	302 0124
To Weld (B)	Self Colour	1/2 (12)	10	100	302 1124
To Weld (B)	Self Colour	5/8 (16)	10	100	302 1164



Linch Pins

DESC	FINISH	PIN SIZE INS (MM)	MIN. ORDER QTY	OUTER CARTON QTY	CODE
Small	BZP	1/4 (6)	25	500	308 0062
Medium	BZP	5/16 (8)	25	500	308 0082



Towing Pins

FINISH	PIN SIZE INS (MM)	MIN. ORDER QTY	OUTER CARTON QTY	CODE
BZP	1 (25)	1	20	309 0252



HURRY LIMITED STOCKS

R Clips

DESC	FINISH	SIZE INS (MM)	MIN. ORDER QTY	OUTER CARTON QTY	CODE
Small	BZP	2 1/2 x 1/8 (63x3)	50	1000	310 0632
Large	BZP	4 x 1/4 (100x5)	50	500	310 1002



Short Hinges



FINISH	SIZE INS (MM)	PIN/EYE Ø INS (MM)	MIN. ORDER QTY	OUTER CARTON QTY	CODE
Self Colour	6 x 1 (150 x 25)	½ (12)	10	50	303 1124
Self Colour	6 x 1½ (150 x 40)	½ (12)	10	30	303 0124

Drop Catches



FINISH	DESC	SIZE INS (MM)	MIN. ORDER QTY	OUTER CARTON QTY	CODE
BZP	To Bolt Short (A)	1 (25)	10	200	304 0252
BZP	To Bolt Long (A)	3 (75)	10	100	304 0752
BZP	To Rivet (B)	½ (12)	10	200	305 0122

Rivetting Plugs



FINISH	SIZE INS (MM)	MIN. ORDER QTY	OUTER CARTON QTY	CODE
Self Colour	1¾ x ½ (44x12)	10	200	307 0464

Spade Hinges to Weld



FINISH	SIZE INS (MM)	PIN/EYE Ø INS (MM)	MIN. ORDER QTY	OUTER CARTON QTY	CODE
Self Colour	3 x 1¾ (75 x 44)	½ (12)	10	40	314 0124

DuraPost®
BY BIRKDALE

URBAN SLATTED PANELS

CONTEMPORARY BACKDROP TO YOUR GARDEN

New architectural chic

An exciting new option for those looking for a more architectural style to define their space. DuraPost's new URBAN SLATTED PANELS bring a more contemporary look to garden boundaries.

COLOURS



PAGE
252



THE COMPLETE RANGE OF FENCERS' TOOLS + FIXINGS MANUFACTURED FOR DURABILITY + PERFORMANCE

186 Specialist Fencing Tools

195 Insulated Tools

197 Hand Tools

203 Other Tools & Accessories

207 Paints, Tapes & Adhesives

208 Nails & Staples

216 Woodscrews

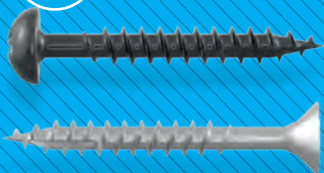
226 Bolt & Coach Screws

230 Masonry Fixings

234 Nuts, Washers and Studding

237 Other Fixings

P220



P195



P186



P225



TOOLS

Specialist Fencers tools – Designed by fencers for fencers.

FAST, EFFECTIVE AND POWERFUL

Our range of SITEMATE® tools have unique features that allow the user to get the job done right the first time.

Features such as the angle of our SITEMATE® graft blade, the strength of each tool and the comfort of the grip provides power, allowing the user to be fast and effective.

We have added new products to our comprehensive range of superior products to ensure that you have everything you need to complete the job in one place.

SITEMATE
BY BIRKDALE

TOOL GRADING ICONS

Make sure the tool you choose is fit for purpose using our handy grading icons!

**TAKE
YOUR PICK**

SITEMATE
BY BIRKDALE

ULTIMATE FENCERS GRAFT

Our strongest ever graft - designed by fencers for fencers!

- The reduced angle of the blade reduces body strain and aids easier digging
- The reinforced forged shaft prevents breaking

Sharp hardened blade

Toughened sleeve at bottom of shaft for extra strength

Rubber handle for comfortable use

Screw on end cap to adjust the weight by filling with concrete

GRADE
4
HEAVY INDUSTRIAL USE

PREMIUM
QUALITY

SITEMATE® The Ultimate Fencers Graft

FINISH	SIZE MM	MIN. ORDER QTY	CODE
Grey	1750	1	608 0090



SITEMATE® Excavator Fencers Graft

DESC	FINISH	SIZE MM	MIN. ORDER QTY	CODE
Type 1 (A)	Grey	1750	1	608 0060
Type 2 (B)	Grey	1750	1	608 0070



SITEMATE® Double Shovel Holer

With heavy duty hardened blades

DESC	SIZE INS (MM)	MIN. ORDER QTY	CODE
w/ Steel Handles (A)	60 (1520)	1	608 0010
w/ Wooden Handles (B)	60 (1520)	1	608 0020
Handle Only	48 (1220)	1	608 0030



SITEMATE® Mini Post Hole Digger

DESC	SIZE INS (MM)	MIN. ORDER QTY	CODE
w/ Wooden Handles (A)	48 (1220)	1	608 0040
w/ Wooden Handles - Economy (B)	48 (1220)	1	608 0080
w/ Fibreglass Handles (C)	48 (1220)	1	608 0050



SITEMATE® Shovels



DESC	FINISH	MIN. ORDER QTY	CODE
Newcastle Drainer Shovel (A)	Grey	1	606 0090
Round Mouth Shovel (B)	Grey	1	615 0060
Square Mouth Shovel (C)	Grey	1	615 0020
Cable Laying Pattern Shovel (D)	Grey	1	615 0030
Tapermouth Shovel (E)	Grey	1	615 0040

SITEMATE® Digging Spade



FINISH	MIN. ORDER QTY	CODE
Grey	1	615 0050

SITEMATE® Fencers Adze



Used for shaping arris rails when constructing post and rail fences. The SITEMATE® Adze is a high quality tool with an ergonomic hickory handle for continuous comfortable use

LENGTH INS (MM)	WEIGHT (LB)	MIN. ORDER QTY	CODE
36 (900)	4	1	601 0010

SITEMATE® Fencing Tamper

For compacting dry mix concrete and earth around fence posts

LENGTH M (FT)	END SIZE (MM)	MIN. ORDER QTY	CODE
1.5 (5)	175 x 90	1	606 0000



SITEMATE® Post Rammer

Heavy steel rammer for driving timber posts into the ground. Features two steel handles and welded steel straps for extra strength and safety

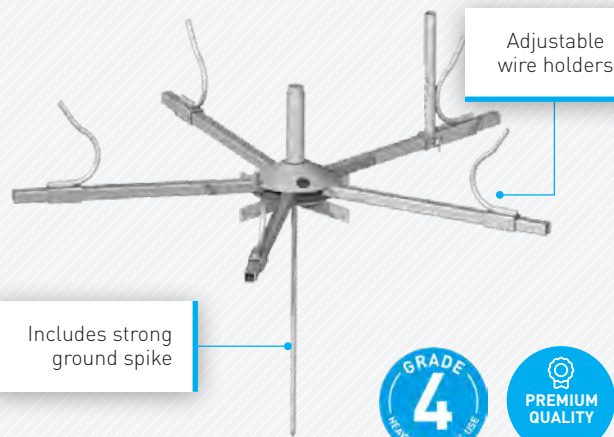
FINISH	POST SIZE INS (MM)	MIN. ORDER QTY	PALLET QTY	CODE
Grey	4 (100)	1	30	612 0020
Grey	6 (150)	1	30	612 0010



SITEMATE®
BY BIRKDALE

SPINNING JENNY WIRE DISPENSER

- Heavy galvanised finish for superior corrosion resistance
- Adjustable design
- Simple, strong, durable



SITEMATE® Spinning Jenny Wire Dispenser with Ground Spike

Galvanised adjustable wire dispenser including ground spike

FINISH	MIN. ORDER QTY	CODE
Galvanised	1	660 0003



SITEMATE® Landscape Rake



GRADE 3
LIGHT INDUSTRIAL USE

FINISH	LENGTH INS (MM)	RAKE WIDTH INS (MM)	MIN. ORDER QTY	CODE
Grey	67 (1700)	28 (711)	1	615 0070

SITEMATE® Stiff Bass Platform Broom with Handle



GRADE 3
LIGHT INDUSTRIAL USE

LENGTH INS (MM)	MIN. ORDER QTY	CODE
18 (450)	1	603 0010
24 (600)	1	603 0020

SITEMATE® Chisel & Point Crowbar



GRADE 4
HEAVY INDUSTRIAL USE

Chisel end used to cut through roots, point end for breaking up concrete

DESC	LENGTH M (FT)	DIAMETER INS (MM)	MIN. ORDER QTY	CODE
Round	1.5 (5)	1¼ (30)	1	606 0010
Round	1.8 (6)	1¼ (30)	1	606 0020
Hexagonal	1.8 (6)	1¼ (30)	1	606 0050

SITEMATE® Pry Bars



GRADE 4
HEAVY INDUSTRIAL USE

NEW

DESC	SIZE INS (MM)	MIN. ORDER QTY	CODE
Standard Duty (A)	22 (550)	1	606 0150
Heavy Duty (B)	56 (1420)	1	606 0270

SITEMATE® Wrecking Crowbar



GRADE 4
HEAVY INDUSTRIAL USE

DESC	LENGTH INS (MM)	DIAMETER INS (MM)	MIN. ORDER QTY	CODE
Standard Duty	24 (600)	¾ (19)	1	606 0030
Standard Duty	36 (900)	¾ (19)	1	606 0130
Heavy Duty*	24 (600)	1 ¼ (30)	1	606 0160
Heavy Duty*	40 (1000)	1 ¼ (30)	1	606 0170

*Our heavy duty wrecking crowbars have the thickest material construction on the market!

SITEMATE® Heavy Duty Wrecking Claw

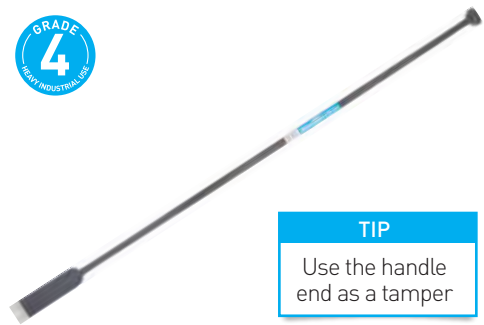
Great for taking down and ripping up old fencing. Includes 2 x nail pullers

LENGTH INS (MM)	WIDTH INS (MM)	MIN. ORDER QTY	CODE
44 (1120)	3/4 (19)	1	606 0140



SITEMATE® Post Hole Digging Crowbar

LENGTH M (FT)	DIAMETER INS (MM)	MIN. ORDER QTY	CODE
1.8 (6)	1 (25)	1	606 0040



TIP
Use the handle end as a tamper

SITEMATE® Sledge Hammer

HANDLE	WEIGHT	SIZE (MM)	MIN. ORDER QTY	CODE
Wooden	10lb	900	1	609 0050
Wooden	14lb	900	1	609 0060
Fibreglass	10lb	900	1	609 0150



SITEMATE® Maul Hammer with Fibreglass Handle

Cast Steel Head

WEIGHT	SIZE (MM)	MIN. ORDER QTY	CODE
14lb	950	1	609 0140



SITEMATE
BY BIRKDALE

FORGED STEEL CLAW HAMMER

Made of high-quality steel, the SITEMATE® claw hammer is designed to be strong.

- Features designed with the Fencing Contractor in mind.
- Ideal tool to use for fencing installations



SITEMATE® One Piece Forged Steel Claw Hammer



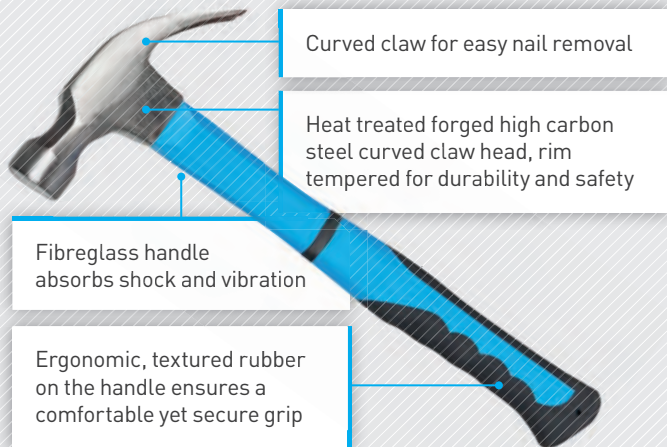
FINISH	WEIGHT (OZ)	MIN. ORDER QTY	CODE
Steel	16	1	609 0010

SITEMATE
BY BIRKDALE

FIBREGLASS CLAW HAMMER

Designed with the Fencing Contractor in mind, the SITEMATE® fibreglass claw hammer provides durability and comfort.

- Hardened and tempered carbon steel head for maximum durability
- Soft grip ergonomic handle provides a comfortable, secure grip for the user



SITEMATE® Fibreglass Claw Hammer



FINISH	WEIGHT (OZ)	MIN. ORDER QTY	CODE
Fibreglass	16	1	609 0210

Handsaw 'Jack' Hardpoint

SIZE INS (MM)	MIN. ORDER QTY	CODE
20 (500)	10	614 0010



SITEMATE
BY BIRKDALE

FENCERS SAW

The PTFE (polytetrafluoroethylene) coating increases corrosion resistance.

- Decreases friction
- Increases sawing speed
- Ideal for cutting wet timber

The Universal Saw is suitable for hardwood, softwood and veneer materials

PTFE coating prolongs the life of the saw



Ergonomically designed handle provides a comfortable grip

Hardened point, 8TPI, Triple Ground

SITEMATE® Fencers Saw

SIZE INS (MM)	FINISH	MIN. ORDER QTY	CODE
20 (500)	Teflon coated	10	614 0040



SITEMATE
BY BIRKDALE

Looking for
exactly the right tool
for the job?

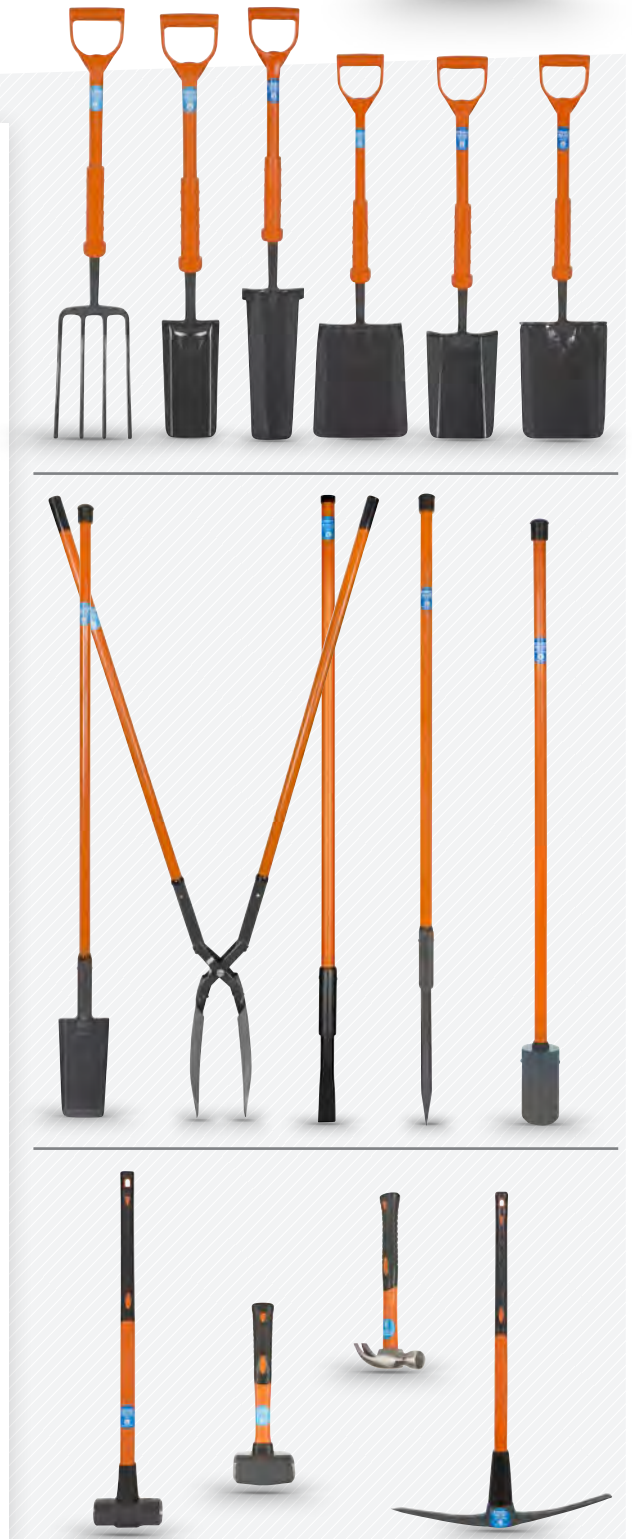
Look no further for a comprehensive range of tools. Designed by fencers, for fencers.



PAGE
186

THE COMPLETE RANGE OF SPECIALIST INSULATED TOOLS

Did you know that each year there are at least 30 fatalities on construction sites in the UK, and nearly 7% are due to contact with electricity? Even if protective clothing is worn, accidents often result in severe burns to the hands, face and body.



Insulated Tools

SITEMATE® Insulated Heavy Duty Contractor's Fork

FINISH	MIN. ORDER QTY	CODE
Fibreglass (Grey/Orange)	1	606 0120



SITEMATE® Insulated Fencers Graft

FINISH	SIZE INS (MM)	MIN. ORDER QTY	CODE
Fibreglass (Grey/Orange)	54 (1370)	1	606 0070



SITEMATE® Insulated Shovels

DESC	FINISH	MIN. ORDER QTY	CODE
Square Mouth Shovel (A)	Fibreglass (Grey/Orange)	1	606 0100
Cable Laying Shovel (B)	Fibreglass (Grey/Orange)	1	606 0110
Taper Mouth Shovel (C)	Fibreglass (Grey/Orange)	1	606 0240
Trenching Shovel (D)	Fibreglass (Grey/Orange)	1	606 0260
Newcastle Drainer Shovel (E)	Fibreglass (Grey/Orange)	1	606 0230



SITEMATE® Insulated Heavy Duty Shovel Holer

FINISH	SIZE INS (MM)	MIN. ORDER QTY	CODE
Fibreglass (Grey/Orange)	54 (1370)	1	606 0080



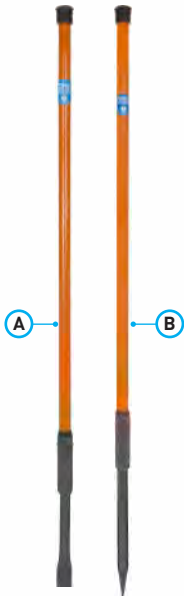
SITEMATE® Insulated Mini Post Hole Digger



FINISH	SIZE INS (MM)	MIN. ORDER QTY	CODE
Fibreglass (Grey/Orange)	54 (1370)	1	606 1180



SITEMATE® Insulated Crowbars



DESC	FINISH	SIZE INS (MM)	CODE
Chisel End Crowbar (A)	Fibreglass (Grey/Orange)	60 (1520)	606 0060
Point End Crowbar (B)	Fibreglass (Grey/Orange)	60 (1520)	606 0220



SITEMATE® Insulated Tamper/Pipe Breaker



FINISH	MIN. ORDER QTY	CODE
Fibreglass (Grey/Orange)	1	606 0250



SITEMATE® Insulated Pick Axe

FINISH	MIN. ORDER QTY	CODE
Fibreglass (Grey/Orange)	1	606 0180



SITEMATE® Insulated Hammers

DESC	FINISH	WEIGHT	MIN. ORDER QTY	CODE
Sledge Hammer (A)	Fibreglass (Grey/Orange)	10LB	1	606 0190
Club Hammer (B)	Fibreglass (Grey/Orange)	4LB	1	606 0200
Claw Hammer (C)	Fibreglass (Grey/Orange)	200Z	1	606 0210

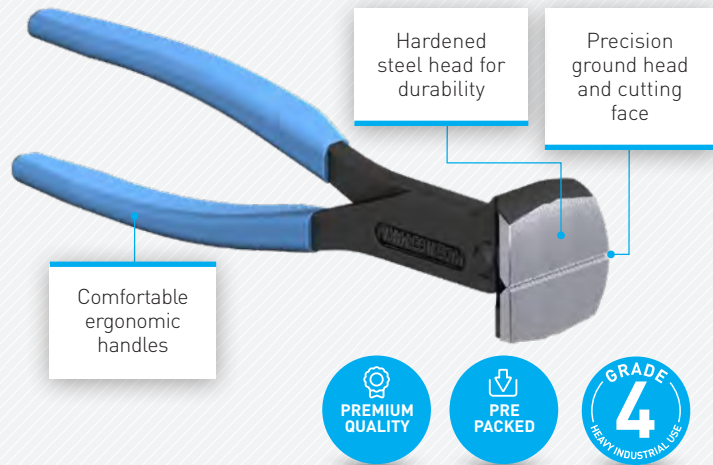


Hand Tools

SITEMATE®
BY BIRKDALE

WIRE END CUTTERS

Premium quality, precision engineered wire end cutters made in Germany!



SITEMATE® Wire End Cutters

Premium quality wire cutters made in Germany! With hardened steel blades and comfortable ergonomic handles, the SITEMATE® wire cutters are the essential wire fencing accessory



SIZE INS (MM)	OUTER CARTON QTY	MIN. ORDER QTY	CODE
7 (180)	6	1	618 0010
8 (200)	6	1	618 0020

OPTIMUM WIRE CUTTING CAPACITY

CODE	HARD	MEDIUM	SOFT
6180010	2.50	3.20	4.00
6180020	2.50	3.20	4.00



SITEMATE® Bolt Croppers



Premium quality bolt croppers made in Germany! With hardened steel blades and toughened handles, the SITEMATE® bolt croppers are built to last

SIZE INS (MM)	MIN. ORDER QTY	CODE
24 (600)	1	602 0010

SITEMATE
BY BIRKDALE

**PROFESSIONAL
FENCING PLIERS**

- Premium quality, precision engineered fencing pliers made in Germany!
- The perfect all-round fencing tool



SITEMATE® Professional Fencers Pliers



Premium quality fencing pliers made in Germany! With a hardened steel head and comfortable ergonomic handles, the SITEMATE® Fencer's plier is the perfect all-round fencing tool

FINISH	MIN. ORDER QTY	OUTER CARTON QTY	CODE
Steel/Blue	1	6	618 0080

Universal Fencers Pliers



DESC	MIN. ORDER QTY	CODE
Multi-purpose	1	618 0070

CK Professional Centre Cutters



SIZE INS (MM)	FINISH	MIN. ORDER QTY	CODE
8 (200)	Red	1	618 0040

OPTIMUM WIRE CUTTING CAPACITY

HARD	MEDIUM	SOFT
2.00	2.00	2.00

Mini Bolt Cutters

MIN. ORDER QTY

CODE

1

618 0060



OPTIMUM WIRE CUTTING CAPACITY

HARD	MEDIUM	SOFT
1.50	3.50	5.00



SITEMATE
BY BIRKDALE

PROFESSIONAL ALUMINIUM LEVELS

Robust heavy duty cast aluminium construction levels available in a range of lengths.

- Accurate to 0.5mm per metre
- Smart blue powder coat finish
- Magnetic, ideal for use with DuraPost

Precision milled face

Two fixed acrylic vials

Large handles for ease of use

Machined 90° ends; ideal for marking out

Cast aluminium 'I' beam section for strength and stability

PREMIUM QUALITY

PRE PACKED

SITEMATE® Professional Aluminium Level (2 Vials)

Professional quality, multi-purpose tool ideal for a wide range of uses



FINISH	LENGTH INS (MM)	MIN. ORDER QTY	OUTER CARTON QTY	CODE
Blue	12 (300)	1	60	610 0120
Blue	24 (600)	1	36	610 1240
Blue	40 (1000)	1	18	610 0400

Our 12in SiteMate Professional Aluminium Level is magnetic!



Post Levels (3 Vials)



LENGTH INS (MM)	MIN. ORDER QTY	CODE
6 (150)	1	610 0010

SITEMATE® Retractable Tape Measure



Supplied in counter display boxes

LENGTH (M)	MIN. ORDER QTY	CODE
3	12	617 0030

SITEMATE
BY BIRKDALE

PREMIUM TAPE MEASURE

Our premium 5m tape measure is perfect for measuring fencing projects.

- MID II Certified means measurements are reliable
- Measurements are printed in metric and imperial, both sides, for ease of use
- Comes in a point of sale box



SITEMATE® Premium Tape Measure MID II

Supplied in counter display boxes



LENGTH (M)	MIN. ORDER QTY	CODE
5 (Mid II certified)	12	617 0150

SITEMATE
BY BIRKDALE

OPEN FRAME FIBREGLASS MEASURE

The SITEMATE® tape reel is impervious to moisture and scuffing.

- Ideal to use in muddy, wet conditions

Comfortable non slip rubber handle grip with easy to use winding ability

Durable ABS casing

Geared mechanism providing fast retraction

Measurements in metric and imperial, printed both sides, for easy reading



SITEMATE® Open Frame Fibreglass Measure

LENGTH (M)	MIN. ORDER QTY	CODE
50	1	617 0500



SITEMATE® Measuring Wheel Metric

LENGTH (M)	MIN. ORDER QTY	CODE
0 - 9999.9	1	617 9990



SITEMATE® Carpenters Pencils

SITEMATE® carpenters pencils are versatile and suited to many trades; carpentry, building and fencing alike!

DESC	FINISH	SIZE INS (MM)	MIN. ORDER QTY	OUTER CARTON QTY	CODE
Pack of 12	Black	7 (175)	1	10	637 0020



SITEMATE
BY BIRKDALE

LOCKING UTILITY KNIFE

- Locking action locks blade in open position
- Easy blade change with quick release lever
- Ergonomic handle design
- Comes with 10 blades



SITEMATE® Locking Utility Knife with 10 Blades



- Locking action locks blade in open position
- Easy blade change with quick release lever
- Ergonomic handle design
- Comes with 10 blades

FINISH	SIZE (MM)	MIN. ORDER QTY	OUTER CARTON QTY	CODE
Black Anodised	155 open, 95 closed	1	10	637 0000



DuraPost
BY BIRKDALE

ALUMINIUM GATE KIT

VERSATILE DESIGN

All the kit you need
to make an entrance

Every project is different, which is why we've designed a gate that adjusts to any outside space. The DuraPost Aluminium Gate Kit combines privacy and security with flexibility.

COLOURS



PAGE
248



Other Tools & Accessories

SITEMATE® Endless Lashing Strap

STRAP WIDTH INS (MM)	LENGTH (M)	MAX LOAD (KG)	MIN. ORDER QTY	CODE
1 (25)	3.6	100	10	140 00360

Supplied in display packs

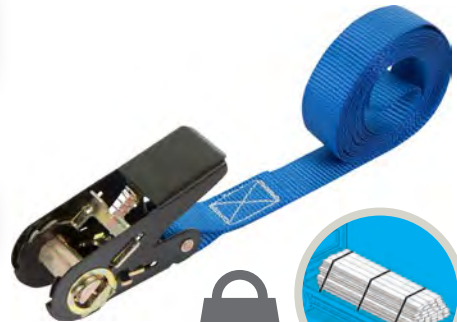


SITEMATE® Endless Ratchet Strap

SITEMATE® Endless Ratchet Straps are ideal for securing medium weight loads

STRAP WIDTH INS (MM)	LENGTH (M)	MAX LOAD (KG)	MIN. ORDER QTY	CODE
1 (25)	3.6	250	10	140 30360

Supplied in display packs



SITEMATE® Ratchet Tie Down with Chassis Hooks

SITEMATE® Ratchet Tie Downs with Chassis Hooks are ideal for securing medium weight loads

STRAP WIDTH INS (MM)	LENGTH (M)	MAX LOAD (KG)	MIN. ORDER QTY	CODE
1 (25)	4	250	10	140 60400

Supplied in display packs

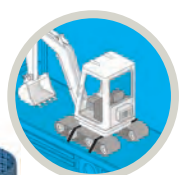
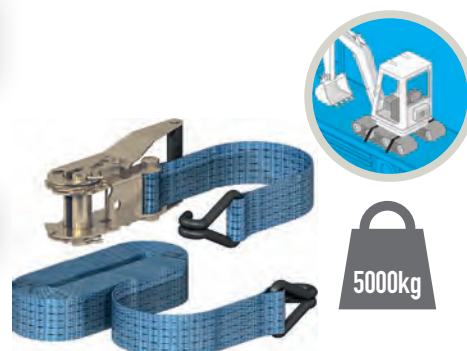


SITEMATE® Heavy Duty Ratchet Tie Down with Chassis Hooks

SITEMATE® Heavy Duty Ratchet Tie Downs with Chassis Hooks are ideal for securing heavy weight loads

STRAP WIDTH INS (MM)	LENGTH (M)	MAX LOAD (KG)	MIN. ORDER QTY	CODE
2 (50)	10	5000	5	140 71000

Supplied in display packs



SITEMATE® Ratchet Tie Down with Chassis Hooks & D Rings



SITEMATE® Ratchet Tie Downs with Chassis Hooks and D Rings are ideal for securing medium to heavy weight loads

STRAP WIDTH INS (MM)	LENGTH (M)	MAX LOAD (KG)	UNIT QTY	MIN. ORDER QTY	CODE
1 (25)	4.2	250	Pack of 2	10 Packs	140 50450

Supplied in display packs

SITEMATE® Heavy Duty Ratchet Tie Down with Chassis Hooks & D Rings



SITEMATE® Heavy Duty Ratchet Tie Downs with Chassis Hooks and D Rings are ideal for securing heavy weight loads

STRAP WIDTH INS (MM)	LENGTH (M)	MAX LOAD (KG)	MIN. ORDER QTY	CODE
1 (25)	4.2	450	10	140 40480

Supplied in display packs

SITEMATE® Ratchet Tie Down with S Hooks



SITEMATE® Ratchet Tie Downs with S Hooks are ideal for securing medium weight loads

STRAP WIDTH INS (MM)	LENGTH (M)	MAX LOAD (KG)	MIN. ORDER QTY	CODE
1 (25)	4.2	250	10	140 10420

Supplied in display packs

SITEMATE® Elastic Tie Down with 4mm Hooks



STRAP WIDTH INS (MM)	LENGTH INS (MM)	MIN. ORDER QTY	OUTER CARTON QTY	CODE
3/8 (8)	24 (600)	10	100	141 00600
3/8 (8)	30 (750)	10	100	141 00750
3/8 (8)	36 (900)	10	100	141 00900

Supplied in display packs

SITEMATE® Multi-Claw Elastic Tie Down

SITEMATE® Multi-claw elastic tie downs are perfect for securing lightweight luggage

DESC	STRAP WIDTH INS (MM)	LENGTH INS (MM)	MIN. ORDER QTY	OUTER CARTON QTY	CODE
4 Claw	3/8 (8)	24 (600)	10	40	141 10600
6 Claw	3/8 (8)	32 (800)	20	40	141 20800

Supplied in display packs



SITEMATE® Blue Polypropylene Rope Coil

LENGTH (M)	GAUGE/DIAMETER	MIN. ORDER QTY	CODE
30	6mm	1	223 3060
30	8mm	1	223 3080
30	10mm	1	223 3100
30	12mm	1	223 3120

Pre-cut lengths available in 6mm and 8mm - see page 73



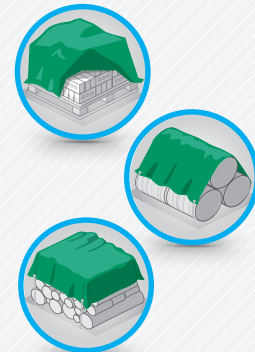
SITEMATE®
BY BIRKDALE

POLYTHENE TARPULIN

Suitable for fencing, construction, agricultural and marine environments

- Robust polythene construction with rope reinforced hems
- Comprehensive range of sizes
- Includes aluminium eyelets every 1m; perfect for using with rope or bungees
- Waterproof, shrink proof and UV protected

Full box quantities supplied in counter display boxes



PREMIUM QUALITY

PRE PACKED

SITEMATE® Polythene Tarpaulin

Edging construction includes rope to prevent stretching

FINISH	SIZE (M)	WEIGHT (GSM)	MIN. ORDER QTY	CODE
Green	3.6 x 2.7	80	24	143 36270
Green	5.4 x 3.5	80	12	143 54350
Green	7.0 x 5.4	80	6	143 70540
Green	11.0 x 7.0	90	3	143 11070
Green	14.0 x 9.0	90	2	143 14090

Supplied in display boxes



SITEMATE® Polythene Bucket



FINISH	VOLUME	MIN. ORDER QTY	CODE
Black Polythene	3 gallons	1	604 0010

SITEMATE® Blue Flexi Bucket



FINISH	VOLUME	MIN. ORDER QTY	CODE
Blue	26 Litres	25	604 2610
Blue	42 Litres	25	604 4210

NEW

Cutting Discs for Metal



SIZE INS (MM)	MIN. ORDER QTY	CODE
4½ (115)	10	607 0050
9 (230)	10	607 0070
12 (300)	10	607 0080

SITEMATE® Fencers Line

NEW



LENGTH (M)	MIN. ORDER QTY	CODE
50	12	616 0500

Paints and Adhesives

Chemset Injection System

Two part chemical compound bonding system used with studding to anchor wall and floor plates

DESC	MIN. ORDER QTY	OUTER CARTON QTY	CODE
Dispensing Gun	1	-	426 0030
380ml Cartridge	1	12	426 0010
Standard Mixer Nozzles	1	25	426 0040



Black Touch Up Paint and Brush

FINISH	VOLUME	MIN. ORDER QTY	CODE
Satin Black	25ml	4	650 0000



Cold Galv Aerosol

Can be used on clean metal or light rust

COLOUR	VOLUME	MIN. ORDER QTY	OUTER CARTON QTY	CODE
Black	500ml	1	12	650 4000
Zinc*	500ml	1	12	650 5000

*Ideal for touching up galvanised steel work, requires undercoat



Line Marking Paint

COLOUR	VOLUME	MIN. ORDER QTY	OUTER CARTON QTY	CODE
Red	750ml	1	6	650 7000R
White	750ml	1	6	650 7000W
Yellow	750ml	1	6	650 7000Y



FIXINGS

Specialist fixings designed by fencers for fencers.

FAST, EFFECTIVE AND POWERFUL

Our range of SITEMATE® fixings have unique features designed to provide maximum efficiency, speed and power for the fencing contractor.



Nails & Staples

SITEMATE® Round Wire Nails



FINISH	LENGTH INS (MM)	GAUGE (MM)	MIN. ORDER QTY	CODE
½kg Bag				
Galvanised	1½ (40)	2.36	30 Bags	601 0171
Galvanised	2 (50)	2.65	30 Bags	601 0191
Galvanised	2½ (65)	2.65	30 Bags	601 0101
Galvanised	3 (75)	3.35	30 Bags	601 0081
Galvanised	4 (100)	4.00	30 Bags	601 0051
Galvanised	4 (100)	4.50	30 Bags	601 0041
Galvanised	5 (125)	5.60	30 Bags	601 0021
Galvanised	6 (150)	6.00	30 Bags	601 0111

SITEMATE® Round Wire Nails Continued

FINISH	LENGTH INS (MM)	GAUGE (MM)	MIN. ORDER QTY	CODE
1kg Bag				
Galvanised	1½ (40)	2.36	15 Bags	611 0171
Galvanised	1½ (40)	2.65	15 Bags	611 0161
Galvanised	2 (50)	2.65	15 Bags	611 0191
Galvanised	2½ (65)	2.65	15 Bags	611 0101
Galvanised	3 (75)	3.35	15 Bags	611 0081
Galvanised	4 (100)	4.00	15 Bags	611 0051
Galvanised	4 (100)	4.50	15 Bags	611 0041
Galvanised	5 (125)	5.60	15 Bags	611 0021
Galvanised	6 (150)	6.00	15 Bags	611 0011

2.5kg Bag				
Galvanised	1½ (40)	2.36	6 Bags	621 0171
Galvanised	1½ (40)	2.65	6 Bags	621 0161
Galvanised	2 (50)	2.65	6 Bags	621 0191
Galvanised	2½ (65)	2.65	6 Bags	621 0101
Galvanised	3 (75)	3.35	6 Bags	621 0081
Galvanised	4 (100)	4.00	6 Bags	621 0051
Galvanised	4 (100)	4.50	6 Bags	621 0041
Galvanised	5 (125)	5.60	6 Bags	621 0021
Galvanised	6 (150)	6.00	6 Bags	621 0011

5kg Tub				
Galvanised	2 (50)	2.65	1 Tub	626 1131
Galvanised	2½ (65)	2.65	1 Tub	626 1111
Galvanised	3 (75)	3.35	1 Tub	626 0811
Galvanised	4 (100)	4.00	1 Tub	626 0511

10kg Tub				
Galvanised	1½ (40)	2.36	1 Tub	626 0171
Galvanised	2 (50)	2.65	1 Tub	626 0131
Galvanised	2½ (65)	2.65	1 Tub	626 0111
Galvanised	3 (75)	3.35	1 Tub	626 0081
Galvanised	4 (100)	4.00	1 Tub	626 0051
Galvanised	4 (100)	4.50	1 Tub	626 0041
Galvanised	5 (125)	5.60	1 Tub	626 0031
Galvanised	6 (150)	6.00	1 Tub	626 0011



Count table of round wire nails per Kg. (approx)

MM	150	125	115	100	90	75	65	60	50	45	40	30	25	20
6.0	31	-	-	-	-	-	-	-	-	-	-	-	-	-
5.6	-	42	-	-	-	-	-	-	-	-	-	-	-	-
5.0	-	51	55	66	-	-	-	-	-	-	-	-	-	-
4.5	-	-	-	79	-	-	-	-	-	-	-	-	-	-
4.0	-	-	-	101	106	128	-	-	-	-	-	-	-	-
3.75	-	-	-	-	-	145	-	-	-	-	-	-	-	-
3.35	-	-	-	-	-	187	216	236	284	-	-	-	-	-
3.0	-	-	-	-	-	-	265	-	342	-	-	-	-	-
2.65	-	-	-	-	-	-	346	372	441	-	542	-	-	-
2.36	-	-	-	-	-	-	-	-	538	591	661	-	-	-
2.0	-	-	-	-	-	-	-	-	-	882	891	1241	1446	-
1.8	-	-	-	-	-	-	-	-	-	-	-	-	1847	-
1.6	-	-	-	-	-	-	-	-	-	-	-	-	2295	2685

SITEMATE® Round Wire Nails Continued



FINISH	LENGTH INS (MM)	GAUGE (MM)	MIN. ORDER QTY	OUTER CARTON QTY	CODE
25kg Box					
Bright	1½ (40)	2.36	1 Box	48 Boxes	401 0174
Bright	2 (50)	2.65	1 Box	48 Boxes	401 0134
Bright	3 (75)	3.35	1 Box	48 Boxes	401 0084
Bright	3 (75)	3.75	1 Box	48 Boxes	401 0074
Bright	4 (100)	4.00	1 Box	48 Boxes	401 0054
Bright	4 (100)	4.50	1 Box	48 Boxes	401 0044
Galvanised	1¼ (30)	2.36	1 Box	48 Boxes	401 0181
Galvanised	1½ (40)	2.36	1 Box	48 Boxes	401 0171
Galvanised	1½ (40)	2.65	1 Box	48 Boxes	401 0161
Galvanised	2 (50)	2.65	1 Box	48 Boxes	401 0131
Galvanised	2½ (65)	2.65	1 Box	48 Boxes	401 0111
Galvanised	2½ (65)	3.35	1 Box	48 Boxes	401 0101
Galvanised	3 (75)	3.35	1 Box	48 Boxes	401 0081
Galvanised	3 (75)	3.75	1 Box	48 Boxes	401 0071
Galvanised	3½ (90)	4.00	1 Box	48 Boxes	401 0061
Galvanised	4 (100)	4.00	1 Box	48 Boxes	401 0051
Galvanised	4 (100)	4.50	1 Box	48 Boxes	401 0041
Galvanised	5 (125)	5.60	1 Box	48 Boxes	401 0021
Galvanised	6 (150)	6.00	1 Box	48 Boxes	401 0011

BEST SELLER ★

BEST SELLER ★

SITEMATE® Extra Large Head Clout Nails



FINISH	LENGTH INS (MM)	GAUGE (MM)	MIN. ORDER QTY	CODE
1kg Bag				
Galvanised	½ (13)	3.00	15 Bags	612 0061
Galvanised	¾ (20)	3.00	15 Bags	612 0051
Galvanised	1¼ (30)	3.00	15 Bags	612 0031
Galvanised	1½ (40)	3.00	15 Bags	612 0021
Galvanised	2 (50)	3.00	15 Bags	612 0011
25kg Box				
Galvanised	½ (13)	3.00	1 Box	402 0061
Galvanised	¾ (20)	3.00	1 Box	402 0051
Galvanised	1 (25)	3.00	1 Box	402 0041
Galvanised	1¼ (30)	3.00	1 Box	402 0031
Galvanised	1½ (40)	3.00	1 Box	402 0021
Galvanised	2 (50)	3.00	1 Box	402 0011

SITEMATE® Square Twisted Nails

FINISH	LENGTH INS (MM)	GAUGE (MM)	MIN. ORDER QTY	CODE
1kg Bag				
Galvanised	1¼ (30)	3.75	15 Bags	614 0301
2.5kg Bag				
Galvanised	1¼ (30)	3.75	6 Bags	624 0301
25kg Box				
Galvanised	1¼ (30)	3.75	1 Box	400 0301



SITEMATE® Spring Head Roofing Nails

FINISH	LENGTH INS (MM)	GAUGE (MM)	MIN. ORDER QTY	CODE
10kg Box				
Galvanised	2½ (65)	3.35	1 Box	410 0651



SITEMATE® Annular Ring Shank Nails

FINISH	LENGTH INS (MM)	GAUGE (MM)	MIN. ORDER QTY	CODE
1kg Bag				
Sherardised	1½ (40)	2.65	15 Bags	613 0081
Sherardised	2 (50)	2.65	15 Bags	613 0071
Sherardised	2½ (65)	3.35	15 Bags	613 0041
Sherardised	4 (100)	5.00	15 Bags	613 0021
2.5kg Bag				
Sherardised	1½ (40)	2.65	6 Bags	623 0081
Sherardised	2 (50)	2.65	6 Bags	623 0071
Sherardised	2½ (65)	3.35	6 Bags	623 0041
25kg Box				
Bright	2½ (65)	3.35	1 Box	403 0044
Bright	3 (75)	3.75	1 Box	403 0034
Sherardised	1½ (40)	2.65	1 Box	403 0081
Sherardised	2 (50)	2.65	1 Box	403 0071
Sherardised	2½ (65)	3.35	1 Box	403 0041
Sherardised*	4 (100)	5.00	1 Box	403 0021



* Special Order Only

SITEMATE® Cut Point Staples



FINISH	LENGTH INS (MM)	GAUGE (MM)	MIN. ORDER QTY	CODE
½kg Bag				
Galvanised	¾ (20)	2.00	30 Bags	605 0201
Galvanised	1 (25)	2.65	30 Bags	605 0251
Galvanised	1¼ (30)	3.55	30 Bags	605 0301
Galvanised	1½ (40)	4.00	30 Bags	605 0401



1kg Bag				
Galvanised	¾ (20)	2.00	15 Bags	615 0201
Galvanised	1 (25)	2.65	15 Bags	615 0251
Galvanised	1¼ (30)	3.55	15 Bags	615 0301
Galvanised	1½ (40)	4.00	15 Bags	615 0401
Galvanised	2 (50)	5.00	15 Bags	615 0501



2.5kg Bag				
Galvanised	¾ (20)	2.00	6 Bags	625 0201
Galvanised	1 (25)	2.65	6 Bags	625 0251
Galvanised	1¼ (30)	3.55	6 Bags	625 0301
Galvanised	1½ (40)	4.00	6 Bags	625 0401
Galvanised	2 (50)	5.00	6 Bags	625 0501



5kg Tub				
Galvanised	¾ (20)	2.00	1 Tub	625 1201
Galvanised	1 (25)	2.65	1 Tub	625 1251
Galvanised	1¼ (30)	3.55	1 Tub	625 1301
Galvanised	1½ (40)	4.00	1 Tub	625 1401
Galvanised*	2 (50)	5.00	1 Tub	625 1501



10kg Tub				
Galvanised	1¼ (30)	3.55	1 Tub	625 2301
Galvanised	1½ (40)	4.00	1 Tub	625 2401



25kg Box				
Galvanised	¾ (20)	2.00	1 Box	405 0201
Galvanised	1 (25)	2.65	1 Box	405 0251
Galvanised	1¼ (30)	3.55	1 Box	405 0301
Galvanised	1½ (40)	4.00	1 Box	405 0401
Galvanised	2 (50)	5.00	1 Box	405 0501

* Special Order Only

SITEMATE® Barbed Staples



FINISH	LENGTH INS (MM)	GAUGE (MM)	MIN. ORDER QTY	CODE
2.5kg Bag				
Galvanised	1¼ (30)	3.55	6 Bags	628 0301
Galvanised	1½ (40)	4.00	6 Bags	628 0401



10kg Tub				
Galvanised	1¼ (30)	3.55	1 Tub	629 0301
Galvanised	1½ (40)	4.00	1 Tub	629 0401



25kg Box				
Galvanised	1½ (40)	4.00	1 Box	405 1401

SITEMATE® Masonry Nails

FINISH	LENGTH INS (MM)	GAUGE (MM)	MIN. ORDER QTY	CODE
Box of 100				
BZP	4 (100)	3.50	100	404 1002



HAVE YOU SEEN OUR RETAIL DISPLAY SYSTEMS?

GATEMATE®
BY BIRKDALE

FENCEMATE®
BY BIRKDALE

SITEMATE®
BY BIRKDALE

Effective retail displays are proven to increase impulse sales and drive profitability

Our Regional Sales Managers will work with your store to select a range of our products across our GateMate, FenceMate, DuraPost and SiteMate brands to help fulfill the needs of you and your customers.

We cover the whole of the UK and Ireland and will work with you to generate demand from your customers



We're always open at www.birkdalesales.com 

T 0345 450 9000 **F** 0345 450 9085 **E** mail@birkdalesales.com

SITEMATE
BY BIRKDALE

COLLATED NAILS

Fed up of your gun jamming? SITEMATE®'s paper collated nails have unique features that ensure your gun runs all the time.

- Waxed paper collation avoids deterioration in wet conditions
- Complies with EN792-13:2000 7.2.1a and the requirements of all major manufacturers
- Compatible with gas, air and electric clipped head nailers

Gas with lubrication

Clipped head to increase the number of nails per strip, reducing tool loading times

34° collation angle

Diamond point to prevent timber splitting

Nails are coated to help them drive in effectively



SITEMATE® Collated Ring Shank Nails

Includes 1 fuel cell per 1100 nails



FINISH	LENGTH INS (MM)	GAUGE (MM)	UNIT QTY	MIN. ORDER QTY	CODE
Box					
E/Galv	2 (50)	2.90	3300	1	682 0502
E/Galv	2½ (65)	2.90	3300	1	682 0652
E/Galv	3 (76)	3.10	2200	1	682 0762
Galvanised	2 (50)	2.90	3300	1	682 0501
Galvanised	2½ (65)	2.90	3300	1	682 0651
Galvanised	3 (76)	3.10	2200	1	682 0761

SITEMATE® Collated Smooth Shank Nails

Includes 2 fuel cells



FINISH	LENGTH INS (MM)	GAUGE (MM)	UNIT QTY	MIN. ORDER QTY	CODE
Box					
E/Galv	3½ (90)	3.10	2200	1	682 0902
Galvanised	3½ (90)	3.10	2200	1	682 0901

SITEMATE® Fuel Cells

DESC	MIN. ORDER QTY	CODE
Gas	1	682 0000



NailFire® Collated Ring Shank Nails

Includes 1 fuel cell per 1000 nails

FINISH	LENGTH INS (MM)	GAUGE (MM)	UNIT QTY	MIN. ORDER QTY	PALLET QTY	CODE
Handy Pack Tub						
BZP	2 (50)	2.90	1000	1	-	631 0502
BZP	2½ (65)	2.90	1000	1	-	631 0652
BZP	3 (76)	3.10	1000	1	-	631 0762
Trade Pack Tub						
BZP	2 (50)	2.90	3000	1	64	632 0502
BZP	2½ (65)	2.90	3000	1	64	632 0652
BZP	3 (76)	3.10	2000	1	64	632 0762
Galvanised	2 (50)	2.90	3000	1	64	632 0501
Galvanised	2½ (65)	2.90	3000	1	64	632 0651
Galvanised	3 (76)	3.10	2000	1	64	632 0761



NailFire® Collated Smooth Nails

1 fuel cell per 1000 nails included

FINISH	LENGTH INS (MM)	GAUGE (MM)	UNIT QTY	MIN. ORDER QTY	PALLET QTY	CODE
Trade Pack Tub						
Galvanised	3½ (90)	3.10	2000	1	64	632 0901
BZP	3½ (90)	3.10	2000	1	64	632 0902
Handy Pack Tub						
BZP	3½ (90)	3.10	1000	1	-	631 0902



NailFire® Fuel Cell

DESC	MIN. ORDER QTY	CODE
Lubricated gas	1	632 0000



Woodscrews

SITEMATE
BY BIRKDALE

POWER PRO® TIMBER SCREWS

- Available in BZP, ruspert silver or black
- Ruspert screws are 500 hours salt spray tested, offering very high corrosion resistance!
- Ruspert finishes are designed for outdoor ironmongery use

Special thread geometry with molecular lubrication

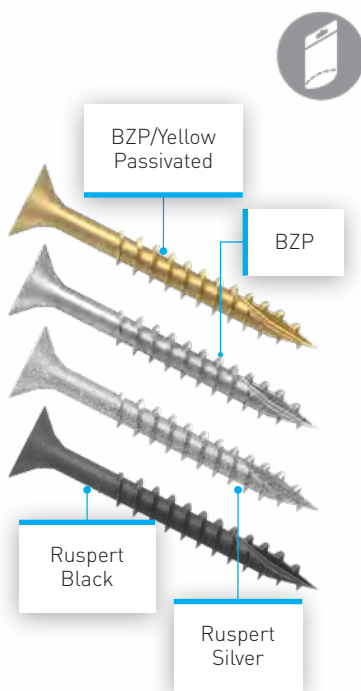
Double countersunk or standard pan head for increased head strength

Super sharp cutpoint tip

PREMIUM
QUALITY

PRE
PACKED

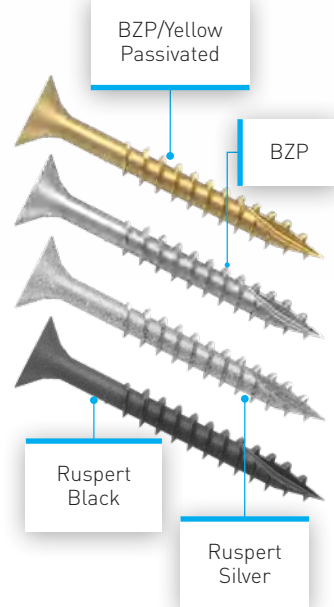
SITEMATE® Countersunk PowerPro® Timber Screw



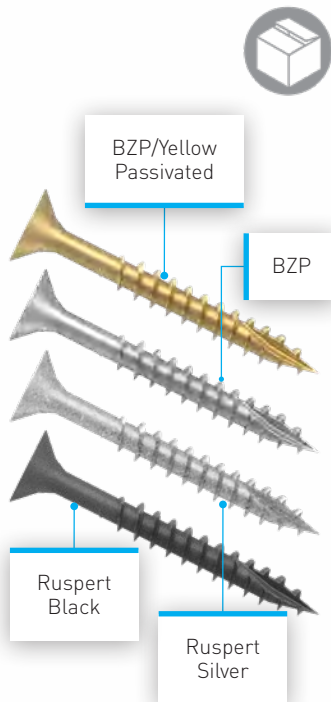
FINISH	SIZE (MM)	IMPERIAL EQUIV	MIN. ORDER QTY	CODE
Bag of 25				
Yellow Passivated	4 x 25	8 x 1	5 Bags	394 00258
Yellow Passivated	4 x 30	8 x 1¼	5 Bags	394 00308
Yellow Passivated	4 x 40	8 x 1½	5 Bags	394 00408
Yellow Passivated	5 x 30	10 x 1¼	5 Bags	395 00308
Yellow Passivated	5 x 40	10 x 1½	5 Bags	395 00408
Yellow Passivated	5 x 50	10 x 2	5 Bags	395 00508
Yellow Passivated	5 x 80	10 x 3¼	5 Bags	395 00808
Yellow Passivated	6 x 40	12 x 1½	5 Bags	396 00408
Yellow Passivated	6 x 50	12 x 2	5 Bags	396 00508
Yellow Passivated	6 x 80	12 x 3¼	5 Bags	396 00808
Ruspert Black	4 x 25	8 x 1	5 Bags	394 00253
Ruspert Black	4 x 30	8 x 1¼	5 Bags	394 00303
Ruspert Black	4 x 40	8 x 1½	5 Bags	394 00403
Ruspert Black	5 x 30	10 x 1¼	5 Bags	395 00303
Ruspert Black	5 x 40	10 x 1½	5 Bags	395 00403
Ruspert Black	5 x 50	10 x 2	5 Bags	395 00503
Ruspert Black	6 x 40	12 x 1½	5 Bags	396 00403
Ruspert Black	6 x 50	12 x 2	5 Bags	396 00503
Ruspert Black	6 x 80	12 x 3¼	5 Bags	396 00803
Ruspert Silver	4 x 30	8 x 1¼	5 Bags	394 00301
Ruspert Silver	4 x 40	8 x 1½	5 Bags	394 00401
Ruspert Silver	5 x 40	10 x 1½	5 Bags	395 00401
Ruspert Silver	5 x 50	10 x 2	5 Bags	395 00501
Ruspert Silver	6 x 40	12 x 1½	5 Bags	396 00401
Ruspert Silver	6 x 50	12 x 2	5 Bags	396 00501
Ruspert Silver	6 x 80	12 x 3¼	5 Bags	396 00801
Ruspert Silver	6 x 90	12 x 3½	5 Bags	396 00901

SITEMATE® Countersunk PowerPro® Timber Screw Continued

FINISH	SIZE (MM)	IMPERIAL EQUIV	UNIT QTY	INNER CARTON QTY	OUTER CARTON QTY	CODE
Box						
BZP	3.5 x 25	6 x 1	Box of 200	10 Boxes	120 Boxes	373 50252
BZP	3.5 x 30	6 x 1¼	Box of 200	10 Boxes	60 Boxes	373 50302
BZP	3.5 x 40	6 x 1½	Box of 200	10 Boxes	60 Boxes	373 50402
BZP	3.5 x 50	6 x 2	Box of 200	10 Boxes	60 Boxes	373 50502
BZP	4 x 25	8 x 1	Box of 200	10 Boxes	60 Boxes	374 00252
BZP	4 x 30	8 x 1¼	Box of 200	10 Boxes	60 Boxes	374 00302
BZP	4 x 40	8 x 1½	Box of 200	5 Boxes	40 Boxes	374 00402
BZP	4 x 45	8 x 1¾	Box of 200	5 Boxes	40 Boxes	374 00452
BZP	4 x 50	8 x 2	Box of 200	5 Boxes	40 Boxes	374 00502
BZP	4 x 60	8 x 2⅜	Box of 100	5 Boxes	60 Boxes	374 00602
BZP	4 x 70	8 x 2¾	Box of 100	5 Boxes	60 Boxes	374 00702
BZP	4.5 x 25	9 x 1	Box of 200	10 Boxes	60 Boxes	374 50252
BZP	4.5 x 30	9 x 1¼	Box of 200	10 Boxes	60 Boxes	374 50302
BZP	4.5 x 40	9 x 1½	Box of 200	5 Boxes	40 Boxes	374 50402
BZP	4.5 x 50	9 x 2	Box of 200	5 Boxes	30 Boxes	374 50502
BZP	4.5 x 70	9 x 2¾	Box of 100	5 Boxes	40 Boxes	374 50702
BZP	5 x 30	10 x 1¼	Box of 200	5 Boxes	40 Boxes	375 00302
BZP	5 x 40	10 x 1½	Box of 200	5 Boxes	20 Boxes	375 00402
BZP	5 x 50	10 x 2	Box of 200	5 Boxes	20 Boxes	375 00502
BZP	5 x 60	10 x 2⅜	Box of 100	5 Boxes	40 Boxes	375 00602
BZP	5 x 70	10 x 2¾	Box of 100	5 Boxes	40 Boxes	375 00702
BZP	5 x 80	10 x 3¼	Box of 100	5 Boxes	20 Boxes	375 00802
BZP	5 x 90	10 x 3½	Box of 100	5 Boxes	20 Boxes	375 00902
BZP	5 x 100	10 x 4	Box of 100	5 Boxes	20 Boxes	375 01002
BZP	6 x 40	12 x 1½	Box of 100	5 Boxes	40 Boxes	376 00402
BZP	6 x 50	12 x 2	Box of 100	5 Boxes	40 Boxes	376 00502
BZP	6 x 60	12 x 2⅜	Box of 100	5 Boxes	20 Boxes	376 00602
BZP	6 x 80	12 x 3¼	Box of 100	5 Boxes	20 Boxes	376 00802
BZP	6 x 90	12 x 3½	Box of 100	5 Boxes	20 Boxes	376 00902
BZP	6 x 100	12 x 4	Box of 100	1 Box	9 Boxes	376 01002
Yellow Passivated	3 x 12	5 x ½	Box of 200	15 Boxes	150 Boxes	373 00128
Yellow Passivated	3 x 16	5 x ⅝	Box of 200	15 Boxes	150 Boxes	373 00168
Yellow Passivated	3 x 20	5 x ¾	Box of 200	15 Boxes	150 Boxes	373 00208
Yellow Passivated	3 x 25	5 x 1	Box of 200	15 Boxes	150 Boxes	373 00258
Yellow Passivated	3 x 30	5 x 1¼	Box of 200	10 Boxes	120 Boxes	373 00308
Yellow Passivated	3.5 x 16	6 x ⅝	Box of 200	10 Boxes	120 Boxes	373 50168
Yellow Passivated	3.5 x 25	6 x 1	Box of 200	10 Boxes	120 Boxes	373 50258
Yellow Passivated	3.5 x 30	6 x 1¼	Box of 200	10 Boxes	60 Boxes	373 50308
Yellow Passivated	3.5 x 40	6 x 1½	Box of 200	10 Boxes	60 Boxes	373 50408
Yellow Passivated	3.5 x 50	6 x 2	Box of 200	10 Boxes	60 Boxes	373 50508
Yellow Passivated	4 x 25	8 x 1	Box of 200	10 Boxes	60 Boxes	374 00258
Yellow Passivated	4 x 30	8 x 1¼	Box of 200	10 Boxes	60 Boxes	374 00308
Yellow Passivated	4 x 40	8 x 1½	Box of 200	5 Boxes	40 Boxes	374 00408
Yellow Passivated	4 x 45	8 x 1¾	Box of 200	5 Boxes	40 Boxes	374 00458
Yellow Passivated	4 x 50	8 x 2	Box of 200	5 Boxes	40 Boxes	374 00508
Yellow Passivated	4 x 60	8 x 2⅜	Box of 100	5 Boxes	60 Boxes	374 00608
Yellow Passivated	4 x 70	8 x 2¾	Box of 100	5 Boxes	60 Boxes	374 00708
Yellow Passivated	4.5 x 25	9 x 1	Box of 200	10 Boxes	60 Boxes	374 50258
Yellow Passivated	4.5 x 30	9 x 1¼	Box of 200	10 Boxes	60 Boxes	374 50308



SITEMATE® Countersunk PowerPro® Timber Screw Continued



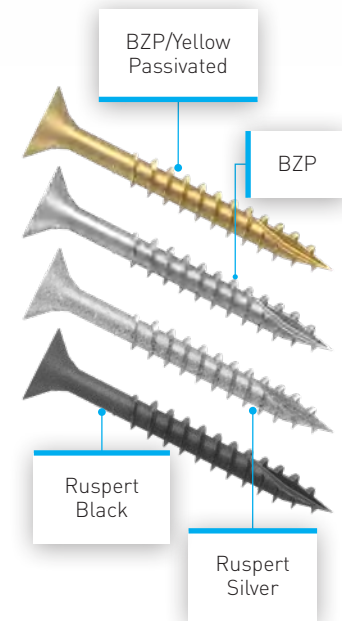
FINISH	SIZE (MM)	IMPERIAL EQUIV	UNIT QTY	INNER CARTON QTY	OUTER CARTON QTY	CODE
Box Continued						
Yellow Passivated	4.5 x 40	9 x 1½	Box of 200	5 Boxes	40 Boxes	374 50408
Yellow Passivated	4.5 x 50	9 x 2	Box of 200	5 Boxes	30 Boxes	374 50508
Yellow Passivated	4.5 x 70	9 x 2¾	Box of 100	5 Boxes	40 Boxes	374 50708
Yellow Passivated	5 x 30	10 x 1¼	Box of 200	5 Boxes	40 Boxes	375 00308
Yellow Passivated	5 x 40	10 x 1½	Box of 200	5 Boxes	20 Boxes	375 00408
Yellow Passivated	5 x 50	10 x 2	Box of 200	5 Boxes	20 Boxes	375 00508
Yellow Passivated	5 x 60	10 x 2¾	Box of 100	5 Boxes	40 Boxes	375 00608
Yellow Passivated	5 x 70	10 x 2¾	Box of 100	5 Boxes	40 Boxes	375 00708
Yellow Passivated	5 x 80	10 x 3¼	Box of 100	5 Boxes	20 Boxes	375 00808
Yellow Passivated	5 x 90	10 x 3½	Box of 100	5 Boxes	20 Boxes	375 00908
Yellow Passivated	5 x 100	10 x 4	Box of 100	5 Boxes	40 Boxes	375 01008
Yellow Passivated	6 x 40	12 x 1½	Box of 100	5 Boxes	40 Boxes	376 00408
Yellow Passivated	6 x 50	12 x 2	Box of 100	5 Boxes	20 Boxes	376 00508
Yellow Passivated	6 x 60	12 x 2¾	Box of 100	5 Boxes	20 Boxes	376 00608
Yellow Passivated	6 x 80	12 x 3¼	Box of 100	5 Boxes	20 Boxes	376 00808
Yellow Passivated	6 x 90	12 x 3½	Box of 100	5 Boxes	20 Boxes	376 00908
Yellow Passivated	6 x 100	12 x 4	Box of 100	1 Box	9 Boxes	376 01008
Yellow Passivated	6 x 120	12 x 4¾	Box of 100	1 Box	9 Boxes	376 01208
Yellow Passivated	6 x 130	12 x 5½	Box of 100	1 Box	9 Boxes	376 01308
Yellow Passivated	6 x 150	12 x 5	Box of 100	1 Box	9 Boxes	376 01508
Ruspert Black	3.5 x 25	6 x 1	Box of 200	10 Boxes	120 Boxes	373 50253
Ruspert Black	4 x 25	8 x 1	Box of 200	10 Boxes	60 Boxes	374 00253
Ruspert Black	4 x 30	8 x 1¼	Box of 200	10 Boxes	60 Boxes	374 00303
Ruspert Black	4 x 40	8 x 1½	Box of 200	5 Boxes	40 Boxes	374 00403
Ruspert Black	4.5 x 50	9 x 2	Box of 200	5 Boxes	30 Boxes	374 50503
Ruspert Black	4.5 x 70	9 x 2¾	Box of 100	5 Boxes	40 Boxes	374 50703
Ruspert Black	5 x 30	10 x 1¼	Box of 200	5 Boxes	40 Boxes	375 00303
Ruspert Black	5 x 40	10 x 1½	Box of 200	5 Boxes	20 Boxes	375 00403
Ruspert Black	5 x 50	10 x 2	Box of 200	5 Boxes	20 Boxes	375 00503
Ruspert Black	5 x 70	10 x 2¾	Box of 100	5 Boxes	40 Boxes	375 00703
Ruspert Black	6 x 40	12 x 1½	Box of 100	5 Boxes	40 Boxes	376 00403
Ruspert Black	6 x 50	12 x 2	Box of 100	5 Boxes	40 Boxes	376 00503
Ruspert Black	6 x 60	12 x 2¾	Box of 100	5 Boxes	10 Boxes	376 00603
Ruspert Black	6 x 80	12 x 3¼	Box of 100	5 Boxes	20 Boxes	376 00803
Ruspert Silver	3.5 x 25	6 x 1	Box of 200	10 Boxes	120 Boxes	373 50251
Ruspert Silver	4 x 25	8 x 1	Box of 200	10 Boxes	60 Boxes	374 00251
Ruspert Silver	4 x 30	8 x 1¼	Box of 200	10 Boxes	60 Boxes	374 00301
Ruspert Silver	4 x 40	8 x 1½	Box of 200	5 Boxes	40 Boxes	374 00401
Ruspert Silver	4 x 50	8 x 2	Box of 200	5 Boxes	40 Boxes	374 00501
Ruspert Silver	4 x 60	8 x 2¾	Box of 100	5 Boxes	60 Boxes	374 00601
Ruspert Silver	4 x 70	8 x 2¾	Box of 100	5 Boxes	60 Boxes	374 00701
Ruspert Silver	5 x 30	10 x 1¼	Box of 200	5 Boxes	40 Boxes	375 00301
Ruspert Silver	5 x 40	10 x 1½	Box of 200	5 Boxes	20 Boxes	375 00401
Ruspert Silver	5 x 50	10 x 2	Box of 200	5 Boxes	20 Boxes	375 00501
Ruspert Silver	5 x 60	10 x 2¾	Box of 100	5 Boxes	40 Boxes	375 00601
Ruspert Silver	5 x 70	10 x 2¾	Box of 100	5 Boxes	40 Boxes	375 00701
Ruspert Silver	5 x 80	10 x 3¼	Box of 100	5 Boxes	20 Boxes	375 00801
Ruspert Silver	5 x 100	10 x 4	Box of 100	5 Boxes	20 Boxes	375 01001
Ruspert Silver	6 x 40	12 x 1½	Box of 100	5 Boxes	40 Boxes	376 00401

SITEMATE® Countersunk PowerPro® Timber Screw Continued

FINISH	SIZE (MM)	IMPERIAL EQUIV	UNIT QTY	INNER CARTON QTY	OUTER CARTON QTY	CODE
Box Continued						
Ruspert Silver	6 x 50	12 x 2	Box of 100	5 Boxes	40 Boxes	376 00501
Ruspert Silver	6 x 60	12 x 2 ³ / ₈	Box of 200	5 Boxes	10 Boxes	376 00601
Ruspert Silver	6 x 80	12 x 3 ¹ / ₄	Box of 100	5 Boxes	20 Boxes	376 00801
Ruspert Silver	6 x 90	12 x 3 ¹ / ₂	Box of 100	5 Boxes	20 Boxes	376 00901
Ruspert Silver	6 x 100	12 x 4	Box of 100	5 Boxes	9 Boxes	376 01001

Tub

BZP	4 x 30	8 x 1 ¹ / ₄	Tub of 1500	-	136 Tubs	364 00302
BZP	4 x 40	8 x 1 ¹ / ₂	Tub of 1200	-	136 Tubs	364 00402
BZP	4 x 50	8 x 2	Tub of 800	-	136 Tubs	364 00502
BZP	4 x 60	8 x 2 ³ / ₈	Tub of 600	-	136 Tubs	364 00602
BZP	4 x 70	8 x 2 ³ / ₄	Tub of 500	-	136 Tubs	364 00702
BZP	5 x 50	10 x 2	Tub of 500	-	136 Tubs	365 00502
BZP	5 x 60	10x2D	Tub of 400	-	136 Tubs	365 00602
BZP	5 x 70	10 x 2 ³ / ₄	Tub of 375	-	136 Tubs	365 00702
BZP	5 x 80	10 x 3 ¹ / ₄	Tub of 350	-	136 Tubs	365 00802
BZP	5 x 90	10 x 3 ¹ / ₂	Tub of 325	-	136 Tubs	365 00902
BZP	5 x 100	10 x 4	Tub of 300	-	136 Tubs	365 01002
Yellow Passivated	4 x 25	8 x 1	Tub of 1700	-	136 Tubs	364 00258
Yellow Passivated	4 x 30	8 x 1 ¹ / ₄	Tub of 1500	-	136 Tubs	364 00308
Yellow Passivated	4 x 40	8 x 1 ¹ / ₂	Tub of 1200	-	136 Tubs	364 00408
Yellow Passivated	4 x 50	8 x 2	Tub of 800	-	136 Tubs	364 00508
Yellow Passivated	4 x 60	8 x 2 ³ / ₈	Tub of 600	-	136 Tubs	364 00608
Yellow Passivated	4 x 70	8 x 2 ³ / ₄	Tub of 500	-	136 Tubs	364 00708
Yellow Passivated	5 x 50	10 x 2	Tub of 500	-	136 Tubs	365 00508
Yellow Passivated	5 x 60	10x2D	Tub of 400	-	136 Tubs	365 00608
Yellow Passivated	5 x 70	10 x 2 ³ / ₄	Tub of 375	-	136 Tubs	365 00708
Yellow Passivated	5 x 80	10 x 3 ¹ / ₄	Tub of 350	-	136 Tubs	365 00808
Yellow Passivated	5 x 90	10 x 3 ¹ / ₂	Tub of 325	-	136 Tubs	365 00908
Yellow Passivated	5 x 100	10 x 4	Tub of 300	-	136 Tubs	365 01008
Yellow Passivated	6 x 100	12 x 4	Tub of 225	-	136 Tubs	366 01008
Ruspert Silver	4 x 30	8 x 1 ¹ / ₄	Tub of 1500	-	136 Tubs	364 00301
Ruspert Silver	4 x 40	8 x 1 ¹ / ₂	Tub of 1200	-	136 Tubs	364 00401
Ruspert Silver	4 x 50	8 x 2	Tub of 800	-	136 Tubs	364 00501
Ruspert Silver	4 x 60	8 x 3 ¹ / ₈	Tub of 600	-	136 Tubs	364 00601
Ruspert Silver	4 x 70	8 x 2 ³ / ₄	Tub of 500	-	136 Tubs	364 00701
Ruspert Silver	5 x 50	10 x 2	Tub of 500	-	136 Tubs	365 00501
Ruspert Silver	5 x 60	10x2D	Tub of 400	-	136 Tubs	365 00601
Ruspert Silver	5 x 70	10 x 2 ³ / ₄	Tub of 375	-	136 Tubs	365 00701
Ruspert Silver	5 x 80	10 x 3 ¹ / ₄	Tub of 350	-	136 Tubs	365 00801
Ruspert Silver	5 x 100	10 x 4	Tub of 300	-	136 Tubs	365 01001



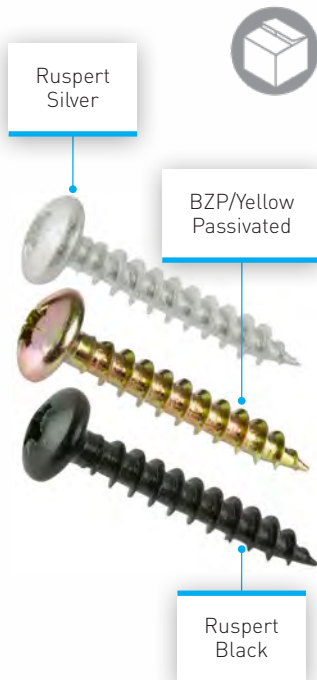
SCREW GAUGE

METRIC EQUIVALENT MM

NEAREST 'ROUNDED' METRIC EQUIVALENT

4	2.74	M3
5	3.10	M3
6	3.45	M3.5
7	3.81	M4
8	4.17	M4
9	4.52	M4.5
10	4.88	M5
12	5.59	M6

SITEMATE® Pan Head PowerPro® Timber Screw



FINISH	SIZE (MM)	IMPERIAL EQUIV	UNIT QTY	INNER CARTON QTY	OUTER CARTON QTY	CODE
Box						
Yellow Passivated	4 x 20	8 x ¾	Box of 200	10 Boxes	60 Boxes	334 00208
Yellow Passivated	4 x 25	8 x 1	Box of 200	10 Boxes	60 Boxes	334 00258
Yellow Passivated	4 x 30	8 x 1¼	Box of 200	10 Boxes	60 Boxes	334 00308
Yellow Passivated	4 x 40	8 x 1½	Box of 200	5 Boxes	40 Boxes	334 00408
Yellow Passivated	4 x 50	8 x 2	Box of 200	5 Boxes	40 Boxes	334 00508
Yellow Passivated	5 x 30	10 x 1¼	Box of 200	5 Boxes	40 Boxes	335 00308
Yellow Passivated	5 x 40	10 x 1½	Box of 200	5 Boxes	20 Boxes	335 00408
Yellow Passivated	5 x 50	10 x 2	Box of 200	5 Boxes	20 Boxes	335 00508
Ruspert Black	4 x 25	8 x 1	Box of 200	10 Boxes	60 Boxes	334 00253
Ruspert Black	4 x 30	8 x 1¼	Box of 200	10 Boxes	60 Boxes	334 00303
Ruspert Black	4 x 40	8 x 1½	Box of 200	5 Boxes	40 Boxes	334 00403
Ruspert Black	4 x 50	8 x 2	Box of 200	5 Boxes	40 Boxes	334 00503
Ruspert Black	5 x 25	10 x 1	Box of 200	5 Boxes	40 Boxes	335 00253
Ruspert Black	5 x 30	10 x 1¼	Box of 200	5 Boxes	40 Boxes	335 00303
Ruspert Black	5 x 40	10 x 1½	Box of 200	5 Boxes	20 Boxes	335 00403
Ruspert Black	5 x 50	10 x 2	Box of 200	5 Boxes	20 Boxes	335 00503
Ruspert Black	6 x 40	12 x 1½	Box of 100	5 Boxes	40 Boxes	336 00403
Ruspert Black	6 x 50	12 x 2	Box of 100	5 Boxes	40 Boxes	336 00503
Ruspert Silver	4 x 20	8 x ¾	Box of 200	10 Boxes	60 Boxes	334 00201
Ruspert Silver	4 x 25	8 x 1	Box of 200	10 Boxes	60 Boxes	334 00251
Ruspert Silver	4 x 30	8 x 1¼	Box of 200	10 Boxes	60 Boxes	334 00301
Ruspert Silver	4 x 40	8 x 1½	Box of 200	5 Boxes	40 Boxes	334 00401
Ruspert Silver	4 x 50	8 x 2	Box of 200	5 Boxes	40 Boxes	334 00501
Ruspert Silver	5 x 25	10 x 1	Box of 200	5 Boxes	40 Boxes	335 00251
Ruspert Silver	5 x 30	10 x 1¼	Box of 200	5 Boxes	40 Boxes	335 00301
Ruspert Silver	5 x 40	10 x 1½	Box of 200	5 Boxes	20 Boxes	335 00401
Ruspert Silver	5 x 50	10 x 2	Box of 200	5 Boxes	20 Boxes	335 00501
Ruspert Silver	6 x 40	12 x 1½	Box of 100	5 Boxes	40 Boxes	336 00401
Ruspert Silver	6 x 50	12 x 2	Box of 100	5 Boxes	40 Boxes	336 00501

DuraPost
BY BIRKDALE

URBAN SLATTED PANELS

CONTEMPORARY BACKDROP TO YOUR GARDEN

New architectural chic

An exciting new option for those looking for a more architectural style to define their space. DuraPost's new URBAN SLATTED PANELS bring a more contemporary look to garden boundaries.



COLOURS



PAGE
252

SITEMATE
BY BIRKDALE

HIGH PERFORMANCE TIMBER SCREWS

- Includes high torque driver bit with advanced hold for easy one-handed use

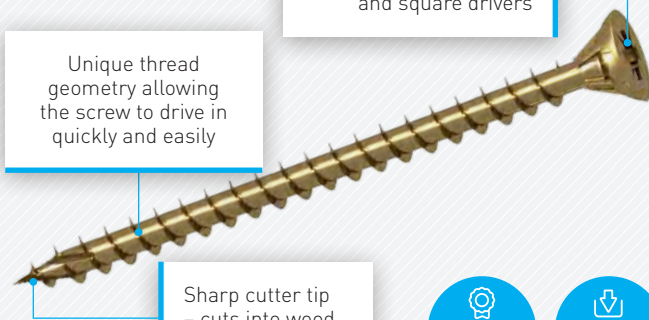
Unique thread geometry allowing the screw to drive in quickly and easily

Special head can be used with pozi, phillips and square drivers

Sharp cutter tip – cuts into wood effortlessly

PREMIUM QUALITY

PRE PACKED



SITEMATE® High Performance Timber Screw

FINISH	SIZE (MM)	IMPERIAL EQUIV	UNIT QTY	MIN. ORDER QTY	CODE
Box					
Yellow passivated	3.5x16	6 x 5/8	Box of 200	1 Box	473 50162
Yellow passivated	3.5x25	6 x 1	Box of 200	1 Box	473 50252
Yellow passivated	3.5x30	6 x 1 1/4	Box of 200	1 Box	473 50302
Yellow passivated	3.5x40	6 x 1 1/2	Box of 200	1 Box	473 50402
Yellow passivated	3.5x50	6 x 2	Box of 200	1 Box	473 50502
Yellow passivated	4x25	8 x 1	Box of 200	1 Box	474 00252
Yellow passivated	4x30	8 x 1 1/4	Box of 200	1 Box	474 00302
Yellow passivated	4x40	8 x 1 1/2	Box of 200	1 Box	474 00402
Yellow passivated	4x45	8 x 1 3/4	Box of 200	1 Box	474 00452
Yellow passivated	4x50	8 x 2	Box of 200	1 Box	474 00502
Yellow passivated	4x60	8 x 2 1/4	Box of 200	1 Box	474 00602
Yellow passivated	4x70	8 x 2 3/4	Box of 200	1 Box	474 00702
Yellow passivated	5x30	10 x 1 1/4	Box of 200	1 Box	475 00302
Yellow passivated	5x40	10 x 1 1/2	Box of 200	1 Box	475 00402
Yellow passivated	5x50	10 x 2	Box of 200	1 Box	475 00502
Yellow passivated	5x60	10 x 2 3/8	Box of 200	1 Box	475 00602
Yellow passivated	5x70	10 x 2 3/4	Box of 200	1 Box	475 00702
Yellow passivated	5x80	10 x 3 1/8	Box of 100	1 Box	475 00802
Yellow passivated	5x90	10 x 3 1/2	Box of 100	1 Box	475 00902
Yellow passivated	5x100	10 x 4	Box of 100	1 Box	475 01002
Yellow passivated	6x40	12 x 1 1/2	Box of 200	1 Box	476 00402
Yellow passivated	6x50	12 x 2	Box of 200	1 Box	476 00502
Yellow passivated	6x60	12 x 2 3/8	Box of 200	1 Box	476 00602
Yellow passivated	6x80	12 x 3 1/8	Box of 100	1 Box	476 00802
Yellow passivated	6x100	12 x 4	Box of 100	1 Box	476 01002
Yellow passivated	6x120	12 x 4 3/4	Box of 100	1 Box	476 01202
Yellow passivated	6x130	12 x 5 1/8	Box of 100	1 Box	476 01302
Yellow passivated	6x150	12 x 6	Box of 100	1 Box	476 01502



Includes **high torque driver bit** with advanced hold for easy 1-handed use!

SITEMATE® High Performance Timber Screw Continued



FINISH	SIZE (MM)	IMPERIAL EQUIV	UNIT QTY	MIN. ORDER QTY	CODE
Tub					
Yellow passivated	4x30	8 x 1¼	Tub of 500	1 Tub	464 00302
Yellow passivated	4x40	8 x 1½	Tub of 500	1 Tub	464 00402
Yellow passivated	5x60	10 x 2¾	Tub of 300	1 Tub	465 00602
Yellow passivated	5x70	10 x 2¾	Tub of 300	1 Tub	465 00702
Yellow passivated	5x80	10 x 3⅛	Tub of 300	1 Tub	465 00802
Yellow passivated	5x100	10 x 4	Tub of 300	1 Tub	465 01002

**POWER PRO®
DECKING SCREWS**

Designed to be fast, effective and powerful our SITEMATE PowerPro® decking screws allows you to get the job done right the first time.

Self countersinking head

Type 17 cut point allow the user to drive the screw in quickly and efficiently



Corrosion resistant organically coated ruspert finish – 1,000 hours salt spray tested

SITEMATE® PowerPro® Decking Screw



NEW

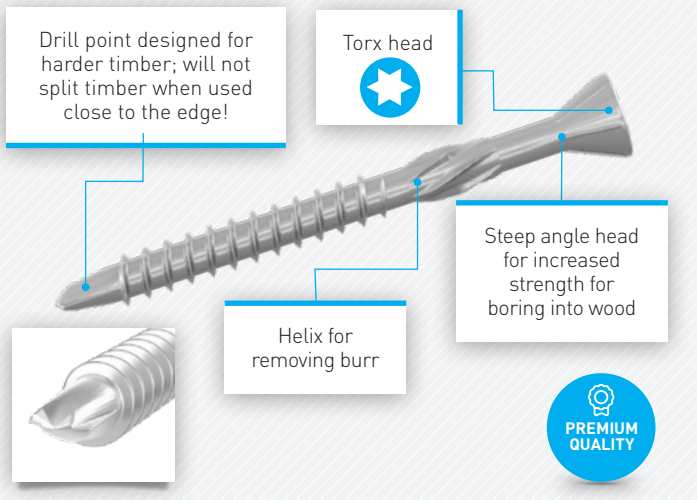


FINISH	LENGTH INS (MM)	GAUGE (MM)	MIN. ORDER QTY	OUTER CARTON QTY	CODE
Box of 200					
Green Ruspert	2 (50)	8 (4.5)	1 Box	20 Boxes	434 50500
Green Ruspert	2½ (60)	8 (4.5)	1 Box	20 Boxes	434 50600
Green Ruspert	3 (75)	8 (4.5)	1 Box	-	434 50750
Tub of 500					
Green Ruspert	2 (50)	8 (4.5)	1 Tub	-	444 50500
Green Ruspert	2½ (60)	8 (4.5)	1 Tub	-	444 50600
Green Ruspert	3 (75)	8 (4.5)	1 Tub	-	444 50750
Tub of 1000					
Green Ruspert	2 (50)	8 (4.5)	1 Tub	-	454 50500
Green Ruspert	2½ (60)	8 (4.5)	1 Tub	-	454 50600
Green Ruspert	3 (75)	8 (4.5)	1 Tub	-	454 50750

SITEMATE
BY BIRKDALE

DECKING SCREWS

- Stainless steel construction for high corrosion resistance
- Features a helix to prevent burr from becoming trapped under the head and stopping the screw from sitting correctly. The helix structure also locks into the board to prevent lifting
- Special drill point; ideal for drilling into harder timber



SITEMATE® Stainless Steel Decking Screw with Countersunk Torx Head

Constructed from Grade 316 stainless steel

FINISH	LENGTH INS (MM)	GAUGE (MM)	MIN. ORDER QTY	CODE
Box of 200				
Stainless Steel	2 (50)	4.50	1 Box	432 0506
Stainless Steel	2½ (60)	4.50	1 Box	432 0606
Stainless Steel	2¾ (70)	4.50	1 Box	432 0706



SITEMATE® Premium Decking Screw

FINISH	LENGTH INS (MM)	GAUGE (MM)	MIN. ORDER QTY	OUTER CARTON QTY	CODE
Box of 200					
Green Ruspert	2 (50)	8 (4.5)	1 Box	20 Boxes	432 4510
Green Ruspert	2½ (60)	8 (4.5)	1 Box	20 Boxes	432 6010
Green Ruspert	3 (75)	8 (4.5)	1 Box	12 Boxes	432 7510
Tub of 500					
Green Ruspert	2 (50)	8 (4.5)	1 Tub	8 Tubs	431 5110
Green Ruspert	2½ (60)	8 (4.5)	1 Tub	8 Tubs	431 6110
Green Ruspert	3 (75)	8 (4.5)	1 Tub	8 Tubs	431 7610
Tub of 1000					
Green Ruspert	2 (50)	8 (4.5)	1 Tub	4 Tubs	431 5010
Green Ruspert	2½ (60)	8 (4.5)	1 Tub	4 Tubs	431 6010
Green Ruspert	3 (75)	8 (4.5)	1 Tub	4 Tubs	431 7510



SITEMATE
BY BIRKDALE

STAINLESS STEEL WAFER HEAD TIMBER SCREWS

- Stainless steel finish for up to 1,000 hours salt spray resistance
- Features synthetic dry lubrication

20° sharp point for easy penetration and improved thread acceptance

Type 17 slash to reduce torque and likelihood of timber splitting close to the edge

50° deep single thread; providing secure fixing with high pull out resistance



SITEMATE® Stainless Steel Wafer Head Timber Screws

Constructed from Grade 316 stainless steel



FINISH	LENGTH (MM)	GAUGE (MM)	UNIT QTY	MIN. ORDER QTY	CODE
Bag of 20					
Stainless Steel	70	6	5 Bags	-	951 60706
Stainless Steel	80	6	5 Bags	-	951 60806
Stainless Steel	90	6	5 Bags	-	951 60906
Stainless Steel	100	6	5 Bags	-	951 61006
Stainless Steel	120	6	5 Bags	-	951 61206
Stainless Steel	140	6	5 Bags	-	951 61406
Stainless Steel	160	6	5 Bags	-	951 61606
Stainless Steel	100	8	5 Bags	-	951 81006
Stainless Steel	140	8	5 Bags	-	951 81406
Stainless Steel	180	8	5 Bags	-	951 81806
Stainless Steel	220	8	5 Bags	-	951 82206
Stainless Steel	250	8	5 Bags	-	951 82506
Stainless Steel	300	8	5 Bags	-	951 83006



FINISH	LENGTH (MM)	GAUGE (MM)	UNIT QTY	MIN. ORDER QTY	CODE
Box					
Stainless Steel	70	6	Box of 100	1 Box	950 60706
Stainless Steel	80	6	Box of 100	1 Box	950 60806
Stainless Steel	90	6	Box of 100	1 Box	950 60906
Stainless Steel	100	6	Box of 100	1 Box	950 61006
Stainless Steel	120	6	Box of 100	1 Box	950 61206
Stainless Steel	140	6	Box of 100	1 Box	950 61406
Stainless Steel	160	6	Box of 100	1 Box	950 61606
Stainless Steel	100	8	Box of 100	1 Box	950 81006
Stainless Steel	140	8	Box of 50	1 Box	950 81406
Stainless Steel	180	8	Box of 50	1 Box	950 81806
Stainless Steel	220	8	Box of 50	1 Box	950 82206
Stainless Steel	250	8	Box of 50	1 Box	950 82506
Stainless Steel	300	8	Box of 50	1 Box	950 83006

Driver Bit Included

SITEMATE® Wafer Head Timber Screws

FINISH	LENGTH (MM)	GAUGE (MM)	MIN. ORDER QTY	GAUGE (MM)	CODE
Bag of 20					
BZP	70	6	5 Bags	6	440 10702
BZP	90	6	5 Bags	6	440 10902
BZP	100	6	5 Bags	6	440 11002
Box of 100					
BZP	70	6	1 Box	6	440 0702
BZP	90	6	1 Box	6	440 0902
BZP	100	6	1 Box	6	440 1002

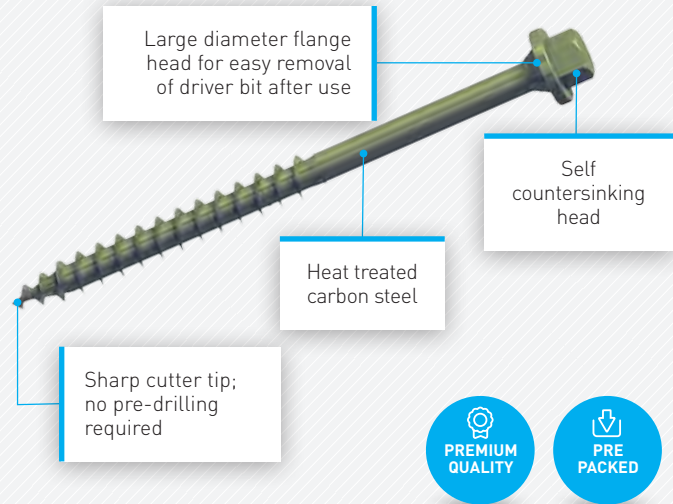
Driver Bit Included



SITEMATE®
BY BIRKDALE

HEX HEAD TIMBER SCREWS

- Ideal for a wide range of applications, such as decking, landscaping sleepers, rafters and fencing
- Features corrosion resistant Ruspert Green finish – 1,000 hours salt spray tested
- Size stamped on head for ease of quality inspection
- **FREE** magnetic 8mm socket bit supplied in each box!



SITEMATE® Hex Head Timber Screws

FINISH	LENGTH (MM)	MIN. ORDER QTY	CODE
Bag of 20			
Green Ruspert	70	5 Bags	441 10701
Green Ruspert	100	5 Bags	441 11001
Green Ruspert	150	5 Bags	441 11501
Green Ruspert	200	5 Bags	441 12001
Green Ruspert	250	5 Bags	441 12501
Box of 100			
Green Ruspert	70	1 Box	441 0701
Green Ruspert	90	1 Box	441 0901
Green Ruspert	100	1 Box	441 1001
Green Ruspert	140	1 Box	441 1401
Green Ruspert	150	1 Box	441 1501
Green Ruspert	200	1 Box	441 2001
Green Ruspert	250	1 Box	441 2501



Bolts & Coach Screws

SITEMATE® Hexagon Head Coach Screws



FINISH	LENGTH (MM)	GAUGE (MM)	UNIT QTY	MIN. ORDER QTY	OUTER CARTON QTY	CODE
Bag of 4						
BZP	50	M8	Bag of 4	5 Bags	-	H108 0502
BZP	75	M8	Bag of 4	5 Bags	-	H108 0752
BZP	100	M8	Bag of 4	5 Bags	-	H108 1002
BZP	75	M10	Bag of 4	5 Bags	-	H110 0752
BZP	100	M10	Bag of 4	5 Bags	-	H110 1002
BZP	150	M10	Bag of 4	5 Bags	-	H110 1502
Box						
BZP	40	M6	Box of 200	1 Box	6 Boxes	H06 0402
BZP	50	M6	Box of 200	1 Box	6 Boxes	H06 0502
BZP	60	M6	Box of 200	1 Box	4 Boxes	H06 0602
BZP	70	M6	Box of 100	1 Box	8 Boxes	H06 0702
BZP	80	M6	Box of 100	1 Box	8 Boxes	H06 0802
BZP	90	M6	Box of 100	1 Box	4 Boxes	H06 0902
BZP	40	M8	Box of 200	1 Box	4 Boxes	H08 0402
BZP	50	M8	Box of 100	1 Box	6 Boxes	H08 0502
BZP	60	M8	Box of 100	1 Box	6 Boxes	H08 0602
BZP	65	M8	Box of 100	1 Box	4 Boxes	H08 0652
BZP	70	M8	Box of 100	1 Box	4 Boxes	H08 0702
BZP	75	M8	Box of 100	1 Box	4 Boxes	H08 0752
BZP	80	M8	Box of 100	1 Box	4 Boxes	H08 0802
BZP	90	M8	Box of 100	1 Box	3 Boxes	H08 0902
BZP	100	M8	Box of 100	1 Box	4 Boxes	H08 1002
BZP	120	M8	Box of 100	1 Box	2 Boxes	H08 1202
BZP	150	M8	Box of 100	1 Box	2 Boxes	H08 1502
BZP	40	M10	Box of 100	1 Box	4 Boxes	H10 0402
BZP	50	M10	Box of 100	1 Box	6 Boxes	H10 0502
BZP	60	M10	Box of 100	1 Box	4 Boxes	H10 0602
BZP	65	M10	Box of 100	1 Box	4 Boxes	H10 0652
BZP	70	M10	Box of 100	1 Box	3 Boxes	H10 0702
BZP	75	M10	Box of 50	1 Box	8 Boxes	H10 0752
BZP	80	M10	Box of 50	1 Box	6 Boxes	H10 0802
BZP	90	M10	Box of 50	1 Box	6 Boxes	H10 0902
BZP	100	M10	Box of 50	1 Box	6 Boxes	H10 1002
BZP	120	M10	Box of 50	1 Box	3 Boxes	H10 1202
BZP	130	M10	Box of 50	1 Box	3 Boxes	H10 1302
BZP	150	M10	Box of 50	1 Box	3 Boxes	H10 1502
BZP	160	M10	Box of 50	1 Box	3 Boxes	H10 1602
BZP	180	M10	Box of 50	1 Box	3 Boxes	H10 1802
BZP	200	M10	Box of 50	1 Box	3 Boxes	H10 2002
BZP	75	M12	Box of 50	1 Box	6 Boxes	H12 0752
BZP	100	M12	Box of 50	1 Box	3 Boxes	H12 1002
BZP	130	M12	Box of 50	1 Box	3 Boxes	H12 1302
BZP	150	M12	Box of 50	1 Box	3 Boxes	H12 1502
BZP	180	M12	Box of 50	1 Box	2 Boxes	H12 1802

SITEMATE® Cup Square Hex Bolts & Nuts

FINISH	LENGTH (MM)	GAUGE	UNIT QTY	MIN. ORDER QTY	OUTER CARTON QTY	CODE
Bag of 4						
BZP	50	M6	Bag of 4	5 Bags	-	C106 0502
BZP	75	M6	Bag of 4	5 Bags	-	C106 0752
BZP	50	M8	Bag of 4	5 Bags	-	C108 0502
BZP	100	M8	Bag of 4	5 Bags	-	C108 1002
BZP	150	M8	Bag of 4	5 Bags	-	C108 1502
BZP	180	M8	Bag of 4	5 Bags	-	C108 1802
BZP	50	M10	Bag of 4	5 Bags	-	C110 0502
BZP	75	M10	Bag of 4	5 Bags	-	C110 0752
BZP	100	M10	Bag of 4	5 Bags	-	C110 1002
BZP	120	M10	Bag of 4	5 Bags	-	C110 1202
BZP	130	M10	Bag of 4	5 Bags	-	C110 1302
BZP	150	M10	Bag of 4	5 Bags	-	C110 1502
BZP	180	M10	Bag of 4	5 Bags	-	C110 1802
BZP	75	M12	Bag of 4	5 Bags	-	C112 0752
BZP	100	M12	Bag of 4	5 Bags	-	C112 1002
BZP	130	M12	Bag of 4	5 Bags	-	C112 1302
BZP	180	M12	Bag of 4	5 Bags	-	C112 1802

Box						
BZP	50	M6	Box of 200	1 Box	6 Boxes	C06 0502
BZP	60	M6	Box of 100	1 Box	8 Boxes	C06 0602
BZP	75	M6	Box of 100	1 Box	8 Boxes	C06 0752
BZP	30	M8	Box of 200	1 Box	4 Boxes	C08 0302
BZP	50	M8	Box of 100	1 Box	6 Boxes	C08 0502
BZP	60	M8	Box of 100	1 Box	6 Boxes	C08 0602
BZP	75	M8	Box of 100	1 Box	3 Boxes	C08 0752
BZP	80	M8	Box of 100	1 Box	4 Boxes	C08 0802
BZP	90	M8	Box of 100	1 Box	3 Boxes	C08 0902
BZP	100	M8	Box of 100	1 Box	4 Boxes	C08 1002
BZP	150	M8	Box of 50	1 Box	4 Boxes	C08 1502
BZP	180	M8	Box of 25	1 Box	8 Boxes	C08 1802
BZP	200	M8	Box of 25	1 Box	4 Boxes	C08 2002
BZP	30	M10	Box of 100	1 Box	4 Boxes	C10 0302
BZP	50	M10	Box of 100	1 Box	4 Boxes	C10 0502
BZP	60	M10	Box of 100	1 Box	4 Boxes	C10 0602
BZP	65	M10	Box of 100	1 Box	4 Boxes	C10 0652
BZP	75	M10	Box of 100	1 Box	8 Boxes	C10 0752
BZP	80	M10	Box of 50	1 Box	6 Boxes	C10 0802
BZP	90	M10	Box of 50	1 Box	4 Boxes	C10 0902
BZP	100	M10	Box of 50	1 Box	4 Boxes	C10 1002
BZP	120	M10	Box of 50	1 Box	4 Boxes	C10 1202
BZP	130	M10	Box of 25	1 Box	4 Boxes	C10 1302
BZP	140	M10	Box of 25	1 Box	4 Boxes	C10 1402
BZP	150	M10	Box of 25	1 Box	6 Boxes	C10 1502
BZP	160	M10	Box of 25	1 Box	4 Boxes	C10 1602
BZP	180	M10	Box of 25	1 Box	4 Boxes	C10 1802
BZP	200	M10	Box of 25	1 Box	4 Boxes	C10 2002
BZP	220	M10	Box of 25	1 Box	3 Boxes	C10 2202
BZP	240	M10	Box of 25	1 Box	3 Boxes	C10 2402



SITEMATE® Cup Square Hex Bolts & Nuts Continued



FINISH	LENGTH (MM)	GAUGE (MM)	UNIT QTY	MIN. ORDER QTY	OUTER CARTON QTY	CODE
Box Continued						
BZP	260	M10	Box of 25	1 Box	3 Boxes	C10 2602
BZP	300	M10	Box of 25	1 Box	4 Boxes	C10 3002
BZP	65	M12	Box of 50	1 Box	4 Boxes	C12 0652
BZP	70	M12	Box of 50	1 Box	4 Boxes	C12 0702
BZP	75	M12	Box of 50	1 Box	4 Boxes	C12 0752
BZP	80	M12	Box of 50	1 Box	4 Boxes	C12 0802
BZP	90	M12	Box of 50	1 Box	4 Boxes	C12 0902
BZP	100	M12	Box of 50	1 Box	3 Boxes	C12 1002
BZP	130	M12	Box of 25	1 Box	5 Boxes	C12 1302
BZP	150	M12	Box of 20	1 Box	5 Boxes	C12 1502
BZP	180	M12	Box of 25	1 Box	4 Boxes	C12 1802
BZP	200	M12	Box of 25	1 Box	3 Boxes	C12 2002
BZP	240	M12	Box of 25	1 Box	3 Boxes	C12 2402

SITEMATE® Cup Square Hex Bolts Only



FINISH	LENGTH (MM)	GAUGE	UNIT QTY	MIN. ORDER QTY	OUTER CARTON QTY	CODE
Bag of 4						
Galvanised	100	M12	Bag of 4	5 Bags	-	C112 1001
Box						
Galvanised *	30	M8	Box of 100	1 Box	-	C08 0301
Galvanised	50	M8	Box of 100	1 Box	6 Boxes	C08 0501
Galvanised	70	M8	Box of 100	1 Box	4 Boxes	C08 0701
Galvanised	75	M8	Box of 100	1 Box	3 Boxes	C08 0751
Galvanised *	80	M8	Box of 100	1 Box	4 Boxes	C08 0801
Galvanised	100	M8	Box of 100	1 Box	4 Boxes	C08 1001
Galvanised	100	M10	Box of 25	1 Box	8 Boxes	C10 1001
Galvanised	30	M12	Box of 100	1 Box	1 Boxes	C12 0301
Galvanised	75	M12	Box of 50	1 Box	4 Boxes	C12 0751
Galvanised	100	M12	Box of 50	1 Box	3 Boxes	C12 1001

* Special Order Only
Nuts sold separately - see page 248

SITEMATE® Roofing Bolts & Nuts



FINISH	LENGTH (MM)	GAUGE (MM)	UNIT QTY	MIN. ORDER QTY	CODE
Bag of 4					
BZP	40	M8	Bag of 4	5 Bags	R108 0402
BZP	80	M8	Bag of 4	5 Bags	R108 0802
BZP	100	M8	Bag of 4	5 Bags	R108 1002
BZP	160	M8	Bag of 4	5 Bags	R108 1602
BZP	180	M8	Bag of 4	5 Bags	R108 1802
BZP	50	M10	Bag of 4	5 Bags	R110 0502
BZP	80	M10	Bag of 4	5 Bags	R110 0802
BZP	160	M10	Bag of 4	5 Bags	R110 1602

SITEMATE® Roofing Bolts & Nuts Continued

FINISH	LENGTH (MM)	GAUGE (MM)	UNIT QTY	MIN. ORDER QTY	OUTER CARTON QTY	CODE
Box						
BZP	25	M8	Box of 100	1 Box	8 Boxes	R08 0252
BZP	30	M8	Box of 100	1 Box	8 Boxes	R08 0302
BZP	40	M8	Box of 100	1 Box	8 Boxes	R08 0402
BZP	50	M8	Box of 100	1 Box	6 Boxes	R08 0502
BZP	60	M8	Box of 100	1 Box	6 Boxes	R08 0602
BZP	70	M8	Box of 100	1 Box	4 Boxes	R08 0702
BZP	80	M8	Box of 100	1 Box	4 Boxes	R08 0802
BZP	100	M8	Box of 50	1 Box	8 Boxes	R08 1002
BZP	140	M8	Box of 50	1 Box	4 Boxes	R08 1402
BZP	160	M8	Box of 50	1 Box	4 Boxes	R08 1602
BZP	180	M8	Box of 50	1 Box	4 Boxes	R08 1802
BZP	200	M8	Box of 50	1 Box	2 Boxes	R08 2002
BZP	220	M8	Box of 50	1 Box	2 Boxes	R08 2202
BZP	240	M8	Box of 25	1 Box	4 Boxes	R08 2402
BZP	30	M10	Box of 100	1 Box	4 Boxes	R10 0302
BZP	50	M10	Box of 50	1 Box	8 Boxes	R10 0502
BZP	70	M10	Box of 50	1 Box	6 Boxes	R10 0702
BZP	80	M10	Box of 50	1 Box	6 Boxes	R10 0802
BZP	100	M10	Box of 50	1 Box	4 Boxes	R10 1002
BZP	120	M10	Box of 25	1 Box	8 Boxes	R10 1202
BZP	140	M10	Box of 25	1 Box	4 Boxes	R10 1402
BZP	160	M10	Box of 25	1 Box	4 Boxes	R10 1602
BZP	180	M10	Box of 25	1 Box	4 Boxes	R10 1802
BZP	220	M10	Box of 25	1 Box	3 Boxes	R10 2202
BZP	240	M10	Box of 25	1 Box	3 Boxes	R10 2402
BZP	260	M10	Box of 25	1 Box	3 Boxes	R10 2602



Saddle Head Bolts Only

FINISH	LENGTH INS (MM)	PACK TYPE	GAUGE	MIN. ORDER QTY	OUTER CARTON QTY	CODE
Box						
Galvanised	1½ (40)	Box	M8	100	600	414 8401



Tee Head Bolts Only

FINISH	LENGTH INS (MM)	PACK TYPE	GAUGE	MIN. ORDER QTY	CODE
Box					
Galvanised	1 (25)	Box	M8	100	415 8251
Bulk Bag					
Galvanised	1 (25)	Bulk Bag	M8	2000	415 8261



Masonry Fixings

SITEMATE
BY BIRKDALE

MASONRY BOLTS

- No-expansion anchor for heavy duty applications
- This bolt cuts its own thread into concrete, brick, stone and wood; eliminating the need for traditional anchors
- Allows holes to be positioned to the edge of blocks where typical expansion bolts are at risk of splitting the material

Serrated thread helps the bolt to cut into brickwork

High tensile bolt with a surface hardness of over 800HV; allowing the thread to cut into concrete and withstand abrasion

Flange head complete with serrations for extra clamping grip

Nytorg pre-applied thread lubricant (dry to touch) reduces friction and prevents cold welding or torque



SITEMATE® Masonry Bolts



FINISH	LENGTH INS (MM)	GAUGE	DRILL SIZE (MM)	UNIT QTY	MIN. ORDER QTY	OUTER CARTON QTY	CODE
Bag of 4							
YP	4 (100)	M6	6	1 Bag	5 Bags	-	910 61002
YP	6 (150)	M6	6	1 Bag	5 Bags	-	910 61502
YP	3 (75)	M8	8	1 Bag	5 Bags	-	910 80752
YP	4 (100)	M8	8	1 Bag	5 Bags	-	910 81002
YP	6 (150)	M8	8	1 Bag	5 Bags	-	910 81502
YP	3 (75)	M10	10	1 Bag	5 Bags	-	911 00752
YP	4 (100)	M10	10	1 Bag	5 Bags	-	911 01002
YP	6 (150)	M10	10	1 Bag	5 Bags	-	911 01502
YP	4 (100)	M12	12	1 Bag	5 Bags	-	911 21002
Box							
YP	2 (50)	M6	6	Box of 100	1 Box	6	900 60502
YP	3 (75)	M6	6	Box of 100	1 Box	6	900 60752
YP	4 (100)	M6	6	Box of 100	1 Box	6	900 61002
YP	5 (130)	M6	6	Box of 100	1 Box	6	900 61302
YP	6 (150)	M6	6	Box of 100	1 Box	6	900 61502
YP	2½ (60)	M8	8	Box of 100	1 Box	8	900 80602
YP	3 (75)	M8	8	Box of 100	1 Box	8	900 80752
YP	4 (100)	M8	8	Box of 100	1 Box	8	900 81002
YP	5 (130)	M8	8	Box of 100	1 Box	8	900 81302
YP	6 (150)	M8	8	Box of 100	1 Box	8	900 81502
YP	2½ (60)	M10	10	Box of 50	1 Box	10	901 00602
YP	3 (75)	M10	10	Box of 50	1 Box	10	901 00752
YP	4 (100)	M10	10	Box of 50	1 Box	10	901 01002
YP	5 (130)	M10	10	Box of 50	1 Box	10	901 01302
YP	6 (150)	M10	10	Box of 50	1 Box	10	901 01502
YP	3 (75)	M12	12	Box of 50	1 Box	12	901 20752
YP	4 (100)	M12	12	Box of 50	1 Box	12	901 21002
YP	5 (130)	M12	12	Box of 50	1 Box	12	901 21302
YP	6 (150)	M12	12	Box of 25	1 Box	12	901 21502
YP	8 (200)	M12	12	Box of 25	1 Box	12	901 22002

SITEMATE® Masonry Screws

- SITEMATE® Masonry Screws are ideal for anchoring into concrete, stone and brick
- Sharp cutter thread for easy use
- Free driver bit in every box!
- Zinc plated and yellow passivated for extra corrosion resistance
- White cover caps and torx bit included in every box

FINISH	LENGTH (MM)	GAUGE (MM)	MIN. ORDER QTY	OUTER CARTON QTY	CODE
Bag of 4					
YP	82	7.5	5 Bags	-	427 0828
YP	102	7.5	5 Bags	-	427 1028
YP	122	7.5	5 Bags	-	427 1228
YP	152	7.5	5 Bags	-	427 1528

Box of 100					
YP	82	7.5	1 Box	8 Boxes	437 0828
YP	102	7.5	1 Box	8 Boxes	437 1028
YP	122	7.5	1 Box	8 Boxes	437 1228
YP	152	7.5	1 Box	6 Boxes	437 1528



SITEMATE®
BY BIRKDALE

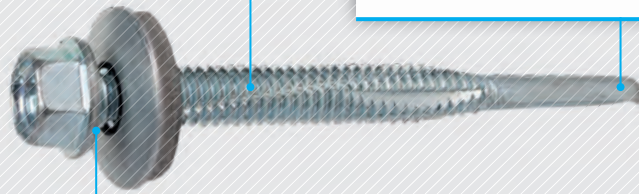
HEXHEAD DRILLING SCREWS

Our SITEMATE® hexhead self drilling screws are fast, effective and powerful.

- Ideal for securing cladding to steel roofs

A coarse thread enables the screw to self cut

A sharp tip allows the user to drill straight in to metal without needing to pre-drill holes

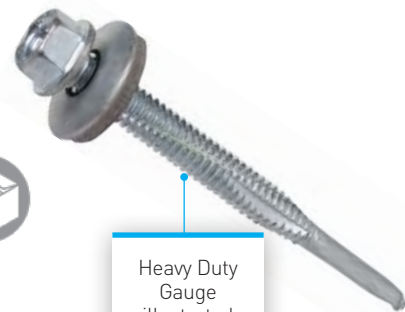


Increased ability to clamp comes from the hex head countersunk head and washer

SITEMATE® Hex Head Self Drilling Screws with Washer

FINISH	LENGTH (MM)	GAUGE (MM)	MIN. ORDER QTY	CODE
Bag of 20				
BZP	32	L.D 5.5	5 Bags	461 11322
BZP	38	L.D 5.5	5 Bags	461 11382
BZP	50	L.D 5.5	5 Bags	461 11502
BZP	25	H.D 5.5	5 Bags	461 11252
BZP	38	H.D 5.5	5 Bags	461 10382
BZP	50	H.D 5.5	5 Bags	461 10502

Box of 100				
BZP	25	H.D 5.5	1 Box	461 1252
BZP	38	H.D 5.5	1 Box	461 0382
BZP	50	H.D 5.5	1 Box	461 0502
BZP	32	L.D 5.5	1 Box	461 1322
BZP	38	L.D 5.5	1 Box	461 1382
BZP	50	L.D 5.5	1 Box	461 1502



Heavy Duty Gauge illustrated

SITEMATE® Express Nails



FINISH	LENGTH (MM)	GAUGE	UNIT QTY	MIN. ORDER QTY	CODE
Bag of 6					
BZP	110	M8	1 bag	5 Bags	436 1102
BZP	130	M8	1 bag	5 Bags	436 1302
Box					
BZP	90	M8	Box of 100	1 Box	426 0902
BZP	110	M8	Box of 200	1 Box	426 1102
BZP	130	M8	Box of 200	1 Box	426 1302
BZP	150	M8	Box of 100	1 Box	426 1502
BZP	180	M8	Box of 100	1 Box	426 1802

SITEMATE® Plastic Expansion Plugs



COLOUR	SUITABLE FOR GAUGE (MM)	MIN. ORDER QTY	CODE
Box of 100			
Red	6-10 (3.5mm-5mm)	1 Box	429 0060
Brown	10-12 (5mm-6mm)	1 Box	429 0070

SITEMATE® Nylon Expansion Plug



FINISH	GAUGE (MM)	MIN. ORDER QTY	CODE
Box			
Grey	10	Box of 50	430 0100
Grey	12	Box of 25	430 0120

SITEMATE® Nylon Frame Fixings



FINISH	LENGTH (MM)	MAX. FIXTURE THICKNESS (MM)	GAUGE	MIN. ORDER QTY	CODE
Bag of 10					
BZP/Grey	100	50	M10	5 Bags	431 2100
BZP/Grey	120	70	M10	5 Bags	431 2110
BZP/Grey	140	90	M10	5 Bags	431 2130
BZP/Grey	160	110	M10	5 Bags	431 2160
BZP/Grey	80	30	M10	5 Bags	431 2800
Box of 100					
BZP/Grey	80	30	M10	1 Box	431 1800
BZP/Grey	100	50	M10	1 Box	431 1100
BZP/Grey	120	70	M10	1 Box	431 1110
BZP/Grey	140	90	M10	1 Box	431 1130
BZP/Grey	160	110	M10	1 Box	431 1160

SITEMATE® Sleeve Anchor

Loose Nut/50mm

FINISH	LENGTH (MM)	GAUGE (MM)	MIN. ORDER QTY	CODE
Bag of 4				
Z/PLAT	100	M10	5 Bags	D10 1002
Z/PLAT	100	M12	5 Bags	D12 1002



SITEMATE® Masonry Anchor

FINISH	LENGTH (MM)	GAUGE (MM)	MIN. ORDER QTY	CODE
Bag of 4				
Z/PLAT	65	M8	5 Bags	T80652
Z/PLAT	65	M10	5 Bags	T100652
Z/PLAT	100	M10	5 Bags	T101002
Z/PLAT	120	M10	5 Bags	T101202
Z/PLAT	80	M12	5 Bags	T120802
Z/PLAT	100	M12	5 Bags	T121002
Z/PLAT	120	M12	5 Bags	T121202
Z/PLAT	125	M16	5 Bags	T161252
Z/PLAT	130	M20	5 Bags	T201302



MERCHANDISING STANDS

Our SITEMATE® range is ever growing, encompassing our great range of hard wearing tools and new range of pre-packed and boxed fixings.

SITEMATE®
BY BIRKDALE

The entire SITEMATE® range is designed for maximum power, speed and efficiency to help you get the job done right the first time. With unrivalled comfort, unique features and strength in all, our specialist fencing tools have been perfectly crafted with Fencing Contractors in mind.



Nuts, Washers & Studding

SITEMATE® Nuts & Washers



FINISH	GAUGE	UNIT QTY	MIN. ORDER QTY	CODE
Bag				
BZP	M6	Bag of 20/20	5 Bags	454 0062
BZP	M8	Bag of 20/20	5 Bags	454 0082
BZP	M10	Bag of 20/20	5 Bags	454 0102
BZP	M12	Bag of 10/10	5 Bags	454 0122
BZP	M16	Bag of 6/6	5 Bags	454 0162
BZP	M20	Bag of 3/3	5 Bags	454 0202
Galvanised	M10	Bag of 20/20	5 Bags	454 0101
Galvanised	M12	Bag of 10/10	5 Bags	454 0121

SITEMATE® Nylon Locking Nuts & Washers



FINISH	GAUGE	UNIT QTY	MIN. ORDER QTY	CODE
Bag				
BZP	M8	Bag of 20/20	5 Bags	452 0082
BZP	M10	Bag of 20/20	5 Bags	452 0102
BZP	M12	Bag of 10/10	5 Bags	452 0122

SITEMATE® Nylon Locking Nuts Only



FINISH	GAUGE	MIN. ORDER QTY	CODE
Box			
BZP	M6	Box of 200	418 0062
BZP	M8	Box of 100	418 0082
BZP	M10	Box of 100	418 0102
BZP	M12	Box of 100	418 0122

SITEMATE® Steel Hex Full Nuts

FINISH	GAUGE	MIN. ORDER QTY	CODE
Box			
BZP	M6	Box of 200	416 0062
BZP	M8	Box of 200	416 0082
BZP	M10	Box of 200	416 0102
BZP	M12	Box of 100	416 0122
BZP	M16	Box of 100	416 0162
BZP	M20	Box of 50	416 0202
Galvanised	M8	Box of 200	416 0081
Galvanised	M10	Box of 200	416 0101
Galvanised	M12	Box of 100	416 0121
Galvanised	M16	Box of 100	416 0161
Galvanised	M20	Box of 50	416 0201



SITEMATE® Steel Hex Half Nuts

FINISH	GAUGE	MIN. ORDER QTY	CODE
Box			
BZP	M20	Box of 100	417 0202



SITEMATE® Cone Head Security Nuts

FINISH	GAUGE	MIN. ORDER QTY	OUTER CARTON QTY	CODE
Box of 100				
Galvanised	M8	Box of 100	10 boxes	420 0081
Galvanised	M10	Box of 100	10 boxes	420 0101
Galvanised	M12	Box of 100	10 boxes	420 0121



SITEMATE® Square Plate Washers

FINISH	SIZE INS (MM)	GAUGE	MIN. ORDER QTY	OUTER CARTON QTY	CODE
Bag of 10					
BZP	2x2 (50x50)	M10	5 Bags	-	453 0102
BZP	2x2 (50x50)	M12	5 Bags	-	453 0122
BZP	2x2 (50x50)	M16	5 Bags	-	453 0162
Box of 100					
BZP	2x2 (50x50)	M10	1 Box	4 Boxes	422 0102
BZP	2x2 (50x50)	M12	1 Box	4 Boxes	422 0122
BZP	2x2 (50x50)	M16	1 Box	4 Boxes	422 0162
Galvanised	2x2 (50x50)	M10	1 Box	4 Boxes	422 0101
Galvanised	2x2 (50x50)	M12	1 Box	4 Boxes	422 0121
Galvanised	2x2 (50x50)	M16	1 Box	4 Boxes	422 0161



Material thickness 3mm

SITEMATE® Steel Washers



DESC	FINISH	GAUGE	SIZE (MM)	MIN. ORDER QTY	CODE
Box					
Form A	BZP	M12	24	200	423 0052
Form A	BZP	M16	30	100	423 0062
Form A	BZP	M20	37	100	423 0072
Form C	BZP	M6	14	1000	423 0022
Form C	BZP	M8	21	600	423 0032
Form C	BZP	M10	24	200	423 0042
Form F	Galvanised	M8	21	100	423 0171
Form F	Galvanised	M10	24	100	423 0181
Form F	Galvanised	M12	28	100	423 0191
Form F *	Galvanised	M16	34	100	423 0201
Form F	Galvanised	M20	39	100	423 0211

* Special Order Only

SITEMATE® Repair Washers



FINISH	SIZE (MM)	GAUGE	MIN. ORDER QTY	CODE
Box of 100				
BZP	20	M6	1 Box	423 0082
BZP	25	M6	1 Box	423 0092
BZP	30	M6	1 Box	423 0102
BZP *	40	M6	1 Box	423 0112
BZP	25	M8	1 Box	423 0122
BZP	30	M8	1 Box	423 0132
BZP	40	M8	1 Box	423 0142
BZP	30	M10	1 Box	423 0152
BZP	40	M10	1 Box	423 0162

* Special Order Only

SITEMATE® Metric Studding Threaded Rod



FINISH	GAUGE	LENGTH (M)	MIN. ORDER QTY	OUTER CARTON QTY	CODE
Box of 10					
BZP	M6	1	1 Box	5	424 0062
BZP	M8	1	1 Box	5	424 0082
BZP	M10	1	1 Box	2	424 0102
BZP	M12	1	1 Box	-	424 0122
BZP	M16	1	1 Box	-	424 0162
BZP	M20	1	1 Box	-	424 0202
Galvanised	M10	1	1 Box	2	424 0101
Galvanised	M12	1	1 Box	-	424 0121
Galvanised	M16	1	1 Box	-	424 0161
Galvanised	M20	1	1 Box	-	424 0201

Other Fixings

SITEMATE® Metal Star Dowels

FINISH	LENGTH (MM)	MIN. ORDER QTY	CODE
Box of 500			
BZP	33	500	406 0330
BZP	38	500	406 0380
BZP	44	500	406 0440
BZP	50	500	406 0500
BZP	60	500	406 0600



SITEMATE® Corrugated Fastener

DESC	FINISH	SIZE INS (MM)	MIN. ORDER QTY	CODE
Box				
5 Corrugations	BZP	½ (12)	1000	407 0010
6 Corrugations	BZP	¾ (19)	1000	407 0060
6 Corrugations	BZP	1 (25)	500	407 0080



SITEMATE® Screw Eye

FINISH	LENGTH INS (MM)	GAUGE (MM)	MIN. ORDER QTY	OUTER CARTON QTY	CODE
Bag of 4					
Galvanised	3 (75)	8	5 Bags	-	419 0111
Box of 100					
Galvanised	3 (75)	8	1 Box	5 Boxes	409 0111



SITEMATE® Vine Eye

DESC	FINISH	LENGTH INS (MM)	GAUGE (MM)	MIN. ORDER QTY	OUTER CARTON QTY	CODE
Box of 100						
To screw	BZP	3 (75)	4	1 Box	10 Boxes	409 0042
To drive	BZP	4 (100)		1 Box	10 Boxes	409 1002



SITEMATE® Torx Driver Bit

SIZE	FINISH	MIN. ORDER QTY	CODE
Bag of 4			
TORX 20	Z/PLAT	5 Bags	T20
TORX 25	Z/PLAT	5 Bags	T25
TORX 30	Z/PLAT	5 Bags	T30
TORX 40	Z/PLAT	5 Bags	T40



DuraPost®

BY BIRKDALE

THE STYLISH, DURABLE FENCING SYSTEM

241 DuraPost® Posts

242 DuraPost® Commercial

243 DuraPost® Accessories

247 DuraPost® Fixings

248 DuraPost® Aluminium Gate

251 DuraPost® Vento Panels

252 DuraPost® Urban Panels

↑
P241



↑
P243



↑
P249



↑
P251





DuraPost®

BY BIRKDALE



THE STYLISH, DURABLE FENCE POST SYSTEM



Our revolutionary steel fence post system, DuraPost® is lightweight and easy to install.

Why choose Durapost

Strong. Stylish. Durable.

DuraPost® is the stylish, secure and easy to maintain galvanised steel post system suitable for virtually any type of fencing.

With a wide range of colours, styles and with matching accessories, you can create a truly unique, long-lasting and stylish garden with DuraPost.



AVAILABLE IN FOUR COLOURS



ANTHRACITE GREY
RAL 7016



OLIVE GREY
RAL 7002

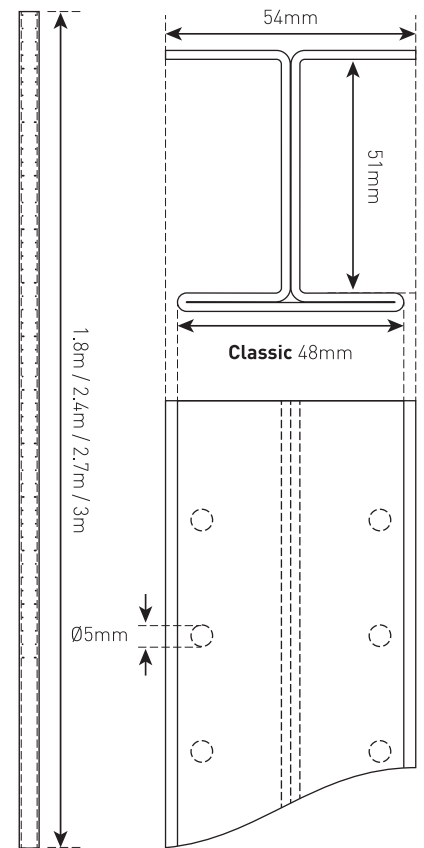


SEPIA BROWN
RAL 8014



GALVANISED STEEL

TECHNICAL SPECIFICATION



Patented GB2575681
Registered Design No 005518057-001

SYSTEM ACCESSORIES

COVER STRIPS



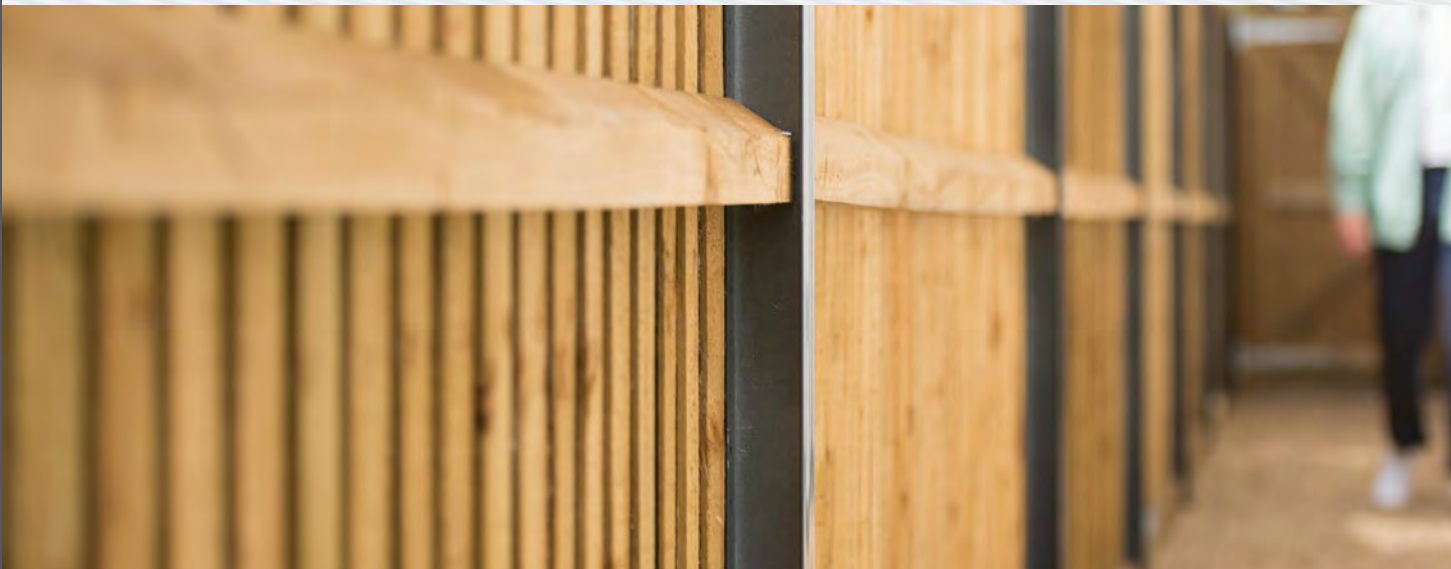
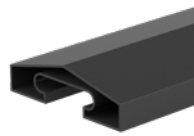
STEEL POST CAP



COMPOSITE GRAVEL BOARD



CAPPING RAIL



DURAPOST® FENCE POSTS

DuraPost® Posts

DuraPost®
BY BIRKDALE

DURAPOST® CLASSIC

Introducing our revolutionary cold rolled galvanised steel fencepost in our Classic size.

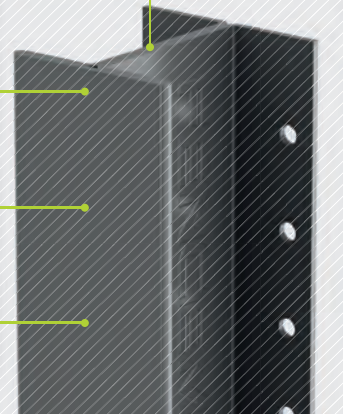
- Deep 48mm channel
- Available in four colours
- Guaranteed for up to 25 years
- Withstand winds of up to 110mph in line with standards BS EN 12839:1012 and BS EN 1794

Made from cold rolled galvanised steel

Will not rot, warp or crack like wood or concrete

More efficient to install saving time and money

Our DuraPost Classic weighs just 7.2kg



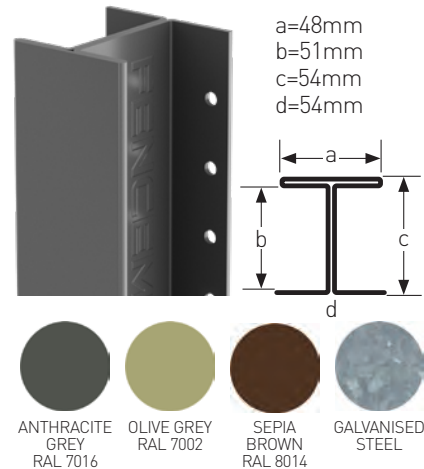
DuraPost® Classic

LENGTH (MM)	SIZE (MM) *	FINISH	BUNDLE QTY	CODE
1800	48 x 51	Galvanised	40	806 1801
1800	48 x 51	Anthracite Grey	40	806 180A
1800	48 x 51	Sepia Brown	40	806 180B
1800	48 x 51	Olive Grey	40	806 180G
2400	48 x 51	Galvanised	40	806 2401
2400	48 x 51	Anthracite Grey	40	806 240A
2400	48 x 51	Sepia Brown	40	806 240B
2400	48 x 51	Olive Grey	40	806 240G
2700	48 x 51	Galvanised	30	806 2701
2700	48 x 51	Anthracite Grey	30	806 270A
2700	48 x 51	Sepia Brown	30	806 270B
2700	48 x 51	Olive Grey	30	806 270G
3000	48 x 51	Galvanised	30	806 3051
3000	48 x 51	Anthracite Grey	30	806 305A
3000	48 x 51	Sepia Brown	30	806 305B
3000	48 x 51	Olive Grey	30	806 305G

* a x b.

1 pallet = Any 4 bundles. If less than a pallet quantity is ordered, surcharges apply. Gravel Board bundles may be used to make up pallet quantities.

Registered Design No 005518057-001. Patented GB2575681



DuraPost®
BY BIRKDALE

DURAPOST®
COMMERCIAL

BENEFITS

- 01 Strong:** Made from 2.5mm galvanised steel, Commercial DuraPost provides superior strength for higher fencing solutions
- 02 Scalable:** Suitable for fencing projects up to 4m above ground
- 03 Practical:** Designed for residential work and civil projects such as sound-proofing around supermarkets, petrol stations, takeaways, drive throughs and road-side fencing,

**Patented
GB2576969**

AVAILABLE COLOURS



DuraPost® Commercial Fence Post

LENGTH (MM)	SIZE INS (MM)	FINISH	PALLET QTY	MIN. ORDER QTY	CODE
2400	74 x 72.5	Galvanised	75	1	813 2401
3000	74 x 72.5	Galvanised	60	1	813 3001
3400	74 x 72.5	Galvanised	55	1	813 3401
4000	74 x 72.5	Galvanised	45	1	813 4001
5000	74 x 72.5	Galvanised	35	1	813 5001

For powder coated posts please contact us, available on quantity demand
Registered Design No 005518057-001. Patented GB2576969

**PATENTED
GB2576969**



**GALVANISED
STEEL**

DuraPost® Accessories

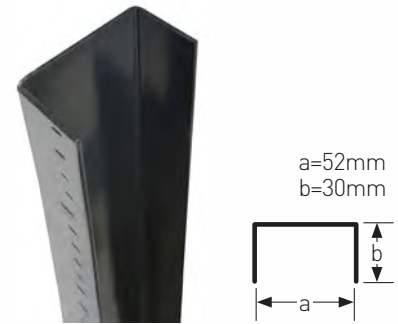
DuraPost® U Channel

For use as a wall plate or adaptor for corner post

LENGTH (MM)	SIZE (MM) *	FINISH	MIN ORDER QTY	PACK QTY	CODE
1800	52 x 30	Galvanised	1	10	807 1501
1800	52 x 30	Anthracite Grey	1	10	807 150A
1800	52 x 30	Sepia Brown	1	10	807 150B
1800	52 x 30	Olive Grey	1	10	807 150G
2100	52 x 30	Galvanised	1	10	807 0501
2100	52 x 30	Anthracite Grey	1	10	807 050A
2100	52 x 30	Sepia Brown	1	10	807 050B
2100	52 x 30	Olive Grey	1	10	807 050G
3000	52 x 30	Galvanised	1	10	807 3501
3000	52 x 30	Anthracite Grey	1	10	807 350A
3000	52 x 30	Sepia Brown	1	10	807 350B
3000	52 x 30	Olive Grey	1	10	807 350G

* a x b

DuraPost® U Channels can be fixed to any side of the gate/corner post (page 244) or used as a wall plate to start a continuous run of fencing. For suitable fixings see page 247.



DuraPost® Cover Strip for Classic Posts

- Used to conceal the fixings on the rear of the post
Added security as there is no access to the fixings.

LENGTH (MM)	FINISH	MIN. ORDER QTY	CODE
2100	Anthracite Grey	10	806 921A
2100	Sepia Brown	10	806 921B
2100	Olive Grey	10	806 921G

Cover strips can be cut to size
Bungs are included



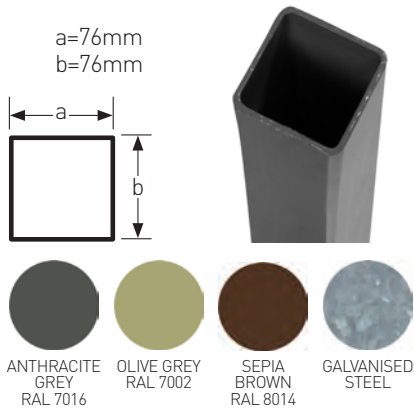
DuraPost® Cover Strip for U Channels

LENGTH (MM)	FINISH	MIN. ORDER QTY	CODE
2100	Anthracite Grey	10	806 821A
2100	Sepia Brown	10	806 821B
2100	Olive Grey	10	806 821G

Cover strips can be cut to size
Bungs are included



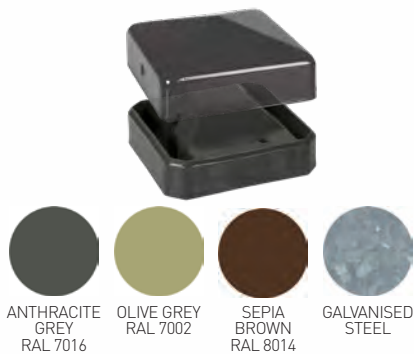
DuraPost® Gate Post/Corner Post



LENGTH (MM)	SIZE INS (MM) *	FINISH	MIN. ORDER QTY	CODE
1800	3" x 3" (76 x 76)	Galvanised	1	807 1801
1800	3" x 3" (76 x 76)	Anthracite Grey	1	807 180A
1800	3" x 3" (76 x 76)	Sepia Brown	1	807 180B
1800	3" x 3" (76 x 76)	Olive Grey	1	807 180G
2400	3" x 3" (76 x 76)	Galvanised	1	807 2401
2400	3" x 3" (76 x 76)	Anthracite Grey	1	807 240A
2400	3" x 3" (76 x 76)	Sepia Brown	1	807 240B
2400	3" x 3" (76 x 76)	Olive Grey	1	807 240G
3000	3" x 3" (76 x 76)	Galvanised	1	807 3001
3000	3" x 3" (76 x 76)	Anthracite Grey	1	807 300A
3000	3" x 3" (76 x 76)	Sepia Brown	1	807 300B
3000	3" x 3" (76 x 76)	Olive Grey	1	807 300G

* a x b. DuraPost® U Channels can be fixed to any side to allow for continuation of the fence.

DuraPost® Post Cap with Bracket

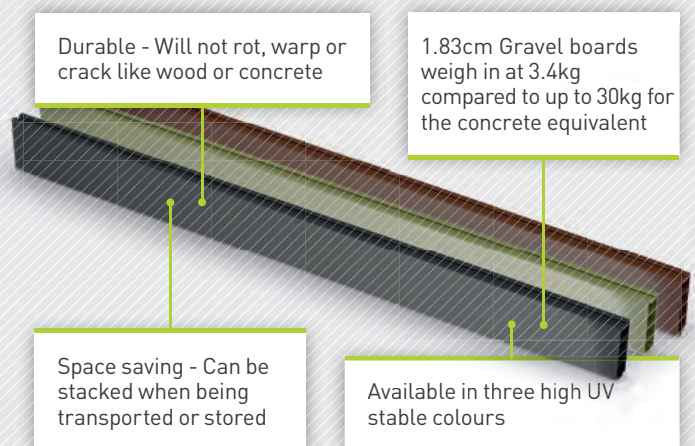


SIZE (MM)	FINISH	MIN. ORDER QTY	CODE
75 x 75	Galvanised	40	739 0751
75 x 75	Anthracite Grey	40	739 075A
75 x 75	Sepia Brown	40	739 075B
75 x 75	Olive Grey	40	739 075G

Fixings included

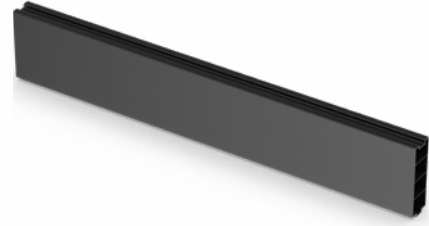
DURAPOST® COMPOSITE GRAVEL BOARDS

Designed to complement the DuraPost® system, the composite gravel board is a lightweight alternative to wood or concrete.



DuraPost® Composite Gravel Board

LENGTH (MM)	SIZE (MM)	FINISH	BUNDLE QTY	PALLET QTY	CODE
1830	150 x 50	Anthracite Grey	30	120	806 183A
1830	150 x 50	Sepia Brown	30	120	806 183B
1830	150 x 50	Olive Grey	30	120	806 183G
2440	150 x 50	Anthracite Grey	30	120	806 245A
2440	150 x 50	Sepia Brown	30	120	806 245B
2440	150 x 50	Olive Grey	30	120	806 245G
3000	150 x 50	Anthracite Grey	30	120	806 300A
3000	150 x 50	Sepia Brown	30	120	806 300B
3000	150 x 50	Olive Grey	30	120	806 300G



DuraPost® Reinforcing Rod for Composite Gravel Board

LENGTH (MM)	SIZE (MM)	FINISH	MIN. ORDER QTY	CODE
1800	40 x 30	Galvanised	1	806 1101
2440	40 x 30	Galvanised	1	806 1111

* composite gravel board not included



DuraPost® Z-Board

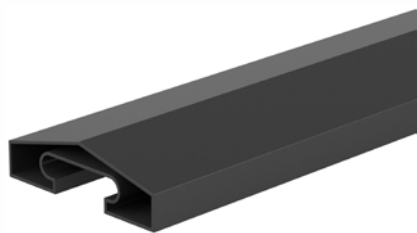
LENGTH (MM)	SIZE (MM)	FINISH	MIN. ORDER QTY	PALLET QTY	CODE
1830	150 x 50	Anthracite Grey	5	150	812 183A
1830	150 x 50	Sepia Brown	5	150	812 183B
1830	150 x 50	Olive Grey	5	150	812 183G
2400	150 x 50	Anthracite Grey	5	150	812 240A
2400	150 x 50	Sepia Brown	5	150	812 240B
2400	150 x 50	Olive Grey	5	150	812 240G
3000	150 x 50	Anthracite Grey	5	150	812 300A
3000	150 x 50	Sepia Brown	5	150	812 300B
3000	150 x 50	Olive Grey	5	150	812 300G
1830	300 x 50	Anthracite Grey	5	150	822 183A
1830	300 x 50	Sepia Brown	5	150	822 183B
1830	300 x 50	Olive Grey	5	150	822 183G
2400	300 x 50	Anthracite Grey	5	150	822 240A
2400	300 x 50	Sepia Brown	5	150	822 240B
2400	300 x 50	Olive Grey	5	150	822 240G
3000	300 x 50	Anthracite Grey	5	150	822 300A
3000	300 x 50	Sepia Brown	5	150	822 300B
3000	300 x 50	Olive Grey	5	150	822 300G



DuraPost® Z-Board Fixing Spacer

SIZE (MM)	FINISH	MIN. ORDER QTY	CODE
150 x 50 x 25	Black	12 Pairs	821 1063
300 x 50 x 25	Black	6 Pairs	822 0063





ANTHRACITE
GREY
RAL 7016

OLIVE GREY
RAL 7002

SEPIA
BROWN
RAL 8014

DuraPost® Capping Rail

LENGTH (MM)	SIZE (MM)	FINISH	MIN. ORDER QTY	CODE
1830	65	Anthracite Grey	1	808 165A
1830	65	Sepia Brown	1	808 165B
1830	65	Olive Grey	1	808 165G
2450	65	Anthracite Grey	1	808 265A
2450	65	Sepia Brown	1	808 265B
2450	65	Olive Grey	1	808 265G
3000	65	Anthracite Grey	1	808 365A
3000	65	Sepia Brown	1	808 365B
3000	65	Olive Grey	1	808 365G

DuraPost® Capping Rail Clip



SIZE (MM)	FINISH	MIN. ORDER QTY	CODE
20	BZP	Bag of 10	808 0202
20	Black	Bag of 10	808 0203

DuraPost® Rail Packer



SIZE (MM)	FINISH	MIN. ORDER QTY	CODE
60 x 20	Black	Bag of 10	808 0213

For use with composite fencing using stacked gravel boards to fit in the groove to allow you to fix the other capping clips.

DuraPost® Capping Rail In-Line Bracket



SIZE (MM)	FINISH	MIN. ORDER QTY	CODE
75 x 75 x 1	BZP	Bag of 10	808 0752

DuraPost® Bolt Down Post Support



SIZE (MM)	BASE THICKNESS (MM)	FINISH	MIN. ORDER QTY	CODE
150 x 150 x 80	5	Galvanised	Box of 10	806 1501
150 x 150 x 80	8	Galvanised	Box of 10	806 1508

DuraPost® Corner Post Bolt Down



SIZE (MM)	FINISH	MIN. ORDER QTY	CODE
125 x 125 x 104	Galvanised	1	807 0001

DuraPost® Fixings

Pan Head Self Drilling Screw for DuraPost®

SIZE (MM)	FINISH	MIN. ORDER QTY	CODE
4.8 x 16	Ruspert Silver	Bag of 10	471 1161

Ideal for use with DuraPost® U Channel and Post Caps.
Bulk quantities available



Countersunk Self Drilling Screw for DuraPost®

SIZE (MM)	FINISH	MIN. ORDER QTY	CODE
5.5 x 40	Ruspert Silver	Bag of 10	471 1551

Ideal for securing directly to the gate/corner post.
Bulk quantities available



Pan Head Timber Screw for DuraPost®

SIZE (MM)	FINISH	MIN. ORDER QTY	CODE
Bag of 10			
4 x 40	Ruspert Silver	1 Bag	334 10401
4 x 40	Anthracite Grey	1 Bag	334 1040A
4 x 40	Sepia Brown	1 Bag	334 1040B
4 x 40	Olive Grey	1 Bag	334 1040G

Box of 200			
4 x 40	Ruspert Silver	1 Box	334 00401
4 x 40	Anthracite Grey	1 Box	334 0040A
4 x 40	Sepia Brown	1 Box	334 0040B
4 x 40	Olive Grey	1 Box	334 0040G

Ideal for use with DuraPost®
Bulk quantities available



ANTHRACITE
GREY
RAL 7016

OLIVE GREY
RAL 7002

SEPIA
BROWN
RAL 8014

DuraPost®
BY BIRKDALE

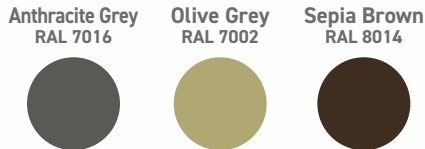
DURAPOST®
**ALUMINIUM
GATE**

The DuraPost® Aluminium Gate is a versatile addition to any fencing project. With an adjustable width and height, you can tweak the frame on-site which means that there's no need to go back and forth measuring up and the ability to switch and change products depending on your design makes this a unique product. You can fit and install this gate to a DuraPost post or a standard timber post.

Frame Slam Kit Lock & Hinge Set



AVAILABLE COLOURS

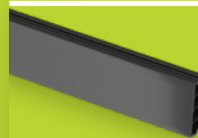


NEW



COMPLETE THE LOOK

*can be fixed to a timber post



Infill Panels
To complete the
pictured gate



DuraPosts
Get the perfect
look with
DuraPost posts



Post Caps
Finish with
matching Post
Caps

DuraPost® Aluminium Gate Frame

Kit required to create aluminium gate frame. Width and Height can be cut to size with a maximum opening of 1765mm x 1300mm (h x w)

SIZE (MM)	FINISH	MIN. ORDER QTY	CODE
1765 x 1300	Anthracite Grey	1	814 100A
1765 x 1300	Sepia Brown	1	814 100B
1765 x 1300	Olive Grey	1	814 100G

NEW



DuraPost® Aluminium Gate Hardware Kit

Kit comprised of

- 72mm centre, 60mm back set lock
- 2 x 165 x 60mm stainless steel lift off hinge
- 72mm narrow style back plate handle
- All required gate fixings

FINISH	MIN. ORDER QTY	CODE
Stainless Steel	1	814 2000



DuraPost® In-Fill Panel

PVC in-fill panel for gate

SIZE (MM)	FINISH	MIN. ORDER QTY	CODE
1000 x 150 x 50	Anthracite Grey	1	814 120A
1000 x 150 x 50	Sepia Brown	1	814 120B
1000 x 150 x 50	Olive Grey	1	814 120G



DuraPost® Gate Slam Kit

SIZE (MM)	FINISH	MIN. ORDER QTY	CODE
1760 x 77 x 47	Anthracite Grey	1	814 101A
1760 x 77 x 47	Sepia Brown	1	814 101B
1760 x 77 x 47	Olive Grey	1	814 101G



NEW

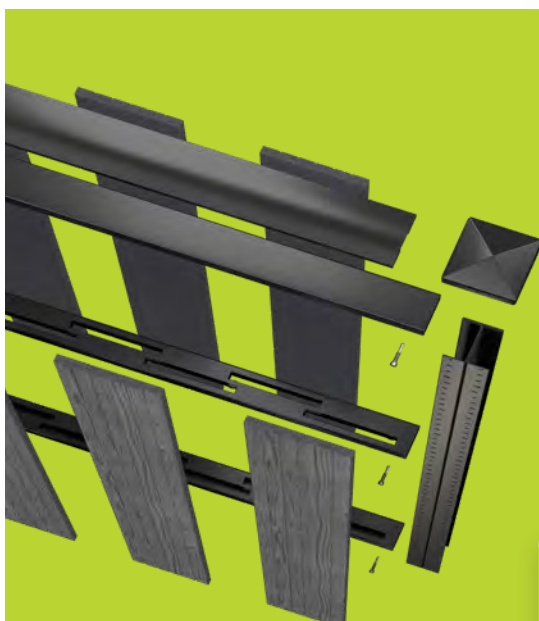
DuraPost®
BY BIRKDALE


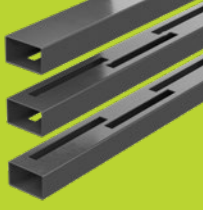

DURAPOST®
NEW COMPOSITE
FENCE PANELS

New for 2022, the new composite panels by DuraPost® provide a contemporary feel, while keeping a timeless, authentic timber finish that will enhance your garden.




These maintenance-free composite panels are a reliable and sustainable option, manufactured from a blend of rice husk that is a natural waste from rice crops and recycled HDPE.

CREATE A DURAPOST® VENTO COMPOSITE FENCE PANEL

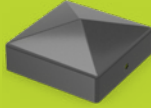





<p>Vento Composite Panel Boards</p> <p>Each bay is made up of 16 composite boards</p> 	<p>Cross-rails for Full Height Vento Composite Fence Panel</p> <p>Create a strong frame for your panel</p> 	<p>DuraPost® Classic</p> <p>Made from cold rolled galvanised steel</p> 
---	---	--

AVAILABLE COLOURS

		
Grey	Brown	Natural

COMPLETE THE LOOK

 <p>Post Caps</p>	 <p>Gravel Board</p>	 <p>Capping Rail</p>	 <p>Cover Strips</p>
---	---	--	--



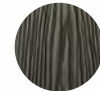
DuraPost® Vento Composite Panel Boards

Each pack contains 8 boards. To assemble a full bay 2 packs will be required

LENGTH (MM)	SIZE (MM)	FINISH	MIN. ORDER QTY	CODE
1795	125 x 10.5	Grey	1	815 183A
1795	125 x 10.5	Brown	1	815 183B
1795	125 x 10.5	Natural	1	815 183G



NEW



GREY



BROWN



NATURAL

DuraPost® Cross-rails for Full Height Vento Composite Fence Panel

This contains a top, middle and bottom cross-rail

LENGTH (MM)	SIZE (MM)	FINISH	MIN. ORDER QTY	CODE
1830	50 x 30	Anthracite Grey	1	825 183A
1830	50 x 30	Sepia Brown	1	825 183B
1830	50 x 30	Olive Grey	1	825 183G



NEW



ANTHRACITE
GREY
RAL 7016



OLIVE GREY
RAL 7002



SEPIA
BROWN
RAL 8014

DuraPost® Cross-rails for 900mm Vento Composite Fence Panel

This contains a top and bottom cross-rail

LENGTH (MM)	SIZE (MM)	FINISH	MIN. ORDER QTY	CODE
1830	50 x 30	Anthracite Grey	1	825 090A
1830	50 x 30	Sepia Brown	1	825 090B
1830	50 x 30	Olive Grey	1	825 090G



NEW



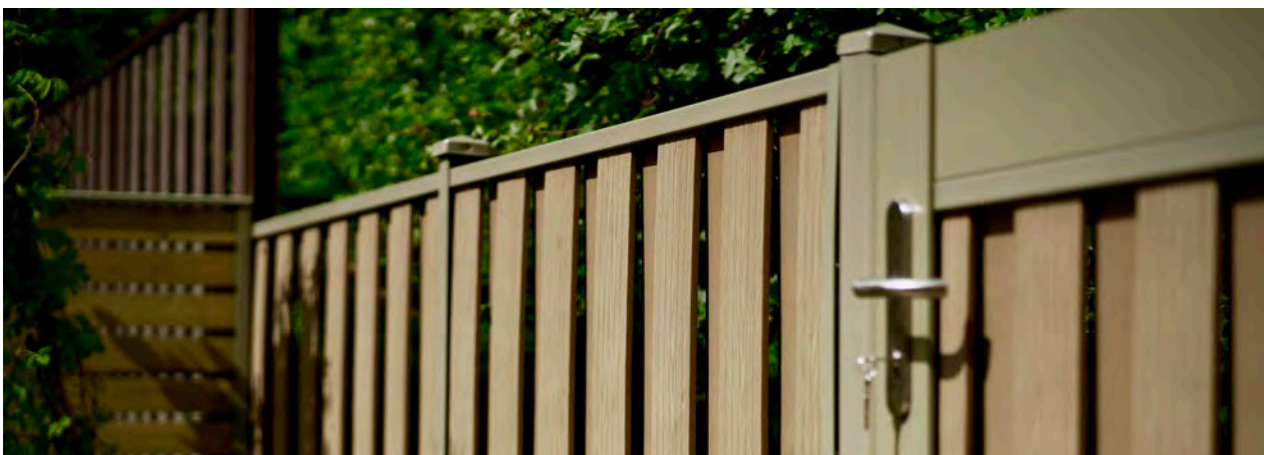
ANTHRACITE
GREY
RAL 7016



OLIVE GREY
RAL 7002



SEPIA
BROWN
RAL 8014



NEW



GREY



BROWN



NATURAL

DuraPost® Urban Slatted Composite Panel Boards

Each pack contains 2 boards. To assemble a full bay 3 packs will be required

LENGTH (MM)	SIZE (MM)	FINISH	MIN. ORDER QTY	CODE
1830	50 x 300	Grey	1	835 183A
1830	50 x 300	Brown	1	835 183B
1830	50 x 300	Natural	1	835 183G



NEW



ANTHRACITE
GREY
RAL 7016



OLIVE GREY
RAL 7002



SEPIA
BROWN
RAL 8014

DuraPost® Cross-rails for Urban Slatted Composite Fence Panel

This contains a top and bottom cross-rail

LENGTH (MM)	SIZE (MM)	FINISH	MIN. ORDER QTY	CODE
1830	50 x 37	Anthracite Grey	1	835 000A
1830	50 x 37	Sepia Brown	1	835 000B
1830	50 x 37	Olive Grey	1	835 000G

DuraPost® Touch-up Spray

VOLUME	FINISH	MIN. ORDER QTY	CODE
400ml	Anthracite Grey	1	806 040A
400ml	Sepia Brown	1	806 040B
400ml	Olive Grey	1	806 040G





COMPLETE YOUR GARDEN LIGHTING IN 3 EASY STEPS NO ELECTRICIAN REQUIRED

254 Expandable Starter Kits

258 Cables, Connectors & Transformer

255 Build your Own

259 Accessories

↗
P255



↗
P256



↗
P257



↗
P258



EXPANDABLE STARTER KITS



**4
PACK**

**WEATHER
PROOF
RATING**
IP55

Garden Deck Light Kit Warm White / Stainless Steel / 1W LED

- No Electrician required to install
- Up to 12 lights per transformer
- No output variance
- Water resistant lighting
- Waterproof transformer
- 2 year warranty

1W DECK LIGHT KIT

Power	1W
Nominal Voltage	12V
Bulb type	LED Non-replaceable
Lumens	120 LUMENS
Cable Length	0.2m
Construction	Stainless Steel housing Heavy Duty Glass lens
Package contents	4 x 1W Deck Lights 1 x Transformer 1 x 10m Cable 3 x 1m Cables 3 x T-Piece Connectors
Hole required	32mm Ø
CODE	01EL200



**4
PACK**

**WEATHER
PROOF
RATING**
IP55

Garden Spotlight Kit Warm White / Black / 2W LED

- No Electrician required to install
- Up to 12 lights per transformer
- No output variance
- Water resistant lighting
- Waterproof transformer
- 2 year warranty

2W SPOTLIGHT KIT

Power	2W
Nominal Voltage	12V
Bulb type	LED MR11
Lumens	170 LUMENS
Cable Length	0.5m
Construction	Black plastic housing
Package contents	4 x Small Spotlights 1 x Transformer 1 x 10m Cable 3 x 1m Cables 3 x T-Piece Connectors
CODE	01EL201

A great custom lighting system starts with great planning.
Complete your garden lighting in 3 easy steps

BUILD YOUR OWN



SELECT YOUR LIGHTS

Any style or size
MAX 12 LIGHTS PER TRANSFORMER



CHOOSE YOUR CONNECTORS & CABLES

Various lengths
MAX 50M PER TRANSFORMER



GRAB A TRANSFORMER

Plug in and enjoy
IT'S THAT SIMPLE

Step 1 - Select your lights

Garden Spotlight Warm White

	2W SPOTLIGHT SMALL	3W SPOTLIGHT LARGE
Power	2W	3W
Nominal Voltage	12V	12V
Bulb type	LED MR11	LED MR16
Lumens	170 LUMENS	250 LUMENS
Cable Length	0.5m	0.5m
Construction	Black plastic housing	Black plastic housing
Package contents	1 x Light fixture with base & plastic spike 1 x Bulb	1 x Light fixture with base & plastic spike 1 x Bulb
Requires	12V transformer (not included in pack and sold separately)	12V transformer (not included in pack and sold separately)
Adjustable head	Yes	Yes
CODE	01EL062	01EL063



Garden Spotlight Warm White / 2W LED Stainless Steel

	2W SPOTLIGHT S/S
Power	2W
Nominal Voltage	12V
Bulb type	LED MR11
Lumens	170 LUMENS
Cable Length	0.5m
Construction	Stainless steel housing
Package contents	1 x Light fixture with base & stainless steel spike 1 x Bulb
Requires	12V transformer (not included in pack and sold separately)
Adjustable head	Yes
CODE	01EL066





Garden Bollard / Warm White / Black / 3W LED



**WEATHER
PROOF
RATING**
IP55

Power	3W
Nominal Voltage	12V
Bulb type	LED MR16
Lumens	40 LUMENS
Cable Length	0.5m
Construction	Black coated housing
Package contents	1 x Light fixture with base & metal spike 1 x Bulb
Requires	12V transformer (not included in pack and sold separately)
CODE	01EL082

Garden Bollard / Warm White / Stainless Steel / 3W LED



**WEATHER
PROOF
RATING**
IP55

Power	3W
Nominal Voltage	12V
Bulb type	LED MR16
Lumens	40 LUMENS
Cable Length	0.5m
Construction	Stainless steel housing
Package contents	1 x Light fixture with base & metal spike 1 x Bulb
Requires	12V transformer (not included in pack and sold separately)
CODE	01EL081

Deck Light / Warm White / 1W LED (4 pack)

Power	1W
Nominal Voltage	12V
Bulb type	LED Non-replaceable
Lumens	120 LUMENS
Construction	Stainless steel housing Heavy duty glass lens
Package contents	4 x Light fixture 4 x Bulbs
Requires	12V transformer (not included in pack and sold separately)
Hole required	32mm Ø
CODE	01EL091



Large Deck Light / Warm White / 2W LED

Power	2W
Nominal Voltage	12V
Bulb type	LED MR11
Lumens	170 LUMENS
Construction	Stainless steel housing Heavy duty glass lens
Package contents	1 x Light fixture 1 x Bulb
Requires	12V transformer (not included in pack and sold separately)
Hole required	48mm Ø
CODE	01EL092



Step 2 - Select Your Cables and Connectors



**WEATHER
PROOF
RATING**
IP55

Cables

UV Resistant	Yes
Material	Rubber
Outdoor Use	Yes
Connections	1 Male / 1 Female
Cable Diameter	1mm ²

Length (m)	CODE
0.2	02EC200
1	02EC001
2	02EC002
5	02EC005
10	02EC010



**WEATHER
PROOF
RATING**
IP55

T-Piece Connector

- Used to connect your lights together
- You will need a T-piece with every light except the last one e.g. if you purchase 5 small spotlights, you will need 4 T-pieces.

UV Resistant	Yes
Material	Plastic
Outdoor Use	Yes
Connections	1 Male / 2 Female

CODE **02EC003**



**WEATHER
PROOF
RATING**
IP55

Automatic Light Sensor

- Automatically turn your lights on & off at night
- Features a 4 or 6 hour timer function. Position before first light
- Includes a male to male connector cable

Max Power	100W
Nominal Voltage	12V
Material	Black plastic housing
Outdoor Use	Yes

CODE **02EC020**

Step 3 - Grab a transformer



**WEATHER
PROOF
RATING**
IP67

Outdoor Transformer

Power	Power: 100W/ 8330mA
Output Voltage	DC 12V
Input Voltage	240V
Material	Aluminium housing
Outdoor Use	Yes
Cable Diameter	1mm ²

CODE **02ET100**

Accessories

Replacement Bulbs MR11

- Suitable for Small Spotlight, Stainless Steel Spotlight, Large Deck Light and Light Kits
- Choice of warm white or cool white

Power	2W
Nominal Voltage	12V
Bulb type	LED
Kelvin rating (K)	Warm white 2800-3000K Cool white 7000-8000K

Package contents	4 x Bulbs
Compatible with	12V transformer (not included in pack and sold separately)



COLOUR	CODE
Warm white	02EB011
Cool white	02EB111

Replacement Bulbs MR16

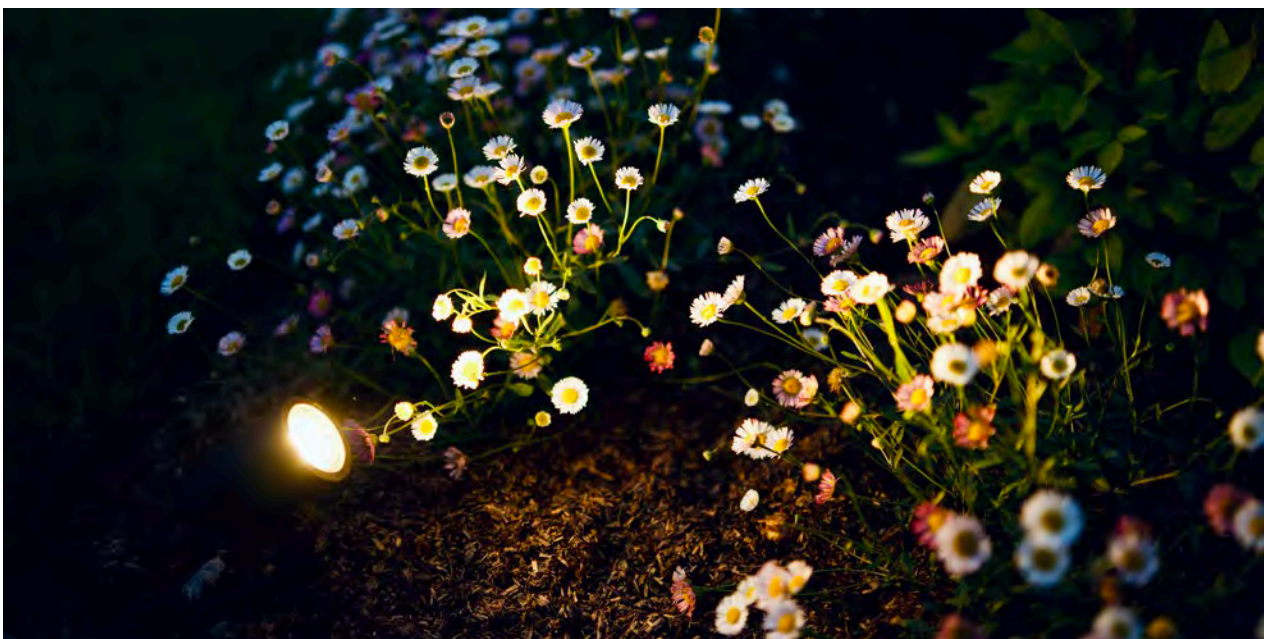
- Suitable for Large Spotlight, Black Bollard Light and Stainless Steel Bollard Light
- Choice of warm white or cool white

Power	3W
Nominal Voltage	12V
Bulb type	LED
Kelvin rating (K)	Warm white 2800-3000K Cool white 7000-8000K

Package contents	4 x Bulbs
Compatible with	12V transformer (not included in pack and sold separately)



COLOUR	CODE
Warm white	02EB016
Cool white	02EB116



Spotlight Lens

4
PACK



Customise your system with a choice of 3 coloured lenses
Package contents 4 x Bulbs

	Small	Large
COLOUR	CODE	CODE
Blue	02EL057	02EL055
Green	02EL059	02EL056
Red	02EL058	02EL054

Deck Light Lens

4
PACK



Customise your system with a choice of 3 coloured lenses
Package contents 4 x Bulbs

	Small	Large
COLOUR	CODE	CODE
Blue	02EL047	02EL044
Green	02EL048	02EL045
Red	02EL049	02EL046



Index

A

Acorn Finials.....	150
Adjustable Band & Hook on Plate	
Pre-packed For Display.....	40
Bulk Packed.....	84
Premium Finishes.....	54, 57, 128, 131
Adjustable Bands & Adjustable Hooks on Plate..	85
Adjustable Bolt-Down Post Supports.....	146
Adjustable Bottom Fitting.....	109
Adjustable Bottom Hinge - Easi Fit Gate	
Post System.....	68
Adjustable Curved Rail Hinges with Hooks	
on Plates.....	82
Adjustable Double Strap Hinge Set	
Standard.....	22
Premium Finishes.....	58
Adjustable Eyebolts.....	114
Adjustable Gate Eye with 2 Nuts.....	114
Adjustable Hook on Narrow Plate.....	110
Adjustable Hook on Plate	
Standard.....	110
Premium Finishes.....	132
Adjustable RSJ Field Gate Hanger for	
Metal Gates.....	112
Adjustable Self Closing Hinges.....	64
Adjustable Top Hinge - Easi Fit Gate Post	
System.....	68
Adze.....	188
Aluminium Decking Spindle.....	157, 158
Aluminium Level.....	199, 200
Aluminium Self Closing Hinges.....	64, 65
Anchor Bolt-Down Plates.....	181
Angle Brackets, Heavy Duty.....	180
Angle Cleats.....	164
Angle Plate Bracket.....	176
Animal Bolt	
Pre-packed For Display.....	49
Bulk Packed.....	97, 98
Animal Safety Self Locking Gate Catch	
Pre-packed For Display.....	29
Bulk Packed.....	116
Annular Ring Shank Nails.....	211
Anti Theft Bracket.....	115
Antique Ironmongery	
Pre-packed For Display.....	60-63
Bulk Packed.....	134-137
Anti-Rattle Panel Clamp for Concrete Posts.....	177
Anti-Slip Plate.....	160
Arc Spindles.....	157
Armoured Block Padlock.....	19
Arris Rail Mortice Bracket.....	174
Arris Rail Repair Bracket.....	174
Ascot Single Entrance Gate.....	68
Auto Gate Catch	
Pre-packed For Display.....	45
Bulk Packed.....	93
Autolock Animal Bolt	
Pre-packed For Display.....	49
Bulk Packed.....	97
Automatic Fencing Pliers & Fencing Clips.....	167

B

Back Flap Hinges 400.....	88
Ball & Collar Finials.....	149
Ball Bearing Hinges.....	88
Balustrade Brackets	
Pre-packed For Display.....	74
Bulk Packed.....	177

Band & Hook Hinges	
Straight.....	38, 54, 60, 80, 128
Cranked.....	39, 54, 57, 81, 128, 130
Adjustable.....	40, 54, 57, 84, 85, 128, 131
Barbed Staples.....	212
Barbed Wire Brackets.....	163
Barbed Wire Spacers.....	163
Baroque Spindles.....	157
Barrel Strainers	
Pre-packed For Display.....	73
Bulk Packed.....	164
Base Plate for Wooden Post.....	160
Base Rail for Decking.....	159
Beware Of The Dog Sign.....	53
Birds Mouth Post Strap.....	178
Bishop Hat Post Strap (Five Times Bent).....	178
Black Touch Up Paint & Brush.....	207
Black Zinc Rich Aerosol.....	207
Blue Polypropylene Rope Coil.....	205
Bolt & Coach Screws.....	226-229
Bolt Croppers.....	198
Bolt Down Post Support.....	147
Bolt Locking Winders.....	165
Bolt On Arris Rail Brackets Handed.....	174
Bolt-Down U Post Support.....	147
Bottom Band for Field Gates.....	109
Bottom Pivot Hinge - Easi Fit Gate Post	
System.....	68, 127
Bow Handle Bolts with 5/8" Square Shoot	
Pre-packed For Display.....	51
Bulk Packed.....	100
Braced Adjustable Band & Hook on Plate	
Pre-packed For Display.....	40
Bulk Packed.....	85
Brackets for Rope Handrails.....	154, 155
Brass Padlock.....	18
Brenton Padbolt Kit with 2" Padlock.....	49
Brenton Padbolt with 1/2" Shoot	
Pre-packed For Display.....	48
Bulk Packed.....	96
Premium Finishes.....	56, 59, 129, 133
Brenton Padbolt with 5/8" Shoot	
Pre-packed For Display.....	48
Bulk Packed.....	96
Premium Finishes.....	56, 129
Brenton Padbolt with Elongated Keep &	
5/8" Shoot	
Pre-packed For Display	
Bulk Packed.....	48, 97, 133
Broom.....	190
Bucket.....	206
Bucket Clip on Plate	
Pre-packed For Display.....	72
Bulk Packed.....	172
Bullnose Hanger for Metal Gates.....	126
Bungee Strap.....	204, 205
Burst of Sunshine Deck Panels.....	158
Butt Hinges	
Pre-packed For Display.....	41, 42
Bulk Packed.....	87, 88
Premium Finishes.....	55
Butterfly Hinges (Ornamental)	
Pre-packed For Display.....	60
Bulk Packed.....	134

C

Cabin Hook	
Pre-packed For Display.....	46

Bulk Packed.....	94
Premium Finishes.....	56, 59, 129, 133
Ornamental.....	61, 136
Cable Laying Pattern Shovel	
Standard.....	188
Insulated.....	195
Cane Bolt.....	50
Cant Rail Bracket.....	174
Caps.....	148
Carbine Hooks	
Pre-packed For Display.....	71
Bulk Packed.....	170
Carpenters Pencils.....	201
Carriage Bolt.....	227, 228
Carrier to Weld.....	181
Casement Stay.....	105, 137
Cast Ball Door Knob	
Pre-packed For Display.....	21
Bulk Packed.....	104
Cast Gravity Catch.....	120
Cast Heel to Concrete In for Metal Gates.....	126
Cast Octagonal Door Knob Furniture (Ornamental)	
Pre-packed For Display.....	63
Bulk Packed.....	137
Cast Oval Door Knob	
Pre-packed For Display.....	21
Bulk Packed.....	104
Cast Pattern Cabin Hooks	
Pre-packed For Display.....	46
Bulk Packed.....	94
Premium Finishes.....	56, 59, 129, 133
Ornamental.....	61, 136
Cast Pull Handles	
Pre-packed For Display.....	17
Bulk Packed.....	104
Catches for Suffolk/Ring Latches.....	92
Central Closing Catch	
Pre-packed For Display.....	30
Bulk Packed.....	118
Centre Cutters.....	198
Centre Gate Stop with 3 Legs.....	105
Chain - Plastic.....	102
Chain & Fittings	
Pre-packed For Display.....	70
Bulk Packed.....	169-170
Chain Bolt with 5/8" Square Shoot	
Pre-packed For Display.....	51
Bulk Packed.....	100
Chemset Injection System.....	207
Chisel & Point Crowbar	
Standard.....	190
Insulated.....	196
CL22 Ring Fasteners.....	167
Clamp On Throwover Loop for Metal Gates.....	121
Clamp On Wheel for Metal Gates.....	123
Classic Spindles.....	157
Claw Hammer	
Standard.....	192
Insulated.....	197
Cleats	
Angle.....	164
Two Pin.....	173
Clipping Gun.....	167
Clout Nails.....	210
Coach Screws.....	226
Cold Galv Aerosol.....	207
Collar to Weld.....	115
Collated Nails.....	214, 215

Index

Concrete Bolts	230	Door Studs (Ornamental)	137	DuraPost® Touch-up Spray	252
Concrete In Receiver Socket	100	Door/Gate Handle		DuraPost® U Channel	243
Concrete Screws (Masonry Screws)	231	Pre-packed For Display	17, 62	DuraPost® Z-Board	245
Concrete-In Post Support	145	Bulk Packed	104, 136	DuraPost® Z-Board Fixing Spacer	245
Concrete-In U Post Support	147	Double Barbed Staples	212	E	
Cone Head Security Nuts	235	Double Ended Woodscrews	151	Easi-Fit Adjustable Gate Post System	67, 68
Construction Components	179-181	Double Gate Fastener Set with Garage Door Bolt		Easy Use Panel Bracket	187
Contemporary Deck Panels	158	Standard	27	Easy-Close Auto Gate Catch	
Corner Braces		Premium Finishes	58, 131	Pre-packed For Display	45
Pre-packed For Display	74	Double Leg Striker for Self Locking Catches	117	Bulk Packed	93
Bulk Packed	176	Double Pressed Butt Hinges 899	87	Elastic Tie Down	204, 205
Corner Plates	176	Double Pressed Butt Hinges without Holes 899T87		Ellumière Automatic Light Sensor	258
Corrugated Fastener	237	Double Shovel Holer		Ellumière Cables	258
Countersunk Head Pozidrive Wood Screw. 216-219		Standard	187	Ellumière Deck Light Kit	254
Cover for Base Plate	160	Insulated	195	Ellumière Deck Lights	257
Cranked Bands & Hook on Plate		Double Strap Band	107, 108, 132	Ellumière Garden Bollards	256
Pre-packed For Display	39	Double Strap Hinge Set		Ellumière Lens for Ellumière	260
Bulk Packed	81	Standard	22, 23	Ellumière Outdoor Transformer	258
Premium Finishes	54, 57, 128, 130	Adjustable Double Strap Hinge Set	24	Ellumière Replacement Bulbs	259
Cranked Curve Rail Hinge Set		Self-Closing/Rising Hinge Set	26	Ellumière Spotlight Kit	254
Pre-packed For Display	39	Premium Finishes	58	Ellumière Spotlights	255
Bulk Packed	82	Dowels	237	Ellumière T-Piece Connector	258
Premium Finishes	57, 131	Drive Catch	117	Elongated Keep	97
Cranked Leg Striker for Self Locking Catches .. 117		Drive-In Post Support	142, 145	End Cutters	197
Cross Pattern Door Bolt		Drive-In Tool	147	End Fitting	171
Pre-packed For Display	49	Drop Bolt		Endless Lashing Strap	203
Bulk Packed	97	Pre-packed For Display	50	Endless Ratchet Strap	203
Crowbar		Bulk Packed	99	Equestrian Accessories	172
Standard	190, 191	Premium Finishes	56, 59, 130, 133	Escutcheon for Euro Profile Long Throw Lock	15
Insulated	196	High Performance Composite	65	Estate Pattern Bands	82
Cups for Heavy Reversible Hinges	86	Ornamental	62, 136	Euro Profile Long Throw Lock	14, 15
Cup Hinges		For Metal Field Gates	120	Excavator Fencer's Graft	187
Pre-packed For Display	41	Drop Bolt Eye to Weld	181	Expanding Bolts	233
Bulk Packed	86	Drop Bolt Holder	181	Expansion Plugs	232
Premium Finishes	57, 131	Drop Catches	184	Express Nails	232
Cup Square Hex Bolts & Nuts	227, 228	DuraPost® Accessories		Extra Large Head Clout Nails	210
Cupped Jump Cups	172	Capping Rail	243	Eye on Plates for Rope Handrails	154, 155
Curve Rail Hinge Set		Capping Rail Clip	246	Eye to Weld	113
Pre-packed For Display	39	Capping Rail In-Line Bracket	246	Eyebolt Hanger for Metal Gates	124
Bulk Packed	82	Cover Strips	246	Eyebolts	114
Premium Finishes	57	Rail Packer	246	F	
Curved Decking Panels	156	Post Caps	244	F20 Hog Ring Clips	167
Cut Point Staples	212	DuraPost® Aluminium Gate		Fabrication Components	181, 182
Cutting Discs for Metal	206	Aluminium Gate Frame	248	Fast Set Post Concrete	141
D		Aluminium Gate Hardware Kit	249	Fence Pin	147
D Bracket		In-Fill Panel	249	Fence Pliers Automatic & Fencing Clips	167
Pre-packed For Display	31	Gate Slam Kit	249	FENCEMATE® Post Concrete	141
Bulk Packed	122	DuraPost® Bolt Down Post Support	246	FENCEMATE® Post Supports	142-147
Deck Joist Shoe	180	DuraPost® Classic	241	Fencer's Pliers	198
Decking Accessories	156-160	DuraPost® Commercial Fence Post	242	Fencer's Grafts	
Decking Panels	156, 158	DuraPost® Composite Gravel Board	245	Standard	186, 187
Decking Post	159	DuraPost® Reinforcing Rod for Composite		Insulated	195
Decking Rope	152, 153	Gravel Board	245	Fencing Accessories	
Decking Screws	222, 223	DuraPost® Composite Panels		Pre-packed For Display	74
Decking Spindle	157, 158	Vento Composite Panel Boards	251	Bulk Packed	162-184
Decorative Rope	152, 153	Cross-rails for Full Height Vento Composite		Fencing Tools	
Dee Shackles		Fence Panel	251	Standard	186-193
Pre-packed For Display	71	Cross-rails for 900mm Vento Composite		Insulated	195-197
Bulk Packed	170	Fence Panel	251	Ferrule Winders	164
Deterrent Spikes	152	Urban Slatted Composite Panel Boards	252	Field Gate Fittings	
Devon Drop	123	Cross-rails for Urban Slatted Composite		Pre-packed For Display	22-32
Digging Spade	188	Fence Panel	252	Bulk Packed	107-126
Digging Tools		DuraPost® Corner Post Bolt Down	246	Field Gate Hinges	22-26, 107-109
Standard	186-188	DuraPost® Fixings		Field Gate Latches	
Insulated	194-197	Pan Head Self Drilling Screw	247	Pre-packed For Display	28-30
Discus Padlock	19	Countersunk Self Drilling Screw	247	Bulk Packed	116-120
Dog Washer (Timber Connectors)	179	Pan Head Timber Screw	247	Finials	148-151

Index

Fish Plate	164	Gripples	163	High Security Escutcheon for Euro Profile	
Fixings & Fastenings	208-237	Ground Socket to Concrete-In	146	Long Throw Lock	17
Flake Staple	123			High Tensile Line Wire	174
Flat Barbed Wire Brackets	163	H		High Visibility Reflectors	53
Flat Plate Concrete in Gate Stop	105	Hair Pin Staples	163	Hinge Front (Ornamental)	134
Flat Pry Bar	190	Half Nuts	235	Hinge Pin	183
Flat Sided Throwover Loop	121	Half Round Gate Hanger Kit for Metal Gates	125	Hinge Set	
Fleur De Leys Tee Hinges (Ornamental)		Hammers		Double Strap Hinge Set	22-26
Pre-packed For Display	60	Standard	191,192	Adjustable Double Strap Hinge Set	24
Bulk Packed	134	Insulated	197	Self-Closing/Rising Hinge Set	26
Flexi Bucket	206	Hand Nail Plate	180	Hinges	
Flush Bolt Down Post Support	144	Hand Rail for Decking	159	Tee Hinges	34-37, 54, 56, 76-79, 128, 130, 134
Flush Hinges	88	Hand Tools	192, 193, 197-202	Hook & Band Hinges	38-40, 54, 57, 80-82, 84, 85, 128, 130, 131
Fluted Angle Bracket	106	Handed Hook on Plate	111	Heavy Reversible Hinges	41, 57, 86, 131
Folded Eyebolts	166	Handle Retaining Bracket	118	Butt Hinges	41, 42, 87, 88
Folding Knife	202	Handles for Long Throw Locks	15, 17	High Performance Composite Hinges	64, 65
Fork (Insulated Contractor's Fork)	195	Handrail Bracket		Ornamental Hinges	60, 61, 134, 135
FP222 Rapid Automatic Gun	167	Pre-packed For Display	70	Field Gate Hinges	22-26, 107-109
Frame Fixings	232	Bulk Packed	106	Hog Ring Clips	167
G		Handsaw 'Jack' Hardpoint	193	Hook & Band Hinges	
Garage Door Bolt with 5/8" Shoot		Hanger to Bolt	82, 111	Straight	38, 54, 80, 128
Pre-packed For Display	50	Hanger to Bolt for Metal Gates	124	Cranked	39, 54, 57, 81, 82, 128, 130, 131
Bulk Packed	99	Hanger to Concrete In for Metal Gates	126	Adjustable	40, 54, 57, 84, 128, 131
Premium Finishes	56, 59, 130, 133	Hanger with Eye on Corner for Metal		Hook & Eye on Plate for Rope Handrails	154
High Performance Composite	65	Gates - 90° Angle	124	Hook on Plate	
Ornamental	62, 136	Hanging Set (Double Strap Hinge Set)		Pre-packed For Display	72
Garage Door Holder	98	Standard Double Strap Hinge Set	22-26	Bulk Packed	82, 85, 110, 111, 171
Gas Gate Closer	105	Adjustable Double Strap Hinge Set	24	Hooks	
Gate Automation Accessories	127	Self-Closing/Rising Hinge Set	26	To Drive	83, 112
Gate Building Kit	109	Premium Finishes	58	To Build	112
Gate Eye to Weld	113	Hasp & Staple		To Screw	112
Gate Fixing Kit	33, 69	Pre-packed For Display	52	To Weld	113
Gate Hanger to Bolt	82, 111	Bulk Packed	101, 102	To Bolt	82, 111
Gate Hook to Weld	113	Heavy Cross Pattern Door Bolt		Hooks for Rope Handrails	155
Gate Mounted Flat Plate Stop	105	Pre-packed For Display	49	Horizontal Hanger for Metal Gates	126
Gate Post System	67, 68	Bulk Packed	97	Hot Bed Handles	
Gate Return Springs		Heavy Duty Angle Brackets	180	Pre-packed For Display	17
Pre-packed For Display	45	Heavy Duty Armoured Block Padlock	19	Bulk Packed	104
Bulk Packed	93	Heavy Duty Handrail Bracket	106	Hunting Type Locking Catch	
Gate Sign	53	Heavy Duty Offset Tee Hinges		Pre-packed For Display	29, 30
Gate Staple		Pre-packed For Display	37	Bulk Packed	116, 117
Pre-packed For Display	31	Bulk Packed	79	Hurdle Eye To Bolt	182
Bulk Packed	123	Heavy Duty Ratchet Tie Down	204	Hurlings	88
Gate Stops	105	Heavy Locking Garage Door Bolt		Hydraulic Gate Closer	105
Gate Wheel, Spring Loaded		Pre-packed For Display	50		
Pre-packed For Display	32	Bulk Packed	99		
Bulk Packed	123	Premium Finishes	56, 130		
GATEMATE® Long Throw Lock	14-16	Heavy Reversible Hinges			
GATEMATE® Pre-packed Ironmongery	14-74	Pre-packed For Display	41	I	
GATEMATE® Steel Gate Post	67	Bulk Packed	86	Insulated Tools	194-197
Gates	68	Premium Finishes	57, 131	Irish Field Gate Fittings	124-126
Gordian Ring Gun	167	Heavy Safety Pattern Hasp & Staple		J	
Gothic Suffolk Latch with Long Thumb Bit		Pre-packed For Display	52	Jacksaw	193
Pre-packed For Display	43	Bulk Packed	101	Jockey Wheel (Spring Loaded Gate Wheel)	
Bulk Packed	90	Heavy Tee Hinges	77	Pre-packed For Display	32
Premium Finishes	55, 129	Heavy Vertical Pattern Hasp & Staple		Bulk Packed	123
Grade 11 Stainless Steel Ball Bearing		Pre-packed For Display	52	Joist Hanger	179
Butt Hinge	88	Bulk Packed	102	Joist Shoe	180
Grade 13 Stainless Steel Ball Bearing		Heel Clip	109	Jump Cups & Brackets	172
Butt Hinge	88	Hex Full Nuts	235		
Grafts		Hex Head Self Drilling Screw	231	K	
Standard	186, 187	Hex Head Timber Screws	225	Keeps for Brenton Padbolts	97
Insulated	195	Hexagon Head Coach Screws	226	Keeps for Suffolk/Ring Latches	92
Gravity Gate Catch for Timber Posts	120	Hexagon Head Concrete Bolts (Masonry Bolts)	230	Keep to Weld	181
Gravity Gate Catch to Concrete In	120	Hexagonal Chisel & Point Crowbar	190	Kenham Pattern Gate Latches	
Gravity Latch	66	High Performance Composite Hinges		Pre-packed For Display	45
Gripple Tensioning Gun	163	and Catches	64-66	Bulk Packed	92
		High Performance Timber Screw	221, 236	Key Blanks	
				For Euro Profile Long Throw Lock	16
				For Premium Long Throw Lock	17

Index

Keyed Alike GATEMATE® Long Throw Locks ..	15, 16
Kick-Over Stable Latches	
Pre-packed For Display	28
Bulk Packed	92
Knee Rail Strap (Birds Mouth Post Strap).....	178
Knife, Locking Utility	202
L	
L Bracket	177
Laminated Steel Padlock	19
Landscape Rake	190
Lashing Strap.....	203
Left Hand Hook on Heavy Duty Plate.....	111
Levels.....	199
Lever Lock Handles (Ornamental)	
Pre-packed For Display	62
Bulk Packed.....	136
Lift 'N' Slide Throwover Loop	121
Lift Type Catch	
Pre-packed For Display	30
Bulk Packed	117
Light Tee Hinges	
Pre-packed For Display	34
Bulk Packed	76
Linch Pins	183
Line Marking Paint	207
Line Wire	162
Linear Deck Panels.....	156
Lock Furniture	
Pre-packed For Display	21
Bulk Packed	104
Lock Through Hook.....	112
Lockable Throwover Loop.....	122
Locking Bars Bolt-On	101
Locking Bars to Swivel.....	101
Locking Catch	
Pre-packed For Display	28-30
Bulk Packed.....	116, 117
Locking Utility Knife with 10 Blades	202
Locks	
Long Throw Lock.....	14-16
Rimsashlock 2 Lever.....	20, 103
Rimdeadlock 2 Lever.....	103
Mortice Sashlock 3 Lever	103
Presslock.....	103
London Shelf Bracket	106
Loop Adaptors.....	166
Loop-over Latch	
Pre-packed For Display	32
Bulk Packed.....	121, 122
M	
Magnetic Side Pull	66
Manchester Corporation	
Catch.....	120
Latch Bar.....	120
Manger Ring on Eyebolt	
Pre-packed For Display	72
Bulk Packed	184
Manila Rope	152, 153
Masonry Anchor	233
Masonry Bolts	230
Masonry Nails.....	213
Masonry Screws	231
Maul Hammer with Fibreglass Handle	191
Measuring Wheel Metric	201
Medium Strap Hinges	
Pre-packed For Display	37

Bulk Packed	79
Medium Tee Hinges	
Pre-packed For Display	35
Bulk Packed	77
Premium Finishes.....	130
Mending Plates	
Pre-packed For Display	74
Bulk Packed	177
Metal Ball Finials.....	151
Metal Decking Panels	156
Metal Gate Fixing Kit.....	69
Metal Post Caps.....	148
Metal Star Dowels	237
Metric Studding Threaded Rod	236
Midacorn Finials	150
Midball Finials	149
Mild Steel Line Wire	162
Mini Bolt Cutters	199
Mini Post Hole Digger	
Standard	187
Insulated.....	196
Modern Decking Spindle	158
Monkey Tail Bolt with 5/8" Square Shoot	
Pre-packed For Display	51
Bulk Packed	100
Mortice Bracket	174
Mortice Gate Latch	116
Mortice Sashlock - 3 Lever.....	103
Mudguard Washers (Repair Washers).....	236
Multi Function Rope on Winder.....	73
Multi Purpose Fixing Band	178
Multi-Claw Elastic Tie Down	205
Multi-Truss Hanger.....	179
N	
NailFire® Collated Nails.....	215
NailFire® Fuel Cells.....	215
Nails.....	208-215
Narrow Pattern Kickover Stable Latch	
Pre-packed For Display	28
Bulk Packed	92
Necked Tower Bolt	
Pre-packed For Display	47
Bulk Packed	95
Netting Fasteners & Pliers.....	167
Netting Pegs	
Pre-packed For Display	74
Bulk Packed	168
New Zealand Fastener	
Pre-packed For Display	28
Bulk Packed	119
Newcastle Drainer Shovel	
Standard	188
Insulated.....	195
Newel Post.....	159
Northumberland Gate Fastener	119
Numerals (Ornamental)	
Pre-packed For Display	63
Bulk Packed	137
Nuts & Washers	234-236
Nylon Expansion Plugs	232
Nylon Frame Fixings	232
Nylon Locking Nuts & Washers (Nyloc)	234
O	
Octagonal Door Knob (Ornamental)	
Pre-packed For Display	63
Bulk Packed	137

Odd Leg Striker for Self Locking Catches.....	117
Offset Hook on Plate	111
Offset Self Closing Hinges with Legs	65
Offset Tee Hinges	
Pre-packed For Display	37
Bulk Packed	79
Open Frame Fibreglass Measure	201
Ornamental Hardware	
Pre-packed For Display	60-63
Bulk Packed	134-137
Ornamental Hinges	
Pre-packed For Display	60, 61
Bulk Packed	134, 135
Oval Door Knob Furniture	
Pre-packed For Display	21
Bulk Packed	104
Oval Padbolt	
Pre-packed For Display	47
Bulk Packed	95
P	
Padbolt	
Pre-packed For Display	48, 49
Bulk Packed	96, 97
Premium Finishes.....	56, 59, 129, 133
Padlock Protector.....	20
Padlocks	18, 19
Paints, Tapes & Adhesives.....	207
Pan Head Timber Screw	220
Panel Fixing Clips	
Pre-packed For Display	74
Bulk Packed	175
Panel Security Bracket	175
Pedestrian Gate Kit	33
Penny Washers	236
Pick Axe (Insulated).....	197
Pig Bolt (Autolock Animal Bolt).....	49, 97
Plastic Chain	170
Plastic Expansion Plugs	232
Please Shut The Gate Sign	53
Pliers	198
Pliers for Netting Fasteners	167
Pneumatic Clip Plier.....	167
Polyhemp Rope.....	153
Polypropylene Rope on Winder	73
Polythene Chain.....	170
Polythene Spiked Chain	169
Polythene Tarpaulin	205
Post Base for Wooden Finials	151
Post Concrete	141
Post Extender	146, 147
Post for Rope	155
Post Hole Digger	
Standard	187
Insulated.....	196
Post Hole Digging Crowbar	191
Post Level.....	179
Post Rammer.....	189
Post Spikes.....	152, 155
Post Supports	152-157
Post Temples	148
Posts for Decking	155
PowerPro Decking Screws	222, 223
PowerPro Timber Screws.....	216-222
Pozidrive Wood Screws	216-220
Pre-coiled Rope	152, 153
Premium Black Ironmongery	

Index

Pre-packed For Display	56-59	Ring on Plate		Insulated.....	195
Bulk Packed	130-133	Pre-packed For Display	72	Side Gate Kit	33
Premium Long Throw Lock.....	16	Bulk Packed	172	Signs.....	53
Pre-packed Nails.....	208-213	Ring Shank Nails.....	214, 215	Slam Catch (Auto Gate Catch).....	45, 93
Pressed Steel Pull Handle		Rising Hinge	26, 109	Sledge Hammer	
Pre-packed For Display	17	Rising Hinge/Set Self-Closing.....	26	Standard	191
Bulk Packed	104	Rivetting Plug.....	184	Insulated.....	197
Press-Fit Gate Security Collar	115	Rocker Plate	26, 109	Sleeper Screws (Hex Head Timber Screws)	225
Presslock.....	103	Roofing Bolts & Nuts.....	228, 229	Sleeve Anchor (Expanding Anchors).....	233
Pro Gravity Latch	66	Roofing Nails	211	Slide Bolt for Metal Gates.....	119
Pry Bar	190	Root Cutter (Post Hole Digging Crowbar) ..	190, 191	Slip Rail Brackets	
Pull Handle		Rope		Pre-packed For Display	31
For Euro Profile Long Throw Lock.....	15	Manila.....	152, 153	Bulk Packed	122
For Premium Long Throw Lock	17	Polyhemp	153	Slotted Bottom Band for 3" Gates.....	109
PVC Line Wire	162	Blue Polypropylene.....	205	Snap Off Nuts (Cone Head Security Nuts)	235
Q		Rope on Winders	73	Spade Drill for Long Throw Locks	17
Quick Repair Links		Rope Ends	154	Spade Hinges to Weld	184
Pre-packed For Display	70	Rope Eye on Plate.....	154	Spiked Chain.....	169
Bulk Packed	181	Rope Fittings.....	155	Spindle Connectors.....	157
R		Rope Hook.....	155	Spindles for Decking	157, 158
R Clips	183	Rope on Winder.....	73	Spindle for Ring Gate Latch.....	92
Rabbit Netting Pegs		Rope Post	155	Spinning Jenny Wire Dispenser with	
Pre-packed For Display	74	Round End Angle Cleats	164	Ground Spike.....	189
Bulk Packed	168	Round Head Pozidrive Wood Screw	220	Spirit Level	199, 200
Radsisseurs	165	Round Mouth Shovel.....	188	Spoon (Double Shovel Holer).....	187
Rail Brackets		Round Pattern Staple		Spring Fastener Set	
Pre-packed For Display	31	Pre-packed For Display	31	Standard	27, 28
Bulk Packed	123	Bulk Packed.....	123	Premium Finishes	58
Railing Connectors.....	157	Round Wire Nails	208-210	Spring Fastener Set Accessories.....	117
Railing Lug to Weld	182	RSJ Hanger for Metal Gates.....	112, 125	Spring for Sprung Slide Bolt	119
Rake.....	190	S		Spring Head Roofing Nails	211
Rapid Automatic Gun	167	Saddle Head Bolts	229	Spring Hooks to Crue.....	70
Rapid Set Post Concrete.....	141	Safety Hook & Eye		Spring Latch.....	117
Ratchet Straps	203, 204	Pre-packed For Display	32	Spring Latch Assembly Only for Uni-Latch Kit... 118	
Ratchet Winders	165	Bulk Packed.....	119	Spring Loaded Gate Wheel	
Receiver Latch to Weld	181	Safety Pattern Hasp & Staple		Pre-packed For Display	32
Receiver Socket	100	Pre-packed For Display	52	Bulk Packed	123
Reflectors.....	53	Bulk Packed.....	101	Spring-Loaded Animal Bolt	
Removable Hanger for Metal Gates	124	Saw (Jack Saw).....	193	Pre-packed For Display	49
Repair Links		Screw Eye	237	Bulk Packed	98
Pre-packed For Display	70	Screw-In Panel Clips.....	175	Spring-Loaded Bolt	
Bulk Packed	169	Screws	216-226, 231	Pre-packed For Display	49
Repair Spur.....	143	Security Banding	178	Bulk Packed	97, 98
Repair Washers	250	Security Chain	102	Spring-Loaded Bolt with Long Body	98
Return Springs		Security Collar	115	Spring-Loaded Bolt with Short Body	
Pre-packed For Display	45	Self Drilling Screw (Hex Head).....	231	Pre-packed For Display	49
Bulk Packed.....	93	Self Locking Animal Safety Catch		Bulk Packed	98
Reversible Hinges		Pre-packed For Display	29	Sprung Jump Cups	172
Pre-packed For Display	41	Bulk Packed.....	116	Sprung Slide Bolt for Metal Field Gates.....	119
Bulk Packed.....	86	Self-Closing High Performance Hinges.....	64	Spud to Concrete In.....	126
Premium Finishes.....	57, 131	Self-Closing/Rising Hinge Set.....	26	Square Decking Spindle.....	158
Right Hand Hook on Heavy Duty Plate	111	Shear Nuts.....	235	Square Link Chain in Plastic Sleeving.....	102
Rimdeadlock - 2 Lever.....	103	Shed Security Bar.....	20	Square Mouth Shovel	
Rimlock	14-16	Shelf Brackets	106	Standard	188
Rimsashlock - 2 Lever		Shoe Type Post Strap (Three Times Bent).....	178	Insulated.....	195
Pre-packed For Display	20	Shoot Bolt		Square Newel Post.....	159
Bulk Packed	103	Pre-packed For Display	30	Square Pattern Staple	123
Rimsashlock Door Knob		Bulk Packed.....	117	Square Plate Hanger for Metal Gates	126
Pre-packed For Display	21	Short Hinges	184	Square Plate Washers	235
Bulk Packed.....	104	Shovel Holers.....		Square Post Hanger for Metal Gates.....	124
Ring Fasteners.....	167	Standard	187	Square Post Hanger with Eye on Corner	
Ring Gate Latch		Insulated.....	195	for Metal Gates	125
Pre-packed For Display	33, 44	Shovels		Square Twisted Nails	211
Bulk Packed	91	Standard	188	Stable Latches	
Premium Finishes.....	55, 59, 61, 91, 129, 133	Insulated.....	195	Pre-packed For Display	28
Ornamental.....	61, 135	Shovels		Bulk Packed	92
Ring Gun.....	167	Standard	188	Stainless Steel Ironmongery	

Index

Pre-packed For Display	54-56	Standard	189	Universal Fencer's Pliers.....	198
Bulk Packed	128-130	Insulated.....	196	Universal Framing Anchors.....	180
Stair Connectors for Decking	157	Tape Measure	200, 201	Universal Hand Saw.....	193
Stair Tread Bracket Kit.....	181	Taper Mouth Shovel	195	Unsprung Gate Hinges (High Performance	
Stand Off Self Locking Catch.....	116	Tarpaulin	205	Composite Hinges).....	64
Staple (Fieldgate Staple)		Tee Head Bolts.....	229	Utility Knife, Locking	202
Pre-packed For Display	31, 32	Tee Hinges		V	
Bulk Packed	123	Pre-packed For Display	34-37	Vertical Hanger for Metal Gates.....	126
Staple Catch	117	Bulk Packed	76-78	Vertical Pattern Hasp & Staple	
Staple on Plate		Premium Finishes	54, 56, 128, 130	Pre-packed For Display	52
Pre-packed For Display	72	Ornamental	60, 134	Bulk Packed	102
Bulk Packed	102, 171	Tee Plates.....	176	Vine Eye	237
On Elongated Plate.....	32, 123	Temples for Posts.....	148	Visibility Reflectors.....	53
Staples (Cut Point).....	212	Tensioning Tool for Gripples.....	163	W	
Star Dowels.....	237	Tek Screw	231	Wafer Head Timber Screws.....	224, 225
Steel Gate Post	67	Threaded Rod.....	236	Wall Mount Post Support.....	145
Steel Hex Full Nuts	235	Throughbolt Masonry Anchor	233	Wall Plugs	232
Steel Hex Half Nuts.....	235	Throwover Loop (Drop-over Loops)		Warning Sign for Deterrent Spikes	152
Steel Washers.....	236	Pre-packed For Display	32	Washers.....	234-236
Stop Chamfered Decking Spindle.....	158	Bulk Packed	121, 122	Wave Metal Deck Panels	158
Straight Band & Hook on Plate		Thumb Latch (Suffolk Latch)		Weighty Scotch Tee Hinges	
Pre-packed For Display	38	Pre-packed For Display	43	Pre-packed For Display	36
Bulk Packed	80	Bulk Packed	89, 90	Bulk Packed	78
Premium Finishes	54, 128	Premium Finishes.....	55, 59, 129, 132	Premium Finishes.....	54, 128
Ornamental.....	60	Ornamental.....	61, 135	Welded Barbed Wire Brackets	163
Straight Decking Panels.....	156, 157	Timber Connectors	179	Welded Eyebolts	166
Straight Door Bolts (Ornamental)		Timber Gate Building Kit	109	Weldmesh Manual Clip Plier & Clips.....	167
Pre-packed For Display	62	Timber Hex Head Screws	225	Wheel for Gates	
Bulk Packed	136	Timber Screws.....	216-225	Pre-packed For Display	32
Straight Handle for Uni-Latch Kit.....	118	Tools.....	186-202	Bulk Packed	123
Straight Leg Striker for Self Locking Catches... 117		Top Band for Field Gates.....	107, 108, 132	Winder	164, 165
Straight Link Chain		Top Pivot Hinge for Easi Fit Gate Post System.... 68		Windsor Bow Top Metal Gate	68
Cut Lengths For Display (GATEMATE®).....	70	Torx Driver Bit.....	237	Wire.....	162
Reels.....	169	Touch Up Paint (Black).....	207	Wire Dispenser	189
Straight Spindle Connectors	157	Tower Bolt		Wire End Cutters	197
Strap Hinges		Pre-packed For Display	47	Wire Pattern Cabin Hooks	
Pre-packed For Display	37	Bulk Packed.....	95	Pre-packed For Display	46
Bulk Packed	79	Towing Pin.....	183	Bulk Packed	94
Stretcher Bar	168	Trailer Fittings		Wire Pattern Hasp & Staple	102
Stretcher Bar Lug to Weld.....	182	Pre-packed For Display	183, 184	Wire Rope Grips	
Strikers for Self Locking Catches	117	Trellis Clips.....	175	Pre-packed For Display	73
String Line.....	206	Trenching Shovel		Bulk Packed	166
Strong Butt Hinges 451		Standard	188	Wire Strainers.....	164
Pre-packed For Display	41	Insulated.....	195	Wire Tensioners.....	163
Bulk Packed	87	Tubular Post Hanger for Metal Gates.....	125	Wooden Panel Clamp.....	177
Strong Tee Hinges		Turn Buttons		Wooden Post	159
Pre-packed For Display	36	Pre-packed For Display	47	Wooden Post Cap	148
Bulk Packed	78	Bulk Packed	95	Woodscrews.....	216-222
Premium Finishes.....	56, 130	Twisted Ring Gate Latch		Wrecking Claw.....	191
Studding (All-thread).....	236	Pre-packed For Display	44	Wrecking Crowbar.....	190
Suffolk Latch with Long Thumb Bit		Bulk Packed.....	91	Z	
Pre-packed For Display	43	Two Pin Cleats	173	Zinc Alloy Gravity Latch.....	66
Bulk Packed	89, 90	Two Way Self Locking Catch.....	118	Zinc Cold Galv Aerosol	207
Premium Finishes.....	55, 59, 129, 132	Tying Wire			
Ornamental.....	61, 135	Pre-packed For Display	73		
Surface Door Bolt with 5/8" Square Shoot..... 99		Bulk Packed	162		
Swivel Harness Snap Hooks		U			
Pre-packed For Display	71	U Clip	175		
Bulk Packed	170	U Post Support	147		
Swivel Spring Hooks		U Shaped Handle for Uni-Latch Kit	118		
Pre-packed For Display	71	Ultimate Fencer's Graft.....	186		
Bulk Packed	170	Unequal Hinges (Ornamental)			
T		Pre-packed For Display	61		
Table Stretcher Plates.....	177	Bulk Packed	135		
Tailboard Hook to Bolt.....	183	Uni-Latch 2 Way Self Locking Catch	118		
Tamper		Uni-Latch Kit.....	118		

Code Index

Code	Page	Code	Page	Code	Page	Code	Page	Code	Page	Code	Page	Code	Page	Code	Page
001 1002	76	004 3006	78	007 9001	81	017 450B	86	02EB016	259	038 000B	58	049 4122	114	052 2254	126
001 1003	76	004 3006	128	007 9003	81	017 450B	131	02EB111	259	038 000B	131	049 4123	114	052 2352	125
001 1502	76	004 3501	78	007 900B	81	017 5001	86	02EB116	259	038 0011	27	049 4161	114	052 3352	125
001 1503	76	004 4001	78	007 900B	130	017 6001	86	02EC001	258	038 0021	27	049 4162	114	052 4351	124
001 2002	76	004 4501	78	008 1201	84	017 6003	86	02EC002	258	039 0001	28	049 4163	114	052 5351	124
001 2003	76	004 5001	78	008 1203	84	017 600B	86	02EC003	258	039 0011	29	049 4201	114	052 6351	124
001 2502	76	004 6001	78	008 3501	84	017 600B	131	02EC005	258	039 0031	30	049 4202	114	052 7351	124
001 2503	76	005 1502	79	008 4501	84	017 7501	86	02EC010	258	039 0041	29	049 4203	114	052 8351	124
001 3002	76	005 2002	79	008 4503	84	017 7503	86	02EC020	258	040 0001	115	049 6122	114	052 9351	124
001 3003	76	005 2502	79	008 4506	84	017 9001	86	02EC200	258	040 0166	115	049 6123	114	053 0881	107
002 2502	77	005 3001	79	008 4506	128	017 9003	86	02EL044	260	040 0196	115	049 6161	114	053 1201	108
002 2503	77	005 3002	79	008 450B	84	017 900B	86	02EL045	260	040 2751	111	049 6162	114	053 1251	107
002 3001	77	006 1201	80	008 450B	131	017 900B	131	02EL046	260	040 3221	111	049 6163	114	053 1253	107
002 3002	77	006 2001	80	008 6001	84	018 0752	87	02EL047	260	040 3251	111	049 6201	114	053 2601	108
002 3003	77	006 2501	80	008 6003	84	018 1002	87	02EL048	260	040 3253	111	049 6202	114	053 3001	107
002 3501	77	006 3001	80	008 6006	84	018 1252	87	02EL049	260	040 3261	111	049 6203	114	053 3003	107
002 3502	77	006 3003	80	008 6006	128	018 1254	87	02EL054	260	041 8191	112	049 6221	114	053 3601	108
002 3503	77	006 3501	80	008 600B	84	018 1502	87	02EL055	260	041 8193	112	049 6223	114	053 4501	107
002 3751	77	006 3503	80	008 600B	131	018 3161	86	02EL056	260	042 4191	110	049 6241	114	053 4503	107
002 3752	77	006 4001	80	008 7501	84	018 4193	86	02EL057	260	042 4193	110	049 6251	114	053 5601	108
002 3753	77	006 4003	80	008 7503	84	019 0502	87	02EL058	260	042 419B	110	049 6321	114	053 6001	107
002 4001	77	006 4501	80	008 750B	84	019 0752	87	02EL059	260	042 419B	132	049 8201	114	053 6003	107
002 4002	77	006 4503	80	008 750B	131	019 1002	87	02ET100	258	042 4221	110	049 8202	114	053 600B	107
002 4003	77	006 4506	80	008 7511	85	019 1502	87	030 3001	22	042 5101	110	049 8203	114	053 600B	132
002 4501	77	006 4506	128	008 9001	84	01EL062	255	030 4501	22	042 5191	110	049 8221	114	053 6011	108
002 4502	77	006 5001	80	008 9003	84	01EL063	255	030 4521	23	042 5193	110	049 8223	114	053 7501	107
002 4503	77	006 6001	80	008 9006	84	01EL066	255	030 6001	22	042 519B	132	049 8241	114	053 9001	107
002 450B	77	006 6003	80	008 9006	128	01EL081	256	030 6003	22	042 6161	110	049 8251	114	054 1251	108
002 450B	130	006 7501	80	008 900B	84	01EL082	256	030 600B	22	042 6191	110	049 8321	114	054 6001	108
002 6001	77	006 7503	80	008 900B	131	01EL091	257	030 600B	58	043 2501	111	050 1802	124	054 6011	108
002 6002	77	006 9001	80	009 4501	82	01EL092	257	030 6021	23	043 3001	111	050 1812	124	055 1251	108
002 6003	77	006 9003	80	009 5001	82	01EL200	254	030 6521	23	043 3003	111	050 2502	124	055 4501	108
003 1501	78	007 1051	81	009 6001	82	01EL201	254	031 3001	23	043 3501	111	050 2512	124	055 6001	108
003 1502	78	007 1201	81	010 0121	82	020 1002	87	031 4501	23	043 3503	111	050 3002	124	056 1251	109
003 1503	78	007 1203	81	010 0123	82	021 1002	88	031 6001	23	043 4001	111	050 3011	124	057 1251	109
003 2002	78	007 2501	81	010 1161	82	022 0752	88	032 3001	24	043 4501	111	050 3012	124	058 0751	109
003 2501	78	007 3001	81	010 2161	82	023 1002	87	032 3003	24	044 2251	112	050 3021	124	058 0753	109
003 2502	78	007 3003	81	010 3201	82	024 1004	87	032 4501	24	045 0191	110	051 3001	124	059 0751	109
003 3001	78	007 3501	81	010 4201	82	025 0502	88	032 4503	24	045 0251	110	052 0351	125	060 1501	121
003 3002	78	007 3503	81	011 0161	85	025 6081	85	032 6001	24	046 0124	113	052 0352	125	060 3501	121
003 3003	78	007 4001	81	011 0191	85	026 0001	82	032 6003	24	046 0164	113	052 0361	125	060 3503	121
003 3501	78	007 4003	81	012 1121	82	026 000B	82	032 600B	24	046 0194	113	052 1051	126	061 3501	122
003 3503	78	007 4501	81	012 1161	82	026 000B	131	032 600B	58	046 0224	113	052 1151	126	061 3503	122
003 4001	78	007 4503	81	013 5121	83	026 0011	82	033 3001	24	046 0254	113	052 1351	125	061 4501	122
003 4003	78	007 4506	81	013 6161	83	026 001B	82	033 4501	24	046 0324	113	052 1352	125	061 4503	122
003 4501	78	007 4506	128	015 0011	79	026 001B	131	033 6001	24	046 1194	113	052 1361	125	062 3001	122
003 4503	78	007 450B	81	015 0012	79	026 0101	85	033 6003	24	046 2194	113	052 1452	126	062 3003	122
003 450B	78	007 450B	130	015 0013	79	027 0756B	42	034 4511	26	047 0124	113	052 1552	126	063 0001	116
003 450B	130	007 5001	81	016 1002	77	027 0756B	55	034 6001	26	047 0164	113	052 1702	126	063 0003	116
003 5001	78	007 5003	81	016 3002	77	027 0756B	88	034 6011	26	047 0194	113	052 1712	126	063 0011	116
003 5003	78	007 6001	81	016 3752	77	027 1006B	42	034 6021	26	047 0224	113	052 1751	125	063 0011	118
003 6001	78	007 6003	81	016 4502	77	027 1006B	55	036 0001	27	047 0254	113	052 1802	126	063 0111	116
003 6003	78	007 6006	81	017 1051	86	027 1006B	88	036 0003	27	047 0324	113	052 1812	126	064 0001	116
003 600B	78	007 6006	128	017 3001	86	027 1016B	42	036 000B	27	047 2194	113	052 1902	126	064 0111	117
003 600B	130	007 600B	81	017 3003	86	027 1016B	55	036 000B	58	048 0404	115	052 2002	125	065 0011	117
004 1001	78	007 600B	130	017 3501	86	027 1016B	88	036 000B	132	048 0504	115	052 2012	125	065 0021	117
004 1501	78	007 7501	81	017 4001	86	027 1016P	42	037 0001	28	049 1201	114	052 2102	125	065 0031	117
004 2001	78	007 7503	81	017 4003	86	027 1016P	55	037 0011	27	049 1202	114	052 2112	125	065 0041	117
004 2501	78	007 750B	81	017 4501	86	027 1016P	88	038 0001	27	049 1203	114	052 2202	125	065 0051	117
004 3001	78	007 750B	130	017 4503	86	02EB011	259	038 000B	27	049 4121	114	052 2212	125	066 0001	117



Code Index

Code	Page	Code	Page	Code	Page	Code	Page	Code	Page	Code	Page	Code	Page	Code	Page
067 0011	117	099 2111	121	107 3751	97	123 0031	90	136 1003	94	147 2013	15	170 0034	137	205 0881	164
067 0021	117	099 2121	121	107 4501	97	123 0032	90	136 1006	94	147 201C	15	170 0035	137	206 0881	164
067 0031	117	099 2131	121	107 6001	97	123 0033	90	136 1006	129	148 0300	18	170 0036	137	206 1251	164
067 0041	117	099 2151	120	108 2301	97	123 0036	90	136 1501	94	148 0400	18	170 0037	137	206 1501	164
067 0051	117	099 2161	120	109 0122	98	123 0036	129	136 1503	94	148 0410	18	170 0038	137	207 0501	165
068 0001	118	099 2171	123	110 0122	97	124 0062	92	136 2001	94	148 0500	18	170 0039	137	208 0001	165
069 0751	116	099 2181	121	110 0162	97	124 1001	91	136 2003	94	148 0510	18	174 3003	134	209 0011	165
070 0001	119	100 0751	95	110 0952	97	124 1251	91	136 200B	94	148 0600	18	174 3503	134	209 0021	165
071 1002	119	100 0752	95	110 3122	98	124 1252	91	136 200B	133	148 0700	18	174 4003	134	210 3001	168
071 3001	119	100 0753	95	110 3952	98	124 1253	91	136 2501	94	148 2400	18	174 4503	134	210 3011	168
071 4202	119	100 1001	95	110 4501	98	124 125B	91	136 2503	94	148 2500	18	175 0453	104	211 0062	164
072 0001	122	100 1002	95	111 2002	100	124 125B	133	137 0752	101	148 4400	18	175 0503	137	211 0082	164
073 0001	120	100 1003	95	113 3001	100	124 1501	91	137 1132	101	148 4500	18	175 0603	104	211 0102	164
074 0001	120	100 1501	95	113 3003	100	124 1502	91	137 1133	101	149 0000	17	180 0652	106	211 0122	164
074 0003	120	100 1502	95	113 4501	100	124 1503	91	137 1502	101	149 0006	17	180 0657	106	212 0092	166
075 0701	120	100 1503	95	113 4503	100	124 1506	91	137 1503	101	149 000C	16	180 0752	106	212 1756	163
075 2501	120	100 2001	95	113 6001	100	124 1506	129	138 1801	101	149 0013	103	180 0757	106	212 5092	166
077 0751	123	100 2002	95	114 3001	100	124 150B	91	138 1803	101	149 001C	15	181 0652	106	213 0092	166
077 1001	123	100 2003	95	114 3003	100	124 150B	133	139 1001	20	149 0020	103	182 1008	106	213 2101	163
077 1501	123	100 2501	95	114 4501	100	124 1751	91	139 1801	20	149 0030	103	182 1009	106	213 3601	163
078 0651	122	100 2503	95	114 4503	100	124 1753	91	140 00360	203	149 003C	15	182 1258	106	213 4601	163
078 0751	123	101 1501	95	114 6001	100	125 0751	135	140 10420	204	149 0040	103	182 1259	106	214 0304	182
078 0801	122	101 1503	95	114 6003	100	125 0753	135	140 1501	102	149 0050	104	182 1508	106	214 0524	182
079 1001	123	102 1001	95	115 4501	99	125 1501	91	140 1503	102	149 0070	105	182 1509	106	214 0734	182
079 1201	123	102 1002	95	115 4503	99	125 1503	91	140 30360	203	149 0086	14	182 2008	106	215 1201	168
080 1501	123	102 1003	95	116 3001	99	125 2001	135	140 40480	204	149 0096	14	182 2009	106	215 1401	168
081 2802	123	103 1001	96	116 3003	99	125 2003	135	140 50450	204	149 0106	14	182 2258	106	215 1501	168
081 3681	123	103 1002	96	116 4501	99	125 200B	135	140 60400	203	149 0116	14	182 2259	106	215 1801	168
081 3683	123	103 1003	96	116 4503	99	125 2501	135	140 71000	203	149 0126	15	182 2508	106	215 2401	168
082 1201	105	103 1501	96	116 450B	99	125 2503	135	141 00600	204	149 0136	15	182 2509	106	215 2751	168
082 1701	100	103 1502	96	116 450B	133	127 0012	92	141 00750	204	149 0146	15	182 3008	106	215 9001	168
082 2001	105	103 1503	96	116 6001	99	127 0013	92	141 00900	204	149 0156	15	182 3009	106	215 9021	168
083 0501	123	103 1506	96	116 6003	99	127 0022	92	141 1002	102	149 0186	16	182 3508	106	216 1201	168
084 3501	112	103 1506	129	116 600B	99	127 0033	92	141 1003	102	149 0196	16	182 3509	106	216 1801	168
085 2251	112	103 150B	96	116 600B	133	129 0752	92	141 10600	205	149 0300	103	183 1001	106	216 2401	168
086 0701	82	103 150B	133	117 4501	99	131 2401	92	141 20800	205	149 1106	16	183 1251	106	217 0015	167
086 1001	82	103 2001	96	117 4506	99	131 2451	92	142 2001	101	149 1116	16	183 1501	106	217 0022	167
087 0881	107	103 2002	96	117 4506	130	132 2002	93	142 2003	101	149 1126	16	183 2001	106	217 0035	167
087 4501	107	103 2003	96	117 6001	99	132 2003	93	142 2501	101	149 1136	16	183 2501	106	217 0040	167
087 6001	107	103 200B	96	118 6001	136	132 2502	93	142 2503	101	149 1146	16	183 3001	106	217 0050	167
088 0191	111	103 200B	133	118 6003	136	132 2503	93	143 11070	205	149 1156	16	201 0951	166	217 0060	167
088 1191	111	103 2501	96	119 1161	100	133 0502	95	143 14090	205	150 1503	134	201 0952	166	218 0000	167
088 3191	111	104 1501	96	120 0011	93	133 0503	95	143 2001	101	150 2253	134	201 5062	166	218 0012	167
089 2201	105	104 1502	96	120 0012	93	133 0652	95	143 3001	101	150 3003	134	201 5082	166	218 1011	167
092 0001	118	104 1511	97	120 0013	93	134 3003	105	143 36270	205	151 3003	134	201 5092	166	218 1026	167
092 0011	118	104 2001	96	120 0021	93	134 7503	105	143 54350	205	152 7053	134	202 0082	166	218 1111	167
092 0021	118	104 2002	96	120 0023	93	134 7513	105	143 70540	205	153 1003	135	202 0092	166	218 2000	167
092 0031	119	104 2006	96	120 1011	93	135 1001	94	144 1851	20	154 4003	134	202 0321	164	219 0011	162
092 0031S	119	104 2006	129	120 1012	93	135 1003	94	144 1861	20	155 1503	136	202 0401	164	219 0021	162
092 0041	118	104 2011	97	120 1013	93	135 1501	94	145 0012	102	156 1753	136	202 0501	164	219 0031	162
092 0051	118	104 201B	97	122 3753	98	135 1503	94	145 0031	102	156 1753	137	202 0521	164	219 0049	162
092 0061	118	104 201B	133	122 6003	98	135 2001	94	145 0042	102	157 1503	136	202 0541	164	219 0059	162
093 0001	118	104 2501	96	122 6013	98	135 2003	94	145 0051	102	158 2503	137	202 0751	164	219 0061	162
094 0001	118	104 3001	96	123 0012	89	135 2501	94	146 1501	104	159 1503	136	202 1501	164	219 0081	162
095 0001	112	105 0121	97	123 0013	89	135 2503	94	146 1503	104	162 0193	137	202 1571	164	219 0091	162
099 2014	181	105 0161	97	123 0021	89	135 3001	94	147 1752	104	164 1503	135	202 5092	166	219 0111	162
099 2034	181	106 0121	97	123 0022	89	135 3003	94	147 1753	104	170 0030	137	203 0092	166	220 0011	162
099 2044	181	106 0161	97	123 0023	89	135 6001	94	147 2003	17	170 0031	137	203 1501	173	220 0029	162
099 2054	181	106 0162	97	123 002B	89	135 6003	94	147 2005	17	170 0032	137	203 1511	173	220 0039	162
099 2101	121	107 3001	97	123 002B	132	136 1001	94	147 200C	17	170 0033	137	203 3001	173	220 0041	162

Code Index

Code	Page	Code	Page	Code	Page	Code	Page	Code	Page	Code	Page	Code	Page	Code	Page
220 0049	162	231 0658	176	253 0072	169	265 1003	147	310 0632	183	353 024C	155	374 00252	217	375 01008	218
221 0000	163	231 0758	176	253 0082	169	266 4507	147	310 1002	183	353 0285	155	374 00253	218	376 00401	218
221 0011	163	231 1008	176	253 0102	169	267 0751	146	314 0124	184	353 028C	155	374 00258	217	376 00402	217
221 0021	163	231 1508	176	253 0122	169	267 0753	146	320 0240	153	355 0005	155	374 00301	218	376 00403	218
221 0041	163	232 1507	179	253 0352	169	267 1001	146	320 0280	153	355 000C	155	374 00302	217	376 00408	218
221 5091	166	233 3751	163	255 0017	179	267 1003	146	320 0320	153	359 0245	155	374 00303	218	376 00501	219
222 0091	166	233 4501	163	255 0027	179	267 2007	147	321 0240	153	359 024C	155	374 00308	217	376 00502	217
222 5091	166	234 0107	178	255 0037	179	268 0751	145	323 0240	153	364 00258	219	374 00401	218	376 00503	218
223 0091	166	235 0061	169	255 0254	182	268 0753	145	323 0280	153	364 00301	219	374 00402	217	376 00508	218
223 3060	205	235 0658	176	255 0324	182	269 0751	145	323 0320	153	364 00302	219	374 00403	218	376 00601	219
223 3080	205	235 0758	176	255 0387	179	269 0753	145	323 0400	153	364 00308	219	374 00408	217	376 00602	217
223 3100	205	235 1008	176	255 0404	182	269 1001	145	326 0240	153	364 00401	219	374 00452	217	376 00603	218
223 3120	205	235 1258	176	255 0447	179	269 1003	145	326 0280	153	364 00402	219	374 00458	217	376 00608	218
224 0062	166	235 1508	176	255 0477	179	271 0751	146	328 0240	153	364 00408	219	374 00501	218	376 00801	219
224 0082	166	236 0061	169	255 0504	182	271 0753	146	328 0280	153	364 00501	219	374 00502	217	376 00802	217
224 0102	166	236 0758	176	255 0701	182	271 1001	146	329 0240	153	364 00502	219	374 00508	217	376 00803	218
224 0122	166	236 1008	176	255 1007	179	271 1003	146	329 0280	153	364 00508	219	374 00601	218	376 00808	218
225 0062	170	237 0758	177	255 1447	179	273 0001	146	329 0320	153	364 00601	219	374 00602	217	376 00901	219
225 0082	170	237 1008	177	255 1477	179	279 1000	141	334 00201	220	364 00602	219	374 00608	217	376 00902	217
225 0102	170	237 1258	177	255 2477	179	279 2000	141	334 00208	220	364 00608	219	374 00701	218	376 00908	218
225 0122	170	237 1508	177	255 2757	179	283 0207	176	334 00251	220	364 00701	219	374 00702	217	376 01001	219
225 0162	170	238 0388	177	256 0001	172	283 0307	176	334 00253	220	364 00702	219	374 00708	217	376 01002	217
226 0327	174	239 0060	169	256 0031	172	285 0471	179	334 00258	220	364 00708	219	374 50252	217	376 01008	218
226 0707	174	240 0060	170	256 1521	172	285 1257	180	334 00301	220	365 00501	219	374 50258	217	376 01208	218
226 0757	174	241 0031	169	260 0501	142	285 1471	179	334 00303	220	365 00502	219	374 50302	217	376 01308	218
226 0759	174	241 0041	169	260 0503	142	285 2007	180	334 00308	220	365 00508	219	374 50308	217	376 01508	218
227 0757	174	241 0051	169	260 0701	142	286 1507	180	334 00401	220	365 00601	219	374 50402	217	380 1150	160
228 0757	174	241 0061	169	260 0703	142	286 2007	180	334 00401	247	365 00602	219	374 50408	218	380 1159	160
229 0037	178	241 0081	169	260 0751	142	286 2017	180	334 00403	220	365 00608	219	374 50502	217	380 6250	160
229 0047	178	241 0101	169	260 0753	142	289 0407	180	334 00408	220	365 00701	219	374 50503	218	394 00253	216
229 0507	178	241 0251	169	260 0901	142	289 0507	180	334 0040A	247	365 00702	219	374 50508	218	394 00258	216
229 0757	178	241 0301	169	260 0903	142	289 0607	180	334 0040B	247	365 00708	219	374 50702	217	394 00301	216
229 1007	178	241 0401	169	260 1001	142	289 0617	180	334 0040G	247	365 00801	219	374 50703	218	394 00303	216
229 1017	178	241 0511	169	260 1003	142	289 0627	180	334 00501	220	365 00802	219	374 50708	218	394 00308	216
229 1117	178	241 0601	169	260 1751	142	289 0807	180	334 00503	220	365 00808	219	375 00301	218	394 00401	216
229 1257	178	241 0611	169	260 1753	142	289 0907	180	334 00508	220	365 00902	219	375 00302	217	394 00403	216
229 1507	178	241 0651	169	261 0751	143	289 1507	180	334 10401	247	365 00908	219	375 00303	218	394 00408	216
229 2227	178	241 0701	169	261 0753	143	289 1517	180	334 1040A	247	365 01001	219	375 00308	218	395 00303	216
230 0287	177	243 0101	171	261 1001	143	291 2007	181	334 1040B	247	365 01002	219	375 00401	218	395 00308	216
230 0302	177	244 0501	171	261 1003	143	292 0951	181	334 1040G	247	365 01008	219	375 00402	217	395 00401	216
230 0327	175	245 0501	171	262 0501	144	295 0377	180	335 00251	220	366 01008	219	375 00403	218	395 00403	216
230 0329	175	246 0501	172	262 0503	144	296 0751	147	335 00253	220	370 980G	155	375 00408	218	395 00408	216
230 0357	175	246 1501	172	262 0701	144	296 1001	147	335 00301	220	371 980G	155	375 00501	218	395 00501	216
230 0401	175	247 0001	172	262 0703	144	297 0751	147	335 00303	220	373 00128	217	375 00502	217	395 00503	216
230 0457	175	247 0752	172	262 0751	144	297 1001	147	335 00308	220	373 00168	217	375 00503	218	395 00508	216
230 0477	175	249 1012	170	262 0753	144	298 0802	146	335 00401	220	373 00208	217	375 00508	218	395 00808	216
230 0479	175	249 1412	170	262 0901	144	298 1102	146	335 00403	220	373 00258	217	375 00601	218	396 00401	216
230 0507	175	249 5052	170	262 0903	144	301 0084	183	335 00408	220	373 00308	217	375 00602	217	396 00403	216
230 0517	174	249 6062	170	262 1001	144	302 0124	183	335 00501	220	373 50168	217	375 00608	218	396 00408	216
230 0527	175	249 7072	170	262 1003	144	302 1124	183	335 00503	220	373 50251	218	375 00701	218	396 00501	216
230 0529	175	249 8082	170	262 1501	144	302 1164	183	335 00508	220	373 50252	217	375 00702	217	396 00503	216
230 1007	175	250 0760	170	262 1503	144	303 0124	184	336 00401	220	373 50253	218	375 00703	218	396 00508	216
230 1507	173	251 0502	170	263 0753	145	303 1124	184	336 00403	220	373 50258	217	375 00708	218	396 00801	216
230 1607	175	251 0632	170	263 1001	145	304 0252	184	336 00501	220	373 50302	217	375 00801	218	396 00803	216
230 2257	173	251 0752	170	263 1003	145	304 0752	184	336 00503	220	373 50308	217	375 00802	217	396 00808	216
230 3507	173	251 0882	170	264 0751	144	305 0122	184	351 0245	154	373 50402	217	375 00808	218	396 00901	216
230 4507	173	251 1002	170	264 0753	144	307 0464	184	351 024C	154	373 50408	217	375 00902	217	400 0301	211
231 0258	176	253 0042	169	264 1001	144	308 0062	183	351 0285	154	373 50502	217	375 00908	218	401 0011	210
231 0388	176	253 0052	169	264 1003	144	308 0082	183	351 028C	154	373 50508	217	375 01001	218	401 0021	210
231 0508	176	253 0062	169	265 0753	147	309 0252	183	353 0245	155	374 00251	218	375 01002	217	401 0041	210



Code Index

Code	Page	Code	Page	Code	Page	Code	Page	Code	Page	Code	Page	Code	Page	Code	Page
401 0044	210	416 0202	235	430 0100	232	453 0162	235	501 1002	34	505 2501	36	508 6003	40	512 150B	59
401 0051	210	417 0202	235	430 0120	232	454 0062	234	501 1003	34	505 3001	36	508 6006	40	512 1511	49
401 0054	210	418 0062	234	431 0000	151	454 0082	234	501 1502	34	505 3006	36	508 6006	54	512 1512	49
401 0061	210	418 0082	234	431 1100	232	454 0101	234	501 1503	34	505 3006	54	508 600B	40	512 2001	48
401 0071	210	418 0102	234	431 1110	232	454 0102	234	501 2002	34	505 3501	36	508 600B	57	512 2002	48
401 0074	210	418 0122	234	431 1130	232	454 0121	234	501 2003	34	505 4001	36	508 7501	40	512 2003	48
401 0081	210	419 0111	237	431 1160	232	454 0122	234	501 2502	34	505 4501	36	508 7503	40	512 200B	48
401 0084	210	420 0081	235	431 1800	232	454 0162	234	501 2503	34	506 2501	38	508 750B	40	512 200B	59
401 0101	210	420 0101	235	431 2100	232	454 0202	234	501 3002	34	506 3001	38	508 750B	57	512 2501	48
401 0111	210	420 0121	235	431 2110	232	454 50500	222	501 3003	34	506 3003	38	508 9001	40	513 1501	48
401 0131	210	422 0101	235	431 2130	232	454 50600	222	502 2502	35	506 3501	38	508 9003	40	513 1511	48
401 0134	210	422 0102	235	431 2160	232	454 50750	222	502 2503	35	506 3503	38	508 9006	40	513 2001	48
401 0161	210	422 0121	235	431 2800	232	461 0382	231	502 3001	35	506 4001	38	508 9006	54	513 2006	48
401 0171	210	422 0122	235	431 5010	223	461 0502	231	502 3002	35	506 4003	38	508 900B	40	513 2006	56
401 0174	210	422 0161	235	431 5110	223	461 10382	231	502 3003	35	506 4501	38	508 900B	57	513 2011	48
401 0181	210	422 0162	235	431 6010	223	461 10502	231	502 3501	35	506 4503	38	509 3001	41	513 2501	48
402 0011	210	423 0022	236	431 6110	223	461 11252	231	502 3502	35	506 4506	38	509 3003	41	513 3001	48
402 0021	210	423 0032	236	431 7510	223	461 11322	231	502 3503	35	506 4506	54	509 3501	41	514 1001	47
402 0031	210	423 0042	236	431 7610	223	461 11382	231	502 3751	35	506 5001	38	509 4001	41	514 1002	47
402 0041	210	423 0052	236	432 0506	223	461 11502	231	502 3752	35	506 6001	38	509 4003	41	514 1003	47
402 0051	210	423 0062	236	432 0606	223	461 1252	231	502 3753	35	506 6003	38	509 4501	41	515 2301	49
402 0061	210	423 0072	236	432 0706	223	461 1322	231	502 4001	35	506 7501	38	509 4503	41	516 0122	49
403 0021	211	423 0082	236	432 4510	223	461 1382	231	502 4002	35	506 9001	38	509 450B	41	516 1122	49
403 0034	211	423 0092	236	432 6010	223	461 1502	231	502 4003	35	506 9003	38	509 450B	57	516 1162	49
403 0041	211	423 0102	236	432 7510	223	464 00302	222	502 4501	35	507 2501	39	509 5001	41	516 1952	49
403 0044	211	423 0112	236	434 50500	222	464 00402	222	502 4502	35	507 3001	39	509 5003	41	516 3122	49
403 0071	211	423 0122	236	434 50600	222	465 00602	222	502 4503	35	507 3003	39	509 6001	41	516 3952	49
403 0081	211	423 0132	236	434 50750	222	465 00702	222	502 4511	35	507 3501	39	509 6003	41	517 2002	51
404 1002	213	423 0142	236	436 1102	232	465 00802	222	502 4513	35	507 3503	39	509 600B	41	517 4501	50
405 0201	212	423 0152	236	436 1302	232	465 01002	222	502 6001	35	507 4001	39	509 600B	57	517 4506	50
405 0251	212	423 0162	236	437 0828	231	471 1161	247	502 6002	35	507 4003	39	509 7501	41	517 4506	56
405 0301	212	423 0171	236	437 1028	231	471 1551	247	502 6003	35	507 4501	39	509 7503	41	518 6001	62
405 0401	212	423 0181	236	437 1228	231	473 50162	221	503 1501	36	507 4503	39	509 9001	41	518 6003	62
405 0501	212	423 0191	236	437 1528	231	473 50252	221	503 1502	36	507 4506	39	509 9003	41	519 3001	51
405 1401	212	423 0201	236	440 0702	225	473 50302	221	503 2001	36	507 4506	54	509 900B	41	519 3003	51
406 0330	237	423 0211	236	440 0902	225	473 50402	221	503 2002	36	507 450B	39	509 900B	57	519 4501	51
406 0380	237	424 0062	236	440 1002	225	473 50502	221	503 2501	36	507 450B	57	510 0751	47	519 4503	51
406 0440	237	424 0082	236	440 10702	225	474 00252	221	503 2502	36	507 5001	39	510 0753	47	520 3001	50
406 0500	237	424 0101	236	440 10902	225	474 00302	221	503 3001	36	507 6001	39	510 1001	47	520 3003	50
406 0600	237	424 0102	236	440 11002	225	474 00402	221	503 3003	36	507 6003	39	510 1002	47	520 4501	50
407 0010	237	424 0121	236	441 0701	225	474 00452	221	503 3501	36	507 6006	39	510 1003	47	520 4503	50
407 0060	237	424 0122	236	441 0901	225	474 00502	221	503 3503	36	507 6006	54	510 1501	47	520 450B	50
407 0080	237	424 0161	236	441 1001	225	474 00602	221	503 4001	36	507 600B	39	510 1502	47	520 450B	59
409 0042	237	424 0162	236	441 10701	225	474 00702	221	503 4003	36	507 600B	57	510 1503	47	520 6001	50
409 0111	237	424 0201	236	441 11001	225	475 00302	221	503 4501	36	507 7501	39	510 2001	47	520 6003	50
409 1002	237	424 0202	236	441 11501	225	475 00402	221	503 4503	36	507 7503	39	510 2002	47	521 0011	45
410 0651	211	426 0010	207	441 12001	225	475 00502	221	503 450B	36	507 750B	39	510 2003	47	521 0012	45
414 8401	229	426 0030	207	441 12501	225	475 00602	221	503 450B	56	507 750B	57	510 2501	47	521 0013	45
415 8251	229	426 0040	207	441 1401	225	475 00702	221	503 5001	36	507 9001	39	510 2503	47	521 0021	45
415 8261	229	426 0902	232	441 1501	225	475 00802	221	503 6001	36	507 9003	39	511 1501	47	521 0023	45
416 0062	235	426 1102	232	441 2001	225	475 00902	221	503 6003	36	507 900B	39	511 1503	47	522 2002	37
416 0081	235	426 1302	232	441 2501	225	475 01002	221	503 600B	36	507 900B	57	512 1001	48	522 2502	37
416 0082	235	426 1502	232	444 50500	222	476 00402	221	503 600B	56	508 3501	40	512 1002	48	522 3002	37
416 0101	235	426 1802	232	444 50600	222	476 00502	221	504 0502	41	508 4501	40	512 1003	48	523 0012	43
416 0102	235	427 0828	231	444 50750	222	476 00602	221	504 0752	41	508 4503	40	512 1501	48	523 0013	43
416 0121	235	427 1028	231	452 0082	234	476 00802	221	504 1002	41	508 4506	40	512 1502	48	523 0021	43
416 0122	235	427 1228	231	452 0102	234	476 01002	221	504 1502	41	508 4506	54	512 1503	48	523 0022	43
416 0161	235	427 1528	231	452 0122	234	476 01202	221	505 1001	36	508 450B	40	512 1506	48	523 0023	43
416 0162	235	429 0060	232	453 0102	235	476 01302	221	505 1501	36	508 450B	57	512 1506	56	523 002B	43
416 0201	235	429 0070	232	453 0122	235	476 01502	221	505 2001	36	508 6001	40	512 150B	48	523 002B	59

Code Index

Code	Page	Code	Page	Code	Page	Code	Page	Code	Page	Code	Page	Code	Page	Code	Page
523 0031	43	535 2001	52	570 0032	63	593 0032	73	606 0020	190	612 0020	189	626 0031	209	713 2500	19
523 0032	43	535 2003	52	570 0033	63	593 0052	73	606 0030	190	612 0021	210	626 0041	209	713 4400	19
523 0033	43	535 2501	52	570 0034	63	593 0062	73	606 0040	191	612 0031	210	626 0051	209	713 4500	19
523 0036	43	535 2503	52	570 0035	63	593 0082	73	606 0050	190	612 0051	210	626 0081	209	715 5003	152
523 0036	55	537 0758	74	570 0036	63	593 0102	73	606 0060	196	612 0061	210	626 0111	209	715 5008	152
524 1501	44	537 1008	74	570 0037	63	593 0122	73	606 0070	195	613 0021	211	626 0131	209	719 1100	152
524 1503	44	537 1258	74	570 0038	63	594 0062	71	606 0080	195	613 0041	211	626 0171	209	720 050G	149
525 1001	44	537 1501	17	570 0039	63	594 0082	71	606 0090	188	613 0071	211	626 0511	209	720 0750	149
525 1251	44	537 1503	17	571 1002	28	594 0102	71	606 0100	195	613 0081	211	626 0811	209	720 0751	151
525 1252	44	538 1801	52	571 4202	28	594 0122	71	606 0110	195	614 0010	193	626 1111	209	720 0753	151
525 1253	44	538 1803	52	574 3003	60	594 0162	71	606 0120	195	614 0040	193	626 1131	209	720 075B	149
525 125B	44	540 0010	20	574 3503	60	595 0001	33	606 0130	190	614 0301	211	628 0301	212	720 075G	149
525 125B	59	540 0020	21	574 4003	60	595 0002	33	606 0140	191	615 0020	188	628 0401	212	720 1000	149
525 1501	44	541 1001	46	574 4503	60	595 0003	33	606 0150	190	615 0030	188	629 0301	212	720 1001	151
525 1502	44	541 1003	46	575 0453	21	596 0001	33	606 0160	190	615 0040	188	629 0401	212	720 1003	151
525 1503	44	541 1006	46	575 0503	63	596 0002	33	606 0170	190	615 0050	188	631 0502	215	720 100B	149
525 1506	44	541 1006	56	575 0603	21	596 0003	33	606 0180	197	615 0060	188	631 0652	215	720 100G	149
525 1506	55	541 1501	46	576 4501	51	596 0111	33	606 0190	197	615 0070	190	631 0762	215	720 150G	149
525 150B	44	541 1503	46	577 1001	31	596 0113	33	606 0200	197	615 0201	212	631 0902	215	722 0750	150
525 150B	59	541 2001	46	578 0031	70	597 0001	33	606 0210	197	615 0251	212	632 0000	215	722 075B	150
525 1751	44	541 2003	46	578 0041	70	597 0002	33	606 0220	196	615 0301	212	632 0501	215	722 075G	150
525 1753	44	541 200B	46	578 0051	70	597 0003	33	606 0230	195	615 0401	212	632 0502	215	722 1000	150
526 2002	45	541 200B	59	578 0061	70	597 0111	33	606 0240	195	615 0501	212	632 0651	215	722 100B	150
526 2003	45	541 2501	46	578 0751	32	597 0113	33	606 0250	196	616 0500	206	632 0652	215	722 100G	150
526 2502	45	541 2503	46	578 0801	31	598 0001	39	606 0260	195	617 0030	200	632 0761	215	725 100G	149
526 2503	45	542 0011	73	579 1001	31	598 000B	39	606 0270	190	617 0150	200	632 0762	215	726 100G	150
527 0502	47	542 0029	73	579 1480	73	598 000B	57	606 1180	196	617 0500	201	632 0901	215	727 050G	151
527 0503	47	544 0005	53	579 2160	73	598 0011	39	607 0050	206	617 9990	201	632 0902	215	727 0750	151
527 3001	49	544 000C	53	581 2802	32	598 001B	39	607 0070	206	618 0010	197	637 0000	202	727 075B	151
527 3751	49	544 0015	53	582 0501	72	598 001B	57	607 0080	206	618 0020	197	637 0020	201	727 075G	151
527 4501	49	544 001C	53	583 0501	72	598 0101	40	608 0010	187	618 0040	198	650 0000	207	727 100B	151
527 6001	49	545 1002	41	583 0511	31	599 0003	69	608 0020	187	618 0060	199	650 4000	207	727 100G	151
528 1501	32	546 1501	71	584 0001	72	601 0010	188	608 0030	187	618 0070	198	650 5000	207	727 125B	151
529 0001	31	547 1752	17	584 0501	72	601 0011	45	608 0040	187	618 0080	198	650 7000R	207	727 150G	151
530 2401	28	547 1753	17	585 0752	72	601 0012	45	608 0050	187	621 0011	209	650 7000W	207	728 0750	148
530 2451	28	550 1503	60	586 0502	70	601 0013	45	608 0060	187	621 0021	209	650 7000Y	207	728 0751	148
531 0258	74	550 2253	60	586 0752	70	601 0021	208	608 0070	187	621 0041	209	660 0003	189	728 0753	148
531 0388	74	550 3003	60	586 0882	70	601 0041	208	608 0080	187	621 0051	209	682 0000	214	728 075B	148
531 0508	74	551 3003	60	586 1002	70	601 0051	208	608 0090	186	621 0081	209	682 0501	214	728 075G	148
531 0658	74	552 7053	60	587 1002	71	601 0081	208	609 0010	192	621 0101	209	682 0502	214	729 1000	148
531 0758	74	553 1003	61	587 1212	71	601 0101	208	609 0050	191	621 0161	209	682 0651	214	729 1001	148
531 1008	74	555 1503	62	587 5052	71	601 0111	208	609 0060	191	621 0171	209	682 0652	214	729 1003	148
531 1508	74	556 1753	62	587 6062	71	601 0171	208	609 0140	191	621 0191	209	682 0761	214	729 100B	148
532 1001	46	557 1503	62	587 7072	71	601 0191	208	609 0150	191	623 0041	211	682 0762	214	729 100G	148
532 1003	46	559 1503	61	587 8082	71	602 0010	198	609 0210	192	623 0071	211	682 0901	214	730 100B	148
532 1501	46	560 1753	62	588 0760	71	602 0011	37	610 0010	200	623 0081	211	682 0902	214	730 100G	148
532 1503	46	560 3501	32	589 0502	71	602 0013	37	610 0120	199	624 0301	211	702 1202	102	731 0750	148
532 2001	46	561 2001	61	589 0752	71	602 0032	50	610 0400	199	625 0201	212	705 0003	109	731 075G	148
532 2003	46	561 2003	61	589 1002	71	602 0042	50	610 1240	199	625 0251	212	708 0600	19	731 1000	148
532 2501	46	561 2501	61	590 0062	73	603 0010	190	611 0011	209	625 0301	212	708 0800	19	731 100G	148
532 3001	46	561 2503	61	590 0082	73	603 0020	190	611 0021	209	625 0401	212	708 0900	19	739 0751	244
532 3003	46	563 0001	28	590 0102	73	604 0010	206	611 0041	209	625 0501	212	708 2700	19	739 075A	244
532 6001	46	563 4503	60	590 0122	73	604 2610	206	611 0051	209	625 1201	212	708 2800	19	739 075B	244
533 0752	52	564 0001	29	591 0032	70	604 4210	206	611 0081	209	625 1251	212	713 0300	19	739 075G	244
533 1002	52	564 1503	61	591 0042	70	605 0201	212	611 0101	209	625 1301	212	713 0400	19	750 0000	177
533 1003	52	566 0001	30	591 0052	70	605 0251	212	611 0161	209	625 1401	212	713 0410	19	755 000G	158
533 1502	52	566 0752	45	591 0062	70	605 0301	212	611 0171	209	625 1501	212	713 0500	19	755 001G	158
533 1503	52	568 0001	30	591 0072	70	605 0401	212	611 0191	209	625 2301	212	713 0510	19	756 000G	158
534 1501	52	570 0030	63	591 0082	70	606 0000	189	612 0010	189	625 2401	212	713 0600	19	756 002G	158
534 1503	52	570 0031	63	591 0102	70	606 0010	190	612 0011	210	626 0011	209	713 2400	19	756 003G	158

Code Index

Code	Page	Code	Page	Code	Page	Code	Page	Code	Page	Code	Page	Code	Page	Code	Page
756 004G	158	806 821G	243	814 100G	248	857 0245	154	910 80752	230	C10 0902	227	H08 0752	226	R108 0402	228
757 000G	159	806 921A	243	814 101A	249	857 024C	154	910 81002	230	C10 1001	228	H08 0802	226	R108 0802	228
758 000G	159	806 921B	243	814 101B	249	857 0285	154	910 81502	230	C10 1002	227	H08 0902	226	R108 1002	228
758 001G	159	806 921G	243	814 101G	249	857 028C	154	911 00752	230	C10 1202	227	H08 1002	226	R108 1602	228
758 002G	159	807 0001	246	814 120A	249	858 0245	154	911 01002	230	C10 1302	227	H08 1202	226	R108 1802	228
758 003G	159	807 0501	243	814 120B	249	858 024C	154	911 01502	230	C10 1402	227	H08 1502	226	R110 0502	228
771 0700	19	807 050A	243	814 120G	249	859 110R	53	911 21002	230	C10 1502	227	H10 0402	226	R110 0802	228
771 2700	19	807 050B	243	814 2000	249	859 110W	53	950 60706	224	C10 1602	227	H10 0502	226	R110 1602	228
800 2443	67	807 050G	243	815 183A	251	860 0240	152	950 60806	224	C10 1802	227	H10 0602	226	SPO 0032	160
800 2443	127	807 1501	243	815 183B	251	860 0280	152	950 60906	224	C10 2002	227	H10 0652	226	SPO 0280	17
801 0003	69	807 150A	243	815 183G	251	861 0240	152	950 61006	224	C10 2202	227	H10 0702	226	T100652	233
801 0193	68	807 150B	243	819 0000	157	861 0280	152	950 61206	224	C10 2402	227	H10 0752	226	T101002	233
801 0193	127	807 150G	243	820 0010	157	862 0240	152	950 61406	224	C10 2602	228	H10 0802	226	T101202	233
801 4003	68	807 1801	244	820 0020	157	862 0280	152	950 61606	224	C10 3002	228	H10 0902	226	T120802	233
801 4003	127	807 180A	244	820 0030	157	863 0240	153	950 81006	224	C106 0502	227	H10 1002	226	T121002	233
801 4013	68	807 180B	244	820 0040	157	863 0280	153	950 81406	224	C106 0752	227	H10 1202	226	T121202	233
801 4013	127	807 180G	244	820 0070	157	864 0240	153	950 81806	224	C108 0502	227	H10 1302	226	T161252	233
801 4023	68	807 2401	244	820 0080	157	864 0280	153	950 82206	224	C108 1002	227	H10 1502	226	T20	237
801 4023	127	807 240A	244	821 075G	149	865 0240	153	950 82506	224	C108 1502	227	H10 1602	226	T201302	233
801 4033	68	807 240B	244	821 100G	149	865 0280	153	950 83006	224	C108 1802	227	H10 1802	226	T25	237
801 4033	127	807 240G	244	821 1063	245	891 1F13	64	951 60706	224	C110 0502	227	H10 2002	226	T30	237
802 1003	68	807 3001	244	822 0063	245	891 1F23	64	951 60806	224	C110 0752	227	H108 0502	226	T40	237
802 9003	68	807 300A	244	822 183A	245	892 1F43	64	951 60906	224	C110 1002	227	H108 0752	226	T80652	233
803 1003	68	807 300B	244	822 183B	245	893 1F23	64	951 61006	224	C110 1202	227	H108 1002	226	R10 0702	229
803 9003	68	807 300G	244	822 183G	245	894 0V23	64	951 61206	224	C110 1302	227	H110 0752	226	R10 0802	229
806 0011	143	807 3501	243	822 240A	245	894 1A73	65	951 61406	224	C110 1502	227	H110 1002	226	R10 1002	229
806 040A	252	807 350A	243	822 240B	245	894 1F23	64	951 61606	224	C110 1802	227	H110 1502	226	R10 1202	229
806 040B	252	807 350B	243	822 240G	245	894 1F53	65	951 81006	224	C112 0752	227	H12 0752	226	R10 1402	229
806 040G	252	807 350G	243	822 300A	245	894 1F83	65	951 81406	224	C112 1001	228	H12 1002	226	R10 1602	229
806 1101	245	808 0202	246	822 300B	245	895 0F53	65	951 81806	224	C112 1002	227	H12 1302	226	R10 1802	229
806 1111	245	808 0203	246	822 300G	245	896 1B83	65	951 82206	224	C112 1302	227	H12 1502	226	R10 2202	229
806 1501	246	808 0213	246	823 100G	150	896 1D53	66	951 82506	224	C112 1802	227	H12 1802	226	R10 2402	229
806 1508	246	808 0752	246	824 125G	159	896 1D73	66	951 83006	224	C12 0301	228	P30 3401	112	R10 2602	229
806 1801	241	808 165A	246	825 090A	251	896 1D73KA	66	999 0001	165	C12 0652	228	P30 3501	112	R108 0402	228
806 180A	241	808 165B	246	825 090B	251	896 1S53	66	999 0021	165	C12 0702	228	R08 0252	229	R108 0802	228
806 180B	241	808 165G	246	825 090G	251	896 1S53KA	66	C06 0502	227	C12 0751	228	R08 0302	229	R108 1002	228
806 180G	241	808 265A	246	825 183A	251	897 1S53	66	C06 0602	227	C12 0752	228	R08 0402	229	R108 1602	228
806 183A	245	808 265B	246	825 183B	251	898 0S13	66	C06 0752	227	C12 0802	228	R08 0502	229	R108 1802	228
806 183B	245	808 265G	246	825 183G	251	900 60502	230	C08 0301	228	C12 0902	228	R08 0602	229	R110 0502	228
806 183G	245	808 365A	246	829 0053	160	900 60752	230	C08 0302	227	C12 1001	228	R08 0702	229	R110 0802	228
806 2401	241	808 365B	246	829 7603	160	900 61002	230	C08 0501	228	C12 1002	228	R08 0802	229	R110 1602	228
806 240A	241	808 365G	246	829 8003	160	900 61302	230	C08 0502	227	C12 1302	228	R08 1002	229	SPO 0032	160
806 240B	241	810 0003	156	829 9603	160	900 61502	230	C08 0602	227	C12 1502	228	R08 1402	229	SPO 0280	17
806 240G	241	811 0003	156	830 3001	74	900 80602	230	C08 0701	228	C12 1802	228	R08 1602	229	T100652	233
806 245A	245	812 183A	245	832 0302	74	900 80752	230	C08 0751	228	C12 2002	228	R08 1802	229	T101002	233
806 245B	245	812 183B	245	832 0457	74	900 81002	230	C08 0752	227	C12 2402	228	R08 2002	229	T101202	233
806 245G	245	812 183G	245	833 0652	70	900 81302	230	C08 0801	228	CUTKEY	17	R08 2202	229	T120802	233
806 2701	241	812 240A	245	833 0657	70	900 81502	230	C08 0802	227	D10 1002	233	R08 2402	229	T121002	233
806 270A	241	812 240B	245	835 000A	252	901 00602	230	C08 0902	227	D12 1002	233	R10 0302	229	T121202	233
806 270B	241	812 240G	245	835 000B	252	901 00752	230	C08 1001	228	H06 0402	226	R10 0502	229	T161252	233
806 270G	241	812 300A	245	835 000G	252	901 01002	230	C08 1002	227	H06 0502	226	R10 0702	229	T20	237
806 300A	245	812 300B	245	835 183A	252	901 01302	230	C08 1502	227	H06 0602	226	R10 0802	229	T201302	233
806 300B	245	812 300G	245	835 183B	252	901 01502	230	C08 1802	227	H06 0702	226	R10 1002	229	T25	237
806 300G	245	813 2401	242	835 183G	252	901 20752	230	C08 2002	227	H06 0802	226	R10 1202	229	T30	237
806 3051	241	813 3001	242	848 5003	152	901 21002	230	C10 0302	227	H06 0902	226	R10 1402	229	T40	237
806 305A	241	813 3401	242	848 5008	152	901 21302	230	C10 0502	227	H08 0402	226	R10 1602	229	T80652	233
806 305B	241	813 4001	242	850 0245	154	901 21502	230	C10 0602	227	H08 0502	226	R10 1802	229		
806 305G	241	813 5001	242	850 024C	154	901 22002	230	C10 0652	227	H08 0602	226	R10 2202	229		
806 821A	243	814 100A	248	850 0285	154	910 61002	230	C10 0752	227	H08 0652	226	R10 2402	229		
806 821B	243	814 100B	248	850 028C	154	910 61502	230	C10 0802	227	H08 0702	226	R10 2602	229		

1. INTERPRETATION

1.1 **Definitions.** In these Conditions, the following definitions apply:

Business Day	a day (other than a Saturday, Sunday or public holiday) when banks in London are open for business.
Conditions	the terms and conditions set out in this document as amended from time to time in accordance with clause 11.6.
Contract	the contract between the Supplier and the Customer for the sale and purchase of the Goods in accordance with these Conditions.
Customer	the person or firm who purchases the Goods from the Supplier.
Force Majeure Event	has the meaning given in clause 10.
Goods	the goods (or any part of them) set out in the Order.
Order	the Customer's order for the Goods, as set out in the Customer's written acceptance of the Supplier's quotation, or overleaf, as the case may be.
Specification	any specification for the Goods, including any related plans and drawings, that is agreed in writing by the Customer and the Supplier.
Supplier	Birkdale Sales Limited (registered in England and Wales with company number 05547795).

1.2 **Construction.** In these Conditions, the following rules apply:

- (a) A **person** includes a natural person, corporate or unincorporated body (whether or not having separate legal personality).
- (b) A reference to a party includes its personal representatives, successors or permitted assigns.
- (c) A reference to a statute or statutory provision is a reference to such statute or provision as amended or re-enacted. A reference to a statute or statutory provision includes any subordinate legislation made under that statute or statutory provision, as amended or re-enacted.
- (d) Any phrase introduced by the terms **including, include, in particular** or any similar expression shall be construed as illustrative and shall not limit the sense of the words preceding those terms.
- (e) A reference to **writing** or **written** includes faxes and e-mails.

2. BASIS OF CONTRACT

- 2.1 These Conditions apply to the Contract to the exclusion of any other terms that the Customer seeks to impose or incorporate, or which are implied by trade, custom, practice or course of dealing.
- 2.2 The Order constitutes an offer by the Customer to purchase the Goods in accordance with these Conditions. The Customer is responsible for ensuring that the terms of the Order and any applicable Specification are complete and accurate.
- 2.3 The Order shall only be deemed to be accepted when the Supplier issues a written acceptance of the Order or commences performance of the Contract by delivering the Goods at which point the Contract shall come into existence.
- 2.4 The Contract constitutes the entire agreement between the parties. The Customer acknowledges that it has not relied on any statement, promise, representation, assurance or warranty made or given by or on behalf of the Supplier which is not set out in the Contract.
- 2.5 Any samples, drawings, descriptive matter, or advertising produced by the Supplier and any descriptions or illustrations contained in the Supplier's catalogues or brochures are produced for the sole purpose of giving an approximate idea of the Goods described in them. They shall not form part of the Contract or have any contractual force.
- 2.6 A quotation for the Goods given by the Supplier shall not constitute an offer. A quotation shall only be valid for a period of 30 Business Days from its date of issue.

3. GOODS

- 3.1 The Goods are described in the Supplier's catalogue as modified by any applicable Specification.
- 3.2 To the extent that the Goods are to be manufactured in accordance with a Specification supplied by the Customer, the Customer shall indemnify the Supplier against all liabilities, costs, expenses, damages and losses (including any direct, indirect or consequential losses, loss of profit, loss of reputation and all interest, penalties and legal and other professional costs and expenses) suffered or incurred by the Supplier in connection with any claim made against the Supplier for actual or alleged infringement of a third party's intellectual property rights arising out of or in connection with the Supplier's use of the Specification. This clause 3.2 shall survive termination of the Contract.
- 3.3 The Supplier reserves the right to amend the specification of the Goods if required by any applicable statutory or regulatory requirements.

4. DELIVERY

- 4.1 The Supplier shall ensure that:
 - (a) each delivery of the Goods is accompanied by a delivery note which shows the date of the Order, all relevant Customer and Supplier reference numbers, the type and quantity of the Goods (including the code number of the Goods, where applicable), special storage instructions (if any) and, if the Order is being delivered by instalments, the outstanding balance of Goods remaining to be delivered; and
 - (b) if the Supplier requires the Customer to return any packaging materials to the Supplier, that fact is clearly stated on the delivery note. The Customer shall make any such packaging materials available for collection at such times as the Supplier shall reasonably request. Returns of packaging materials shall be at the Supplier's expense.
- 4.2 The Supplier shall deliver the Goods to the location set out in the Order or such other location as the parties may agree (**Delivery Location**) at any time after the Supplier notifies the Customer that the Goods are ready.
- 4.3 Delivery of the Goods shall be completed on the Goods' arrival at the Delivery Location.
- 4.4 Any dates quoted for delivery are approximate only, and the time of delivery is not of the essence. The Supplier shall not be liable for any delay in delivery of the Goods that is caused by a Force Majeure Event or the Customer's failure to provide the Supplier with adequate delivery instructions or any other instructions that are relevant to the supply of the Goods.
- 4.5 If the Supplier fails to deliver the Goods, its liability shall be limited to the costs and expenses incurred by the Customer in obtaining replacement goods of similar description and quality in the cheapest market available, less the price of the Goods. The Supplier shall have no liability for any failure to deliver the Goods to the extent that such failure is caused by a Force Majeure Event or the Customer's failure to provide the Supplier with adequate delivery instructions or any other instructions that are relevant to the supply of the Goods.
- 4.6 If the Customer fails to take delivery of the Goods within three Business Days of the Supplier notifying the Customer that the Goods are ready, then, except where such failure or delay is caused by a Force Majeure Event or the Supplier's failure to comply with its obligations under the Contract:
 - (a) delivery of the Goods shall be deemed to have been completed at 9.00 am on the third Business Day after the day on which the Supplier notified the Customer that

the Goods were ready; and

- (b) the Supplier shall store the Goods until delivery takes place, and charge the Customer for all related costs and expenses (including insurance).
- 4.7 If 10 Business Days after the day on which the Supplier notified the Customer that the Goods were ready for delivery the Customer has not accepted delivery of them, the Supplier may resell or otherwise dispose of part or all of the Goods and, after deducting reasonable storage and selling costs, account to the Customer for any excess over the price of the Goods or charge the Customer for any shortfall below the price of the Goods.
 - 4.8 The Customer shall not be entitled to reject the Goods if the Supplier delivers up to and including 5% more or less than the quantity of Goods ordered.
 - 4.9 The Supplier may deliver the Goods by instalments, which shall be invoiced and paid for separately. Each instalment shall constitute a separate Contract. Any delay in delivery or defect in an instalment shall not entitle the Customer to cancel any other instalment.

5. QUALITY

- 5.1 The Supplier warrants that on delivery the Goods shall:
 - (a) conform in all material respects with their description and any applicable Specification; and
 - (b) be free from material defects in design, material and workmanship.
 - 5.2 Subject to clause 5.3, if:
 - (a) the Customer gives notice in writing to the Supplier within a reasonable time of discovery that some or all of the Goods do not comply with the warranty set out in clause 5.1;
 - (b) the Supplier is given a reasonable opportunity of examining such Goods;
 - (c) the Customer (if asked to do so by the Supplier) returns such Goods to the Supplier's place of business at the Customer's cost;
 - (d) the Supplier in its reasonable opinion having examined such Goods finds that such Goods do not comply with the warranty set out in clause 5.1,
 the Supplier shall, at its option, repair or replace the defective Goods, or refund the price of the defective Goods in full.
 - 5.3 The Supplier shall not be liable for Goods' failure to comply with the warranty set out in clause 5.1 in any of the following events:
 - (a) the Customer makes any further use of such Goods after giving notice in accordance with clause 5.2;
 - (b) the defect arises because the Customer failed to follow the Supplier's oral or written instructions as to the storage, commissioning, installation, use and maintenance of the Goods or (if there are none) good trade practice regarding the same;
 - (c) the defect arises as a result of the Supplier following any drawing, design or Specification supplied by the Customer;
 - (d) the Customer alters or repairs such Goods without the written consent of the Supplier;
 - (e) the defect arises as a result of fair wear and tear, wilful damage, negligence, or abnormal storage or working conditions; or
 - (f) the Goods differ from their description as a result of changes made to ensure they comply with applicable statutory or regulatory requirements.
 - 5.4 Except as provided in this clause 5, the Supplier shall have no liability to the Customer in respect of the Goods' failure to comply with the warranty set out in clause 5.1.
 - 5.5 The terms implied by sections 13 to 15 of the Sale of Goods Act 1979 are, to the fullest extent permitted by law, excluded from the Contract.
 - 5.6 These Conditions shall apply to any repaired or replacement Goods supplied by the Supplier.
- ## 6. TITLE and RISK
- 6.1 The risk in the Goods shall pass to the Customer on completion of delivery.
 - 6.2 Title to the Goods shall not pass to the Customer until the earlier of:
 - (a) the Supplier receives payment in full (in cash or cleared funds) for the Goods and any other goods that the Supplier has supplied to the Customer in respect of which payment has become due, in which case title to the Goods shall pass at the time of payment of all such sums; and
 - (b) the Customer resells the Goods, in which case title to the Goods shall pass to the Customer at the time specified in clause 6.4.
 - 6.3 Until title to the Goods has passed to the Customer, the Customer shall:
 - (a) store the Goods separately from all other goods held by the Customer so that they remain readily identifiable as the Supplier's property;
 - (b) not remove, deface or obscure any identifying mark or packaging on or relating to the Goods;
 - (c) maintain the Goods in satisfactory condition and keep them insured against all risks for their full price from the date of delivery;
 - (d) notify the Supplier immediately if it becomes subject to any of the events listed in clause 8.2; and
 - (e) give the Supplier such information relating to the Goods as the Supplier may require from time to time.
 - 6.4 Subject to clause 6.4, the Customer may resell or use the Goods in the ordinary course of its business (but not otherwise) before the Supplier receives payment for the Goods. However, if the Customer resells the Goods before that time:
 - (a) it does so as principal and not as the Supplier's agent; and
 - (b) title to the Goods shall pass from the Supplier to the Customer immediately before the time at which resale by the Customer occurs.
 - 6.5 If before title to the Goods passes to the Customer the Customer becomes subject to any of the events listed in clause 8.2, then, without limiting any other right or remedy the Supplier may have:
 - (a) the Customer's right to resell the Goods or use them in the ordinary course of its business ceases immediately; and
 - (b) the Supplier may at any time:
 - (i) require the Customer to deliver up all Goods in its possession which have not been resold, or irrevocably incorporated into another product; and
 - (ii) if the Customer fails to do so promptly, enter any premises of the Customer or of any third party where the Goods are stored in order to recover them.

7. PRICE and PAYMENT

- 7.1 The price of the Goods shall be the price set out in the Order, or, if no price is quoted, the price set out in the Supplier's published price list in force as at the date of delivery.
- 7.2 The Supplier may, by giving notice to the Customer at any time before delivery, increase the price of the Goods to reflect any increase in the cost of the Goods that is due to:
- (a) any factor beyond the Supplier's control (including foreign exchange fluctuations, increases in taxes and duties, and increases in labour, materials and other manufacturing costs);
 - (b) any request by the Customer to change the delivery date(s), quantities or types of Goods ordered, or the Specification; or
 - (c) any delay caused by any instructions of the Customer or failure of the Customer to give the Supplier adequate or accurate information or instructions.
- 7.3 The price of the Goods is exclusive of the costs and charges of packaging, insurance and transport of the Goods, which shall be invoiced to the Customer.
- 7.4 The price of the Goods is exclusive of amounts in respect of value added tax (VAT). The Customer shall, on receipt of a valid VAT invoice from the Supplier, pay to the Supplier such additional amounts in respect of VAT as are chargeable on the supply of the Goods.
- 7.5 Unless otherwise agreed in writing by the Supplier (in which case clause 7.6 shall apply), payment for the Goods must be made in advance of delivery to the bank account nominated in writing by the Supplier.
- 7.6 Where the Supplier agrees to provide the Customer with extended payment terms, it shall do in writing and the Customer shall pay the invoice in full and in cleared funds by the end of the month following the date of the invoice. Payment shall be made to the bank account nominated in writing by the Supplier. Time of payment is of the essence.
- 7.7 If the Customer fails to make any payment due to the Supplier under the Contract by the due date for payment, then the Customer shall pay interest on the overdue amount at the rate of 4% per annum above Barclay Bank plc's base rate from time to time. Such interest shall accrue on a daily basis from the due date until actual payment of the overdue amount, whether before or after judgment. The Customer shall pay the interest together with the overdue amount.
- 7.8 The Customer shall pay all amounts due under the Contract in full without any set-off, counterclaim, deduction or withholding (except for any deduction or withholding required by law). The Supplier may at any time, without limiting any other rights or remedies it may have, set off any amount owing to it by the Customer against any amount payable by the Supplier to the Customer.
- 8. TERMINATION and SUSPENSION**
- 8.1 If the Customer becomes subject to any of the events listed in clause 8.2, the Supplier may terminate the Contract with immediate effect by giving written notice to the Customer.
- 8.2 For the purposes of clause 8.1, the relevant events are:
- (a) the Customer suspends, or threatens to suspend, payment of its debts, or is unable to pay its debts as they fall due or admits inability to pay its debts, or (being a company or limited liability partnership) is deemed unable to pay its debts within the meaning of section 123 of the Insolvency Act 1986, or (being an individual) is deemed either unable to pay its debts or as having no reasonable prospect of so doing, in either case, within the meaning of section 268 of the Insolvency Act 1986, or (being a partnership) has any partner to whom any of the foregoing apply;
 - (b) the Customer commences negotiations with all or any class of its creditors with a view to rescheduling any of its debts, or makes a proposal for or enters into any compromise or arrangement with its creditors other than (where the Customer is a company) where these events take place for the sole purpose of a scheme for a solvent amalgamation of the Customer with one or more other companies or the solvent reconstruction of the Customer;
 - (c) (being a company) a petition is filed, a notice is given, a resolution is passed, or an order is made, for or in connection with the winding up of the Customer, other than for the sole purpose of a scheme for a solvent amalgamation of the Customer with one or more other companies or the solvent reconstruction of the Customer;
 - (d) (being a company) an application is made to court, or an order is made, for the appointment of an administrator or if a notice of intention to appoint an administrator is given or if an administrator is appointed over the Customer;
 - (e) (being a company) the holder of a qualifying floating charge over the Customer's assets has become entitled to appoint or has appointed an administrative receiver;
 - (f) a person becomes entitled to appoint a receiver over the Customer's assets or a receiver is appointed over the Customer's assets;
 - (g) (being an individual) the Customer is the subject of a bankruptcy petition or order;
 - (h) a creditor or encumbrancer of the Customer attaches or takes possession of, or a distress, execution, sequestration or other such process is levied or enforced on or sued against, the whole or any part of its assets and such attachment or process is not discharged within 14 days;
 - (i) any event occurs, or proceeding is taken, with respect to the Customer in any jurisdiction to which it is subject that has an effect equivalent or similar to any of the events mentioned in clause 8.2(a) to clause 8.2(f) (inclusive);
 - (j) the Customer suspends, threatens to suspend, ceases or threatens to cease to carry on all or a substantial part of its business;
 - (k) the Customer's financial position deteriorates to such an extent that in the Supplier's opinion the Customer's capability to adequately fulfil its obligations under the Contract has been placed in jeopardy; and
 - (l) (being an individual) the Customer dies or, by reason of illness or incapacity (whether mental or physical), is incapable of managing his or her own affairs or becomes a patient under any mental health legislation.
- 8.3 Without limiting its other rights or remedies, the Supplier may suspend provision of the Goods under the Contract or any other contract between the Customer and the Supplier if the Customer becomes subject to any of the events listed in clause 8.2(a) to clause 8.2(l), or the Supplier reasonably believes that the Customer is about to become subject to any of them, or if the Customer fails to pay any amount due under this Contract on the due date for payment.
- 8.4 On termination of the Contract for any reason the Customer shall immediately pay to the Supplier all of the Supplier's outstanding unpaid invoices and interest.

- 8.5 Termination of the Contract, however arising, shall not affect any of the parties' rights, remedies, obligations and liabilities that have accrued as at termination.
- 8.6 Clauses which expressly or by implication survive termination of the Contract shall continue in full force and effect.

9. LIMITATION OF LIABILITY

- 9.1 Nothing in these Conditions shall limit or exclude the Supplier's liability for:
- (a) death or personal injury caused by its negligence, or the negligence of its employees, agents or subcontractors (as applicable);
 - (b) fraud or fraudulent misrepresentation;
 - (c) breach of the terms implied by section 12 of the Sale of Goods Act 1979; or
 - (d) defective products under the Consumer Protection Act 1987.
- 9.2 Subject to clause 9.1:
- (a) the Supplier shall under no circumstances whatever be liable to the Customer, whether in contract, tort (including negligence), breach of statutory duty, or otherwise, for any loss of profit, or any indirect or consequential loss arising under or in connection with the Contract; and
 - (b) the Supplier's total liability to the Customer in respect of all other losses arising under or in connection with the Contract, whether in contract, tort (including negligence), breach of statutory duty, or otherwise, shall in no circumstances exceed the price of the Goods.

10. FORCE MAJEURE

Neither party shall be liable for any failure or delay in performing its obligations under the Contract to the extent that such failure or delay is caused by a Force Majeure Event. A Force Majeure Event means any event beyond a party's reasonable control, which by its nature could not have been foreseen, or, if it could have been foreseen, was unavoidable, including strikes, lock-outs or other industrial disputes (whether involving its own workforce or a third party's), failure of energy sources or transport network, acts of God, war, terrorism, riot, civil commotion, interference by civil or military authorities, national or international calamity, armed conflict, malicious damage, breakdown of plant or machinery, nuclear, chemical or biological contamination, sonic boom, explosions, collapse of building structures, fires, floods, storms, earthquakes, loss at sea, epidemics or similar events, natural disasters or extreme adverse weather conditions, or default of suppliers or subcontractors.

11. GENERAL

11.1 Assignment and other dealings.

- (a) The Supplier may at any time assign, transfer, mortgage, charge, subcontract or deal in any other manner with all or any of its rights or obligations under the Contract.
- (b) The Customer may not assign, transfer, mortgage, charge, subcontract, declare a trust over or deal in any other manner with any or all of its rights or obligations under the Contract without the prior written consent of the Supplier.

11.2 Notices.

- (a) Any notice or other communication given to a party under or in connection with the Contract shall be in writing, addressed to that party at its registered office (if it is a company) or its principal place of business (in any other case) or such other address as that party may have specified to the other party in writing in accordance with this clause, and shall be delivered personally, sent by pre-paid first class post or other next working day delivery service, commercial courier, fax or e-mail.
- (b) A notice or other communication shall be deemed to have been received: if delivered personally, when left at the address referred to in clause 11.2(a); if sent by pre-paid first class post or other next working day delivery service, at 9.00 am on the second Business Day after posting; if delivered by commercial courier, on the date and at the time that the courier's delivery receipt is signed; or, if sent by fax or e-mail, one Business Day after transmission.
- (c) The provisions of this clause shall not apply to the service of any proceedings or other documents in any legal action.

11.3 Severance.

- (a) If any provision or part-provision of the Contract is or becomes invalid, illegal or unenforceable, it shall be deemed modified to the minimum extent necessary to make it valid, legal and enforceable. If such modification is not possible, the relevant provision or part-provision shall be deemed deleted. Any modification to or deletion of a provision or part-provision under this clause shall not affect the validity and enforceability of the rest of the Contract.
- (b) If any provision or part-provision of this Contract is invalid, illegal or unenforceable, the parties shall negotiate in good faith to amend such provision so that, as amended, it is legal, valid and enforceable, and, to the greatest extent possible, achieves the intended commercial result of the original provision.

11.4 Waiver.

A waiver of any right or remedy under the Contract or law is only effective if given in writing and shall not be deemed a waiver of any subsequent breach or default. No failure or delay by a party to exercise any right or remedy provided under the Contract or by law shall constitute a waiver of that or any other right or remedy, nor shall it prevent or restrict the further exercise of that or any other right or remedy. No single or partial exercise of such right or remedy shall prevent or restrict the further exercise of that or any other right or remedy.

11.5 Third party rights.

A person who is not a party to the Contract shall not have any rights to enforce its terms.

11.6 Variation.

Except as set out in these Conditions, no variation of the Contract, including the introduction of any additional terms and conditions, shall be effective unless it is in writing and signed by the Supplier.

11.7 Governing law.

The Contract, and any dispute or claim arising out of or in connection with it or its subject matter or formation (including non-contractual disputes or claims), shall be governed by, and construed in accordance with the law of England and Wales.

11.8 Jurisdiction.

Each party irrevocably agrees that the courts of England and Wales shall have exclusive jurisdiction to settle any dispute or claim arising out of or in connection with this Contract or its subject matter or formation (including non-contractual disputes or claims).



BIRKDALE

Granville House,
The Heights Business Park,
Ibstone Road, Stokenchurch,
Buckinghamshire, HP14 3BG

Tel: (UK) **0345 450 9000**

(ROI) **1800-932-828**

Fax: **0345 450 9085**

Email: **mail@birkdalsales.com**

Web: **birkdalsales.com**

GATEMATE®
BY BIRKDALE

FENCEMATE®
BY BIRKDALE

SITEMATE®
BY BIRKDALE

DuraPost®
BY BIRKDALE

e||umière™
BY BIRKDALE