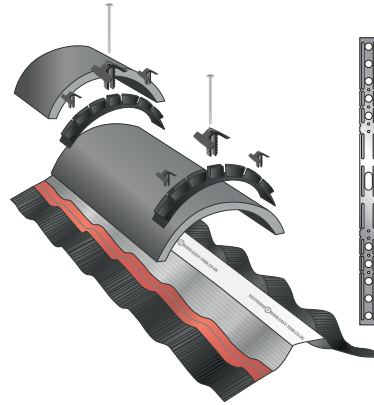


**DRY FIX STANDARD RIDGE KITS****PRODUCT:** Dry Fix Standard Ridge Kit**DESCRIPTION:** Dry fix ridge systems involve covering the roof batten with a breathable ridge roll. Our ridge roll is manufactured in-house from a polypropylene hydrophobic mesh that allows the roof to breathe whilst repelling water. A pumped butyl self-adhesive strip then allows for a secure adhesion to the tile or slate. One by one, the ridge tiles are then installed over the ventilation ridge roll to secure it in place and are laid across the apex of the roof using plastic unions, ratchet clips, screws and nails.**FEATURES & BENEFITS:**

- Mechanically fixed eliminating the requirement of mortar
- Simple to install and requires no special tools
- Resistant to wind and water
- 20 year guarantee on all components
- All major components manufactured in our Lancashire production facility

INSTALLATION: See Dry Fix Standard Ridge Kit Installation Guide**BRITISH STANDARDS:**

- Conforms to BS 5534: Code of Practice for Slating & Tiling For Pitched Roofs & Vertical Tiling
- Conforms to BS 8612: Dry Fixed Ridge, Hip & Verges Systems for Slating & Tiling
- Conforms to BS 5250: For Roofspace Ventilation (Management and Moisture in Buildings)

COMPATIBLE WITH:

- Concrete ridge tiles (EASYRIDGEBLK)
- Half round and angled ridge tiles
- Hips - a Hip Kit must be used in conjunction with the Dry Fix Standard Ridge Kit

FOR USE ON:

- Ridge
- Hip
- New build and refurbishments

MATERIAL:

Ridge Roll - Polypropylene hydrophobic mesh, corrugated aluminium and pumped butyl self-adhesive strip
 Batten Straps - stainless steel
 Unions - film grade polypropylene
 Ratchet clips - glass filled nylon

ROOF PITCH: Suitable for pitches of 15° to 45°**VENTILATION:** Provides 5mm of continuous ridge ventilation**INSTALLATION****TEMPERATURE:** 5° to 35°**RELATED PRODUCTS:**

- Dry Fix Ridge Plus Kit
- Hip Kit
- Hip Tray
- Maintenance Pack
- Union Maintenance Pack
- Union Pack

CODE	DESCRIPTION	COMPATIBLE WITH	COLOUR	ROLL LENGTH	UNIONS	BATTEN STRAPS	CENTRE CLIPS	OUTER CLIPS	SCREWS	NAILS
EASYRIDGE3MTR	RIDGE KIT STANDARD	CONCRETE RIDGE TILES	BLACK	3 METRE	7	5	7	14	7	45 APPROX
EASYRIDGE6BK	RIDGE KIT STANDARD	CONCRETE RIDGE TILES	BLACK	6 METRE	13	10	13	26	13	45 APPROX
EASYRIDGE10MTR	RIDGE KIT STANDARD	CONCRETE RIDGE TILES	BLACK	10 METRE	22	17	22	44	22	80 APPROX

CODE	DESCRIPTION	BOX DIMENSIONS	BOX WEIGHT	PALLET QTY
EASYRIDGE3MTR	RIDGE KIT STANDARD	330 x 305 x 180MM (L x W x H)	1.45KG	90
EASYRIDGE6BK	RIDGE KIT STANDARD	325 x 310 x 220MM (L x W x H)	2.35KG	84
EASYRIDGE10MTR	RIDGE KIT STANDARD	375 x 300 x 285MM (L x W x H)	4KG	60

Unit 12B, Metcalf Drive,
 Altham Industrial Estate,
 Altham, Lancashire,
 England, BB5 5TU



Tel 01282 930680
 sales@easy-trim.co.uk
 www.easy-trim.co.uk