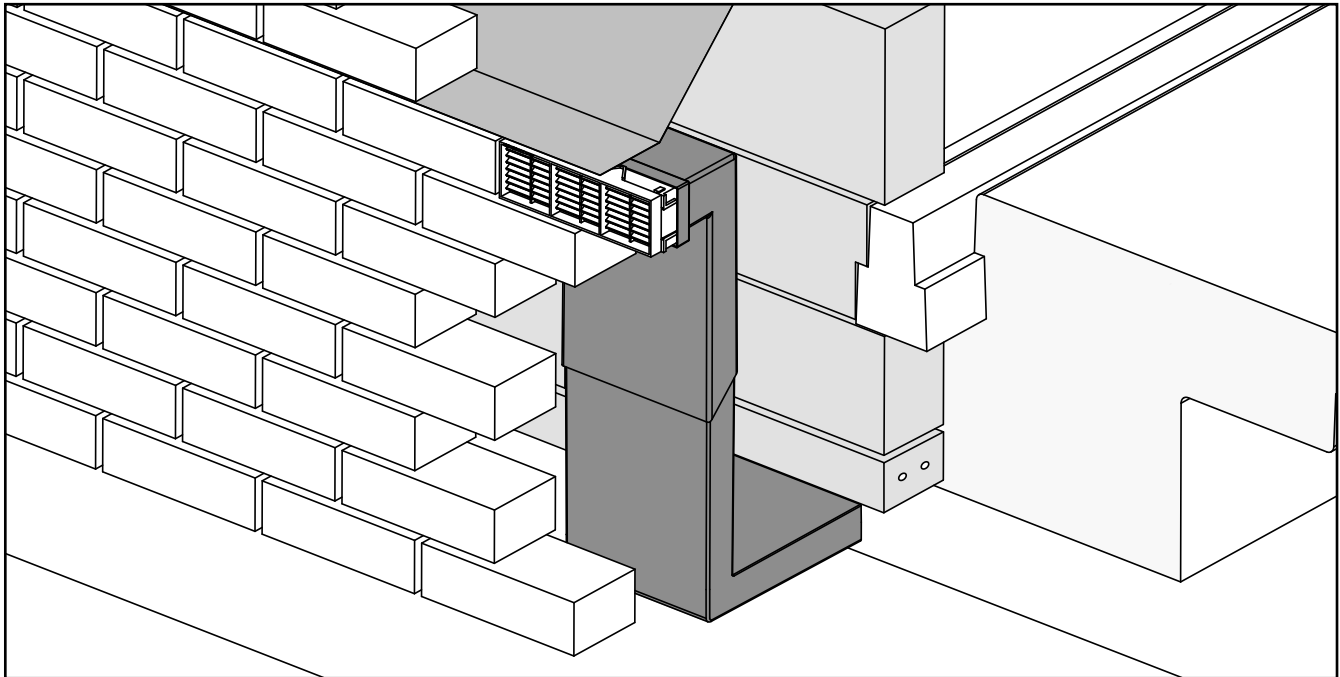


Dual Extended Telescopic Underfloor Void Ventilator

Code: **G965**



Colour	Black
Packing Details	16 per box
Weight	0.66 kg per part. 12 kg per box
Material	Polypropylene
Manufacturing Process	Injection Moulded
Free Area	6,450 mm ² with G930 airbrick (8,000 mm ² G965 only)
Vertical Extension	318mm - 575mm
Horizontal Extension	360mm (Including G930 Airbrick)

Description

The G965 Dual Extended Telescopic Underfloor Void Ventilator is designed to provide a clear airflow passage to a void beneath an insulated suspended floor. The G965 offers a vertical telescopic adjustment of up to 575mm without the need for an extension sleeve. The horizontal outlet is long enough to bridge through an overall wall thickness of 350mm without the need for an additional extension. The front aperture of the G965 is designed for use with a G930 Airbrick or it can be used in conjunction with a traditional clay airbrick, although this would reduce the overall airflow through the system.

Please note this is not a structural load bearing product. Drawings are illustrative only.

MANTHORPE BUILDING PRODUCTS LTD
MANTHORPE HOUSE
BRITTAIN DRIVE
CODNOR GATE BUSINESS PARK
RIPLEY
DERBYSHIRE DE5 3ND

TEL: 01773 303 000
FAX: 01773 303 300
EMAIL:
mbp.care@manthorpebp.co.uk
WEB:
www.manthorpebp.co.uk

DRN
B.H. 19/06/19

ISSUE DRN
B.H. 13/10/23

The company maintains a policy of continuous development of its product range and reserves the right to amend the specification without notice.

DRG No

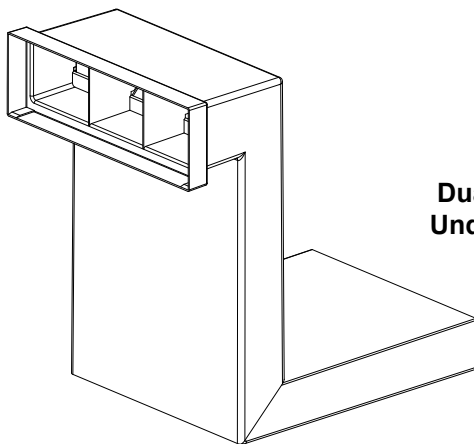
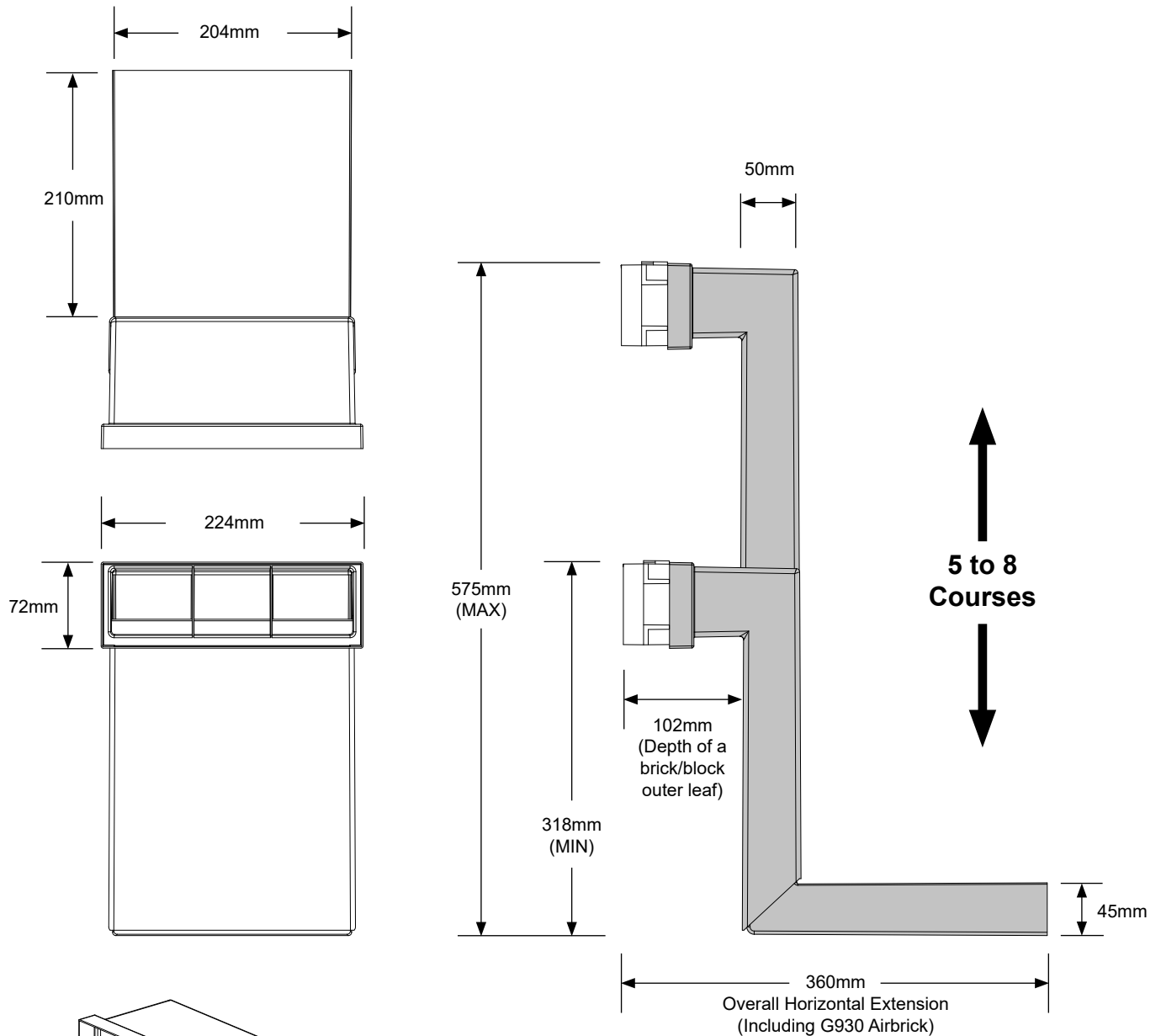
MBP 8298

Issue

06
1 of 3

Dual Extended Telescopic Underfloor Void Ventilator

Code: **G965**



Dual Extended Underfloor Vent G965

Note

Extensions that require fewer than a 5 course drop in the brickwork can be achieved by trimming the required amount from the vent.

Height can be increased using G961 extension sleeves.

MANTHORPE BUILDING PRODUCTS LTD
 MANTHORPE HOUSE
 BRITAIN DRIVE
 CODNOR GATE BUSINESS PARK
 RIPLEY
 DERBYSHIRE DE5 3ND

TEL: 01773 303 000
 FAX: 01773 303 300
 EMAIL: mbp.care@manthorpebp.co.uk
 WEB: www.manthorpebp.co.uk

DRN
 B.H. 19/06/19

ISSUE DRN
 B.H. 13/10/23

DRG No

MBP 8298

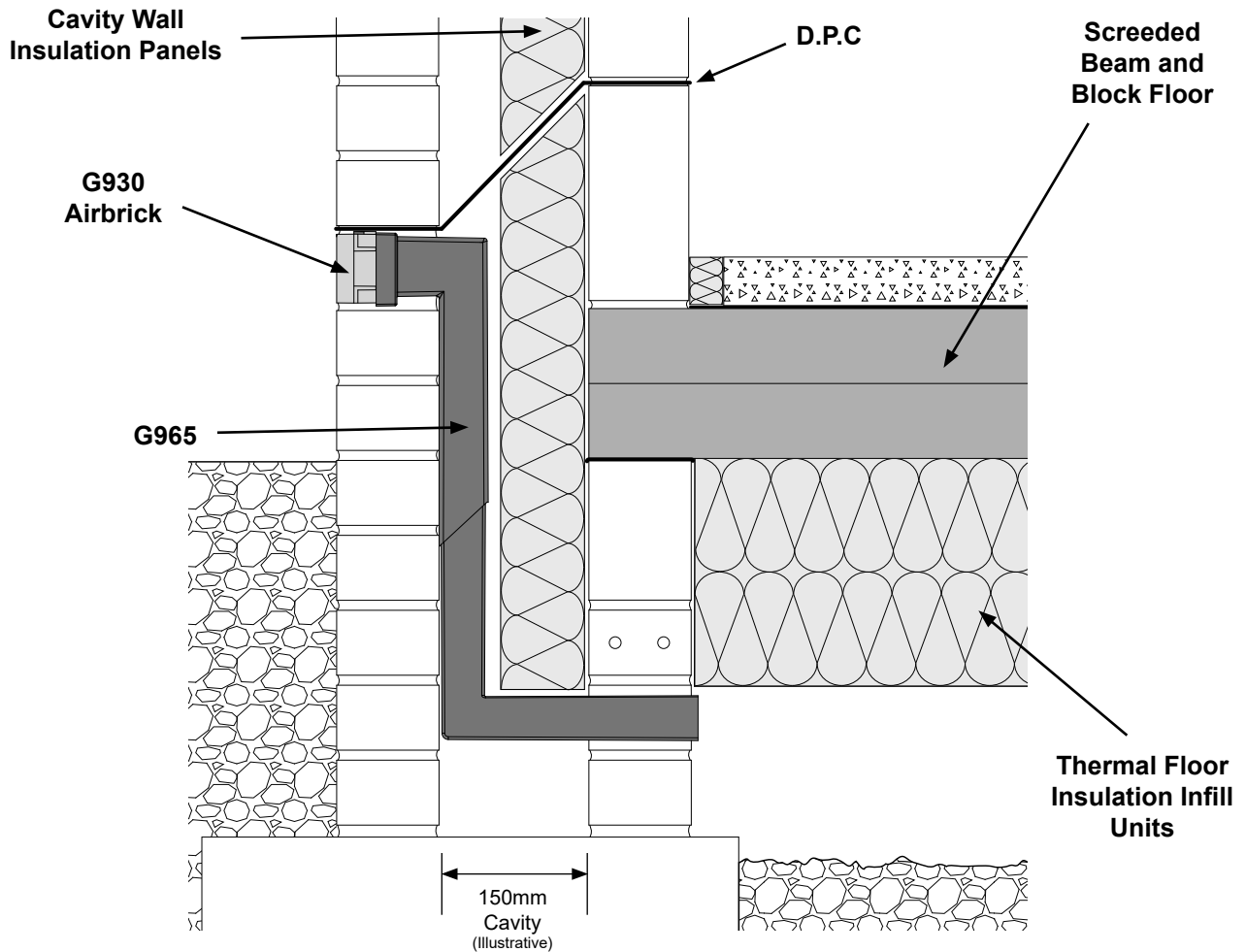
Issue

06
 2 of 3

The company maintains a policy of continuous development of its product range and reserves the right to amend the specification without notice.

Dual Extended Telescopic Underfloor Void Ventilator

Code: **G965**



Fitting Instructions

The G965 Dual Extended Telescopic Underfloor Void Ventilator should be installed during the normal course of bricklaying. The vent can be fitted as an assembled unit, or the base component can be positioned first, with the top added later when the bricklaying reaches the correct height. If fitted above the D.P.C then a suitable cavity tray should be fitted above the G965.

As per BS5250:2021 - 10.5.6, 'subfloor ventilation should be provided by evenly spaced vents having a free area of not less than 1,500mm²/m run of external wall or 500 mm²/m² of floor area, whichever is the greater. Vents should be placed on at least two opposing elevations at no more than 2m centres and no more than 450mm from the corner of the building'

For further reference, please see Building Regulations Approved Document C - 4.19 (2013), NHBC 5.2.10 and, BS5250:2021 provide additional guidance.

Bricklaying should then be completed as normal although care should be taken to keep the air flow passage clear from mortar droppings.

This product should be used in conjunction with other products from the Manthorpe range to provide a complete through wall ventilation system. In the event that further extension is required, a G961 Extension Sleeve can be used to extend the reach of the system vertically, and can also be used horizontally to protrude through a thicker wall detail.

Please note this is not a structural load bearing product. Drawings are illustrative only.

MANTHORPE BUILDING PRODUCTS LTD
MANTHORPE HOUSE
BRITTAIN DRIVE
CODNOR GATE BUSINESS PARK
RIPLEY
DERBYSHIRE DE5 3ND

TEL: 01773 303 000
FAX: 01773 303 300
EMAIL:
mbp.care@manthorpebp.co.uk
WEB:
www.manthorpebp.co.uk

DRN
B.H. 19/06/19

ISSUE DRN
B.H. 13/10/23

DRG No

MBP 8298

Issue

06
3 of 3

The company maintains a policy of continuous development of its product range and reserves the right to amend the specification without notice.