

Installation instructions



aroTHERM

VWL 55/3 A 230 V

VWL 85/3 A 230 V

GB

Publisher/manufacturer

Vaillant GmbH

Berghauser Str. 40 ■ D-42859 Remscheid
Tel. +492191 18 0 ■ Fax +492191 18 2810
info@vaillant.de ■ www.vaillant.de



Contents

1	Safety	3	7.7	Checking the product's status codes	23
1.1	Action-related warnings	3	7.8	Checking the electrical installation	23
1.2	Intended use	3	7.9	Start-up following maintenance	23
1.3	General safety information	3	8	Troubleshooting	23
1.4	Regulations (directives, laws, standards)	5	8.1	Troubleshooting	23
1.5	Regulations	5	8.2	Fault codes	23
1.6	Other regulations	5	8.3	Carrying out the actuator test	23
2	Notes on the documentation	6	8.4	Carrying out check programmes	24
2.1	Observing other applicable documents	6	9	Decommissioning	24
2.2	Storing documents	6	9.1	Temporary decommissioning	24
2.3	Validity of the instructions	6	9.2	Permanently decommissioning	24
3	System overview	6	10	Recycling and disposal	24
3.1	Safety devices	6	10.1	Arranging disposal of refrigerant	24
3.2	Design of the heat pump system	6	11	Customer service	24
3.3	Functionality	6	Appendix	25	
3.4	System diagram (VWL 55/3 A 230 V)	7	A	Connection diagrams	25
3.5	Basic system diagram (VWL 85/3 A 230 V)	7	A.1	Wiring diagram (VWL 55/3 A 230 V, VWL 85/3 A 230 V)	25
4	Product overview	8	B	Heat pump schematic	26
4.1	Type designation and serial number	8	B.1	Heat pump basic diagram (VWL 55/3 A 230 V)	26
4.2	Information on the data plate	8	B.2	Heat pump basic diagram (VWL 85/3 A 230 V)	27
4.3	CE marking	8	C	Heat pump setting parameters	27
4.4	Local regulations	8	D	Status codes	28
5	Assembly and installation	9	E	Technical data	30
5.1	Preparing for fitting and installation	9	F	Overview of fault codes	32
5.2	Carrying out the installation	13	G	Commissioning Checklist	35
5.3	Hydraulics installation	14	Index	38	
5.4	Carrying out the electrical installation	15			
6	Start-up	16			
6.1	Run the start-up	16			
6.2	Heat pump operating concept	17			
6.3	Running through the installation assistant	17			
6.4	Calling up Live Monitor (checking status codes)	17			
6.5	Calling up statistics	17			
6.6	Filling the heating circuit	17			
6.7	Checking and treating the heating water/filling and supplementary water	18			
6.8	Filling the heating installation	19			
6.9	Activating the heat pump	19			
6.10	Checking the product's operation	19			
6.11	Operating noises	19			
6.12	Adjusting the heating circuit	20			
6.13	Installing the side casing	21			
6.14	Instructing the end user	21			
7	Maintenance	21			
7.1	Observing maintenance intervals	21			
7.2	Preparing for maintenance	21			
7.3	Instructions before carrying out maintenance work	21			
7.4	Yearly maintenance	21			
7.5	Cleaning the product	22			
7.6	Draining the product	22			

1 Safety

1.1 Action-related warnings

Classification of action-related warnings

The action-related warnings are classified in accordance with the severity of the possible danger using the following warning signs and signal words:

Warning symbols and signal words



Danger!

Imminent danger to life or risk of severe personal injury



Danger!

Risk of death from electric shock



Warning.

Risk of minor personal injury



Caution.

Risk of material or environmental damage

1.2 Intended use

There is a risk of injury or death to the user or others, or of damage to the product and other property in the event of improper use or use for which it is not intended.

The product is the outdoor unit of an air-to-water heat pump with monoblock design.

The product uses the outdoor air as a heat source and can be used to heat a residential building and for domestic hot water generation.

The product is only intended for outdoor installation.

The product is intended exclusively for domestic use.

Intended use includes the following:

- observance of accompanying operating, installation and maintenance instructions for the product and any other system components
- installing and setting up the product in accordance with the product and system approval
- compliance with all inspection and maintenance conditions listed in the instructions.

Intended use also covers installation in accordance with the IP code.

Any other use that is not specified in these instructions, or use beyond that specified in this document, shall be considered improper use. Any direct commercial or industrial use is also deemed to be improper.

Caution.

Improper use of any kind is prohibited.

1.3 General safety information

1.3.1 Risk caused by inadequate qualifications

The following work must only be carried out by competent persons who are sufficiently qualified to do so:

- Set-up
- Dismantling
- Installation
- Start-up
- Inspection and maintenance
- Repair
- Decommissioning
- ▶ Proceed in accordance with current technology.

1.3.2 Risk of injury due to the heavy weight of the product

The product weighs over 50 kg.

- ▶ Make sure that the product is carried by at least two people.
- ▶ Use suitable transport and lifting equipment, in accordance with your risk assessment.
- ▶ Use suitable personal protective equipment: Gloves, safety footwear, protective goggles, protective helmet.

1.3.3 Risk of death from electric shock

There is a risk of death from electric shock if you touch live components.

Before commencing work on the product:

- ▶ Disconnect the product from the power supply by switching off all power supplies at all poles (electrical partition with a contact gap of at least 3 mm, e.g. fuse or circuit breaker).

1 Safety

- ▶ Secure against being switched back on again.
- ▶ Wait for at least 3 minutes until the capacitors have discharged.
- ▶ Check that there is no voltage.

1.3.4 Risk of death due to lack of safety devices

The basic diagrams included in this document do not show all safety devices required for correct installation.

- ▶ Install the necessary safety devices in the installation.
- ▶ Observe the applicable national and international laws, standards and directives.

1.3.5 Risk of being scalded by hot drinking water

There is a risk of scalding at the hot water draw-off points if the hot water temperatures are greater than 50 °C. Young children and elderly persons are particularly at risk, even at lower temperatures.

- ▶ Select the temperature so that nobody is at risk.

1.3.6 Risk of injury or material damage due to incorrect handling of the product

Using the fins on the front side of the product as conductors may lead to injuries (due to falling) or to material damage.

- ▶ Do not use the fins as conductors.

1.3.7 Risk of material damage due to additional elements in the heating water

Unsuitable frost and corrosion protection agents may damage seals and other components of the heating circuit and may therefore also lead to leaks in the water outlet.

- ▶ Only add approved frost and corrosion protection agents to the heating water.

1.3.8 Risk of material damage caused by using an unsuitable tool

- ▶ Use the correct tool.

1.3.9 Avoid environmental damage caused by escaping refrigerant

The heat pump contains the refrigerant R410A. The refrigerant must not be allowed to escape into the atmosphere. R410A is a fluorinated greenhouse gas covered by the Kyoto Protocol, with a GWP of 2088 (GWP = Global Warming Potential). If this gas escapes into the atmosphere, its impact is 2088 times greater than the natural greenhouse gas CO₂.

Before the heat pump is disposed of, the refrigerant that is contained in it must be completely drained into a suitable vessel so that it can then be recycled or disposed of in accordance with regulations.

- ▶ Ensure that only officially certified competent persons with appropriate protective equipment carry out maintenance work on the refrigerant circuit or access it.
- ▶ Arrange for the refrigerant contained in the product to be recycled or disposed of by certified competent persons in accordance with regulations.
- ▶ Use only R410A as the refrigerant.
- ▶ Only use a tool suitable for R410A for the filling, pressure measurement, vacuum generation and discharge.
- ▶ Solder the lines using shielding gas. Check the lines for leak-tightness using nitrogen.
- ▶ In the event of a repair or maintenance work, fill the refrigerant circuit with liquid refrigerant.
- ▶ If the refrigerant circuit is not leak-tight, check which components must be repaired or replaced.
- ▶ Lower the negative pressure in the refrigerant circuit to max. 10 mbar (1000 Pa).
- ▶ When filling the refrigerant circuit, observe the values in the "Technical data" section.

1.4 Regulations (directives, laws, standards)

- ▶ Observe the national regulations, standards, directives, ordinances and laws.

1.5 Regulations

1.5.1 Statutory requirements

Where no British Standards exists, materials and equipment should be fit for their purpose and of suitable quality and workmanship.

The installation of this appliance must be carried out by a competent person in accordance the rules in force in the countries of destination.

Manufacturer's instructions must not be taken as overriding statutory requirements.

1.5.2 Standards

On installing and commissioning the appliance you must adhere to the technical rules, standards and provisions in effect at the time.

1.5.3 Reminder of existing regulatory acts

- EC regulation No. 2037/2000 from the 29th of June 2000 This European regulation repeals regulation No. 3093/94 and presents the elimination schedules of CFC and HCFC. It also deals with the collection of refrigerants, system leaks, particularly systems containing more than 3 kg of CFC or HCFC, as well as the minimum level of qualification required by the technicians.
- EC regulation No. 0842/2006 from the 17th of May 2006 regarding the containment, use, collection and disposal of the fluorinated greenhouse gases, the labelling and elimination of the products and equipment containing these gases, the restriction of use and banning of certain products from the market, as well as the training and certification of personnel and companies operating in the activities targeted by this regulation: refrigeration, air-conditioning, heat pumps and fire protection systems containing greenhouse gases.

1.6 Other regulations

1.6.1 Control of Substances Hazardous to Health

Under Section 6 of The Health and Safety at Work Act 1974, we are required to provide information on substances hazardous to health. The adhesives and sealants used in this appliance are cured and give no known hazard in this state.

The refrigerant used in this appliance is R410a the use of which is strictly controlled by F Gas regulation (EU) No. 517/2014.

2 Notes on the documentation

2 Notes on the documentation

2.1 Observing other applicable documents

- ▶ Always observe all the operating and installation instructions included with the system components.

2.2 Storing documents

- ▶ Pass these instructions and all other applicable documents on to the end user.

2.3 Validity of the instructions

These instructions apply to units with the following type designations and article numbers only:

Type designation	Art. no.
aroTHERM VWL 55/3 A 230 V	0010019758
aroTHERM VWL 85/3 A 230 V	0010019759

The seventh to sixteenth digits of the serial number on the identification plate form the article number.

3 System overview

3.1 Safety devices

- The product can work at the following outdoor temperatures:

	VWL 55/3 A 230 V	VWL 85/3 A 230 V
Heating mode	-15 to 28 °C	-20 to 28 °C
Cylinder charging mode	-15 to 46 °C	-20 to 46 °C

- If the product's refrigerant circuit pressure exceeds the maximum pressure of 4.15 MPa (41.5 bar), the high-pressure pressure switch switches the product off. Following a waiting period, the product attempts to start once more. After three failed start attempts in succession, a fault message is displayed.
- If the product is switched off, the crankcase housing heating is switched on when the compressor outlet temperature reaches 7 °C. This prevents possible damage caused by switching the product back on.
- If the compressor inlet temperature and the compressor outlet temperature are below 1 °C, the compressor does not start up.
- A temperature sensor on the compressor outlet limits the product's operation if the measured temperature exceeds the maximum permissible temperature. The maximum permissible temperature depends on the evaporation and condensation temperature.
- The product measures the flow rate of the connected heating circuit when starting up the product.
- If the heating circuit temperature falls below 3 °C, the product's frost protection function is automatically activated as the heating pump is started.



Caution.

Risk of material or environmental damage.

In the event of a power cut, for example due to maintenance work, interruptions in the power supply or power failure at the energy supply company, the heating water temperature may fall below the freezing point. The product's internal frost protection functions then switch off and there is a risk of frost for the heating installation.

- ▶ Ensure that the heating installation can operate without being affected by frost.



Note

Operating the heat pump outside the application limits results in the heat pump being switched off by the internal control and safety devices.

3.2 Design of the heat pump system

The heat pump system consists of the following components:

- aroTHERM heat pump
- VWZ AI heat pump control interface module
- Additional hydraulic components, if required
- VRC 700 system control

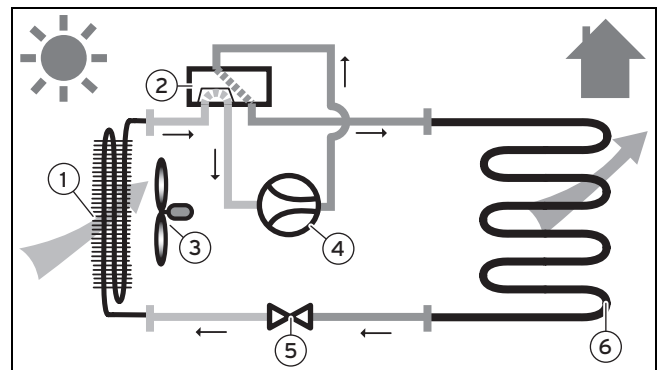
The heat pump can be operated by the VWZ AI heat pump control interface module. The extended operation of the heat pump is carried out by the system controller.

3.3 Functionality

The product comprises the following circuits:

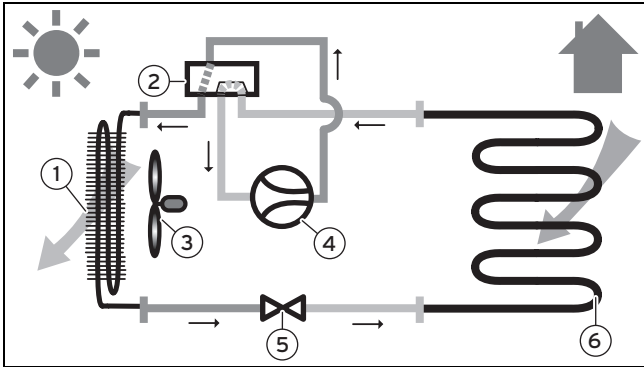
- The refrigerant circuit releases heat into the heating circuit by means of evaporation, compression, condensation and expansion
- The heating circuit

3.3.1 Heating mode



- | | | | |
|---|-------------|---|----------------------------|
| 1 | Evaporator | 4 | Compressor |
| 2 | 4-way valve | 5 | Electronic expansion valve |
| 3 | Fan | 6 | Plate heat exchanger |

3.3.2 Thawing

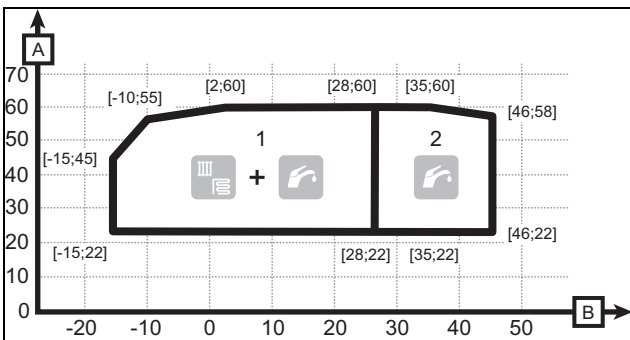


- | | | | |
|---|--------------|---|----------------------------|
| 1 | Evaporator | 4 | Compressor |
| 2 | 4-port valve | 5 | Electronic expansion valve |
| 3 | Fan | 6 | Plate heat exchanger |

3.3.3 Application limits

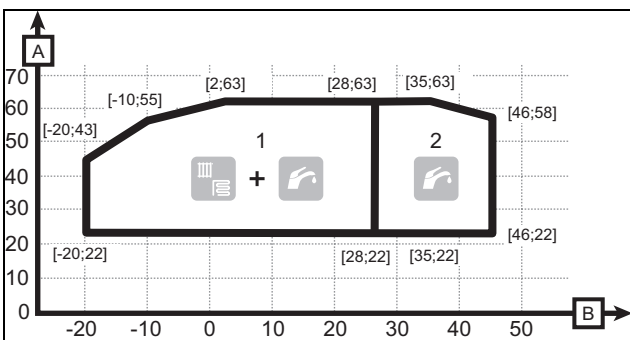
Operating the pump outside the application limits results in the heat pump being switched off by the internal control and safety devices.

3.3.3.1 Application limits in heating mode (VWL 55/3 A 230 V)



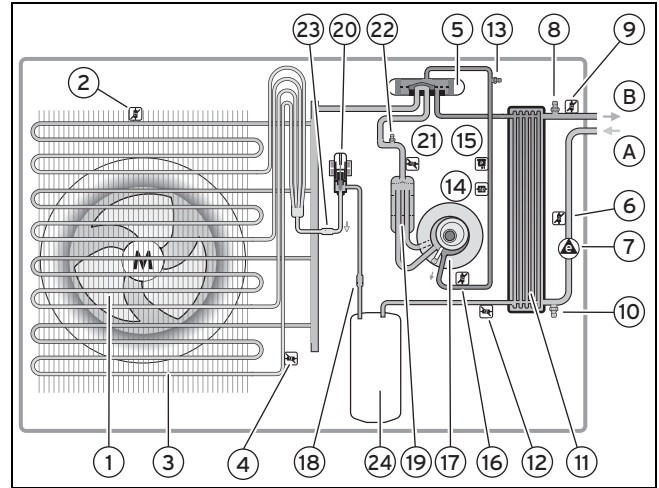
- | | | | |
|---|--|---|-------------------|
| 1 | Heating mode application limits | A | Water temperature |
| 2 | Domestic hot water generation application limits | B | Air temperature |

3.3.3.2 Application limits in heating mode (VWL 85/3 A 230 V)



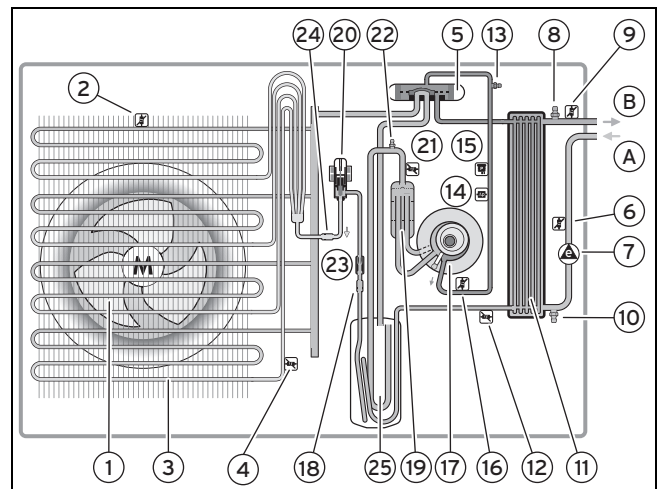
- | | | | |
|---|--|---|-------------------|
| 1 | Heating mode application limits | A | Water temperature |
| 2 | Domestic hot water generation application limits | B | Air temperature |

3.4 System diagram (VWL 55/3 A 230 V)



- | | | | |
|----|--|----|---|
| 1 | Fan | 14 | High-pressure pressure switch in the refrigerant circuit |
| 2 | Air inlet temperature sensor | 15 | High-pressure sensor in the refrigerant circuit |
| 3 | Ribbed pipe heat exchanger | 16 | Compressor outlet temperature sensor |
| 4 | Temperature sensor of the ribbed pipe heat exchanger | 17 | Rotary piston compressor |
| 5 | 4-way valve | 18 | Filter |
| 6 | Return heating circuit temperature sensor | 19 | Liquid separator |
| 7 | High-efficiency pump with flow rate sensor | 20 | Electronic expansion valve |
| 8 | Purging valve | 21 | Compressor inlet temperature sensor |
| 9 | Flow heating circuit temperature sensor | 22 | Service valve for the low-pressure range of the refrigerant circuit |
| 10 | Drain valve | 23 | Filter |
| 11 | Plate heat exchanger | 24 | Fluid collector |
| 12 | Temperature sensor after the plate heat exchanger | A | Heating return |
| 13 | Service valve for the high-pressure range of the refrigerant circuit | B | Heating flow |

3.5 Basic system diagram (VWL 85/3 A 230 V)



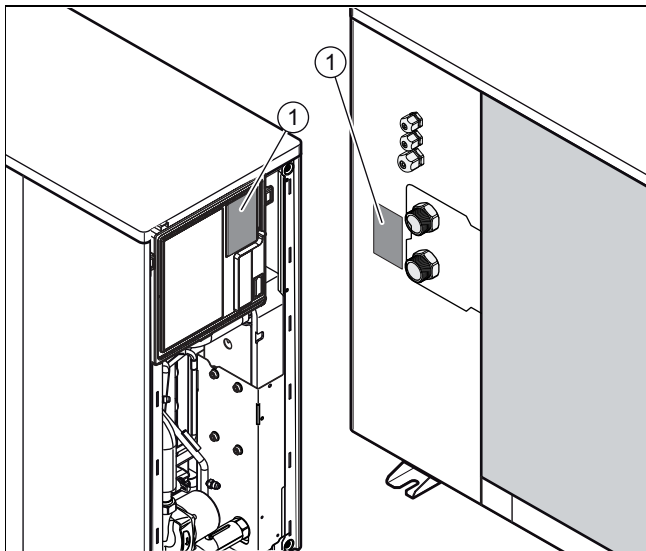
- | | | | |
|---|------------------------------|---|----------------------------|
| 1 | Fan | 3 | Finned-tube heat exchanger |
| 2 | Air inlet temperature sensor | | |

4 Product overview

4	Temperature sensor of the finned-tube heat exchanger	15	High-pressure sensor in the refrigerant circuit
5	4-port valve	16	Compressor outlet temperature sensor
6	Return heating circuit temperature sensor	17	Rotary compressor
7	High-efficiency pump with flow rate sensor	18	Filter
8	Purging valve	19	Liquid separator
9	Flow heating circuit temperature sensor	20	Electronic expansion valve
10	Drain valve	21	Compressor inlet temperature sensor
11	Plate heat exchanger	22	Service valve for the low-pressure area of the refrigerant circuit
12	Temperature sensor after the plate heat exchanger	23	Flow rate limiter (cooling mode)
13	Service valve for the high-pressure range of the refrigerant circuit	24	Filter
14	High-pressure pressure switch in the refrigerant circuit	25	Gas buffer
		A	Heating return
		B	Heating flow

4 Product overview

4.1 Type designation and serial number



The type designation and serial number are on the data plate (1).

4.2 Information on the data plate

Information on the data plate	Meaning
Serial no.	Unique unit identification number
P max	Maximum rated power
I	Max. operating current
I max	Maximum in-rush current
R410A	Refrigerant type and fill quantity
GWP 2088	Global Warming Potential of the refrigerant
PS _{R_LP} PS _{R_HP}	Min. and max. operating pressure in the refrigerant circuit

Information on the data plate	Meaning
PS _H min PS _H max	Minimum and maximum operating pressure in the heating circuit
COP (Ax/Wxx)	Output figure (coefficient of performance) at an air inlet temperature of xx °C and a heating flow temperature of xx °C
III (Ax/Wxx)	Heating output at an air inlet temperature of xx °C and a heating flow temperature of xx °C
Volt	Compressor, pump and control mains voltage
Hz	Mains frequency
IP	Protection class
	Compressor
	Fan
	Pump
	Control

4.3 CE marking



The CE marking shows that the products comply with the basic requirements of the applicable directives as stated on the declaration of conformity.

The declaration of conformity can be viewed at the manufacturer's site.

4.4 Local regulations

Benchmark places responsibilities on both manufacturers and installers. The purpose is to ensure that customers are provided with the correct equipment for their needs, that it is installed, commissioned and serviced in accordance with the manufacturer's instructions by a competent person approved at the time by the Health and Safety Executive and that it meets the requirements of the appropriate Building Regulations. The Benchmark Checklist can be used to demonstrate compliance with Building Regulations and should be provided to the customer for future reference.

Installers are required to carry out installation, commissioning and servicing work in accordance with the Benchmark Code of Practice which is available from the Heating and Hotwater Industry Council who manage and promote the Scheme.



Visit www.centralheating.co.uk for more information.

Planning consent and Building works notification should be submitted either to Building Control or to a Competent Person Provider.

5 Assembly and installation

5.1 Preparing for fitting and installation

5.1.1 Delivery, transport and positioning

5.1.1.1 Transporting the product



Warning.

Risk of injury from lifting a heavy weight.

Lifting weights that are too heavy may cause injury to the spine, for example.

- ▶ When transporting the product, two people should lift it.
- ▶ Observe the product weight stated in the technical data.
- ▶ When transporting heavy loads, observe the applicable directives and regulations.



Caution.

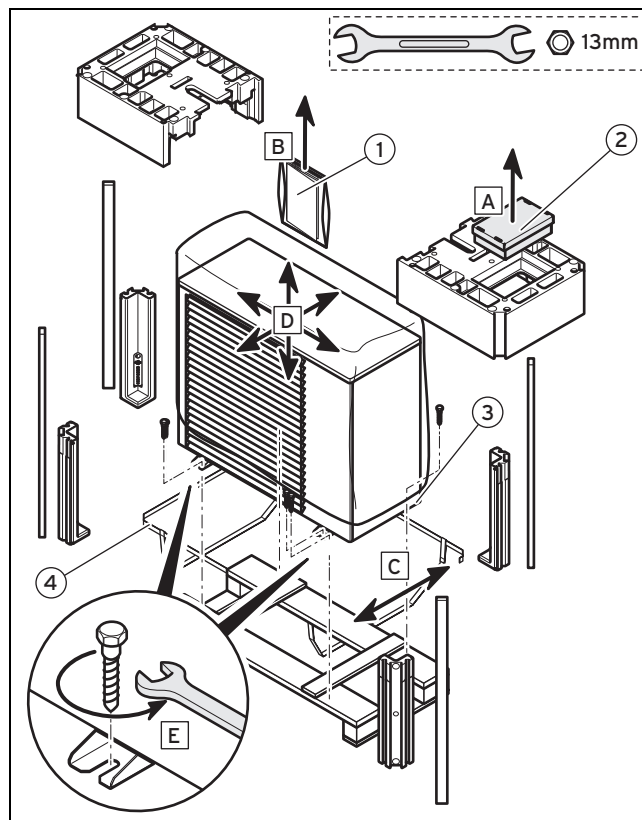
Risk of material damage due to incorrect transportation.

Regardless of the mode of transport, the heat pump must never be tilted by more than 45°. Otherwise, this may lead to malfunctions in the refrigerant circuit during subsequent operation. In the worst case scenario, this may lead to a fault in the whole system.

- ▶ During transport, do not tilt the heat pump by any more than the maximum angle of 45°.

- ▶ Use the transportation belt to carry the product to the final installation site.
- ▶ Only lift the product from the back and side where the hydraulic connections are located.
- ▶ When transporting the product using a hand truck, secure the product using a belt.
- ▶ In order to avoid scratches and damage, protect the sides of the product that come into contact with the hand truck.

5.1.1.2 Unpacking the product



1. Remove the accessory (2).
2. Remove the documentation supplied (1).
3. Remove the transport belt (4).
4. Carefully remove the packaging and padding without damaging the product (3).
5. Remove the screws from the pallet at the front and rear of the product.

5.1.1.3 Checking the scope of delivery

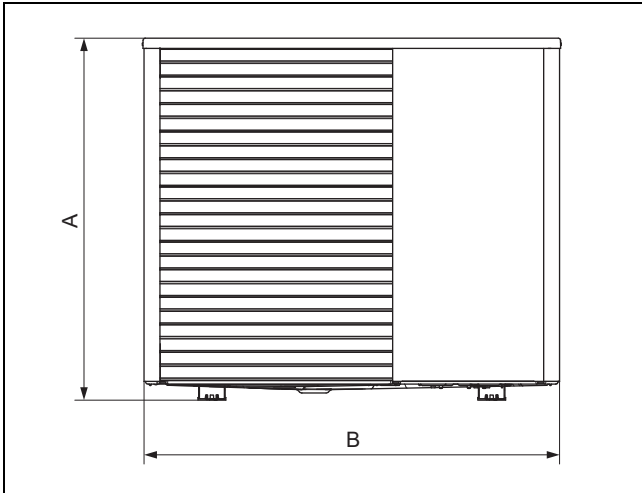
- ▶ Check the contents of the packaging units

Quantity	Description
1	Condensate discharge
1	Bag with seals
4	Vibration-isolating feet
1	Purge hose

5 Assembly and installation

5.1.2 Dimensions

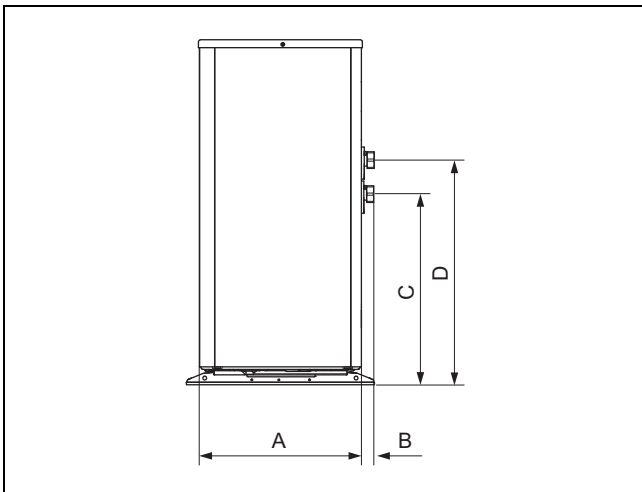
5.1.2.1 Front view



Product	A*	B
VWL 55/3 A 230 V	834	980
VWL 85/3 A 230 V	973	1103

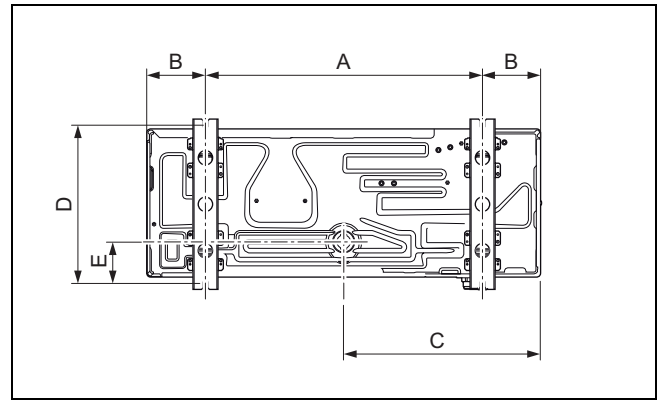
* Size increases by 45 mm when using the vibration dampers supplied.

5.1.2.2 Side view, right



Product	A	B	C	D
VWL 55/3 A 230 V	408	32	481	581
VWL 85/3 A 230 V	463	32	481	581

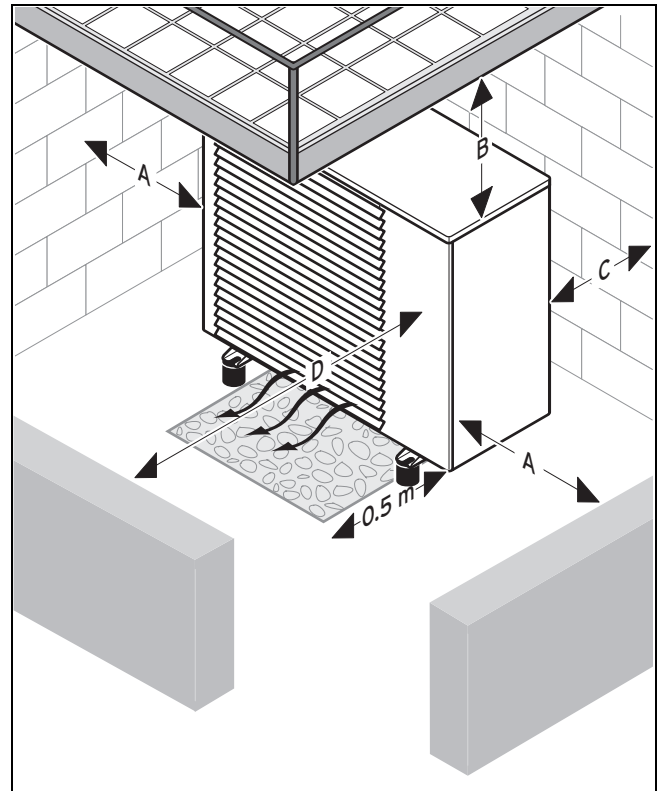
5.1.2.3 Bottom view



Product	A	B	C	D	E
VWL 55/3 A 230 V	740	120	490	386	70
VWL 85/3 A 230 V	778	162	550	437	102

5.1.3 Complying with minimum clearances

5.1.3.1 Installation clearance



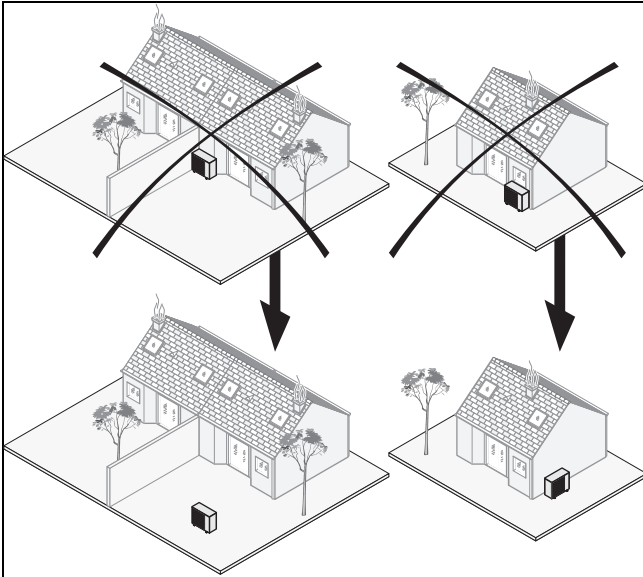
Clearance	For heating mode
A	> 250 mm
B	> 1000 mm
C	> 120 mm*
D	> 600 mm

***Caution:** If the minimum clearances are not maintained, the efficiency of the product may be affected.

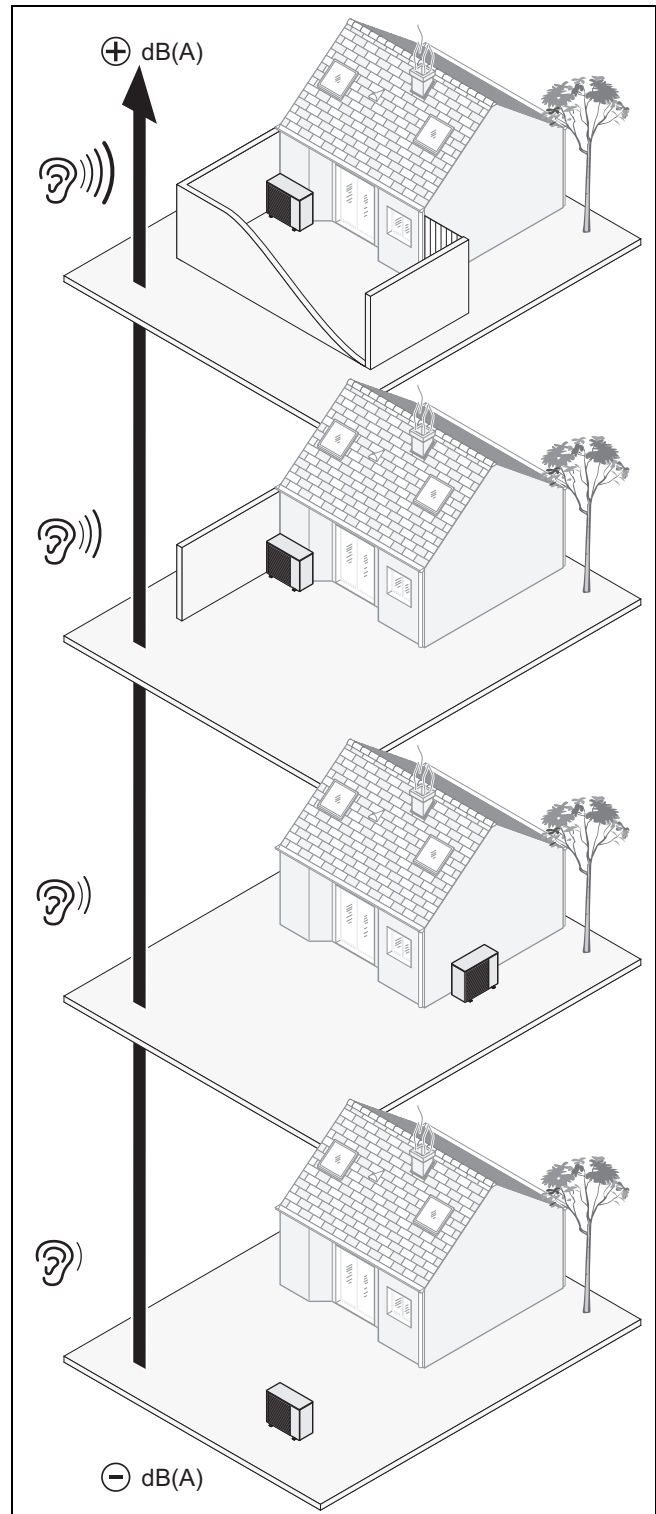
- ▶ To guarantee sufficient air flow and to facilitate maintenance work, observe the minimum clearances that are specified above.
- ▶ Ensure that there is sufficient room to install the hydraulic lines.

- ▶ If the product is to be installed in areas where heavy snow falls, ensure that the snow does not accumulate around the product and that the minimum clearances specified above are observed. If you cannot ensure this, install an additional heat generator in the heating circuit. A raised base is available as an accessory. In order to adapt the product to higher levels of snow, only use the Vaillant raised base.

5.1.3.2 Selecting the installation site



- ▶ Observe all valid regulations.
- ▶ Install the product outside the building.
- ▶ Do not install the product:
 - Near a heat source,
 - Near flammable materials,
 - Near ventilation openings for adjacent buildings,
 - Under deciduous trees.
- ▶ Note the following points when installing the product:
 - Prevailing winds,
 - The visual impression on the environment
- ▶ Avoid places where strong winds blow on the product's air outlet.
- ▶ Point the fan away from nearby windows. Install noise protection if necessary.
- ▶ Install the product on one of the following supports:
 - Concrete slab,
 - Steel T-beam,
 - Concrete block,
 - Elevating socket (Vaillant accessory),
- ▶ Do not expose the product to dusty or corrosive air (e.g. near unsecured streets).
- ▶ Do not install the product near ventilation shafts.
- ▶ Prepare the routing for the electrical wires.



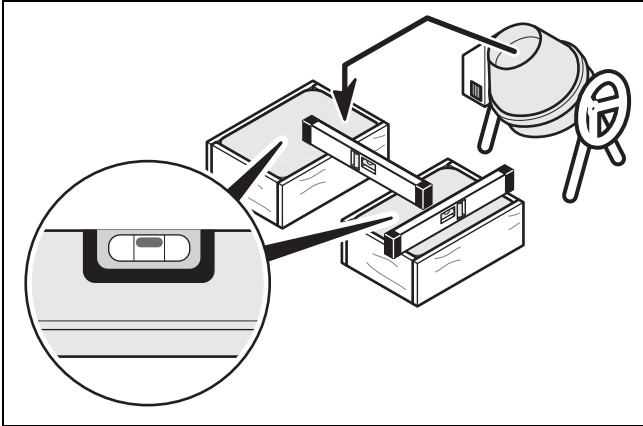
- ▶ Note any noise emissions from the fan and compressor.

5 Assembly and installation

5.1.3.3 Installing the heat pump

- ▶ Note the safety warnings in these instructions and in the operating instructions before installing the product.
- ▶ Install the product on steel beams, concrete blocks or using a wall bracket (accessory).
- ▶ Ensure that no water collects under the product.
- ▶ In order to avoid ice formation, ensure that the ground in front of the product can absorb water well.

5.1.3.4 Preparing the condensate discharge



Danger!

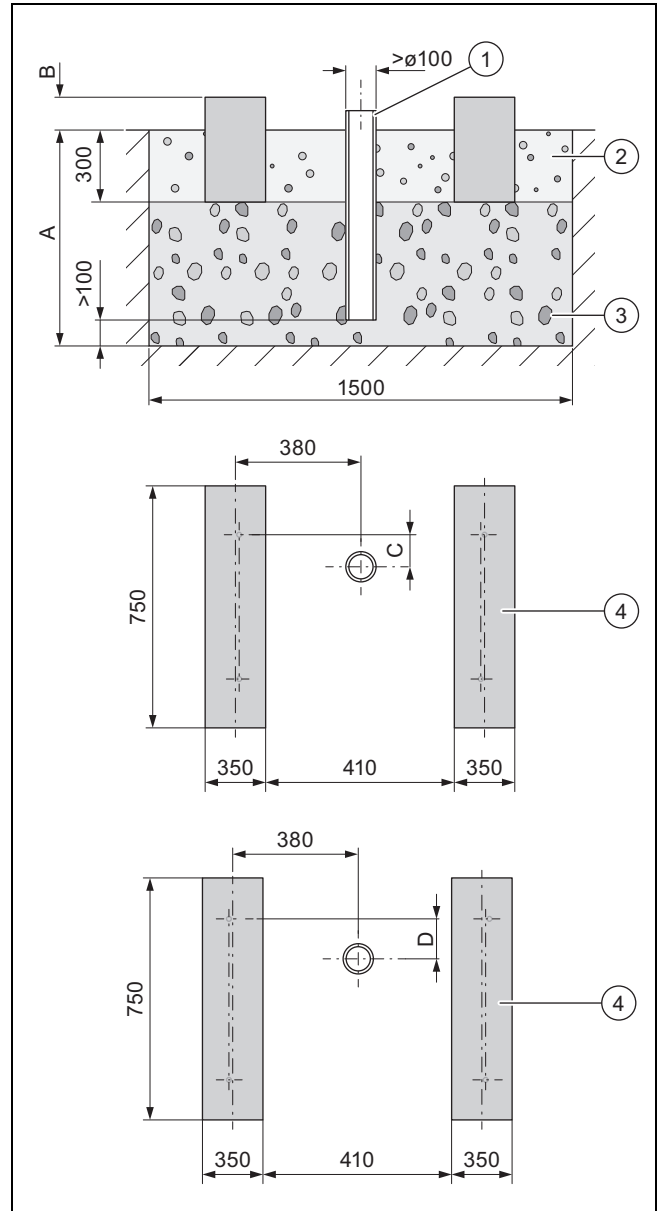
Risk of injury due to frozen condensate.

Frozen condensate on paths may cause falls.

- ▶ Ensure that condensate does not discharge onto paths and that ice cannot build up there.

The condensate is discharged centrally underneath the product.

The condensate is heated inside the product and routed into the condensate discharge.



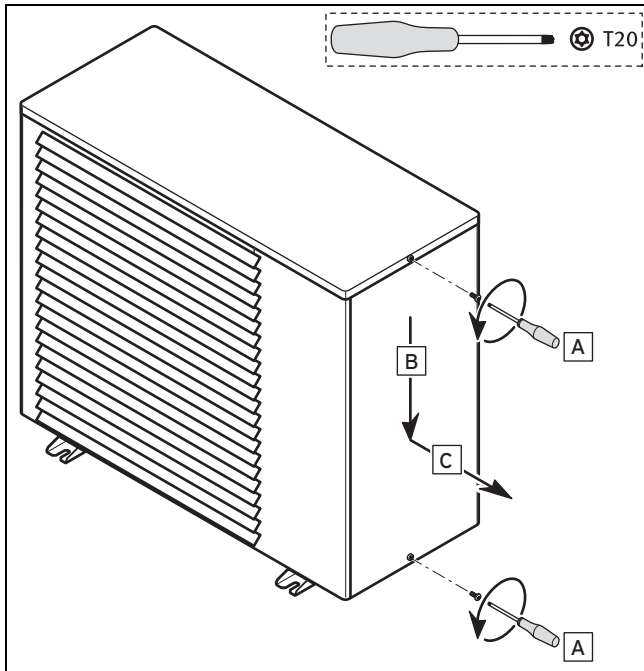
- ▶ Dig a hole in the ground. The recommended dimensions can be found in the figure and the table.

aroTHERM VWL 55	C	70
aroTHERM VWL 85 - 155	D	102

- ▶ Insert a downpipe **(1)** (diversion of the condensate).
- ▶ Add a layer of coarse rubble **(2)** (water-permeable, frost-free foundation). Calculate the depth **(A)** in accordance with local conditions.
 - Minimum depth: 900 mm
- ▶ Calculate the height **(B)** in accordance with local conditions.
- ▶ Create two concrete strip foundations **(4)**. The recommended dimensions can be found in the figure.
- ▶ Place a gravel bed **(2)** between and beside the strip foundations (for condensate drainage).

5.2 Carrying out the installation

5.2.1 Removing the side casing



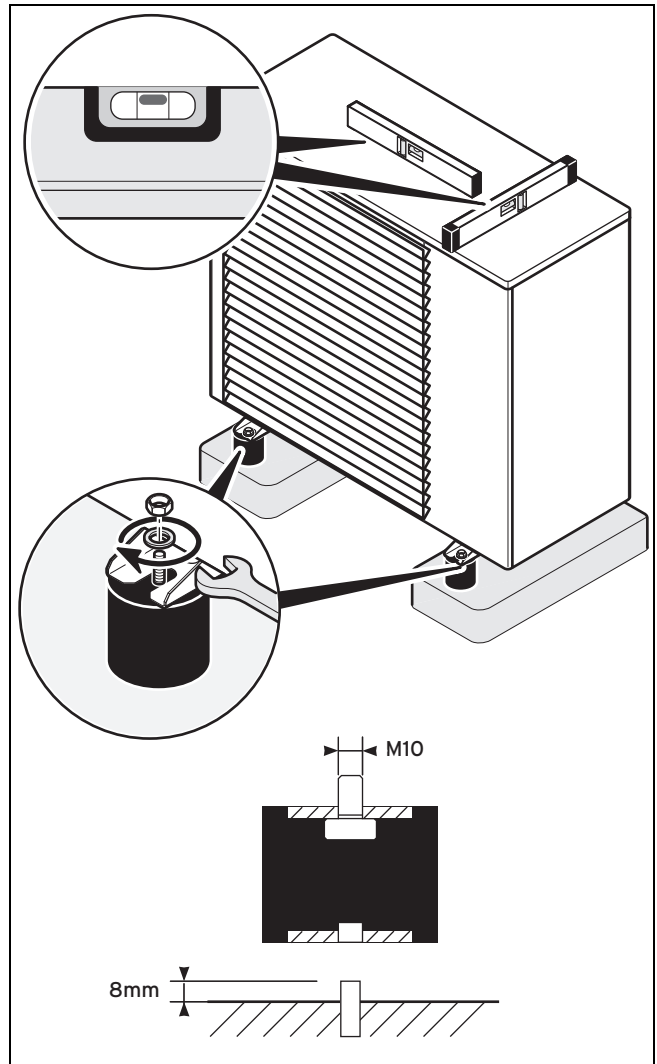
1. Remove both screws.
2. Pull the side casing downwards and then forwards.



Note

Note that the required tool is not included in the scope of delivery.

5.2.2 Aligning the product



1. Align the product horizontally so that condensate can flow.



Note

The product must be installed with the vibration-isolating feet supplied. The product is lifted by the vibration-isolating feet, which simplifies the condensate-discharge process and reduces vibrations.

2. Screw in the vibration-damping feet using the concrete foundation.
 - Screw length: $\leq 8 \text{ mm}$



Note

The concrete foundation must not be joined to the house foundations.

5 Assembly and installation

5.3 Hydraulics installation

In heating installations that are equipped primarily with thermostatic or electrically controlled valves, a constant and sufficient flow through the heat pump must be ensured. Irrespective of which heating installation is selected, the minimum volume of circulating heating water (40% of the nominal flow, see the technical data table) must be guaranteed.

5.3.1 Carrying out the hydraulics installation



Caution.

Risk of material damage caused by residues in the pipelines.

Welding remnants, sealing residues, dirt or other residues in the pipelines may damage the product.

- ▶ Flush the heating installation thoroughly before installing the product.



Caution.

Risk of material damage due to corrosion.

If plastic pipes that are not diffusion-tight are used in the heating circuit, this may lead to corrosion and deposits in the heating circuit and in the product.

- ▶ Do not treat the water with corrosion protection agents if plastic pipes that are not diffusion-tight are used.



Danger!

Risk of material damage caused by soldering work.

Carrying out soldering work on lines that have already been installed may damage the seals.

- ▶ Solder the lines before installing the product.

1. Insulate the lines (including those running below ground) with UV-resistant and high-temperature-resistant insulation between the product and the heating installation.
2. In order to avoid transferring vibrations to the surrounding buildings, use flexible connection pipes on the product that have a length of at least 0.75 m.
3. When the product is not installed at the highest point in the heating circuit, install additional purging valves in places where air can collect (elevated points in the system).
4. Install all of the safety-relevant hydraulic components.



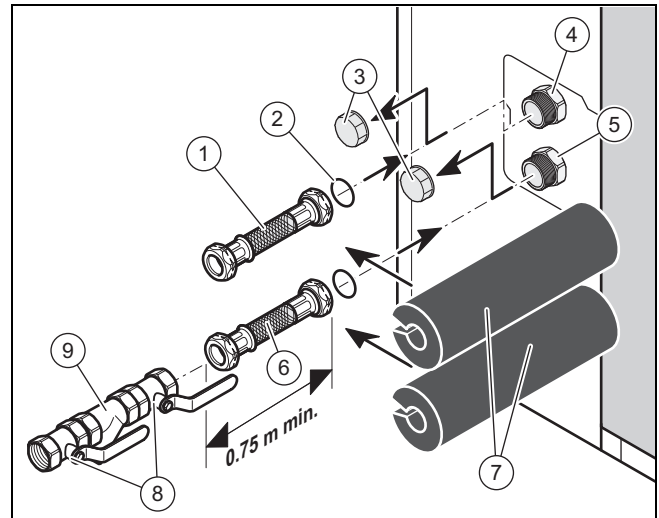
Note

If you use glycol, you must collect it at the expansion relief valve to prevent environmental pollution.



Note

Improper purging of the heating circuit may cause pump faults due to a low flow rate (F.532).



- | | | | |
|---|---|---|--|
| 1 | Connection hose in the heating flow to the building (on-site) | 5 | Heating return connection (diameter 1 1/4") to the heat pump |
| 2 | O-ring seal | 6 | Connection hose in the heating return to the heat pump (on-site) |
| 3 | Covering cap | 7 | Insulation (on-site) |
| 4 | Heating flow connection (diameter 1 1/4") to the building | 8 | Stop valve |
| | | 9 | Dirt filter |

5. Remove the covering caps (3) from the product's hydraulic connections.
6. Install a dirt filter (9) in the heating circuit return between two isolation valves (8) so that the filter can be cleaned regularly.
7. Install a flexible connection pipe (1) and (6) (to be provided on-site) with an O-ring and an isolation valve to each of the connections for the heat pump heating flow and return.
8. Check the connections for tightness.

5.3.2 Connecting the swimming pool (optional)



Danger!

Risk of material damage due to a direct connection to a swimming pool.

If the product is directly connected to a swimming pool, damage may be caused by corrosion.

- ▶ Do not connect the heat pump heating circuit directly to a swimming pool.

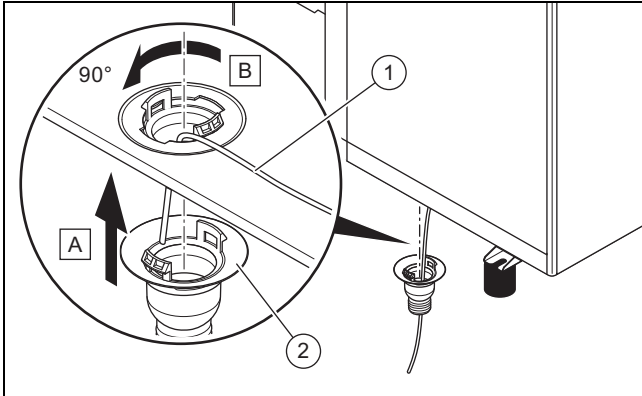
- ▶ If you want to connect a swimming pool to the heating circuit, note the components (expansion vessels, etc.) that are required for the installation.

5.3.3 Connecting the condensate discharge pipe



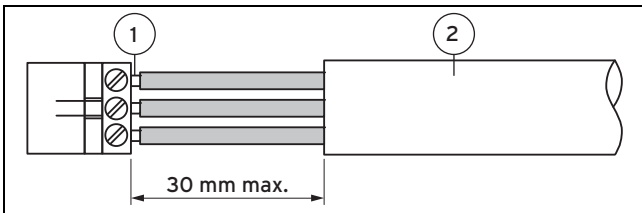
Note

Observe all valid national regulations and rules.
Use the supplied elbow only in frost-free regions.
Observe the maximum condensate discharge hose length of 365 mm.



1. Connect the condensate discharge tundish (2) to the product's floor plate, and secure this in place by turning it by a 1/4 rotation.
2. Slide the heating wire (1) through the condensate discharge tundish.
3. Ensure that the condensate discharge tundish is positioned in the centre above the downpipe. See dimension drawing (→ Page 12).

5.4 Carrying out the electrical installation



- 1 Connecting wires
- 2 Insulation



Danger!

Risk of death from electric shock as a result of an improper electrical connection!

An improper electrical connection may negatively affect the operational safety of the product and result in material damage or personal injury.

- ▶ The electrical installation must be carried out by a suitably qualified competent person who is responsible for complying with the existing standards and directives.

1. Only strip a maximum of 3 cm from the outer sheathing of the flexible lines.
2. Secure the conductors in the connection terminals.

5.4.1 Establishing the power supply

The external mains connection cable must be earthed and connected with the correct polarity and in accordance with the valid regulations.

- ▶ Check that the mains connection cable is connected correctly.

The cables that connect the product to the fuse box must:

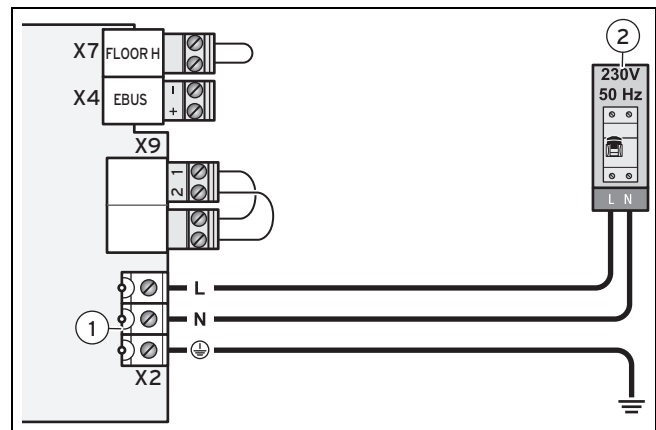
- Be suitable for fixed installation,
- Be weatherproof,
- Be equipped with a wire cross-section that is necessary for the product performance.
- ▶ Connect the product using a fixed connection and a partition with a contact opening of at least 3 mm (e.g. fuses or power switches).

In order to meet the overvoltage category II requirements, further fuse protection may be required.

To meet the overvoltage category III conditions, the partitions must ensure a complete separation of the power supply.

5.4.2 Standard tariff

5.4.2.1 230 V connection



- 1 Mains connection terminal in the product
- 2 Partition



Caution.

Risk of material damage due to high connected voltage.

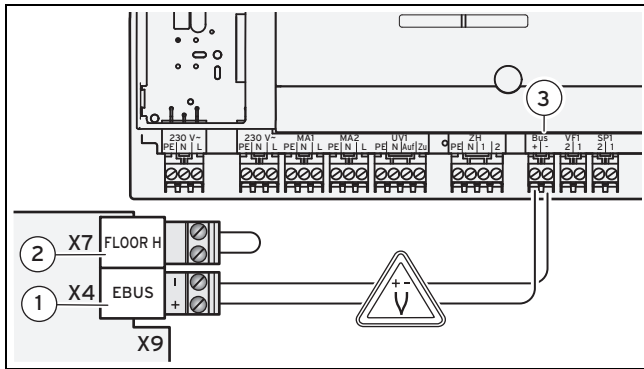
At mains voltages greater than 253 V, electronic components may be damaged.

- ▶ Ensure that the nominal voltage of the mains is 230 V (+10%/-14%) ~50 Hz.

- ▶ Connect the power supply cable to the power supply connection for the product.
- ▶ If it is stipulated for the installation site, for the product, install a universal-current-sensitive type B residual-current circuit breaker.
- ▶ Guide the power supply cable through the product's grommet (PEG screwed connection).

6 Start-up

5.4.3 Laying the 24 V cabling



- 1 eBUS connection in the heat pump (observe the polarity)
 - 2 Limit thermostat connection (underfloor protective circuit)
 - 3 eBUS connection in the VWZ AI heat pump control module or in the hydraulic station
1. Feed the cable through the cable duct.

	VWL 55/3 A 230 V VWL 85/3 A 230 V
Recommended eBUS cable dimension	2 x 0.75 mm ²
Recommended cable dimension for eBUS + limit thermostat	4 x 0.75 mm ²

2. Connect the eBUS cable to the system controller.
3. If you install a limit thermostat (e.g. 50 °C) in the heating circuit flow, remove the bridge from terminal (2) and connect the limit thermostat to this terminal.

5.4.4 Installing the grommet

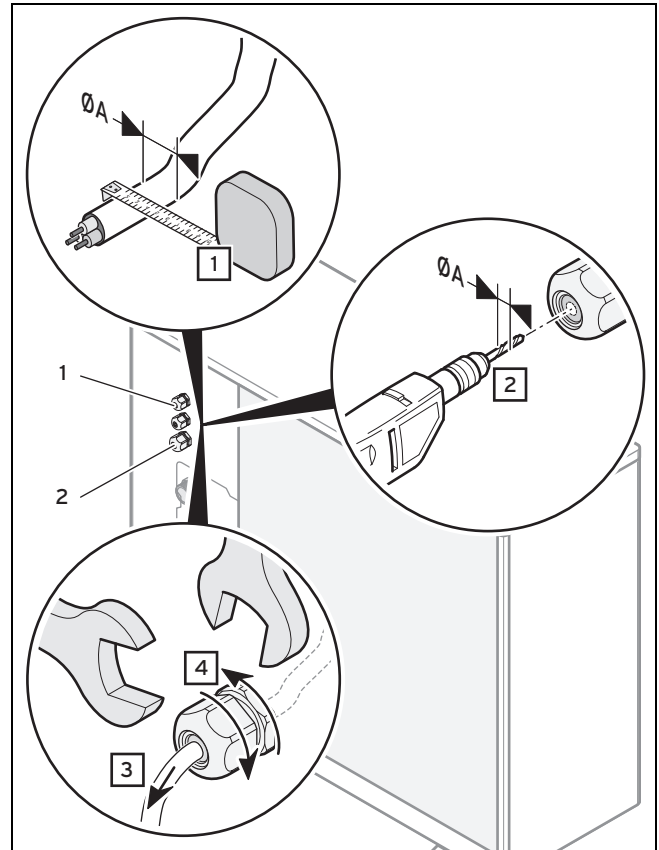


Caution.

Risk of malfunction due to incorrect routing of the supply lines.

If you route the supply lines for the power supply and the eBUS line through the same cable duct, the signal will be disrupted.

- ▶ Route the supply lines for the power supply and the eBUS line through various cable ducts in the product.



- 1 eBUS line and limit thermostat line grommet
- 2 Power supply grommet

1. Measure the diameter of the cable.
2. Drill a hole the same size as the cable diameter in the grommet.
3. Route the cable through the grommet.
4. Tighten the grommet with two open-ended spanners.

6 Start-up

6.1 Run the start-up

1. Before starting up the product, read through the operating instructions.
2. Check that the electrical partition is installed.
3. Check that the hydraulic and electric connections are correctly designed.
4. Check that a dirt filter is installed in the heat pump return.
5. Check whether an expansion relief valve, an expansion vessel and a pressure gauge are installed.
6. Check the leak-tightness of the connections.
7. Open all the heating circuit valves.

6.2 Heat pump operating concept



Caution.

Risk of material damage caused by incorrect handling.

Incorrect settings at installer level may cause damage to the heating installation.

- ▶ Only access the installer level if you are an approved competent person.

The operating concept and operation of the heat pump is described in the operating instructions for the heat pump.



Note

Path details at the start of a section specify how to access this function in the user interface for the heat pump control interface module, e.g. **Menu → Information → Contact details.**

Menu → Installer level

- You can call up the installer level using code 17.

6.3 Running through the installation assistant

The installation assistant is launched when the heat pump is switched on for the first time.

You must confirm the launching of the installation assistant. Once confirmed, all heat demands from the heat pump are blocked. This status remains until the installation assistant is completed or cancelled.

- ▶ Set the basic system diagram number in the VWZ AI heat pump control interface module.

6.4 Calling up Live Monitor (checking status codes)

Menu → Live Monitor

- You can use this function to call up the status code of the heat pump, which provides you with information about the current operating condition of the heat pump.

6.5 Calling up statistics

Menu → Installer level → Test menu → Statistics

- You can use this function to call up the statistics for the heat pump.

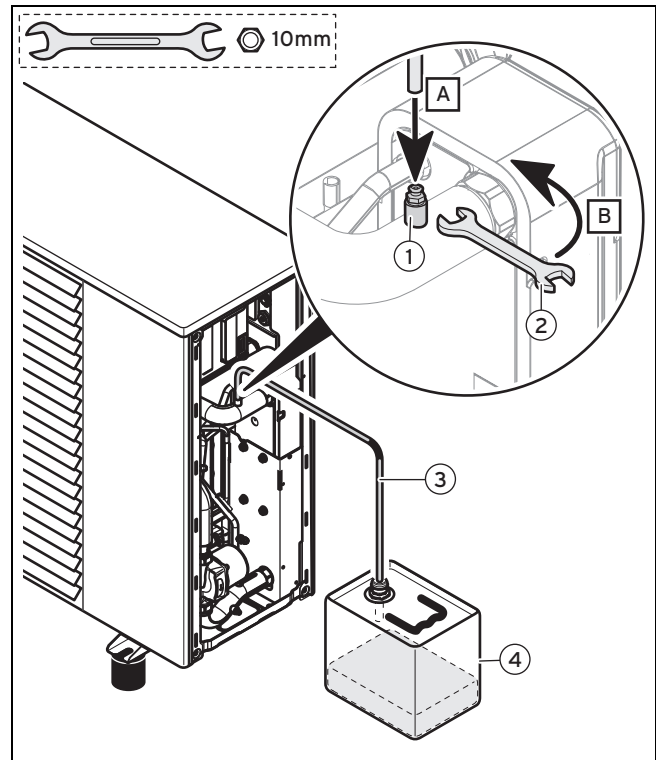
6.6 Filling the heating circuit



Note

We recommend using ethylene glycol with corrosion-inhibiting additives.

If no frost protection has been poured in, the product will not be protected in the event of a power cut when there is frost.



- | | | | |
|---|-------------------------------|---|--------------------------------|
| 1 | Heating circuit purging valve | 4 | Collecting container (on-site) |
| 2 | Open-end spanner (on-site) | | |
| 3 | Hose | | |

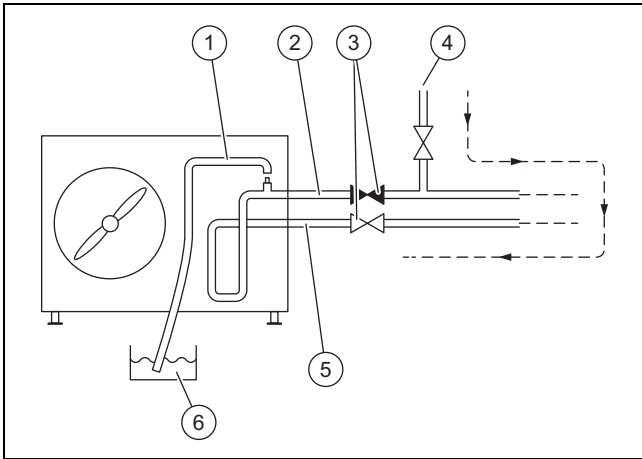
1. Purge the heating circuit during the filling process, see Purging the heating circuit (→ Page 20).
2. Connect one end of the hose (3) to the heating circuit's purging valve (1).
3. During the purging process, insert the other end of the hose (3) into the collecting vessel (4).
4. Open the heating circuit's purging valve (1) with an open-ended spanner (2).
 - Working materials: SW10 open-end spanner
5. To purge the heating circuit, open the heating circuit's purging valve (1) by a 1/4 rotation (B) using an open-ended spanner.
6. Increase the operating pressure in the heat pump heating circuit.
 - Operating pressure: 0.15 to 0.2 MPa (1.50 to 2.0 bar)



Note

The pressure level may fall in the first month following start-up. It may also vary depending on the outdoor temperature.

6 Start-up



- | | | | |
|---|--------------|---|----------------------|
| 1 | Drain hose | 4 | Water/glycol supply |
| 2 | Heating flow | 5 | Heating return |
| 3 | Stop valve | 6 | Collecting container |

7. Close the stopcock in the heating flow.
8. Fill the heating circuit via the heating return.
 - ◀ Air collects at the purging valve.

Condition: If you are using glycol

- ▶ The glycol must not escape into the outflow or the environment.
- ▶ Prepare a mixture with suitable glycol (max. 50% ethylene glycol) in order to protect the heat pump against frost according to the regional minimum temperatures.



Note

If no frost protection has been poured in, the product will not be protected in the event of a power cut when there is frost.

- ▶ Use a refractometer tester to ensure the correct dosage.

6.7 Checking and treating the heating water/filling and supplementary water



Caution.

Risk of material damage due to poor-quality heating water

- ▶ Ensure that the heating water is of sufficient quality.

- ▶ Before filling or topping up the installation, check the quality of the heating water.

Checking the quality of the heating water

- ▶ Remove a little water from the heating circuit.
- ▶ Check the appearance of the heating water.
- ▶ If you ascertain that it contains sedimentary materials, you must desludge the installation.
- ▶ Use a magnetic rod to check whether it contains magnetite (iron oxide).
- ▶ If you ascertain that it contains magnetite, clean the installation and apply suitable corrosion-inhibition measures, or fit a magnetic filter.
- ▶ Check the pH value of the removed water at 25 °C.

- ▶ If the value is below 8.2 or above 10.0, clean the installation and treat the heating water.
- ▶ Ensure that oxygen cannot get into the heating water.

Checking the filling and supplementary water

- ▶ Before filling the installation, measure the hardness of the filling and supplementary water.

Treating the filling and supplementary water

- ▶ Observe all applicable national regulations and technical rules when treating the filling and supplementary water.

Provided the national regulations and technical rules do not stipulate more stringent requirements, the following applies:

You must treat the heating water in the following cases

- If the entire filling and supplementary water quantity during the operating life of the system exceeds three times the nominal volume of the heating installation, or
- If the guideline values listed in the following table are not met, or
- If the pH value of the heating water is less than 8.2 or more than 10.0.

Total heating output	Water hardness at specific system volume ¹⁾					
	≤ 20 l/kW		> 20 l/kW ≤ 50 l/kW		> 50 l/kW	
kW	ppm CaCO ₃	mol/m ³	ppm CaCO ₃	mol/m ³	ppm CaCO ₃	mol/m ³
< 50	< 300	< 3	200	2	2	0.02
> 50 to ≤ 200	200	2	150	1.5	2	0.02
> 200 to ≤ 600	150	1.5	2	0.02	2	0.02
> 600	2	0.02	2	0.02	2	0.02

1) Nominal capacity in litres/heating output; in the case of multi-boiler systems, the smallest single heating output is to be used.



Caution.

Risk of material damage if the heating water is treated with unsuitable additives.

Unsuitable additives may cause changes in the components, noises in heating mode and possibly subsequent damage.

- ▶ Do not use any unsuitable antifreeze and corrosion inhibitors, biocides or sealants.

No incompatibility with our products has been detected to date with proper use of the following additives.

- ▶ When using additives, follow the manufacturer's instructions without exception.

We accept no liability for the compatibility of any additive or its effectiveness in the rest of the heating system.

Additives for cleaning measures (subsequent flushing required)

- Adey MC3+
- Adey MC5
- Fernox F3
- Sentinel X 300
- Sentinel X 400

Additives intended to remain permanently in the installation

- Adey MC1+
- Fernox F1
- Fernox F2
- Sentinel X 100
- Sentinel X 200

Additives for frost protection intended to remain permanently in the installation

- Adey MC ZERO
 - Fernox Antifreeze Alpha 11
 - Sentinel X 500
- ▶ If you have used the above-mentioned additives, inform the end user about the measures that are required.
- ▶ Inform the end user about the measures required for frost protection.

6.8 Filling the heating installation



Caution.

Risk of material damage due to heating water that is extremely calciferous or corrosive or contaminated by chemicals.

Unsuitable tap water damages the seals and diaphragms, blocks components in the product and heating installation through which the water flows and causes noise.

- ▶ Only fill the heating installation with suitable heating water.



Note

If a heat exchanger module is used, the heating circuit must be topped up with heating water.

Condition: System separation with a heat exchanger module

- ▶ Connect the filling tap with the heating water supply using a cold water tap where possible.
- ▶ Open all radiator valves (thermostatic valves) of the heating installation.
- ▶ Open the cold water tap.
- ▶ Slowly open the filling tap.
- ▶ Fill it with water until the required filling pressure is reached.
- ▶ Close the cold water tap.
- ▶ Purge all radiators.
- ▶ Start the purging programme using the P10 and P11 test programmes (→ Page 24).
- ▶ Then check the filling pressure on the display.
- ▶ Top up with more water if necessary.
- ▶ Close the filling tap.

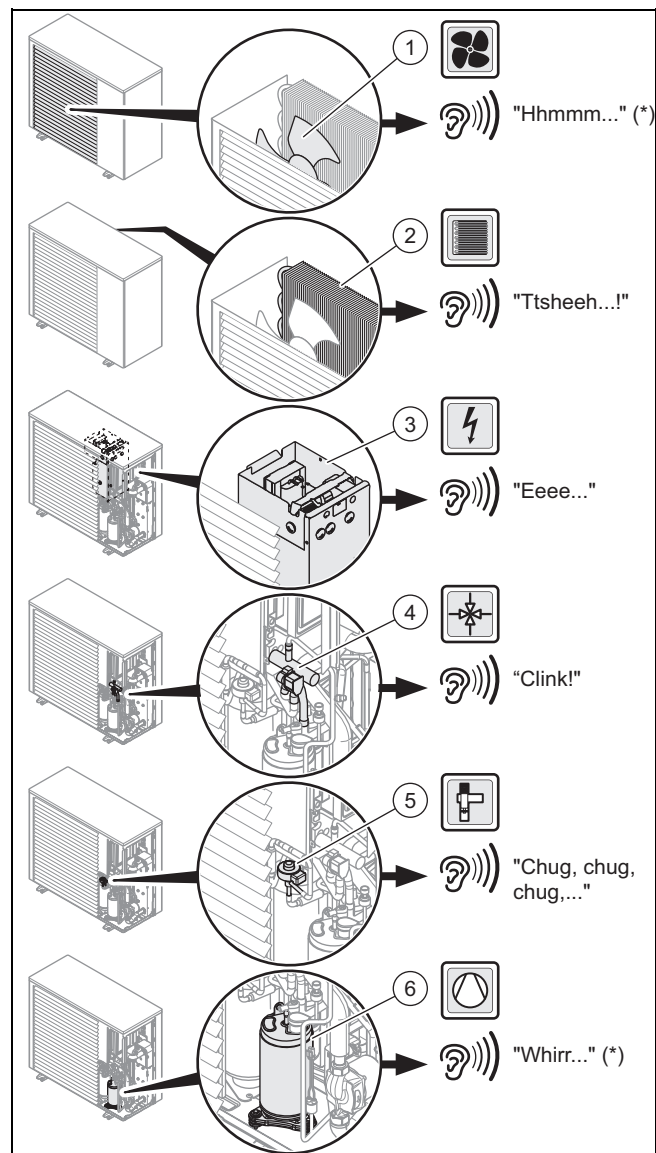
6.9 Activating the heat pump

1. Ensure the maximum flow temperature setting matches the heating installation.
2. To fully activate the heating installation, observe the installation instructions for the system controller.
3. Switch on the line protection switch in the fuse box which is connected to the heat pump.

6.10 Checking the product's operation

1. Ensure that the external control equipment (thermostats, external sensors, etc.) are sending a heating demand to the heat pump. When configuring several areas, test heating circuit by heating circuit and ensure that the appropriate heating circuit gets warmer.
2. Ensure that all heating circuit thermostatic radiator valves are open.
3. If necessary, balance the heat generator.

6.11 Operating noises



* Permanent operating noises

The noises listed do not constitute a fault with the heat pump.

6 Start-up

In various operating modes, the noises come from the heat pump (Start, Thawing, Stop).

6.12 Adjusting the heating circuit

6.12.1 Purge the heating circuit

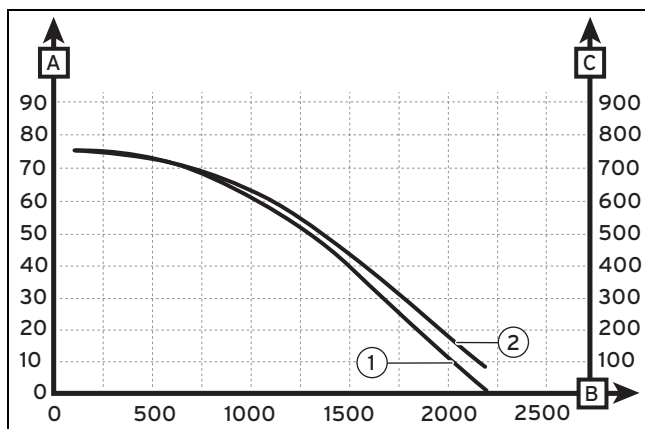
1. Connect one end of the hose to the purging valve.
2. In order to collect the residual glycol when purging the heating circuit, insert the other end of the hose into the mixing container.
3. Close the isolation valves on the back of the product.
4. Increase the pressure in the heating circuit.
5. Open the purging valve with an open-ended spanner.
 - Working materials: SW10 open-end spanner
6. Open the lower isolation valve on the back of the product.
7. If liquid escapes from the pipe, close the purging valve.
8. Repeat the work steps for all hydraulic circuits by changing the direction of the 3-port diverter valve.
9. Check the pressure in the heating circuit. If necessary, increase it.
 - Operating pressure: 0.15 to 0.2 MPa (1.50 to 2.0 bar)
10. Open the service valves on the back of the product.
11. Remove the hose and the mixing container.



Note

The system control has a purging function. The purging function can be started via the heat pump control interface module. Within 15 minutes, the pumps are switched on for a period of 30 seconds and switched off again (30 seconds).

6.12.1.1 Available pressure in the heat pump heating circuit



- | | | | |
|---|---|---|-------------------------------|
| 1 | VWL 55/3 A 230 V
(water temperature 20 °C) | A | Remaining feed head
(kPa) |
| 2 | VWL 85/3 A 230 V
(water temperature 20 °C) | B | Flow rate (l/h) |
| | | C | Remaining feed head
[mbar] |

6.12.2 Adjusting the heating circuit flow rate



Caution.

Risk of material damage due to frost

If the minimum flow rate is too low, the heat exchanger may become damaged by frost.

- ▶ Operate the product with a sufficient flow rate (see table).

The product is designed for operation between the minimum flow rate and maximum flow rate, as specified in the table. If the product is operated with the minimum flow rate, this results in a loss of energy and efficiency. The heating comfort is still guaranteed but the energy savings are reduced.

	VWL 55/3	VWL 85/3
Minimum flow rate	380 l/h	380 l/h
Maximum flow rate	860 l/h	1,400 l/h

You can read the flow rate directly from the controller. Depending on the type of liquid in the heating circuit, the flow rate displayed on the controller may be exaggerated.

Example: If you use a 30% mixture of propylene glycol and the liquid temperature is 5 °C, you must subtract 400 l/h from the value shown on the display.

- ▶ Use the following table to compare the various exaggeration flow rate values depending on liquid type.

- Applies for: VWL 55/3 A 230 V,
VWL 85/3 A 230 V

Flow rate increase (l/h)	Liquid type	Temperature 5 °C	Temperature 15 °C	Temperature 25 °C
		Water	0	0
	60% alcohol	0	0	0
	30% propylene glycol	400	240	120
	50% propylene glycol	650	500	400
	30% ethylene glycol	120	0	0
	50% ethylene glycol	400	140	50



Note

Insufficient purging may lead to deviations in the flow rate.

- ▶ If you cannot reach the minimum flow rate, install an additional pump.
- ▶ If you cannot reach the recommended flow rate, adjust the heating circuit pressure on the controller and, if necessary, use a bypass valve (item 50).

6.12.3 Adapting the unit to the heating installation

The installation assistant is launched when the product is switched on for the first time.

If you have already filled the heating installation and terminated the installation assistant, but want to set the most im-

portant system parameters again, you can also call up the **Configuration** menu item.

Menu → Installer level → Configuration

6.12.3.1 Heat pump setting parameters

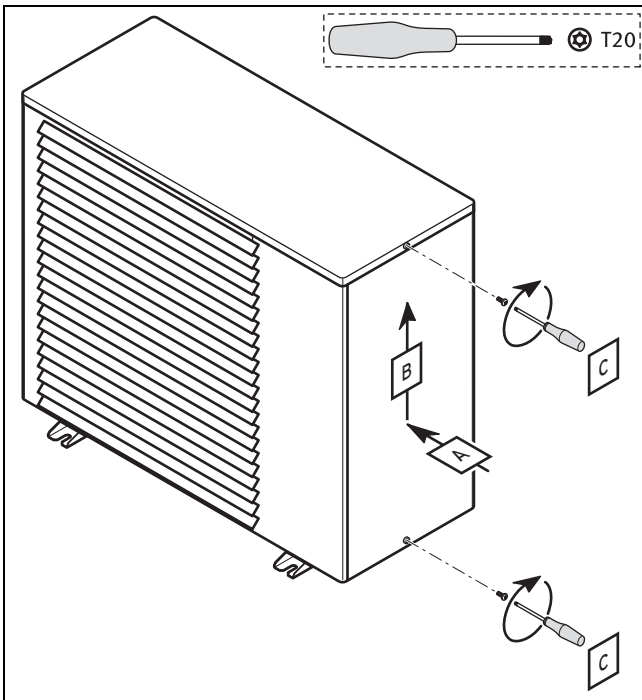
To individually set the heat pump, you can adjust certain parameters in the **Configuration** menu.

Menu → Installer level → Configuration

Additional setting data is listed in the appendix.

Heat pump setting parameters (→ Page 27)

6.13 Installing the side casing



- ▶ Install the side casing.

6.14 Instructing the end user

- ▶ Explain the how the system operates to the operator.
- ▶ Draw particular attention to the safety warnings, which the end user must follow.
- ▶ Make the end user aware of the need for regular maintenance (maintenance contract).
- ▶ Explain to the end user how to check the system's water volume/filling pressure.

7 Maintenance

7.1 Observing maintenance intervals

- ▶ Only carry out maintenance work if you are a competent person.
- ▶ Carry out annual maintenance.

7.2 Preparing for maintenance

7.2.1 Procuring spare parts

The original components of the unit were also certified as part of the CE declaration of conformity. Information about available Vaillant genuine spare parts is available by contacting the contact address provided on the reverse of this document.

- ▶ If you require spare parts for maintenance or repair work, use only Vaillant genuine spare parts.

7.3 Instructions before carrying out maintenance work

Observe the basic safety rules before carrying out maintenance work or installing spare parts.



Danger!

Risk of injury due to unauthorised access to the refrigerant circuit.

Escaping refrigerant may cause freezing if the exit point is touched.

- ▶ Only carry out work on the refrigerant circuit if you have been trained to do so and if you have the required protective clothing.
- ▶ Avoid skin and eye contact with the refrigerant.

- ▶ Switch the system off.
- ▶ Disconnect the system from the power supply.
- ▶ Where necessary, disconnect the heating circuit from the product by using the isolation valves.
- ▶ If you must replace parts on the heating circuit, drain the product.
- ▶ When working on the product, protect all electric components from spraying water.

7.4 Yearly maintenance

- ▶ Check that the safety devices are functioning properly.
- ▶ Check the heating circuit's filling pressure.
- ▶ Ensure that there are no traces of rust or oil on the refrigerant circuit components.
- ▶ Ensure that the product components are neither worn nor defective.
- ▶ Check that all wires sit securely in the connection plugs.
- ▶ Check the product's earthing.
- ▶ Check the heating pump's flow temperature and the set values.
- ▶ Remove any dust from the electronics box and the inverter box.
- ▶ Clean the ribbed pipe heat exchanger and ensure that air circulates between the fins and around the product.

7 Maintenance

- ▶ Check that the fan rotates freely.
- ▶ Check that condensate can escape freely from the heat pump by removing the adapter underneath the heat pump.
- ▶ Clean the product as described in the operating instructions.
- ▶ Check that the vibration dampers are correctly seated on the refrigerant pipes.

7.5 Cleaning the product

7.5.1 Cleaning the front

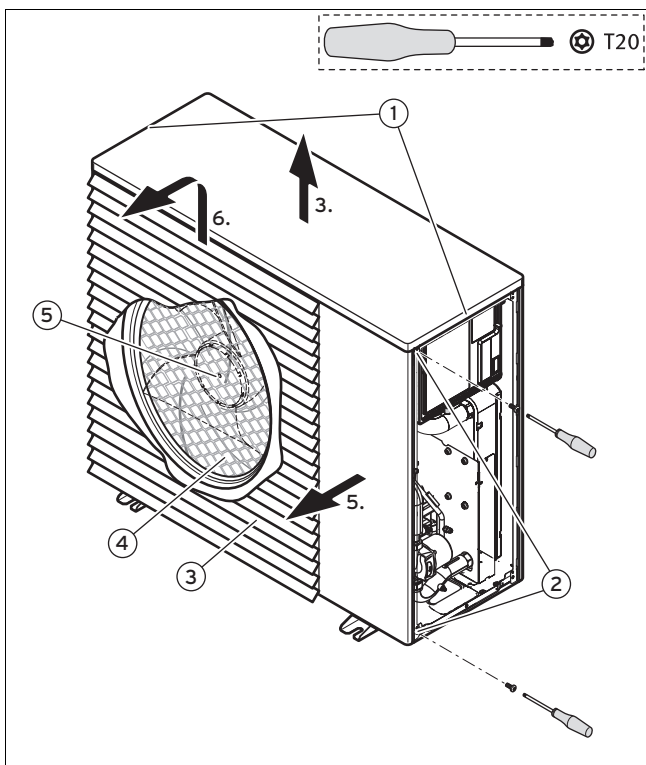


Warning.

Risk of injury due to sharp-edged casing.

The product's casing sections have sharp edges.

- ▶ Wear gloves when installing or dismantling the product's casing sections.



1. Remove the side casing. (→ Page 13)
2. Remove both screws (1).
3. Lift off the cover.
4. Remove both screws (2) on the right front casing.
5. Remove the right front casing.
6. Lift the louvred grill (3) upwards.
7. Remove the fan grill casing (4).
8. Remove the nut (5) from the fan.
9. Remove the fan.
10. Clean the product and the finned-pipe heat exchanger.

7.5.2 Cleaning the back

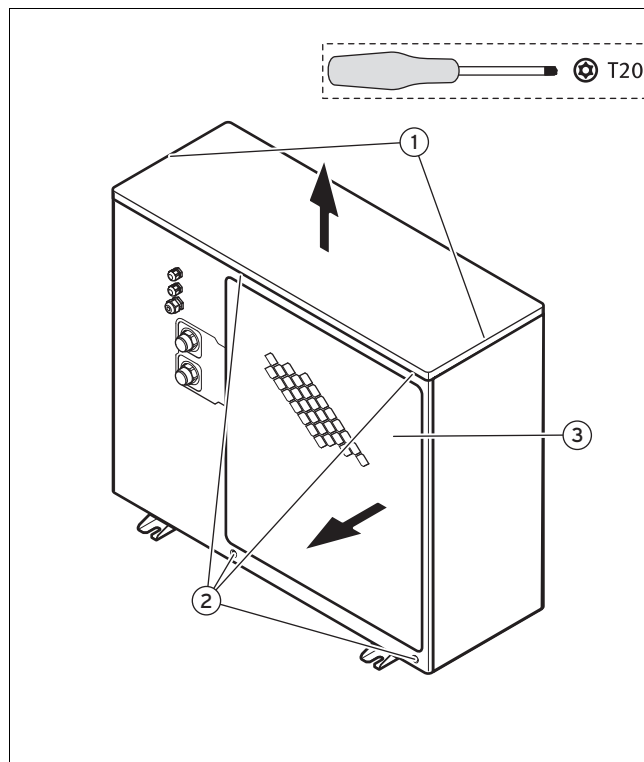


Warning.

Risk of injury due to sharp-edged casing.

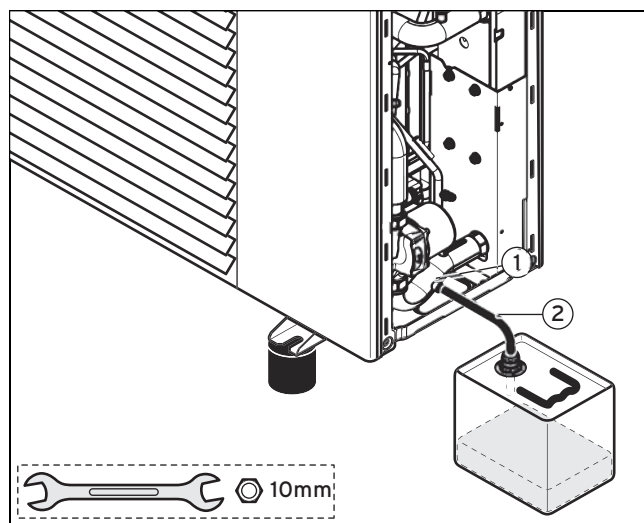
The product's casing sections have sharp edges.

- ▶ Wear gloves when installing or dismantling the product's casing sections.



1. Remove the side casing. (→ Page 13)
2. Remove both screws (1).
3. Lift off the cover.
4. Remove the four screws (2) and remove the mesh (3).
5. Clean the product.

7.6 Draining the product



1 Heating circuit drain cock

2 Drain hose

1. Disconnect the product from the power supply.
2. Close the isolation valves on the back of the heat pump.
3. To drain the heating circuit, connect a hose to the drain cock or place a vessel underneath the drain cock.
 - Working materials: SW10 open-end spanner
4. Open the drain cock with an open-ended spanner.



Note

If necessary, you can drain the heating installation using this drain cock by opening the isolation valves on the back of the heat pump.

7.7 Checking the product's status codes

Menu → Live Monitor

You can check the product's status codes at any time to see which mode the heat pump is in. You can read these codes on the display of the heat pump control interface module or hydraulic station.

Status codes (→ Page 28)

7.8 Checking the electrical installation

- ▶ Check the electrical installation and take all relevant directives into account.

Checking the cable

If the product's power supply cable is damaged, then, in order to avoid danger, only the manufacturer, the Customer Service team or a similarly qualified person should replace the power supply cable.

- ▶ To replace the power supply cable, see Carrying out the electrical installation (→ Page 15).

7.9 Start-up following maintenance

- ▶ After the maintenance work has been completed, start up the product – see Start-up (→ Page 16).
- ▶ If you have carried out work on load-bearing parts, check that they are securely fitted.
- ▶ When you have completed work on the product, carry out an operational and safety test.

8 Troubleshooting

8.1 Troubleshooting

You should carry out the following tests before introducing additional steps.

- ▶ Make absolutely sure that the power supply was not cut and that the product is correctly connected.
- ▶ Ensure that the service valves are open.
- ▶ Check that all external controls are correctly connected.

8.2 Fault codes

The fault codes are described in a table in the Appendix.

Fault codes (→ Page 32)

In the event of a fault, a fault code number is shown in the controller's display.

- ▶ Carry out all necessary repairs.
- ▶ Switch the product on/off using the partition.

8.3 Carrying out the actuator test

Menu → Installer level → Test menu → Sensor/actuator test

You can check that the components of the heating installation are functioning correctly using the sensor/actuator test.

Display	Test programme
T.0.01	Building circuit pump power
T.0.05	Fan power
T.0.07	4-way valve (circuits for thawing are not counted)
T.0.08	Position of the electronic expansion valve
T.0.09	Heating coil compressor
T.0.13	Flow temperature
T.0.14	Return temperature
T.0.16	Building circuit flow rate
T.0.17	Lockout contact S20
T.0.26	Compressor outlet temperature
T.0.27	Compressor inlet temperature
T.0.28	Electrical expansion valve – ambient temperature
T.0.29	Electronic expansion valve – building circuit temperature
T.0.30	High pressure
T.0.31	Condensation temperature
T.0.33	Evaporation temperature
T.0.34	Superheating target value
T.0.35	Superheating actual value
T.0.36	Subcooling actual value
T.0.66	Air inlet temperature
T.0.67	High-pressure switch
T.0.68	Compressor rotational speed
T.0.69	Condensate pan heating
T.1.37	Outside temperature
T.1.38	DCF status
T.1.59	Multi-function output 1
T.1.60	Multi-function output 2
T.1.61	Diverter valve 1
T.1.62	Flow sensor
T.1.63	Cylinder sensor
T.1.64	Multi-function input
T.1.65	Energy supply company input

9 Decommissioning

8.4 Carrying out check programmes

Menu → Installer level → Test programmes → Check programmes

You can use the check programmes to purge the circuits, carry out manual de-icing and check the product's primary function.

Display	Check programme
P01	Forced heating
P02	Forced cooling
P06	Manual de-icing
P10	Purging the heating circuit
P11	Purging the hot water circuit

9 Decommissioning

9.1 Temporary decommissioning

1. Switch off the product.
2. Disconnect the product from the power supply.

9.2 Permanently decommissioning

1. Switch off the product.
2. Disconnect the product from the power supply.
3. Drain the product. (→ Page 22)
4. Dispose of or recycle the product and its components.

10 Recycling and disposal

Disposing of the packaging

- ▶ Dispose of the packaging correctly.
- ▶ Observe all relevant regulations.
- ▶ For detailed information refer to www.vaillant.co.uk.

10.1 Arranging disposal of refrigerant



Warning.

Risk of damage to the environment.

This heat pump contains the refrigerant R 410 A. The refrigerant must not be allowed to escape into the atmosphere. R 410 A is a fluorinated greenhouse gas covered by the Kyoto Protocol, with a GWP of 2088 (GWP = Global Warming Potential).

- ▶ Before the product is disposed of, have the refrigerant which it contains completely drained into a suitable vessel so that it can then be recycled or disposed of in accordance with regulations.

The competent person who installed the heat pump must dispose of the refrigerant.

Personnel who are approved for energy recovery must have the relevant certification that corresponds to the valid regulations.

11 Customer service

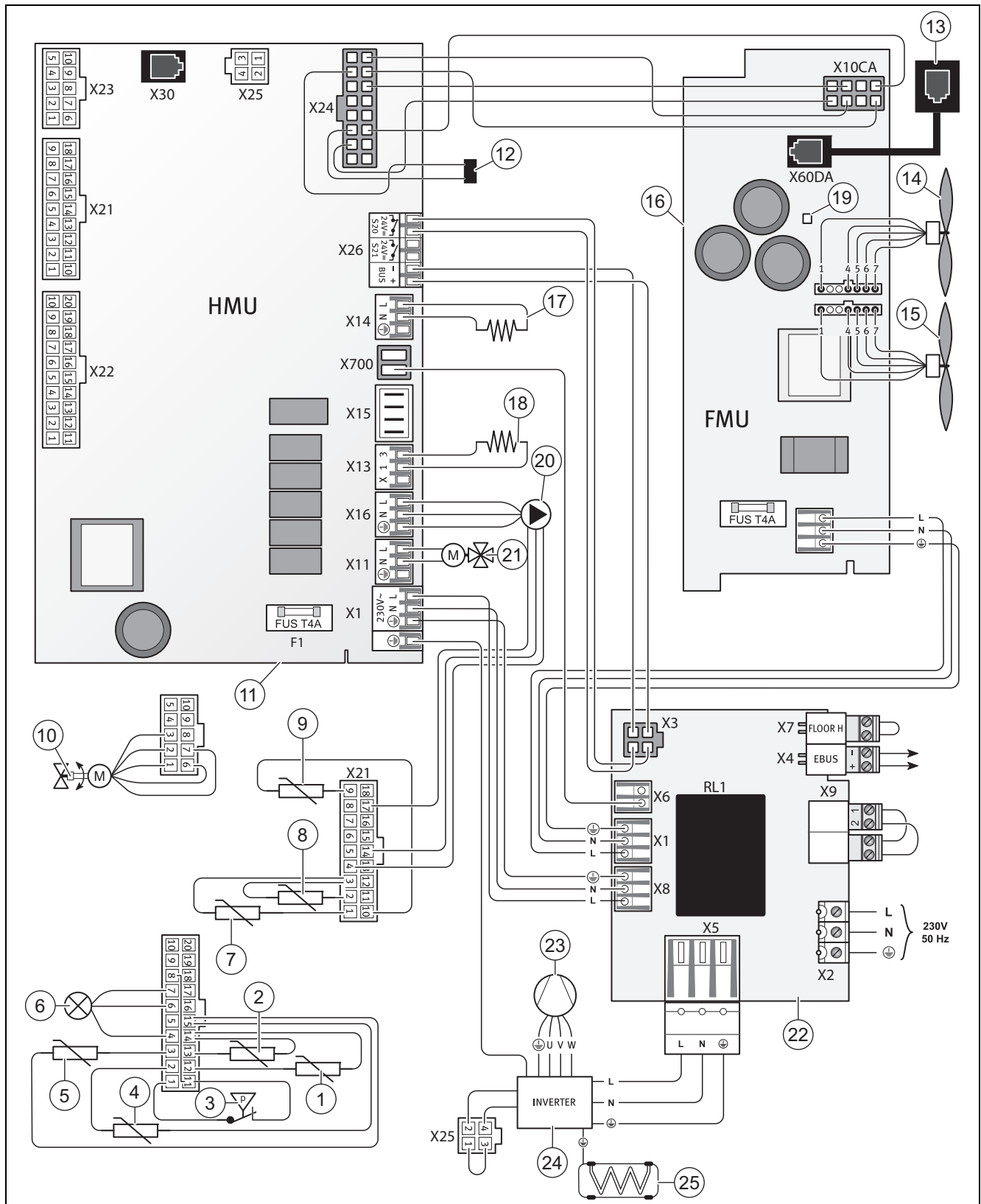
To ensure regular servicing, it is strongly recommended that arrangements are made for a Maintenance Agreement. Please contact Vaillant Service Solutions for further details:

Telephone: 0330 100 3461

Appendix

A Connection diagrams

A.1 Wiring diagram (VWL 55/3 A 230 V, VWL 85/3 A 230 V)



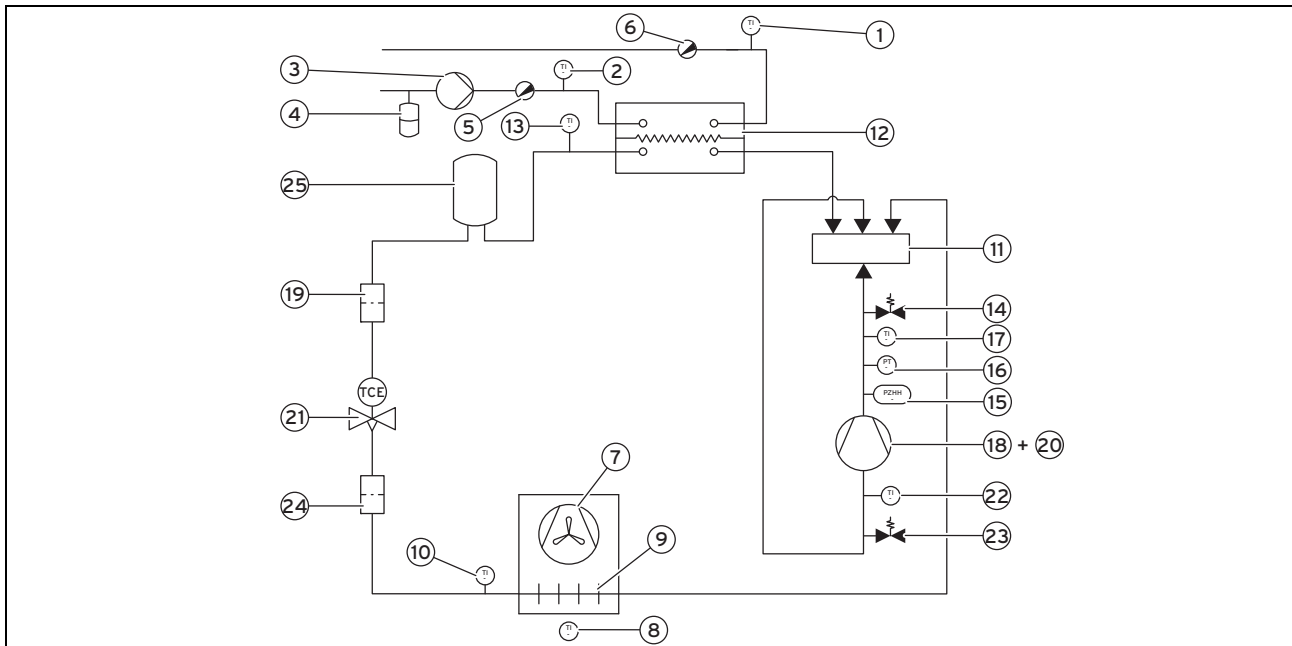
- | | | | |
|---|---|---|--|
| 1 | Temperature sensor for the finned-pipe heat exchanger | 4 | Compressor inlet temperature sensor |
| 2 | Temperature sensor after the plate heat exchanger | 5 | Compressor outlet temperature sensor |
| 3 | Refrigerant circuit pressure switch | 6 | Refrigerant circuit temperature sensor |

Appendix

7	Heat pump heating flow temperature sensor	17	Crankcase heating
8	Heat pump heating return temperature sensor	18	Condensate tray electrical immersion heater
9	Air inlet temperature sensor	19	LED status display
10	Electronic expansion valve	20	Heating circuit high-efficiency pump with flow rate sensor
11	Main PCB	21	4-port diverter valve
12	Coding resistor	22	PCB installation
13	Diagnosis software connection	23	Rotary compressor
14	Fan 1	24	Inverter box
15	Fan 2 (for VWL 155 only)	25	Temperature sensor for the finned-pipe heat exchanger
16	Fan PCB		

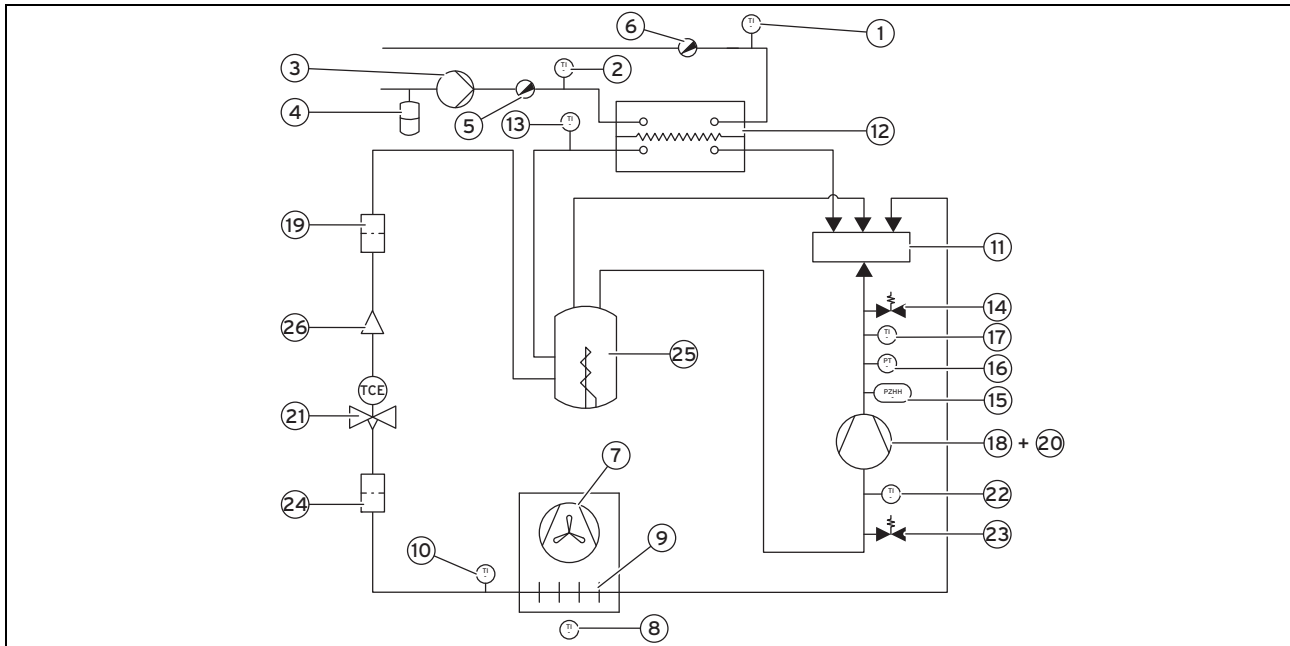
B Heat pump schematic

B.1 Heat pump basic diagram (VWL 55/3 A 230 V)



1	Flow heating circuit temperature sensor	14	Service valve for the high-pressure range of the refrigerant circuit
2	Return heating circuit temperature sensor	15	High-pressure pressure switch in the refrigerant circuit
3	High-efficiency pump with flow rate sensor	16	High-pressure sensor in the refrigerant circuit
4	Expansion vessel (not for Vaillant)	17	Compressor outlet temperature sensor
5	Drain valve	18	Rotary compressor
6	Purging valve	19	Filter
7	Fan	20	Refrigerant separator
8	Air inlet temperature sensor	21	Electronic expansion valve
9	Finned-pipe heat exchanger	22	Compressor inlet temperature sensor
10	Temperature sensor for the finned-pipe heat exchanger	23	Service valve for the low-pressure range of the refrigerant circuit
11	4-port diverter valve	24	Filter
12	Plate heat exchanger	25	Refrigerant collector
13	Temperature sensor after the plate heat exchanger		

B.2 Heat pump basic diagram (VWL 85/3 A 230 V)



1	Flow heating circuit temperature sensor	14	Service valve for the high-pressure range of the refrigerant circuit
2	Return heating circuit temperature sensor	15	High-pressure pressure switch in the refrigerant circuit
3	High-efficiency pump with flow rate sensor	16	High-pressure sensor in the refrigerant circuit
4	Expansion vessel (not for Vaillant)	17	Compressor outlet temperature sensor
5	Drain valve	18	Rotary compressor
6	Purging valve	19	Filter
7	Fan	20	Refrigerant separator
8	Air inlet temperature sensor	21	Electronic expansion valve
9	Finned-pipe heat exchanger	22	Compressor inlet temperature sensor
10	Temperature sensor for the finned-pipe heat exchanger	23	Service valve for the low-pressure range of the refrigerant circuit
11	4-port diverter valve	24	Filter
12	Plate heat exchanger	25	Gas buffer
13	Temperature sensor after the plate heat exchanger	26	Flow rate limiter (cooling mode)

C Heat pump setting parameters



Note

If repairs are carried out on the heat pump electronics (e.g. replacing the PCB), you must reset the parameters. The parameters are set on the control panel of the VWZ AI VWL X/2 A heat pump control interface module.

Parameter	Explanation	Default setting	Adjustment range	Own setting
Language	Select the required language here.	02 Englisch	01 Deutsch 02 English 03 Français 04 Italiano 05 Dansk 07 Castellano 08 Türkçe 09 Magyar 11 Українська 15 Svenska 16 Norsk 18 Čeština 19 Hrvatski 20 Suomi 21 Srpski 22 Shqip 23 македонски	
Contact details	As a competent person, you can enter your telephone number here. The end customer can read this number in Menu → Information .			
Max. remaining heating circuit feed head	Limiting the remaining heating circuit feed head. If the value is reduced, the pump speed is reduced as far as necessary in order to prevent the remaining feed head from being exceeded.	Maximum value	≥ 100 mbar	
Max. remaining feed head for DHW	Limiting the remaining domestic hot water circuit feed head. If the value is reduced, the pump speed is reduced as far as necessary in order to prevent the remaining feed head from being exceeded.	Maximum value	≥ 100 mbar	
Max. duration of the power interruption	If the set value is exceeded when the power supply is disconnected, the fault messages F.103 , F.752 or F.753 are displayed. If the heat pump is to be operated in the normal or special tariff, set the value to 3 h in the special tariff during installation.	0 h	0 to 99 h	

D Status codes

Status	Description
500	Product is waiting
501	Pump prerun before heating mode
502	Pump prerun correct in heating mode
503	Water temperature/compatibility test for heating mode setting
504	Start of heating mode activated
505	Maximum speed of pump prerun in heating mode
506	Fan pre-run in heating mode
507	4-port valve in heating position
508	Electronic expansion valve in heating position
509	Compressor start requirement in heating mode
510	Product in heating mode
511	Product in domestic hot water mode
512	Heating mode: Water temperature exceeded
513	Domestic hot water mode: Water temperature exceeded
514	Pump overrun after heating mode
515	Pump prerun before thawing

Status	Description
516	Product in thawing mode
517	Pump overrun after thawing
518	Pump operated by remote control (auxiliary)
519	Compressor's oil temperature too low for operation
530	Pump prerun before cooling mode
531	Pump prerun correct in cooling mode
532	Water temperature/compatibility test for cooling mode setting
533	Start of cooling mode activated
534	Maximum speed of pump prerun
535	Fan pre-run
536	4-port valve in cooling position
537	Electronic expansion valve in cooling position
538	Compressor start requirement in cooling mode
539	Product in cooling mode
540	Cooling mode: Water temperature exceeded
541	Pump overrun after cooling mode
550	Fault: Pressure compensation
551	Fault: Pressure switch
552	Fault detected: Operating pressure
553	Fault detected: Initial operating pressure not OK
554	Low-tariff power supply failure
555	Refrigerant circuit pressure not in the permissible range/high pressure : low pressure ratio too low
556	Refrigerant circuit pressure not in the permissible range/condensation rate too low
557	Refrigerant circuit pressure not in the permissible range/evaporation rate too high
558	Refrigerant circuit pressure not in the permissible range/condensation rate too high
559	Refrigerant circuit pressure too low
560	Compressor outlet overheated
561	Fault: Compressor inlet temperature sensor
562	Fault: Compressor outlet temperature sensor
563	Fault: Plate heat exchanger temperature sensor
564	Fault: Fin-type heat exchanger temperature sensor
565	Fault: Outdoor temperature sensor
566	Fault: Flow temperature sensor
567	Fault: Return temperature sensor
568	Fault: High-pressure sensor in refrigerant circuit
569	Fault: Frequency converter low-voltage bus
570	Fault: Frequency converter switched off
571	Fault: Frequency converter overheated
572	Fault: Frequency converter overcurrent
573	Fault: Frequency converter voltage too low
574	Fault: Frequency converter voltage too high
575	Fault: Frequency converter inverter
576	Fault: Frequency converter heat sensor
577	Fault: Frequency converter overload
578	Fault: Fan PCB

Status	Description
579	Communication fault: eBUS
580	Fault: Flow rate
581	Communication error with frequency converter
582	Compressor overcurrent fault
584	Fault: Electronic expansion valve
585	Fan speed too low
588	Coding resistor fault
589	Fault: Underfloor protective circuit
590	Fault: 4-port valve
599	Fault: Product

E Technical data



Note

The following performance data is only applicable to new products with clean heat exchangers.

Technical data – General

	VWL 55/3 A 230 V	VWL 85/3 A 230 V
Heat pump type	Monoblock air/water heat pump	Monoblock air/water heat pump
Flow/return heating connections, boiler side	1 1/4"	1 1/4"
Product dimensions, width	970 mm	1,103 mm
Product dimensions, height	834 mm	975 mm
Product dimensions, depth	408 mm	463 mm
Net weight	90 kg	106 kg
Hydraulic lines material	Copper	Copper
Hydraulic connections material	Brass	Brass
Hydraulic seals material	EPDM	EPDM
Plate heat exchanger material	AISI 304 stainless steel	AISI 304 stainless steel
Pump casing material	Painted cast iron	Painted cast iron
Pollution rating	2	2
Electrical connection	230 V (+10% / -14%) ~50 Hz	230 V (+10% / -14%) ~50 Hz
Fuse type	Characteristic C, slow-blow, single-pole switching	Characteristic C, slow-blow, single-pole switching
Optional on-site universal-current-sensitive residual-current circuit breaker	RCCB type B (universal-current-sensitive residual-current circuit breaker, type B)	RCCB type B (universal-current-sensitive residual-current circuit breaker, type B)
IP rating	IP 25	IP 25
Maximum in-rush current	13 A	16 A

	VWL 55/3 A 230 V	VWL 85/3 A 230 V
Maximum current consumption	16 A	16 A
Pump power consumption	15 to 70 W	15 to 70 W
Fan power consumption	15 to 42 W	15 to 42 W
Electrical classification	I	I
Overvoltage category	II	II
Fan rotational speed	550 rpm	550 rpm
Sound power level for A7W35 according to EN 12102 and EN ISO 9614-1	58 dB(A)	59 dB(A)
Sound power level for A7W45 according to EN 12102 and EN ISO 9614-1	58 dB(A)	59 dB(A)
Sound power level for A7W55 according to EN 12102 and EN ISO 9614-1	58 dB(A)	60 dB(A)
Max. flow temperature	60 °C	63 °C
Minimum air temperature (heating and cylinder charging)	-15 °C	-20 °C
Maximum air temperature (heating)	28 °C	28 °C
Max. air temperature (cylinder charging)	46 °C	46 °C
Max. air flow	2,000 m ³ /h	2,700 m ³ /h

Technical data – Heating circuit

	VWL 55/3 A 230 V	VWL 85/3 A 230 V
Minimum operating pressure	0.1 MPa (1.0 bar)	0.1 MPa (1.0 bar)
Maximum operating pressure	0.3 MPa (3.0 bar)	0.3 MPa (3.0 bar)
Heating circuit water contents in the heat pump	1.1 l	1.6 l
Minimum heating circuit water contents	17 l	21 l
Min. volume flow rate	380 l/h	380 l/h
Nominal volume flow rate, max. volume flow rate	860 l/h	1,400 l/h
Hydraulic pressure difference	640 mbar	450 mbar

Technical data – Refrigerant circuit

	VWL 55/3 A 230 V	VWL 85/3 A 230 V
Refrigerant type	R410A	R410A
Refrigerant content	1.80 kg	1.95 kg
Maximum permissible operating overpressure	4.15 MPa (41.50 bar)	4.15 MPa (41.50 bar)
Compressor type	Rotary piston	Rotary piston
Oil type	Specific polyvinyl ether (PVE)	Specific polyvinyl ether (PVE)
Refrigerant circuit control system	Electronic	Electronic

Technical data – Heat pump system performance data

	VWL 55/3 A 230 V	VWL 85/3 A 230 V
Heat output A-7/W35	4.42 kW	5.74 kW
A-7/W35 output figure/EN 14511 coefficient of performance	2.46	2.33
Power consumption effective at A-7/W35	1.80 kW	2.46 kW
Heat output A7/W35	4.40 kW	7.07 kW
A7/W35 output figure/EN 14511 coefficient of performance	4.53	4.07
Power consumption effective at A7/W35	0.97 kW	1.74 kW
Heat output A7/W45	4.09 kW	6.71 kW
A7/W45 output figure/EN 14511 coefficient of performance	3.42	3.24
Power consumption effective at A7/W45	1.19 kW	2.07 kW
Heat output A7/W55	3.94 kW	6.34 kW
A7/W55 output figure/EN 14511 coefficient of performance	2.73	2.66
Power consumption effective at A7/W55	1.45 kW	2.38 kW

F Overview of fault codes

Code	Meaning	Cause
F.022	Water pressure too low	Insufficient water in the heating system
F.037	Fan fault	<ul style="list-style-type: none"> – Obstruction in the product's air pipe – Fan motor not connected or defective – The connection between the main PCB and the fan PCB is damaged or broken
F.042	Fault: Coding resistor	<ul style="list-style-type: none"> – The product's coding resistor is missing or is defective – Coding resistor value outside the permissible range – X25 plug not connected or was connected incorrectly
F.073	Fault: Water pressure sensor	Line to water pressure sensor is broken or has a short circuit
F.086	Surface-mounted thermostat opened	<ul style="list-style-type: none"> – Underfloor heating temperature too high – Heating circuit flow rate quantity too low – Underfloor heating circuit is closed
F.103	Fault: Spare part detection	<ul style="list-style-type: none"> – The parameter Max. duration power supply cut-off has been poorly set (see "Heat pump setting parameters" in the appendix). – The main PCB that is fitted as a spare part or the frequency converter does not match the product.
F.514	Temp. sensor fault: Compressor inlet	Sensor is defective or incorrectly connected to the main PCB
F.517	Temp. sensor fault: Compressor outlet	
F.519	Sensor fault: Return temperature	
F.520	Sensor fault: Flow temperature	
F.523	Sensor fault: VF1	Line to temperature sensor VF1 is broken or has a short circuit
F.526	Sensor fault: Temp. environment circuit EEV ¹⁾	Sensor is defective or incorrectly connected to the main PCB
1) Sensor on the evaporator		
2) Sensor on the condenser		

Code	Meaning	Cause
F.532	Building circuit: Flow rate too low	<ul style="list-style-type: none"> - Heating circuit not fully purged - Dirt filter in the heating circuit return is missing or blocked - Water deficiency - Pressure loss in the heating circuit too high - Pump cabling defective - Pump faulty <p>Check the specific flow rate quantity in the heating circuit during the sensor/actuator test.</p> <ul style="list-style-type: none"> - Between 7000 and 7700 l/h: The power supply is not sufficient - Between 7700 and 8200 l/h: The pump runs dry (no water in the heating circuit; the heating circuit loses water) - Between 8200 and 8700 l/h: Fault in the electronics - Between 8700 and 9200 l/h: The pump is blocked - Between 9200 and 10,000 l/h: No PWM signal (cable defective or not connected; fault in the main PCB)
F.536	Compressor outlet temp. too high	<ul style="list-style-type: none"> - Refrigerant quantity too low - Sensor is defective or incorrectly connected to the main PCB - Premature expansion in the liquid area of the refrigerant circuit (loss of charge) - Electronic expansion valve defective - Heat exchanger blocked
F.537	High-pressure switch opened	<ul style="list-style-type: none"> - Refrigerant volume too high or too low - Vacuum insufficient (10 mbar) - Incondensable particle in the refrigerant circuit - Pressure switch or electrical connection defective - Premature expansion in the liquid area of the refrigerant circuit (loss of charge) - Flow rate quantity too high (see defined maximum flow rate) - Flow rate monitor defective - Insufficient heat transfer in the heat exchanger
F.539	Refrigerant pressure too low	<ul style="list-style-type: none"> - Refrigerant quantity too low - Air flow too low - No thawing - The resistance heating in the condensate receiver is defective. - 4-port diverter valve defective - Electronic expansion valve motor defective, or connection defective
F.546	Sensor fault: High pressure	Cabling defective
F.554	Refrigerant pressure not in operating range	<ul style="list-style-type: none"> - Refrigerant volume too high or too low - Incondensable particle in the refrigerant circuit - Electronic expansion valve defective - Premature expansion in the liquid area of the refrigerant circuit (loss of charge) - Flow rate quantity too high (see defined maximum flow rate) - Insufficient heat exchange in the plate heat exchanger or the finned-tube heat exchanger - 4-port diverter valve defective - Temperature sensor defective
F.582	EEV fault	<ul style="list-style-type: none"> - Cable insulation defective - Connection broken
F.585	Sensor fault: Temp. building circuit EEV ²⁾	Sensor is defective or incorrectly connected to the main PCB
F.685	Communication fault: eBUS	<ul style="list-style-type: none"> - The product is not connected to the control - Polarity inverted
F.750	Connection fault: Compressor	<ul style="list-style-type: none"> - Cable insulation defective - Connection broken
F.751	Compressor: Overcurrent fault	<ul style="list-style-type: none"> - The product's power supply is too low - The fin-type heat exchanger or heat exchanger is dirty
<p>1) Sensor on the evaporator 2) Sensor on the condenser</p>		

Appendix

Code	Meaning	Cause
F.752	Fault: Frequency converter	<ul style="list-style-type: none"> - The parameter Max. duration power supply cut-off has been poorly set (see "Heat pump setting parameters" in the appendix). - Inverter box damaged - The cooler inverter box is blocked - Faulty power supply
F.753	Connection fault: Frequency converter not recognised	<ul style="list-style-type: none"> - The parameter Max. duration power supply cut-off has been incorrectly set (see "Heat pump setting parameters" in the appendix). - The connection between the main PCB and the inverter box is damaged or broken - Inverter box is not switched on
F.754	Fault: Fan unit	<ul style="list-style-type: none"> - The connection between the main PCB and the fan PCB is damaged or broken - The fan PCB is defective
F.755	Fault: 4-port diverter valve position incorrect	<p>Mechanical or electrical problem. Move the 4-port diverter valve away from the control. When moving it, check that the coil voltage is correct.</p> <p>Check the cable harness and the connections. Check the temperature sensor for the finned-tube heat exchanger for plausibility (to do this, use a surface-mounted thermometer and the display in the actuator/sensor test T.0.28 test menu)</p>
F.774	Sensor fault: Air inlet temperature	The temperature sensor is defective or incorrectly connected to the main PCB.
F.1288	Fault: SP1 cylinder temperature sensor	Sensor is defective or has not been correctly connected to the VWZ AI heat pump control interface module.
	Connection fault: Accessory modules	Fault in the VWZ AI heat pump control interface module (the connection between the display and the main PCB is defective)
	Connection fault: Heat pump	The eBUS connection between the heat pump and the VWZ AI heat pump control interface module is defective
<p>1) Sensor on the evaporator 2) Sensor on the condenser</p>		

For further technical information, please call 0330 100 3540.

G Commissioning Checklist

Benchmark Commissioning & Warranty Validation Service Record

It is a requirement that the heat pump is installed and commissioned to the manufacturers' instructions and the data fields on the commissioning checklist completed in full.

To instigate the warranty the heat pump needs to be registered with the manufacturer within one month of the installation. The warranty rests with the end-user (consumer), and they should be made aware it is ultimately their responsibility to register with the manufacturer, within the allotted time period.

It is essential that the heat pump is serviced in line with the manufacturers' recommendations, at least annually. This must be carried out by a competent, certified operative. The service details should be recorded on the Benchmark Service and Interim Heat Pump Work Record and left with the householder. Failure to comply with the manufacturers' servicing instructions and requirements will invalidate the warranty.



www.hhic.co.uk

This Commissioning Checklist is to be completed in full by the competent person who commissioned the heat pump and associated equipment as a means of demonstrating compliance with the appropriate Building Regulations and then handed to the customer to keep for future reference.

Failure to install and commission according to the manufacturers' instructions and complete this Benchmark Commissioning Checklist will invalidate the warranty. This does not affect the customer's statutory rights.

* All installations in England and Wales must be notified to Local Authority Building Control (LABC) either directly or through a Competent Persons Scheme. A Building Regulations Compliance Certificate will then be issued to the customer.

© Heating and Hotwater Industry Council (HHIC)



www.hhic.org.uk
Issue date: 20.08.2020

AIR TO WATER HEAT PUMP COMMISSIONING CHECKLIST

This Commissioning Checklist is to be completed in full by the competent person who commissioned the heat pump and associated equipment as a means of demonstrating compliance with the appropriate Building Regulations and then handed to the customer to keep for future reference.

Failure to install and commission this equipment to the manufacturer's instructions may invalidate the warranty but does not affect statutory rights.

Customer name:		Telephone number:	
Address:			
Heat Pump Make and Model			
Heat Pump Serial Number			
Commissioned by (PRINT NAME):		Certified Operative Reg. No. [1]	
Company name:		Telephone number:	
Company address:			
		Commissioning date:	
Building Regulations Notification Number (if applicable) [2]			
CONTROLS - SYSTEM AND HEAT PUMP (tick the appropriate boxes)			
Time and temperature control to heating	Room thermostat and programmer/timer	<input type="checkbox"/>	Programmable Roomstat
	Load/weather compensation	<input type="checkbox"/>	Optimum start control
Time and temperature control to hot water	Cylinder thermostat and programmer/timer	<input type="checkbox"/>	Combined with Heat pump main controls
Heating zone valves (including underfloor loops)	Fitted	<input type="checkbox"/>	Not required
Hot water zone valves	Fitted	<input type="checkbox"/>	Not required
Thermostatic radiator valves	Fitted	<input type="checkbox"/>	Not required
Heat Pump Safety Interlock [3]	Built In	<input type="checkbox"/>	Provided
Outdoor Sensor	Fitted	<input type="checkbox"/>	Not required
Automatic bypass to system	Fitted	<input type="checkbox"/>	Not required
Buffer Vessel Fitted	Yes <input type="checkbox"/>	No <input type="checkbox"/>	If YES Volume: <input type="text"/> Litres
ALL SYSTEMS			
The heating system has been filled and pressure tested			Yes <input type="checkbox"/>
Expansion vessel for heating is sized, fitted & charged in accordance with manufacturer's instructions			Yes <input type="checkbox"/>
The heat pump is fitted on a solid/stable surface capable of taking its weight			Yes <input type="checkbox"/>
The system has been flushed and cleaned in accordance with BS7593 and heat pump manufacturer's instructions			Yes <input type="checkbox"/>
What system cleaner was used?			
What inhibitor was used?			Quantity <input type="text"/> litres
Is the system adequately frost protected?			Yes <input type="checkbox"/>
OUTDOOR UNIT			
Are all external pipeworks insulated?			Yes <input type="checkbox"/>
Is the fan free from obstacles and operational?			Yes <input type="checkbox"/>
Has suitable consideration been made for waste water discharge?			Yes <input type="checkbox"/>
CENTRAL HEATING MODE			
Heating Flow Temperature	<input type="text"/>	°C	Heating Return Temperature <input type="text"/> °C
DOMESTIC HOT WATER MODE Measure and Record:			
Is the heat pump connected to a hot water cylinder?	Unvented <input type="checkbox"/>	Vented <input type="checkbox"/>	Thermal Store <input type="checkbox"/> Not Connected <input type="checkbox"/>
Hot water has been checked at all outlets	Yes <input type="checkbox"/>	Have Thermostatic Blending Valves been fitted? <input type="checkbox"/>	Yes <input type="checkbox"/> Not required <input type="checkbox"/>
ADDITIONAL SYSTEM INFORMATION			
Additional heat sources connected:	Gas Boiler <input type="checkbox"/>	Oil Boiler <input type="checkbox"/>	Electric Heater <input type="checkbox"/> Solar Thermal <input type="checkbox"/> Other: <input type="text"/>
ALL INSTALLATIONS			
The heating, hot water and ventilation systems complies with the appropriate Building Regulations			Yes <input type="checkbox"/>
All electrical work complies with the appropriate Regulations			Yes <input type="checkbox"/>
The heat pump and associated products have been installed and commissioned in accordance with the manufacturer's instructions			Yes <input type="checkbox"/>
The operation of the heat pump and system controls have been demonstrated to the customer			Yes <input type="checkbox"/>
The manufacturer's literature, including Benchmark Checklist and Service Record, has been explained and left with the customer			Yes <input type="checkbox"/>
Commissioning Engineer's Signature			
Customer's Signature			
(To confirm satisfactory demonstration and receipt of manufacturer's literature)			

Notes: [1] Installers should be members of an appropriate Competent Persons Scheme. [2] All installations in England and Wales must be notified to Local Area Building Control (LABC) either directly or through a Competent Persons Scheme. A Building Regulations Compliance Certificate will then be issued to the customer. [3] May be required for systems covered by G3 Regulations



SERVICE RECORD

It is recommended that your heating system is serviced regularly and that the appropriate Service Interval Record is completed.

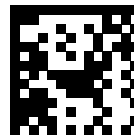
Service Provider

Before completing the appropriate Service Record below, please ensure you have carried out the service as described in the manufacturer's instructions. Always use the manufacturer's specified spare part when replacing controls.

SERVICE 01		Date:	SERVICE 02		Date:
Engineer name:			Engineer name:		
Company name:			Company name:		
Telephone No:			Telephone No:		
Operative ID No:			Operative ID No:		
Comments:			Comments:		
.....				
.....				
.....				
Signature			Signature		
SERVICE 03		Date:	SERVICE 04		Date:
Engineer name:			Engineer name:		
Company name:			Company name:		
Telephone No:			Telephone No:		
Operative ID No:			Operative ID No:		
Comments:			Comments:		
.....				
.....				
.....				
Signature			Signature		
SERVICE 05		Date:	SERVICE 06		Date:
Engineer name:			Engineer name:		
Company name:			Company name:		
Telephone No:			Telephone No:		
Operative ID No:			Operative ID No:		
Comments:			Comments:		
.....				
.....				
.....				
Signature			Signature		
SERVICE 07		Date:	SERVICE 08		Date:
Engineer name:			Engineer name:		
Company name:			Company name:		
Telephone No:			Telephone No:		
Operative ID No:			Operative ID No:		
Comments:			Comments:		
.....				
.....				
.....				
Signature			Signature		
SERVICE 09		Date:	SERVICE 10		Date:
Engineer name:			Engineer name:		
Company name:			Company name:		
Telephone No:			Telephone No:		
Operative ID No:			Operative ID No:		
Comments:			Comments:		
.....				
.....				
.....				
Signature			Signature		

Index

A	
Actuator test	23
B	
Back	
Cleaning	22
Basic diagram	4
C	
CE marking	8
Check programmes	24
Competent person	3
D	
Data plate	8
Disposal, packaging	24
Disposing of the packaging	24
Documents	6
E	
Electricity	3
F	
Filling	19
Front	
Cleaning	22
Function menu	23
G	
Grommet	16
H	
Hot water temperature	4
I	
Installer level	17
Intended use	3
L	
Live Monitor	
Calling up	17
M	
Manual	
Validity	6
P	
Product	
Unpacking	9
Q	
Qualification	3
R	
Regulations	5
Risk of scalding	4
S	
Safety device	4
Safety devices	6
Sensor/actuator test	23
Side casing	
Removing	13
Spare parts	21
Statistics	
Calling up	17
T	
Tool	4
Transport	3
Treating the heating water	18
V	
Voltage	3



0020217827_03

0020217827_03 ■ 01.03.2021

Supplier

Vaillant Ltd.

Nottingham Road ■ Belper ■ Derbyshire ■ DE56 1JT

Telephone 0330 100 3461

info@vaillant.co.uk ■ www.vaillant.co.uk

© These instructions, or parts thereof, are protected by copyright and may be reproduced or distributed only with the manufacturer's written consent.

Subject to technical modifications.