

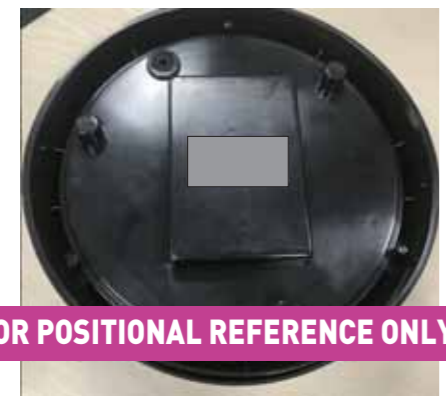
EBER10P40-01 (RU-D)

Individual packaging

1. Product label

Designed by JX

- 1pcs for each product
- Size: 50x25mm



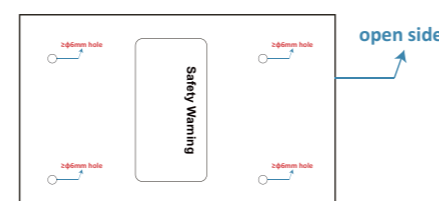
2. Batch label

- 1pcs for each Individual box
- Size: 20x5mm

17W01

pls update for each time

3. Plastic bag - 1pcs for each product

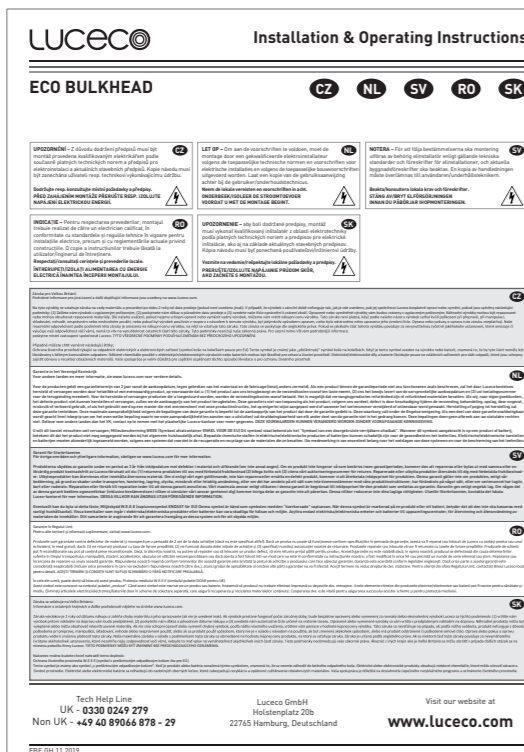
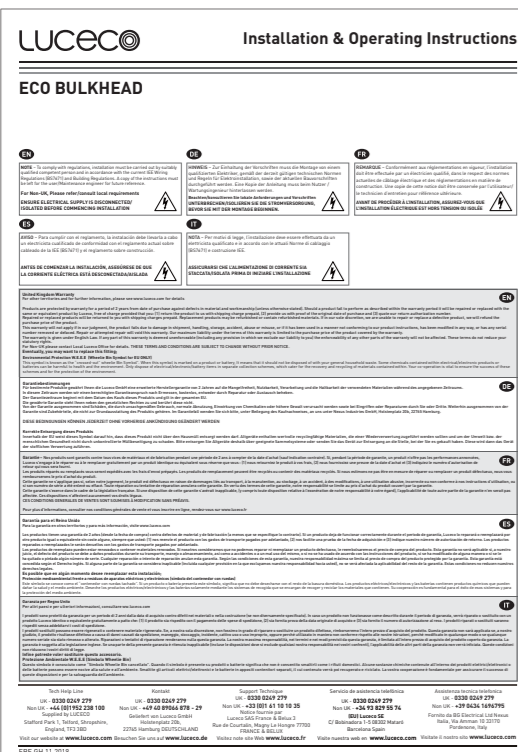


If the open side's W≥19cm, pls printing or add labels below infor on the bag.

Safety Warning
To avoid danger of suffocation,
Please keep plastic bags away from
babies and children.

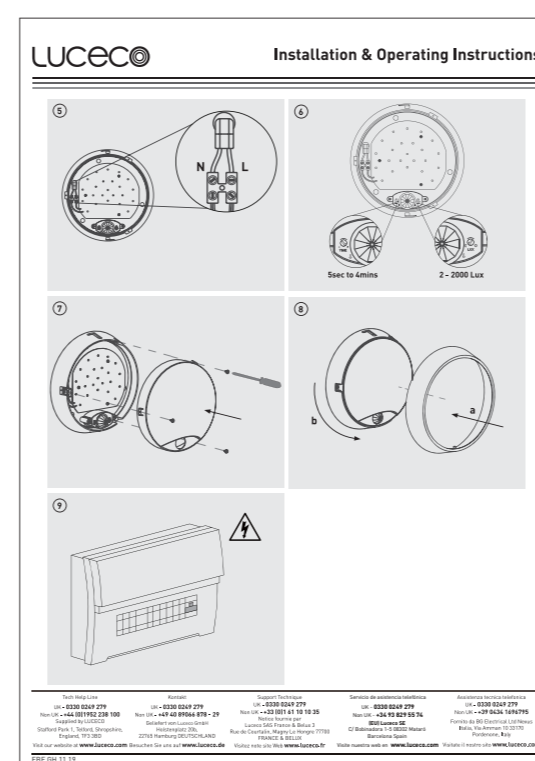
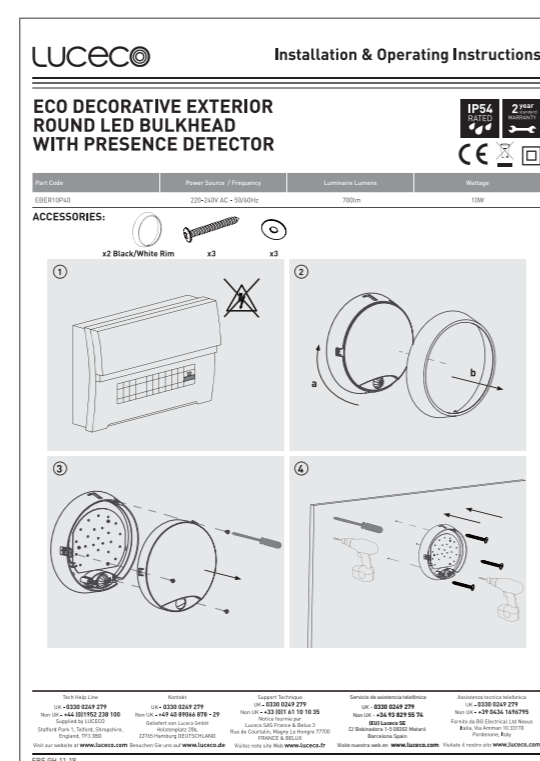
4. IM (multilingual)

- 1pcs for each product Size : 297x420mm



5. IM - 1pcs for each product

- Size : 210x297mm



Designed by UK

Designed by UK

6. Individual box

- 1pcs for each product

218 X 85 X 218 MM ECO BULKHEAD EBER10P40-01

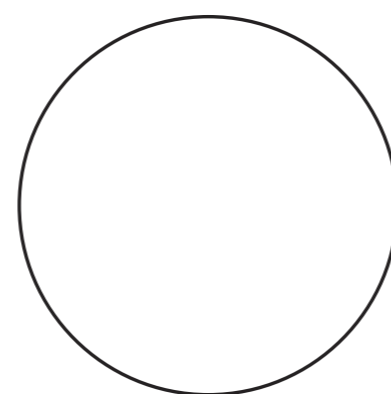


PANTONE 357C
C:35 M:0 Y:100 K:0

Designed by UK

7. Seal label

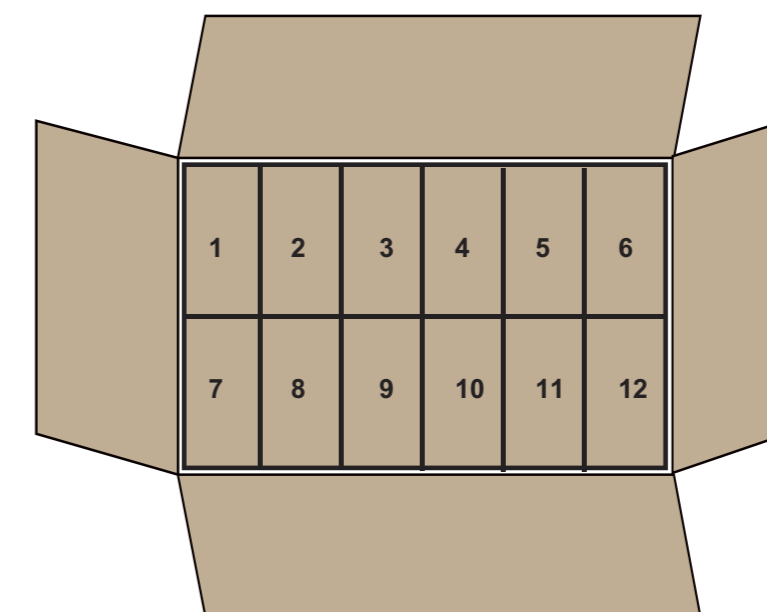
- 1pcs for each Individual box 50x50mm



Outer packaging

Outer Qty = 12PCS (6PCSx2x1Layer)

Designed by JX



8. Shipping mark

- 2pcs for each shipping box 100x50mm

100x50mm

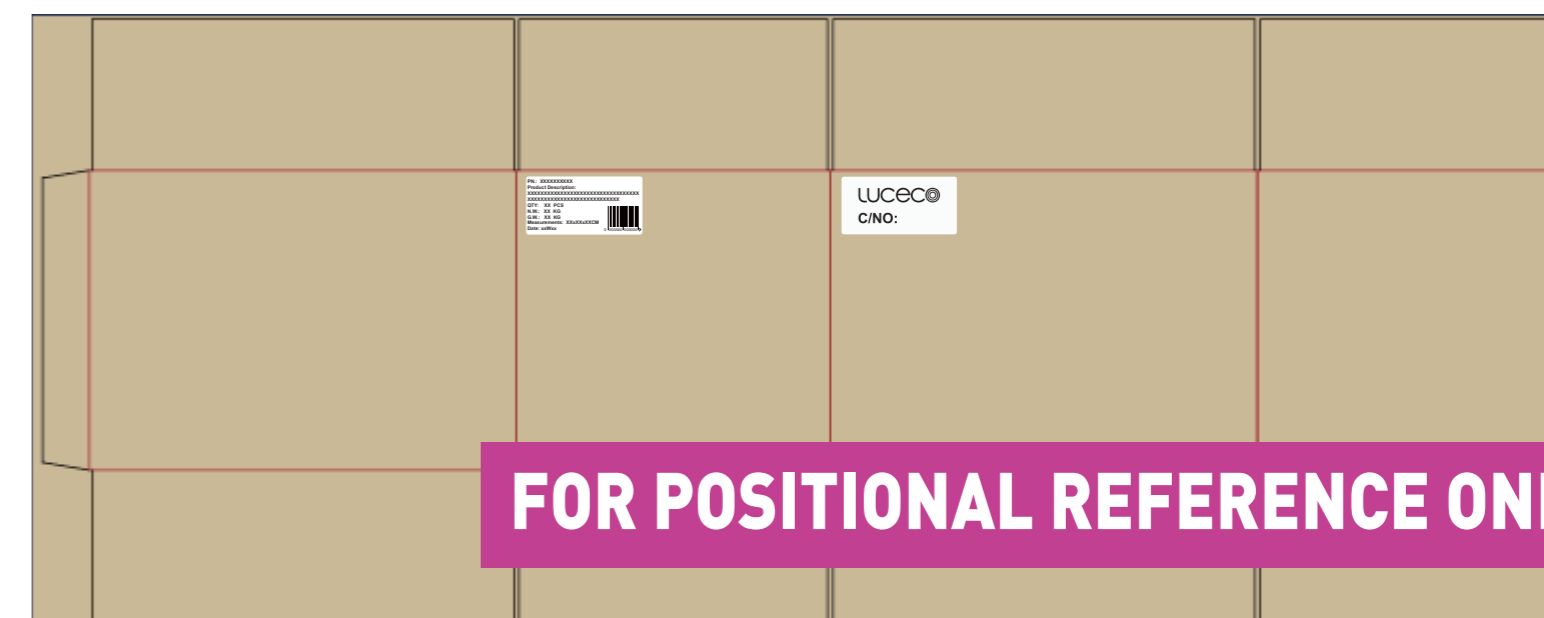
LUCECO
C/NO:

100x50mm

PN.: EBER10P40-01 (RU)
Product Description:
ECO ROUND BULKHEAD PIR IP54 700LM 10W
4000K SUPPLIED BLACK AND WHITE TRIM
QTY: XX PCS
N.W.: XX KG
G.W.: XX KG
Measurements: XXxXXxXX CM
Date: xxWxx



Label position



N.W.: XX KG
G.W.: XX KG
Measurements: XXxXXxXXCM

These three parts should be updated according to 1carton's actual infor.

Created	2017.06.13	by Grace
Confirmed	2017.06.13	by Shyel
Last updated	2019.11.11	by Grace
Confirmed	2019.11.**	by Shyel
Approved	2019.11.**	by Jane

50mm



25mm

LUCECO 

Luceco, Stafford Park 1, Telford,
Shropshire, England, TF3 3BD

(EU) Luceco SE

C/ Bobinadora 1-5 08302 Mataró Barcelona Spain



EBER10P40-01

IP54

Input Voltage: 220-240V AC 50/60Hz

Rated Power: 10W

xxWxx

**ECO DECORATIVE EXTERIOR
ROUND LED BULKHEAD
WITH PRESENCE DETECTOR**

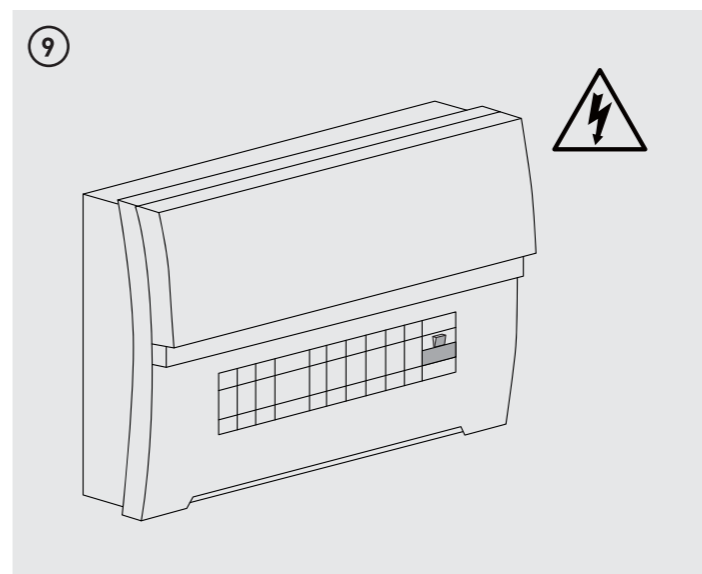
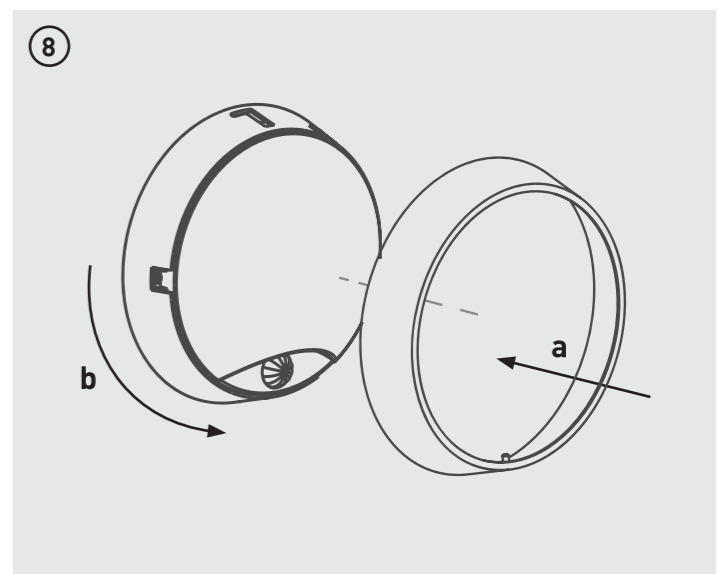
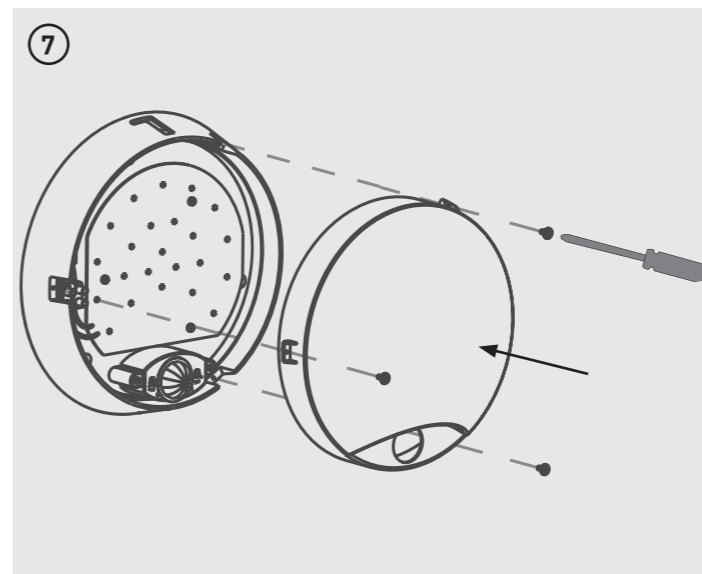
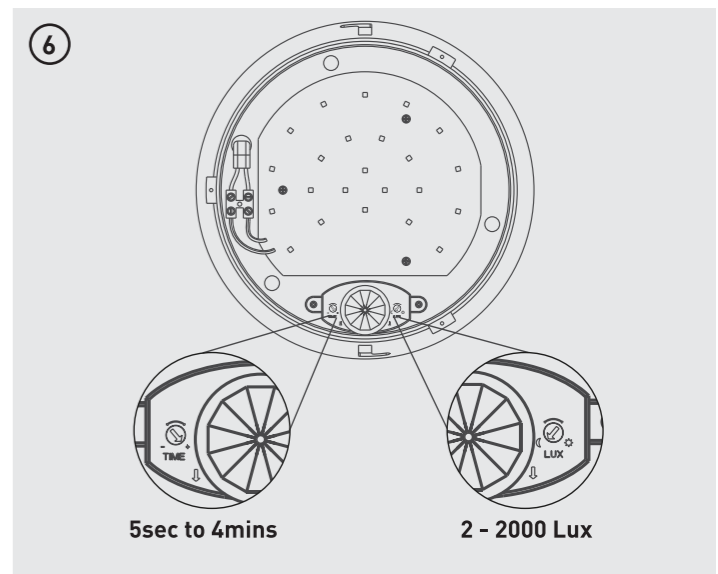
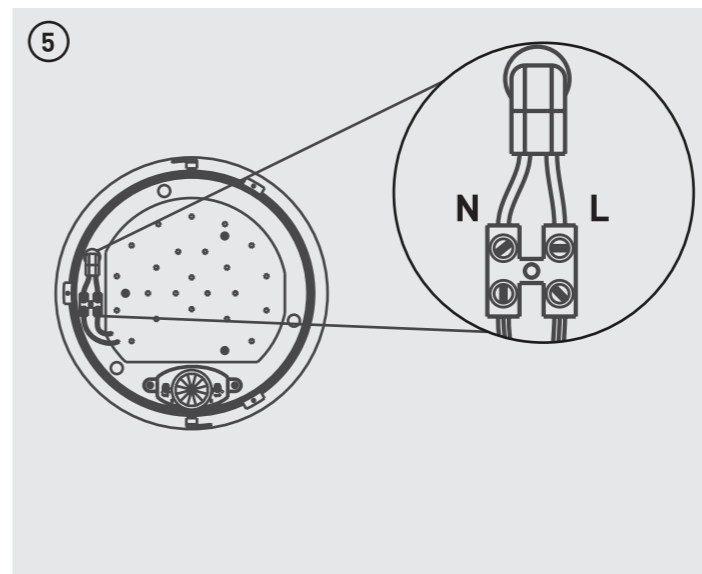
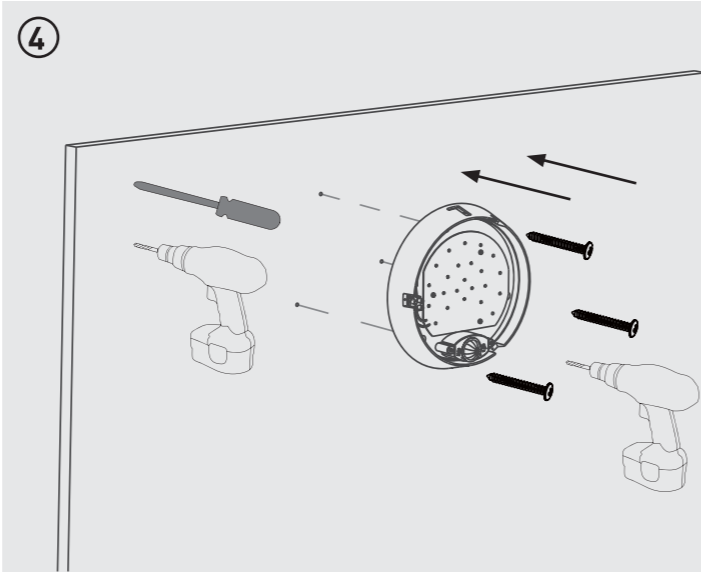
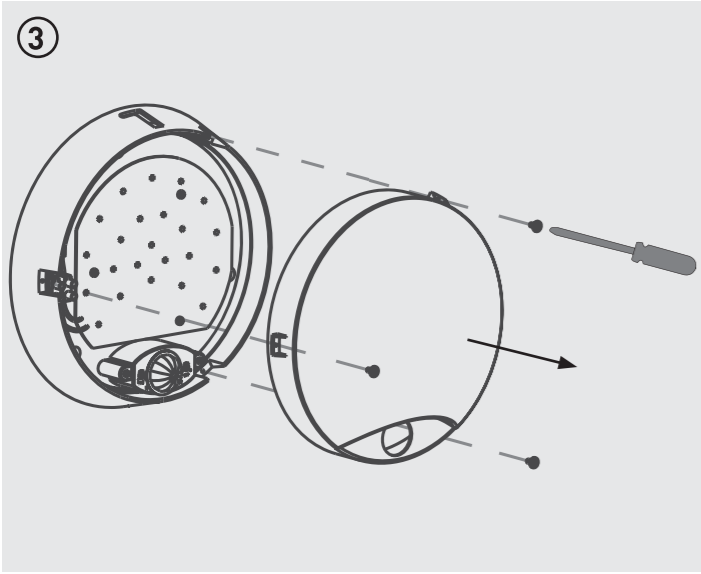
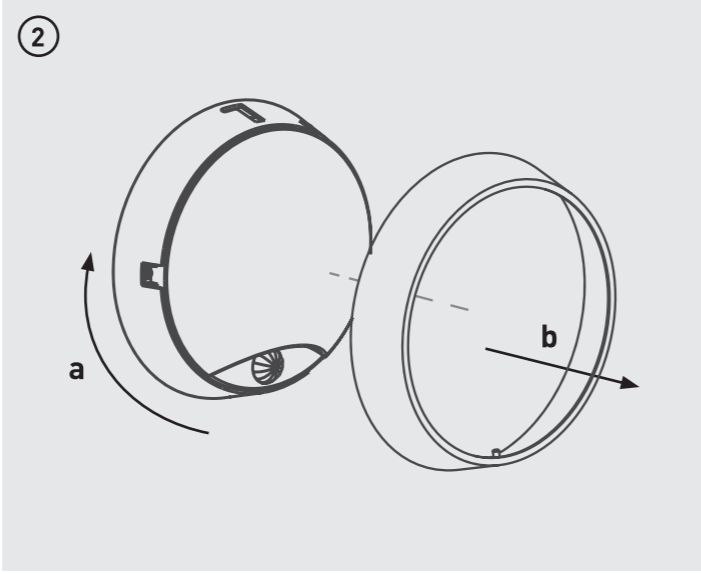
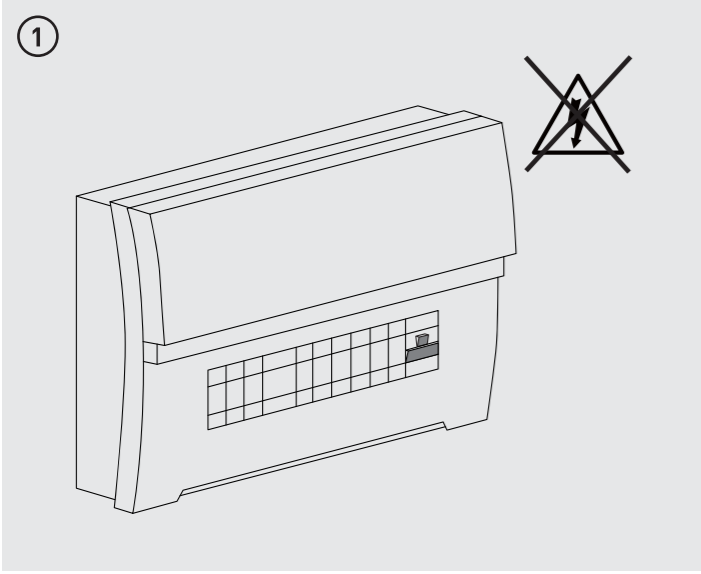
**IP54
RATED** **2 year
standard
WARRANTY**

CE  

Part Code	Power Source / Frequency	Luminaire Lumens	Wattage
EBER10P40	220-240V AC - 50/60Hz	700lm	10W

ACCESSORIES:

 **x2 Black/White Rim**  **x3**  **x3**



Tech Help Line UK - 0330 0249 279 Non UK - +44 (0)1952 238 100 Supplied by LUCECO Stafford Park 1, Telford, Shropshire, England, TF3 3BD Visit our website at www.luceco.com

Kontakt UK - 0330 0249 279 Non UK - +49 40 89066 878 - 29 Geliefert von Luceco GmbH Holstenplatz 20b, 22765 Hamburg DEUTSCHLAND Besuchen Sie uns auf www.luceco.de

Support Technique UK - 0330 0249 279 Non UK - +33 (0)1 61 10 10 35 Notice fournie par Luceco SAS France & Belux 3 Rue de Courtalin, Magny Le Hongre 77700 FRANCE & BELUX Visitez note site Web www.luceco.fr

Servicio de asistencia telefónica UK - 0330 0249 279 Non UK - +34 93 829 55 74 (EU) Luceco SE C/ Bobinadora 1-5 08302 Mataró Barcelona Spain Visite nuestra web en www.luceco.com

Assistenza tecnica telefonica UK - 0330 0249 279 Non UK - +39 0434 1696795 Fornito da BG Electrical Ltd Nexus Italia, Via Amman 10 33170 Pordenone, Italy Visitate il nostro sito www.luceco.com

Tech Help Line UK - 0330 0249 279 Non UK - +44 (0)1952 238 100 Supplied by LUCECO Stafford Park 1, Telford, Shropshire, England, TF3 3BD Visit our website at www.luceco.com

Kontakt UK - 0330 0249 279 Non UK - +49 40 89066 878 - 29 Geliefert von Luceco GmbH Holstenplatz 20b, 22765 Hamburg DEUTSCHLAND Besuchen Sie uns auf www.luceco.de

Support Technique UK - 0330 0249 279 Non UK - +33 (0)1 61 10 10 35 Notice fournie par Luceco SAS France & Belux 3 Rue de Courtalin, Magny Le Hongre 77700 FRANCE & BELUX Visitez note site Web www.luceco.fr

Servicio de asistencia telefónica UK - 0330 0249 279 Non UK - +34 93 829 55 74 (EU) Luceco SE C/ Bobinadora 1-5 08302 Mataró Barcelona Spain Visite nuestra web en www.luceco.com

Assistenza tecnica telefonica UK - 0330 0249 279 Non UK - +39 0434 1696795 Fornito da BG Electrical Ltd Nexus Italia, Via Amman 10 33170 Pordenone, Italy Visitate il nostro sito www.luceco.com

218 X 85 X 218 MM

ECO BULKHEAD
EBER10P40-01

630.5

85

218

381.5

218

FEATURES & BENEFITS

EN

ECO Bulkhead

- IP54 rated - ideal for external, utility and decorative installations
- Easy quick installation - Wall or Ceiling mounted
- Suitable for most residential and commercial applications
- Supplied with interchangeable black and white bezels
- High impact durable polycarbonate housing
- Inbuilt adjustable day and night PIR motion sensor

DE

ECO Wand- und Deckenleuchte

- IP54 klassifiziert, ideal für die Anwendung im Außenbereich, in Hausarbeitsräumen, sowie für dekorative Anwendungen
- Einfache und schnelle Installation - Wand- oder Deckenmontage
- Verwendbar als Kommerzielle- und Wohnraumbelichtung
- Deliefert mit austauschbaren, weiß und schwarzen Dekorringen
- Robustes Polycarbonat-Gehäuse
- Integrierter, einstellbarer Tag- und Nacht-Bewegungsmelder

FR

ECO Hublot

- IP54, pour installation intérieure, extérieure
- Simple et rapide - Montage mural ou plafonnier
- Convient parfaitement pour la plupart des installations résidentielles ou commerciales
- Fourni avec des collerettes interchangeables blanche et noire
- Coque en polycarbonate pour une meilleure durée dans le temps
- Inclus un détecteur de présence Jour/Nuit

ES

ECO Bulkhead

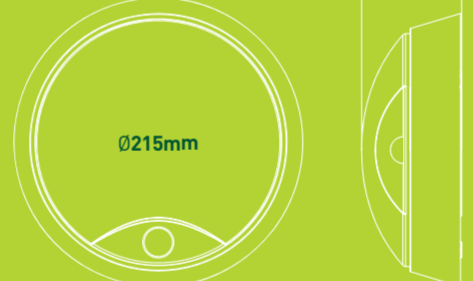
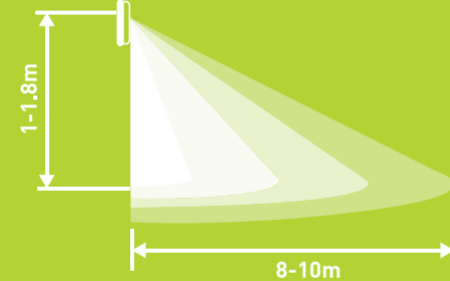
- Clasificación IP54, ideal para instalaciones externas de uso funcional o decorativo
- Fácil y rápida instalación. Montaje de superficie en pared o techo
- Adecuada para múltiples aplicaciones residenciales y comerciales
- Suministrado con aros/biseles intercambiables en blanco y negro
- Cuerpo en policarbonato de larga duración
- Incluye sensor de movimiento regulable día y noche

IT

ECO Plafoniera

- IP54, per installazioni interne ed esterne;
- Installazione semplice e rapida - Montaggio a muro o a soffitto;
- Adatto per molte applicazioni residenziali e commerciali;
- Fornito con frontalini intercambiabili bianco e nero;
- Custodia resistente in policarbonato;
- Sensore regolabile integrato per il movimento e per la luce;

Interchangeable bezels:
Black/White



LUCECO
ECO DECORATIVE EXTERIOR
IP54 ROUND LED BULKHEAD
WITH PIR MOTION SENSOR

- 4000K NEUTRAL WHITE
- 700 LUMINAIRE LUMENS
- 10W LED
- IP54
- MOTION DETECTOR
- WHITE & BLACK FINISH
- INTER-CHANGEABLE BEZELS
- 25,000 HOURS
- 2 YEAR STANDARD WARRANTY



Supplied by LUCECO
Stafford Park 1, Telford
Shropshire, England
TF3 3SD
www.luceco.com

(EU) Luceco SE
O/ Bobinadora 1-5
08302 Mataró
Barcelona
Spain



EBER10P40-01
(RU/11.19)



LUCECO
ECO DECORATIVE EXTERIOR
IP54 ROUND LED BULKHEAD
WITH PIR MOTION SENSOR

- 4000K NEUTRAL WHITE
- 700 LUMINAIRE LUMENS
- 10W LED
- IP54
- WHITE & BLACK FINISH
- INTER-CHANGEABLE BEZELS
- 25,000 HOURS
- 2 year STANDARD WARRANTY

ECO DECORATIVE EXTERIOR
IP54 ROUND LED BULKHEAD
WITH PIR MOTION SENSOR

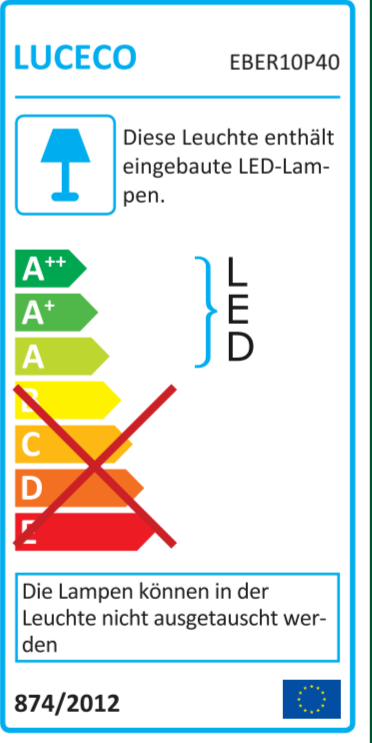
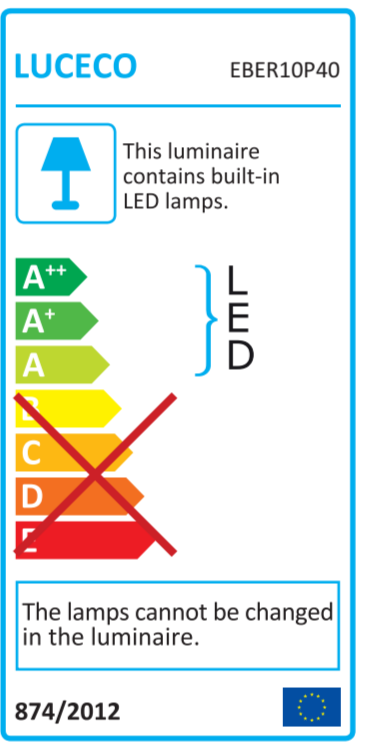
- DE - ECO DEKORATIVE LED-AUSSENLEUCHTE RUND, MIT BEWEGUNGSMELDER
- FR - HUBLOT ECO LED ROND AVEC DETECTEUR DE PRESENCE POUR EXTERIEUR
- ES - ECO PLAFON LED DECORATIVO CIRCULAR PARA EXTERIOR CON SENSOR DE PRESENCIA
- IT - ECO PLAFONIERA DECORATIVA TONDA DA ESTERNO CON SENSORE DI PRESENZA



- 4000K NEUTRAL WHITE
- 700 LUMINAIRE LUMENS
- 10W LED
- IP54
- MOTION DETECTOR
- 2 year STANDARD WARRANTY



LUCECO



LUCECO

100x50mm

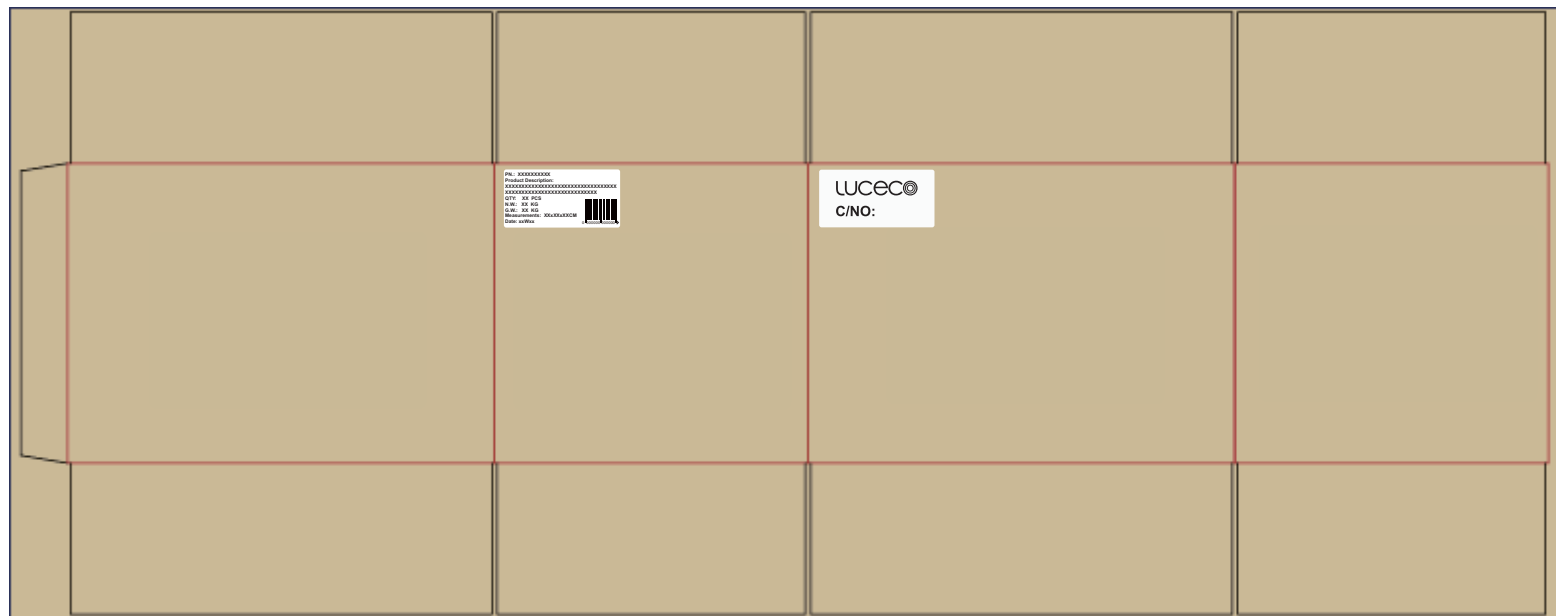
LUCECO 
C/NO:

100x50mm

PN.: EBER10P40-01 (RU)
Product Description:
ECO ROUND BULKHEAD PIR IP54 700LM 10W
4000K SUPPLIED BLACK AND WHITE TRIM
QTY: XX PCS
N.W.: XX KG
G.W.: XX KG
Measurements: XXxXXxXX CM
Date: xxWxx



Label position



N.W.: XX KG

G.W.: XX KG

Measurements: XXxXXxXXCM

These three parts should be updated according to 1 carton's actual infor.