



Technical Data

Dual RCD Consumer Units - Populated

Description:

Each unit is supplied with 100A Main Switch, and either 2 x 63A or 2 x 100A Type A RCD, busbar, label sheet, cover blanks and instructions. These consumer units are fully populated with MCB's.

The terminal and busbar arrangement provide maximum flexibility for a combination of protected and unprotected circuits, and come as High-Integrity as standard.

A range of BG control devices can be fitted into the consumer units, and lockable covers are available in the range, please contact BG for more information.

Product Images



Product Options

Cat No.	Description	Modules	Max Number of Ways
CFUDP16606A	6 Way with 100A Main Switch, 2 x 63A Type A 30mA RCD's, 6 x MCB's	12	6
CFUDP16610A	10 Way with 100A Main Switch, 2 x 63A Type A 30mA RCD's, 10 x MCB's	16	10
CFUDP16613A	13 Way with 100A Main Switch, 2 x 63A Type A 30mA RCD's, 10 x MCB's	19	13
CFUDP16616A	16 Way with 100A Main Switch, 2 x 63A Type A 30mA RCD's, 12 x MCB's	22	16
CFUDP1000010A	10 Way with 100A Main Switch, 2 x 100A Type A 30mA RCD's, 10 x MCB's	16	10
CFUDP1000013A	13 Way with 100A Main Switch, 2 x 100A Type A 30mA RCD's, 10 x MCB's	19	13
CFUDP1000016A	16 Way with 100A Main Switch, 2 x 100A Type A 30mA RCD's, 12 x MCB's	22	16

Product Contents

Consumer Unit Size	No of MCBs	MCB Type Included	No of Cover Blanks
6 Way	6	2 x 6A, 1 x 16A, 2 x 32A, 1 x 40A	2
10 Way	10	3 x 6A, 2 x 16A, 4 x 32A, 1 x 40A	2
13 Way	10	3 x 6A, 2 x 16A, 4 x 32A, 1 x 40A	4
16 Way	12	3 x 6A, 1 x 10A, 2 x 16A, 4 x 32A, 1 x 40A, 1 x 50A	4

Knockouts

Product	Top & Bottom Face	Sides	Base
12 Module	6 x Ø20mm 6 x Ø32mm	1 x Ø32mm	1 x Ø35mm x 90mm
16 Module	10 x Ø20mm 8 x Ø32mm	1 x Ø32mm	2 x Ø35mm x 90mm 1 x Ø50mm
19 Module	14 x Ø20mm 8 x Ø32mm	1 x Ø32mm	2 x Ø35mm x 90mm 1 x Ø50mm
22 Module	18 x Ø20mm 8 x Ø32mm	1 x Ø32mm	3 x Ø35mm x 90mm



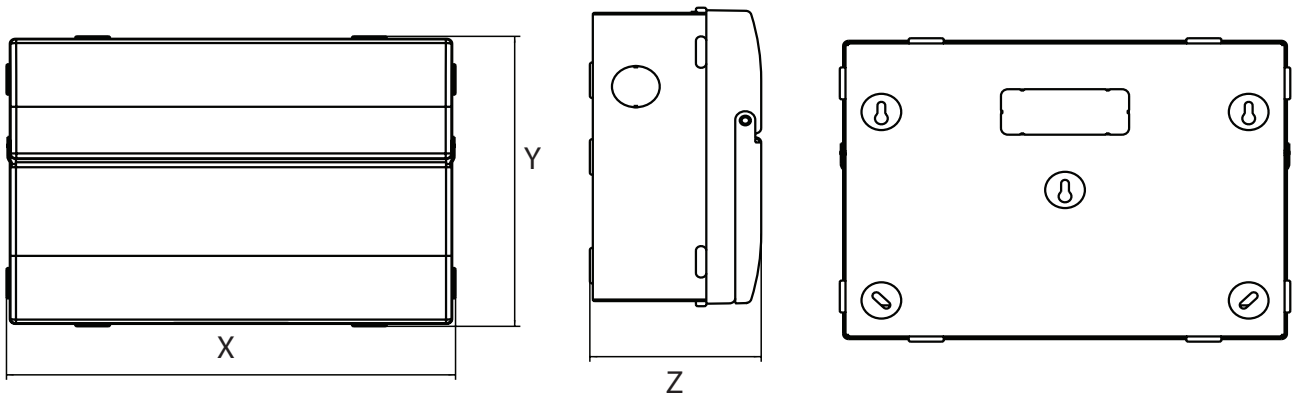
Technical Data

Dual RCD Consumer Units - Populated

Technical Specifications

Standard (s)	All metal consumer units comply with 18 th Edition Wiring Regulations BS 7671 Consumer Unit: BS EN 61439-3 Main Switch: EN / IEC 60947-3 RCD: EN / IEC 61008 MCB: EN / IEC 60898
Max Current Rating	100A
Operating Voltage	230V AC 50Hz
Short Current Withstand	16kA rms
IP Rating	IP2XC
Installation	Indoor
Material	Steel
Finish	White gloss (matches BG white accessories)
UV Stability	Yes
Main Switch Terminal	35mm ² capacity
Main Switch Torque	2.5 Nm
RCD Terminal	35mm ² capacity
RCD Torque	63A: 2.5Nm; 80A: 2.5Nm, 80A, 100A 2.5Nm
MCB Terminal	16mm ² (32 - 50A is 25mm ²)
MCB Torque	2Nm

Line Diagrams



Dual RCD Consumer Units - Populated

Consumer Unit Sizes

Cat No.	Dimensions (mm)			Fixing Centres (mm)			Weight (kg)
	X	Y	Depth	X1	Y1	Z	
CFUDP16606A	316.4	231	116	258	180	5.5	4.88
CFUDP16610A	388.4	231	116	330	180	5.5	5.68
CFUDP16613A	442.4	231	116	384	180	5.5	6.76
CFUDP16616A	494.4	231	116	438	180	5.5	6.765
CFUDP1000010A	388.4	231	116	330	180	5.5	5.68
CFUDP1000013A	442.4	231	116	384	180	5.5	6.76
CFUDP1000016A	494.4	231	116	438	180	5.5	6.765

Packaging Information

Cat No.	Description	Packaging Type			Pack Quantity			Barcode		
		Product	Inner Box	Outer Box	Each	Inner Box	Outer Box	Individual	Inner Box	Outer Box
CFUDP16606A	6 Way	Printed Box	-	-	1	-	-	5050765194433	-	-
CFUDP16610A	10 Way	Printed Box	-	-	1	-	-	5050765194440	-	-
CFUDP16613A	13 Way	Printed Box	-	-	1	-	-	5050765194457	-	-
CFUDP16616A	16 Way	Printed Box	-	-	1	-	-	5050765194464	-	-
CFUDP1000010A	10 Way	Printed Box	-	-	1	-	-	5050765194518	-	-
CFUDP1000013A	13 Way	Printed Box	-	-	1	-	-	5050765194525	-	-
CFUDP1000016A	16 Way	Printed Box	-	-	1	-	-	5050765194532	-	-