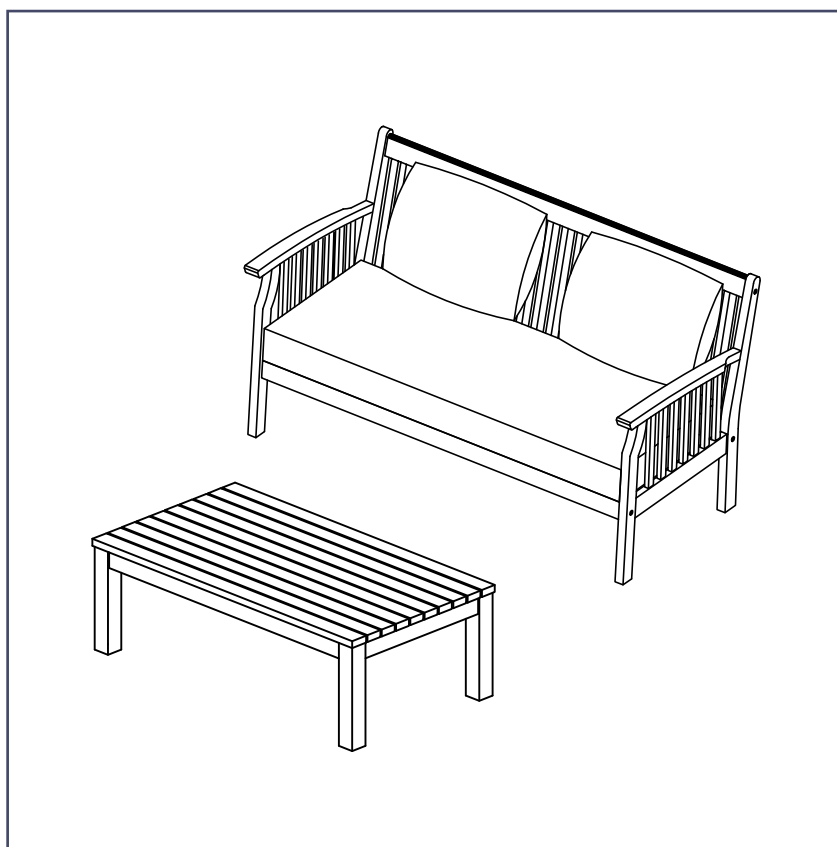


## FSC ACACIA LOUNGE SET - GLGFACLOUNGE

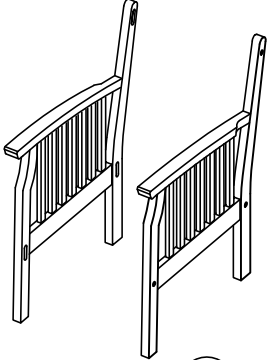
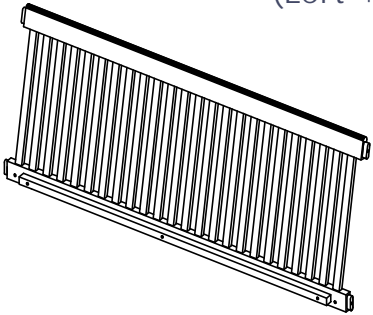
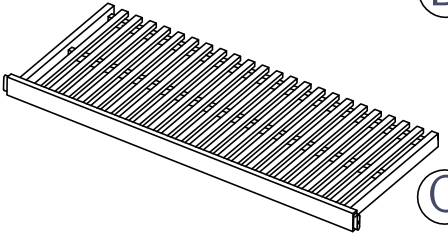
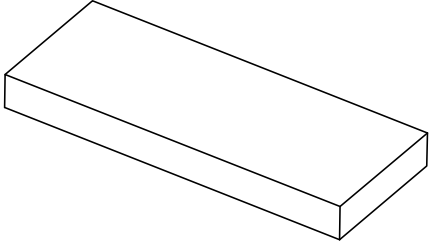
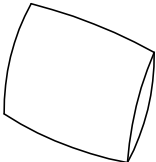
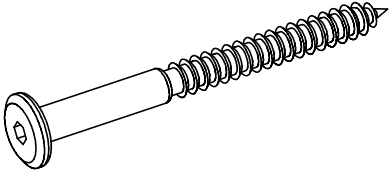
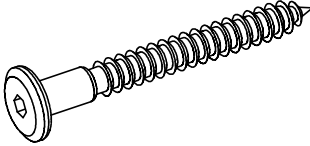
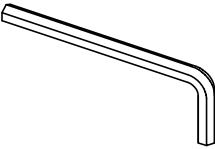
---

Assembly Instructions



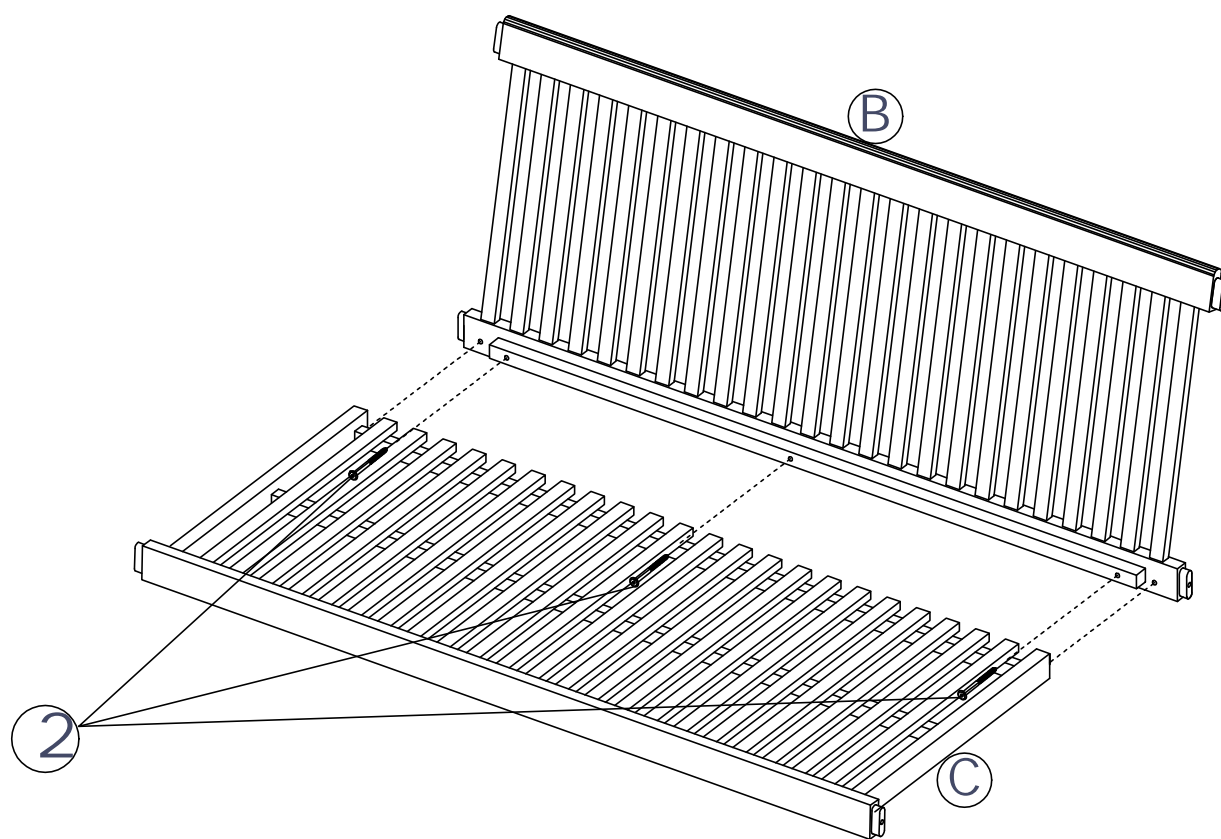
Please Read All Instructions Thoroughly Before Starting Assembly

## PARTS LIST

Part list	Hardware list
 <p data-bbox="571 801 774 907">Ⓐ x 02 (Left + Right)</p>  <p data-bbox="635 1227 774 1279">Ⓑ x 01</p>  <p data-bbox="635 1435 774 1487">Ⓒ x 01</p>  <p data-bbox="639 1675 790 1727">Ⓓ x 01</p>  <p data-bbox="639 1957 790 2009">Ⓔ x 02</p>	 <p data-bbox="839 689 906 763">①</p> <p data-bbox="900 801 1358 840">Screws (M7x70)mm x 06pcs</p>  <p data-bbox="839 1077 906 1151">②</p> <p data-bbox="906 1200 1358 1238">Screws (M6x40)mm x 03pcs</p>  <p data-bbox="839 1435 906 1509">③</p> <p data-bbox="979 1621 1273 1659">Allen keys x 02pcs</p>

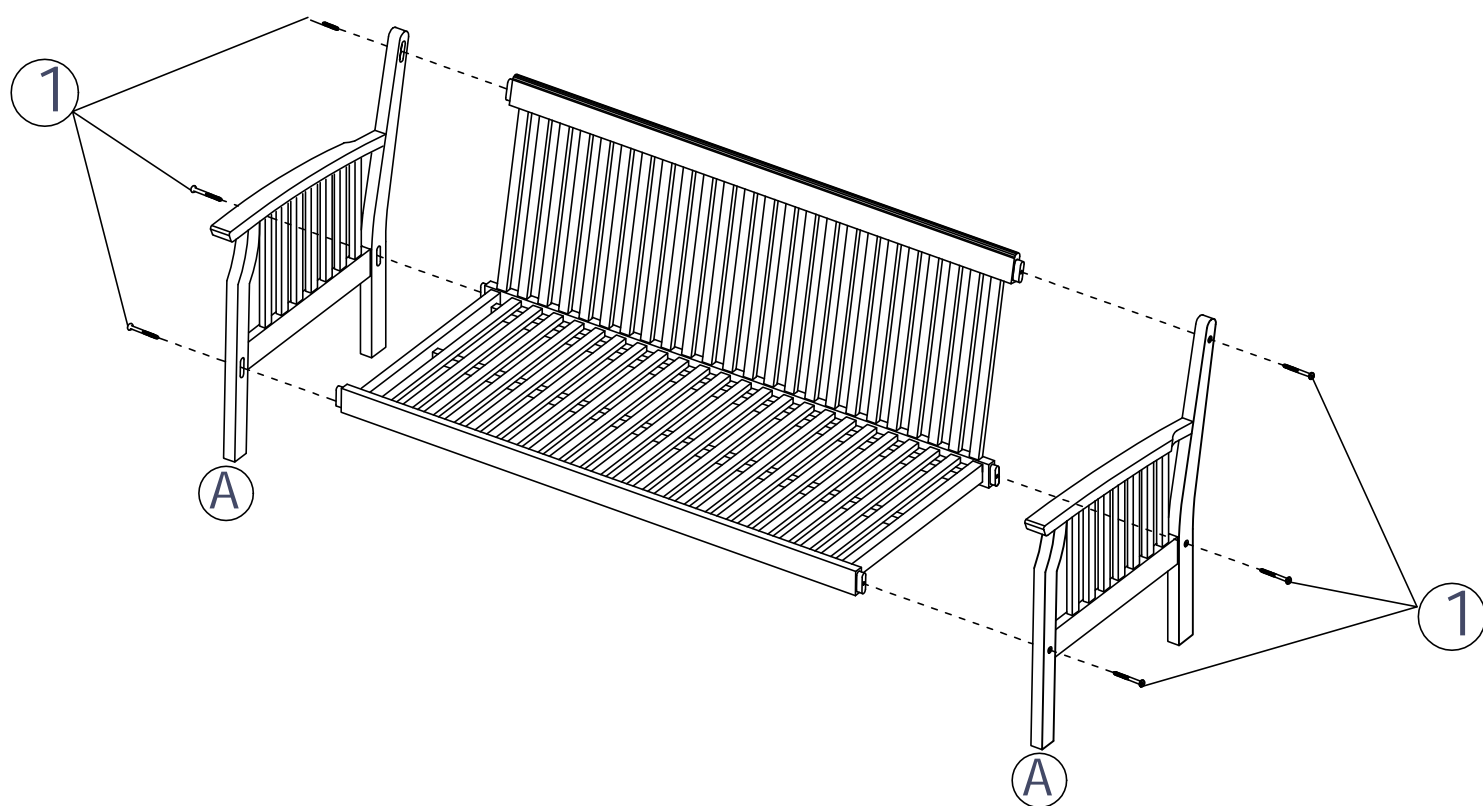
## Assembly instructions

---



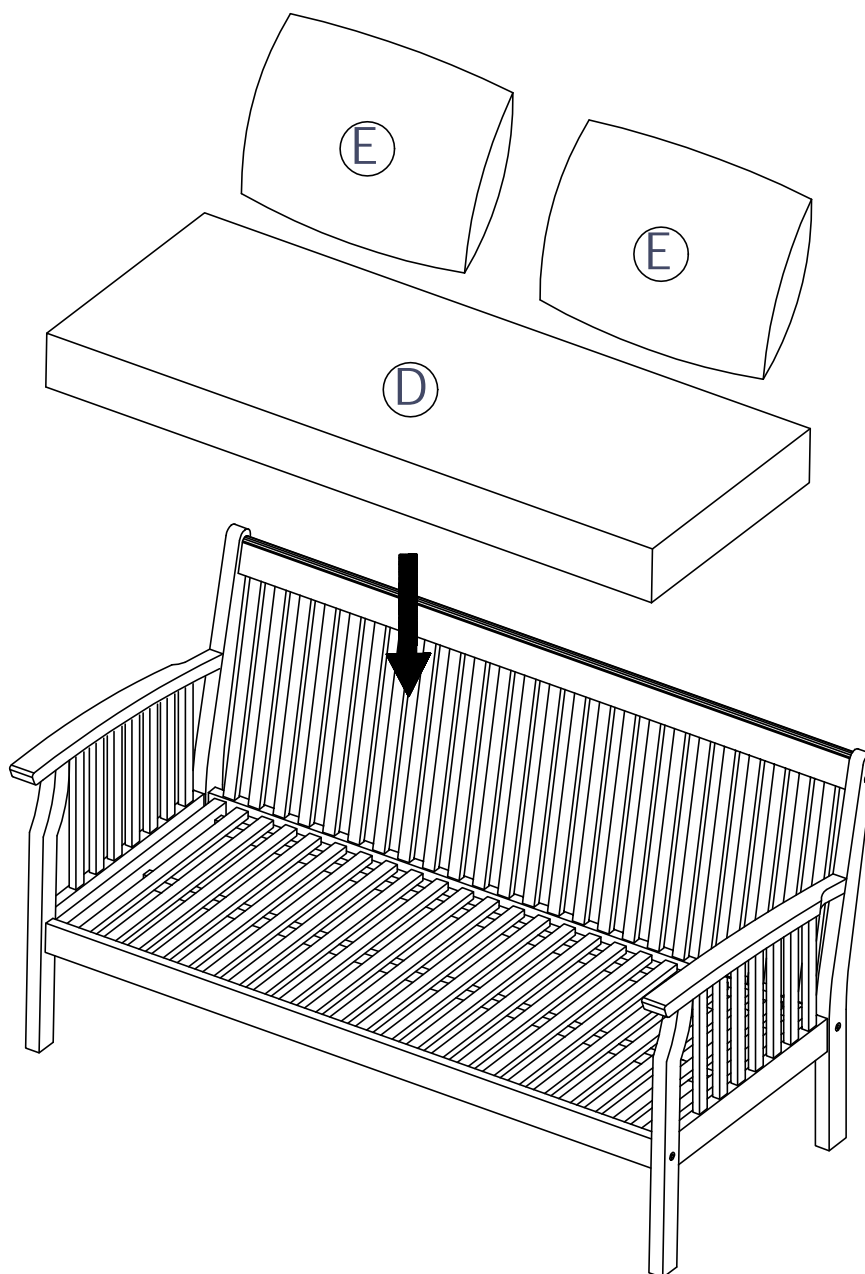
## Assembly instructions

---



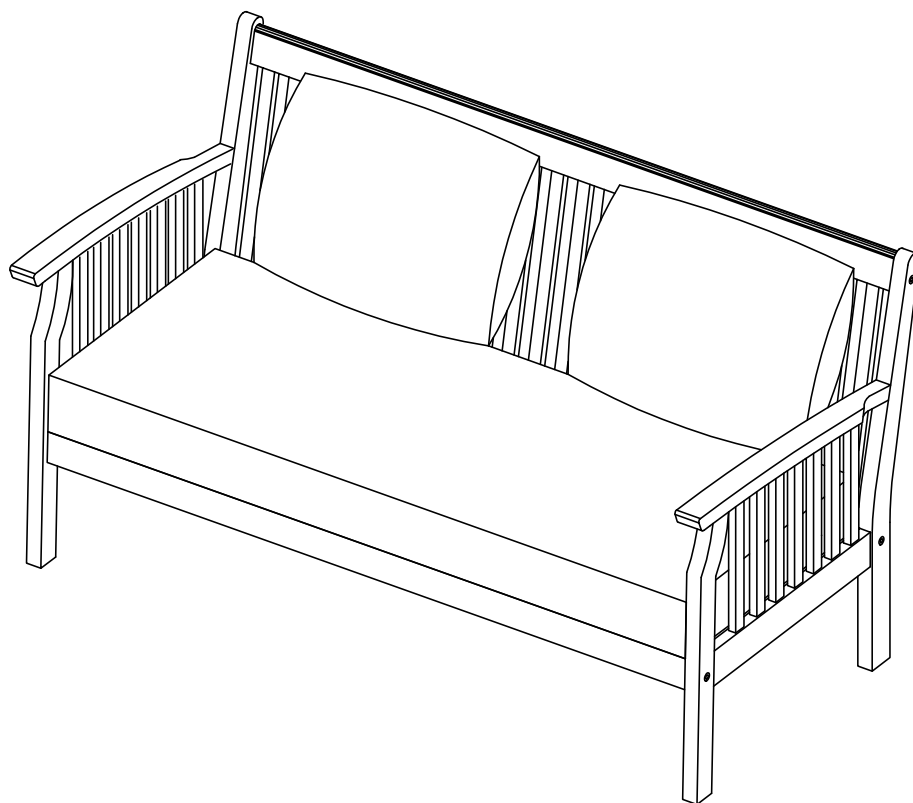
## Assembly instructions

---

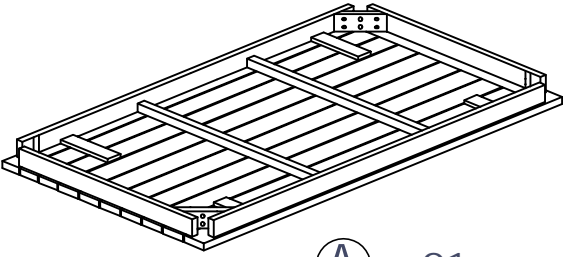

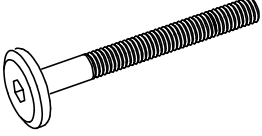
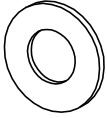
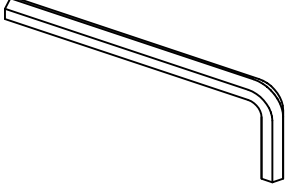


## Assembly instructions

---

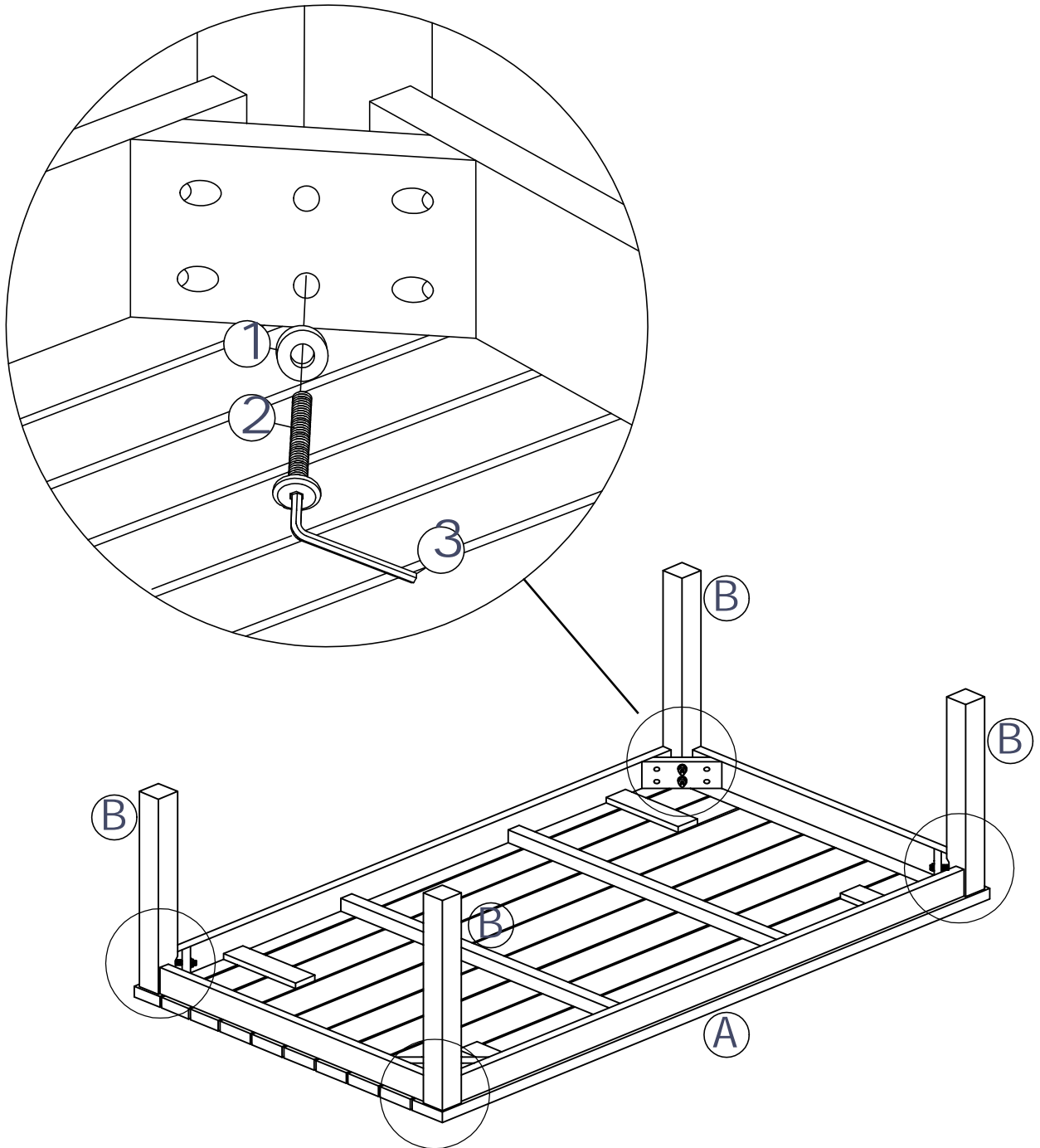


## PARTS LIST

Part list	Hardware list
 <p data-bbox="518 907 670 963">Ⓐ x 01</p>  <p data-bbox="518 1429 678 1485">Ⓑ x 04</p>	 <p data-bbox="837 694 906 761">①</p> <p data-bbox="925 801 1353 846">Bolts (M8x65)mm x 08pcs</p>  <p data-bbox="837 1079 906 1146">②</p> <p data-bbox="901 1209 1417 1249">Washers (8.5x18x2)mm x 08pcs</p>  <p data-bbox="837 1433 906 1500">③</p> <p data-bbox="1002 1624 1257 1662">Allen key x 01pc</p>

## Assembly instructions

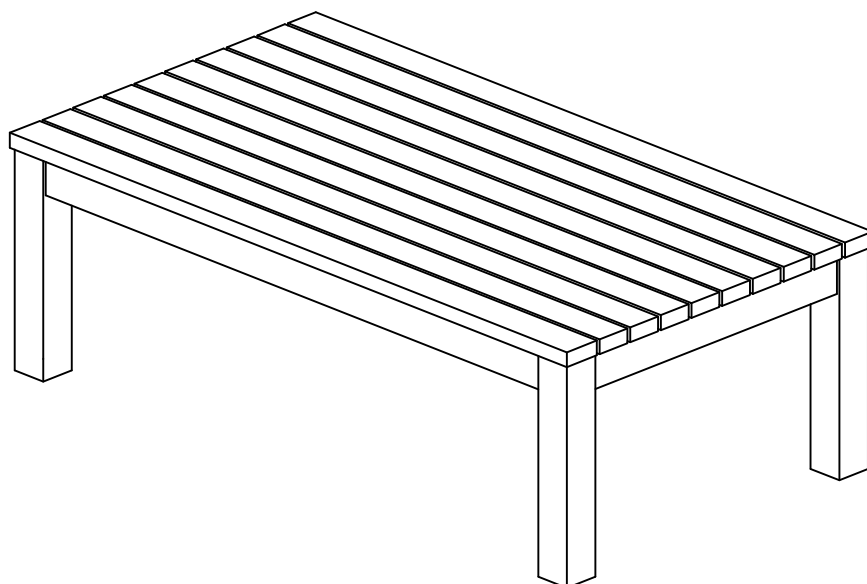
---





## Assembly instructions

---



## Care & Maintenance

---

### **Warnings!**

For domestic outdoor use only.

We suggest you spend some time reading through this leaflet and follow the simple step-by-step assembly instructions. Assembly will be easier with two people. Assemble parts loosely before tightening any bolts or fixings. Retain these instructions for future reference.

Please periodically check for loose bolts, signs of wear & tear or other damage that may cause outdoor furniture to be dangerous.

### **Do's**

Do make sure all parts are present before starting construction and use the packaging as a clean surface to work on.

Do keep children and pets well away from the construction area.

Do ensure furniture is used on firm, level ground. Make sure the legs remain in contact with the ground.

Do use furniture covers to protect your furniture when not in use.

Do clean your furniture, please use mild detergent in warm water. Rinse with clean water and dry thoroughly. Don't use abrasive cleaners, strong detergents, bleach, acid or solvents.

Do maintain the wood. The wood has a varnished finish; as the varnish weathers it must be occasionally restored to maintain the wood in good condition. The frequency will depend on the weather conditions experienced. After being outside for some months, small dark spots may appear this natural wood resin and nothing to be alarmed at. You can use fine abrasive paper to sand off the resin spots when next re-varnishing.

### **Don'ts**

Don't modify or alter furniture in anyway.

Don't use the furniture until all bolts and fixings are tight, do not overtighten as this can damage and weaken the wood.

Don't climb or stand on furniture.

Don't sit on the arms of chairs.

Don't drag furniture across the floor, as this can damage the furniture and/or floor.

Don't leave outside during bad weather. For long periods of storage, like winter, furniture should be cleaned, dried and stored in a cool dry place.

# CHARLES BENTLEY

---

EST. 1860

Find Us On



**Contact : [customerservices@charlesbentley.com](mailto:customerservices@charlesbentley.com)**  
**Please Retain Instructions For Future Use**

CHARLES BENTLEY & SON LTD  
NORTH ROAD, LOUGHBOROUGH, LEICESTERSHIRE, LE11 1QJ