

Clip for fixing Cedral Click on a timber supporting frame.

ARTICLE NUMBER: 4043370

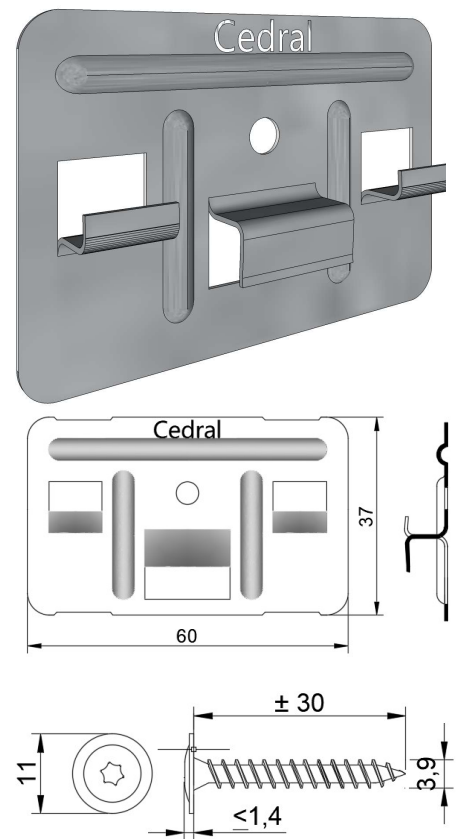
TECHNICAL CHARACTERISTICS

Clip

Dimensions : 37 x 60 x 0,6 mm
Ø 4,2 mm hole for screw fixing
Material: stainless steel quality A2
Werkstoff 1.4310

Screw

Dimensions : 3,9 x 30 mm
length 30 mm ± 1,25 mm
head diameter 11 mm
head thickness max 1,4 mm
sharp point
Torx T15 recession
Material : stainless steel quality A2
AISI 302 – Werkstoff 1.4301
Pull-out value: 1.579 kN (in wood)



PACKAGING

Packaging: 250 clips per box, including 260 screws and 1 bit
Additional screws (260 screws + 1 bit per bag): article number 4034312

PROCESSING

Consult the application guidelines for Cedral Click fixed on wooden sub-construction

Disclaimer

The information in this Material Information Sheet is correct at time issuing. However, due to our committed program of continuous material and system development we reserve the right to amend or alter the information contained therein without prior notice. Please contact your local Etex Facade Sales Organization to ensure you have the most current version.

All information contained in this document is copyrighted ©.

All figures contained in this document are illustrations and should not be used as construction drawings.

This information is supplied in good faith and no liability can be accepted for any loss or damage resulting from its use.

