

AKW[®]
Life Made Better

THE NEW GENERATION
Electric Showers



Showers Reimagined

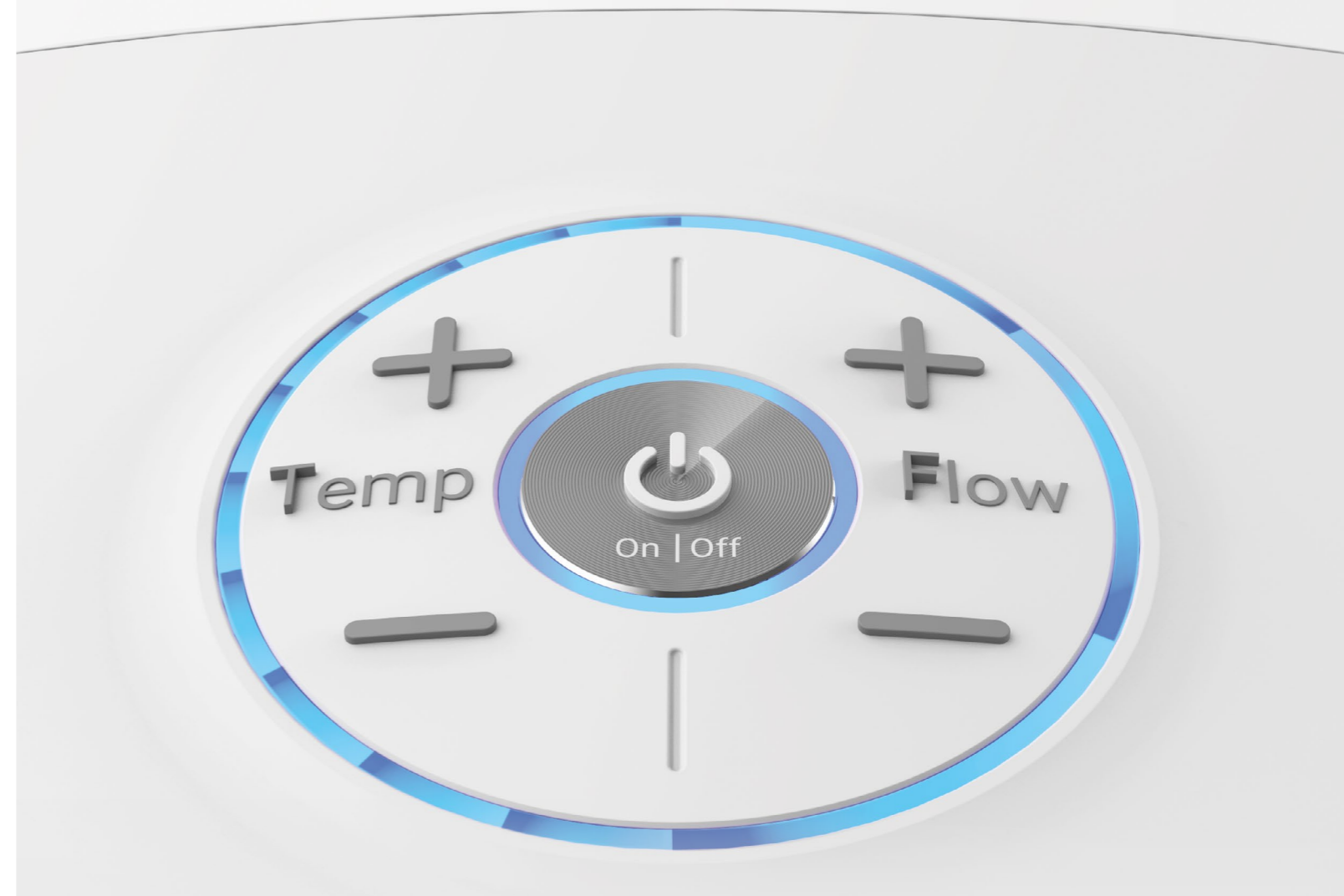
When AKW launched the world's first Bluetooth® enabled electric shower, we set new standards in the design and technological innovation of care showers.

Our refreshed range of electric showers features further advances in design and ease of use, as well as an improved look and feel. From contrasting colours and soft-touch controls, to LED display and remote operation, every element has been considered with your needs in mind.

Easy to use but also quick to install, every aspect of our showers' design is intended to simplify installation, from offering multiple water and electrical connection points, to ensuring wireless compatibility with our waste pumps. All have been carefully chosen to keep costs and inconvenience to an absolute minimum. AKW showers have been designed with the end user and the planet taken into consideration by incorporating the latest water and energy saving features.

Whether it's for a family bathroom or new development, an accessible bungalow or a care home, a parent or a carer, we have the perfect electric shower for you.

We're AKW. We're here to help.



Contents

The Electric Shower Range	4
Meet the Designer	6
AKW SmartCare Plus®	10
AKW SmartCare® Lever	16
iTherm	22
SmartCare® Showers Remote Options	26
Shower Kits	28
AKW Pumps Range	34
Warranties and Approvals	38
Product Codes	40

Electric Showers

The New Generation



SmartCarePlus



SmartCareLever



iTherm



On/Off Button

Meet the Designer

Tom attained a degree in Industrial Design BSc (Hons) from the University of Huddersfield and joined us following his graduation. He was the first employee to undertake a graduate role in this area, and the business quickly recognised Industrial Design as a key aspect of the engineering process. Tom has since progressed in his career to become our Head of Industrial Design.

"I was part of the team that developed the first-generation shower range back in 2013, and gaining awareness of the values, limitations, and considerations when designing a shower for the first time was a steep learning curve for me. Over time, my understanding, knowledge, and empathy towards the end user, has become something I feel strongly and passionate about. To enhance a person's life is truly satisfying and this is one of the main reasons why I love my job."

"In the care sector, we face so many challenges to try and tick as many boxes as possible. We work closely with occupational therapists, installers, engineers, end users, RNIB, DSDC, and so satisfying all those stakeholders, as well as meeting business needs can be a real challenge, but when the project started, I was excited to lead the design and couldn't wait to refresh this range."

"Industrial Design is something that can convey emotion through its design language and that's certainly shown in this new range. The form of the casing was developed to emphasise safety, reassurance, and care. It's incredibly important to offer enhancements to people's everyday life and not limit them, even at the base level. The range has been designed in such a way that it's easy for anyone to use - inclusive design is so important for us at AKW, and I couldn't be more proud of the delivery of these fantastic products."



Tom Doyle
Head of Industrial Design

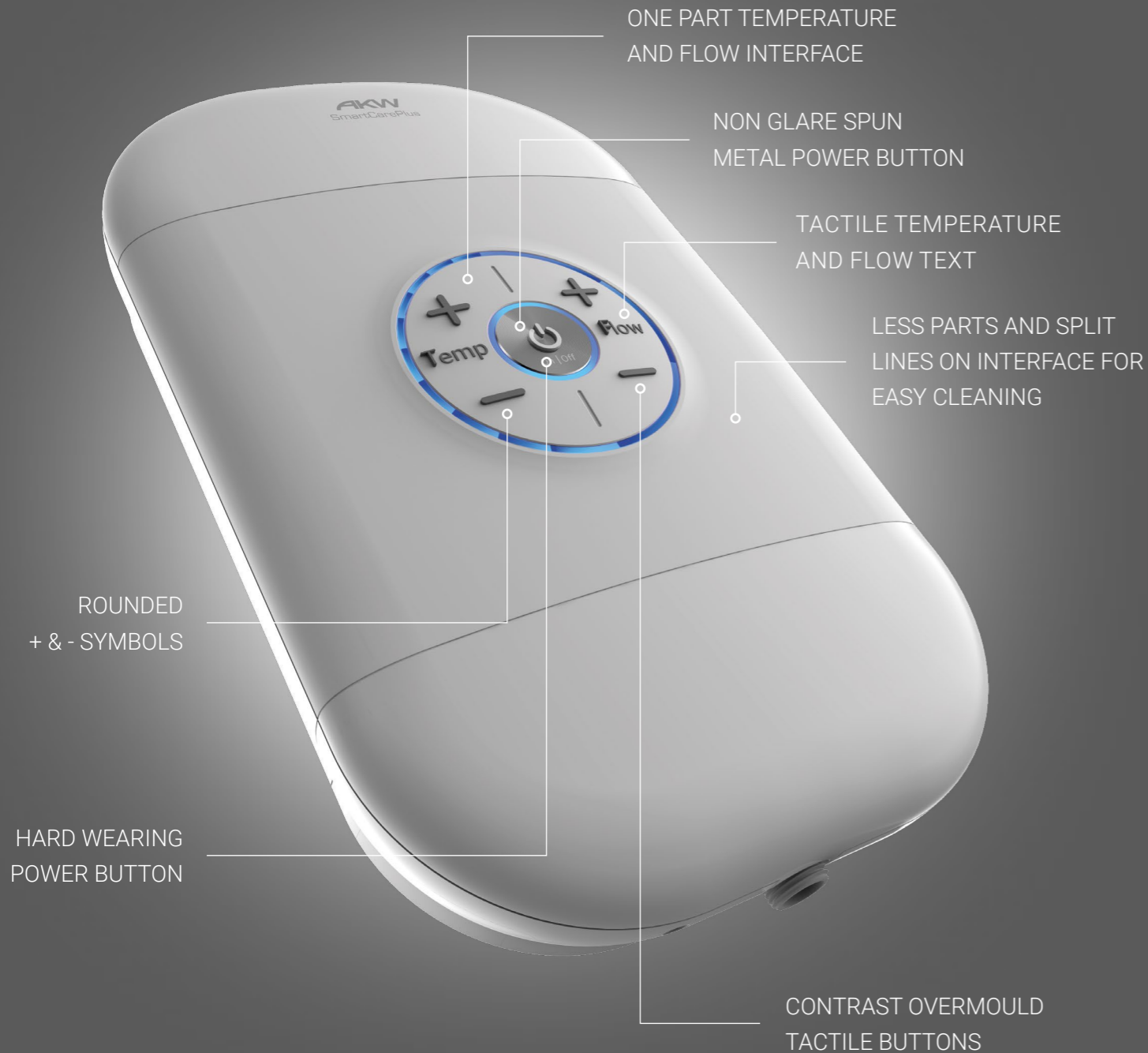




SHOWER
KITS
ON P30

REMOTE
ON/OFF
BUTTON
ON P26

WASTE
PUMPS
ON P32



Intelligently designed to make showering an easier and less stressful experience for those with visual impairment or dementia, the AKW SmartCare Plus® electric shower benefits from a number of innovative care features and comes with a care accessory kit which addresses a range of clinical needs.

Features & Benefits

- + Easy-to-use, push-button controls are grouped closely together and feature contrasting, raised tactile symbols to aid users with visual impairment and dementia
- + LED-illuminated indicators and audible beeps confirm adjustment in temperature and flow settings, ideal for those with visual impairment and dementia
- + Shower memorises last user setting for ease of use
- + RNIB mode enables the shower to be turned on with pre-defined settings
- + Matt finish central control panel aids those with visual impairment and dementia
- + Rounded surfaces and edges reduce the risk of injury in the event of a trip or fall
- + BEAB Care certified, RNIB tried and tested, and DSDC dementia-friendly product accredited
- + Thermostatically stabilised temperature
- + Maximum water temperature protection with thermal cut-out device to protect shower unit from overheating
- + Optional eco-setting limits flow rate to 6 lpm to support the reduction of water and energy consumption
- + Automatic shutdown prevents flooding and minimises water and energy wastage



- + Phased shutdown ensures a safe, reliable start up and performance
- + Includes care accessory kit:
 - 2m anti-kink hose
 - 1m, 150kg load-bearing riser rail
 - Shelf with non-handed integral hose retainers
 - Lever-operated sliding handset holder
 - Additional wall-mounted handset holder
 - 3-mode shower head
- + Care shower kit is available in various colour choices, with dark blue and mid-grey rails available to provide sufficient colour contrast for those with dementia or visual impairment
- + Optional wall-mounted Remote On/Off Button allows users/carers to turn the shower on/off from up to 10m away; available separately
- + Optional Wireless Remote control allows users/carers to turn the shower on/off and adjust temperature/flow settings from up to 10m away; available separately

SmartCarePlus

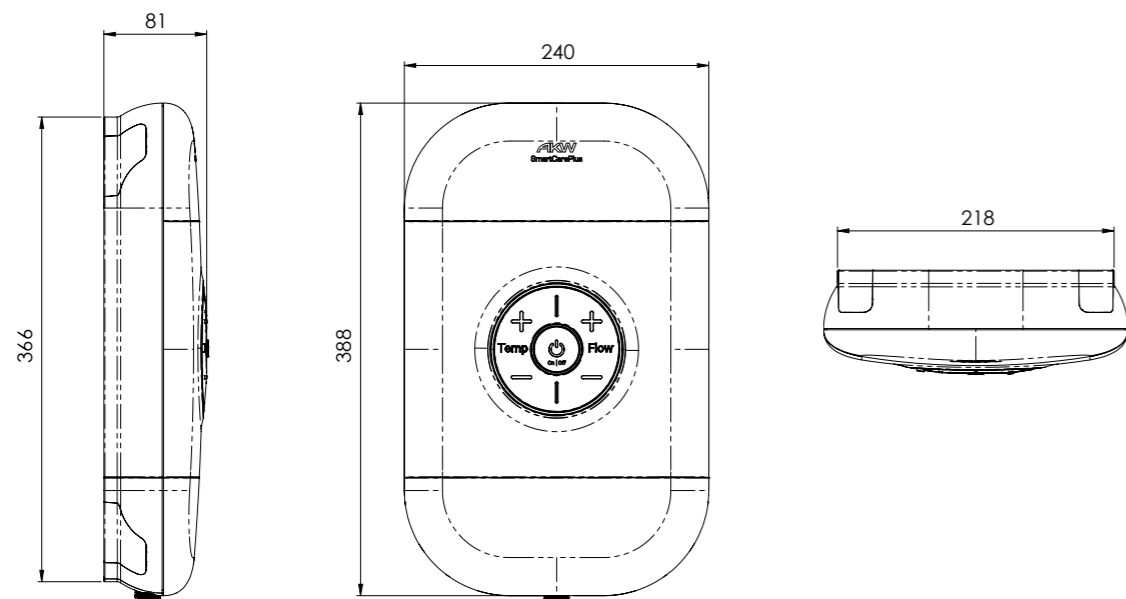
Installer Features

- + 8.5kW / 9.5kW / 10.5kW options
- + Quick and easy installation
- + 6 electrical / 6 water entry points
- + Dual power block for left or right-hand wiring
- + Retro-fit footprint covers most manufacturers' models
 - No re-tiling required
 - Existing cable and pipework compatible
- + Supplied with stainless-steel mounting bracket to support re-use of existing fixing holes
- + Comprehensive technical after-sales support
- + Wireless connectivity to AKW DigiPumps® and P12 Waste Pump
- + 5-year warranty as standard if registered within 30 days of installation

Warranty & Approvals



Dimensions (mm)



Technical Specification

Plumbing Supply

Supply Source	Mains pressure cold water only
Minimum Dynamic Pressure	50kPa (0.5 Bar) – Recommended pressure to ensure high performance is 100kPa (1 Bar)
Maximum Static Pressure	1000kPa (10 Bar)
Inlet Water Temperature Range	3°C – 28°C
Inlet Connection	15mm push-fit
Outlet Connection	1/2" BSP male thread push-fit
Waste Pump Connections	Compatible with AKW DigiPumps® and P12 Waste Pump (wireless or hard-wired connection)

Electricity Supply

Nominal Rating at 240V	8.5kW, 9.5kW & 10.5kW
Supply Fuse/Circuit Breaker	(8.5kW 35/40A), (9.5kW 40/45A) & (10.5kW 45/50A)
Residual Current Device (RCD)	30mA (must be fitted)
Supply Cable	Refer to current wiring regulations and BS 7671 to determine minimum cable size. No larger than 10mm ²
Stand-by Power Consumption	<0.5W
Isolation Switch (e.g. Pull Cord)	50 Amp Double Pole with 3mm contact separation

Physical

Water Ingress Rating	IPX4
Water & Cable Entry Points	Top, bottom or back

Entry Points



White Care Shower Kit



SmartCareLever



SmartCareLever

SHOWER
KITS
ON P30

REMOTE
ON/OFF
BUTTON
ON P26

WASTE
PUMPS
ON P32



Intelligently designed to make showering an easier and less stressful experience for those with limited dexterity, dementia, or visual impairment, the AKW SmartCare® Lever electric shower benefits from a wide range of innovative care features and is available with a choice of shower kit, with specific care accessories that address a range of clinical needs.

Features & Benefits

- + Easy-to-use lever handle with contrasting mid-grey, soft-touch insert, ideal for those with limited dexterity
- + Audible temperature control and reactive digital LED temperature display indicate settings selection for those with visual impairment
- + Contrasting tactile letters, power symbol, and pointer on the lever, as well as raised dot markers situated by the lowest and hottest temperature settings assist those with visual impairment
- + Matt finish central control panel aids those with visual impairment and dementia
- + Rounded surfaces and edges reduce the risk of injury in the event of a trip or fall
- + BEAB Care certified, RNIB tried and tested, and DSDC dementia-friendly product accredited
- + Thermostatically stabilised temperature
- + Maximum water temperature protection with thermal cut-out device to protect shower unit from overheating
- + Optional eco-setting limits flow rate to 6 lpm to support the reduction of water and energy consumption
- + Automatic shutdown prevents flooding and minimises water and energy wastage
- + Phased shutdown ensures a safe, reliable start up and performance
- + Optional wall-mounted Remote On/Off Button allows users/carers to turn the shower on/off from up to 10m away; available separately



Shower Accessory Kit Options:

- + Chrome Standard kit:
 - 2m anti-kink hose
 - 1m riser rail
 - Hose retainer
 - Adjustable handset holder
 - Additional wall-mounted handset holder
 - 3-mode shower head
 - Soap dish
- + Care kit:
 - 2m smooth anti-kink hose
 - 1m, 150kg load-bearing riser rail
 - Shelf with non-handed integral hose retainers
 - Lever-operated sliding handset holder
 - Additional wall-mounted handset holder
 - 3-mode shower head
- + Care shower kit is available in various colour choices, with dark blue and mid-grey rails available to provide sufficient colour contrast for those with dementia or visual impairment

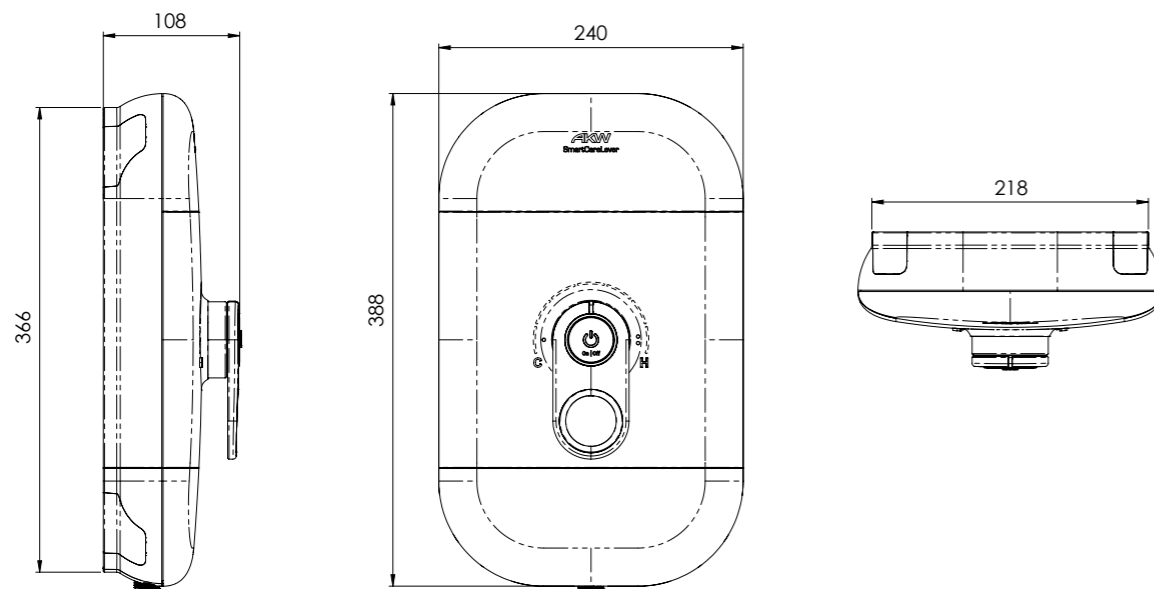
Installer Features

- + 8.5kW / 9.5kW options
- + Quick and easy installation
- + 6 electrical / 6 water entry points
- + Dual power block for left or right-hand wiring
- + Retro-fit footprint covers most manufacturers' models
 - No re-tiling required
 - Existing cable and pipework compatible
- + Supplied with stainless-steel mounting bracket to support re-use of existing fixing holes
- + Wireless connectivity to AKW DigiPumps® and P12 Waste Pump
- + 5-year warranty as standard if registered within 30 days of installation

Warranty & Approvals



Dimensions (mm)



Technical Specification

Plumbing Supply

Supply Source	Mains pressure cold water only
Minimum Dynamic Pressure	50kPa (0.5 Bar) - Recommended pressure to ensure high performance is 100kPa (1 Bar)
Maximum Static Pressure	1000kPa (10 Bar)
Inlet Water Temperature Range	3°C - 28°C
Inlet Connection	15mm push-fit
Outlet Connection	1/2" BSP male thread fitting
Waste Pump Connections	Compatible with AKW DigiPumps® and P12 Waste Pump (wireless or hard-wired connection)

Electricity Supply

Nominal Rating at 240V	8.5kW & 9.5kW
Supply Fuse/Circuit Breaker	(8.5kW 35/40A) & (9.5kW 40/45A)
Residual Current Device (RCD)	30mA (must be fitted)
Supply Cable	Refer to current wiring regulations and BS 7671 to determine minimum cable size. No larger than 10mm ²
Stand-by Power Consumption	<0.5W
Isolation Switch (e.g. pull cord)	50 Amp Double Pole with 3mm contact separation

Physical

Water Ingress Rating	IPX4
Water & Cable Entry Points	Top, bottom or back

Entry Points



Chrome Standard Shower Kit (1m Riser)



White Care Shower Kit

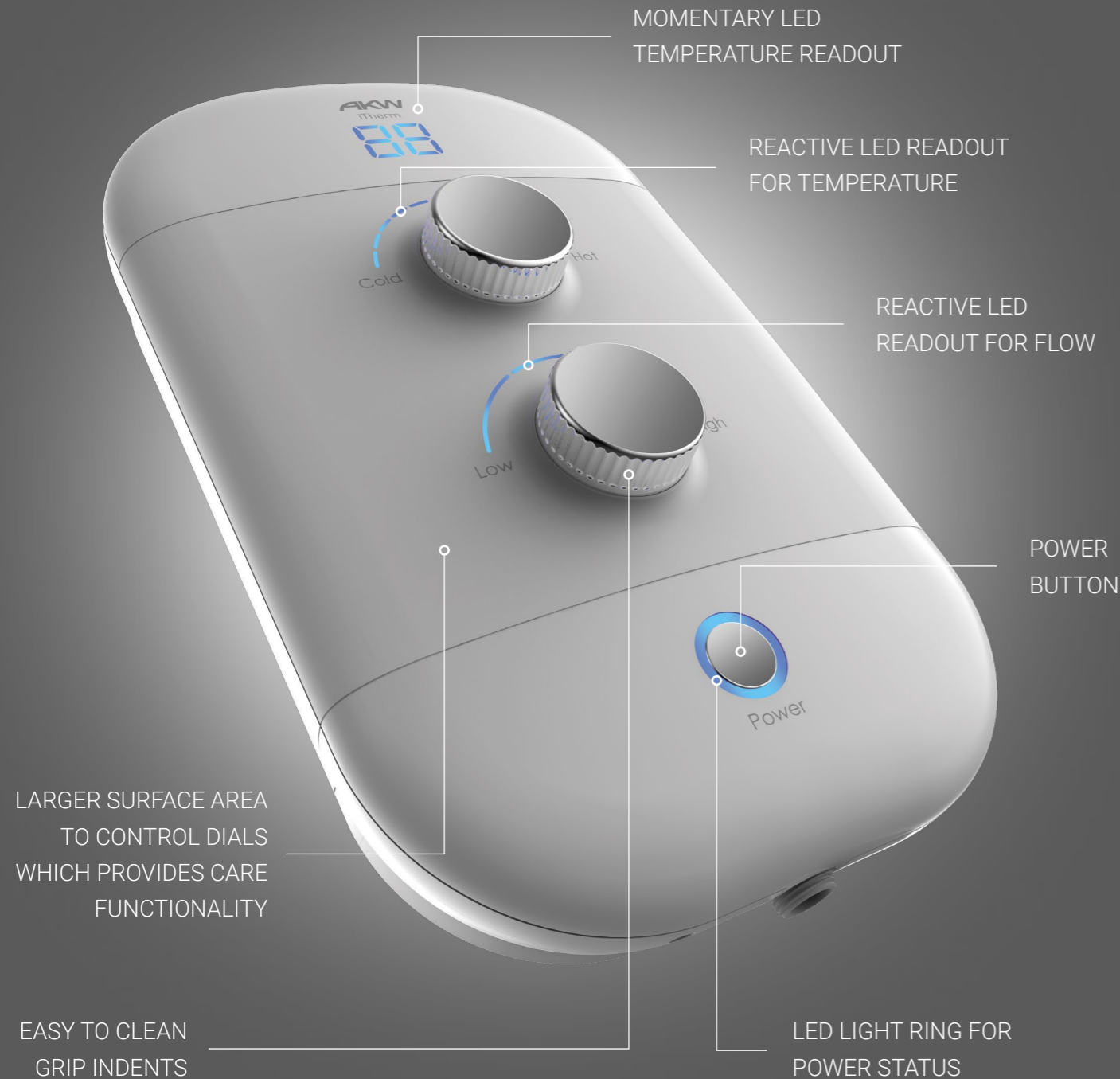


iTherm



SHOWER
KITS
ON P31

WASTE
PUMPS
ON P32



With a contemporary design and discreet care features to aid those with visual impairment, the AKW iTherm electric shower benefits from LED display, thermostatic protection, raised easy-to-grip flow and temperature controls, and comes with a stylish chrome shower kit.

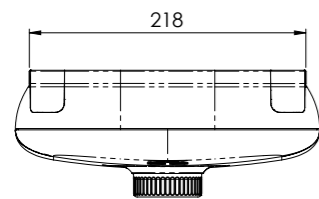
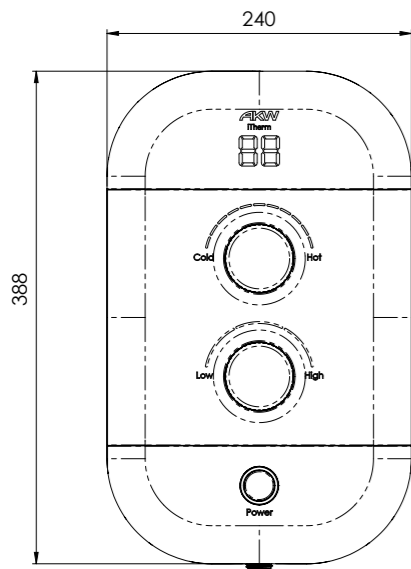
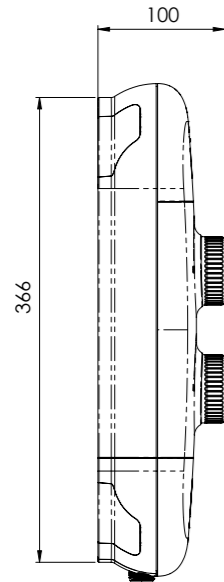
Features & Benefits

- + Easy-push power button allows you to maintain temperature/flow setting preferences
- + Power button features an LED illuminated outer bezel to aid those with visual impairment
- + Independent dials control flow and thermostatic temperature settings
- + Raised chrome dials feature a scalloped surface which is easier to grip and clean
- + Digital LED temperature display readout
- + Reactive LED display above each dial confirms temperature/flow settings selected, aiding those with visual impairment
- + Matt finish central control panel aids those with visual impairment
- + Rounded surfaces and edges reduce the risk of injury in the event of a trip or fall
- + Thermostatically stabilised temperature
- + Maximum water temperature protection with thermal cut-out device to protect shower unit from overheating
- + Optional eco-setting limiting flow rate to 6 lpm to support the reduction of water & energy consumption
- + Automatic shutdown prevents flooding and minimises water and energy wastage
- + Phased shutdown ensures a safe, reliable start up and performance



- + Includes chrome standard shower kit:
 - 2m anti-kink hose
 - 1m riser rail
 - Hose retainer
 - Adjustable handset holder
 - Additional wall-mounted handset holder
 - 3-mode shower head
 - Soap dish

Dimensions (mm)



Installer Features

- + 8.5kW / 9.5kW options
- + Quick and easy installation
- + 6 electrical / 6 water entry points
- + Dual power block for left or right-hand wiring
- + Retro-fit footprint covers many manufacturers' models
 - No re-tiling required
 - Existing cable & pipework compatible
- + Supplied with stainless-steel mounting bracket to support re-use of existing fixing holes
- + Comprehensive technical after-sales support
- + Compatible with AKW DigiPumps® and P12 Waste Pump via a hard-wired connection
- + 5-year warranty as standard if registered within 30 days of installation

Warranty & Approvals



Technical Specification

Plumbing Supply

Supply Source	Mains pressure cold water only
Minimum Dynamic Pressure	50kPa (0.5 Bar) – Recommended pressure to ensure high performance is 100kPa (1 Bar)
Maximum Static Pressure	1000kPa (10 Bar)
Inlet Water Temperature Range	3°C - 28°C
Inlet Connection	15mm push-fit
Outlet Connection	1/2" BSP male thread fitting
Waste Pump Connections	Compatible with AKW DigiPumps® and P12 Waste Pump (hard-wired connection only)

Electrical Supply

Nominal Rating at 240V	8.5kW & 9.5kW
Supply Fuse/Circuit Breaker	(8.5kW 35/40A) & (9.5kW 40/45A)
Residual Current Device (RCD)	30mA (must be fitted)
Supply Cable	Refer to current wiring regulations and BS 7671 to determine minimum cable size. No larger than 10mm ²
Isolation Switch (e.g. Pull Cord)	50 Amp Double Pole with 3mm contact separation

Physical

Water Ingress Rating	IPX4
Water & Cable Entry Points	Top, bottom or back

Entry Points



Chrome Standard Shower Kit (1m Riser)



Designed for use with AKW SmartCare Plus® and AKW SmartCare® Lever electric showers, the Remote On/Off Button allows you to start/stop the shower operating wirelessly from up to 10 metres away, offering greater flexibility and preventing users and/or carers from getting wet prematurely or unnecessarily.

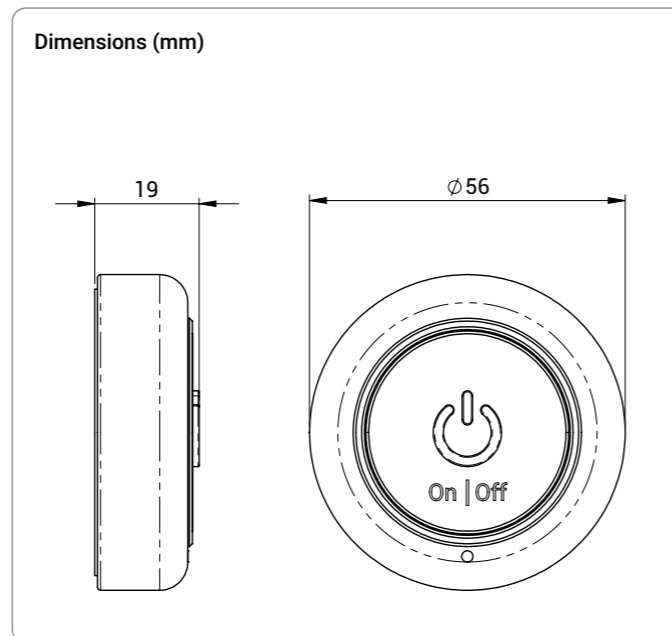
Features & Benefits

- + Soft-press push button is easy to operate
- + Designed to replicate on/off function of power button within shower heater
- + Button switches shower on/off remotely
- + Raised tactile power symbol aids those with visual impairment
- + Small LED light illuminates below the button when shower is in operation; this will flash every 10 seconds to advise when the battery is low
- + Can be installed up to 10m from the shower heater, ensuring the shower can be turned on/off without the user or carer getting wet

Technical Specification

- + Compatible with AKW SmartCare Plus® and AKW SmartCare® Lever electric showers only
- + Wall mount using double-sided tape, or fixings (supplied)
- + Requires 1 x CR2032 coin cell battery (not supplied)

Warranty & Approvals



Compatible with the AKW SmartCare Plus®, this wireless remote control provides additional flexibility by enabling users and carers to adjust the shower settings from up to 10m away.

Tactile raised symbols in contrasting mid-grey offer push-button control of power, temperature and flow settings, within a fully waterproof case which is easy to use and can be attached to any flat surface for simple storage.

Features & Benefits

- + Raised, tactile, mid-grey contrasting symbols provide greater flexibility and control, and are designed to assist the visually impaired
- + Push-button controls adjust the power, temperature and flow
- + White casing with matt, anti-glare finish
- + Fully waterproof design incorporates high grip casing for safety and durability
- + Can be used up to 10m away from the shower heater, ensuring the shower can be easily operated without the carer getting wet
- + Blue LED light at the top of the remote indicates when the remote is functioning; this will flash twice every 10 seconds to advise when the batteries are low
- + Can be wall mounted or attached to any flat surface for easy storage when not in use

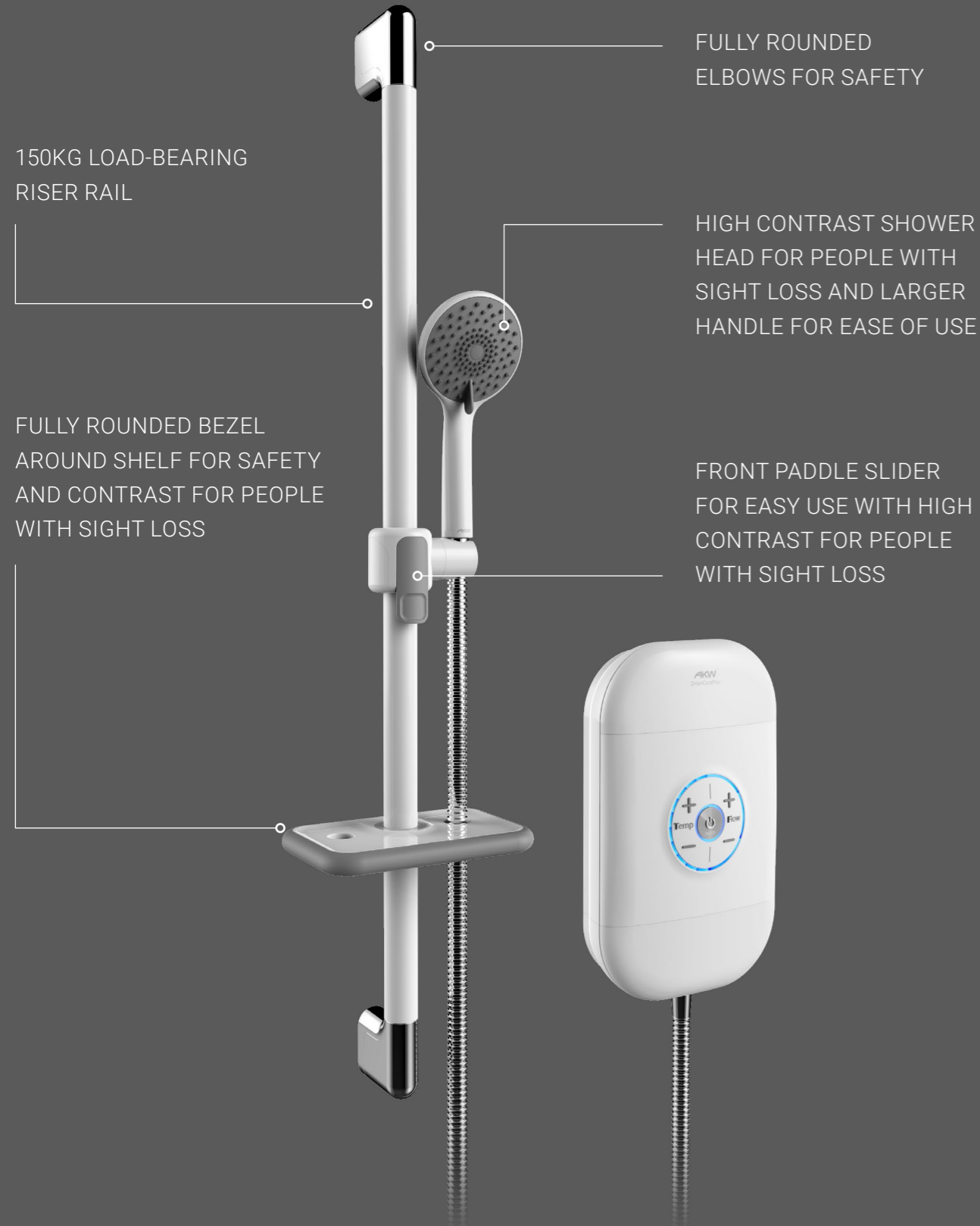
Technical Specification

- + Compatible with AKW SmartCare Plus® electric showers only
- + Wall mount cradle supplied for storing remote outside of the shower enclosure
- + Glass mount suction cups x 2 supplied for storing remote inside the shower enclosure
- + Requires 2 x AAA batteries (not supplied)



Shower Kits | Key Design Features

AKW SmartCare® Showers Care Kit



150KG LOAD-BEARING RISER RAIL

FULLY ROUNDED ELBOWS FOR SAFETY

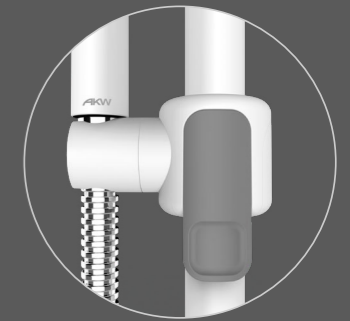
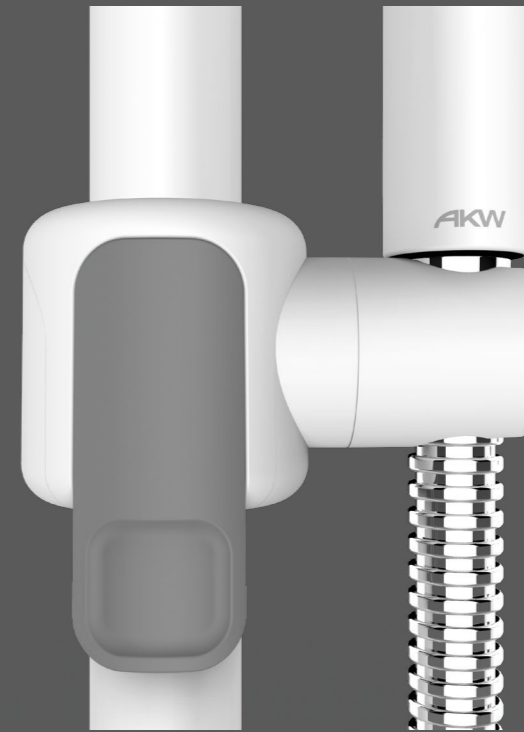
HIGH CONTRAST SHOWER HEAD FOR PEOPLE WITH SIGHT LOSS AND LARGER HANDLE FOR EASE OF USE

FULLY ROUNDED BEZEL AROUND SHELF FOR SAFETY AND CONTRAST FOR PEOPLE WITH SIGHT LOSS

FRONT PADDLE SLIDER FOR EASY USE WITH HIGH CONTRAST FOR PEOPLE WITH SIGHT LOSS

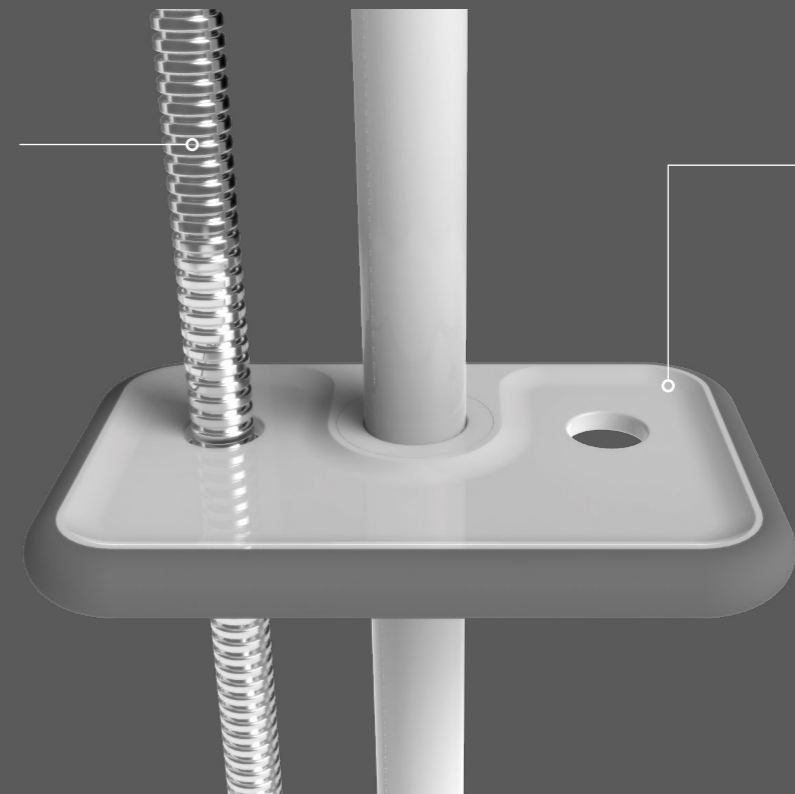


Slider & Shelf



HANDSET HOLDER CAN BE SWAPPED TO EITHER RIGHT OR LEFT

HOSE CAN BE ACCOMMODATED ON LEFT OR RIGHT POSITION



NO DIRT TRAPS IN CORNERS FOR EASY CLEANING

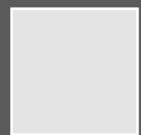



 AKW SmartCare Plus® and SmartCare® Lever electric showers (with care showers kits) have been awarded DSDC dementia-friendly product accreditation

Shower Kits | Options

AKW SmartCare® Showers Care Kits

Chrome Standard Kit - 1m Riser



RNIB

Tried and Tested



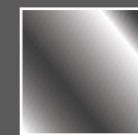
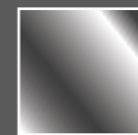
RNIB

Tried and Tested



RNIB

Tried and Tested



AKW Pumps Range



AKW DigiPumps®

The AKW DigiPump® range provides quiet, reliable, and high-performance waste drainage in showering areas where gravity drainage is not achievable.

Quick and easy to install, AKW DigiPumps® are compatible with our wide range of pumped wastes and shower trays. M11 (11 lpm) models are ideally suited for use with electric showers, with M17 (17 lpm) and M20 (20 lpm) models better suited for mixer showers with higher flow volumes.

Features & Benefits

- + Superior pump performance with between 11-20 lpm maximum capacity in a 'real life scenario'
- + Safe for use with IP45 rating
- + Pump head features four valves with flap valve and bowl design, two non-return valves, and is reversible to allow for installation of inlet pipework from the left or right
- + Suitable for use with wide range of electric and/or mixer showers of different makes via settings
- + Offers a wireless connection to the flow sensor within AKW SmartCare Plus® and AKW SmartCare® Lever electric showers
- + Automatically responds to the shower being operated via internal or external flow sensor
- + A hard-wired connection can be made to the flow sensor of an iTherm electric shower and many other brands



Wireless Pump Module

The Wireless Pump Module connects the AKW SmartCare Plus® and AKW SmartCare® Lever electric showers to AKW DigiPumps® and the P12 Waste Pump by receiving information from the shower and transmitting it to the pump.

The wireless module comes with a PCB that is plugged into the shower, wirelessly connecting it to the pump. Our range of DigiPumps® enable waste drainage where gravity drainage isn't achievable, with the wireless module removing the need to feed wires behind existing tiling or wall panels.

- + External wireless communication device compatible with AKW SmartCare Plus® and AKW SmartCare® Lever electric showers
- + Once the wireless pump module is paired with the shower it will remain connected even if both the shower and pump are isolated from the mains supply
- + The module continually checks the link between the pump and the shower
- + Works with AKW SmartCare Plus® and AKW SmartCare® Lever electric showers without the need to configure



Auxiliary Pump Switch

The Auxiliary Pump Switch is designed to activate the pump to drain water away without the need to turn on the shower. This helps facilitate cleaning and excess water drainage.

- + All AKW DigiPumps® and the P12 Waste Pump can be turned on/off externally with the momentary switch that contains an internal spring so that it automatically resets to OFF upon release

Warranty & Approvals



P12 Waste Pump

The P12 Waste Pump provides silent, reliable and high-performance waste drainage in showering areas where gravity drainage is not achievable.

Quick and easy to install, the P12 Waste Pump is compatible with our wide range of pumped wastes and shower trays. The P12 Waste Pump is suitable for use with electric and mixer showers. When installed with a mixer shower, an additional flow switch and flow limiters are required.

Features & Benefits

- + Reliable pump performance with 12 lpm maximum capacity in a 'real life scenario'
- + Provides proportional speed control when incorporated with compatible AKW SmartCare® showers
- + Variable speed controller is designed to be highly efficient and match the flow volumes of electric and mixer showers
- + Near silent operation for a relaxed showering experience
- + Reliable peristaltic pump design
- + Optional auxiliary switch, designed to activate the pump to drain water away without the need to turn on the shower
- + A hard-wired connection can be made to the flow sensor of an AKW SmartCare Plus®, AKW SmartCare® Lever, iTherm and many other brands



Technical Specification

Plumbing Supply









Maximum flow rate	Up to 12 lpm
Variable speed	Yes (4-12 lpm)
Retro-fit	Yes
Compatible wastes	Yes, 22mm Outlet*
Inlet & outlet connection	22mm

For optimum performance of 12 lpm, installation should be no higher than 350mm from the top of the waste to the underside of the wall plate.

Warranty & Approvals



AKW is committed to ensuring our products comply with all mandatory legislation, with many also having been tested to voluntary standards.

 <p>The DSDC logo identifies products that have been awarded DSDC dementia-friendly product accreditation*.</p>	 <p>The RNIB Mark identifies products that are easy to use if you're blind or partially sighted.</p>
 <p>Products that carry the BEAB Care Mark comply with additional safety/performance criteria for use in hospitals and other care establishments.</p>	 <p>BEAB Approval is used by electrical manufacturers to support CE Marking and demonstrate conformity with Low Voltage Directive (LVD).</p>
 <p>WRAS Approval demonstrates that a product won't cause waste, misuse, undue consumption or contamination of the water supply.</p>	 <p>Products carrying the EMC Mark have been approved through Electromagnetic Compatibility (EMC) Testing from Intertek.</p>
 <p>For any product carrying the UKCA Mark, we can supply a copy of the relevant Declaration of Performance (CPR) or Conformity (MDD).</p>	 <p>For any product carrying the CE Mark, we can supply a copy of the relevant Declaration of Performance (CPR) or Conformity (MDD).</p>



*The Dementia Services Development Centre at the University of Stirling have undertaken a review of this product and have rated it's design in relation to dementia design principles and it's usability within a dementia-inclusive environment. For ease of identification, the suitability of the product is classified by number with corresponding explanation of use, within the ratings key provided.

The DSDC Accredited Product logo is awarded on the merit of the individual product and colour-way. This accreditation does not merit the manufacture or final application of the product. Whilst every endeavour has made to ensure the ratings are reflective of the products suitability and applied use at the time of print, DSDC cannot be held responsible for the application of the final product, it's performance or its interface with other products or finishes. For an environment to be considered 'dementia-inclusive' or 'dementia-friendly' careful consideration must be given to the specification of adjoining finishes, their performance use.

Warranties and Approvals

SmartCare Plus®














The AKW SmartCare Plus® electric shower has been awarded DSDC dementia-friendly product accreditation

SmartCare® Lever














The AKW SmartCare® Lever electric shower has been awarded DSDC dementia-friendly product accreditation

iTherm
















AKW DigiPump®









Wireless Pump Module









P12 Waste Pump



Auxiliary Pump Switch



Water and Energy Saving

AKW has created a range of water-saving products that help social landlords, care homes, and tenants reduce water/energy usage and save money on bills.

Electric Showers Can Save Energy and Water

Electric showers take water from the mains cold water supply and pass it through an element inside the shower unit which heats the water. This is more economical as it only heats water when it is needed, saving both energy and water.

As well as the economic impact, electric showers offer benefits for the environment, as they reduce the electricity used and water required, compared to conventional showering systems.



Download our **Water & Energy Cost Saving Guide** here



New Built-In Timer Facility

Our new thermostatic electric showers have a built-in timer facility so that the user can choose how long the shower will run for:

- + This can be programmed during installation and a flash/beep will occur when there is one minute left of showering time
- + This can be overridden by pressing the on/off button if more showering time is required
- + It encourages awareness of the time spent in the shower, helping users who are wanting to reduce their water and energy bills to make considered showering choices

AKW SmartCare Plus®



The AKW SmartCare Plus® shower is available with a remote for ultimate water usage management:

- + Ideal for independent or assisted showering, the AKW SmartCare Plus® shower comes with a remote control that can adjust power, temperature, and flow to maximise water saving potential for the user
- + The shower is RNIB, BEAB Care and DSDC approved

Product Codes

SmartCarePlus

AKW SmartCare Plus® 8.5kW & Chrome Care Kit	29012CH
AKW SmartCare Plus® 9.5kW & Chrome Care Kit	29011CH
AKW SmartCare Plus® 10.5kW & Chrome Care Kit	29010CH
AKW SmartCare Plus® 8.5kW & White Care Kit	29012WH
AKW SmartCare Plus® 9.5kW & White Care Kit	29011WH
AKW SmartCare Plus® 10.5kW & White Care Kit	29010WH
AKW SmartCare Plus® 8.5kW & White Care Kit (Mid-Grey Rail)	29012MG
AKW SmartCare Plus® 9.5kW & White Care Kit (Mid-Grey Rail)	29011MG
AKW SmartCare Plus® 10.5kW & White Care Kit (Mid-Grey Rail)	29010MG
AKW SmartCare Plus® 8.5kW & White Care Kit (Dark Blue Rail)	29012DB
AKW SmartCare Plus® 9.5kW & White Care Kit (Dark Blue Rail)	29011DB
AKW SmartCare Plus® 10.5kW & White Care Kit (Dark Blue Rail)	29010DB

SmartCareLever

AKW SmartCare® Lever 8.5kW & Chrome Standard Kit (1m Riser)	29090
AKW SmartCare® Lever 9.5kW & Chrome Standard Kit (1m Riser)	29091
AKW SmartCare® Lever 8.5kW & Chrome Care Kit	29090CH
AKW SmartCare® Lever 9.5kW & Chrome Care Kit	29091CH
AKW SmartCare® Lever 8.5kW & White Care Kit	29090CGR
AKW SmartCare® Lever 9.5kW & White Care Kit	29091CGR
AKW SmartCare® Lever 8.5kW & White Care Kit (Mid-Grey Rail)	29090CGR-MG
AKW SmartCare® Lever 9.5kW & White Care Kit (Mid-Grey Rail)	29091CGR-MG
AKW SmartCare® Lever 8.5kW & White Care Kit (Dark Blue Rail)	29090CGR-DB
AKW SmartCare® Lever 9.5kW & White Care Kit (Dark Blue Rail)	29091CGR-DB

Remotes

AKW SmartCare® Showers Remote On/Off Button	30316
Wireless AKW SmartCare Plus® Remote	30318

iTherm

AKW iTherm 8.5kW & Chrome Standard Kit (1m Riser)	29024
AKW iTherm 9.5kW & Chrome Standard Kit (1m Riser)	29025

Spares & Accessories

Spiral Shower Hose (2m)	21-005-395
CAT5 Hose Retainer	18-003-045
Easy Clean Chrome Shower Handset with Spare White Face Plate	13-012-269
Easy Clean Shower Handset Spare White & Grey Face Plates	13-012-270
AKW Shower Handset White	21-005-396
Shower Isolation Pull Cord Switch 50A with Back Box	30160
AKW Shower Handset Chrome	21-005-397
AKW Electric Showers Halo Wall Plate	21-005-390

AKW Pumps Range

DigiPumps®

M11 DigiPump®	25470
M17 DigiPump®	25450
M20 DigiPump®	25460

P12 Waste Pump

P12 Waste Pump Link	05PP01-L
P12 Digital Pump Controller	05PP10D

Optional Extras

Wireless Pump Module	30315
Auxiliary Pump Switch	25488



AKW[®]
Life Made Better

Orders & Quotes

01905 823 299
orders@akw-ltd.co.uk

General Enquiries

01905 823 298
sales@akw-ltd.co.uk

Technical Enquiries

01905 560 219
tech@akw-ltd.co.uk

AKW

Pointon Way, Hampton Lovett
Droitwich Spa, WR9 0LR

www.akw-ltd.co.uk
orders.akw-ltd.co.uk

