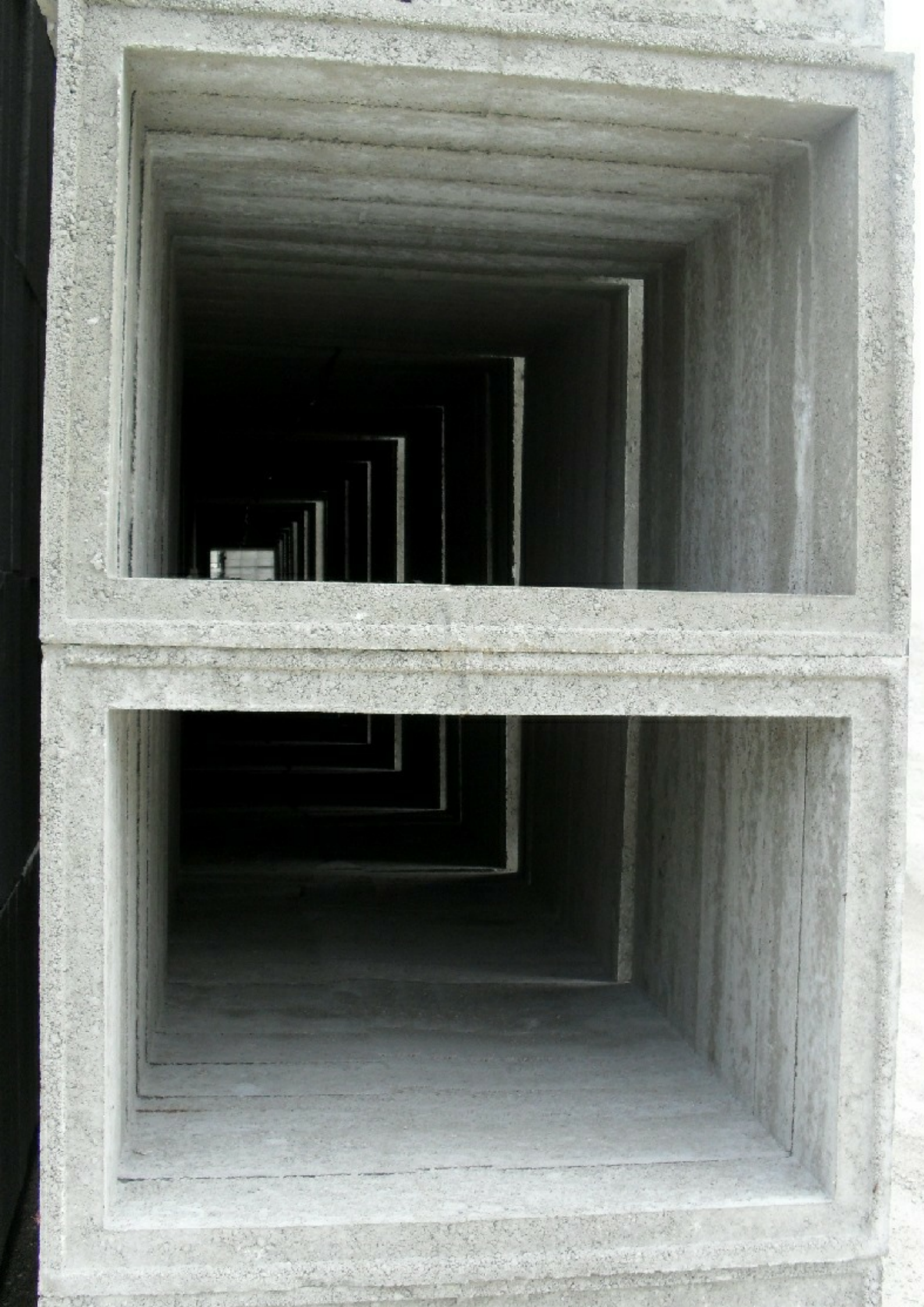


Utilities



Concrete Solutions

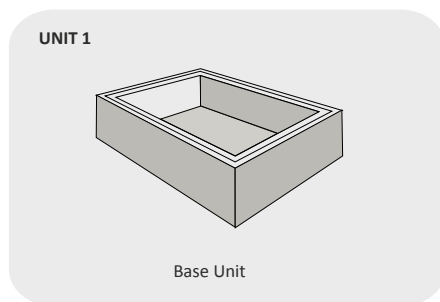


Sometimes called Gullies or Road Gullies. Catchpits are normally used only on rural roadways and are designed to receive standard 405 x 355mm Gully Grids. The depth above and below the invert can be varied with the use of filler units and pipe openings can be situated on a combination of sides. The pair of Half Centre Sections give a 255mm dia. opening which are normally filled with the Spigot and/or Socket Connections (not essential for non-standard large pipes).

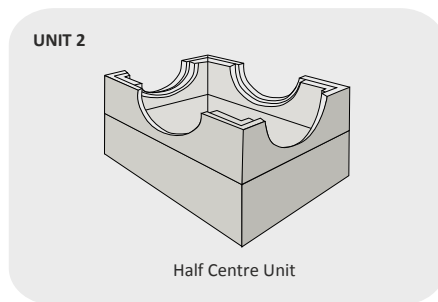
Usually sold to Local Authorities.

There is no min/max amount of connections per pallet, as pallet sizes vary and in the event of small mixed loads, connections are placed inside Filler Units and Half Centre Sections in order to minimize pallet numbers.

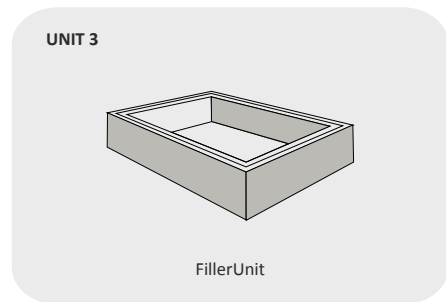
Assembly Details



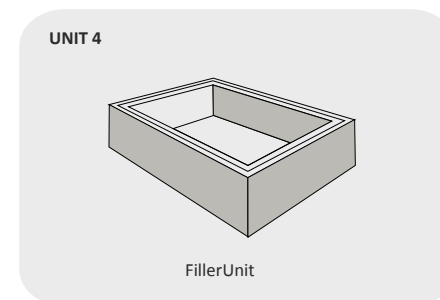
(Open top closed bottom) is placed at the bottom of the excavated hole to the required level



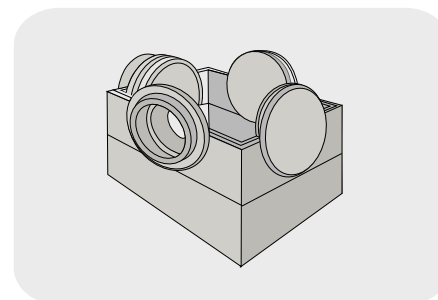
(Open top and bottom and holed half round 4 faces) is placed on UNIT 1 ready to receive the required connections. UNIT 5 5, 5A, 6, 7, 9. This unit is also made with 1, 2 or 3 openings (reference 2A, 2B, and 2C respectively).



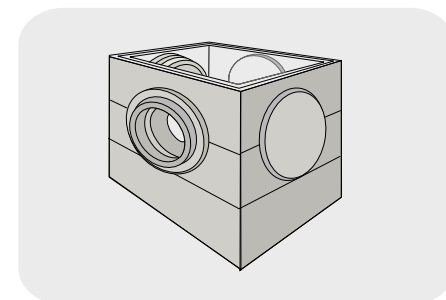
102mm (4") deep filler unit open top and bottom. Filler units 51mm (2") and 76mm (3") deep are also available - reference 3A and 3B respectively.



203mm (8") deep filler unit open top and bottom.



Filler units are used to provide extra depth of sump by inserting between UNIT 1 and UNIT 2 and to provide extra depth to invert by inserting between UNIT 2 and cast iron frame.



UNIT 2 (reversed in fixing) is then superimposed on the assembled unit connections and the catchpit is then ready to receive cast iron cover and frame.

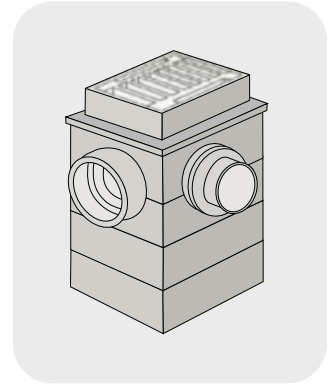
Catchpit Units

	Product Description (mm)	Product Weight (ap.) (kg)	Quantity (per pack)	Pack Weight (ap.) (kg)	Product Ordering Code
TYPES	Catch 1 Catchpit Base Units 457x344x200	70.00	20	1400	WCPCATCH1
	Catch 2 Catchpit Sections 457x344x250	36.00	16	576	WCPCATCH2
	Catch 2A Catchpit Sections 457x344x250	49.00	16	784	WCPCATCH2A
	Catch 2B Catchpit Sections 457x344x250	46.00	16	736	WCPCATCH2B
	Catch 2C Catchpit Sections 457x344x250	41.00	16	656	WCPCATCH2C
	Catch 3 Catchpit Sections 457x344x100	23.00	40	920	WCPCATCH3
	Catch 3A Catchpit Sections 457x344x50	11.00	80	880	WCPCATCH3A
	Catch 3B Catchpit Sections 457x344x75	17.00	60	1020	WCPCATCH3B
	Catch 4 Catchpit Sections 457x344x200	47.50	20	950	WCPCATCH4
	Catch 5 Catchpit 150 Spigot Connections	10.00	25	250	WCPCATCH5
	Catch 5 Catchpit 150 Spigot Connections Twin Wall	10.00	25	250	WCPCATCH5TW
	Catch 45° Catchpit 150 Spigot Connections at 45°	10.00	25	250	WCPCATCH5A
	Catch 9 Blank Connections	14.00	100	1400	WCPCATCH9
	Catch 6 150 Socket Connections	9.00	100	900	WCPCATCH6

Catchpits

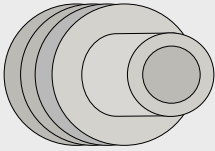
Sectional Catchpits

TYPES	Product Description (mm)	Product Weight (ap.) (kg)	Product Depth (mm/")	Product Ordering Code
	457x344 (18"x13.5")	70.00	200 (8")	WCPCATCH1
	457x344 (18"x13.5")	36.00	250 (10")	WCPCATCH2
	457x344 (18"x13.5")	23.00	100 (4")	WCPCATCH3
	457x344 (18"x13.5")	45.50	200 (8")	WCPCATCH4



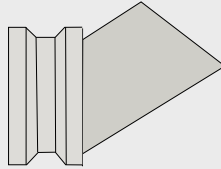
Catchpit Accessories

UNIT 5



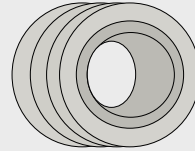
152mm (6")
Spigot Connection

UNIT 5A



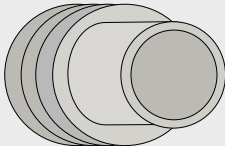
45°
Angled Outlet

UNIT 6



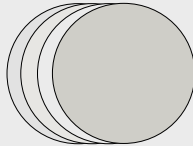
152mm (6")
Socket Connection

UNIT 7



203mm (8")
Spigot Connection

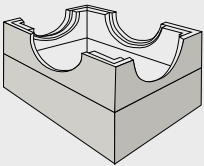
UNIT 9



Blank Connection

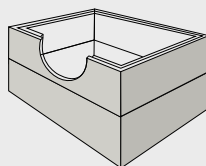
Catchpit Options

UNIT 2



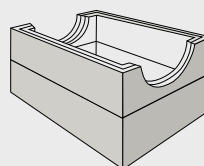
4 Openings

UNIT 2A



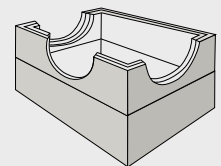
1 Opening

UNIT 2B



2 Openings

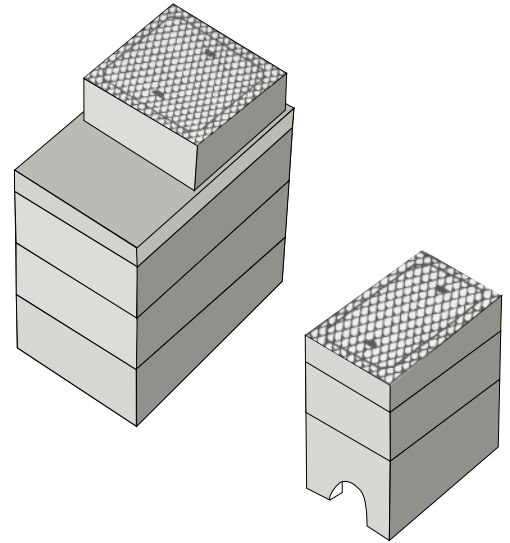
UNIT 2C



3 Openings

Standard Range

- Interlocking joint to ensure maximum strength and rigidity.
- Manufactured in modern controlled factory conditions to BS 5911.
- Resists ingress of groundwater when units are bedded in.
- Approved for use by local authorities.
- A range of 4 sizes designed to meet the requirements of BS 8301 and the Building Regulations 1985.
- 1200 x 750, 900 x 600, 600 x 600, 600 x 450.
- Quick, economical, permanent.
- Choice of chamber component sizes to achieve a variety of depths.



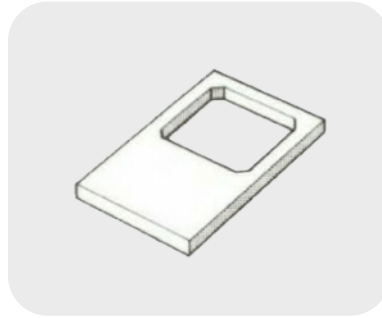
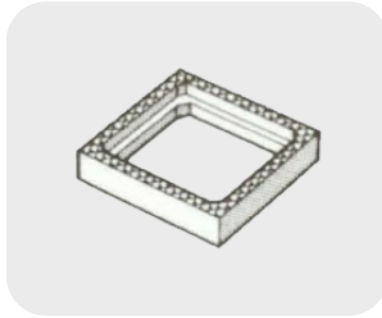
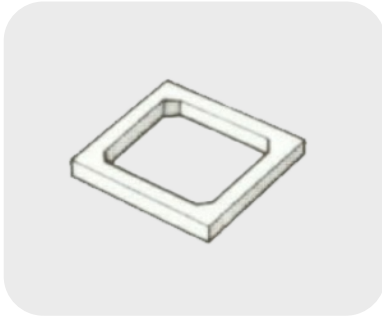
Adaptors

TYPES	Product Description (mm)	Product Weight (ap.) (kg)	Quantity (per pack)	Pack Weight (ap.) (kg)	Product Ordering Code
	430 x 280mm Adaptor - S.124	36.60	20	732	CH430280AD
	610 x 455mm Adaptor - S.111	54.40	10	544	CH600450AD
	230 x 230 x 75mm adaptor, 300 x 300mm o/a, 160 x 160mm op. -S.235	14.10	100	1410	CH230230AD



Drainage Chamber System

Cover Frames



TYPES	Product Description (mm)	Product Weight (ap.) (kg)	Quantity (per pack)	Pack Weight (ap.) (kg)	Product Ordering Code
	600 x 600 Cover Frame -6/E/S	57.70	6	346	D600600FRAME

Suitable for foot traffic only.

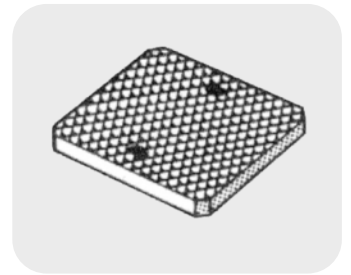
Cover Slabs

TYPES	Product Description (mm)	Product Weight (ap.) (kg)	Quantity (per pack)	Pack Weight (ap.) (kg)	Product Ordering Code
	600 x 600 Cover Slab -6/G/S	51.00	6	306	D600600LID

Can only be used in situations where they only encounter foot traffic.

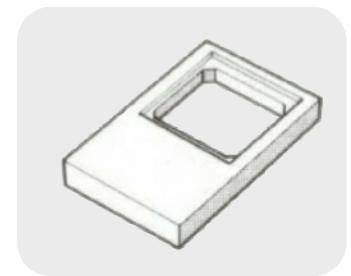
With the use of the light or heavy duty slabs the chamber can be reduced in size to 600 x 600mm as the chamber approaches the surface (to save cost and to overcome any installation difficulties) if the situation permits.

Cover slabs are not standard production products. It is essential that RPC Ltd obtain a reinforcing schedule and quantity required, as well as slab thickness, opening size and position of opening.



Reducer Slabs

TYPES	Product Description (mm)	Product Weight (ap.) (kg)	Quantity (per pack)	Pack Weight (ap.) (kg)	Product Ordering Code
	900 x 600 to 600 x 455mm Reducer -24/RL	122.00	6	732	CH900600TO600450REDLD
	900 x 600 to 600 x 455mm H.D. Reducer -24/RL/HD	186.00	6	1116	CH900600TO600450REDHD
	900 x 600 to 600 x 600mm Reducer -24/RL/600	102.00	6	612	CH900600TO600600REDLD
	900 x 600 to 600 x 600mm H.D. Reducer -9/F/HD	151.00	6	906	CH900600TO600600REDHD
	1200 x 750 LD Reducer 600 x 600 opening -12/RS/6	222.00	6	1332	D1200750CS100
	1200 x 750 HD Reducer 600 x 600 opening -12/F/HD	320.00	6	1920	D1200750CS150
	1200 x 750 HD Reducer 1200 x 675 op	248.20	6	1489	D1200750SPCS



Bearing Slabs*

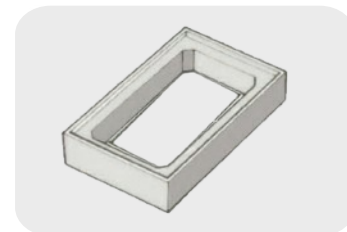
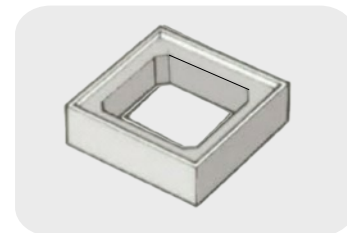
* Bearing slabs - sometimes called bases by customers

TYPES	Product Description (mm)	Product Weight (ap.) (kg)	Quantity (per pack)	Pack Weight (ap.) (kg)	Product Ordering Code
	430 x 280 x 75mm Bearing Slab - BR/13/75	26.40	50	1320	CH430280BRS
	610 x 455 x 75mm Bearing Slab - BR/17/75	68.80	10	688	CH600450BRS
	430 x 280 x 75mm split bearing slab with 230mm offset opening (Hydrant) -BCO/13/75	33.90	50	1695	CH430280BRSCOS
	430 x 280 x 75mm split bearing slab with 230mm central opening (Valve) -BCC/13/75	33.90	50	1695	CH430280BRSCO
	230 x 230 x 75mm Bearing Slab- 450x450 o/a, 230x230mm op -BR/7/75	19.50	50	975	CH230230BRS

Drainage Chamber System

Wall Sections

	Product Description (mm)	Product Weight (ap.) (kg)	Quantity (per pack)	Pack Weight (ap.) (kg)	Product Ordering Code
HIC	900 x 600 x 75mm Walls -24/D	47.01	12	564	CH90060075
	900 x 600 x 100mm Walls -24/C	63.08	10	631	CH900600100~
	900 x 600 x 150 mm Walls -24/A	89.20	7	624	CH900600150~
	600 x 450 x 75mm Walls (75mm thick)-IS/17/75	35.02	12	420	CH60045075 *
	600 x 450 x 100mm Walls (75mm thick)-IS/17/100	45.41	10	454	CH600450100*
	600 x 450 x 150mm Walls (75mm thick)-IS/17/150	70.00	7	490	CH600450150* ~
	600 x 600 x 75 Walls -6/D	31.30	12	376	D60060075 **
	600 x 600 x 100 Walls -6/C	41.70	10	417	D600600100**
	600 x 600 x 150 Walls -6/A	63.00	7	441	D600600150**
	1200 x 750 x 100 Walls -12/N	78.00	10	780	D1200750100
	1200 x 750 x 150 Walls -12/M	116.50	7	815	D1200750150
	1200 x 750 x 200 Walls -12/K	155.00	5	775	D1200750200
	1200 x 750 x 300 Walls -12/L	233.00	4	932	D1200750300



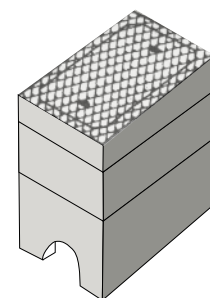
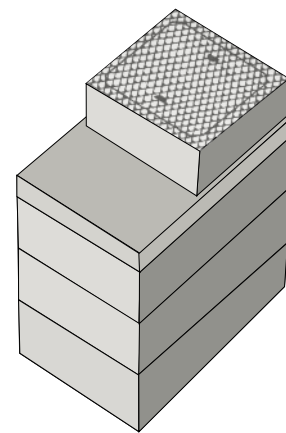
~ Also available on edge (OE)

* Originally designed for water company usage as large valve chambers and meter chambers, are now also used as house inspection chambers as they have 75mm thick steel reinforced walls, and because the 45mm thick un-reinforced wall **cannot** be used below ground for safety reasons. Receives standard 600 x 450mm metal surface boxes. Plus S.111 reduces to 430 x 280mm and 380 x 230mm clear opening metal surface boxes. **Also available: palletised (P) and on edge (OE) for 100mm.**

** Generally used as House Inspection Chamber - now becoming more popular (in place of 600 x 450mm chambers) as new H&S regulations are being implemented to ensure safe ingress and egress by operatives. Receives standard 600 x 600mm metal surface boxes. Also accepts RPC concrete lid & frame - 6/G/S and 6/E/S. Walls have filleted corners for added strength. Covers - 6/G/S and Frames - 6/E/S are suitable for foot traffic only.

Water Chamber Wall Units

	Product Description (mm)	Product Weight (ap.) (kg)	Quantity (per pack)	Pack Weight (ap.) (kg)	Product Ordering Code
TYPES	150 x 150 x 75mm Walls -ISR/3/75	5.10	250	1275	CH15015075 *
	150 x 150 x 100mm Walls -ISR/3/100	7.00	200	1400	CH150150100*
	150 x 150 x 150mm Walls -ISR/3/150	10.00	150	1500	CH150150150*
	230 x 230 x 75mm Walls -IS/7/75	13.40	100	1340	CH23023075 **
	230 x 230 x 100mm Walls -IS/7/100	18.62	72	745	CH230230100**
	230 x 230 x 150mm Walls -IS/7/150	27.12	54	1464	CH230230150**
	430 x 280 x 55mm Walls -IS/13/55	15.00	80	1200	CH43028055 ***
	430 x 280 x 75mm Walls -IS/13/75	22.53	50	1126	CH43028075 ***
	430 x 280 x 100mm Walls -IS/13/100	30.00	40	1200	CH430280100***
	430 x 280 x 150mm Walls -IS/13/150	45.29	24	1087	CH430280150***
	750 x 750 x 100mm Walls - WB30304	59.00	10	590	LW750750100
	750 x 750 x 150mm Walls - WB30306	89.00	7	623	LW750750150
	900 x 900 x 100mm Walls - WB36364	70.00	10	700	LW900900100
	900 x 900 x 150mm Walls - WB36366	105.00	7	735	LW900900150
	990 x 600 x 100mm Walls - WB39244	61.70	10	617	LW990600100
	990 x 600 x 150mm Walls - WB39246	93.54	7	655	LW990600150
	1066 x 900 x 150mm Walls - WB42366	113.00	7	791	LW1065900150
	1200 x 900 x 100mm Walls - WB48364	87.00	10	870	LW1200900100
	1200 x 900 x 150mm Walls - WB48366	119.00	7	833	LW1200900150
	1200 x 1200 x 150mm Walls - WB48486	143.00	7	1001	LW12001200150
1370 x 900 x 150mm Walls - WB54366	128.00	7	896	LW1370900150	
1830 x 1220 x 150mm Walls - WB72486	167.00	7	1169	LW18001200150	



* Normal usage for stop-taps situated outside every property have a water supply. Also used by some water companies in place of 230x230mm chambers for use as spindle guides. Receives standard 150 x 150mm metal stop tap box.

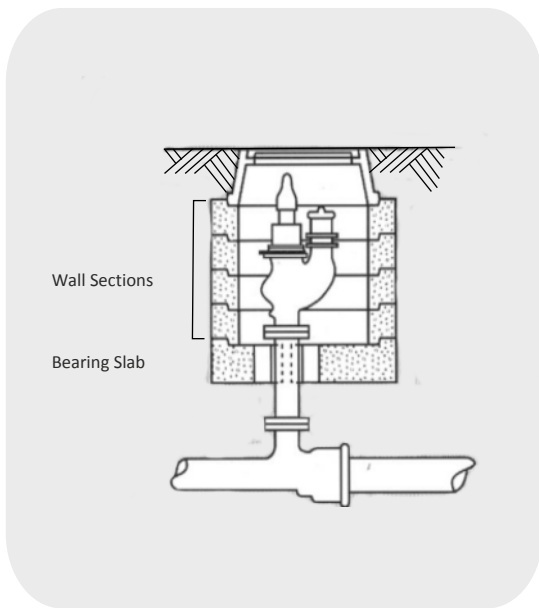
** Mainly sold to Water Companies as valve chambers. Receives standard 230 x 230mm metal valve box. Plus S.235 reduces to 150 x 150mm (8.50kgs)The S.235 is used when the user is installing the chamber as a spindle guide. (This reduces the overall chamber cost by using a less costly surface box). **Also available: palletised (P) for 100/150mm (72 units per pack) and on edge (OE) for 100mm (40 units per pack).**

*** Mainly sold to Water Companies as hydrant, valve or meter chambers. Receives standard 430 x 280mm and 380 x 230mm metal surface boxes. Plus S.124 reduces to 230 x 230mm. **Available: palletised (P) for 100/150mm and on edge (OE) for 100mm.**

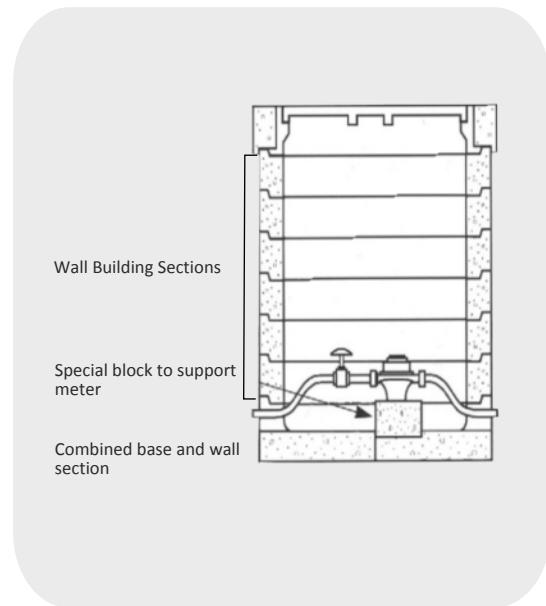
Chambers for the Water Industry

- For the protection of Hydrants, Valves, Meters and Stopcocks.
- Maximum strength and rigidity by interlocking rebates in top and bottom of unit.
- Swift, economical and uniform construction with easy-to-handle units, using minimal labour skills.
- Manufactured to BS 5911 :part 2: 1982 and BS 5834.
- All sizes from 230 x 230mm upward manufactured with mild steel reinforcing.
- Fabricated steel covers and frames are available to suit all sizes of chambers.
- Adaptable to all sizes of mains, equipment and chamber depths. Extensive range of sizes from 150 x 150mm upwards.

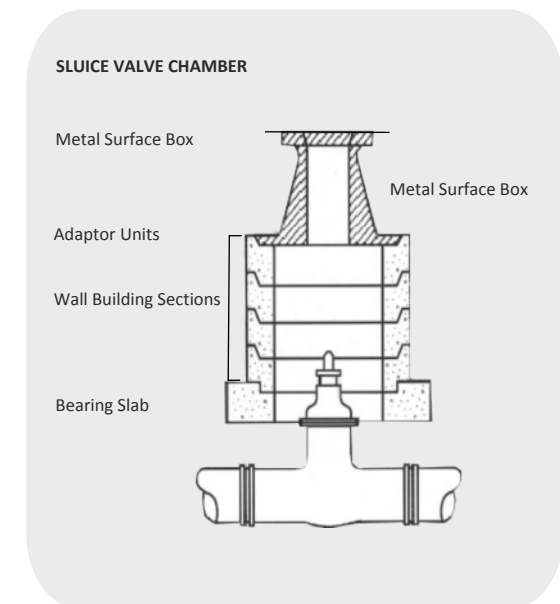
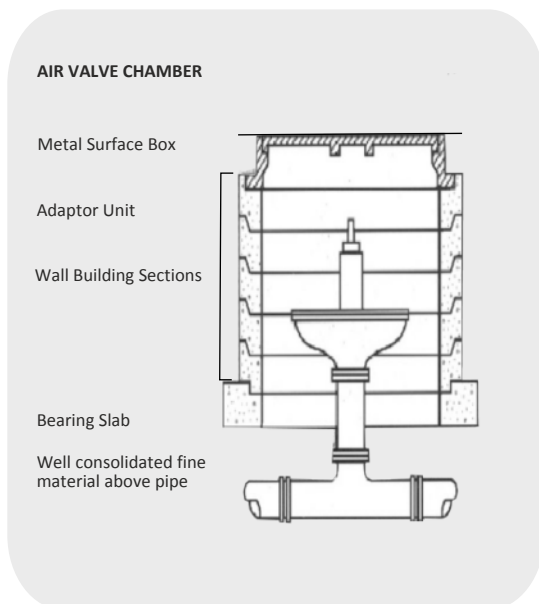
Hydrant Chambers



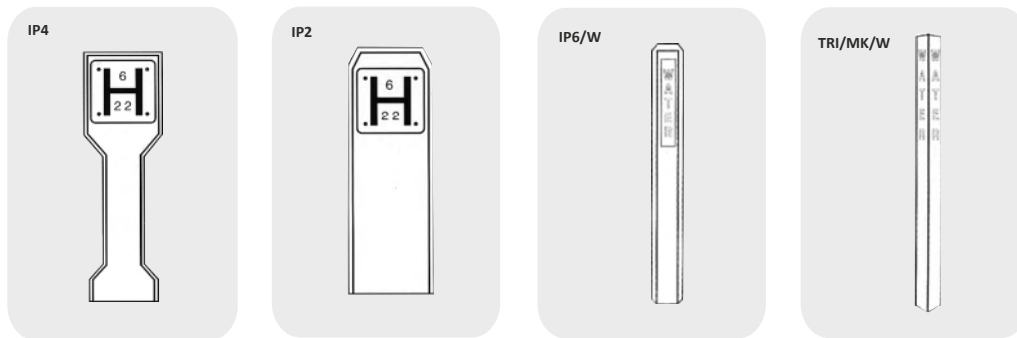
Meter Chambers



Valve Chambers



Reinforced Precast Concrete Posts



Indicator Posts are mainly used by utility companies, local and fire authorities with recessed heads for the fitting of 203 x 178mm (8" x 7") metal or plastic indicator plates - H, SV, AV, WO, PRV and specials. Please note that these metal and plastic plates are not supplied by RPC Ltd, they can be widely sourced from a number of sign manufactures and sign retailers.

Marker posts are widely used to show the route of pipelines etc. across fields, roads and open country. Lettering is mainly WATER and SEWER but other lettering can go on the IP6 pattern (CABLE, DUCT, GAS, ELECT, P.SEWER, etc).

IP2 Range - 75mm thick, 267mm wide with chamfered front leading edge and chamfered top corners. Available in three heights: 1015mm, 1220mm and 1370mm.

IP4 Range - 75mm thick, 135mm wide with chamfered front leading edge and have splayed foot (to securely lock post into the ground) with head 255 x 267mm recessed for plate. Available in two heights: 1065mm and 1370mm.

IP6 (sometimes known as Hedge Markers) - 1065mm high x 75mm thick x 115mm wide with chamfered leading edge and top corners. Weighs 19.2 kgs.

TRI/MK (sometimes known as Field Markers) - 1065mm high with 3 x 100mm wide sides, badged on 2 sides. This pattern can only be for WATER or SEWER.

Duct Location Marker Posts - Conform to M.O.T. Specification and are specified on major road schemes to show where ducts are located crossing carriageways or deviating from assigned routes along the road.

DLMP - 1525mm high x 100mm x 100mm with angled head, having DUCT in 50mm high letters running down the side of the post.

	Product Description (mm)	Product Weight (ap.) (kg)	Quantity (per pack)	Pack Weight (ap.) (kg)	Product Ordering Code
INDICATOR POSTS	Indicator Post - 1015mm long - IP2	45.10	40	1804	POIP2
	Indicator Post - 1220mm long - IP2A	51.50	20	1030	POIP2A
	Indicator Post - 1370mm long - IP2B	58.50	20	1170	POIP2B
	Indicator Post - 1065mm long - IP4	36.00	40	1440	POIP4
	Indicator Post - 1370mm long - IP4A	53.00	20	1060	POIP4A
MARKER POSTS	Marker Post - WATER - IP6/W	19.20	50	960	POIP6/W
	Marker Post - SEWER - IP6/S	19.20	50	960	POIP6/S
	Marker Post - Triangular -WATER - TRI/W	27.30	50	1365	POTRI/W
	Marker Post - Triangular -SEWER - TRI/S	27.30	50	1365	POTRI/S
	Duct Location Marker Post 1525mm - Duct LMP	58.50	10	585	PRODUCTLMP

Disclaimer: We constantly develop our range to our customer requirements, so if you can't find the right size of your desired product, please contact RPC's Sales Office for further assistance and enquiries on: 01824 702 493

Please note: if any of the products on this brochure are required on wooden pallets, pallet weight adds approx. 25 kgs to any of the pack weights.

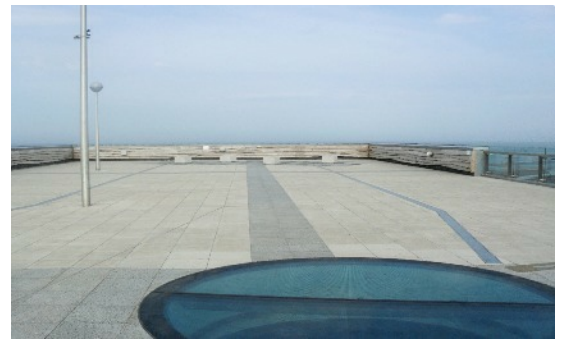
Ruthin Precast Concrete Ltd

RPC Ltd is a leading manufacturer and installer of concrete products for the construction, civil engineering and environmental industries. The company offers an extensive portfolio of products and services that range from bespoke engineering solutions (including concrete revetment and soil erosion systems) to retaining walls, specialist environmental services (including coastal and river bank protection) and unique paving ranges.

RPC Ltd have evolved and expanded significantly in recent years with products and services that are now delivered through the following three divisions.

RPC Paving

Offer an extensive choice of paving, flagging and kerbing for use in driveways, gardens and landscaped areas for both commercial and domestic schemes.



RPC Concrete Solutions

Provides a service to the National Water Market, manufacturing underground chambers for valve, hydrant and meter installations. These ranges have developed to meet the growing needs of the gas, highways and electricity industries.



RPC Environmental

Provides bespoke erosion control systems, retaining walls and noise barriers to local authorities, leading contractors and civil engineering companies. This division also offers a range of innovative cellular concrete paving systems for use on hardened access ways.



Paving

01824 702 493

01824 704 527

www.rpcltd.co.uk

enquiries@rpcpaving.co.uk

Concrete Solutions

01824 702 493

01824 704 527

www.rpcltd.co.uk

solutions@rpcpaving.co.uk

Contracts

01824 709 102

01824 709 105

www.rpcltd.co.uk

contracts@rpcpltd.co.uk





www.rpcltd.co.uk

RPC (Ruthin Precast Concrete) Ltd.
Quarryfields
Ruthin, Denbighshire
LL15 2UG
Wales, UK

Enquiries/Orders: 01824 702 493
E-mail: solutions@rpcltd.co.uk