

Costing for: <b>Typical Flue Detail Costing</b>	Costing ref	<b>200id-8m-offset-23B</b>
House type House With 200mm I.D. Flue	Date	06 February 2024
Customer ref. Chimney Height 7993mm from FFL to U/S of chimney pot	By	SJ
Site	Price list	October 2023
Plot number		

Components	Product code	Qty	Prices each	Cost £
Throat lintel/gather unit 800mm wide	200TL800	1	94.75	94.75
200mm flue liner bend 22.5 degrees	200B	2	18.29	36.58
200mm flue liner 600mm tall	200L600	10	18.74	187.40
200mm flue liner 230mm tall	200L230	3	11.21	33.63
200mm flue liner 150mm tall	200L150	1	8.85	8.85
Flue liner sealant 310ml	Dunseal	6	6.68	40.08
Infill aggregate 22kg mix for void	Dunfil	20	6.98	139.60
Cannon pot 450mm tall red	Cann450R	1	50.90	50.90
Topguard birdguard cowl 260 tall red	TG260R	1	101.36	101.36
Smoke pellet tube	Smoke	1	11.34	11.34
Flue notice plate	Plate	1	7.73	7.73
310ml Skeleton Gun	Sealgun	1	6.40	6.40
Red polypropylene air brick 220mm x 72mm	REDG930	3	0.92	2.76
High impact styrene black cavity sleeve 218mm x 72mm	CSG935	3	5.03	15.09

Cost ex-works *	<b>736.47</b>
Delivery charge	<b>60.00</b>
Goods	<b>£ 796.47</b>
VAT @ 20%	<b>159.29</b>
<b>Total</b>	<b>£ 955.76</b>

All prices are ex-works, valid for 30 days and are subject to VAT.

Charge for individually plotting multiple flue orders is £30 per plot.

Free delivery for orders over £1,000 nett invoice value (ex-Vat) to UK mainland excluding the Highlands of Scotland (POA).

All trading is subject to our standard conditions of sale (copy available).

**Notes**

This flue costing is based on information provided. Please have your architect check the costing to your drawings prior to ordering to ensure that it meets with your requirements. Please also check the pot/terminal style and colour.

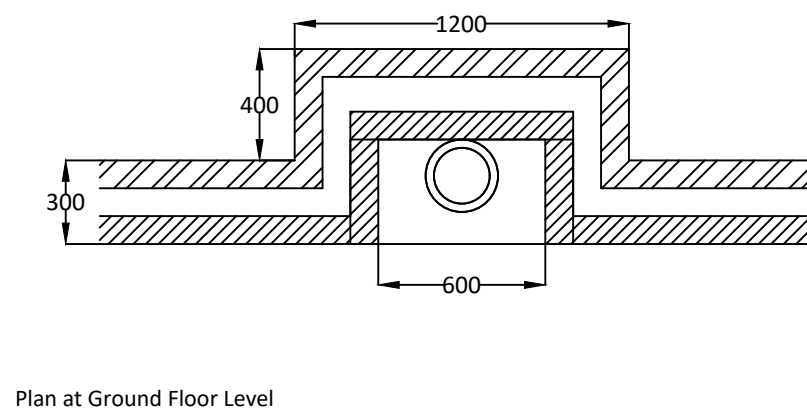
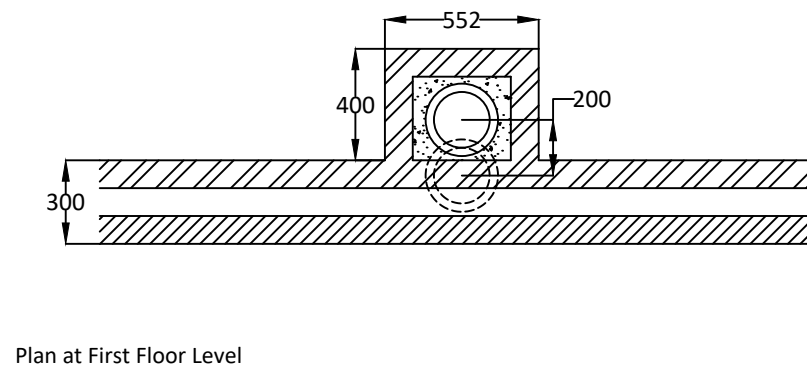
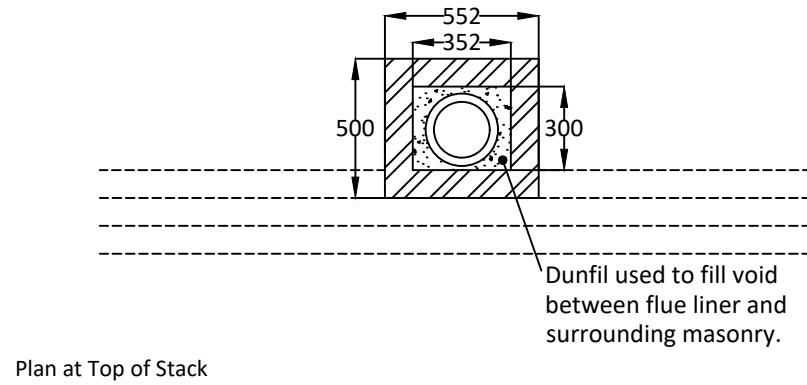
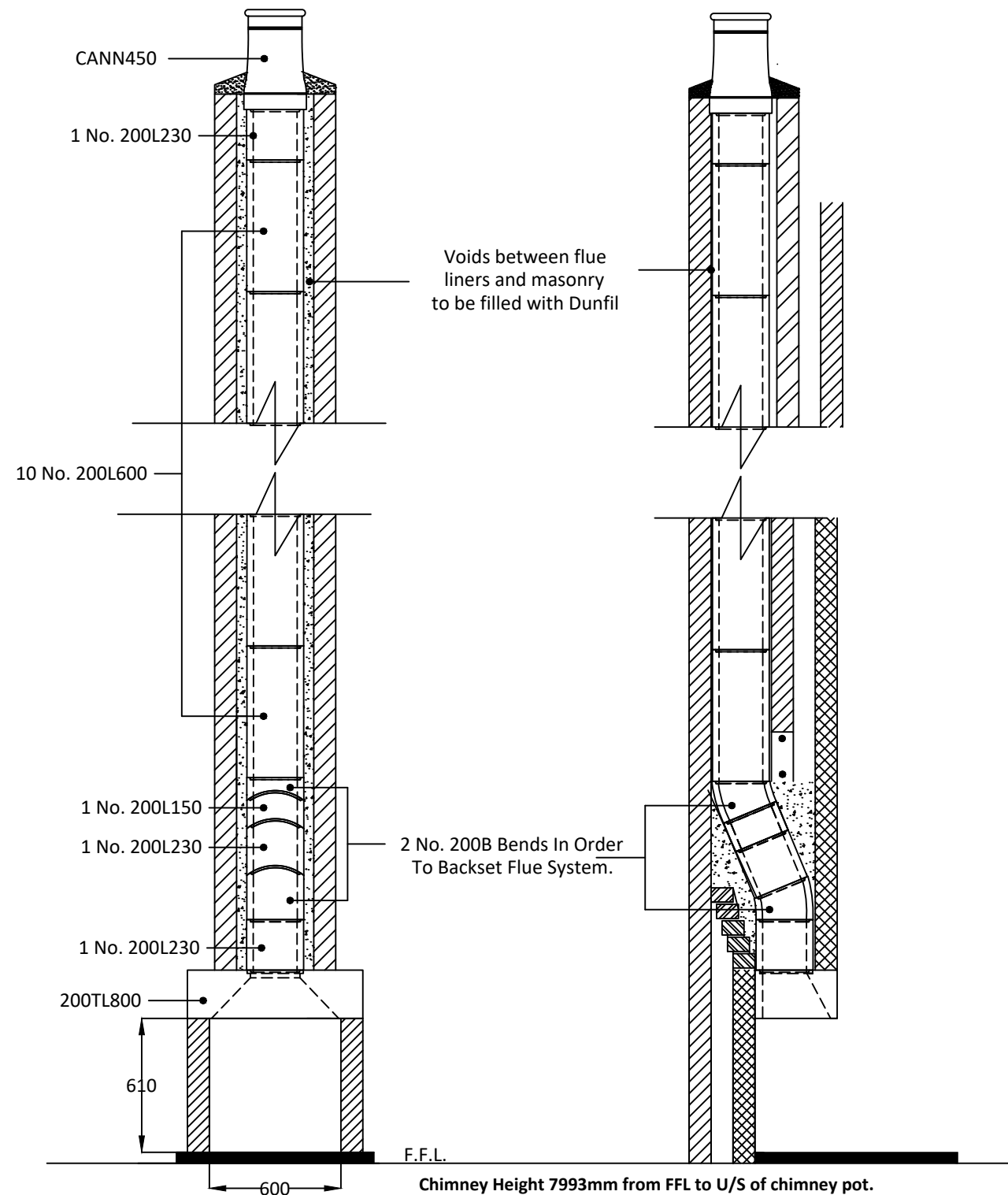
For construction guidance refer to the flue illustration and the installation guide available on our website [www.dunbrikflues.co.uk](http://www.dunbrikflues.co.uk)

**The infill is based on a 300mm x 352mm void between the liners and masonry**

Please ensure that the flue and chimney are constructed in accordance with Building regulations part J

**Notes**

Chimney Height from FFL to underside of chimney pot.



Please have your architect check this typical flue illustration to your drawings to ensure it meets both your requirements and current building regulations.

ALL DIMENSIONS ARE SHOWN IN MILLIMETRES NOT TO SCALE

The checklist is based on Building Regulations ADJ Appendix A. with Dunbrik flue liner system data. The builder/installer should insert details of the actual fireplace opening sizes, actual ventilation installed and any variations to the usual data.

For	<b>Typical Flue Detail Costing</b>	Costing ref	<b>200id-8m-offset-23B</b>
Site at		Plot number	
System	<b>Dunbrik 200mm id A1 concrete flue liners</b>	House type	<b>House With 200mm I.D. Flue</b>
Date	<b>06 Feb 2024</b>	Customer ref.	<b>Chimney Height 7993mm from FFL to U/S of chimney pot</b>
	<b>200 mm id</b>		

**Checklist for hearths, fireplaces, flues and chimneys**

This checklist can help you to ensure hearths, fireplaces, flues and chimneys are satisfactory. If you have been directly engaged, copies should also be offered to the client and to the Building Control body to show what you have done to comply with the requirements of part J. If you are a sub-contractor, a copy should be offered to the main contractor.

Items listed in ADJ Appendix A	Details for builder to complete or amend	
<b>1</b> Building address, where work has been carried out		Amend
<b>2</b> Identification of hearth, fireplace, chimney or flue.	<b>Fireplace in lounge</b>	
<b>3</b> Firing capability: solid fuel/gas/oil/all	<b>All</b>	
<b>4</b> Intended type of appliance. State type or make. If open fire give finished fireplace opening dimensions.	<b>For gas fire or solid fuel fire 500mm by 550mm maximum or equivalent area</b>	
<b>5</b> Ventilation provisions for the appliance State type and area of permanently open air vents	<b>Through wall ventilation 15,700 sq mm minimum</b>	
<b>6</b> Chimney or flue construction a) State the type or make and whether new or existing. b) Internal flue size (and equivalent flue height, where calculated natural draught gas appliances only). c) If liners are used confirm they are correctly jointed in accordance with manufacturers instructions and state jointing materials used. d) If an existing chimney has been refurbished with a new liner, type or make of liner fitted. e) Details of flue outlet terminal Outlet detail Complies with: f) Number and angle of bends. g) Provision for cleaning and recommended frequency.	<b>New masonry chimney with: Dunbrik A1 concrete flue liners to BSEN1857 200mm internal diameter</b>  <b>Tongue downwards into rebate and joined with Dunseal fireproof mortar</b>  <b>Cannon pot 450mm tall BSEN13502:2002 2 bends ref 200B at 22.5 degrees</b>  <b>Annually via fireplace opening</b>	
<b>7</b> Hearth. Form of construction. New or existing	<b>New As diagram 25 in ADJ</b>	
<b>8</b> Inspection and testing after completion Test (Appendix E in AD J 2002) and results Flue inspection results Visual Sweeping Coring ball Smoke Appliance (where included) Spillage	Tests carried out by:	

**I/We the undersigned confirm that the above details are correct. In my opinion, these works comply with the relevant requirements in Part J of Schedule 1 to the Building Regulations.**

Print name & title	_____	Profession	_____
Capacity	_____	Tel no	_____
Address	_____	Postcode	_____
Signed	_____	Date	_____
Registered membership of (e.g. Gas Safety, OFTEC, HETAS, NACE, NACS)			