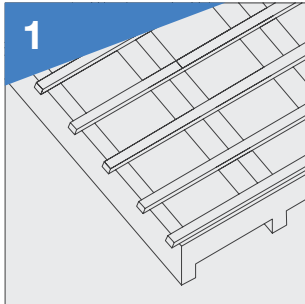
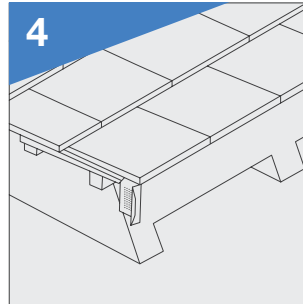


Ulti-Mate® Ulti-Verge Ambi Dry Verge Fixing Instructions



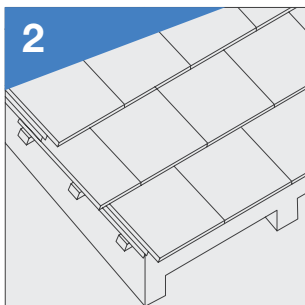
1

Install the tiling battens with a **40mm** overhang over the brick or barge board. For refurbishment projects install a new tiling batten to the underside of the existing tiling batten.



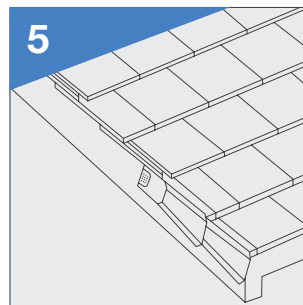
4

Slide the first verge unit over the tile at the eaves and into the starter kit fitting it under the head laps to ensure the unit is firmly held in place. Fix the unit through the top grid into the batten with a 40 x 3.35mm screw.



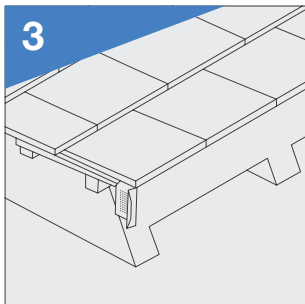
2

Set tiles flush with the battens. For refurbishment projects remove existing mortar bedding and install new tiling batten to the underside of the existing tiling batten.



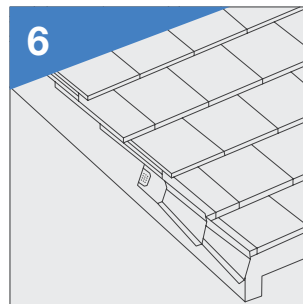
5

Slide the next verge unit into the upper edge of the first unit. Press firmly to the tile fitting it under the head laps to ensure the unit is firmly held in place. Screw the unit through the top grid into the batten.



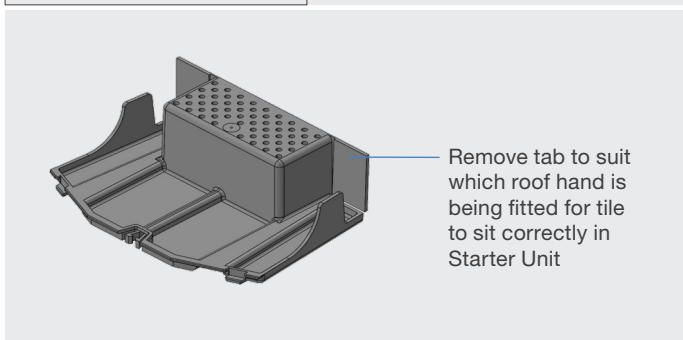
3

Starting at the bottom edge of the roof, insert the starter piece (remove tab to suit as shown below) into the front end of the verge unit and mark out the starter position on the fascia and barge board. Remove the unit and mechanically fix the starter piece into position through the grid with a 40 x 3.35mm screw.

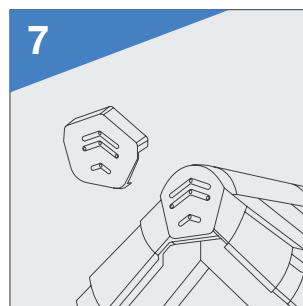


6

Continue the process along the barge board to the ridge. Now insert the ridge cap once the final verge is completed so that the last nail plate is covered.



Remove tab to suit which roof hand is being fitted for tile to sit correctly in Starter Unit



7

The half-round ridge end cap (code ULTI2ECR) or universal angle ridge end cap (code ULTI2ECA) should be fitted interlocking with the verge units and then screw fixed into the barge board or masonry, unless a Tile Manufacturers Block End Ridge is being utilised.

Ensure when installing the tiling battens a **40mm** overhang on brick or barge board to ensure correct fixing.



All products are covered by our 15 year Durability Warranty terms and conditions can be found on our website.



All plastic products are made in UK.