

ATLAS TRADE 50CM BASIN 1TH



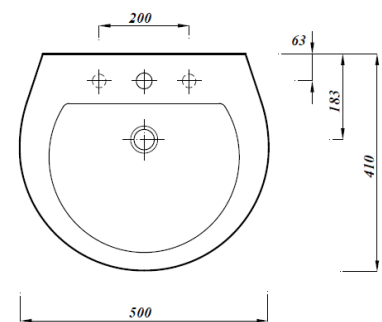
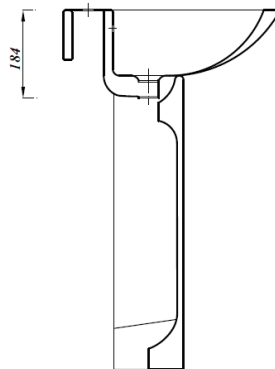
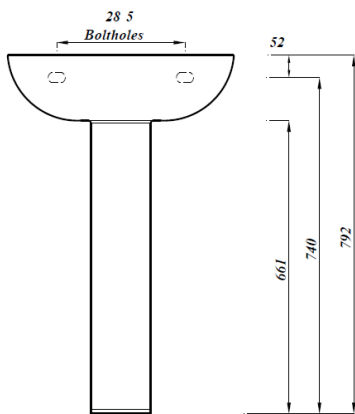
Product Code	SKWH50BA1
Weight (Kg)	9.5
Material	Vitreous China
Tap holes	1
Fixings	Bracket - BRACK / Fixing bolts - FBWB
Extras	Bottle trap - BOTRAPCH / Waste - TPOPNEW / TPOPUNS
Suitable Pedestals	Full ped - SKWHPE Half ped - NLGWSPE

Key features:

- UKCA Compliant
- Internal overflow
- Clean design

Description:

Simple styling never goes out of fashion.



All dimensions are approximate and subject to normal ceramic variation. Although every effort is made not to change the above product specification, Lecico reserve the right to do so without prior notification if necessary. *Against manufacturers defects. Full information on guarantees available upon request.