

Lecico
b a t h r o o m s

Atlas 
Professional
sanitaryware

Contents

Introduction

Who are Lecico	2-5
What we offer	6-7
Sectors we cover	8-51
Sector information	52-59

WC's

Close coupled	62-99
Back to wall	100-119
Wall hung	120-129
Low/high level	130-149
Squatting	150-153

Basins

Standard basins	156-179
Semi recessed basins	180-193
Vanity/under counter	194-199
Free standing	200-209
Commercial basins	210-221
Speciality	222-235

Furniture

Vanity units	238-241
Fitted look units	242-243
Wall mounted units	244-249

DocM

Economy packs	254-257
Standard packs	258-263
Deluxe packs	264-267
Peninsular packs	268-271
Ambulant packs	272-275
Shower packs	276-279
Grab rails	280-287

Urinals

Round bowls	290-295
Square bowls	296-299
Header tanks	300-303
Boxed sets	304-305
Waterless	306-309
Slab	310-311

Baths

Acrylic	314-319
Steel	320-321
Shower	322-323

Brassware

Domestic	326-339
Commercial	340-351

Seats

Standard seats	354-377
Ring seats	378-385

Ancillaries

Designer hand rails	388-391
Shower seats	392-395
Fixing frames	396-399
Concealed cisterns	400-417
Accessories	418-419

Useful information

Customer information	420-421
Product reference	422-423
Contact details	424-245

Manufactured to last a lifetime

With Atlas Professional, commercial sanitaryware takes a major step forward. Specifying is made easier with a wide range of versatile products available which all adhere to British and European standards.

Lecico sanitaryware is tough, durable, designed to modern styles and now has the added benefit of innovative water saving capabilities.

Whatever the application, we offer the complete solution every time. Our commercial range collection is designed to fit with your plan.

Every Lecico ceramic product is covered by a lifetime guarantee*

All soft close seats include a five year guarantee*.

All furniture comes with a five year guarantee*.

In addition all brassware is supported by a minimum five year no quibble guarantee*.

*Against manufacturing defects.

Lecico is one of the world's largest designers and manufacturers of bathroom suites and fittings. Exporting to over 50 countries worldwide, our outstanding reputation is founded on design-rich products that have been crafted to the highest manufacturing standards.

All Lecico products are subjected to a wide range of quality checks and controls throughout design and production. The standards we manufacture to include the UK BS 3402 Specification for Quality of Vitreous china sanitary appliances.



Proud of our products

Lecico prides itself on the highest standards and quality controls, conforming to standards set throughout Europe and the rest of the world. Every Lecico product infuses the following design criteria:

- Style/Design
- Quality
- Space and versatility
- Water Saving
- Ease of Installation

Lecico Bathrooms ongoing quest for superior quality continues and drives us forward. We are proud to offer a lifetime guarantee on all ceramic ware, the rigorous testing carried out along the production process and before the product leaves our factory means you can rely on Lecico products every time.

All Lecico products are produced to the following British standards:

- BS3402 Quality of vitreous china
- BS5503 Specification for WC pans
- BS7358 Specification for C/C pans
- BS5506 Specification for washbasins and pedestals
- EN997 Specification for WC pan flushing
- EN33:2003 WC pan and flushing cistern connecting dimensions
- EN 14055-2010 Flushing urinal cisterns

All inlet valves and flushing mechanisms currently supplied by ourselves have achieved without exception WRAS approval for use in the UK.



This image shows just a small part of one of our state of the art production sites.



Up to specification

Our specification team is ideally set up to make using Lecico on your next project easy. With a dedicated team of specification managers covering the entire UK, supported by head office based project co-ordinators our team can produce professional product proposal documents, organise samples, can create specifications exploring every option to best fit any budget.

The Lecico specification team provide many years of experience within the bathroom industry and are able to advise on product selection and assist in understanding legislation and following best practice. They are a resource that can aid in the efficient and cost effective completion of a project.

We strive to build relationships with our customers and their customers delivering not only excellent products but an exceptional service from specification, to site, to completion.

Contact our specification team today: 01234 244 037
estimating@lecico.co.uk



Covering all sectors

No matter where you are looking to fit a bathroom, The Atlas professional range has products developed to best suit a wide range of commercial and domestic applications. From HBN00-10 Part C compliance for healthcare environments to LANTAC approved DocM and water saving designer products for the modern home.



Most of our products can be used in multiple settings, Some products are designed for very specialised markets such as hospitals with other products having a wider appeal. On the following pages we have tried to breakdown the needs of specific areas but should you require more advice, our specification team are always on hand to lend their experience.

DocM - adapted Living

As the population ages, there is an increased need for homes and commercial premises to ensure their facilities can safely accommodate the needs of all of the occupants or users. Additionally, recent legislation has come into force which reinforces accessibility rights for the disabled which means toilet areas need to be easy and comfortable to use.

Lecico has a full range of adapted living products from comfort height toilets through to full DocM packs enabling comfortable and flexible living options for all of society and ease of installation and maintenance for installers.

As a commercial sanitaryware manufacturer, Lecico products are designed to meet the needs of the installation and intended user groups. Our products are constructed to optimise comfort and are stylish and robust for domestic or commercial installation. Our products are designed to reduce water usage and maintenance intervals whilst being easy to clean.



DocM - adapted living

Within the Lecico range we have raised height WC's featuring an additional 50-100mm in height to help sitting and rising. The latest designs of round and square products featuring smooth and modern designs are available with a wide choice of soft close, easy lift off and easy clean seats. Options exist for robust commercial anti-lateral seats or ultra stylish and strong thin sandwich seats.

Basins can be mounted to suit residents, be that at a lower or higher than standard height and the new range of designer hand-rails gives security without losing the chic look of a new bathroom.



For the more commercially minded our extensive range of DocM packs feature every possible WC option all fully LANTAC approved with multiple colour options for rails and other accessories. There are also options for shower packs giving seating and help with mobility without losing the desire for a stylish bathroom appearance.



Hotels & Bed and Breakfasts

The lasting impression of a hotel or guest house is normally the bathroom facilities. In the rooms and public areas guests require clean, functional and pleasant washroom facilities. The design of the washroom facilities should reflect the personality of the hotel and enhance the customer experience.

Our specification team have years of experience and are always on hand to provide valuable information. They can assist in the planning and completion of a project and also help in reducing costs and ensuring compliance to the latest regulation.

A recent example of this has been provided by a customer:



“We first came across Lecico some 20 years ago when sourcing replacement basins for a number of the en-suites. When we began our current refurbishment programme, we were keen to modernise the look of our rooms and happened to come across a bathroom suite in a

local building supplier showroom displaying Lecico white-goods. We were very keen to go with Lecico based on the fact that they are a British company with products we liked the look of and at keen pricing. We are so pleased with our Lecico experience that we have planned to use them at our sister hotel’s next refurbishment.”

Daniel Sangiuseppe
Director
Burlington Hotel



Hotels & Bed and Breakfast

The needs of hoteliers, facilities managers and customers are as varied as the dishes on a menu, ranging from top end luxury to practical budget solutions. The Lecico range includes stylish wall hung WC's with designer push plates and soft close seats, semi-recessed basins and attractive furniture in many sumptuous wood finishes and colours. Other parts of the range include value for money, no nonsense bathroom products with hardwearing designs, easy clean simplicity and the confidence of water saving technologies.



With the growth of comfort height WC's and inclusive living bringing new ranges of designer hand rails more and more hotels are installing products that span the needs of all users from the fully able bodied to those with specific needs.



Schools, academies, colleges & universities

Education establishments require communal washrooms and on-site sports facilities to be fitted with highly durable and performance efficient sanitaryware due to high usage levels. Schools specifically need age range appropriate products which are correctly sized for their pupil profile.

Educational establishment sanitaryware needs to be durable, low maintenance and easy to clean. As a commercial sanitaryware manufacturer, Lecico products are designed to meet the needs of the installation and intended user groups. Our products are constructed to avoid dirt traps and therefore are more hygienic, they are designed to reduce water usage and maintenance intervals whilst being easy to clean.



Schools, academies, colleges & universities

Our range of school specific urinals and WC's includes junior sized products as well as the standard adult sized products for schools, colleges and university campuses. The choice of product range will depend on the overall design and scale of the development but there are plenty of options for wall hung products to make floor cleaning easier, plus water saving products with automated flushing or reduced flush volumes.



As well as sanitaryware there are also taps with infra red activation and taps designed specifically to encourage the youngest of users to remember to wash their hands! Some of our seats now include anti-bacterial formulae to attack surface mounted germs and reduce the chance of cross contamination between users.



Student accommodation

Student accommodation varies dramatically from campus to campus. Mostly the housing stock is a mix of older buildings periodically requiring refurbishment or new build accommodating the expanding student population. Sanitaryware in student accommodation needs to be durable, easy to clean and maintain.

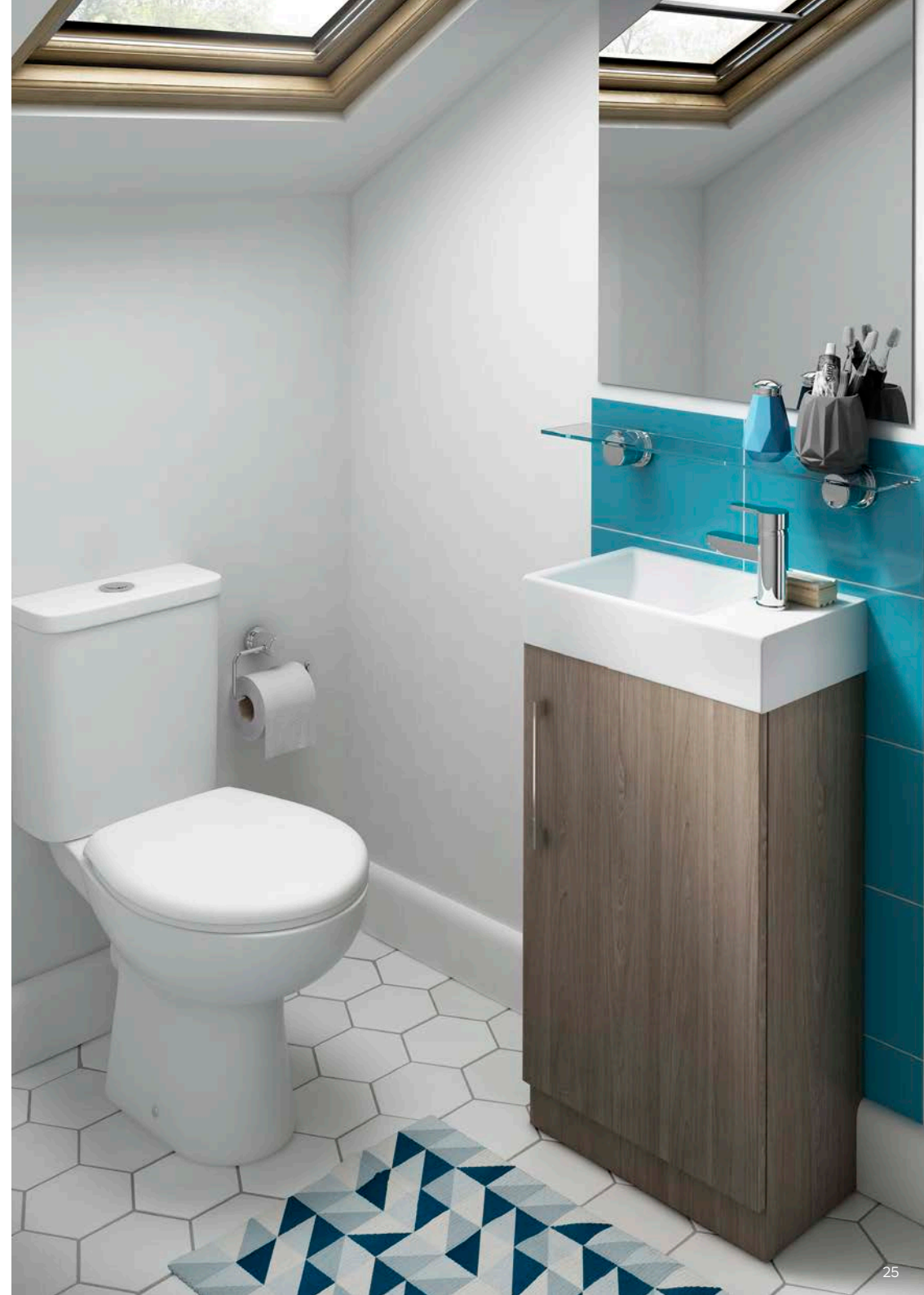
Modern students prefer en-suite facilities meaning designs need to be compact and stylish. In communal washrooms and campus sports facilities durability and performance efficiency is critical due to high usage levels.



Student accommodation

With countless options on style, design and specification for student accommodation, the only essential for this market, is the need for hardwearing robust products designed to take high traffic usage with an eye for easy cleaning and reduced water consumption.

From designer bathrooms including the latest in comfort height and assisted living to basic and practical cost effective solutions designed to provide the best use of restricted budgets – there are plenty of great options to choice from in our range of products.



Hospitals and healthcare

The right sanitaryware is critical for hospitals and healthcare establishments to ensure efficient removal of waste and avoid the risk of cross contamination and serious infection. Additionally, the needs of all potential users need to be accommodated, people who are pre and post operation, all ages and physical ability.

Lecico has a full range of hospital and healthcare products ranging from comfort height toilets through to full DocM packs enabling comfortable and flexible living options for all users and ease of installation and maintenance for installers. For public areas, we have highly durable and performance efficient sanitaryware for installations with high usage levels.



Hospitals and healthcare

The rigorous requirements of hospital installations require some very specific products in certain locations and the Lecico range is designed to take these into account. Within the surgical arena, basins need to meet the stipulations of HBN 00-10 part C – our medical basin does exactly that. For more general bathroom areas there are a wide range of appropriate products to choose from with DocM WC's, shower rooms, and ambulant WC's.



Many of the WC's and basins feature smooth lines, with easy clean designs removing areas that could allow the growth of bacteria. Rimless WC's provide improved bacterial control and some of our seats now include an anti-bacterial formula for infection control.



Care homes & assisted living

Care Homes provide an invaluable refuge for the aging and infirm. There is a critical need for these facilities to safely accommodate the needs of all of the occupants or users. Care Homes have to ensure efficient removal of waste and avoid the risk of cross contamination and serious infection. Additionally, the needs of all potential users need to be accommodated, people who are of all ages and physical ability.

Additionally, recent legislation has come into force which reinforces accessibility rights for the disabled which means toilet areas need to be easy and comfortable to use. Lecico has a full range of products from comfort height toilets through to full DocM packs enabling comfortable and flexible living options and ease of installation and maintenance for installers.



Care homes & assisted living

A growing ageing population has increased dramatically the need for care homes ranging from independent living with wardens available when required to full time carers and extensive facilities for complex bathroom needs.

Once again Lecico has multiple ranges of product to cover all requirements from the simple clean lines and practicality of comfort height WC's, raised or specifically designed flush actuation for those with limited abilities to fully compliant DocM toilets and showerpacks.



New from Lecico is a range of designer hand-rails where style has not been sacrificed in the need for effective function, providing greater levels of independence in the later stages of our lives.



House builders

House builders are driven by ever narrowing build windows and the need for durable and stylish sanitaryware which will enhance the property and delight their buyers.

With an ever growing population the need for more housing stock has never been more apparent. Encouraged by national governments and by market demand, house builders are expected to provide over 1,000,000 homes over the next seven years.

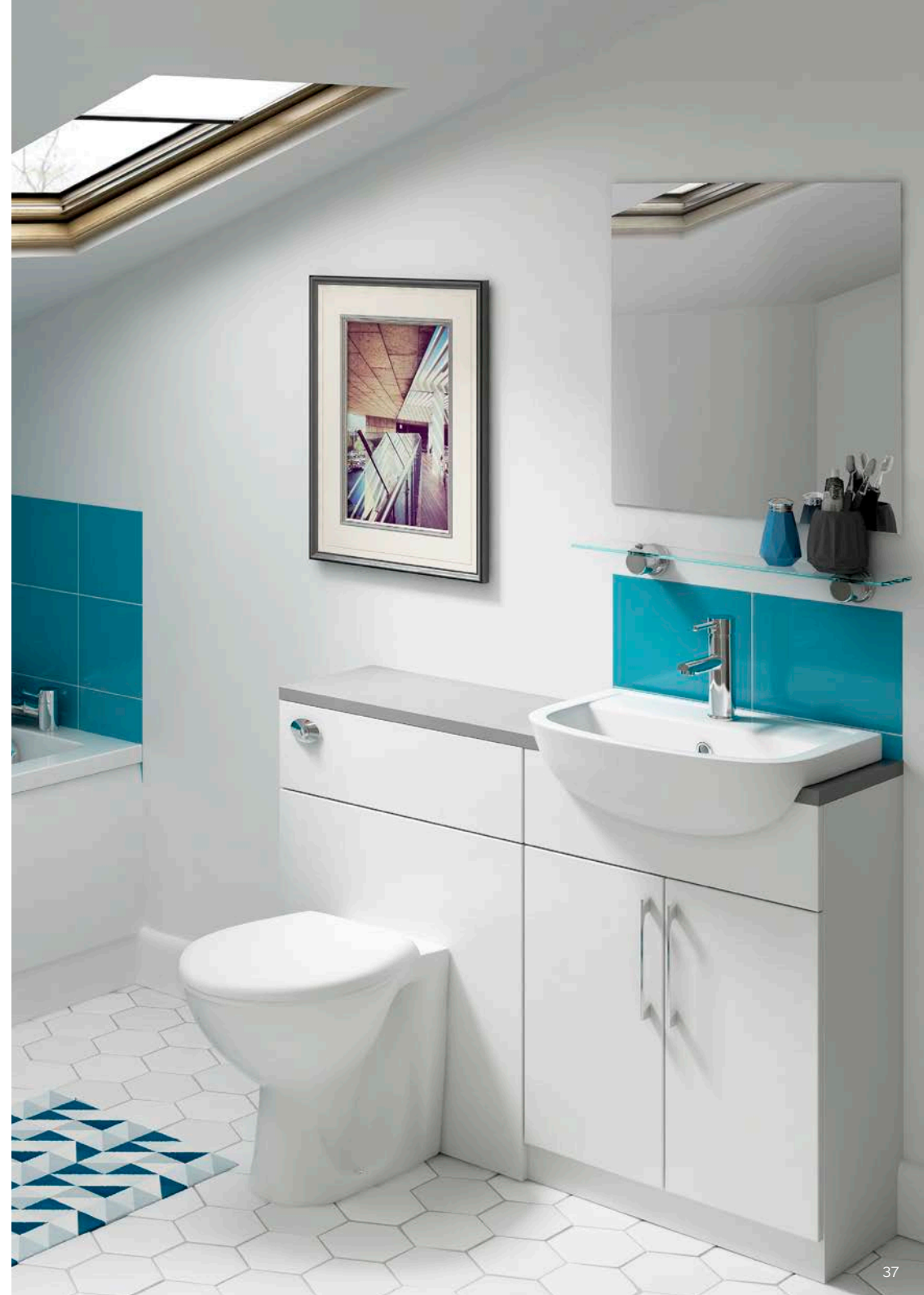
With more and more first time buyers on restricted budgets, looking for innovative ways to purchase their first home, there is growing pressure to optimise the number of properties built on the land bank available to keep property prices more affordable. This has reduced the size of the modern bathroom which in turn has increased the need for more efficient use of space.



House builders

From one bedroomed apartments to multi-bedroom executive family homes, key to all house builders is the need for optimising the budget, providing quality and attractive products at a price that allows a margin without compromising what the customer will receive.

With a growing range of space saving wall hung products and short projection WC's, wall mounted furniture and designer sanitaryware there are plenty of options to choice from to match the budget requirements.



Social housing

House builders, local authorities and housing associations continually face the challenge of creating desirable, affordable, comfortable dwellings whilst being cost efficient and legislatively compliant. For social housing, specifically, the need is for highly durable but stylish products which require little maintenance.

Driven by an ever increasing population and changing attitudes to social housing provision, local authorities need to maximise limited budgets and resources whilst meeting the needs of their communities.

Social housing

In a time of ever tightening budget control and greater visibility of local authority expenditure, providing cost effective product solutions is a challenge within all aspects of social housing development. In addition the growth of legislation and more and more complex requirements on architects means that Lecico's range of sanitaryware can help you overcome the hurdles that this can place on projects.



As well as ranges of new products in the latest styles, Lecico also has a range of products to allow for repairs and replacement of existing and older products so reducing the cost of total refurbishment.



Leisure centres, sports installations & stadiums

Sports facilities, whether for participation or spectating, are high usage areas requiring sanitaryware which is durable, easy to clean and maintain and be functionally efficient. The public expect clean and hygienic washrooms from a reliable supplier of quality products.

With a focus on healthy living and improving general population fitness levels, successive governments are encouraging us all to live a more active lifestyle. This in turn drives more traffic through local sports facilities which need to develop their bathroom and showering facilities to fulfil this demand.



Leisure centres, sports installations & stadiums

There are very few companies that can deal with the scale and complexity of the requirements of major project developments in the sport and leisure markets. Lecico has a range of products designed for high traffic areas where robust and functional design are the key drivers for the development of our products.



With easy clean designs and water saving technologies there is a range of WC's, urinals and washbasins ideally suited to major project designs plus we have a highly knowledgeable team of specification managers that can assist in the technical aspects of our product range as well as in their best and most cost-effective application.



Commercial construction

People are working longer hours and by definition spending a greater amount of time in their offices and workplaces. Whether it is a large corporate headquarters or a small regional unit the design of the washrooms reflects the status of the organisation. Staff and visitors expect clean and comfortable facilities which complement the business or brand.

The appearance of a company's washroom facilities can act as an extension of that company's brand. Providing positive or negative experiences depending on the attention given to this vital part of the building. This can impact on perceptions of visitors or of employees, and even has a legal implication if the building is open to the public.



Commercial construction

From small to medium enterprises and on to major corporate headquarters, the need for high specification washrooms remains a vital aspect of the design of new premises or the refurbishment of existing ones.

Including all necessary bathroom products from the complex requirements of DocM installations to the legislative impositions of BREEAM, the combination of our extensive range mixed with the in depth knowledge of our specification and technical team will ensure that your every needs can be catered for - no matter how large or small the project is.



Motorway Services

Services are high usage areas providing essential facilities for the public. Sanitaryware in these facilities needs to be durable, easy to clean and maintain and be functionally efficient. The public expect clean and hygienic washrooms from a reliable supplier of quality products.

There are several legislative requirements to consider in the washroom. From water saving to DocM, Lecico sanitaryware has been designed with those needs in mind. Our specification team are experts in this field and are here to help guide you through your next project should you require it.



Motorway services

The unique nature of motorway services requires product that can deal with the very highest levels of continued use mixed with a need for absolute value for money and of course the easiest to clean on a very regular basis.

Lecico has a range of different urinal and WC designs from back to wall or wall mounted with concealed cisterns and multiple flushing options with water saving technology.



There is a large range of washbasins in multiple styles from high end designer wash bowls, inset and under counter basins as well as traditional styled product for high volume areas. In addition to ceramic sanitaryware, Lecico provides accompanying brassware with PIR activation, non-concussive taps and TMV3 compliant models to suit multiple applications.



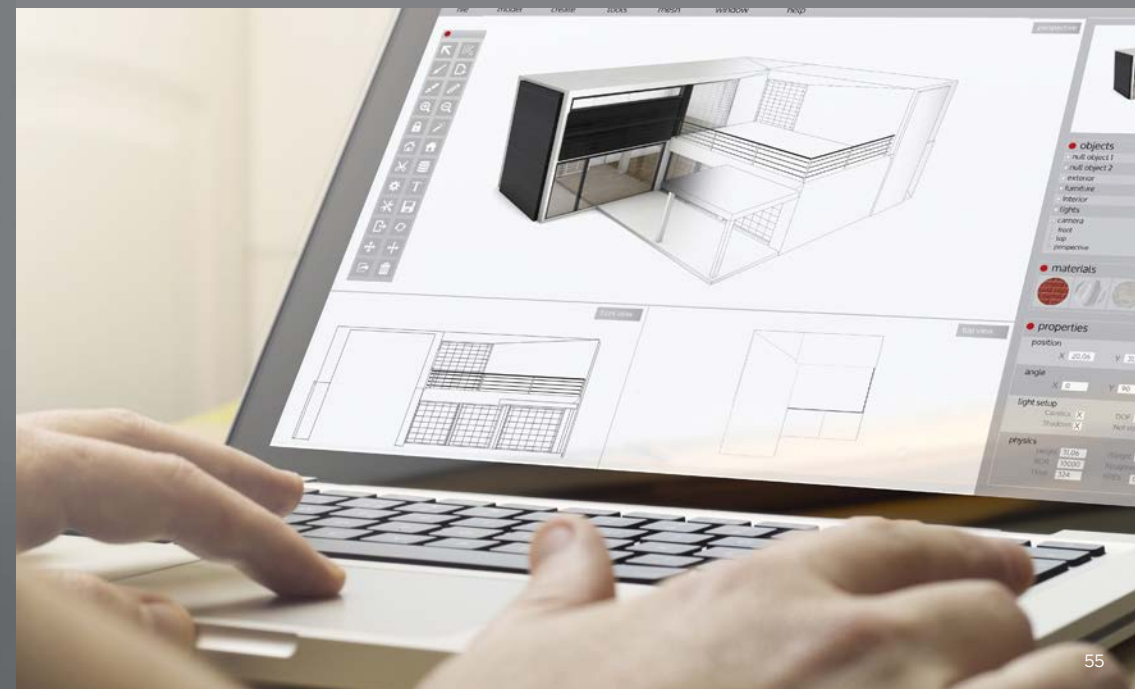
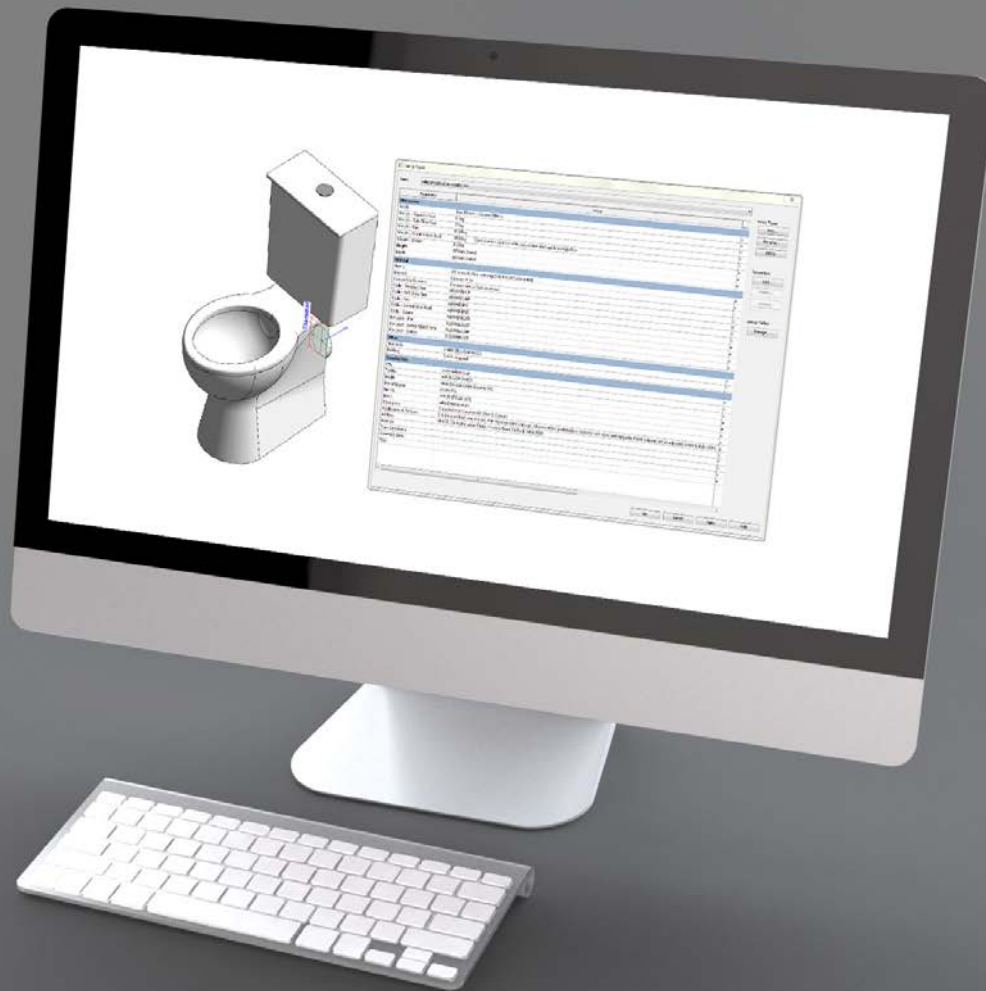
What is BIM?

Building information modelling (BIM) is a process involving the generation and management of 3D digital representations of products and materials linked to a data source of key product information. BIM can be used by architects and engineers during the development and planning stage of a project, the installer and contractor during the building phase and then finally by facilities managers upon completion to ensure easy and accurate access to maintenance information.

BIM can bridge the information loss associated with handing a project from the design team, to construction team and to building owner/operator, by allowing each group to reference to or add back to all information they acquire during the construction period.

Recent figures suggest that up to 30% of all construction materials used in a project are wasted; BIM aims to ensure smart usage and accurate product selection by having access to key information at the design stage. By using BIM, architects can ensure optimum use of materials and select products considering aspects such as water saving or dimensional space requirements.

We currently have our most commonly specified products available as BIM objects and are continually adding to this list as we introduce new products. On each product page you will find a reference to a product being BIM ready.





What is HBN00-10 Part C?

“HBN00-10 Part C outlines the policy and performance requirements for sanitary assemblies used in healthcare facilities. These requirements are a set of essential standards of quality and safety that sanitary assemblies must comply with. It supersedes Health Technical Memorandum 64 (HTM64).”

Within the Healthcare sector there are a number of challenges in relation to sanitaryware and the need within the NHS estate to evidence compliance with the legal requirements and standards of HBN00-10 Part C.

“A complex range of issues distinguishes healthcare environments from most other building types. One of the most important of these relates to the control of infection. Hospital environments in particular are subject to spillage of a range of potentially dangerous substances in areas of general use such as circulation areas and in wards. The choice of finishes is important in determining cleaning regimes.”*

The Lecico healthcare range has been specifically developed for the sector, fully complying to requirements and regulations across all areas of the market and providing evidence of compliance to HBN00-10 Part C.

*Department of Health



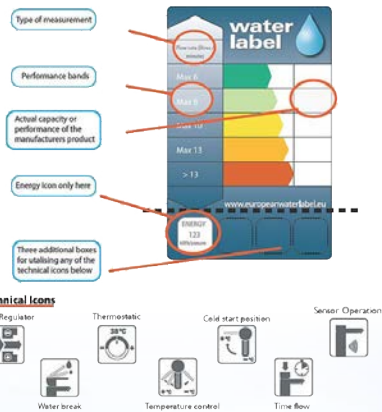
Don't flush your money away

22% of the water we use in our homes is flushed down the loo. Investing in a dual flush toilet saves water and works just as well.

You can use the European Water Label as a guide to find a toilet that will save you money. Lecico as a manufacturer of bathroom ceramics are aiding governments in their quest to reduce water consumption by producing new, exciting, innovative and technologically advanced bathroom products.

The scheme provides easy access to a database of bathroom products, which when installed and used correctly will use less water, save energy and save money.

Visit their website to find out more:
www.europeanwaterlabel.eu



Why save water?

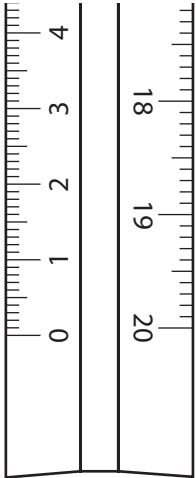
At Lecico we are aware that water is a unique and limited resource. We are committed to reducing the amount of water used in the operation of our WC's; most come with a dual flush mechanism as standard. In addition we are now able to offer an increasing number of products within our ranges which only require 4/2.6 Litres of water for flushing. This represents a significant saving on utility bills.

Current developments include the addition of delayed fill inlet valves for our range of WC's and a range of waterless urinals which offer a zero water solution. On average this can save 230,000 litres per urinal each year.

We've also pledged our commitment to the European Water Label scheme, which was initially developed by the Bathroom Manufacturers Association and is now operated by the Water Label Company. This voluntary scheme provides comparative information on the volumes of water used between similar products to help inform consumers to choose more water-efficient products. All of our WC's are independently tested and score in the top two levels.



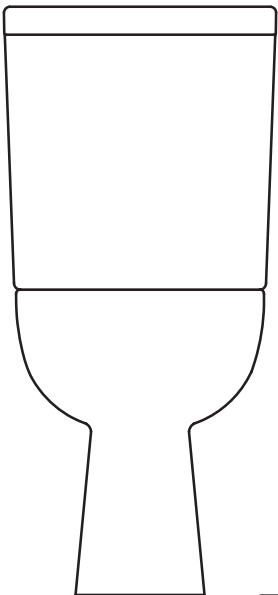
Raised for more comfort



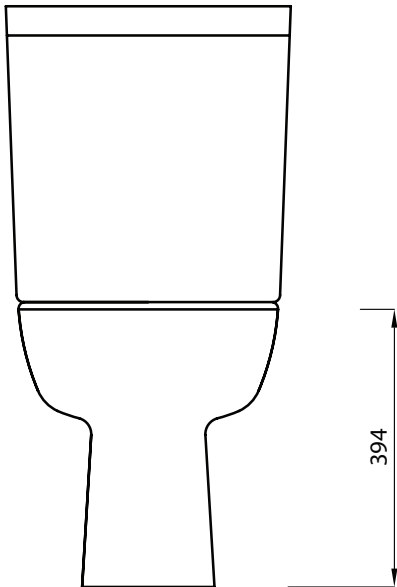
An average toilet pan is 400mm high, and this dimension hasn't changed in over 200 years. The new comfort height toilets from Lecico add around 40mm in additional height, which when added to the height of a typical toilet seat makes a far more comfortable seating position of around 475mm to 500mm.

Although such a small increase sounds like it would not make much difference, it is only when you try one of the new comfort height toilets that you appreciate what a difference 4cm can make for all ages of users.

Comfort height



Standard height



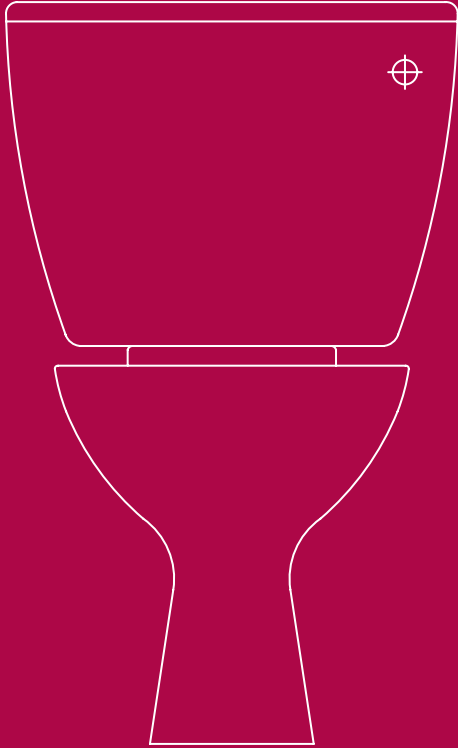
What is Comfort height?

When the modern toilet was designed in 1778 (by Joseph Bramah - not Thomas Crapper) the average height of a man was 5'6". Today modern man stands at around 5'10", yet this increase in height has not been matched by changes to toilets; which have remained around the same height for the last 250 years.

Due mainly to legislation surrounding accessible WC's and in particular document M of the building regulations, toilets with an increased height have increasingly been produced. These products have now started to make their way into domestic life. These new WC's are far more comfortable to use and also provide benefits for an aging population. This new generation of WC's have taken the traditionally commercial design and modernised it making comfort height a viable option for a modern bathroom.



WC's



- Close coupled 62-99
- Back to wall 100-119
- Wall hung 120-129
- Low/high level 130-149
- Squatting 150-153



CI/SFB
(74)

Overview:

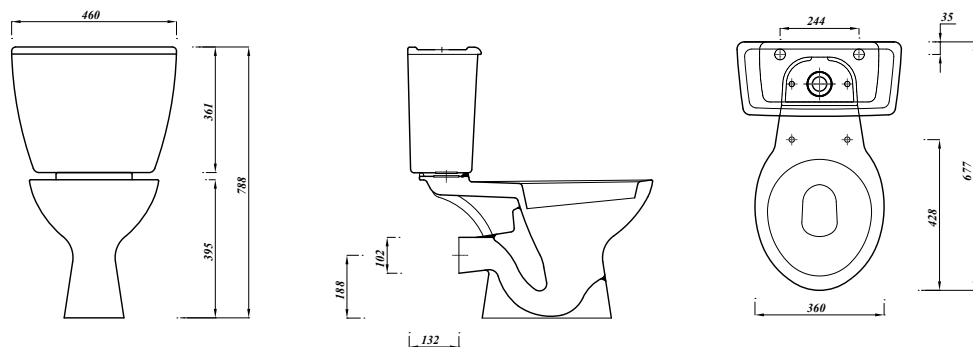
A classic design, this close coupled WC features a dual flush push button mechanism.

Key product features:

- Horizontal outlet
- CE Compliant
- Pre-installed mechanism
- Bottom inlet internal overflow

Product:	Pan	Cistern	Soft close seat
Code:	ASWHNPA	ASWHPPBCI	STWHSCUNP
Weight in kg:	16.5	14.2	1.1
Colour:	White		
Material:	Vitreous china		Plastic
Standard:	EN997-CL1-6-VR11+CL2		n/a
DOP:	WCC1		n/a
BiM download:	✓	✓	n/a
CAD download:	✓	✓	n/a
Flushing volume	6/4ltr		
Flushing mechanism	Dual flush push button		
Inlet	RH bottom inlet		
WRAS	All Lecico flushing mechanisms are WRAS approved		
Options:	Standard seat S/S hinges - STWHSSUNP		

Shown: Close coupled WC with dual flush push button cistern and soft close seat
ASWHNPA - ASWHPPBCI - STWHSCUNP



Special notes

Pan fixes directly to the floor - screws not supplied

Cistern can be fixed to a wall

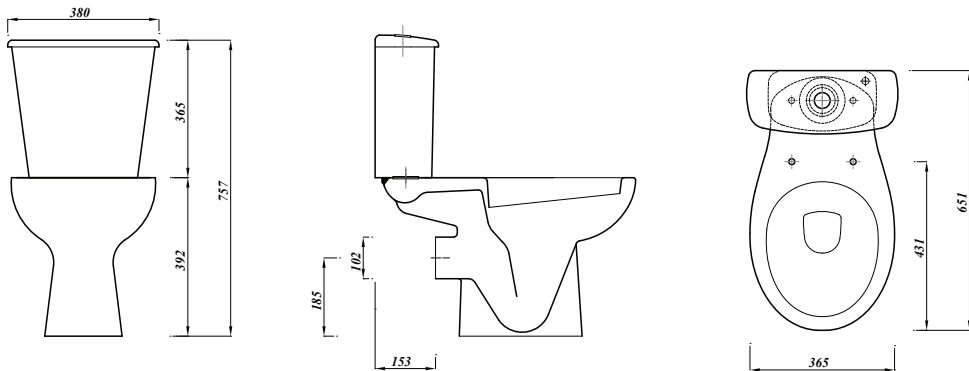
For more seat options please reference pages 354-385

All dimensions are approximate and subject to normal ceramic variation.

Although every effort is made not to change the above product specification, Lecico reserve the right to do so without prior notification if necessary.



Shown: Close coupled WC combination pack with standard seat
ASWHSMPCI



CI/SFB	(74)
--------	------

Overview:

A close coupled pan with smooth lines, it's a family friendly easy clean WC featuring dual flush push button operation. This WC is designed to work on either 6/4 ltrs or 4/2.6 ltrs to aid in water saving.

Key product features:

- Horizontal outlet
- CE Compliant
- Smooth modern design
- Water saving option

Product:	Pan	Cistern	Soft close seat
Code:	ASWHSMPA	ASWHSMPB	STWHSCUNP
Weight in kg:	15.8	9.9	1.1
Colour:	White		
Material:	Vitreous china		Plastic
Standard:	EN997-CL1-6/4+VR11+CL2		n/a
DOP:	WCC1-C2		n/a
BiM download:	✓	✓	n/a
CAD download:	✓	✓	n/a
Flushing volume:	6/4ltr standard / Adjustable down to 4/2.6ltr		
Flushing mechanism:	Dual flush push button		
Inlet:	RH bottom inlet		
WRAS:	All Lecico flushing mechanisms are WRAS approved		
Options:	Standard seat S/S hinges - STWHSSUNP		
Boxed pick up pack:	ASWHSMPCI - Pan, Cistern and standard seat		

Special notes

Pan fixes to floor using side fixing bracket supplied with pan
Cistern can be fixed to a wall
For more seat options please reference pages 354-385

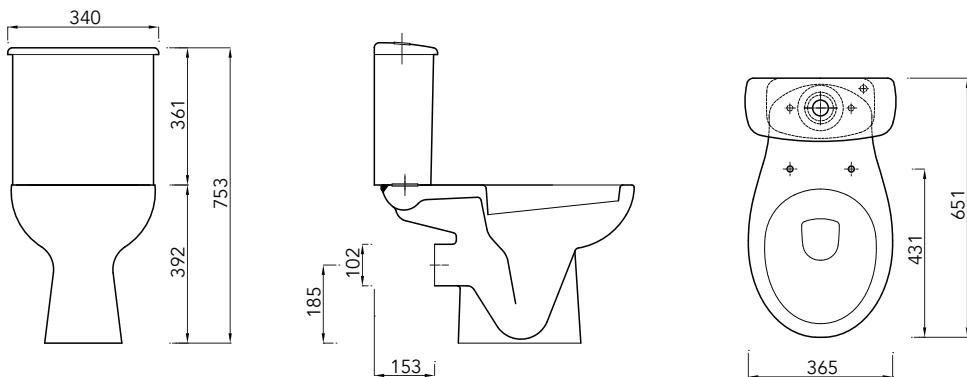
All dimensions are approximate and subject to normal ceramic variation.
Although every effort is made not to change the above product specification, Lecico reserve the right to do so without prior notification if necessary.



CI/SFB
(74)



Shown: Close coupled WC with dual flush push button cistern and soft close seat
ASWHSMPA - GEOWHPCI - STWHSCUNP



Overview:

A close coupled pan with smooth lines, it's a family friendly easy clean WC featuring dual flush push button operation. This WC is designed to work on either 6/4 ltrs or 4/2.6 ltrs to aid in water saving.

Key product features:

- Horizontal outlet
- CE Compliant
- Smooth modern design
- Water saving option

Product:	Pan	Cistern	Soft close seat
Code:	ASWHSMPA	GEOWHPCI	STWHSCUNP
Weight in kg:	15.8	10.7	1.1
Colour:	White		
Material:	Vitreous china		Plastic
Standard:	EN997-CL1-6/4+VR11+CL2		n/a
DOP:	WCC1-C2		n/a
BiM download:	✓	✓	n/a
CAD download:	✓	✓	n/a
Flushing volume:	6/4ltr standard / Adjustable down to 4/2.6ltr		
Flushing mechanism:	Dual flush push button		
Inlet:	RH bottom inlet		
WRAS:	All Lecico flushing mechanisms are WRAS approved		
Options:	Standard seat S/S hinges - STWHSSUNP		

Special notes

Pan fixes to floor using side fixing bracket supplied with pan
Cistern can be fixed to a wall
For more seat options please reference pages 354-385

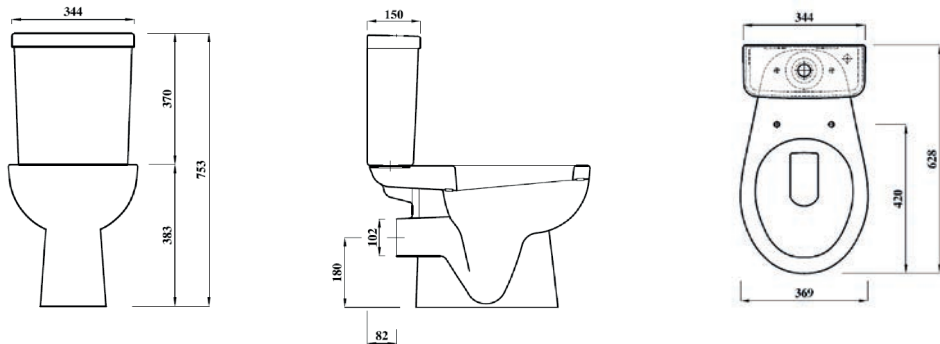
All dimensions are approximate and subject to normal ceramic variation.
Although every effort is made not to change the above product specification, Lecico reserve the right to do so without prior notification if necessary.



CI/SFB	(74)
--------	------



Shown: Close coupled WC with soft close seat, 54cm basin on full pedestal and mono mixer tap.
SENRPAN - SENPCI - STWHSC2NC - SEN54BA1 - SENPED - TPPRAMONO



Overview:

Bold simple lines not only look strikingly modern, they're just so much easier to keep clean. No nooks and crannies to hide the dirt which is a great benefit. This round pan design will look great alongside either a round or square basin.

Key product features:

- Horizontal outlet
- CE Compliant
- Modern design
- Water saving option

Product:	Pan	Cistern	Soft close seat
Code:	SENRPAN	SENPCI	STWHSC2NC
Weight in kg:	16	10.1	2.3
Colour:	White		
Material:	Vitreous china		Plastic
Standard:	EN997-CL1-6/4-VRII+CL2		n/a
DOP:	WCC1/2/3/4		n/a
BiM download:	x	x	x
CAD download:	✓	✓	✓
Flushing volume	6/4ltr standard / Adjustable down to 4/2.6ltr		
Flushing mechanism	Dual flush push button		
Inlet	Bottom inlet RH		
WRAS	Fittings are WRAS approved		

Special notes

Pan fixes to floor using side fixing bracket supplied with pan.
Cistern can be fixed to a wall
For more seat options please reference pages 354-385

All dimensions are approximate and subject to normal ceramic variation.
Although every effort is made not to change the above product specification, Lecico reserve the right to do so without prior notification if necessary.



CI/SFB	(74)		
--------	------	--	--

Overview:

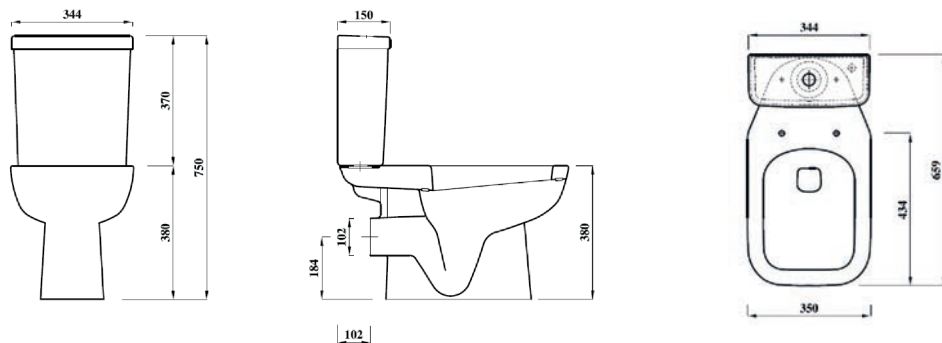
With clean lines this “soft square” ultra modern WC provides the latest in design. It will match a wide range of square or round basins giving you total flexibility.

Key product features:

- Horizontal outlet
- CE Compliant
- Modern square design
- Water saving option

Product:	Pan	Cistern	Soft close seat
Code:	SENSQPAN	SENPCI	STSENSQSC
Weight in kg:	17.7	10.1	2.3
Colour:	White		
Material:	Vitreous china		Plastic
Standard:	EN997-CL1-6/4-VRII+CL2		
DOP:	WCC1/2/3/4		
BiM download:	x	x	n/a
CAD download:	✓	✓	n/a
Flushing volume:	6/4ltr standard / Adjustable down to 4/2.6ltr		
Flushing mechanism:	Dual flush push button		
Inlet:	Bottom inlet RH		
WRAS:	All Lecico fittings are WRAS approved		

Shown: Close coupled WC with soft close seat, 60cm vanity unit with basin and mono mixer tap.
SENSQPAN - SENPCI - STSENSQSC - LIVUDE - TPCEDMONO



Special notes

- Pan fixes to floor using side fixing bracket supplied with pan
- Cistern can be fixed to a wall
- Soft close seat only

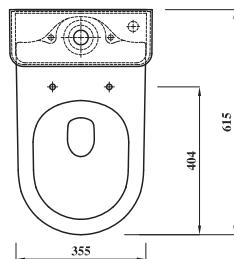
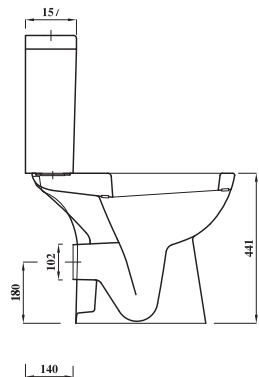
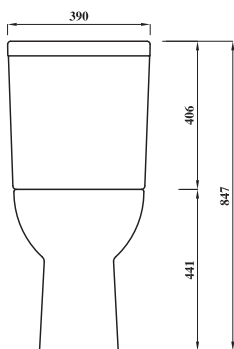
All dimensions are approximate and subject to normal ceramic variation. Although every effort is made not to change the above product specification, Lecico reserve the right to do so without prior notification if necessary.



CI/SFB
(74)



Shown: Close coupled WC and thin lipped basin on pedestal with mono mixer tap.
AP-COMRDSCCOMB - TLR55BA1 - LGWHPE - TPASHMONO



Overview:

This comfort height round WC is a modern designer toilet with an additional 50-60mm of height above a standard toilet, making it more comfortable to use. It features a smooth uninterrupted bowl design, a full width platform and bold sculptured sides to provide contrast and interest. As well as comfort height this WC is also short projection at just 615mm depth.

Key product features:

- Horizontal outlet
- CE Compliant
- Smooth modern design
- Water saving option
- Space saving

Product:	Pan	Cistern	Soft close seat
Code:	COMRDNPA	SQ2PCI	STWHSCEARL
Weight in kg:	19.9	13	2.6
Colour:	White		
Material:	Vitreous china		Plastic
Standard:	EN997-CL1-6/4+VR11+CL2		n/a
DOP:	WCC1-C2-C3-C4		n/a
BiM download:	x	x	n/a
CAD download:	✓	✓	n/a
Flushing volume:	6/4ltr standard / Adjustable down to 4/2.6ltr		
Flushing mechanism:	Dual flush push button		
Inlet:	RH bottom inlet		
WRAS:	All Lecico flushing mechanisms are WRAS approved		
Boxed pick up pack:	AP-COMRDSCCOMB - Pan, cistern & soft close seat		

Special notes

Pan fixes to floor using side fixing bracket supplied with pan
Cistern can be fixed to a wall
Optional raised height palm push button available - PBRASIAMP
For more seat options please reference pages 354-385

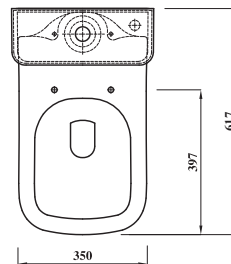
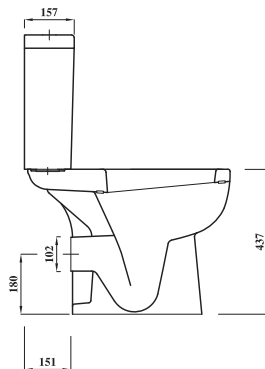
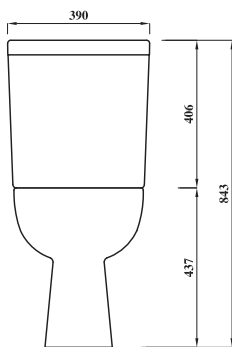
All dimensions are approximate and subject to normal ceramic variation.
Although every effort is made not to change the above product specification, Lecico reserve the right to do so without prior notification if necessary.



CI/SFB
(74)



Shown: Close coupled WC and thin lipped basin, bottle trap with mono mixer tap.
AP-COMSQSCOMB - TLSQ55BA1 - TPCEDMONO - BOTRAPCH



Overview:

This comfort height square WC is a bold designer toilet with an additional 50-60mm of height above a standard toilet, making it more comfortable and easy to use. The all new design features a smooth uninterrupted bowl design, a full width platform and square seat profile for the latest in soft edge square design. As well as comfort height this WC is also short projection at just 617mm depth.

Key product features:

- Horizontal outlet
- CE Compliant
- Smooth modern design
- Water saving option
- Space saving

Product:	Pan	Cistern	Soft close seat
Code:	COMSQNPA	SQ2PCI	STSENSQSC
Weight in kg:	21.1	13	2.3
Colour:	White		
Material:	Vitreous china		Plastic
Standard:	EN997-CL1-6/4+VR11+CL2		n/a
DOP:	WCC1-C2-C3-C4		n/a
BiM download:	x	x	n/a
CAD download:	✓	✓	n/a
Flushing volume:	6/4ltr standard / Adjustable down to 4/2.6ltr		
Flushing mechanism:	Dual flush push button		
Inlet:	RH bottom inlet		
WRAS:	All Lecico flushing mechanisms are WRAS approved		
Boxed pick up pack:	AP-COMSQSCOMB - Pan, cistern & soft close seat		

Special notes

- Pan fixes to floor using side fixing bracket supplied with pan
- Cistern can be fixed to a wall
- Optional raised height palm push button available - PBRASIAMP
- Soft close seat only

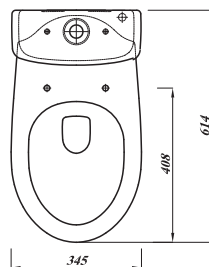
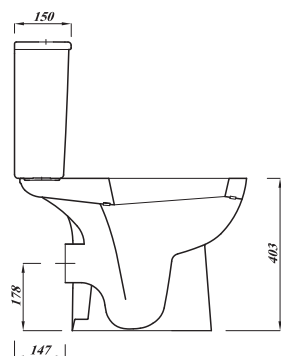
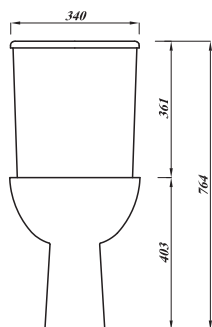
All dimensions are approximate and subject to normal ceramic variation. Although every effort is made not to change the above product specification, Lecico reserve the right to do so without prior notification if necessary.



CI/SFB
(74)



Shown: Close coupled WC with soft close seat, 45cm round basin on semi pedestal and mono mixer tap.
SPSCOMB - MDWHR45BA1 - MDWHCSPE - TPPERAMONO



Overview:

Fill even the smallest space with lots of style. Its clean lines make it a stylish yet practical option when space is at a premium. This pan retains full usability despite its compact dimensions of just 614mm in depth.

Key product features:

- Horizontal outlet
- CE Compliant
- Space saving design
- Water saving option

Product:	Pan	Cistern	Soft close seat
Code:	SPSNPA	GEOWHPCI	STWHSPSL
Weight in kg:	18.5	10.7	1.5
Colour:	White		
Material:	Vitreous china		Plastic
Standard:	EN997-CL1-6/4-VRII+CL2		n/a
DOP:	WCC1/2/3/4		n/a
BiM download:	x	x	n/a
CAD download:	✓	✓	n/a
Flushing volume:	6/4ltr standard / Adjustable down to 4/2.6ltr		
Flushing mechanism:	Dual flush push button		
Inlet:	Bottom inlet RH		
WRAS:	All Lecico flushing mechanisms are WRAS approved		
Pick up pack:	SPSCOMB - Pan, Cistern and standard seat		

Special notes

Pan fixes to floor using side fixing bracket supplied with pan
Cistern can be fixed to a wall
For more seat options please reference pages 354-385

All dimensions are approximate and subject to normal ceramic variation.
Although every effort is made not to change the above product specification, Lecico reserve the right to do so without prior notification if necessary.



CI/SFB
(74)



Overview:

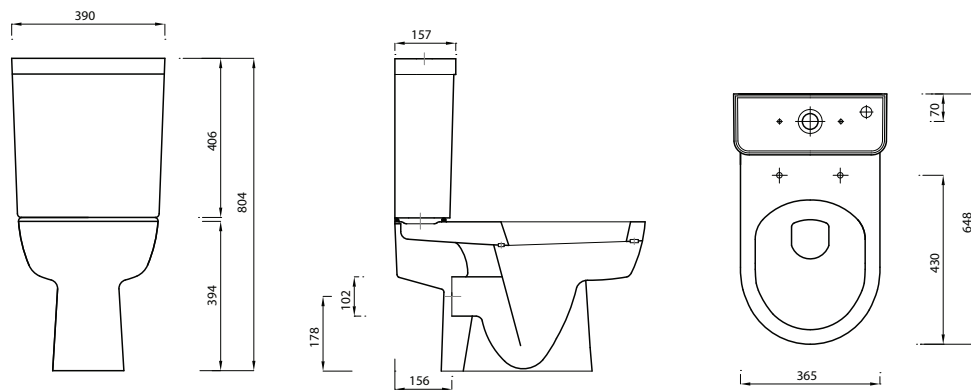
Based on the philosophy of simple clean lines with practical options this WC will suit both contemporary or traditional bathrooms. The pan's design also means it will sit well with either a square or round basin.

Key product features:

- Horizontal outlet
- CE Compliant
- Modern design

Product:	Pan	Cistern	Soft close seat
Code:	MDWHPA	MDWHPCI	STWHSC2MD
Weight in kg:	23.4	9.8	2
Colour:	White		
Material:	Vitreous china		Plastic
Standard:	EN997-CL1-6/4-VRII+CL2		n/a
DOP:	WCC1/2/3/4		n/a
BiM download:	x	x	x
CAD download:	✓	✓	✓
Flushing volume	6/4ltr standard		
Flushing mechanism	Dual flush push button		
Inlet	Bottom inlet		
WRAS	Fittings are WRAS approved		

Shown: Close coupled WC with soft close seat.
MDWHPA - MDWHPCI - STWHSC2MD



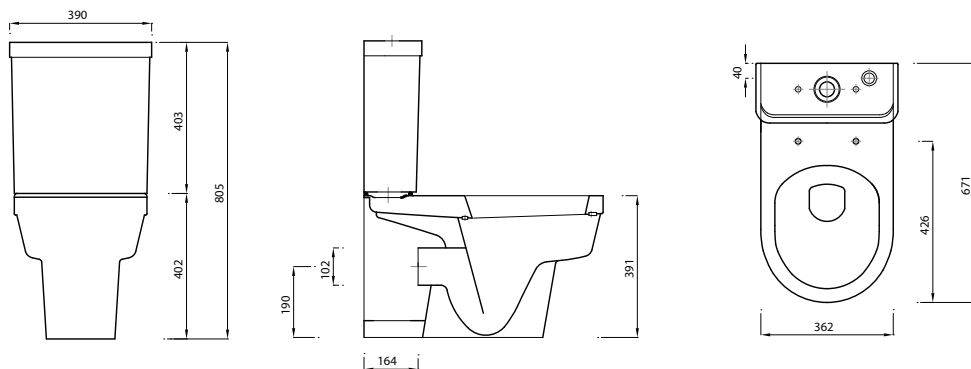
Special notes

Pan fixes to floor using side fixing bracket supplied with pan.
Cistern can be fixed to a wall
For more seat options please reference pages 354-385

All dimensions are approximate and subject to normal ceramic variation.
Although every effort is made not to change the above product specification, Lecico reserve the right to do so without prior notification if necessary.



Shown: Close coupled WC with soft close seat
STPWHPAN - STPWHPCI - STWHSC2MD



Overview:

Distinct and striking design, this bold WC allows you to create a bathroom design that is as individual as you are. This WC is designed to work on either 6/4 ltrs or 4/2.6 ltrs to aid in water saving.

Key product features:

- Horizontal outlet
- CE Compliant
- Bold modern design
- Water saving option

Product:	Pan	Cistern	Soft close seat
Code:	STPWHPAN	STPWHPCI	STWHSC2MD
Weight in kg:	31	14.1	2.6
Colour:	White		
Material:	Vitreous china		Plastic
Standard:	EN997-CL1-6/4+VR11+CL2		n/a
DOP:	WCC1-C2		n/a
BiM download:	✓	✓	n/a
CAD download:	✓	✓	n/a
Flushing volume:	6/4ltr standard / Adjustable down to 4/2.6ltr		
Flushing mechanism:	Dual flush push button		
Inlet:	RH bottom inlet		
WRAS:	All Lecico flushing mechanisms are WRAS approved		

Special notes

Pan fixes to floor using side fixing bracket supplied with pan.
Seats for this WC are top fix to make installation and cleaning easy.
For more seat options please reference pages 354-385

All dimensions are approximate and subject to normal ceramic variation.
Although every effort is made not to change the above product specification, Lecico reserve the right to do so without prior notification if necessary.



CI/SFB
(74)

Overview:

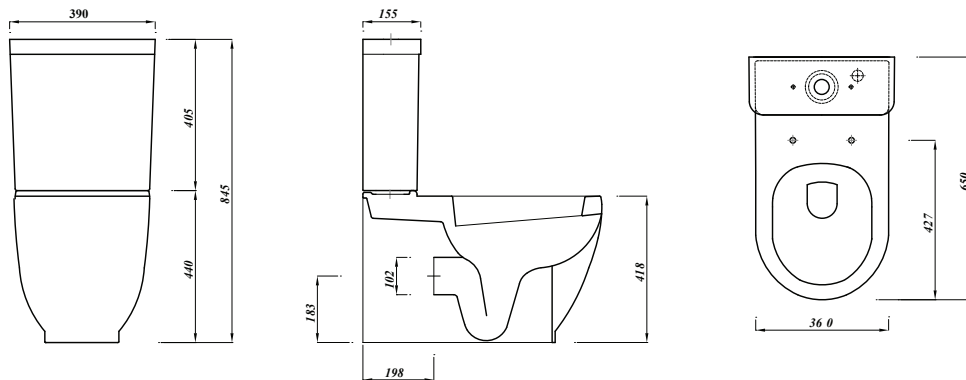
Contemporary, stylish and bold, the solid structure and striking appearance of the WC is designed to complement a wide range of modern bathroom designs.

Key product features:

- Horizontal outlet
- CE Compliant
- Modern design
- Water saving option

Product:	Pan	Cistern	Soft close seat
Code:	AVNWHPAN	AVNWHPCI	STWHSC2MD
Weight in kg:	30.7	13.1	2
Colour:	White		
Material:	Vitreous china		Plastic
Standard:	EN997-CL1-4-VR11+CL2		n/a
DOP:	WCC2		n/a
BiM download:	x	x	n/a
CAD download:	✓	✓	n/a
Flushing volume:	6/4ltr standard / Adjustable down to 4/2.6ltr		
Flushing mechanism:	Dual flush push button		
Inlet:	Bottom inlet RH		
WRAS:	All Lecico fittings are WRAS approved		

Shown: Close coupled WC with soft close seat.
AVNWHPAN - AVNWHPCI - STWHSC2MD



Special notes

Pan fixes to floor using side fixing bracket supplied with pan.
Cistern can be fixed to a wall
For more seat options please reference pages 354-385

All dimensions are approximate and subject to normal ceramic variation.
Although every effort is made not to change the above product specification, Lecico reserve the right to do so without prior notification if necessary.



CI/SFB
(74)



Overview:

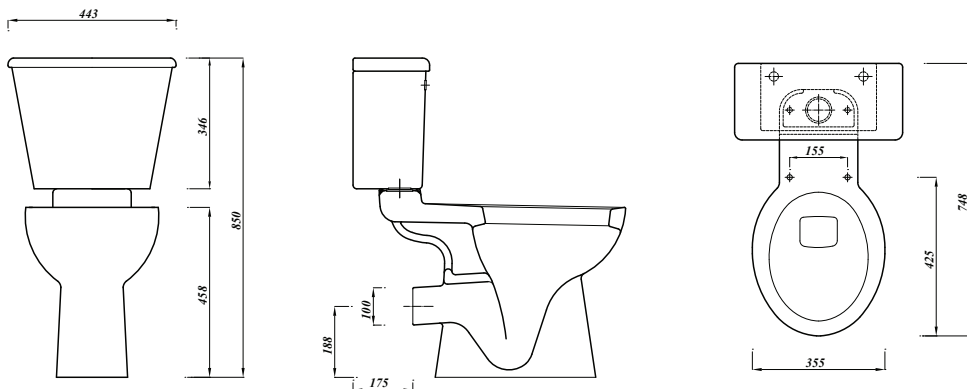
Providing a comfort height close coupled WC for either commercial or domestic settings. This classic design is a great option for when substance trumps style.

Key product features:

- Horizontal outlet
- CE Compliant
- Classic close coupled design
- Raised height for more comfort

Product:	Pan	Cistern	Soft close seat
Code:	DOCMNPAN	UNWHPCIPB	STWHSC2ALUX
Weight in kg:	18.4	15	1.1
Colour:	White		
Material:	Vitreous china		Plastic
Standard:	EN997-CL1-6-VR1+CL2		n/a
DOP:	WCC1		n/a
BiM download:	✓	✓	n/a
CAD download:	✓	✓	n/a
Flushing volume:	6/4ltr dual flush		
Flushing mechanism:	Dual flush push button		
Inlet:	RH bottom inlet		
WRAS:	All Lecico flushing mechanisms are WRAS approved		
Options:	Standard seat S/S hinges - STWHASLUX		

Shown: Close coupled WC with soft close seat
DOCMNPAN - UNWHPCIPB - STWHSC2ALUX



Special notes

Pan fixes directly to floor using four fixing holes - screws not supplied

Cistern can be fixed to a wall

Optional raised height palm push button available - PBRASIAMP

For more seat options please reference pages 354-385

All dimensions are approximate and subject to normal ceramic variation.

Although every effort is made not to change the above product specification, Lecico reserve the right to do so without prior notification if necessary.



CI/SFB
(74)

Overview:

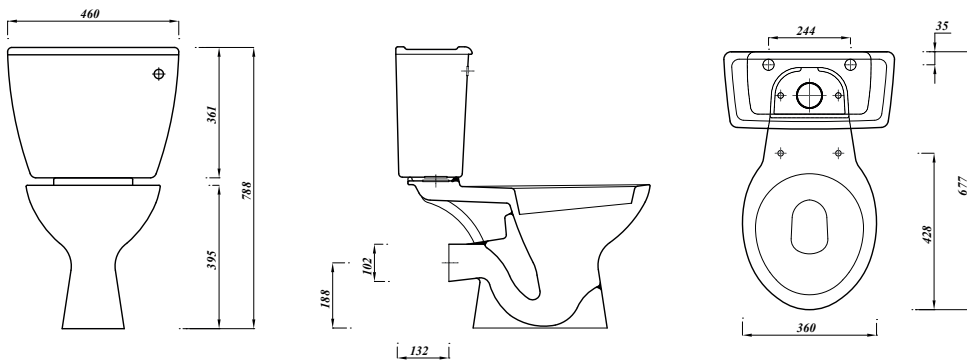
A classic design, this close coupled WC features a dual flush lever mechanism.

Key product features:

- Horizontal outlet
- CE Compliant
- Bottom inlet internal overflow

Product:	Pan	Cistern	Soft close seat
Code:	ASWHPAN	ASWHPCI	STWHSCUNP
Weight in kg:	16.5	14.2	1.1
Colour:	White		
Material:	Vitreous china		Plastic
Standard:	EN997-CL1-6-VR11+CL2		n/a
DOP:	WCC1		n/a
BiM download:	✓	✓	n/a
CAD download:	✓	✓	n/a
Flushing volume	6/4ltr		
Flushing mechanism	Dual flush lever		
Inlet	RH bottom inlet		
WRAS	All Lecico flushing mechanisms are WRAS approved		
Options:	Standard seat S/S hinges - STWHSSUNP		

Shown: Close coupled WC with dual flush lever cistern and soft close seat
ASWHPAN - ASWHPCI - STWHSCUNP



Special notes

Pan fixes directly to the floor - Screws not supplied

Cistern can be fixed to a wall

Cistern fixes to pan using plate system

For more seat options please reference pages 354-385

All dimensions are approximate and subject to normal ceramic variation.

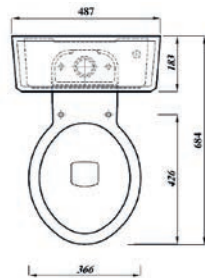
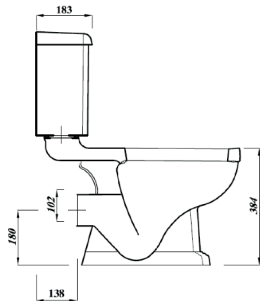
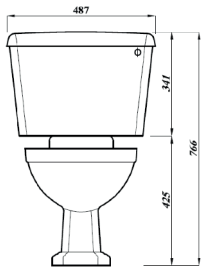
Although every effort is made not to change the above product specification, Lecico reserve the right to do so without prior notification if necessary.



CI/SFB
(74)



Shown: Close coupled WC with soft close seat.
ROXCCPAN - ROXCI - STWHSCNH



Overview:

A classically designed traditional Victorian style WC that would fit perfectly into a classical or a neo-traditional styled bathroom.

Key product features:

- Horizontal outlet
- CE Compliant
- Traditional design

Product:	Pan	Cistern	Soft close seat
Code:	ROXCCPAN	ROXCI	STWHSCNH
Weight in kg:	18.2	14	2
Colour:	White		
Material:	Vitreous china		Plastic
Standard:	EN997-CL1-6-VRI+CL2		n/a
DOP:	WCC1		
BiM download:	x	x	x
CAD download:	✓	✓	✓
Flushing volume:	6/4ltr standard		
Flushing mechanism:	Dual flush lever		
Inlet:	Bottom inlet RH		
WRAS:	All Lecico fittings are WRAS approved		

Special notes

Pan fixes directly to the floor - Screws not supplied

Cistern can be fixed to a wall

For more seat options please reference pages 354-385

All dimensions are approximate and subject to normal ceramic variation.

Although every effort is made not to change the above product specification, Lecico reserve the right to do so without prior notification if necessary.



CI/SFB
(74)



Overview:

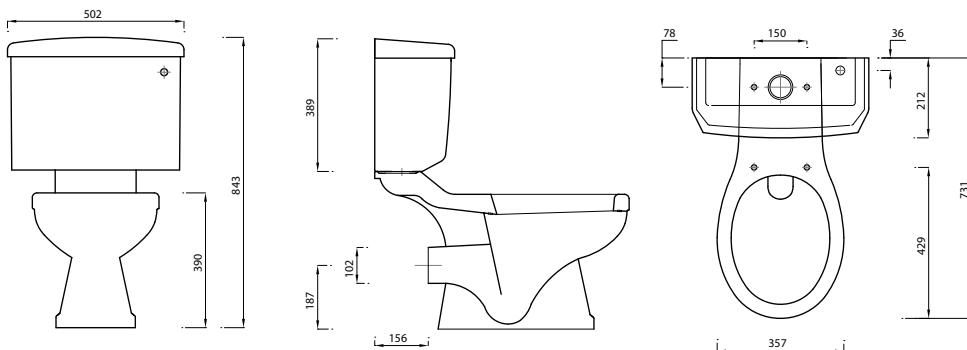
With strong lines and exquisite detail, this WC combines the styling of yesteryear with the functionality required for modern living.

Key product features:

- Horizontal outlet
- CE Compliant
- Traditional design

Product:	Pan	Cistern	Soft close seat
Code:	NCWHPA	NCWHCI	STWHSCNH
Weight in kg:	23.9	17	
Colour:	White		
Material:	Vitreous china		Plastic
Standard:	EN997-CL1-6-VR11+CL2		n/a
DOP:	WCC1/3		n/a
BiM download:	x	x	n/a
CAD download:	✓	✓	n/a
Flushing volume:	6/4ltr standard		
Flushing mechanism:	Dual flush lever		
Inlet:	Bottom inlet RH		
WRAS:	All Lecico fittings are WRAS approved		
Options:	Standard seat - STWHNC		

Shown: Close coupled WC with soft close seat.
NCWHPA - NCWHPCI - STWHSCNH



Special notes

Pan fixes directly to the floor

Cistern can be fixed to a wall

For more seat options please reference pages 354-385

All dimensions are approximate and subject to normal ceramic variation.

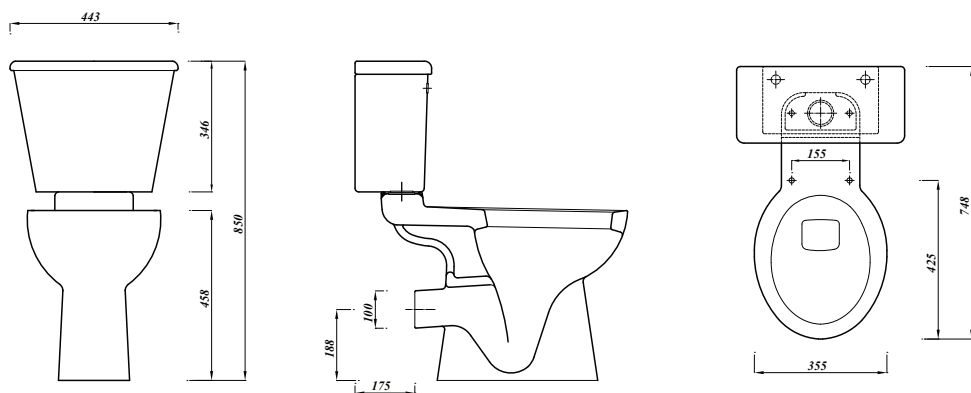
Although every effort is made not to change the above product specification, Lecico reserve the right to do so without prior notification if necessary.



CI/SFB	(74)		
--------	------	--	--



Shown: Comfort height Wc with ring seat.
 DOCMN PAN - DOCMCI - CPKDOC - STDBRING
 Rails shown for illustration



Overview:

This comfort height WC is designed to be fully compliant with DocM. Its raised height and 750mm projection makes transferring to and from a wheelchair easier. When used in conjunction with other dedicated DocM products from the Lecico range and following the official Lantac room layout, this combination ensures statutory compliance.

Key product features:

- Horizontal outlet
- CE Compliant
- Easy operate single flush mechanism

Product:	Pan	Cistern	Ring seat
Code:	DOCMNPAN	DOCMCI	STDBRING
Weight in kg:	18.4	13.7	1.9
Colour:	White		
Material:	Vitreous china		Plastic
Standard:	EN997-CL1-6-VR11+CL2		n/a
DOP:	WCC2		n/a
BiM download:	✓	✓	n/a
CAD download:	✓	✓	n/a
Flushing volume	6ltr Single flush		
Flushing mechanism	Lever action - Left or right hand		
Cistern pack:	CPKDOC - Sold separately		
Inlet:	Bottom inlet		
WRAS:	All Lecico fittings are WRAS approved		
White ring seat:	STWHRING / STWHLRING - with lid		
Blue ring seat:	STDBRING / STDBLRING - with lid		
Grey ring seat:	STGRRING / STGRLRING - with lid		
Black ring seat:	STDBLRING - with lid		
Red ring seat:	STRDRING / STRDLRING - with lid		
Anti-lateral no lidded ring seat:	White - STRINGALWH / Blue - STRINGALBL / Grey - STRINGALGR		

Special notes

- Cistern and cistern fittings are sold separately
- Pan fixes directly to the floor with four fixing holes - Screws not supplied
- Cistern fixes to wall and features a secure screw hole lid.
- Lidded seats are available but are not DocM compliant (for use in non DocM settings only)

All dimensions are approximate and subject to normal ceramic variation. Although every effort is made not to change the above product specification, Lecico reserve the right to do so without prior notification if necessary.

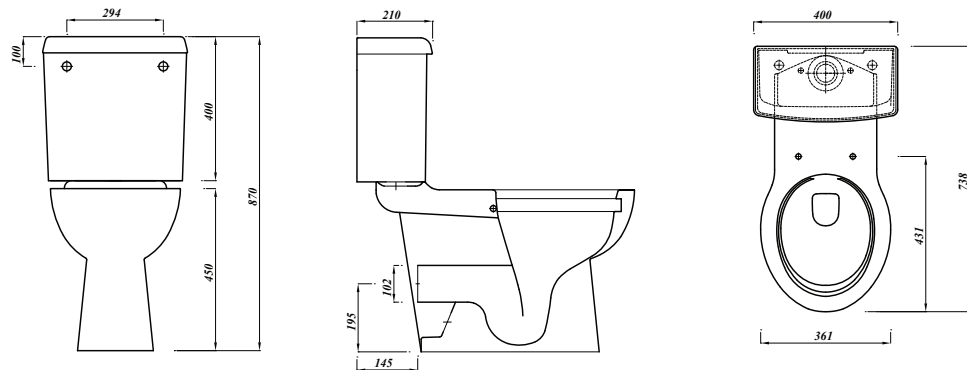


CI/SFB	(74)		
--------	------	--	--



Shown: Close coupled 750mm projection WC with grey ring seat.

DOCM750PAN - DOCM750BCI - STDGRTFRING2
 Rails shown for illustration



Overview:

Designed to meet the demands of DocM and LANTAC. This WC has a projection of 750mm to provide easy access for wheelchair users and those with limited mobility. The Rimless design also makes this product comply with HBN 00-10 Part C (formerly known as HTM64).

Key product features:

- Horizontal outlet
- CE and HBN 00-10 Part C Compliant
- Raised height
- DocM ready

Product:	Pan	Cistern
Code:	DOCM750PAN	DOCM750BCI
Weight in kg:	29.4	14.2
Colour:	White	
Material:	Vitreous china	
Standard:	EN997-CL1-4-VRII+CL2	
DOP:	WCC2	
BiM download:	✓	✓
CAD download:	✓	✓
Flushing volume	4ltr Single flush	
Flushing mechanism:	Lever action - Left or right hand	
Inlet:	Bottom inlet LH/RH	
WRAS:	All Lecico fittings are WRAS approved	
White ring seat:	STWHTFIXRINGA2 - no lid / STWHTFIXLRINGA2 - with lid	
Blue ring seat:	STDBTFRING2 - no lid / STDBTFLRING2 - with lid	
Grey ring seat:	STDGRTFRING2 - no lid / STDGRTFLRING2 - with lid	
Black ring seat:	STDBLARING - with lid*	
Red ring seat:	STRDRING* - no lid / STRDLRING - with lid*	
Anti-lateral no lidded ring seat:	White - STRINGALWH / Blue - STRINGALBL / Grey - STRINGALGR	

Special notes

Pan fixes to floor using side fixing bracket supplied with pan.

Cistern fixes to wall.

Seats for this WC are top fix to make installation and cleaning easy.

*Requires additional top fix hinge mechanism STWHTFRING.

All dimensions are approximate and subject to normal ceramic variation.

Although every effort is made not to change the above product specification, Lecico reserve the right to do so without prior notification if necessary.

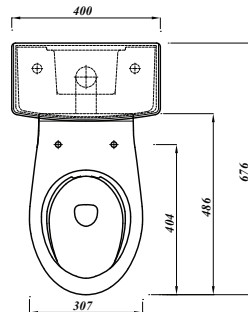
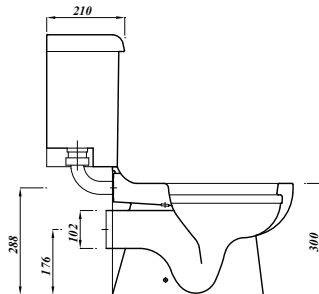
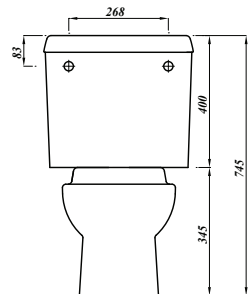


CI/SFB
(74)



Low level & Back to wall configurations

Shown: Close coupled WC with dual flush lever cistern and ring seat
SC35BTWRIM - SCWHPCI - STWHTFIXRINGA2



Overview:

Designed for school and early years settings, this 350mm height toilet is designed for junior users. The pan is specifically engineered to be used in a back to wall, close coupled or low level configuration.

Key product features:

- Rimless design
- 3-in-1 pan configuration
- CE Compliant

Product:	Pan	CC / LL Cistern	Ring seat
Code:	SC35BTWRIM	SCWHPCI	STWHTFIXRINGA2
Weight in kg:	19.4	15	1.1
Colour:	White		
Material:	Vitreous china		Plastic
Standard:	EN997-CL1-4A+CL2		n/a
DOP:	WCBTW2		n/a
BiM download:	✓	✓	n/a
CAD download:	✓	✓	n/a
Flushing volume:	4/2.6ltr		
Flushing mechanism:	Dual flush lever		
Inlet:	Bottom inlet LH/RH		
WRAS:	All Lecico flushing mechanisms are WRAS approved		
Options:	Pan can be used with concealed cistern for use in a BTW setting (either lever or push button)		
White seat:	Top fix - STWHTFIXRINGA2 With lid - STWHTFIXLRINGA2		
Top fix Hinge:	STWHTFRING - Hinge only (to be used with coloured ring seats supplied separately)		

Special notes

Cistern contains pipework for both close coupled and low level configurations.
Pan fixes to floor using side fixing bracket supplied with pan
For concealed cistern options please see pages 396 - 417
For more seat options please reference pages 354-385

All dimensions are approximate and subject to normal ceramic variation.
Although every effort is made not to change the above product specification, Lecico reserve the right to do so without prior notification if necessary.

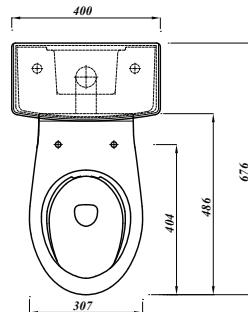
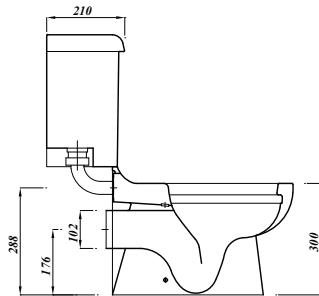
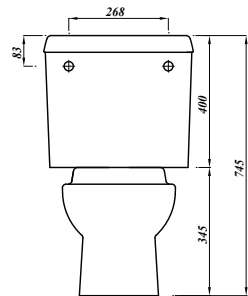


CI/SFB
(74)



Low level & Back to wall configurations

Shown: Close coupled WC with dual flush lever cistern and crescent seat
SC30BTWRIM - SCWHPCI - STWHSRING



Overview:

Designed for early years settings, this 300mm height toilet is designed for infant users. The pan is specifically engineered to be used in a back to wall, close coupled or low level configuration.

Key product features:

- Rimless design
- Three in one pan configuration
- CE Compliant

Product:	Pan	CC / LL Cistern	Crescent ring seat
Code:	SC30BTWRIM	SCWHPCI	STWHSRING
Weight in kg:	16.1	14	1.4
Colour:	White		
Material:	Vitreous china		Plastic
Standard:	EN997-CL1-4A+CL2		n/a
DOP:	WCBTW2		n/a
BiM download:	✓	✓	n/a
CAD download:	✓	✓	n/a
Flushing volume	4/2.6ltr		
Flushing mechanism	Dual flush lever		
Inlet	Bottom inlet		
WRAS	All Lecico flushing mechanisms are WRAS approved		
Options:	Pan can be used with concealed cistern for use in a BTW setting (either lever or push button)		
White seat:	Crescent - STWHSRING		
Black seat:	Crescent - STBLSRING		

Special notes

Cistern contains pipework for both close coupled and low level configurations.

Pan fixes to floor using side fixing bracket supplied with pan

For concealed cistern options please see pages 396 - 417

All dimensions are approximate and subject to normal ceramic variation.

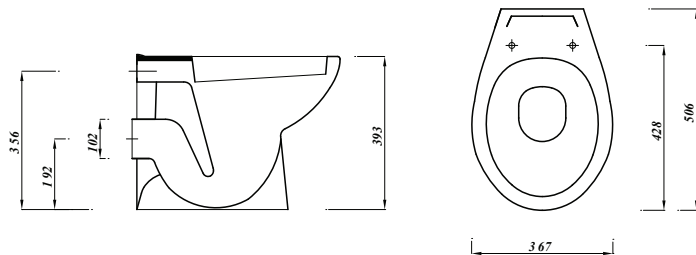
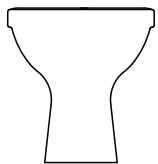
Although every effort is made not to change the above product specification, Lecico reserve the right to do so without prior notification if necessary.



CI/SFB
(74)



Shown: Back to wall pan, concealed cistern and soft close seat.
GEOWHBWPA - BTWRIMCI - STWHSCUNP



Overview:

This elegant back to wall pan can be used with a water saving 4/2.6ltr dual flush or the standard 6/4ltrs. Using a back to wall pan reduces the footprint of the WC saving space in the bathroom. These pans are also perfect for commercial cubicle installations.

Key product features:

- Horizontal outlet
- CE Compliant
- Back to wall design
- Water saving option
- Short projection

Product:	Pan	Soft close seat
Code:	GEOWHBWPA	STWHSCUNP
Weight in kg:	16.22	1.3
Colour:	White	
Material:	Vitreous china	Plastic
Standard:	EN997-CL1-6/4A+CL2	n/a
DOP:	WCBTW1-W2	n/a
BiM download:	x	n/a
CAD download:	✓	n/a
Flushing volume:	6/4ltr and 4/2.6ltr	
Flushing mechanism:	Dual flush push button or lever options	
Inlet:	Subject to cistern choice	
WRAS:	All Lecico fittings are WRAS approved	
Options:	Standard seat - STWHSSUNP	
PB concealed cistern:	BTWCOMPACT2 / BTWPBCI / BTWRIMCI	
Lever concealed cistern:	BTWLEVICI / BTWPHACI	

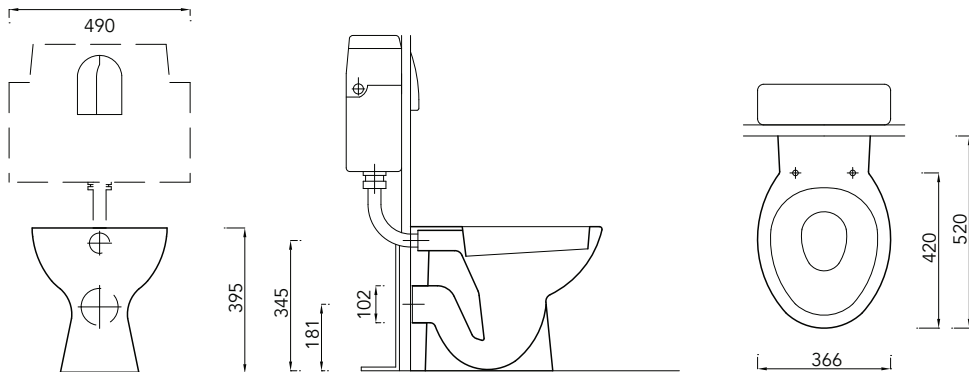
Special notes

Pan fixes directly to the floor with two fixing holes - Screws not supplied
For concealed cistern options please see pages 396 - 417
For more seat options please reference pages 354-385

All dimensions are approximate and subject to normal ceramic variation.
Although every effort is made not to change the above product specification, Lecico reserve the right to do so without prior notification if necessary.



Shown: 55cm SR basin with mono mixer tap, back to wall WC and furniture.
 GEOWHSR55BA1 - TPCEDMONO - ASWHBWPA - STWHSCUNP -
 STOSRBUGW - STOWCUGW - STOWKTMGR



Overview:

This back to wall pan is perfect for commercial and domestic installations alike. Back to wall pans are increasingly popular in part due to the reduced footprint and the ease of which they can be cleaned. Back to wall pans require the use of a concealed cistern which can be either lever or push button operated. This WC is designed to work on either 6/4ltrs or 4/2.6ltrs to aid in water saving.

Key product features:

- CE Compliant
- Modern design
- Water saving option

Product:	Pan	Soft close seat
Code:	ASWHBWPA	STWHSCUNP
Weight in kg:	17.3	1.3
Colour:	White	
Material:	Vitreous china	Plastic
Standard:	EN997-CL1-6/4A+CL2	n/a
DOP:	WCBTW1/W2	n/a
BiM download:	✓	n/a
CAD download:	✓	n/a
Flushing volume:	6/4ltr or 4/2.6ltr	
Flushing mechanism:	Subject to cistern choice	
Inlet:	Subject to cistern choice	
WRAS:	All Lecico flushing mechanisms are WRAS approved	
Options:	Standard seat S/S hinges - STWHSSUNP	
PB concealed cistern:	BTWCOMPACT2 / BTWPBCI	
Lever concealed cistern:	BTWLEVCI / BTWPHACI	

Special notes

Pan fixes directly to the floor - Screws not supplied
 For concealed cistern options please see pages 396 - 417
 For more seat options please reference pages 354-385

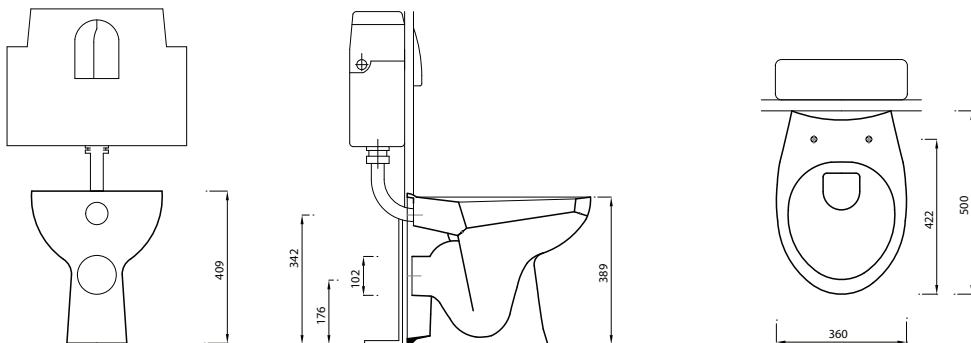
All dimensions are approximate and subject to normal ceramic variation.
 Although every effort is made not to change the above product specification, Lecico reserve the right to do so without prior notification if necessary.



CI/SFB
(74)



Shown: Back to wall WC and furniture.
LGWHBWPN - STWHSC2ALUX



Overview:

With sweeping lines and gentle curves, this back to wall WC creates a simplistic contemporary bathroom suite with outstanding elegance.

Key product features:

- Horizontal outlet
- CE Compliant
- Modern design
- Water saving option
- Short projection

Product:	Pan	Soft close seat
Code:	LGWHBWPN	STWHSC2ALUX
Weight in kg:	18.5	2.1
Colour:	White	
Material:	Vitreous china	Plastic
Standard:	EN997-CL1-6A+CL2	n/a
DOP:	WCBTW1	n/a
BiM download:	x	n/a
CAD download:	✓	n/a
Flushing volume:	6/4ltr standard	
Flushing mechanism:	Dual flush push button or lever options	
Inlet:	Subject to cistern choice	
WRAS:	Fittings are WRAS approved	
Options:	Standard seat - STWHASLUX	
PB concealed cistern:	BTWCOMPACT2 / BTWPBCI	
Lever concealed cistern:	BTWLEVCI / BTWPHACI	

Special notes

Pan fixes to floor using side fixing bracket supplied with pan.
For concealed cistern options please see pages 396 - 417
For more seat options please reference pages 354-385

All dimensions are approximate and subject to normal ceramic variation.
Although every effort is made not to change the above product specification, Lecico reserve the right to do so without prior notification if necessary.

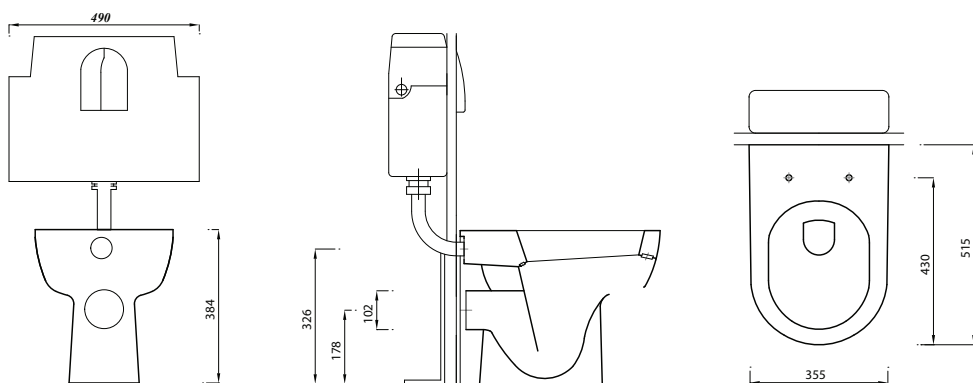


CI/SFB
(74)



Shown: Back to wall WC, 55cm SR basin with mono mixer tap and gloss grey furniture.

MDWHBWPA - STWHSC2MD - MDWHRSRBA1 - TPCEDMONO
- STOSRBUGR - STOWCUGR - STOWKTMGR



Overview:

This contemporary back to wall WC will fit perfectly into a modern designed bathroom, either in a home or commercial setting. The back to wall design also works beautifully with bathroom furniture. The reduced footprint means the WC takes up less floor space.

Key product features:

- Horizontal outlet
- CE Compliant
- Modern design
- Water saving option

Product:	Pan	Soft close seat
Code:	MDWHBWPA	STWHSC2MD
Weight in kg:	21.9	2.5
Colour:	White	
Material:	Vitreous china	Plastic
Standard:	EN97-CL1-6/4A+CL2	
DOP:	WCBTW1/W2	
BiM download:	✓	n/a
CAD download:	✓	n/a
Flushing volume:	6/4ltr and 4/2.6ltr	
Flushing mechanism:	Dual flush push button or lever options	
PB concealed cisterns:	BTWCOMPACT2 / BTWPBCI	
Lever concealed cisterns:	BTWLEVCI / BTWPHACI	
Inlet:	Subject to cistern	
WRAS:	All Lecico fittings are WRAS approved	

Special notes

Pan fixes to floor using side fixing bracket supplied with pan.
For concealed cistern options please see pages 396 - 417
For more seat options please reference pages 354-385

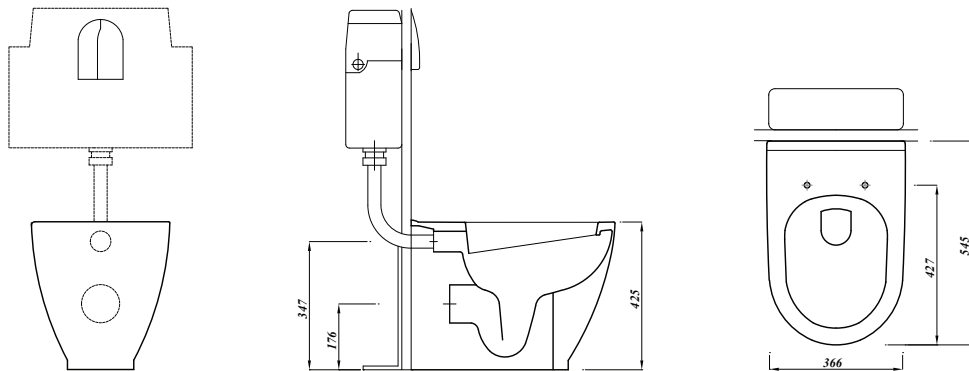
All dimensions are approximate and subject to normal ceramic variation.
Although every effort is made not to change the above product specification, Lecico reserve the right to do so without prior notification if necessary.



CI/SFB
(74)



Shown: Back to wall WC, 55cm SR basin with mono mixer tap and gloss white furniture.
AVNWHBWPA - STWHSC2MD - AVNWHSR55BA1 - TPCEDMONO
- STOSRBUGW - STOWCUGW - STOBUGW - STOWKTLGW



Overview:

Contemporary, stylish and bold. The striking appearance of this back to wall WC is designed to complement a wide range of modern bathroom décors. It is ideal for matching with our furniture ranges.

Key product features:

- Horizontal outlet
- CE Compliant
- Bold design
- Water saving option

Product:	Pan	Soft close seat
Code:	AVNWHBWPA	STWHSC2MD
Weight in kg:	26.1	2.5
Colour:	White	
Material:	Vitreous china	Plastic
Standard:	EN997-4A-CL2	n/a
DOP:	WCBTW2	n/a
BiM download:	×	×
CAD download:	✓	✓
Flushing volume:	6/4ltr and 4/2.6ltr	
Flushing mechanism:	Dual flush push button	
PB concealed cisterns:	BTWCOMPACT2 / BTWPBCI	
Lever concealed cisterns:	BTWLEVCI / BTWPHACI	
Inlet:	Subject to cistern	
WRAS:	All Lecico fittings are WRAS approved	

Special notes

Pan fixes to floor using side fixing bracket supplied with pan.
Furniture shown available in other colours / size options.
For concealed cistern options please see pages 396 - 417
For more seat options please reference pages 354-385

All dimensions are approximate and subject to normal ceramic variation.
Although every effort is made not to change the above product specification, Lecico reserve the right to do so without prior notification if necessary.



CI/SFB
(74)



Shown: Comfort height back to wall WC with soft close seat.
DOCMBWPA - STWHSC2ALUX

Overview:

This sleek comfort height pan has been designed with ease of use in mind. With smooth sides this back to wall WC is perfect for domestic and commercial installations. Its attractive design makes cleaning the WC easier as there is nowhere for dirt and germs to hide.

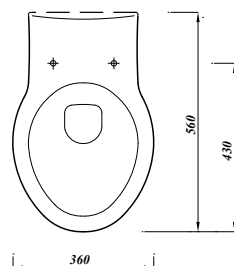
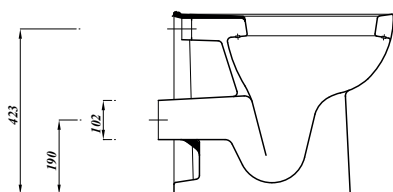
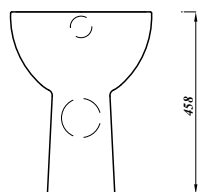
Key product features:

- Horizontal outlet
- CE Compliant
- Modern design
- Raised height

Product:	Pan	Soft close seat
Code:	DOCMBWPA	STWHSC2ALUX
Weight in kg:	23.8	2.1
Colour:	White	
Material:	Vitreous china	Plastic
Standard:	EN997-CL1-6A+CL2	n/a
DOP:	WCBTW1	n/a
BiM download:	✓	n/a
CAD download:	✓	n/a
Flushing volume	6/4ltr dual flush	
PB concealed cistern:	BTWCOMPACT2 / BTWPBCI	
Lever concealed cistern:	BTWLEVCI / BTWPHACI	
Inlet	Subject to cistern	
WRAS	All Lecico fittings are WRAS approved	
Options:	Ring seats and anti-lateral seats available	

Special notes

Pan fixes to floor using side fixing bracket supplied with pan
For concealed cistern options please see pages 396 - 417
For more seat options please reference pages 354-385



All dimensions are approximate and subject to normal ceramic variation.

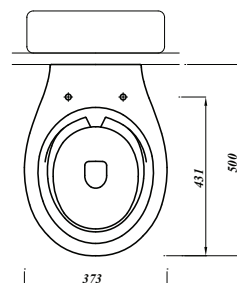
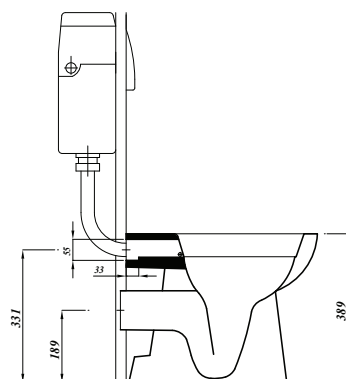
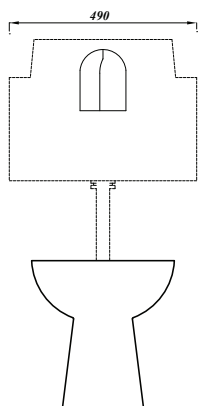
Although every effort is made not to change the above product specification, Lecico reserve the right to do so without prior notification if necessary.



CI/SFB
(74)



Shown: Rimless back to wall WC with white ring seat
RIM50BTWPA - STWHTFIXRINGA2



Overview:

This smooth sided back to wall WC features a rimless design which helps to minimise the risks of bacteria forming. It is a great choice for high traffic areas with its reduced flushing volume, such as motorway services, hotels and restaurants.

Key product features:

- Horizontal outlet
- CE Compliant
- Rimless design
- Water saving

Product:	Pan	Ring seat
Code:	RIM50BTWPA	STWHTFIXRINGA2
Weight in kg:	23.3	2.5
Colour:	White	
Material:	Vitreous china	Plastic
Standard:	EN997-CL1-4A+CL2	n/a
DOP:	WCBTW2	n/a
BiM download:	✓	n/a
CAD download:	✓	n/a
Flushing volume:	4/2.6ltr standard	
Flushing mechanism:	Dual flush push button or lever options	
Inlet:	Subject to cistern choice	
WRAS:	All Lecico fittings are WRAS approved	
PB concealed cisterns:	BTWCOMPACT2 / BTWPBCI	
Lever concealed cisterns:	BTWLEVCI / BTWPHACI	
White seat:	STWHTFIXRINGA2 - no lid / STWHTFIXLRINGA2 - with lid	
Blue seat:	STDBTFRING2 - no lid / STDBTFLRING2 - with lid	
Grey seat:	STDGRTFRING2 - no lid / STDGRTFLRING2 - with lid	
Anti-lateral no lidded ring seat:	White - STRINGALWH / Blue - STRINGALBL / Grey - ST-RINGALGR	

Special notes

Pan fixes to floor using side fixing bracket supplied with pan.
For concealed cistern options please see pages 396 - 417
For more seat options please reference pages 354-385

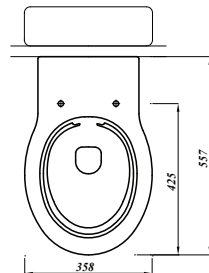
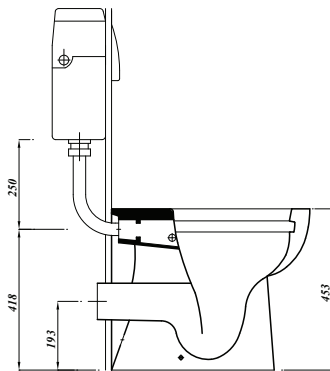
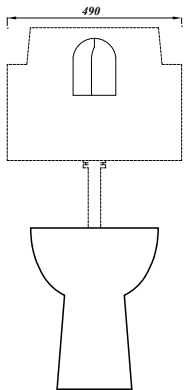
All dimensions are approximate and subject to normal ceramic variation.
Although every effort is made not to change the above product specification, Lecico reserve the right to do so without prior notification if necessary.



CI/SFB
(74)



Shown: Rimless back to wall WC with white ring seat
DOCBTW56RIM - STWHTFIXRINGA2



Overview:

This smooth sided back to wall WC features a rimless design and raised height seating position for more comfort.

Key product features:

- Horizontal outlet
- CE Compliant
- Rimless design
- Water saving option

Product:	Pan	Ring seat
Code:	DOCBTW56RIM	STWHTFIXRINGA2
Weight in kg:	26	2.5
Colour:	White	
Material:	Vitreous china	Plastic
Standard:	EN997-CL1-4A+CL2	n/a
DOP:	WCBTW2	n/a
BiM download:	x	n/a
CAD download:	✓	n/a
Flushing volume:	4/2.6ltr standard	
Flushing mechanism:	Dual flush push button or lever options	
Inlet:	Subject to cistern choice	
WRAS:	All Lecico fittings are WRAS approved	
PB concealed cisterns:	BTWCOMPACT2 / BTWPBCI	
Lever concealed cisterns:	BTWLEVCi / BTWPHACI	
White seat:	STWHTFIXRINGA2 - no lid / STWHTFIXLRINGA2 - with lid	
Blue seat:	STDBTFRING2 - no lid / STDBTFLRING2 - with lid	
Grey seat:	STDGRTFRING2 - no lid / STDGRTFLRING2 - with lid	
Anti-lateral no lidded ring seat:	White - STRINGALWH / Blue - STRINGALBL / Grey - STRINGALGR	

Special notes

Pan fixes to floor using side fixing brackets supplied with pan.
For concealed cistern options please see pages 396 - 417
For more seat options please reference pages 354-385

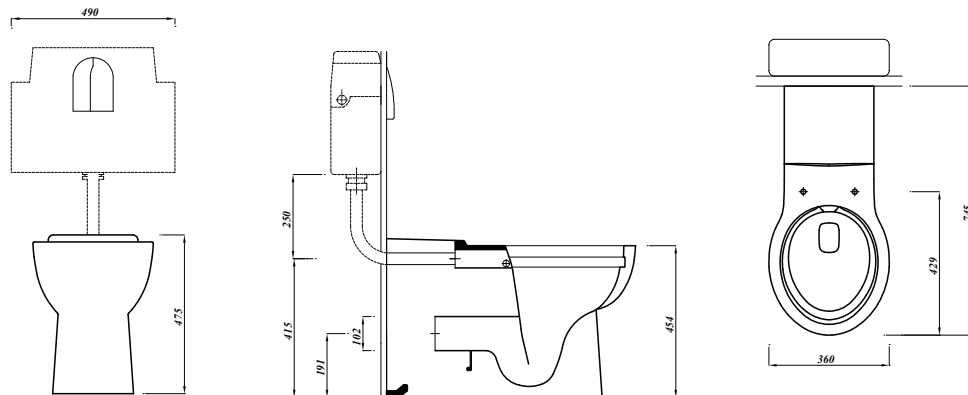
All dimensions are approximate and subject to normal ceramic variation.
Although every effort is made not to change the above product specification, Lecico reserve the right to do so without prior notification if necessary.



CI/SFB	(74)		
--------	------	--	--



Shown: Rimless back to wall 750mm projection WC with white ring seat.
 DOCMBTW75RIM - BTWPHACIDOCE
 Rails shown for illustration



Overview:

Designed to meet the demands of DocM and LANTAC. This WC has a projection of 750mm to provide easy access for wheelchair users and those with limited mobility. The Rimless design also makes this product comply with HBN 00-10 Part C (formerly known as HTM64).

Key product features:

- Horizontal outlet
- CE and HBN 00-10 Part C Compliant
- Raised height
- DocM ready

Product:	Pan	Cistern
Code:	DOCMBTW75RIM	BTWPHACIDOCE
Weight in kg:	35.3	2.9
Colour:	White	
Material:	Vitreous china	Plastic
Standard:	EN997-CL1-4A+CL2	n/a
DOP:	WCBTW2	n/a
BiM download:	✓	n/a
CAD download:	✓	n/a
Flushing volume:	4/2.6ltr Dual flush	
Flushing mechanism:	Lever action - Left or right hand dimple lever	
Inlet:	Bottom inlet LH / RH	
WRAS	All Lecico fittings are WRAS approved	
White ring seat:	STWHTFIXRINGA2 - no lid / STWHTFIXLRINGA2 - with lid	
Blue ring seat:	STDBTFRING2 - no lid / STDBTFLRING2 - with lid	
Grey ring seat:	STDGRTFRING2 - no lid / STDGRTFLRING2 - with lid	
Black ring seat:	STDBLARING - with lid*	
Red ring seat:	STRDRING - no lid / STRDLRING - with lid*	
Anti-lateral no lidded ring seat:	White - STRINGALWH / Blue - STRINGALBL / Grey - STRINGALGR	

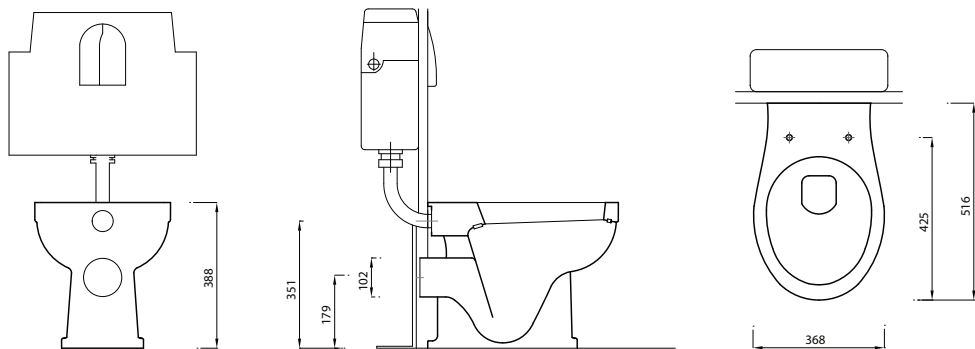
Special notes

Concealed cistern features a delay inlet valve to help aid water saving.
 Seats for this WC are top fix to make installation and cleaning easy
 *Requires additional top fix hinge mechanism STWHTFRING

All dimensions are approximate and subject to normal ceramic variation.
 Although every effort is made not to change the above product specification, Lecico reserve the right to do so without prior notification if necessary.



Shown: Back to wall WC and soft close seat.
NCWHBWPA - STWHSCNH



CI/SFB
(74)

Overview:

With strong lines and exquisite detail, this back to wall WC combines the styling of yester year with the functionality required for modern living.

Key product features:

- Horizontal outlet
- CE Compliant
- Neo classical design

Product:	Pan	Soft close seat
Code:	NCWHBWPA	STWHSCNH
Weight in kg:	22	2
Colour:	White	
Material:	Vitreous china	Plastic
Standard:	EN997-CL1-6A+CL2	n/a
DOP:	WCBTW1	n/a
BiM download:	×	×
CAD download:	✓	✓
Flushing volume:	6/4ltr	
Flushing mechanism:	Dual flush push button	
PB concealed cisterns:	BTWCOMPACT2 / BTWPBCI	
Lever concealed cisterns:	BTWLEVCI / BTWPHACI	
Inlet:	Subject to cistern	
WRAS:	All Lecico fittings are WRAS approved	

Special notes:

Can also be used with furniture.

For concealed cistern options please see pages 396 - 417

For more seat options please reference pages 354-385

All dimensions are approximate and subject to normal ceramic variation.

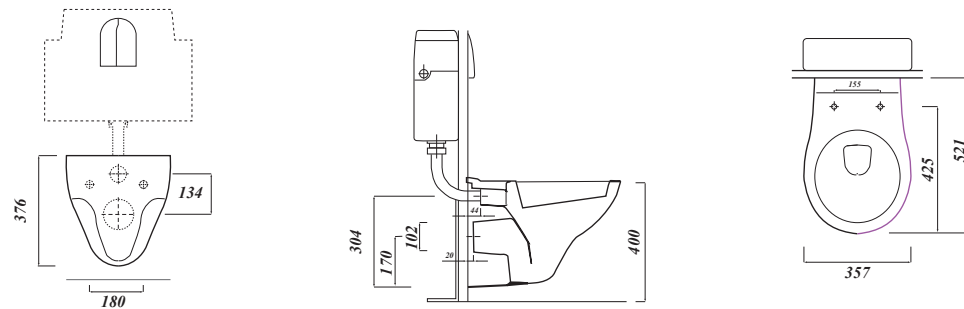
Although every effort is made not to change the above product specification, Lecico reserve the right to do so without prior notification if necessary.



CI/SFB
(74)



Shown: Wall hung WC with soft close seat
ASTWHWHP - STWHSCPER



Overview:

A simple clean lined wall hung pan ideal for any commercial or residential bathroom. Wall mount the WC using a recommended Lecico fixing frame. This wall hung pan is a perfect choice for locations such as motorway services or airports, due to its reduced footprint and ease of cleaning.

Key product features:

- Horizontal outlet
- CE Compliant
- Modern compact design

Product:	Wall hung pan	Soft close seat
Code:	ASTWHWHP	STWHSCPER
Weight in kg:	14.5	2.5
Colour:	White	
Material:	Vitreous china	Plastic
Standard:	EN997-CL1-6A+CL2	n/a
DOP:	WCWH1	n/a
BiM download:	x	n/a
CAD download:	✓	n/a
Flushing volume	6/4ltr	
Tall cistern frame code:	FRAMELSIAM2PT	
Short cistern frame code:	FRAMATPRO790	
Floor mounted brackets::	BRACKWHKIT*	
WRAS:	All Lecico flushing mechanisms are WRAS approved	
Boxed pick up pack:	AP-ASWALLHCOMB - Wall hung pan, SC seat and tall frame	

Special notes:

We advise that a fixing frame is the preferred mounting method, however it is possible to use fixing brackets and a concealed cistern.

*Using fixing brackets will also require the use of a concealed cistern such as BTWCOMPACT2 (push button) or BTWLEVCI (lever operated)

For concealed cistern options please see pages 396 - 417

For more seat options please reference pages 354-385

All dimensions are approximate and subject to normal ceramic variation.

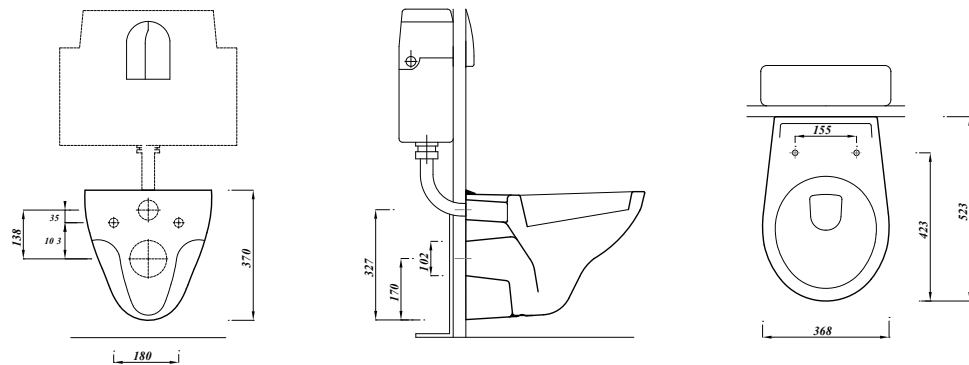
Although every effort is made not to change the above product specification, Lecico reserve the right to do so without prior notification if necessary.



CI/SFB
(74)



Shown: Wall hung WC with soft close seat
GEOWHWHP - STWHSCUNP



Overview:

Representing the perfect fusion of style and uncompromising functionality this wall hung pan is at home in commercial or domestic settings. Its water saving 4/2.6ltr dual flush capability make this the choice for those looking to save water - especially in high traffic installations.

Key product features:

- Horizontal outlet
- CE Compliant
- Modern compact design
- Water saving

Product:	Pan	Soft close seat
Code:	GEOWHWHP	STWHSCUNP
Weight in kg:	16	1.3
Colour:	White	
Material:	Vitreous china	Plastic
Standard:	EN997-CL1-6/4A+CL2	n/a
DOP:	WCWH1/2	n/a
BiM download:	×	n/a
CAD download:	✓	n/a
Flushing volume	6/4ltr standard / Adjustable down to 4/2.6ltr	
Front access cistern frame:	FRAMELSIAM2PT	
Top access cistern frame:	FRAMATPRO790	
Floor mounted brackets::	BRACKWHKIT*	
WRAS:	All Lecico flushing mechanisms are WRAS approved	

Special notes:

*Using fixing brackets will also require the use of a concealed cistern such as BTWCOMPACT2 (push button) or BTWLEVCI (lever operated)
For concealed cistern options please see pages 396 - 417
For more seat options please reference pages 354-385

All dimensions are approximate and subject to normal ceramic variation.
Although every effort is made not to change the above product specification, Lecico reserve the right to do so without prior notification if necessary.



CI/SFB	(74)		
--------	------	--	--



Overview:

Clean simple lines not only look strikingly modern, they're just so much easier to keep clean. No nooks and crannies to hide the dirt which is a great benefit. This square wall hung pan would fit perfectly into a home or into a hotel.

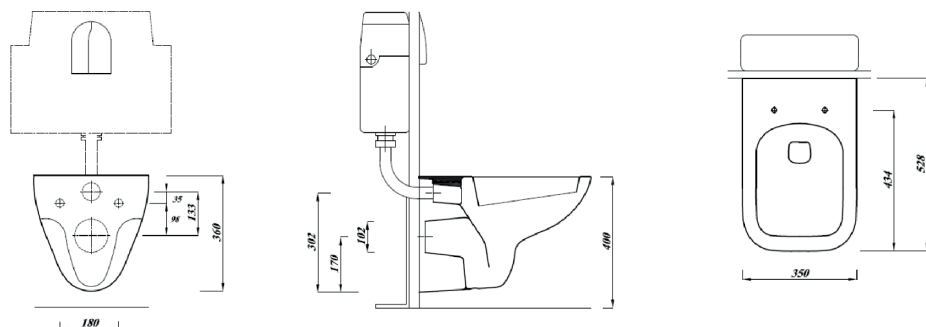
Key product features:

- Horizontal outlet
- CE Compliant
- Modern square shape
- Water saving

Product:	Pan	Soft close seat
Code:	SENSQWLHGPAN	STSENSQSC
Weight in kg:	15.6	2
Colour:	White	White
Material:	Vitreous china	Plastic
Standard:	EN997-CL1-6/4A+CL2	n/a
DOP:	WCWH1/2	n/a
BiM download:	✓	n/a
CAD download:	✓	n/a
Flushing volume:	6/4ltr and 4/2.6ltr	
Tall cistern frame code:	FRAMELSIAM2PT	
Short cistern frame code:	FRAMATPRO790	
Floor mounted brackets:::	BRACKWHKIT*	
WRAS:	All Lecico flushing mechanisms are WRAS approved	

Shown: wall mounted vanity basin unit with mono mixer tap, wall hung WC and soft close seat.

CAWMUSL1GW - SLBASIN - TPPRAMONO - SENSQWLHGPAN - STSENSQSC
Flush plate shown for illustration



Special notes:

We advise that a fixing frame is the preferred mounting method, however it is possible to use fixing brackets and a concealed cistern.

*Using fixing brackets will also require the use of a concealed cistern such as BTWCOMPACT2 (push button) or BTWLEVCI (lever operated)

For concealed cistern options please see pages 396 - 417

For more seat options please reference pages 354-385

All dimensions are approximate and subject to normal ceramic variation.

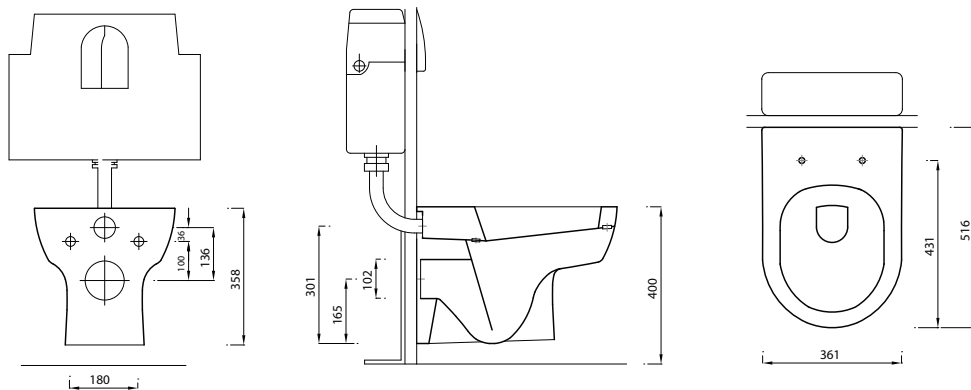
Although every effort is made not to change the above product specification, Lecico reserve the right to do so without prior notification if necessary.



CI/SFB
(74)



Shown: Wall hung WC with soft close seat.
MDWHWHP - STWHSCDEAN



Overview:

Featuring a solid geometric led design but without harsh angles, here our designer has softened the edges to give a more gentle and flowing line that's echoed through the WC. By wall mounting a WC you can achieve a modern and spacious finish that will look stylish for years to come.

Key product features:

- Horizontal outlet
- CE Compliant
- Modern wall hung design
- Water saving

Product:	Pan	Soft close seat
Code:	MDWHWHP	STWHSCDEAN
Weight in kg:	18.8	1.9
Colour:	White	White
Material:	Vitreous china	Plastic
Standard:	EN997-CL1-6A+CL2	n/a
DOP:	WCWH1	n/a
BiM download:	✓	n/a
CAD download:	✓	n/a
Flushing volume:	6/4ltr standard	
Tall cistern frame code:	FRAMELSIAM2PT	
Short cistern frame code:	FRAMATPRO790	
Floor mounted brackets:::	BRACKWHKIT*	
WRAS:	All Lecico flushing mechanisms are WRAS approved	

Special notes:

We advise that a fixing frame is the preferred mounting method, however it is possible to use fixing brackets and a concealed cistern.*Using fixing brackets will also require the use of a concealed cistern such as BTWCOMPACT2 (push button) or BTWLEVCI (lever operated).

For concealed cistern options please see pages 396 - 417

For more seat options please reference pages 354-385

All dimensions are approximate and subject to normal ceramic variation.

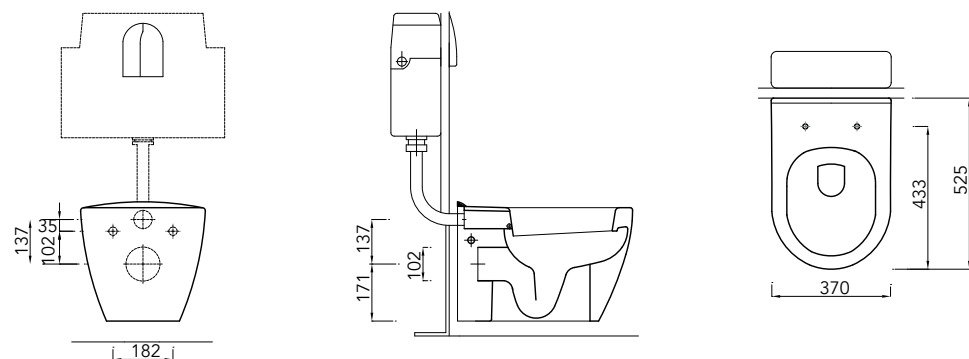
Although every effort is made not to change the above product specification, Lecico reserve the right to do so without prior notification if necessary.



CI/SFB
(74)



Shown: Wall hung WC with soft close seat.
AVNWHWHP - STWHSC2MD



Overview:

Contemporary, stylish and bold structured. The striking appearance of this wall hung WC is designed to complement a wide range of modern bathroom décors.

Key product features:

- Horizontal outlet
- CE Compliant
- Smooth design

Product:	Pan	Soft close seat
Code:	AVNWHWHP	STWHSC2MD
Weight in kg:	23.5	2.5
Colour:	White	
Material:	Vitreous china	Plastic
Standard:	EN997-CL1-6A+CL2	
DOP:	WCWH1	
BiM download:	x	n/a
CAD download:	✓	n/a
Flushing volume:	6/4ltr standard	
Tall cistern frame code:	FRAMELSIAM2PT	
Short cistern frame code:	FRAMATPRO790	
Floor mounted brackets:::	BRACKWHKIT*	
WRAS:	All Lecico flushing mechanisms are WRAS approved	
Options:	Standard seat - STWHSMO	

Special notes:

We advise that a fixing frame is the preferred mounting method, however it is possible to use fixing brackets and a concealed cistern.

*Using fixing brackets will also require the use of a concealed cistern such as BTWCOMPACT2 (push button) or BTWLEVCI (lever operated).

For concealed cistern options please see pages 396 - 417

For more seat options please reference pages 354-385

All dimensions are approximate and subject to normal ceramic variation.

Although every effort is made not to change the above product specification, Lecico reserve the right to do so without prior notification if necessary.



CI/SFB
(74)

Overview:

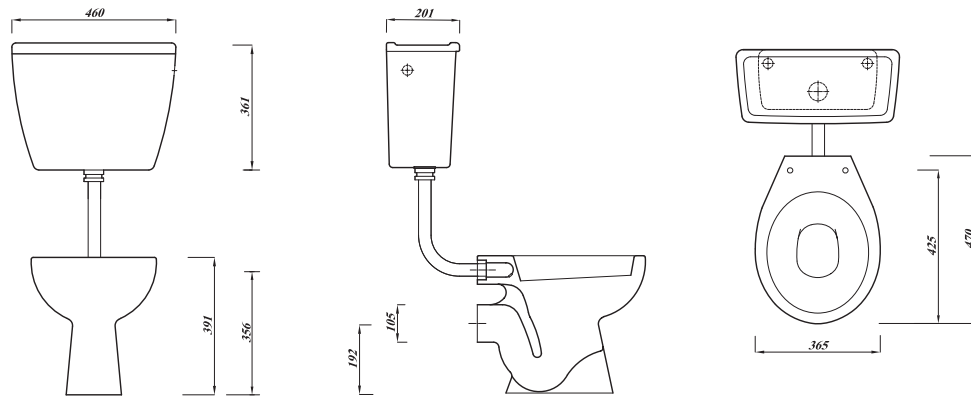
A traditional style low level pan, perfect for commercial installations and replacements.

Key product features:

- Horizontal outlet
- CE Compliant
- Side inlet internal overflow

Product:	Pan	Cistern	Soft close seat
Code:	ASWHLLPA	ASWHLLBCI	STWHSCUNP
Weight in kg:	14	14.1	1.3
Colour:	White		
Material:	Vitreous china		Plastic
Standard:	EN997-CL1-6A+CL2		n/a
DOP:	WCBTW1		n/a
BiM download:	✓	✓	n/a
CAD download:	✓	✓	n/a
Flushing volume:	6/4ltr		
Flushing mechanism:	Dual flush lever		
Inlet:	RH Side inlet		
WRAS:	All Lecico flushing mechanisms are WRAS approved		
Options:	Standard seat S/S hinges - STWHSSUNP		

Shown: Low level WC with dual flush lever cistern and soft close seat
ASWHLLPA - ASWHLLBCI - STWHSCUNP



Special notes

Pan fixes directly to the floor with four fixing holes for added stability - Screws not supplied.

Cistern can be fixed to a wall.

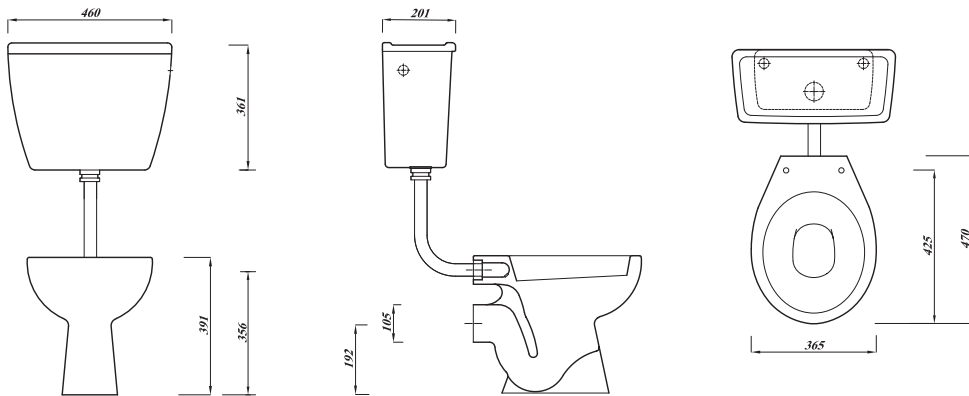
For more seat options please reference pages 354-385

All dimensions are approximate and subject to normal ceramic variation.

Although every effort is made not to change the above product specification, Lecico reserve the right to do so without prior notification if necessary.



Shown: Low level WC with dual flush push button cistern and soft close seat
ASWHLLPA - ASWHLLPBCI - STWHSCUNP



CI/SFB
(74)

Overview:

A traditional style low level pan, perfect for commercial installations and replacements.

Key product features:

- Horizontal outlet
- CE Compliant
- Bottom inlet internal overflow

Product:	Pan	Cistern	Soft close seat
Code:	ASWHLLPA	ASWHLLPBCI	STWHSCUNP
Weight in kg:	14	15	1.3
Colour:	White		
Material:	Vitreous china		Plastic
Standard:	EN997-CL1-6A+CL2		n/a
DOP:	WCBTW1		n/a
BiM download:	✓	✓	n/a
CAD download:	✓	✓	n/a
Flushing volume	6/4ltr		
Flushing mechanism	Dual flush push button		
Inlet	LH or RH bottom inlet		
WRAS	All Lecico flushing mechanisms are WRAS approved		
Options:	Standard seat S/S hinges - STWHSSUNP		

Special notes

Pan fixes directly to the floor with four fixing holes for added stability - Screws not supplied.

Cistern can be fixed to a wall.

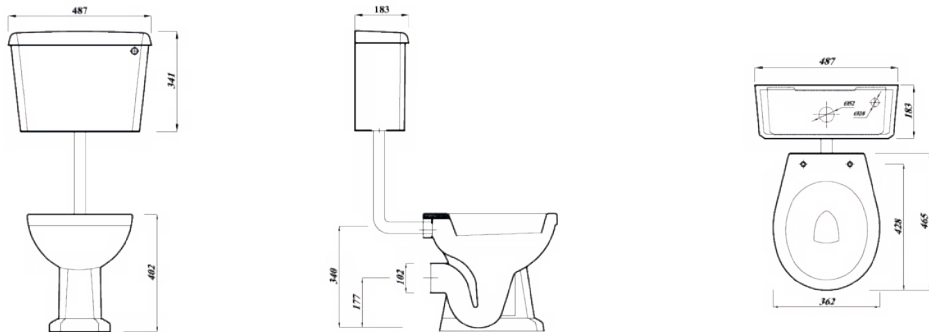
For more seat options please reference pages 354-385

All dimensions are approximate and subject to normal ceramic variation.

Although every effort is made not to change the above product specification, Lecico reserve the right to do so without prior notification if necessary.



Shown: Low level WC with soft close seat.
ROXLLPAN - ROXLLCI - CPKCHLLNC - STWHSCNH



Overview:

This low level WC epitomises classic English Victorian design with the benefits of modern manufacturing techniques.

Key product features:

- Horizontal outlet
- CE Compliant
- Traditional design

Product:	Pan	Cistern	Soft close seat
Code:	ROXLLPAN	ROXLLCI	STWHSCNH
Weight in kg:	12.8	14	2
Colour:	White		
Material:	Vitreous china		Plastic
Standard:	EN997-CL1-6A+CL2		n/a
DOP:	WCC1		n/a
BiM download:	x	x	x
CAD download:	✓	✓	n/a
Flushing volume	6/4ltr standard		
Flushing mechanism	Dual flush lever		
Inlet	Bottom inlet RH		
WRAS	all Lecico fittings are WRAS approved		
Extras:	CPKCHLLNC - Chrome flush pipe sold separately		

Special notes

Pan fixes directly to floor - Screws not supplied.

Cistern can be fixed to a wall.

Cistern supplied with mechanism and white plastic flush pipe as standard.

For more seat options please reference pages 354-385

All dimensions are approximate and subject to normal ceramic variation.

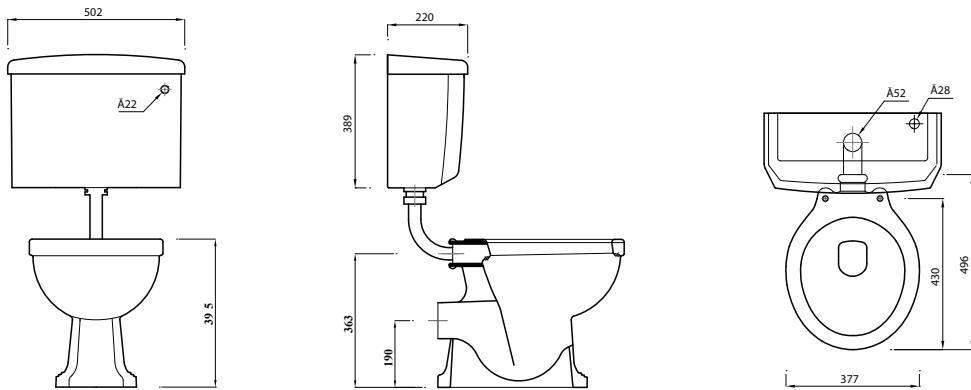
Although every effort is made not to change the above product specification, Lecico reserve the right to do so without prior notification if necessary.



CI/SFB
(74)



Shown: Low level WC with soft close seat.
NCWHLLPA - NCWHLLCI - CPKLLNC - STWHSCNH



Overview:

A classically designed traditional Victorian style lever operated WC. This low level WC's retro styling is the perfect fusion of traditional tastes and modern water saving technology.

Key product features:

- Horizontal outlet
- CE Compliant
- Traditional design

Product:	Pan	Cistern	Soft close seat
Code:	NCWHLLPA	NCWHLLCI	STWHSCNH
Weight in kg:	16.1	16.3	2
Colour:	White		
Material:	Vitreous china		Plastic
Standard:	EN997-CL1-6A+CL2		n/a
DOP:	WCBTW1		n/a
BiM download:	x	x	n/a
CAD download:	✓	✓	n/a
Flushing volume:	6/4ltr standard		
Flushing mechanism:	Dual flush lever (CPKLLNC Sold separately)		
Inlet:	Bottom inlet RH		
WRAS:	All Lecico flushing mechanisms are WRAS approved		

Special notes

Pan fixes directly to floor - Screws not supplied.

Cistern fittings sold separately

Cistern can be fixed to a wall.

For more seat options please reference pages 354-385

All dimensions are approximate and subject to normal ceramic variation.

Although every effort is made not to change the above product specification, Lecico reserve the right to do so without prior notification if necessary.



CI/SFB	(74)		
--------	------	--	--



Overview:

A classically designed traditional Victorian style high level WC. Add a touch of elegance with chrome touches and pull chain flush.

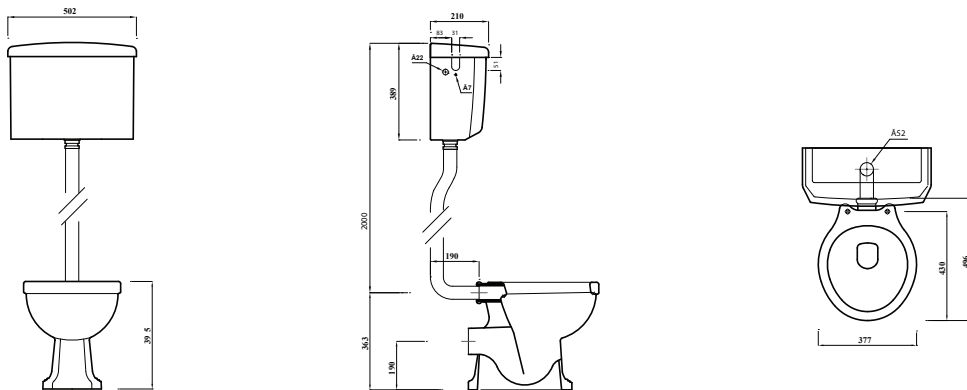
Key product features:

- Horizontal outlet
- CE Compliant
- Traditional design
- Water saving

Product:	Pan	Cistern	Soft close seat
Code:	NCWHLLPA	NCWHHLCI	STWHSC2NC
Weight in kg:	16.1	16.3	2
Colour:	White		
Material:	Vitreous china		Plastic
Standard:	EN997-CL1-6A+CL2		n/a
DOP:	WCBTW1		n/a
BiM download:	x	x	n/a
CAD download:	✓	✓	n/a
Flushing volume	6/4ltr standard		
Flushing mechanism	Dual flush lever (CPKHLNC sold separately)		
Inlet:	RH Side inlet		
WRAS:	All Lecico flushing mechanisms are WRAS approved		
Extras:	Brackets and chrome flush pipe (CPKCHLNC sold separately)		

Shown: High level WC with soft close seat, 62cm basin on a pedestal with basin mixer taps.

NCWHLLPA - NCWHHLCI - CPKHLNC - CPKCHLNC - STWHSC2NC - NCWH63BA2 - NCWHPE - TPBUXBASIN



Special notes

Cistern fittings, and pipework sold separately

Cistern is right hand flush only

For more seat options please reference pages 354-385

All dimensions are approximate and subject to normal ceramic variation.

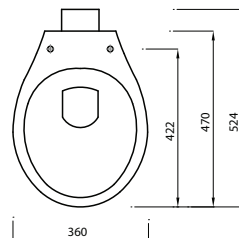
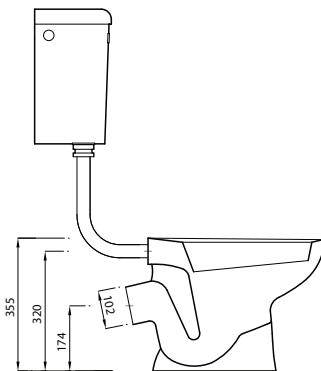
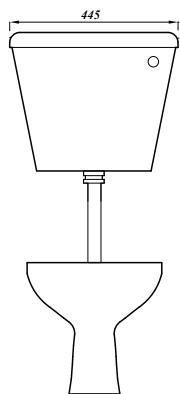
Although every effort is made not to change the above product specification, Lecico reserve the right to do so without prior notification if necessary.



CI/SFB
(74)



Shown: Low level WC with dual flush lever cistern and ring seat
SCWH35PA- ASWHLLBCI - STWHRING



Overview:

Designed for school and early years settings, this 350mm height toilet is designed for younger users. Pairs perfectly with the heavy duty ring seat, for high traffic environments.

Key product features:

- Classic design
- Dual flush lever
- CE Compliant

Product:	Pan	Cistern	Ring seat
Code:	SCWH35PA	ASWHLLBCI	STWHRING
Weight in kg:	11.8	14.7	1.9
Colour:	White		
Material:	Vitreous china		Plastic
Standard:	EN997-CL1-6A+CL2		n/a
DOP:	WCBTW1		n/a
BiM download:	✓	✓	n/a
CAD download:	✓	✓	n/a
Flushing volume	6/4ltr		
Flushing mechanism	Dual flush lever		
Inlet	Side inlet RH		
WRAS	All Lecico flushing mechanisms are WRAS approved		
White ring seat:	STWHRING - no lid / STWHLRING - with lid		
Blue ring seat:	STDBRING - no lid / STDBLRING - with lid		
Grey ring seat:	STGRRING - no lid / STGRLRING - with lid		
Black ring seat:	STDBLARING - with lid		
Red ring seat:	STRDRING - no lid / STRDLRING - with lid		

Special notes

Cistern contains flush-pipe.

Pan fixes directly to floor - screws not supplied.

For more seat options please reference pages 354-385

All dimensions are approximate and subject to normal ceramic variation.

Although every effort is made not to change the above product specification, Lecico reserve the right to do so without prior notification if necessary.



Overview:

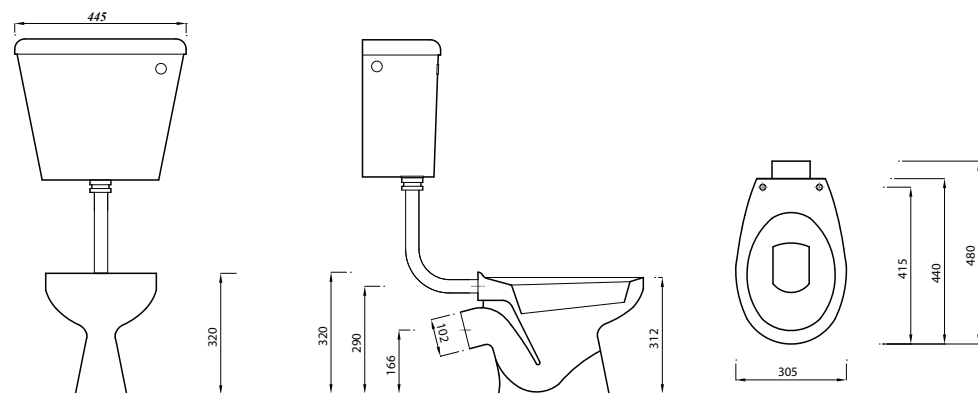
Designed for school and early years settings, this 300mm height toilet is designed for younger users. Pairs perfectly with the heavy duty ring seat, for high traffic environments.

Key product features:

- Classic design
- Dual flush lever
- CE Compliant

Product:	Pan	Cistern	Crescent seat
Code:	SCWH30PA	ASWHELLBCI	STWHSRING
Weight in kg:	8.3	14.7	1.9
Colour:	White		
Material:	Vitreous china		Plastic
Standard:	EN997-CL1-6A+CL2		n/a
DOP:	WCBTW1		n/a
BiM download:	✓	✓	n/a
CAD download:	✓	✓	n/a
Flushing volume	6/4ltr		
Flushing mechanism	Dual flush lever		
Inlet	Side inlet RH		
WRAS	All Lecico flushing mechanisms are WRAS approved		
White seat:	Crescent with no lid - STWHSRING		
Black seat:	Crescent with no lid - STBLSRING		

Shown: Low level WC with dual flush lever cistern and ring seat
SCWH30PA- ASWHELLBCI - STWHSRING



Special notes

Cistern contains flush-pipe.
Pan fixes directly to floor - Screws not included.
For more seat options please reference pages 354-385

All dimensions are approximate and subject to normal ceramic variation.
Although every effort is made not to change the above product specification, Lecico reserve the right to do so without prior notification if necessary.

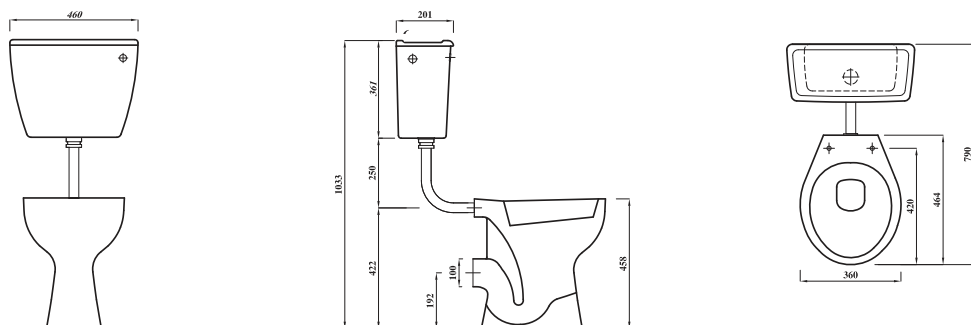


CI/SFB	(74)		
--------	------	--	--



Shown: Comfort height low level WC with ring seat.

DOCMLLPAN - ASWHDLLBCI - STWHRING
Rails shown for illustration



Overview:

This comfort height WC is designed to be fully compliant with DocM. Its raised height makes transferring to and from a wheelchair easier. When used in conjunction with other dedicated DocM products from the Lecico range and following the official Lantac room layout, this combination ensures statutory compliance.

Key product features:

- Horizontal outlet
- CE Compliant
- Easy operate single flush mechanism

Product:	Pan	Cistern	Ring seat
Code:	DOCMLLPAN	ASWHDLLBCI	STWHRING
Weight in kg:	18.4	13.8	2
Colour:	White		
Material:	Vitreous china		Plastic
Standard:	EN997-CL1-6A+CL2		n/a
DOP:	WCBTW1		n/a
BiM download:	✓	✓	n/a
CAD download:	✓	✓	n/a
Flushing volume:	6ltr Single flush		
Flushing mechanism:	Lever action - Left or right hand		
Cistern Pack:	Supplied but not pre installed		
Inlet:	Side inlet LH / RH		
WRAS:	All Lecico fittings are WRAS approved		
White ring seat:	STWHRING - no lid / STWHLRING - with lid		
Blue ring seat:	STDBRING - no lid / STDBLRING - with lid		
Grey ring seat:	STGRRING - no lid / STGRLRING - with lid		
Black ring seat:	STDBLRING - with lid		
Red ring seat:	STRDRING - no lid / STRDLRING - with lid		
Anti-lateral no lidded ring seat:	White - STRINGALWH / Blue - STRINGALBL / Grey - STRINGALGR		

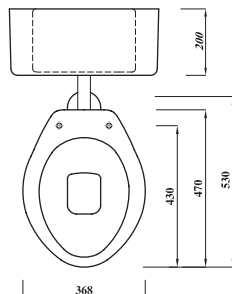
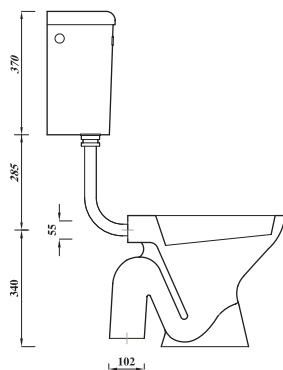
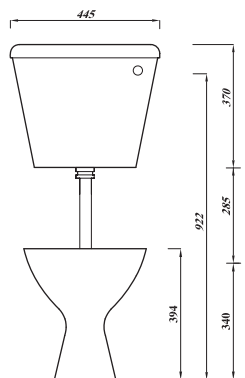
Special notes

Pan fixes directly to floor using four fixing holes - Screws not included.
Lidded seats are available but are not DocM compliant (for use in non DocM settings only).

All dimensions are approximate and subject to normal ceramic variation.
Although every effort is made not to change the above product specification, Lecico reserve the right to do so without prior notification if necessary.



Shown: Low level WC with standard seat
UNWHSLLPA



Overview:

This classically designed S trap pan is perfect for commercial installations and replacements. This low level WC can be paired with either a push button or lever operated cistern for added flexibility.

Key product features:

- Vertical outlet - S trap design
- Four floor fixing holes
- CE Compliant

Product:	Pan	PB cistern	Lever cistern	Soft close seat
Code:	UNWHSLLPA	ASWHLLPBCI	ASWHLLBCI	STWHSCUNP
Weight in kg:	11.9	14.7	14.7	1.3
Colour:	White			
Material:	Vitreous china			Plastic
Standard:	EN997-CL1-6A+CL2			n/a
DOP:	WCBTW1			n/a
BiM download:	x	x	x	n/a
CAD download:	✓	✓	✓	n/a
Flushing volume:	6/4ltr			
Flushing mechanism:	Dual flush push button or lever			
Inlet:		Bottom inlet	Side inlet	
WRAS:	All Lecico flushing mechanisms are WRAS approved			
Options:	Standard seat S/S hinges - STWHSSUNP Ring seat with no lid- STWHRING			

Special notes

Pan fixes directly to floor using four fixing holes - Screws not included.

Cistern can be fixed to a wall.

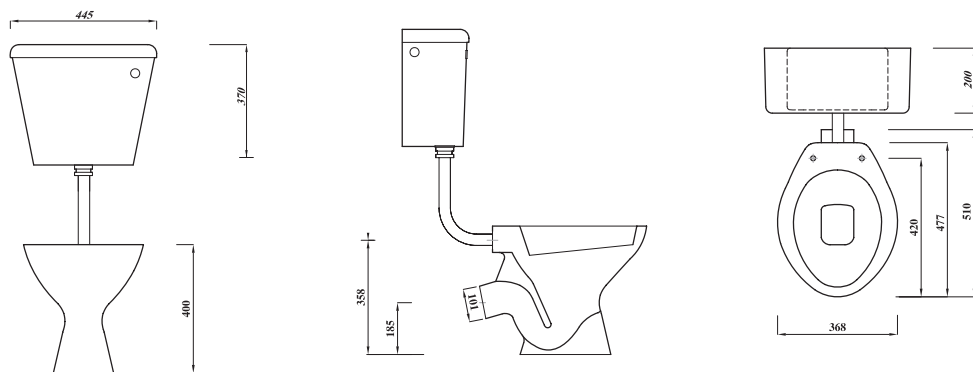
For more seat options please reference pages 354-385

All dimensions are approximate and subject to normal ceramic variation.

Although every effort is made not to change the above product specification, Lecico reserve the right to do so without prior notification if necessary.



Shown: Low level WC with standard seat
UNWHPLLPA



Overview:

This pan features an elegant design, and is perfect for commercial installations. This low level WC can be paired with either a push button or lever operated cistern for added flexibility.

Key product features:

- Angled outlet
- CE Compliant
- Elegant design

Product:	Pan	PB cistern	Lever cistern	Soft close seat
Code:	UNWHPLLPA	ASWHLLPBCI	ASWHLLBCI	STWHSCUNP
Weight in kg:	15.8	14.7	14.7	1.3
Colour:	White			
Material:	Vitreous china			Plastic
Standard:	EN997-CL1-6A+CL2			n/a
DOP:	WCBTW1			n/a
BiM download:	x	x	x	n/a
CAD download:	✓	✓	✓	n/a
Flushing volume:	6/4ltr			
Flushing mechanism:	Dual flush push button or lever			
Inlet:		Bottom inlet	Side inlet	
WRAS:	All Lecico flushing mechanisms are WRAS approved			
Options:	Standard seat S/S hinges - STWHSSUNP Ring seat with no lid - STWHRING			

Special notes

Pan fixes directly to floor using four fixing holes - Screws not included.

Cistern can be fixed to a wall.

For more seat options please reference pages 354-385

All dimensions are approximate and subject to normal ceramic variation.

Although every effort is made not to change the above product specification, Lecico reserve the right to do so without prior notification if necessary.



Overview:

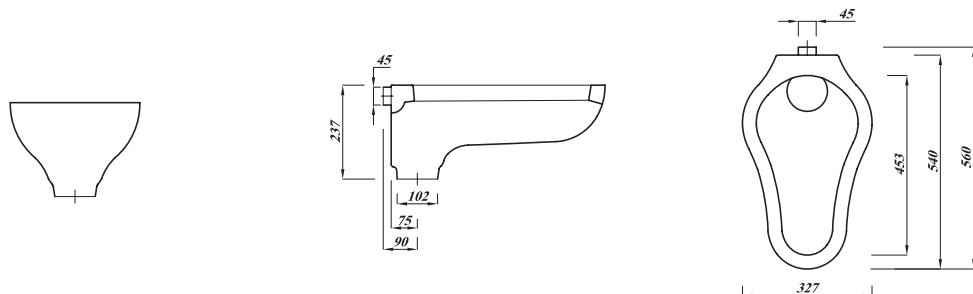
Designed to be recessed into the floor, this squatting pan should be installed with an appropriate concealed cistern.

Key product features:

- Horizontal inlet
- Vertical waste
- CE compliant

Product:	Squatting pan
Code:	ASWHSQPAN
Weight in kg:	8
Colour:	White
Material:	Vitreous china
Standard:	EN997
DOP:	
BiM download:	x
CAD download:	x
Flushing volume	4/2.6ltr dual flush
PB concealed cistern:	BTWCOMPACT2 / BTWPBCI
Lever concealed cistern:	BTWLEVCI / BTWPHACI
WRAS:	All Lecico flushing mechanisms are WRAS approved

Shown: Floor fitted squatting pan
ASWHSQPAN



All dimensions are approximate and subject to normal ceramic variation. Although every effort is made not to change the above product specification, Lecico reserve the right to do so without prior notification if necessary.



Overview:

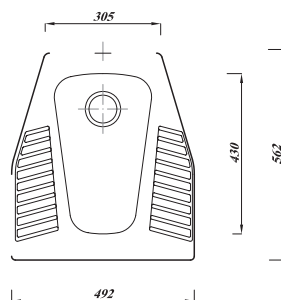
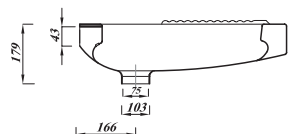
Designed to be recessed into the floor, this squatting pan should be installed with an appropriate concealed cistern. This shape of squatting pan makes it easier to tile to the edge.

Key product features:

- Horizontal inlet
- Vertical outlet
- Foot grooves

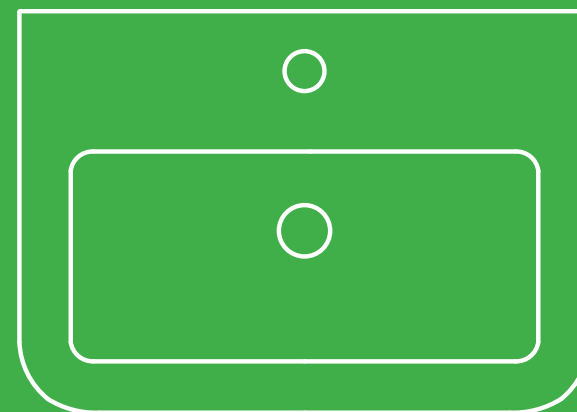
Product:	Squatting pan
Code:	ASMONSQPA
Weight in kg:	11.7
Colour:	White
Material:	Vitreous china
Standard:	EN997
DOP:	
BiM download:	x
CAD download:	x
Flushing volume:	4/2.6ltr dual flush
PB concealed cistern:	BTWCOMPACT2 / BTWPBCI
Lever concealed cistern:	BTWLEVCI / BTWPHACI
WRAS:	All Lecico flushing mechanisms are WRAS approved

Shown: Squatting pan
ASMONSQPA



All dimensions are approximate and subject to normal ceramic variation. Although every effort is made not to change the above product specification, Lecico reserve the right to do so without prior notification if necessary.

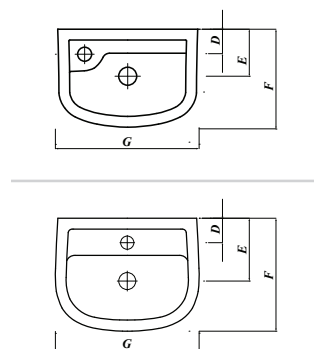
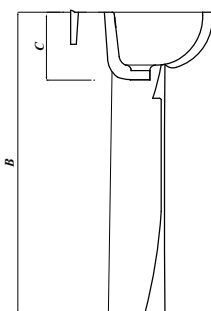
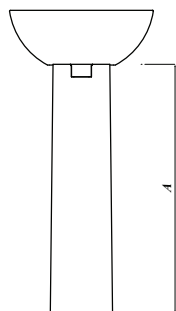
Basins



Standard basins	156-179
Semi recessed basins	180-193
Vanity/under counter	194-199
Free standing	200-209
Commercial basins	210-221
Speciality	222-235



Shown: 35cm left handed basin with bottle trap, mono mixer tap and close coupled WC.
 GEOWHL35BA1 - BOTRAPCH - TPPRAMONO - SPSCOMB



Overview:

A compact cloakroom basin that represents the perfect fusion of style and uncompromising functionality. Available in centre or left hand tap hole options.

Key product features:

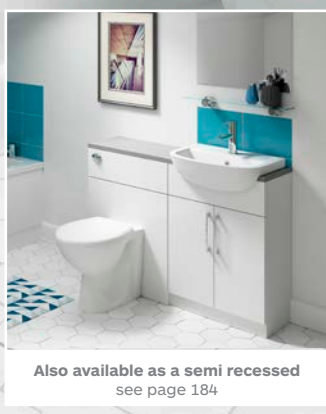
- Offset internal overflow
- Chrome effect overflow ring
- CE Compliant
- Modern compact design

Product:	35cm Left hand basin	35cm Centre basin
One tap hole code:	GEOWHL35BA1	GEOWH35BA1
Weight in kg:	6.6	7.4
Colour:	White	
Material:	Vitreous china	
Standard:	EN14688-CL20	
DOP:	WBVC3	
BiM download:	x	x
CAD download:	x	x
Full pedestals:	N/A	GEOWHPED
Semi pedestal:	N/A	
Wall mounted:	Bracket - BRACK / Fixing bolts - FBWB	
Extras:	Bottle trap - BOTRAPCH / Waste - TPOPRNEW	

Product dimensions:

Size	A	B	C	D	E	F	G
35 LH	N/A	N/A	175	63	118	247	350
35 CT	660	790	172	60	159	283	350

All dimensions are approximate and subject to normal ceramic variation. Although every effort is made not to change the above product specification, Lecico reserve the right to do so without prior notification if necessary.



Also available as a semi recessed
see page 184

Shown: 55cm basin with mono mixer tap
GEOBA1SET - TPCEDMONO

Overview:

With a range of sizes the clean lines of these basins represent the perfect fusion of style and uncompromising functionality.

Key product features:

- Internal overflow
- Chrome effect overflow ring
- CE Compliant
- Modern design

Product:	45cm Basin	55cm Basin	60cm Basin
One tap hole code:	GEOWH45BA1	GEOWH55BA1	GEOWH60BA1
Two tap hole code:	GEOWH45BA2	GEOWH55BA2	GEOWH60BA2
Weight in kg:	10.8	13.3	14.7
Colour:	White		
Material:	Vitreous china		
Standard:	EN14688-CL15	EN14688-CL10	EN14688-CL10
DOP:	WBVC2	WBVC1	WBVC1
BiM download:	✓	✓	×
CAD download:	✓	✓	×
Full pedestals:	GEOWHPE / ASWHPE / LGWHPE		
Semi pedestal:	MDWHSPE		
Wall mounted:	Bracket - BRACK / Fixing bolts - FBWB		
Extras:	Bottle trap - BOTRAPCH / Waste - TPOPRNEW		
Boxed pick up pack:	55cm basin & ped - GEOBA1SET / GEOBA2SET		

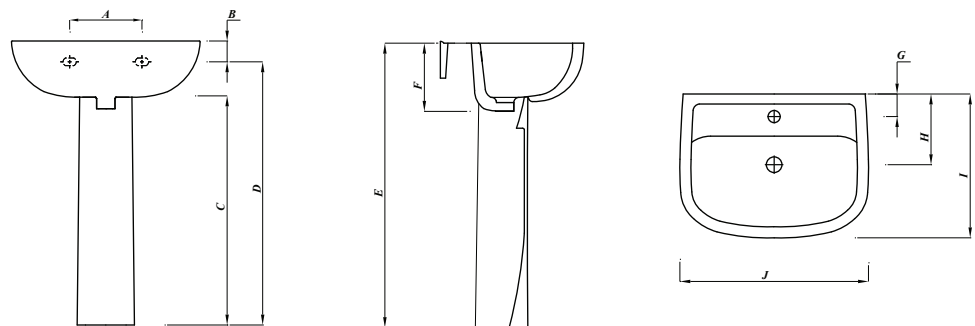
Special notes

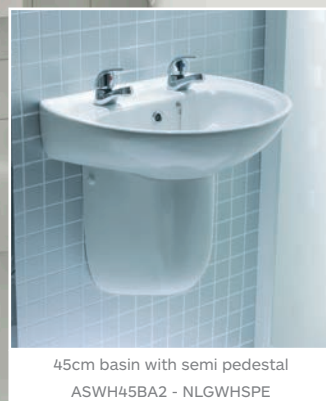
Centre overflow with chrome effect decorative ring

Product dimensions:

Size	A	B	C	D	E	F	G	H	I	J
45cm	205	68	660	742	810	180	62	187	340	455
55cm	270	61	660	739	800	185	63	195	390	550
60cm	270	63	660	738	800	179	62	197	445	610

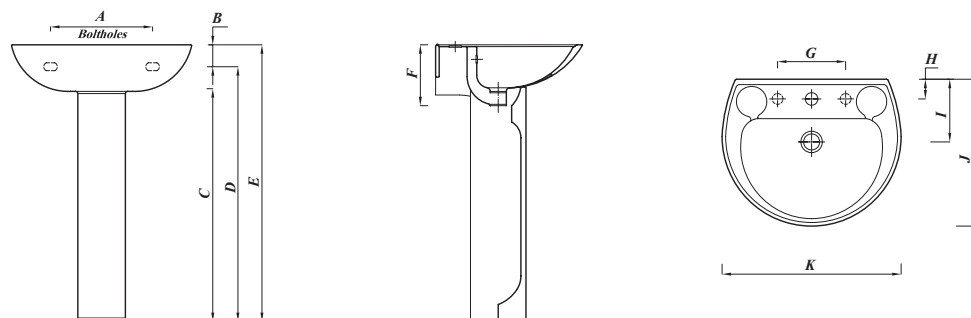
All dimensions are approximate and subject to normal ceramic variation. Although every effort is made not to change the above product specification, Lecico reserve the right to do so without prior notification if necessary.





45cm basin with semi pedestal
ASWH45BA2 - NLGWSPE

Shown: 55cm basin on full height pedestal
ASWHBA1 - ASWHPE



Overview:

A comprehensive range of basins across three sizes. Featuring one and two tap holes variations as well as chain stay hole on two tap hole versions. These basins feature a raised lip and soap recesses.

Key product features:

- Internal overflow
- Chrome effect overflow ring
- CE Compliant
- C shape design

Product:	45cm Basin	50cm Basin	55cm Basin
One tap hole code:	ASWH45BA1	ASWH50BA1	ASWHBA1
Two tap hole code:	ASWH45BA2	ASWH50BA2	ASWHBA2
Weight in kg:	8.9	9.5	12
Colour:	White		
Material:	Vitreous china		
Standard:	EN14688-CL10	EN14688-CL15	EN14688-CL00
DOP:	WBVC1	WBVC2	WBVC5
BiM download:	✓	✓	✓
CAD download:	✓	✓	✓
Full pedestals:	ASWHPE		
Semi pedestal:	NLGWSPE		
Wall mounted:	Brackets - BRACK / BRACK50* / BRACK55* / Bolts - FBWB		
Extras:	Bottle trap - BOTRAPCH / Waste - TPOPRNEW		

Special notes

Use standard BRACK for standard installation

*Centre brackets available

Product dimensions:

Size	A	B	C	D	E	F	G	H	I	J	K
45cm	190	42	661	741	783	158	201	55	172	383	452
50cm	280	52	661	736	788	175	202	62	190	410	500
55cm	285	50	661	770	820	185	202	60	192	463	548

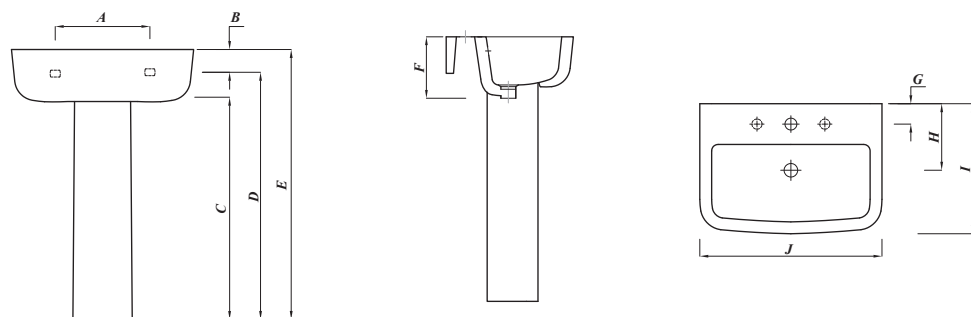
All dimensions are approximate and subject to normal ceramic variation.

Although every effort is made not to change the above product specification, Lecico reserve the right to do so without prior notification if necessary.



Also available as a semi recessed
see page 186

Shown: 54cm basin with semi pedestal and mono mixer tap.
SEN54BA1 - MDWHSPE - TPCEDMONO



Overview:

A clean line “soft square” basin in three different sizes that can be matched to either a modern square WC or a contemporary round WC.

Key product features:

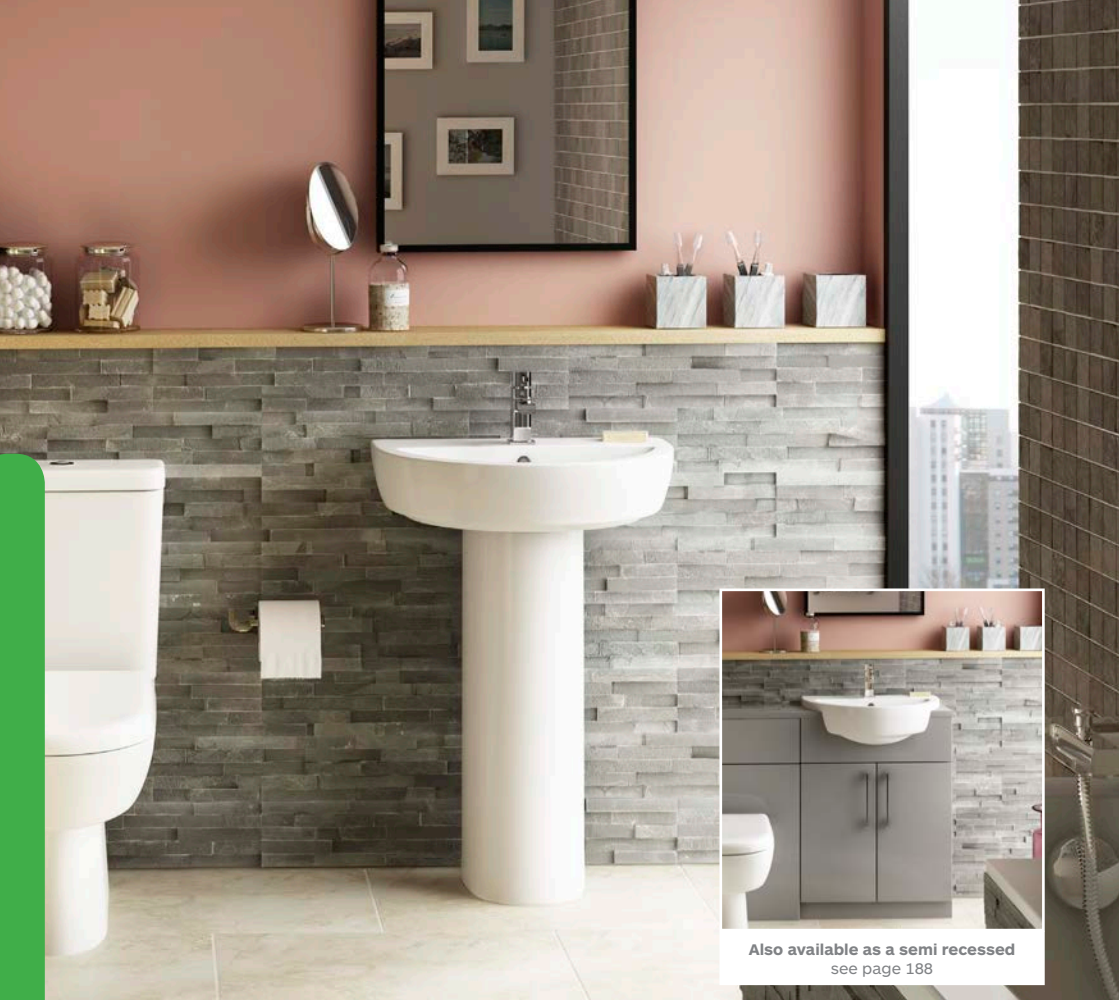
- Internal overflow
- Chrome effect overflow ring
- CE Compliant
- Modern design

Product:	43cm Basin	54cm Basin	60cm Basin
One tap hole code:	SEN43BA1	SEN54BA1	SEN60BA1
Two tap hole code:	SEN43BA2	SEN54BA2	SEN60BA2
Weight in kg:	10.2	13.1	16.4
Colour:	White		
Material:	Vitrous china		
Standard:	EN14688-CL15		
DOP:	WBVC2		
BiM download:	x	x	x
CAD download:	x	x	x
Full pedestals:	SENPED		
Semi pedestal:	MDWHSPE		
Wall mounted:	Bracket - BRACK / Fixing bolts - FBWB		
Extras:	Bottle trap - BOTRAPCH / Waste - TPOPRNEW		

Product dimensions:

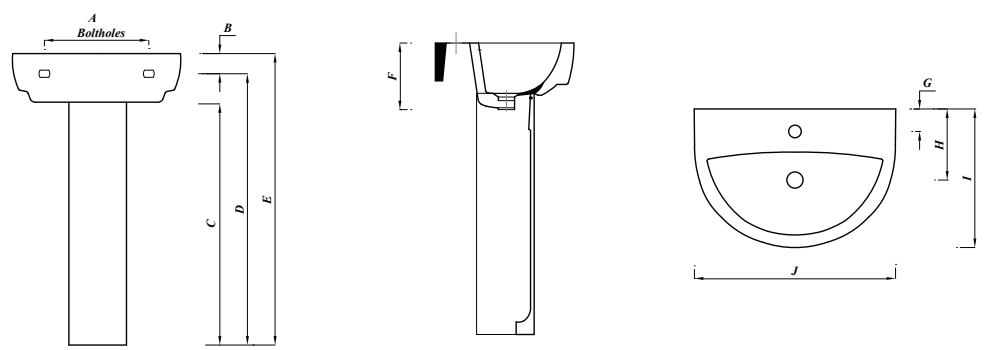
Size	A	B	C	D	E	F	G	H	I	J
43cm	205	71	660	736	807	185	58	187	348	430
54cm	279	67	660	743	810	185	60	196	383	537
60cm	280	62	660	744	8036	185	63	201	441	607

All dimensions are approximate and subject to normal ceramic variation. Although every effort is made not to change the above product specification, Lecico reserve the right to do so without prior notification if necessary.



Also available as a semi recessed
see page 188

Shown: 56cm basin with mono mixer tap & full height pedestal.
MDWHR56BA1 - MDWHPE - TPCEDMONO



Overview:

An extensive range of contemporary round basins, their bold design is perfectly suited to today's modern bathroom.

Key product features:

- Internal overflow
- Chrome effect overflow ring
- CE Compliant
- Bold round D shape design

Product:	45cm Basin	50cm Basin	56cm Basin
One tap hole code:	MDWHR45BA1	MDWHR50BA1	MDWHR56BA1
Weight in kg:	10.2	13.1	16.4
Colour:	White		
Material:	Vitreous china		
Standard:	EN14688-CL00	EN14688-CL10	EN14688-CL15
DOP:	WBVC5	WBVC1	WBVC2
BiM download:	x	x	x
CAD download:	✓	✓	✓
Full pedestals:	MDWHPE		
Semi pedestal:	MDWHCSPE	NLGWHSPE / MDWHSPE	
Wall mounted:	Bracket - BRACK / Fixing bolts - FBWB		
Extras:	Bottle trap - BOTRAPCH / Waste - TPOPRNEW		

Special notes

45cm basin does not feature an overflow so please use an unslotted waste - TPOPUNS

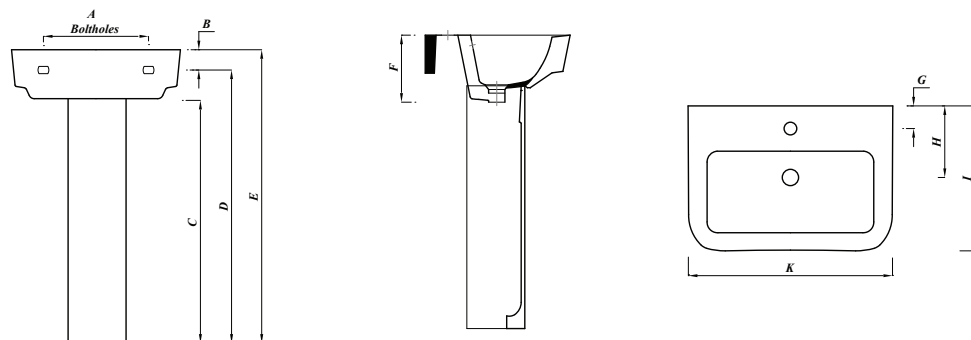
Product dimensions:

Size	A	B	C	D	E	F	G	H	I	J
45cm	181	61	685	768	820	175	53	160	305	450
50cm	185	70	685	762	830	185	63	178	362	505
56cm	284	70	685	750	820	185	62	198	378	560

All dimensions are approximate and subject to normal ceramic variation. Although every effort is made not to change the above product specification, Lecico reserve the right to do so without prior notification if necessary.



Shown: 56cm basin on full high pedestal with mono mixer tap.
MDWHS56BA1 - MDWHPE - TPCEDMONO -



Overview:

A clean line “soft square” basin in three different sizes that can be matched to either the ultra modern square WC or the contemporary round WC – it’s your choice

Key product features:

- Internal overflow
- Chrome effect overflow ring
- CE Compliant
- Modern design

Product:	47cm Basin	50cm Basin	56cm Basin
One tap hole code:	MDWHS46BA1	MDWHS50BA1	MDWHS56BA1
Weight in kg:	10.4	12.4	15.5
Colour:	White		
Material:	Vitreous china		
Standard:	EN14688-CL10		EN14688-CL15
DOP:	WBVC1		WBVC2
BiM download:	x	x	x
CAD download:	✓	✓	✓
Full pedestals:	MDWHPE		
Semi pedestal:	MDWHCSPE	MDWHSPE	
Wall mounted:	Bracket - BRACK / Fixing bolts - FBWB		
Extras:	Bottle trap - BOTRAPCH / Waste - TPOPRNEW		

Special notes

47cm basin does not feature an overflow so please use an unslotted waste - TPOPUNS

Product dimensions:

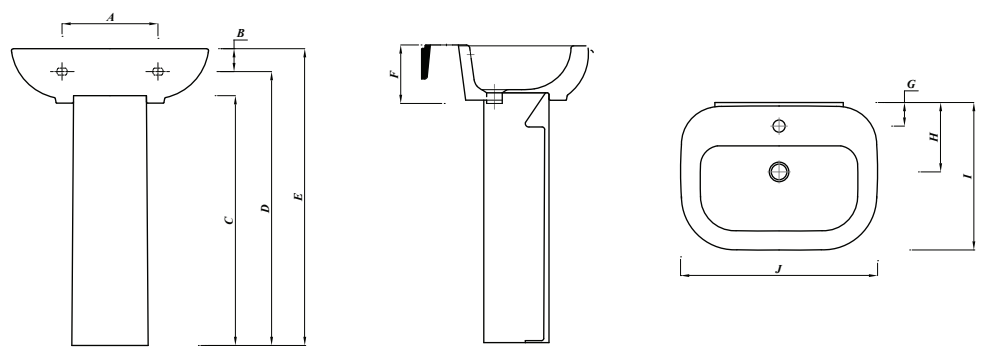
Size	A	B	C	D	E	F	G	H	I	J
47cm	187	51	685	762	820	180	53	158	300	467
50cm	187	67	685	762	826	187	65	187	353	505
56cm	280	60	685	773	833	185	62	195	402	565

All dimensions are approximate and subject to normal ceramic variation. Although every effort is made not to change the above product specification, Lecico reserve the right to do so without prior notification if necessary.



Also available as a semi recessed see page 192

Shown: 56cm basin with mono mixer tap, wall hung WC and wall mounted furniture.
AVNWH56BA1 - TPPERAMONO - CALWMUSL2GR - AVNWHWHPA - STWHSC2MD



Overview:

This top of the range basin collection makes a striking statement in your bathrooms. Featuring three size options as well as a semi recessed option, you are sure to find a basin that is perfect for your house or hotel.

Key product features:

- Internal overflow
- Chrome effect overflow ring
- CE Compliant

Product:	45cm Basin	56cm Basin	65cm Basin
One tap hole code:	AVNWH45BA1	AVNWH56BA1	AVNWH65BA1
Weight in kg:	9.7	13.4	18.8
Colour:	White		
Material:	Fireclay		
Standard:	EN14688-CL10		
DOP:	WBFC1		
BiM download:	x	x	x
CAD download:	✓	✓	✓
Full pedestals:	AVNWHPE		
Semi pedestal:	AVNWH SPE		N/A
Wall mounted:	Bracket - BRACK / Fixing bolts - FBWB		
Extras:	Bottle trap - BOTRAPCH / Waste - TPOPRNEW		

Special notes

Designed for a back to wall setting

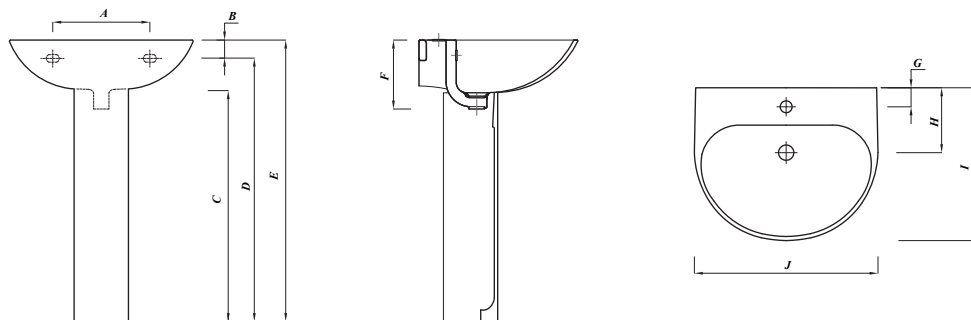
Product dimensions:

Size	A	B	C	D	E	F	G	H	I	J
45cm	188	58	715	781	839	170	55	190	382	458
56cm	230	62	715	778	840	175	68	200	425	568
65cm	275	66	715	779	845	180	73	205	480	655

All dimensions are approximate and subject to normal ceramic variation. Although every effort is made not to change the above product specification, Lecico reserve the right to do so without prior notification if necessary.



Shown: 55cm basin with full pedestal and mono mixer tap.
TLR55BA1 - LGWHPE - TPASHMONO



Overview:

This is in! New for 2017, these thin lipped contemporary basins are made using the latest in fireclay technology, our designers have crafted beautiful basins with smooth lines and sharp minimal profiles. Currently available in 55cm and 60cm options, with 35cm, 45cm and semi recessed basins to follow later this year.

Key product features:

- Internal overflow
- Chrome effect overflow ring
- CE Compliant

Product:	55cm Basin	60cm Basin
One tap hole code:	TLR55BA1	TLR60BA1
Two tap hole code:	TLR55BA2	TLR60BA2
Weight in kg:	13.1	16.4
Colour:	White	
Material:	Fireclay	
Standard:	EN14688-CL15	
DOP:	WBFC2	
BiM download:	x	x
CAD download:	✓	✓
Full pedestals:	LGWHPE	
Semi pedestal:	MDWHSPE	
Wall mounted:	Bracket - BRACK / Fixing bolts - FBWB	
Extras:	Bottle trap - BOTRAPCH / Waste - TPOPRNEW	

Special notes

Smooth lines make this basin easier to clean and leave nowhere for germs and dirt to build up and hide.

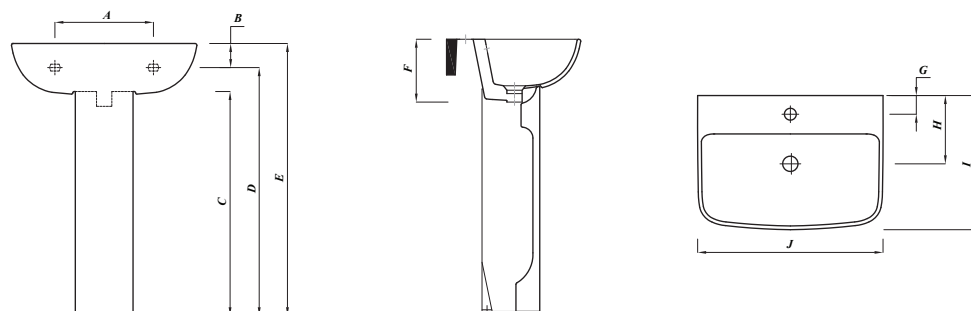
Size	A	B	C	D	E	F	G	H	I	J
55cm	286	53	685	781	834	198	56	191	450	541
60cm	283	56	685	799	855	215	56	189	490	600

All dimensions are approximate and subject to normal ceramic variation. Although every effort is made not to change the above product specification, Lecico reserve the right to do so without prior notification if necessary.



Also available with a full pedestal
 TLSQ60BA1 - SENPED

Shown: 55cm basin with bottle trap and mono mixer tap.
 TLSQ55BA1 - BOTRAPCH - TPCEDMONO



Overview:

Thin is in! New for 2017, these thin lipped square modern designed basins are made using the latest fireclay technology, our designers have hand crafted beautiful basins with smooth lines and sharp minimal profiles. Currently available in 55cm and 60cm options, with 35cm, 45cm and semi recessed basins to follow later this year.

Key product features:

- Internal overflow
- Chrome effect overflow ring
- CE Compliant

Product:	55cm Basin	60cm Basin
One tap hole code:	TLSQ55BA1	TLSQ60BA1
Two tap hole code:	TLSQ55BA2	TLSQ60BA2
Weight in kg:	12.7	17.2
Colour:	White	
Material:	Fireclay	
Standard:	EN14688-CL15	
DOP:	WBFC2	
BiM download:	x	x
CAD download:	✓	✓
Full pedestals:	SENPED	
Semi pedestal:	MDWHSPE	
Wall mounted:	Bracket - BRACK / Fixing bolts - FBWB	
Extras:	Bottle trap - BOTRAPCH / Waste - TPOPRNEW	

Special notes

Smooth lines make this basin easier to clean and leave nowhere for germs and dirt to build up and hide.

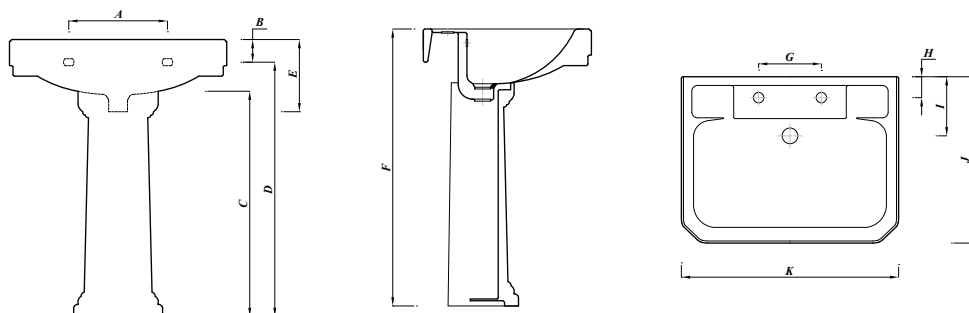
Size	A	B	C	D	E	F	G	H	I	J
55cm	290	71	660	731	802	194	55	201	395	546
60cm	282	61	660	754	815	192	62	189	450	603

All dimensions are approximate and subject to normal ceramic variation. Although every effort is made not to change the above product specification, Lecico reserve the right to do so without prior notification if necessary.



Semi recessed basin
NCWHSR58BA2

Shown: 62cm basin with mono mixer tap and full height pedestal.
NCWH63BA2 - NCWHPE - TPBUXBASIN



Overview:

Classically designed, traditional Victorian style basins. In a range of options to suit a cloakroom or master bathroom.

Key product features:

- Internal overflow
- Chrome effect overflow ring
- CE Compliant
- Traditional design

Product:	47cm Basin	62cm Basin	Semi recessed
One tap hole code:	NCWH47BA1	NCWH63BA1	NCWHSR58BA1
Two tap hole code:	NCWH47BA2	NCWH63BA2	NCWHSR58BA2
Weight in kg:	11	18.8	15.5
Colour:	White		
Material:	Vitreous china		Fireclay
Standard:	EN14688-CL15		EN14688-CL15
DOP:	WBVC2		WBFC2
BiM download:	x	x	x
CAD download:	✓	✓	✓
Full pedestal:	NCWHPE		N/A
Semi pedestal:	N/A		
Wall mounted:	Bracket - BRACK / Fixing bolts - FBWB		N/A
Extras:	Bottle trap - BOTRAPCH / Waste - TPOPRNEW		

Product dimensions:

Size	A	B	C	D	E	F	G	H	I	J	K
47cm	276	63	640	722	194	785	N/A	55	171	365	471
62cm	283	65	640	738	210	803	195	63	177	477	623
SR	N/A	N/A	N/A	N/A	201	N/A	200	68	198	443	581

All dimensions are approximate and subject to normal ceramic variation. Although every effort is made not to change the above product specification, Lecico reserve the right to do so without prior notification if necessary.



Overview:

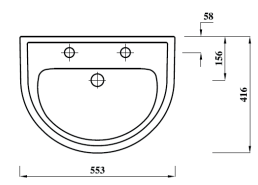
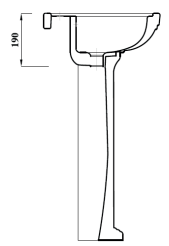
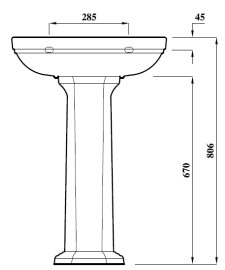
Classically designed, traditional Victorian style basin to suit a cloakroom or master bathroom.

Key product features:

- Internal overflow
- Chrome effect overflow ring
- CE Compliant
- Traditional design

Product:	55cm Basin
Two tap hole code:	NCWHR55BA2
Weight in kg:	11.5
Colour:	White
Material:	Viterous china
Standard:	EN14688-CL10
DOP:	WBVC1
BiM download:	×
CAD download:	×
Full pedestal:	NCWHPE
Semi pedestal:	N/A
Wall mounted:	Bracket - BRACK / Fixing bolts - FBWB
Extras:	Bottle trap - BOTRAPCH / Waste - TPOPRNEW

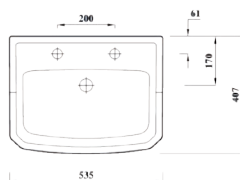
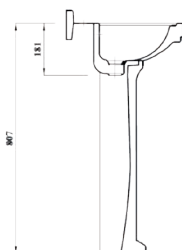
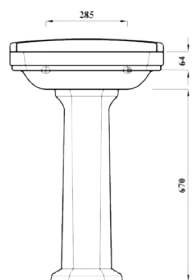
Shown: 55cm basin with full height pedestal.
NCWHR55BA2 - NCWHPE



All dimensions are approximate and subject to normal ceramic variation. Although every effort is made not to change the above product specification, Lecico reserve the right to do so without prior notification if necessary.



Shown: 53cm basins, full height pedestals with mono mixer taps and low level WC.
ROX53BA2 - ROXPED - TPBUXBASIN - ROXLLPA - ROXLLCI - CPKCHLLNC - STWHSC2NH



Overview:

Beautiful traditional styling, including a classic splash-back around the basin – bringing practicality and affordability to the Victorian styled bathroom suite.

Key product features:

- Internal overflow
- Chrome effect overflow ring
- CE Compliant
- Victorian design

Product:	53cm Basin
Two tap hole code:	ROX53BA2
Weight in kg:	14.5
Colour:	White
Material:	Vitreous china
Standard:	EN14688-CL15
DOP:	WBVC2
BiM download:	×
CAD download:	✓
Full pedestal:	ROXPED
Semi pedestal:	N/A
Wall mounted:	Bracket - BRACK / Fixing bolts - FBWB
Extras:	Bottle trap - BOTRAPCH / Waste - TPOPRNEW

Special notes:

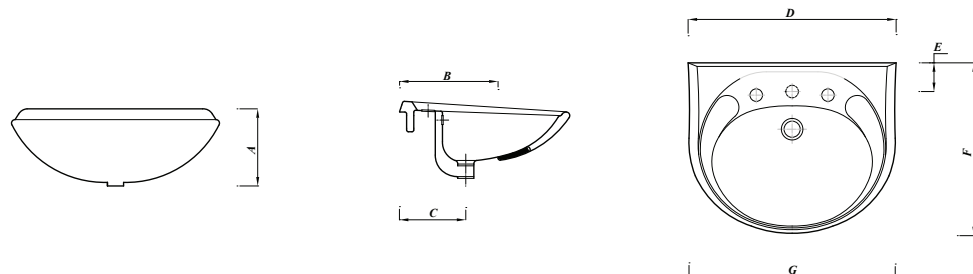
Basin includes internal overflow and features a hole for a chain stay and plug

All dimensions are approximate and subject to normal ceramic variation. Although every effort is made not to change the above product specification, Lecico reserve the right to do so without prior notification if necessary.



56cm Semi recessed basin
ARWHBA1

Shown: 40cm basin with mono mixer tap.
ASWHSR40BA1 - TPASHMONO



Overview:

These square D shaped semi recessed basins are perfect for a wide range of installations. Their modern square design matches today's current trends.

Key product features:

- Internal overflow
- Chrome effect overflow ring
- CE Compliant
- Square design

Product:	40cm Basin	50cm Basin	56cm Basin
One tap hole code:	ASWHSR40BA1	ASWH2SR50BA1	ARWHBA1
Two tap hole code:	N/A	ASWH2SR50BA2	ARWHBA2
Weight in kg:	7.3	8.7	14.4
Colour:	White		
Material:	Vitreous china		
Standard:	EN14688-CL10	EN14688-CL15	
DOP:	WBVC1	WBV2	
BiM download:	×	×	×
CAD download:	✓	×	✓
Extras:	Bottle trap - BOTRAPCH / Waste - TPOPRNEW		

Special notes

40cm basin features an offset overflow, 50cm & 56cm basins have a centrally located overflow. Semi recessed basins are supplied with cutting template and fixing brackets. Designed for a back to wall setting.

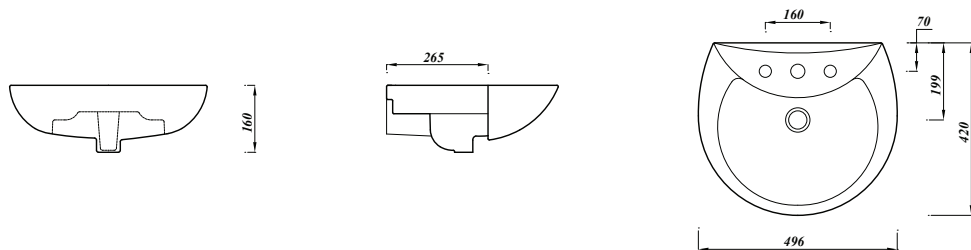
Product dimensions:

Size	A	B	C	D	E	F	G
40cm	161	220	147	400	52	331	400
50cm	168	236	157	500	55	340	500
56cm	210	280	197	563	78	479	562

All dimensions are approximate and subject to normal ceramic variation. Although every effort is made not to change the above product specification, Lecico reserve the right to do so without prior notification if necessary.



Shown: 50cm round semi recessed basin with mono mixer tap.
ASWHSR50BA1 - TPASHBASIN



Overview:

This classic round C shaped semi recessed basin is ideal for counter top and furniture mounting.

Key product features:

- Internal overflow
- Chrome effect overflow ring
- CE Compliant
- C shape design

Product:	50cm Round semi recessed basin
One tap hole code:	ASWHSR50BA1
Two tap hole code:	ASWHSR50BA2
Weight in kg:	9.5
Colour:	White
Material:	Vitreous china
Standard:	EN14688-CL15
DOP:	WBVC2
BiM download:	×
CAD download:	✓
Extras:	Bottle trap - BOTRAPCH / Waste - TPOPRNEW

Special notes

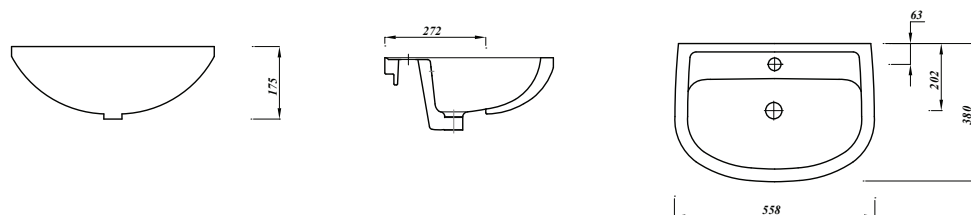
Semi recessed basin fits into 300mm deep furniture.
Includes fixing brackets and cutting template.

All dimensions are approximate and subject to normal ceramic variation.
Although every effort is made not to change the above product specification, Lecico reserve the right to do so without prior notification if necessary.



Also available as a standard basin
see page 158

Shown: 55cm SR basin with mono mixer tap, back to wall WC and furniture.
GEOWHSR55BA1 - TPCEDMONO - ASWHBWPA - STWHSCUNP -
STOSRBUGW - STOWCUGW - STOWKTMGR



Overview:

Bathrooms that are short on space doesn't need to be short on style! This cleverly designed semi recessed basin fits into the a worktop or furniture to make great use of space. it's soft round shape make it perfect for use with a square or round WC.

Key product features:

- Internal overflow
- Chrome effect overflow ring
- CE Compliant
- Modern design

Product:	Semi recessed
One tap hole code:	GEOWHSR55BA1
Two tap hole code:	N/A
Weight in kg:	13.5
Colour:	White
Material:	Vitreous china
Standard:	EN14688-CL20
DOP:	WBVC3
BiM download:	×
CAD download:	×
Extras:	Bottle trap - BOTRAPCH / Waste - TPOPRNEW

Special notes

Semi recessed basin fits into 300mm deep furniture.
Includes fixing brackets and cutting template.

All dimensions are approximate and subject to normal ceramic variation.
Although every effort is made not to change the above product specification, Lecico reserve the right to do so without prior notification if necessary.



Also available as a standard basin
see page 162

Shown: 54cm semi recessed basin with mono mixer tap.
SENSR54BA1 - TPPERAMONO

Overview:

Modern contemporary square semi recessed basin. Our designers have taken a classic approach to this semi recessed basin, making great use of space and capturing the current design trend of soft square.

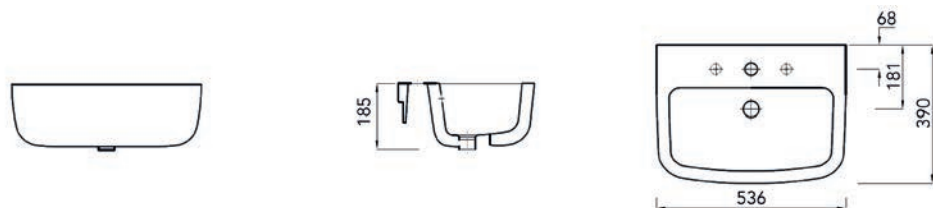
Key product features:

- Internal overflow
- Chrome effect overflow ring
- CE Compliant
- Modern design

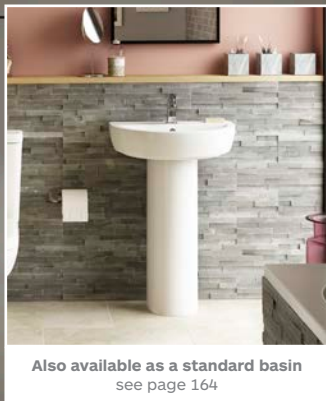
Product:	Semi recessed
One tap hole code:	SENSR54BA1
Two tap hole code:	SENSR54BA2
Weight in kg:	13.1
Colour:	White
Material:	Vitreous china
Standard:	EN14688-CL15
DOP:	WBVC2
BiM download:	✓
CAD download:	✓
Extras:	Bottle trap - BOTRAPCH / Waste - TPOPRNEW

Special notes

Semi recessed basin fits into 300mm deep furniture.
Includes fixing brackets and cutting template.



All dimensions are approximate and subject to normal ceramic variation.
Although every effort is made not to change the above product specification, Lecico reserve the right to do so without prior notification if necessary.



Also available as a standard basin
see page 164

Shown: Semi recessed basin, mono mixer tap and semi recessed furniture unit.
MDWHRSRBA1 - TPMIRMONO - STOSRBUDE - STOWKTSDE

Overview:

An attractive companion for furniture or a modern worktop, this semi recessed basin makes a bold statement with its luxurious round design.

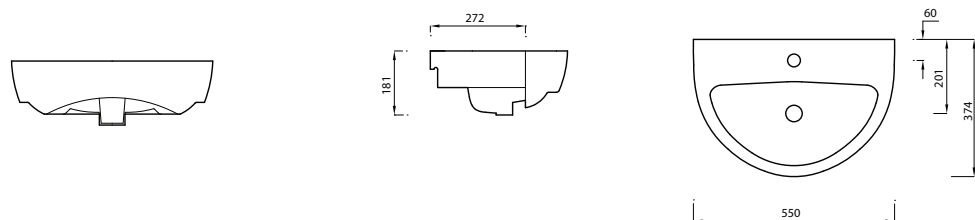
Key product features:

- Internal overflow
- Chrome effect overflow ring
- CE Compliant
- Bold round D shape design

Product:	Semi recessed
One tap hole code:	MDWHRSRBA1
Weight in kg:	12.5
Colour:	White
Material:	Vitreous china
Standard:	EN14688-CL10
DOP:	WBVC1
BiM download:	x
CAD download:	✓
Extras:	Bottle trap - BOTRAPCH / Waste - TPOPRNEW

Special notes

Semi recessed basin fits into 300mm deep furniture.
Includes fixing brackets and cutting template.



All dimensions are approximate and subject to normal ceramic variation.
Although every effort is made not to change the above product specification, Lecico reserve the right to do so without prior notification if necessary.



Also available as a standard basin
see page 166

Shown: Semi recessed basin, mono mixer tap and semi recessed furniture unit.
MDWHSSBA1 - TPMIRMONO - STOSRBUDE - STOWKTSDE

Overview:

A stylish companion for furniture or a modern worktop, this semi recessed basin makes a bold statement with its striking square design.

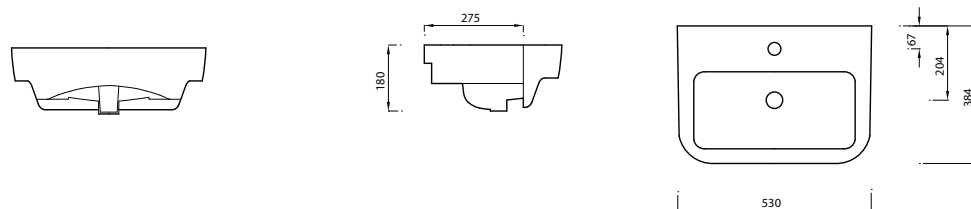
Key product features:

- Internal overflow
- Chrome effect overflow ring
- CE Compliant
- Modern design

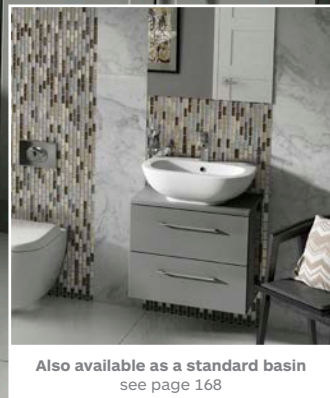
Product:	Semi recessed
One tap hole code:	MDWHSSBA1
Weight in kg:	13.1
Colour:	White
Material:	Vitreous china
Standard:	EN14688-CL15
DOP:	WBVC2
BiM download:	x
CAD download:	✓
Extras:	Bottle trap - BOTRAPCH / Waste - TPOPRNEW

Special notes

Semi recessed basin fits into 300mm deep furniture.
Includes fixing brackets and cutting template.



All dimensions are approximate and subject to normal ceramic variation.
Although every effort is made not to change the above product specification, Lecico reserve the right to do so without prior notification if necessary.



Also available as a standard basin
see page 168

Shown: 56cm semi recessed basin with mono mixer tap, back to wall WC and furniture.
AVNWH56BA1 - TPPERAMONO - AVNWHBWPA - STWHSC2MD
- STOSRBUGR - STOWCUGR - STOBUGR - STOWKTMGR

Overview:

This top of the range basin makes a striking statement in your bathroom. This semi recessed basin will pair perfectly with furniture to help create your perfect bathroom.

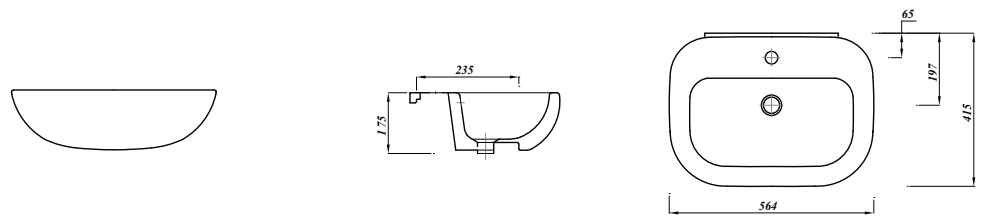
Key product features:

- Internal overflow
- Chrome effect overflow ring
- CE Compliant

Product:	Semi recessed
One tap hole code:	AVNWH56BA1
Weight in kg:	11.2
Colour:	White
Material:	Fireclay
Standard:	EN14688-CL10
DOP:	WBFC1
BiM download:	×
CAD download:	✓
Extras:	Bottle trap - BOTRAPCH / Waste - TPOPRNEW

Special notes

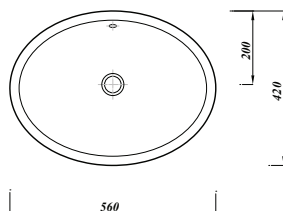
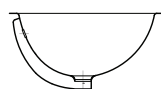
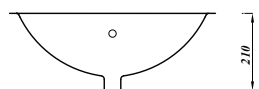
Semi recessed basin fits into 300mm deep furniture.
Includes fixing brackets and cutting template.



All dimensions are approximate and subject to normal ceramic variation.
Although every effort is made not to change the above product specification, Lecico reserve the right to do so without prior notification if necessary.



Shown: Under counter basin.
ASWHUCBA



Overview:

Under counter basins are designed for use with solid or composite, natural or man-made worktops. Ideal for contemporary bathrooms or commercial settings.

Key product features:

- Internal overflow
- Chrome effect overflow ring
- CE Compliant

Product:	Under counter Basin
Code:	ASWHUCBA
Weight in kg:	8.9
Colour:	White
Material:	Vitreous china
Standard:	EN14688-CL20
DOP:	WBVC3
BiM download:	×
CAD download:	✓
Options:	Bottle trap - BOTRAPCH / Waste - TPOPRNEW

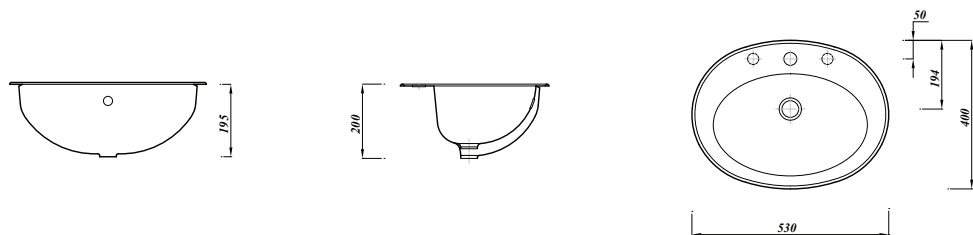
Special notes

Includes cutting template and fixing brackets

All dimensions are approximate and subject to normal ceramic variation. Although every effort is made not to change the above product specification, Lecico reserve the right to do so without prior notification if necessary.



Shown: Vanity basin with mono mixer tap.
ASWHVBA1 - TPASHMONO



Overview:

Vanity basins are designed for use with solid or composite, natural or man-made worktops. Ideal for contemporary bathrooms or commercial settings.

Key product features:

- Internal overflow
- Chrome effect overflow ring
- CE Compliant
- Oval design

Product:	Vanity basin
One tap hole code:	ASWHVBA1
Two tap hole code:	ASWHVBA2
Weight in kg:	8.4
Colour:	White
Material:	Vitreous china
Standard:	EN14688-CL20
DOP:	WBVC3
BiM download:	×
CAD download:	✓
Extras:	Bottle trap - BOTRAPCH / Waste - TPOPRNEW

Special notes

Includes cutting template
Overflow is opposite tap (hidden in picture)

All dimensions are approximate and subject to normal ceramic variation. Although every effort is made not to change the above product specification, Lecico reserve the right to do so without prior notification if necessary.



Overview:

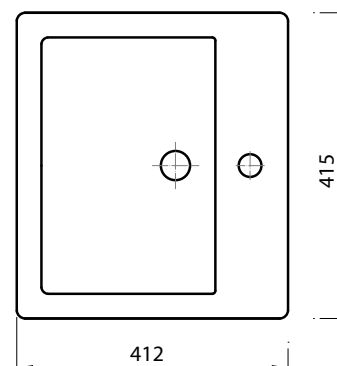
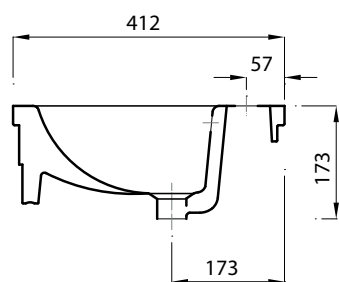
A contemporary square vanity basin perfect for mounting within a counter-top.

Key product features:

- Internal overflow
- CE Compliant
- Centre tap hole only
- Vanity basin - with 25mm visible height

Product:	41.5cm Square vanity basin
One tap hole code:	FSBVV
Weight in kg:	12
Colour:	White
Material:	Fireclay
Standard:	EN14688-CL15
DOP:	WBFC2
BiM download:	x
CAD download:	✓
Extras:	Bottle trap - BOTRAPCH / Waste - TPOPRNEW

Shown: Square 41.5cm vanity basin - tap shown for illustration only
FSBVV



Special notes

Includes cutting template

All dimensions are approximate and subject to normal ceramic variation. Although every effort is made not to change the above product specification, Lecico reserve the right to do so without prior notification if necessary.



Overview:

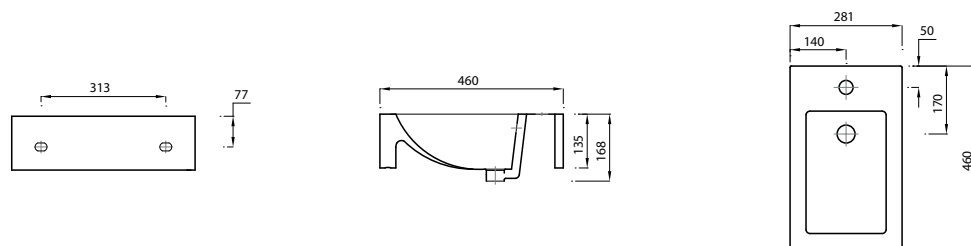
A contemporary square basin that is perfect for cloakrooms and mounting on worktops, or directly to the wall. This compact basin is designed for a back to wall use only.

Key product features:

- Internal overflow
- CE Compliant
- Right hand tap hole only
- Fixing holes in back edge for wall mounting

Product:	46cm Basin
One tap hole code:	FSBVWB28
Weight in kg:	11.3
Colour:	White
Material:	Fireclay
Standard:	EN14688-CL10
DOP:	WBFC1
BiM download:	x
CAD download:	✓
Wall mounted:	Fixing bolts - FBWB
Options:	Bottle trap - BOTRAPCH / Waste - TPOPRNEW

Shown: 46cm basin with mono mixer tap.
FSBVWB28 - TPMIRMONO



All dimensions are approximate and subject to normal ceramic variation. Although every effort is made not to change the above product specification, Lecico reserve the right to do so without prior notification if necessary.



Overview:

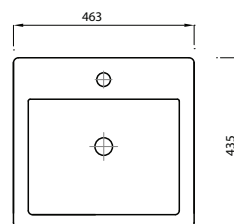
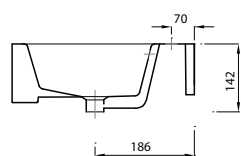
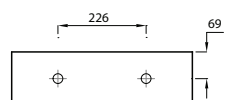
A medium sized contemporary square basin that is perfect for cloakrooms and mounting on worktops or directly to the wall. This compact basin is designed for a back to wall use only.

Key product features:

- Internal overflow
- CE Compliant
- Centre tap hole only
- Fixing holes in back edge for wall mounting

Product:	46cm Basin
One tap hole code:	FSBVWB47
Weight in kg:	13.7
Colour:	White
Material:	Fireclay
Standard:	EN14688-CL10
DOP:	WBFC1
BiM download:	x
CAD download:	✓
Wall mounted:	Fixing bolts - FBWB
Options:	Bottle trap - BOTRAPCH / Waste - TPOPRNEW

Shown: 46cm basin with mono mixer tap.
FSBVWB47 - TPMIRMONO



All dimensions are approximate and subject to normal ceramic variation. Although every effort is made not to change the above product specification, Lecico reserve the right to do so without prior notification if necessary.



Overview:

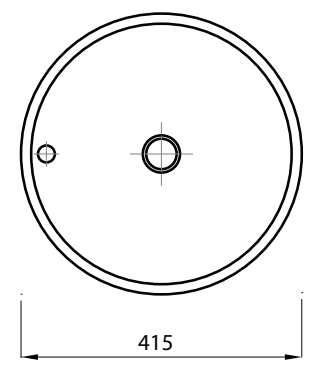
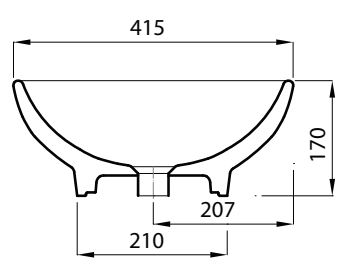
A contemporary round basin perfect for mounting on a countertop or furniture. This basin looks great as a pair for a "his and hers" bathroom layout.

Key product features:

- Internal overflow (not visible in photo on opposite page)
- CE Compliant
- No tap hole

Product:	41.5cm Round basin
One tap hole code:	FSB1R
Weight in kg:	7.7
Colour:	White
Material:	Fireclay
Standard:	EN14688-CL10
DOP:	WBFC1
BiM download:	x
CAD download:	✓
Extras:	Bottle trap - BOTRAPCH / Waste - TPOPRNEW

Shown: 41.5cm round basin- tap shown for illustration only
FSB1R



All dimensions are approximate and subject to normal ceramic variation. Although every effort is made not to change the above product specification, Lecico reserve the right to do so without prior notification if necessary.



Overview:

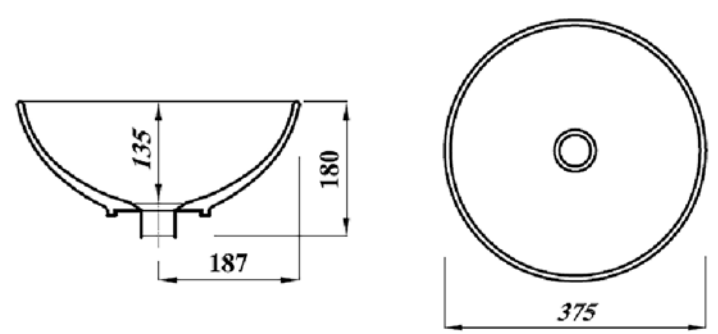
A thin lipped round basin perfect for mounting on a countertop or furniture. This basin looks great as a pair for a “his and hers” bathroom layout.

Key product features:

- No overflow
- CE Compliant
- No tap hole
- Thin lipped design

Product:	37.5cm Round basin
One tap hole code:	FSBTHR
Weight in kg:	2.9
Colour:	White
Material:	Fireclay
Standard:	EN14688-CL00
DOP:	WBFC5
BiM download:	x
CAD download:	✓
Options:	Bottle trap - BOTRAPCH / Waste - TPOPRNEW

Shown: 37.5cm round basin- tap shown for illustration only
FSBTHR



All dimensions are approximate and subject to normal ceramic variation. Although every effort is made not to change the above product specification, Lecico reserve the right to do so without prior notification if necessary.



Overview:

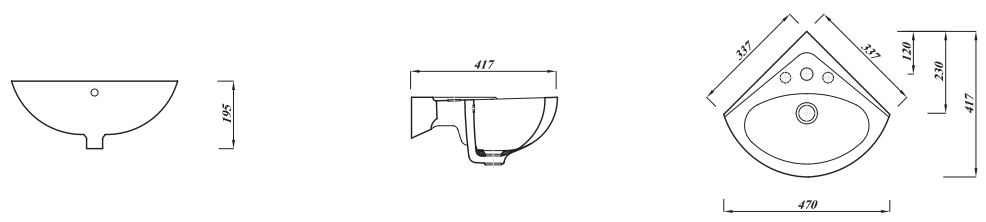
Corner basins are ideally suited for cloakrooms and smaller bathrooms where space is at a premium. This basin is also perfect for commercial applications mounting without the use of a pedestal.

Key product features:

- Internal overflow
- Chrome effect overflow ring
- CE Compliant

Product:	47cm Basin
One tap hole code:	ASWHCBA1
Two tap hole code:	ASWHCBA2
Weight in kg:	8.7
Colour:	White
Material:	Vitreous china
Standard:	EN14688-CL10
DOP:	WBFC1
BiM download:	x
CAD download:	✓
Full pedestals:	n/a
Semi pedestal:	n/a
Wall mounted:	Bracket - BRACK / Fixing bolts - FBWB
Options:	Bottle trap - BOTRAPCH / Waste - TPOPRNEW

Shown: 47cm corner basin with mono mixer tap.
ASWHCBA1 - TPASHMONO



All dimensions are approximate and subject to normal ceramic variation. Although every effort is made not to change the above product specification, Lecico reserve the right to do so without prior notification if necessary.



Overview:

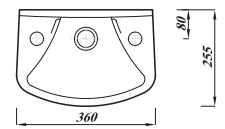
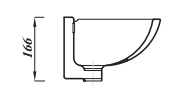
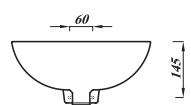
The 1410 is a cloakroom basin with two tap holes. Named because of its imperial dimensions. Ideal for commercial applications.

Key product features:

- Internal overflow
- Chrome effect overflow ring
- CE Compliant
- Compact design

Product:	36cm Basin
Two tap hole code:	ASWH14BA
Weight in kg:	5
Colour:	White
Material:	Vitreous china
Standard:	EN14688-CL15
DOP:	WBVC2
BiM download:	✓
CAD download:	✓
Full pedestals:	n/a
Semi pedestal:	n/a
Wall mounted:	Bracket - BRACK / Fixing bolts - FBWB
Options:	Bottle trap - BOTRAPCH / Plug & chain - DWASTE

Shown: 36cm (14x10) basin with basin taps.
ASWH14BA - TPASHBASIN



All dimensions are approximate and subject to normal ceramic variation. Although every effort is made not to change the above product specification, Lecico reserve the right to do so without prior notification if necessary.



Overview:

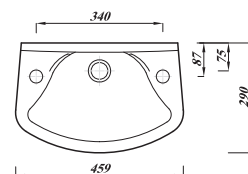
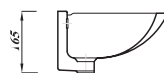
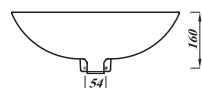
The 1811 is a cloakroom basin with two tap holes. Named because of its imperial dimensions. Ideal for commercial applications.

Key product features:

- Internal overflow
- Chrome effect overflow ring
- CE Compliant
- Compact design

Product:	46cm Basin
Two tap hole code:	ASWH18BA
Weight in kg:	6.3
Colour:	White
Material:	Vitreous china
Standard:	EN14688-CL15
DOP:	WBVC2
BiM download:	✓
CAD download:	✓
Full pedestals:	n/a
Semi pedestal:	n/a
Wall mounted:	Bracket - BRACK / Fixing bolts - FBWB
Extras:	Bottle trap - BOTRAPCH / Plug & chain - DWASTE

Shown: 46cm (18x11) basin with basin taps.
ASWH18BA - TPASHBASIN



All dimensions are approximate and subject to normal ceramic variation. Although every effort is made not to change the above product specification, Lecico reserve the right to do so without prior notification if necessary.



Shown: 59cm (22x16) basin with towel rail bracket and basin taps.
ASWH22A - TRB - TPASHBASIN

Overview:

The 2216 is a large rectangular basin with two tap holes. It is suitable for washrooms and other commercial applications. This basin can be wall mounted using a towel rail brackets for a practical & cost effective solution. Named because of its imperial dimensions. Ideal for commercial applications.

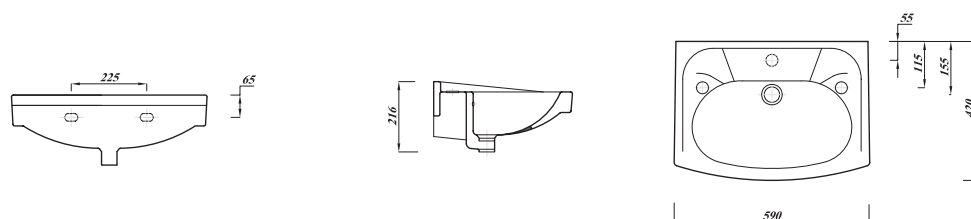
Key product features:

- Internal overflow
- CE Compliant
- Integrated towel rail

Product:	59cm Basin
Two tap hole code:	ASWH22BA
Weight in kg:	13.9
Colour:	White
Material:	Vitreous china
Standard:	EN14688-CL15
DOP:	WBVC2
BiM download:	✓
CAD download:	✓
Full pedestals:	n/a
Semi pedestal:	n/a
Wall mounted:	Bracket - TRB / Fixing bolts - FBWB
Extras:	Bottle trap - BOTRAPCH / Plug & chain - DWASTE

Special notes

This basin requires a choice of fixing brackets (sold separately)



All dimensions are approximate and subject to normal ceramic variation. Although every effort is made not to change the above product specification, Lecico reserve the right to do so without prior notification if necessary.



Overview:

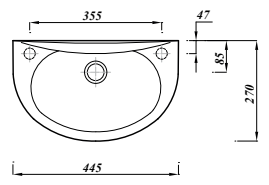
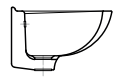
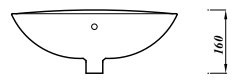
This compact round cloakroom basin is perfect for situations where space is at a premium.

Key product features:

- Internal overflow
- Chrome effect overflow ring
- CE Compliant
- Compact round design

Product:	45cm Round basin
Two tap hole code:	ASWHRCBA
Weight in kg:	5.8
Colour:	White
Material:	Vitreous china
Standard:	EN14688-CL10
DOP:	WBVC1
BiM download:	x
CAD download:	✓
Full pedestals:	n/a
Semi pedestal:	n/a
Wall mounted:	Bracket - BRACK / Fixing bolts - FBWB
Extras:	Bottle trap - BOTRAPCH / Plug & chain - DWASTE

Shown: 45cm round cloakroom, basin taps.
ASWHRCBA - BOTRAPCH - TPASHBASIN



All dimensions are approximate and subject to normal ceramic variation. Although every effort is made not to change the above product specification, Lecico reserve the right to do so without prior notification if necessary.



Overview:

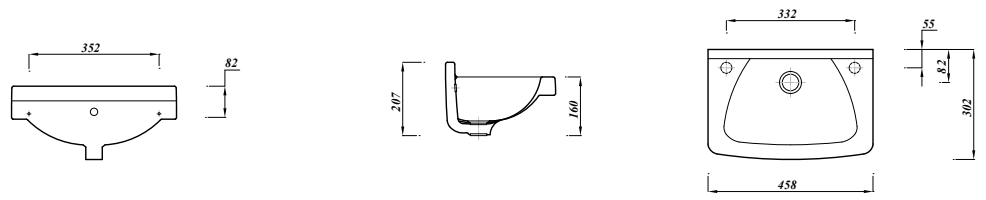
This compact square cloakroom basin is perfect for situations where space is at a premium.

Key product features:

- Internal overflow
- Chrome effect overflow ring
- CE Compliant
- Compact square design

Product:	46cm Square basin
Two tap hole code:	ASWHSCBA2
Weight in kg:	8
Colour:	White
Material:	Vitreous china
Standard:	EN14688-CL20
DOP:	WBVC3
BiM download:	x
CAD download:	✓
Full pedestals:	n/a
Semi pedestal:	n/a
Wall mounted:	Bracket - BRACK / Fixing bolts - FBWB
Extras:	Bottle trap - BOTRAPCH / Plug & chain - DWASTE

Shown: 46cm square cloakroom basin and basin taps.
ASWHSCBA2 - BOTRAPCH - TPASHBASIN



All dimensions are approximate and subject to normal ceramic variation. Although every effort is made not to change the above product specification, Lecico reserve the right to do so without prior notification if necessary.



Shown: 46cm (18x11) basin with sequential mixer tap.
DASWH18BA - DMIXER

Overview:

The economy docM basin features two tap holes, is Ideal for commercial applications and is compliant with LANTAC. This basin has no overflow or chain-stay hole and can be left or right handed, to ensure the tap is closest to the WC.

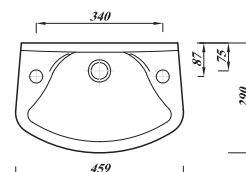
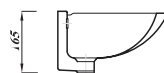
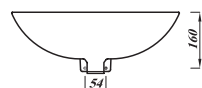
Key product features:

- No overflow
- CE Compliant
- Compact design
- 35mm tap holes

Product:	46cm Basin
Two tap hole code:	DASWH18BA
Weight in kg:	6.3
Colour:	White
Material:	Vitreous china
Standard:	EN14688-CL00
DOP:	WBVC5
BiM download:	✓
CAD download:	✓
Full pedestals:	n/a
Semi pedestal:	n/a
Wall mounted:	Bracket - BRACK / Fixing bolts - FBWB
Options:	Grated waste - DGRWASTE / Bottle trap - BOTRAPCH

Special notes

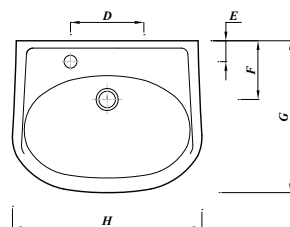
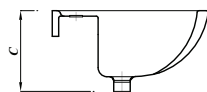
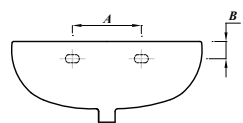
When supplied as part of a DocM pack this basin includes a white tap hole blanking plug



All dimensions are approximate and subject to normal ceramic variation. Although every effort is made not to change the above product specification, Lecico reserve the right to do so without prior notification if necessary.



Shown: 52cm right handed basin with sequential mixer tap.
DOCM51BARH - DMIXER



Overview:

The standard DocM basin features a left or right handed tap hole. Ideal for commercial applications and is compliant with LANTAC. This basin has no overflow or chain-stay hole and is supplied as either left or right handed.

Key product features:

- No overflow
- CE Compliant
- smooth easy clean design

Product:	45cm Basin	52cm Basin
Left handed code:	DOCM45BALH	DOCM51BALH
Right handed code:	DOCM45BARH	DOCM51BARH
Weight in kg:	10.2	12.5
Colour:	White	
Material:	Vitreous china	
Standard:	EN14688-CL00	
DOP:	WBVC5	
BiM download:	✓	✓
CAD download:	✓	✓
Full pedestals:	N/A	
Semi pedestal:	N/A	
Wall mounted:	Bracket - BRACK / Fixing bolts - FBWB	
Options:	Grated waste - DGRWASTE	

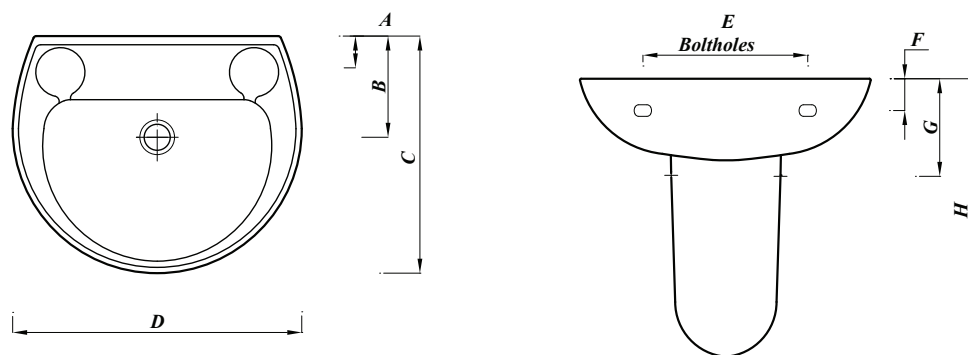
Product dimensions:

Size	A	B	C	D	E	F	G	H
45cm	180	57	220	N/A	57	160	347	453
52cm	172	60	220	N/A	57	160	414	518

All dimensions are approximate and subject to normal ceramic variation. Although every effort is made not to change the above product specification, Lecico reserve the right to do so without prior notification if necessary.



Shown: 50cm medical basin.
ASWH50BA0N0



Overview:

With no overflow and no tap holes, these medical basins are compliant with HBN00-10 Part C (formally known as HTM64).

Key product features:

- No overflow
- CE Compliant
- C shape medical design

Product:	50cm Basin	55cm Basin
No tap hole code:	ASWH50BA0N0	ASWHBA0N0
Weight in kg:	9.5	12
Colour:	White	
Material:	Vitreous china	
Standard:	EN14688-CL00 / HBN00-10 Part C	
DOP:	WBVC5	
BiM download:	x	x
CAD download:	✓	✓
Full pedestal:	n/a	
Semi pedestal:	NLGWHSPE	
Wall mounted:	Bracket - BRACK / Fixing bolts - FBWB	
Options:	Grated waste - DGRWASTE	

Special notes:

These basins have no overflow and no tap holes

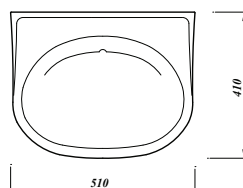
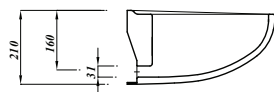
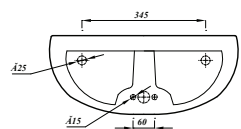
Product dimensions:

Size	A	B	C	D	E	F	G	H
50cm	62	190	410	500	280	52	173	480
55cm	60	192	463	548	285	50	200	500

All dimensions are approximate and subject to normal ceramic variation. Although every effort is made not to change the above product specification, Lecico reserve the right to do so without prior notification if necessary.



Shown: Clinical basin.
ASCLINICAL



Overview:

With a constant outlet and no tap holes, the clinical basin is compliant with HBN00-10 Part C (formally known as HTM64). The basin is supplied with relevant brackets and waste kit.

Key product features:

- Horizontal waste
- CE Compliant
- D shape clinical design

Product:	Clinical basin
No tap hole code:	ASCLINICAL
Weight in kg:	9.5
Colour:	White
Material:	Vitreous china
Standard:	EN14688-CL00 / HBN00-10 Part C
DOP:	WBVC5
BiM download:	×
CAD download:	✓
Full pedestals:	N/A
Semi pedestal:	N/A

Special notes:

Basin is supplied with fixing kit

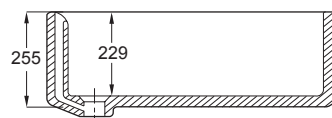
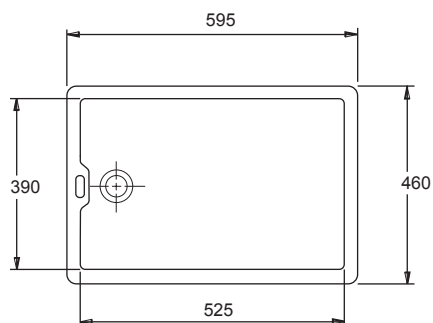


All dimensions are approximate and subject to normal ceramic variation. Although every effort is made not to change the above product specification, Lecico reserve the right to do so without prior notification if necessary.



Belfast sink with support legs

Shown: Belfast cleaner sink.
BELSET



Overview:

With its weir overflow it makes an ideal, practical sink for commercial applications such as schools and colleges.

Key product features:

- Stain and germ resistant
- Made from heavy duty fireclay
- CE Compliant
- Traditional design

Product:	Belfast cleaner sink
Product code:	BELSET
Weight in kg:	52.4
Colour:	White
Material:	Fireclay
Standard:	BS5506/3, EN31, EN37
DOP:	n/a
BiM download:	x
CAD download:	x
Includes:	Chrome effect leg support, bearers and waste kit

Special notes:

Basin is supplied with support legs kit and waste
- Height of legs 660mm



All dimensions are approximate and subject to normal ceramic variation. Although every effort is made not to change the above product specification, Lecico reserve the right to do so without prior notification if necessary.



Overview:

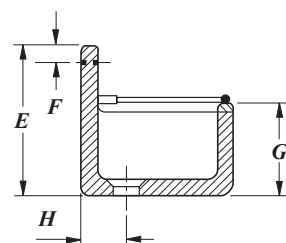
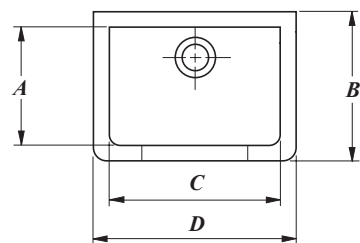
Practical low back fireclay cleaner's sinks, designed to withstand heavy use. Available in 2 sizes.

Key product features:

- Stain and germ resistant
- Made from heavy duty fireclay
- CE Compliant
- Acid and alkali resistant.
- Built in bucket grate included

Product:	18" low back cleaner sink	20" low back cleaner sink
Code:	CLEANL18SET	CLEANL20SET
Weight in kg:	47.4	52.4
Colour:	White	
Material:	Fireclay	
Standard:	BS5506/3, EN695, EN37	
DOP:	N/A	
BiM download:	x	x
CAD download:	x	x
Includes:	Chrome effect leg support, bearers and waste kit	

Shown: 18" low back cleaner sink.
CLEANL18SET



Product dimensions:

Size	A	B	C	D	E	F	G	H
18"	305	380	385	460	355	45	205	115
20"	305	380	435	510	380	45	230	115

Special notes:

Basin is supplied with support legs kit and waste
- Height of legs 360mm



All dimensions are approximate and subject to normal ceramic variation. Although every effort is made not to change the above product specification, Lecico reserve the right to do so without prior notification if necessary.



Overview:

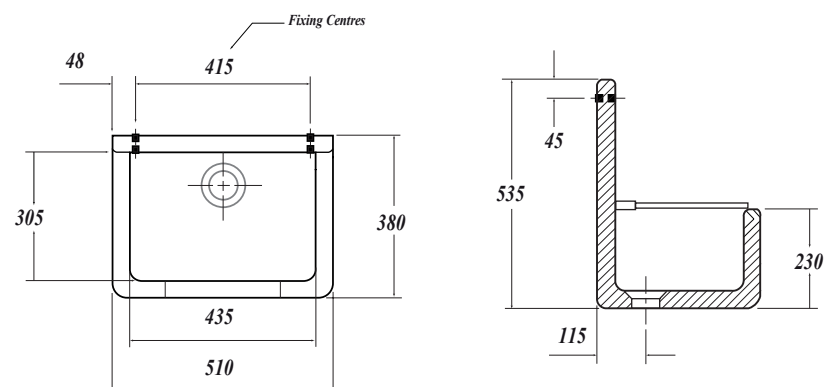
Practical high back fireclay cleaner's sink. Designed to withstand heavy use. Ideal for hospitals, schools and other commercial applications.

Key product features:

- Stain and germ resistant
- Made from heavy duty fireclay
- CE Compliant
- Acid and alkali resistant.
- Built in bucket grate included

Product:	20" High back cleaner sink
Product code:	CLEANH20SET
Weight in kg:	57.4
Colour:	White
Material:	Fireclay
Standard:	BS5506/3, EN695, EN37
DOP:	N/A
BiM download:	×
CAD download:	×
Includes:	Chrome effect support legs ,waste kit and support grate

Shown: 20" high back cleaner sink.
CLEANH20SET



Special notes:

Basin is supplied with support legs kit and waste
- Height of legs 360mm

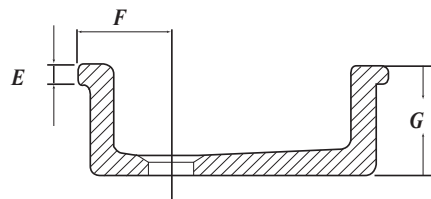
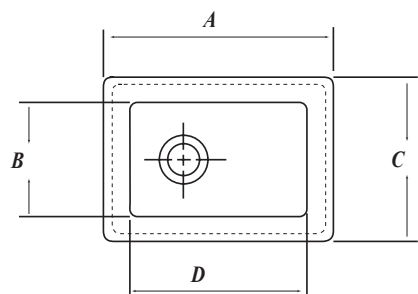


All dimensions are approximate and subject to normal ceramic variation. Although every effort is made not to change the above product specification, Lecico reserve the right to do so without prior notification if necessary.



18" Drainer

Shown: Lab sink.
LABSINK1



Overview:

Extremely durable science-friendly fireclay lab sinks, designed to fix under a bench-top. Available in four sizes with an additional drainer, this range is stain resistant and anti-bacterial.

Key product features:

- Stain and germ resistant
- Made from heavy duty fireclay
- CE Compliant
- Inset or under-mount installation.

Product:	Laboratory sinks			
Code:	LABSINK1	LABSINK2	LABSINK3	LABSINK4
Weight in kg:	14	17	26	38
Colour:	White			
Material:	Fireclay			
Standard:	BS5506/3, EN695, EN37			
DOP:	n/a	n/a	n/a	n/a
BiM download:	x	x	x	x
CAD download:	x	x	x	x
Option:	18"x18" drainer: DRAINER			

Special notes:

1.5" Sink waste outlet and no overflow
Acid and alkali resistant

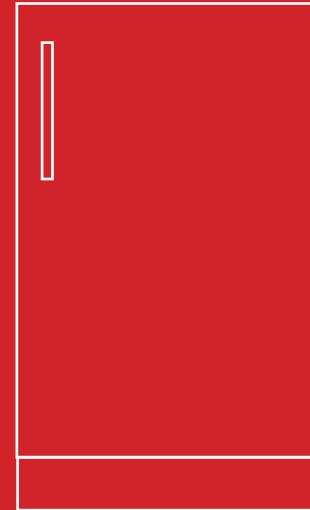
Product dimensions:

Size	A	B	C	D	E	F	G
Lab 1	360	200	280	280	120	22	178
Lab 2	330	250	330	250	120	22	180
Lab 3	595	305	380	515	120	22	230
Lab 4	460	375	280	365	120	22	200

All dimensions are approximate and subject to normal ceramic variation. Although every effort is made not to change the above product specification, Lecico reserve the right to do so without prior notification if necessary.



Furniture

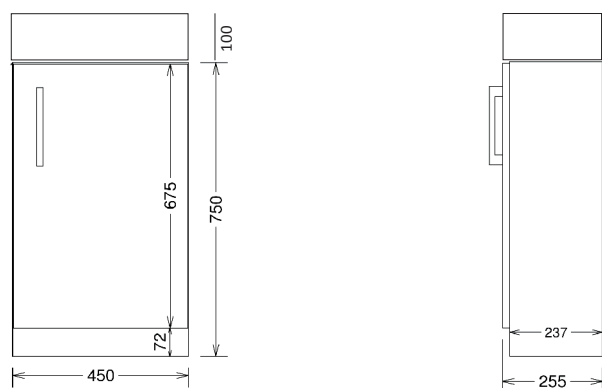


Vanity units
Fitted look units
Wall mounted units

238-241
242-243
244-249



Shown: 45cm vanity unit with basin and mono mixer tap.
LICVUDE - TPRAMONO



Overview:

This floor-standing furniture comes in a choice of three finishes; gloss white, dark elm or gloss grey. The single door compact unit includes the basin and is ideal for smaller bathrooms and cloakrooms.

Key product features:

- Pre-built rigid unit
- Soft close hinges
- Compact ceramic basin
- Internal shelf
- 18mm carcass

Product:	450mm compact vanity
Dark elm code:	LICVUDE
White code:	LICVUGW
Gloss grey code:	LICVUGR
Weight in kg:	12
Material:	MFC & vitreous china
Standard:	n/a
DOP:	n/a
BiM download:	x
CAD download:	x

Special notes

Right hand Basin and door only
Door handles are supplied but not installed to prevent damage during transportation

Colour samples

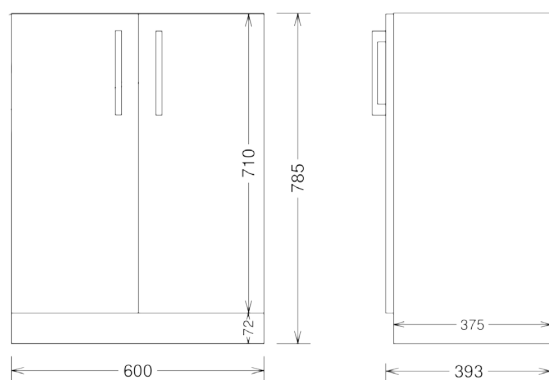


Dark elm Gloss white Gloss grey

All dimensions are approximate and subject to normal ceramic variation. Although every effort is made not to change the above product specification, Lecico reserve the right to do so without prior notification if necessary.



Shown: 60cm vanity unit with basin, mono mixer tap and close coupled WC with soft close seat.
LIVUDE - TPPRAMONO - SENSQPAN - SENPCI - STSENSQSC



Overview:

The two door unit includes the ceramic basin and is designed for use in family bathrooms. It provides useful storage space and will compliment a wide range of bathroom designs with its three colour variants.

Key product features:

- Pre-built rigid unit
- Soft close hinges
- Large slimline ceramic basin
- Internal shelf
- 18mm carcass

Product:	600mm vanity unit
Dark elm code:	LIVUDE
White code:	LIVUGW
Gloss grey code:	LIVUGR
Weight in kg:	23
Material:	MFC & vitreous china
Standard:	n/a
DOP:	n/a
BiM download:	×
CAD download:	×

Special notes

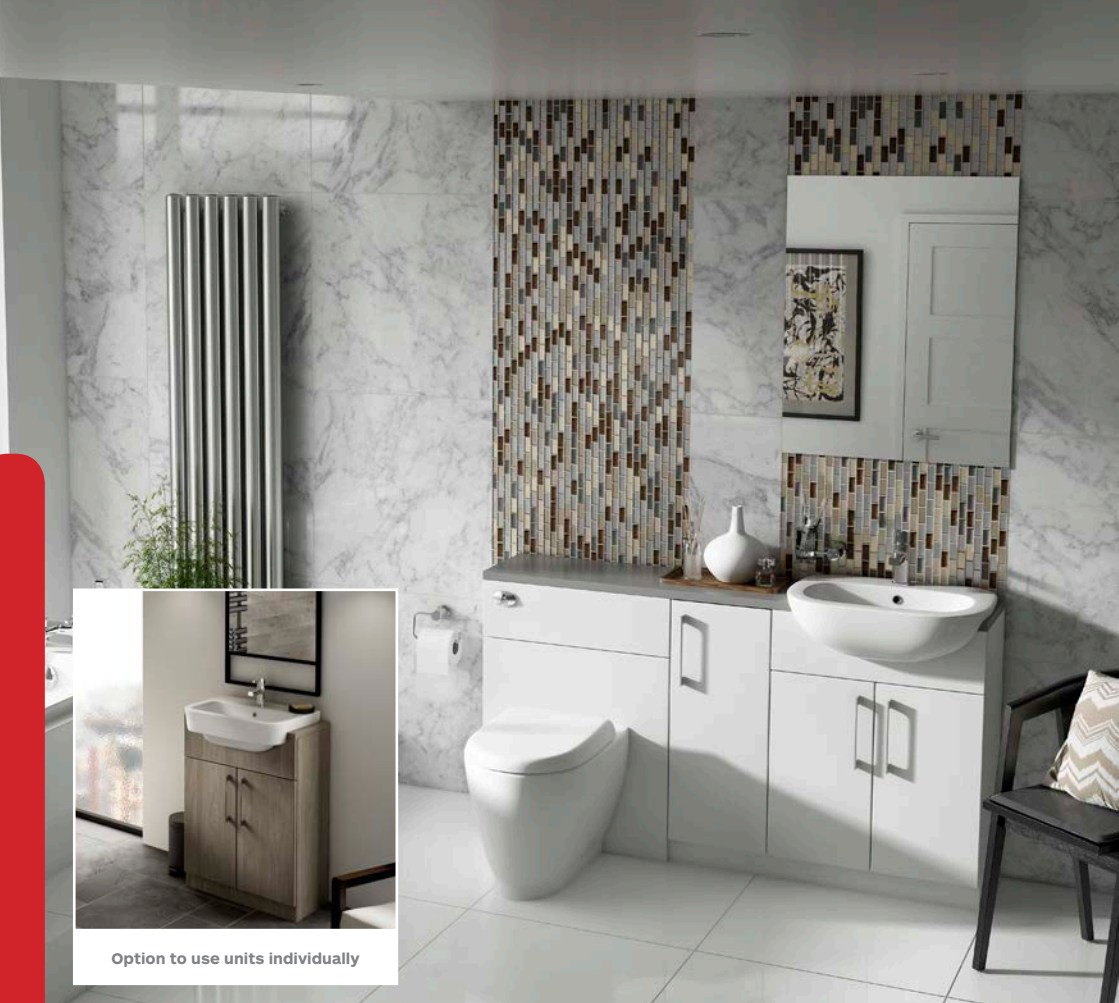
Door handles are supplied but not installed to prevent damage during transportation.
Drawing shown without basin, add 25mm to height.

Colour samples



Dark elm Gloss white Gloss grey

All dimensions are approximate and subject to normal ceramic variation.
Although every effort is made not to change the above product specification, Lecico reserve the right to do so without prior notification if necessary.

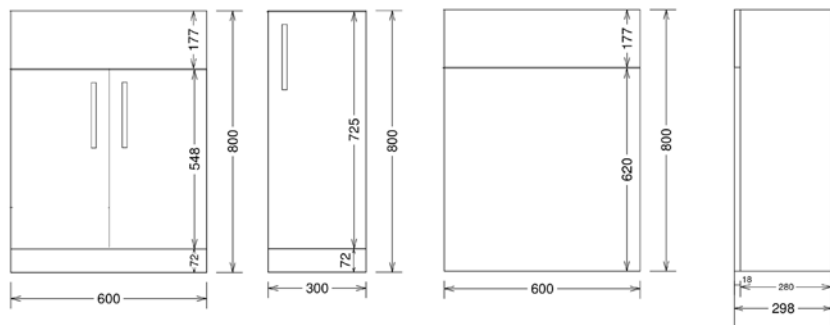


Option to use units individually

Shown: 55cm SR basin with mono mixer tap, back to wall WC and furniture.

AVNWHBWP - STWHSC2MD - AVNWHSR55BA1 - TPMIRMONO

- STOSRBUGW STOBUGW - STOWCUGW - STOWKTLGR



Overview:

The fitted look furniture range including both basin and WC unit options in a choice of colour-ways. Perfect for that fitted look with a semi recessed basin and back to wall WC.

Key product features:

- Pre-built rigid unit
- Soft close hinges
- Fitted look modular design
- WC unit includes push button cistern
- 18mm carcass

Product:	SR vanity unit	WC unit	300mm base unit
White code:	STOSRBUGW	STOWCUGW	STOBUGW
White worktop code:	600mm - STOWKTSGW 1200mm - STOWKTMGW 1500mm - STOWKTLGW		
Grey code:	STOSRBUGR	STOWCUGR	STOBUGR
Grey worktop code:	600mm - STOWKTSGR 1200mm - STOWKTMGR 1500mm - STOWKTLGR		
Dark elm code:	STOSRBUDE	STOWCUDE	STOBUDE
Dark elm worktop code:	600mm - STOWKTSDE 1200mm - STOWKTMDE 1500mm - STOWKTLDE		
Weight in kg:	13*	12*	10*
Colour:	Choice of gloss white, gloss grey or dark elm		
Material:	MFC		
Standard:	n/a	n/a	n/a
DOP:	n/a	n/a	n/a
BiM download:	x	x	x
CAD download:	x	x	x
Flushing volume:	n/a	6/4ltr	n/a
Flushing mechanism:	n/a	Dual flush push button	n/a
Inlet:	n/a	Bottom - RHS	n/a
WRAS:	n/a	✓	n/a

Special notes

Door handles are supplied but not installed to prevent damage during transportation

*Weights are exclusive of the worktops: (600mm - 3kg 1200mm - 6kg - 1500mm- 8kg)

WC unit available without concealed cistern (STOWCUNM)

Colour samples



Dark elm Gloss white Gloss grey

All dimensions are approximate and subject to normal ceramic variation.

Although every effort is made not to change the above product specification, Lecico reserve the right to do so without prior notification if necessary.



Overview:

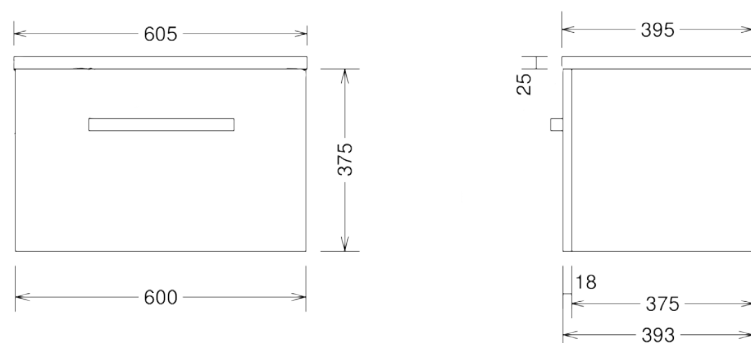
This one drawer bathroom furniture unit is available with the options of a sit-in basin or a worktop to allow the mounting of a suitable free-standing basin. This combined with the two colour finishes gives multiple options for creativity.

Key product features:

- Pre-build rigid unit
- Soft close draw
- Wall mounted modern design
- 18mm carcass

Product:	600mm 1 drawer unit & basin	600mm 1 drawer unit & worktop
White code:	CAWMUSL1GW	CAWMU1GW
Dark elm code:	CAWMUSL1DE	CAWMU1DE
Weight in kg:	20	15
Colour:	Choice of gloss white or dark elm	
Material:	MFC & Vitreous china	MFC
Standard:	n/a	n/a
DOP:	n/a	n/a
BiM download:	×	×
CAD download:	×	×

Shown: 600mm one drawer unit in gloss white with fitted basin, mono mixer tap and wall hung WC
CAWMUSL1GW - TPCEDMONO- SENSQWLHGPAN



Special notes

Door handles are supplied but not installed to prevent damage during transportation. Basin features an internal overflow and is only available with a single tap hole. Line drawing features worktop at 25mm, basin height is 15mm.

Colour samples

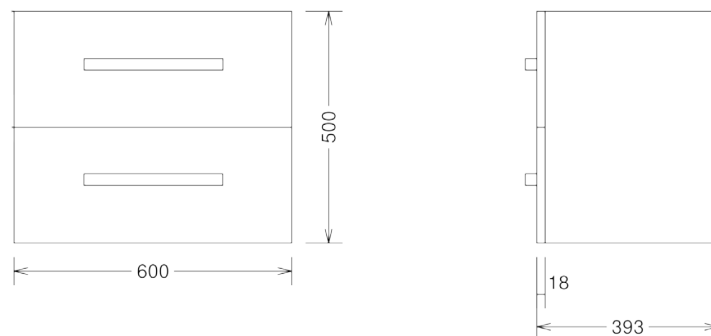


Dark elm Gloss white

All dimensions are approximate and subject to normal ceramic variation. Although every effort is made not to change the above product specification, Lecico reserve the right to do so without prior notification if necessary.



Shown: 55cm basin with mono mixer tap, wall hung WC and furniture.
AVNWHWHP - STWHSC2MD - AVNWH56BA1 - TPCEDMONO
- CALWMUSL2GR



Overview:

This two drawer bathroom furniture unit is available with the options of a sit-in basin or a worktop to allow the mounting of a suitable free-standing basin. This combined with the four colour finishes gives multiple options for creativity.

Key product features:

- Pre-built rigid unit
- Soft close drawers
- Wall mounted modern design
- 18mm carcass

Product:	600mm 2 drawer unit & basin	600mm 2 drawer unit & worktop
White code:	CAWMUSL2GW	CAWMU2GW
Dark elm code:	CAWMUSL2DE	CAWMU2DE
Grey code:	CAWMUSL2GR	CAWMU2GR
Wenge code:	CAWMUSL2WE	CAWMU2WE
Weight in kg:	22	17
Colour:	Choice of gloss white or dark elm, gloss grey or wenge	
Material:	MFC & Viterous china	MFC
Standard:	n/a	n/a
DOP:	n/a	n/a
BiM download:	x	x
CAD download:	x	x

Special notes

Door handles are supplied but not installed to prevent damage during transportation. Basin features an internal overflow and is only available with a single tap hole. Worktop height is 25mm, basin height is 15mm.

Colour samples



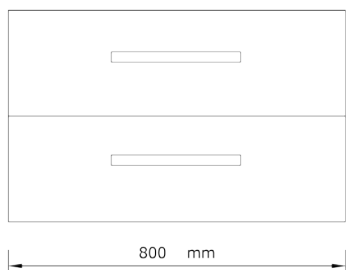
Dark elm Gloss white Gloss grey Wenge

Although every effort is made not to change the above product specification, Lecico reserve the right to do so without prior notification if necessary.

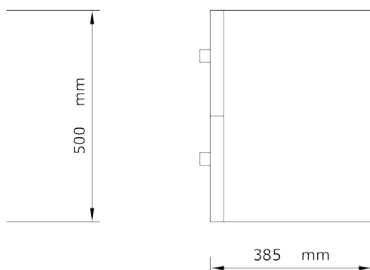


Shown: 800mm two drawer unit in wenge with inset basin, mono mixer tap.
CALWMUSL2WE - TPPRAMONO

Front



Side



Overview:

This wide two drawer bathroom furniture unit is available with the options of a sit in basin or a worktop to allow the mounting of a suitable free-standing basin. This basins 800mm width provides lots of usable space and storage.

Key product features:

- Pre-built rigid unit
- Soft close drawers
- Wall mounted modern design
- 18mm carcass

Product:	800mm 2 drawer unit & basin	800mm 2 drawer unit & worktop
Gloss white code:	CALWMUSL2GW	CALWMMU2GW
Dark elm code:	CALWMUSL2DE	CALWMMU2DE
Gloss grey code:	CALWMUSL2GR	CALWMMU2GR
Wenge code:	CALWMUSL2WE	CALWMMU2WE
Weight in kg:	26	22
Colour:	Choice of gloss white or dark elm, gloss grey or wenge	
Material:	MFC & Vitreous china	MFC
Standard:	n/a	n/a
DOP:	n/a	n/a
BiM download:	x	x
CAD download:	x	x

Special notes

Door handles are supplied but not installed to prevent damage during transportation.
Basin features an internal overflow and is only available with a single tap hole.
Worktop height is 25mm, basin height is 15mm.

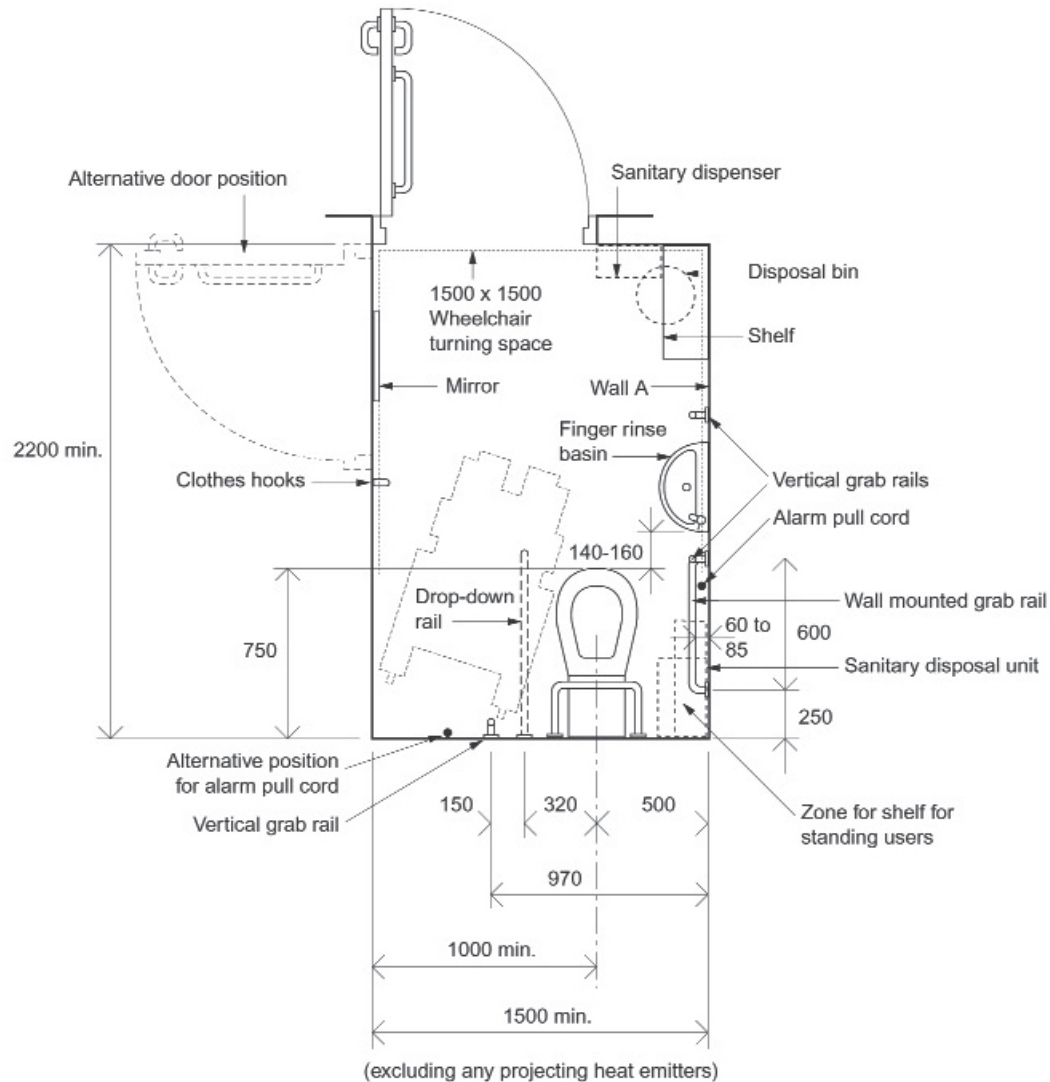
Colour samples



Dark elm Gloss white Gloss grey Wenge

Although every effort is made not to change the above product specification, Lecico reserve the right to do so without prior notification if necessary.

What is DocM?



Note
Layout for right hand transfer to WC

Document M of the building regulations (2004) and BS 8300-2009 provide government guidance on the layouts of an accessible wash-room in non-domestic settings. It ensures consistent levels of installation and function designed for the less-abled user.

The average wheelchair seat is 480mm from the ground. Our DocM toilets are designed to the same height to allow ease of transfer to, and more importantly, from the WC.

The WC:

- Must have a 750mm projection.
- Single operation flushing volume.
- No lid on the seat.
- Easy to operate - dimple lever.
- Raised height to ensure ease of transfer.
- Most importantly the WC must be accessible.

The basin:

- Left or right handed depending on the room layout (tap closest to the WC).
- The basin located near to the WC to facilitate operation before, during and after use of the toilet.

The tap:

- Easy to operate - sequential lever.
- Located nearest to the WC.

The Rails:

- The colour of the rails need to provide a sufficient contrast to the background colour.
- A plus or minus of 30 points in LRV (Light reflective value) is suggested to aid people with impaired vision. Our rails are available in five finishes: white, grey, dark blue, polished stainless steel and satin stainless steel.





Economy packs	254-257
Standard packs	258-263
Deluxe packs	264-267
Peninsular packs	268-271
Ambulant packs	272-275
Shower packs	276-279
Grab rails	280-287

Economy packs



CI/SFB
(74)



DocM right or left handed basin:
Details on page 220

DocM close coupled WC with lever cistern:
Details on page 92

DocM grab rails:
Details on page 280

Sequential mixer tap:
Details on page 342

Overview:

Document M of the building regulations (2004) and BS 8300-2009 provide government guidance on the layouts of an accessible wash-room in non-domestic settings. It ensures consistent levels of installation and function designed for all users.

Key product features:

- Left or right handed 46cm basin
- Left or right handed lever cistern
- Dimple lever
- LANTAC approved

Product:	CC Economy DocM pack
White pack code:	EDOCM
Blue pack code:	EDOCMBR
Grey pack code:	EDOCMGR
Weight in kg:	53.5
Colour:	Subject to choice
Material:	Vitreous china, mixed plastics and metals
Standard:	EN997-CL1-6A+CL2 & EN14688-CL00
DOP:	WCC2 & WBVC5
BiM download:	✓
CAD download:	✓
Flushing volume:	6ltr single flush
Flushing mechanism:	Dimple lever
Inlet:	Bottom inlet - LH or RH
WRAS:	All Lecico fittings are WRAS approved
Tap holes:	Two tap hole basin supplied with 1x white blanking plug
Tap:	Sequential lever tap (not TMV3)

Colour samples



White
RAL9016
LRV - 87.67



Blue
RAL5011
LRV - 5.52



Grey
RAL7005
LRV - 18.52

All dimensions are approximate and subject to normal ceramic variation.

Although every effort is made not to change the above product specification, Lecico reserve the right to do so without prior notification if necessary.

Economy packs



CI/SFB	(74)		
--------	------	--	--



DocM right or left handed basin:
Details on page 220

DocM low level WC with lever cistern:
Details on page 144

DocM grab rails:
Details on page 280

Sequential mixer tap:
Details on page 342

Overview:

Document M of the building regulations (2004) and BS 8300-2009 provide government guidance on the layouts of an accessible wash-room in non-domestic settings. It ensures consistent levels of installation and function designed for all users.

Key product features:

- Left or right handed 46cm basin
- Left or right handed lever cistern
- Dimple lever
- LANTAC approved

Product:	LL Economy DocM pack
White pack code:	LLEDOCM
Blue pack code:	LLEDOCMBR
Grey pack code:	LLEDOCMGR
Weight in kg:	55
Colour:	Subject to choice
Material:	Vitreous china, mixed plastics and metals
Standard:	EN997-CL1-6A+CL2 & EN14688-CL00
DOP:	WCBTW1 & WBVC5
BiM download:	✓
CAD download:	✓
Flushing volume:	6ltr single flush
Flushing mechanism:	Dimple lever
Inlet:	Side inlet - LH or RH
WRAS:	All Lecico fittings are WRAS approved
Tap holes:	Two tap hole basin supplied with 1x white blanking plug
Tap:	Sequential lever tap (non TMV3)

Colour samples



White RAL9016 LRV - 87.67	Blue RAL5011 LRV - 5.52	Grey RAL7005 LRV - 18.52
---------------------------------	-------------------------------	--------------------------------

All dimensions are approximate and subject to normal ceramic variation. Although every effort is made not to change the above product specification, Lecico reserve the right to do so without prior notification if necessary.

Standard packs



CI/SFB
(74)



DocM 51cm left handed basin:

Details on page 222

DocM close coupled WC with lever cistern:

Details on page 92

DocM grab rails:

Details on page 280

Sequential mixer tap:

Details on page 342

Overview:

Document M of the building regulations (2004) and BS 8300-2009 provide government guidance on the layouts of an accessible wash-room in non-domestic settings. It ensures consistent levels of installation and function designed for all users.

Key product features:

- Choice of left or right handed 51cm basin
- Left or right handed lever cistern
- Dimple lever
- LANTAC approved

Product:	CC Standard DocM pack LH	CC standard DocM pack RH
White pack code:	DOCM51LH	DOCM51RH
Blue pack code:	DOCM51LHBL	DOCM51RHBL
Grey pack code:	DOCM51LHGR	DOCM51RHGR
Polished S/S pack code:	DOCM51LHPSS	DOCM51RHPS
Satin S/S pack code:	DOCM51LHSS	DOCM51RHSS
Weight in kg:	60	
Colour:	Subject to choice	
Material:	Vitreous china, mixed plastics and metals	
Standard:	EN997-CL1-6A+CL2 & EN14688-CL00	
DOP:	WCC2 & WBVC5	
BiM download:	✓	✓
CAD download:	✓	✓
Flushing volume:	6ltr single flush	
Flushing mechanism:	Dimple lever	
Inlet:	Bottom inlet - LH or RH	
WRAS:	All Lecico fittings are WRAS approved	
Tap holes:	One - Left handed	One - Right handed
Tap:	Sequential lever tap (TMV3 blending valve included)	

Colour samples



White
RAL9016
LRV - 87.67

Blue
RAL5011
LRV - 5.52

Grey
RAL7005
LRV - 18.52

Polished S/S
LRV - 58

Satin S/S
LRV - 41

All dimensions are approximate and subject to normal ceramic variation.

Although every effort is made not to change the above product specification, Lecico reserve the right to do so without prior notification if necessary.

Standard packs



DocM 45cm right handed basin:
Details on page 222

Sequential mixer tap:
Details on page 342

DocM close coupled WC with lever cistern:
Details on page 92

DocM grab rails:
Details on page 280

CI/SFB	(74)		
--------	------	--	--

Overview:

Document M of the building regulations (2004) and BS 8300-2009 provide government guidance on the layouts of an accessible wash-room in non-domestic settings. It ensures consistent levels of installation and function designed for all users.

Key product features:

- Choice of left or right handed 45cm basin
- Left or right handed lever cistern
- Dimple lever
- LANTAC approved
- Anti-lateral seat
- Concealed rail fixings

Product:	CC Standard DocM pack LH	CC standard DocM pack RH
White pack code:	DOCM45LH	DOCM45RH
Blue pack code:	DOCM45LHBL	DOCM45RHBL
Grey pack code:	DOCM45LHGR	DOCM45RHGR
Polished S/S pack code:	DOCM45LHPSS	DOCM45RHPSS
Satin S/S pack code:	DOCM45LHSS	DOCM45RHSS
Weight in kg:	57.5	
Colour:	Subject to choice	
Material:	Vitreous china, mixed plastics and metals	
Standard:	EN997-CL1-6A+CL2 & EN14688-CL00	
DOP:	WCC2 & WBVC5	
BiM download:	✓	✓
CAD download:	✓	✓
Flushing volume:	6ltr single flush	
Flushing mechanism:	Dimple lever	
Inlet:	Bottom inlet - LH or RH	
WRAS	All Lecico fittings are WRAS approved	
Tap holes:	One - Left handed	One - Right handed
Tap:	Sequential lever tap (TMV3 blending valve included)	

Colour samples

White RAL9016 LRV - 87.67	Blue RAL5011 LRV - 5.52	Grey RAL7005 LRV - 18.52	Polished S/S LRV - 58	Satin S/S LRV - 41

All dimensions are approximate and subject to normal ceramic variation. Although every effort is made not to change the above product specification, Lecico reserve the right to do so without prior notification if necessary.

Standard packs



CI/SFB	(74)		
--------	------	--	--



DocM 45cm left handed basin:

Details on page 222

DocM low level WC with lever cistern:

Details on page 92

DocM grab rails:

Details on page 280

Sequential mixer tap:

Details on page 342

Overview:

Document M of the building regulations (2004) and BS 8300-2009 provide government guidance on the layouts of an accessible wash-room in non-domestic settings. It ensures consistent levels of installation and function designed for all users.

Key product features:

- Choice of left or right handed 45cm basin
- Left or right handed lever cistern
- Dimple lever
- LANTAC approved
- Anti-lateral seat
- Concealed rail fixings

Product:	LL Standard DocM pack LH	LL standard DocM pack RH
White pack code:	LLDOCMLH	LLDOCMRH
Blue pack code:	LLDOCMLHBL	LLDOCMRHBL
Grey pack code:	LLDOCMLHGR	LLDOCMRHGR
Polished S/S pack code:	LLDOCMLHPSS	LLDOCMRHPS
Satin S/S pack code:	LLDOCMLHSS	LLDOCMRHSS
Weight in kg:	59	
Colour:	Subject to choice	
Material:	Vitreous china, mixed plastics and metals	
Standard:	EN997-CL1-6A+CL2 & EN14688-CL00	
DOP:	WCBTW1 & WBVC5	
BiM download:	✓	✓
CAD download:	✓	✓
Flushing volume:	6ltr single flush	
Flushing mechanism:	Dimple lever	
Inlet:	Side inlet - LH or RH	
WRAS:	All Lecico fittings are WRAS approved	
Tap holes:	One - Left handed	One - Right handed
Tap:	Sequential lever tap (TMV3 blending valve included)	

Colour samples

White RAL9016 LRV - 87.67	Blue RAL5011 LRV - 5.52	Grey RAL7005 LRV - 18.52	Polished S/S LRV - 58	Satin S/S LRV - 41

All dimensions are approximate and subject to normal ceramic variation. Although every effort is made not to change the above product specification, Lecico reserve the right to do so without prior notification if necessary.

Deluxe packs



DocM 45cm left handed basin:

Details on page 222

TMV3 Sequential mixer tap:

Details on page 344

DocM Rimless close coupled WC with lever cistern:

Details on page 94

DocM grab rails:

Details on page 286

CI/SFB	(74)
--------	------

Overview:

Document M of the building regulations (2004) and BS 8300-2009 provide government guidance on the layouts of an accessible wash-room in non-domestic settings. It ensures consistent levels of installation and function designed for all users.

Key product features:

- Choice of left or right handed 45cm basin
- Left or right handed lever cistern
- Dimple lever
- LANTAC approved
- Anti-lateral seat
- Concealed rail fixings

Product:	CC Rimless DocM pack LH	CC Rimless DocM pack RH
White pack code:	DOCM750CCLH	DOCM750CCRH
Blue pack code:	DOCM750CCLHBL	DOCM750CCRHBL
Grey pack code:	DOCM750CCLHGR	DOCM750CCRHGR
Polished S/S pack code:	DOCM750CCLHPSS	DOCM750CCRHPSS
Satin S/S pack code:	DOCM750CCLHSS	DOCM750CCRHSS
Weight in kg:	75.1	
Colour:	Subject to choice	
Material:	Vitreous china, mixed plastics and metals	
Standard:	EN997-CL1-4-VRII+CL2 & EN14688-CL00	
DOP:	WCC2 & WBVC5	
BiM download:	✓	✓
CAD download:	✓	✓
Flushing volume:	4ltr single flush	
Flushing mechanism:	Dimple lever	
Inlet:	Bottom inlet - LH or RH	
WRAS:	All Lecico fittings are WRAS approved	
Tap holes:	One - Left handed	One - Right handed
Tap:	TMV3 sequential lever tap with copper tails	

Colour samples



White
RAL9016
LRV - 87.67

Blue
RAL5011
LRV - 5.52

Grey
RAL7005
LRV - 18.52

Polished S/S
LRV - 58

Satin S/S
LRV - 41

All dimensions are approximate and subject to normal ceramic variation.

Although every effort is made not to change the above product specification, Lecico reserve the right to do so without prior notification if necessary.

Deluxe packs



DocM 45cm left handed basin:

Details on page 222

TMV3 Sequential mixer tap:

Details on page 344

DocM Rimless back to wall WC with concealed lever cistern:

Details on page 94 & 402

DocM grab rails:

Details on page 286

CI/SFB	(74)
--------	------

Overview:

Document M of the building regulations (2004) and BS 8300-2009 provide government guidance on the layouts of an accessible wash-room in non-domestic settings. It ensures consistent levels of installation and function designed for all users.

Key product features:

- Choice of left or right handed 45cm basin
- Left or right handed lever cistern
- Dimple lever
- LANTAC approved
- Anti-lateral seat
- Concealed rail fixings

Product:	BTW Rimless DocM pack LH	BTW Rimless DocM pack RH
White pack code:	DOCM750BTWLH	DOCM750BTWRH
Blue pack code:	DOCM750BTWLHBL	DOCM750BTWRHBL
Grey pack code:	DOCM750BTWLHGR	DOCM750BTWRHGR
Polished S/S pack code:	DOCM750BTWLHPSS	DOCM750BTWRHPSS
Satin S/S pack code:	DOCM750BTWLHSS	DOCM750BTWRHSS
Weight in kg:	67.2	
Colour:	Subject to choice	
Material:	Vitreous china, mixed plastics and metals	
Standard:	EN997-CL1-4-VRII+CL2 & EN14688-CL00	
DOP:	WBTW1 & WBVC5	
BiM download:	✓	✓
CAD download:	✓	✓
Flushing volume:	4ltr flush	
Flushing mechanism:	Concealed cistern & Dimple lever	
Inlet:	Bottom inlet	
WRAS:	All Lecico fittings are WRAS approved	
Tap holes:	One - Left handed	One - Right handed
Tap:	TMV3 sequential lever tap with copper tails	

Colour samples



White
RAL9016
LRV - 87.67

Blue
RAL5011
LRV - 5.52

Grey
RAL7005
LRV - 18.52

Polished S/S
LRV - 58

Satin S/S
LRV - 41

All dimensions are approximate and subject to normal ceramic variation.

Although every effort is made not to change the above product specification, Lecico reserve the right to do so without prior notification if necessary.

Peninsular packs



DocM 51cm right handed basin:
Details on page 222

TMV3 Sequential mixer tap:
Details on page 344

DocM Rimless close coupled WC with lever cistern:
Details on page 94

DocM grab rails:
Details on page 286

CI/SFB	(74)
--------	------

Overview:

Document M of the building regulations (2004) and BS 8300-2009 provide government guidance on the layouts of an accessible wash-room in non-domestic settings. It ensures consistent levels of installation and function designed for all users.

Key product features:

- Choice of left or right handed 51cm basin
- Left or right handed lever cistern
- Dimple lever
- LANTAC approved
- Anti-lateral seat
- Concealed rail fixings

Product:	CC Peninsular pack LH	CC Peninsular pack RH
White pack code:	DOCOMPENCCLH	DOCOMPENCCRH
Blue pack code:	DOCOMPENCCLHBL	DOCOMPENCCRHBL
Grey pack code:	DOCOMPENCCLHGR	DOCOMPENCCRHGR
Polished S/S pack code:	DOCOMPENCCLHPSS	DOCOMPENCCRHPSS
Satin S/S pack code:	DOCOMPENCCLHSS	DOCOMPENCCRHSS
Weight in kg:	77.5	
Colour:	Subject to choice	
Material:	Vitreous china, mixed plastics and metals	
Standard:	EN997-CL1-4-VRII+CL2 & EN14688-CL00	
DOP:	WCC2 & WBVC5	
BiM download:	✓	✓
CAD download:	✓	✓
Flushing volume:	4ltr single flush	
Flushing mechanism:	Dimple lever	
Inlet:	Bottom inlet - LH or RH	
WRAS:	All Lecico fittings are WRAS approved	
Tap holes:	One - Left handed	One - Right handed
Tap:	TMV3 sequential lever tap with copper tails	

Colour samples

White RAL9016 LRV - 87.67	Blue RAL5011 LRV - 5.52	Grey RAL7005 LRV - 18.52	Polished S/S LRV - 58	Satin S/S LRV - 41

All dimensions are approximate and subject to normal ceramic variation. Although every effort is made not to change the above product specification, Lecico reserve the right to do so without prior notification if necessary.

Peninsular packs



CI/SFB	(74)		
--------	------	--	--



DocM 45cm left handed basin:
Details on page 222

TMV3 Sequential mixer tap:
Details on page 344

DocM Rimless back to wall WC with concealed lever cistern:
Details on page 94 & 402

DocM grab rails:
Details on page 286

Overview:

Document M of the building regulations (2004) and BS 8300-2009 provide government guidance on the layouts of an accessible wash-room in non-domestic settings. It ensures consistent levels of installation and function designed for all users.

Key product features:

- Choice of left or right handed 51cm basin
- Left or right handed lever cistern
- Dimple lever
- LANTAC approved
- Anti-lateral seat
- Concealed rail fixings

Product:	BTW Peninsular pack LH	BTW Peninsular pack RH
White pack code:	DOCMENBTWLH	DOCMENBTWRH
Blue pack code:	DOCMENBTWLHBL	DOCMENBTWRHBL
Grey pack code:	DOCMENBTWLHGR	DOCMENBTWRHGR
Polished S/S pack code:	DOCMENBTWLHPSS	DOCMENBTWRHPSS
Satin S/S pack code:	DOCMENBTWLHSS	DOCMENBTWRHSS
Weight in kg:	69.6	
Colour:	Subject to choice	
Material:	Vitreous china, mixed plastics and metals	
Standard:	EN997-CL1-4-VRII+CL2 & EN14688-CL00	
DOP:	WCBTW1 & WBVC5	
BiM download:	✓	✓
CAD download:	✓	✓
Flushing volume:	4ltr flush	
Flushing mechanism:	Concealed cistern & Dimple lever	
Inlet:	Bottom inlet	
WRAS:	All Lecico fittings are WRAS approved	
Tap holes:	One - Left handed	One - Right handed
Tap:	TMV3 sequential lever tap with copper tails	

Colour samples

White RAL9016 LRV - 87.67	Blue RAL5011 LRV - 5.52	Grey RAL7005 LRV - 18.52	Polished S/S LRV - 58	Satin S/S LRV - 41

All dimensions are approximate and subject to normal ceramic variation. Although every effort is made not to change the above product specification, Lecico reserve the right to do so without prior notification if necessary.

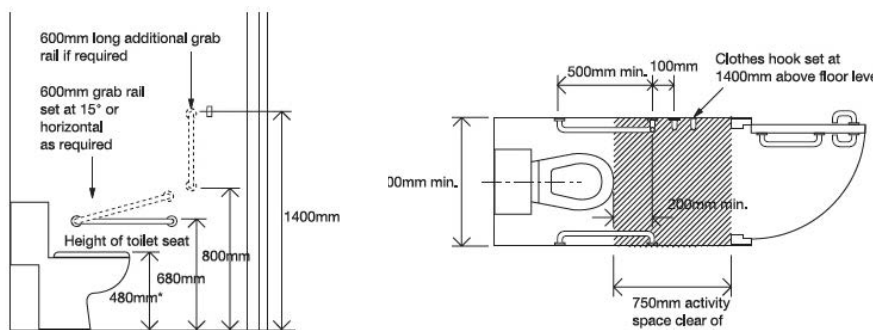
Ambulant packs



CI/SFB	(74)		
--------	------	--	--



Shown: Rimless 750mm close coupled WC which is included in the ambulant pack



*Height subject to manufacturing tolerance of WC pan

Overview:

DocM ambulant WC's provide accessible convenience for the walking impaired. They bridge the gap between a full DocM and a standard WC. They feature a raised height WC with supporting grab rails. Ambulant cubicles provide sufficient space for those who are able to walk, but require additional assistance; these types of installation are not suitable for wheelchair users due to the restricted space.

Key product features:

- CE and HBN 00-10 Part C Compliant
- Raised height
- Close coupled WC

Product:	White	Blue	Grey
Code:	DOCMAMB	DOCMAMBBR	DOCMAMBGR
Weight in kg:	52.5		
Ceramic colour:	White		
Rail colour:	White	Blue	Grey
Seat colour:	White	Blue	Grey
Material:	WC - Vitreous china / Grab rails - Steel / Seat - Plastic		
Standard:	EN997-CL1-4-VR11+CL2		
DOP:	WCC2		
BiM download:	Available for Close coupled WC		
CAD download:	Available for Close coupled WC		
Flushing volume:	4ltr single flush		
Flushing mechanism:	Lever action - Left or right hand dimple lever		
Inlet:	Bottom inlet - LH or RH		
WRAS:	All Lecico fittings are WRAS approved		
Pack includes:	Close coupled WC / Anti-lateral ring seat / 3 x 600mm grab rails / 1 x 450mm grab rail / 1 x Robe hook in matching colour		

Colour samples

White	Blue	Grey
RAL9016	RAL5011	RAL7005
LRV - 87.67	RV - 5.52	RV - 18.52

Special notes

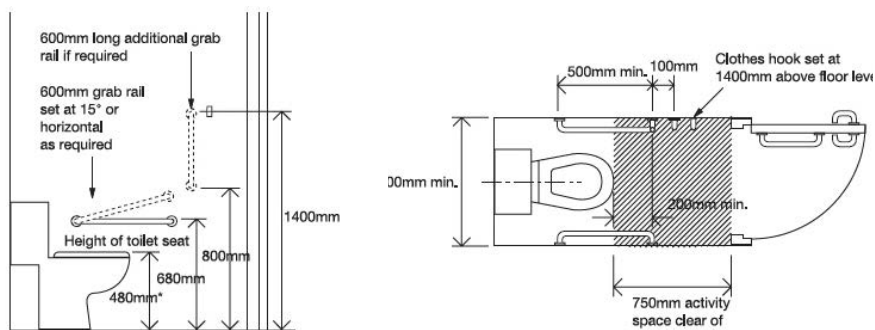
Pan fixes to floor using side fixing bracket supplied with pan.
Seat for the WC includes a top fix hinge to make installation and cleaning easy.

All dimensions are approximate and subject to normal ceramic variation. Although every effort is made not to change the above product specification, Lecico reserve the right to do so without prior notification if necessary.

Ambulant packs



Shown: Rimless 560mm back to wall WC which is included in the ambulant pack



*Height subject to manufacturing tolerance of WC pan

CI/SFB	(74)		
--------	------	--	--

Overview:

DocM ambulant WC's provide accessible convenience for the walking impaired. They bridge the gap between a full DocM and a standard WC. They feature a raised height WC with supporting grab rails. Ambulant cubicles provide sufficient space for those who are able to walk, but require additional assistance; these types of installation are not suitable for wheelchair users due to the restricted space.

Key product features:

- CE and HBN 00-10 Part C Compliant
- Raised height
- Back to wall WC

Product:	White	Blue	Grey
Code:	DOCMAMBTWWH	DOCMAMBBTWBR	DOCAMBTWGR
Weight in kg:	26		
Ceramic colour:	White		
Rail colour:	White	Blue	Grey
Seat colour:	White	Blue	Grey
Material:	WC - Vitreous china / Grab rails - Steel / Seat - Plastic		
Standard:	EN997-CL1-4A+CL2		
DOP:	WCBTW2		
BiM download:	Available for BTW WC		
CAD download:	Available for BTW WC		
Flushing volume:	4/2.6ltr standard		
Flushing mechanism:	Lever action - Left or right hand dimple lever		
Inlet:	Bottom inlet		
WRAS:	All Lecico fittings are WRAS approved		
Pack includes:	BTW WC / Concealed cistern / Anti-lateral ring seat / 3 x 600mm grab rails / 1 x 450mm grab rail / 1 x Robe hook in matching colour		

Colour samples

White	Blue	Grey
RAL9016	RAL5011	RAL7005
LRV - 87.67	RV - 5.52	RV - 18.52

Special notes

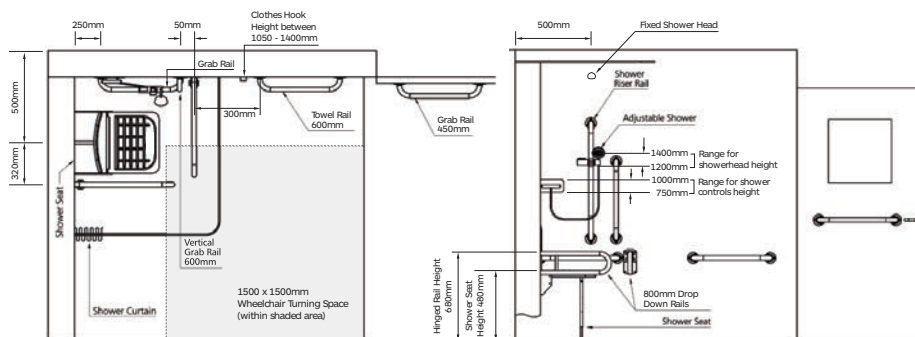
Pan fixes to floor using side fixing bracket supplied with pan.
Seat for the WC includes a top fix hinge to make installation and cleaning easy.

All dimensions are approximate and subject to normal ceramic variation. Although every effort is made not to change the above product specification, Lecico reserve the right to do so without prior notification if necessary.



Shown for illustration: Concealed shower pack: SHWRPKCONBL

Room Layout



Drawings are for guidance only, please refer to relevant building regulations.

Overview:

The Lecico shower pack contains all of the components required to ensure compliance to DocM and BS8300:2009. This pack contains a concealed shower valve and concealed fixings on grab rails.

Key product features:

- DocM & BS8300:2009 compliant
- TMV3 approved shower
- Padded seat

Product:	CONCEALED SHOWER PACK
White pack:	SHWRPKCONWH
Blue pack:	SHWRPKCONBL
Grey pack:	SHWRPKCONGR
Polished SS pack:	SHWRPKCONSP
Satin SS pack:	SHWRPKCONSS
Weight in kg:	28.5
Material:	Mixed
Standard:	n/a
DOP:	n/a
BiM download:	n/a
CAD download:	n/a

Content:

- 1x Concealed thermostatic sequential shower valve
- 1x Concealed two way diverter valve
- 1x Vandal resistant fixed shower head & feed pipe
- 1x Riser kit with shower head and hose
- 2x Trombone stainless steel hinged support rail
- 3x 600mm Round flange stainless steel grab rail with concealed fixing
- 1x 450mm Round flange stainless steel grab rail with concealed fixing
- 1x 900mm Round flange stainless steel grab rail with concealed fixing
- 1x Slider bracket
- 1x Shower curtain rail
- 2x Weighted shower curtains
- 1x DocM padded shower seat with legs
- 1x Robe hook

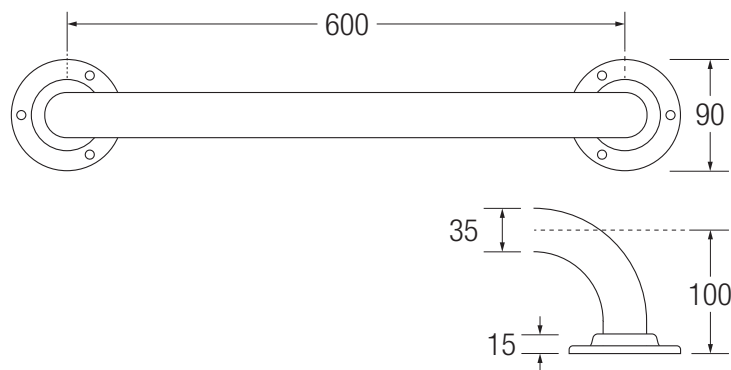
Colour samples

White RAL9016 LRV - 87.67	Blue RAL5011 LRV - 5.52	Grey RAL7005 LRV - 18.52	Polished S/S LRV - 58	Satin S/S LRV - 41

Although every effort is made not to change the above product specification, Lecico reserve the right to do so without prior notification if necessary.



600mm steel grab rail with 35mm dia tube
EDMWHGRAB



Overview:

Designed with the user in mind, these grab rails help to provide extra points of contact around the room making the bathroom more accessible. These rails are for use where additional assistance may be required.

Key product features:

- 600mm length
- Exposed fixings
- Colour options detailed below provide contrast options from the wall

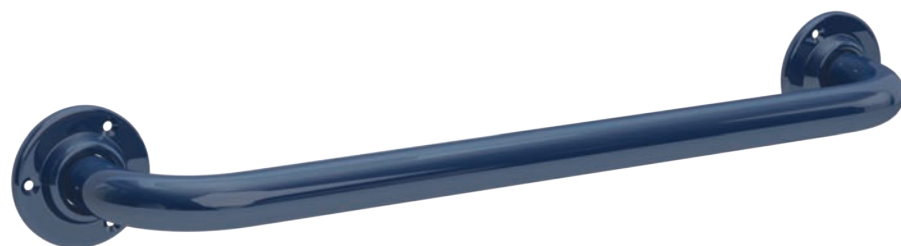
Product:	600mm grab rail - exposed fixings
White code:	EDMWHGRAB
Blue code:	EDMBGRAB
Grey code:	EDMGRGRAB
Weight:	1
Material:	Steel
Standard:	n/a
DOP:	n/a
BiM download:	x
CAD download	x
White multi pack code:	EDMWHPACK - 5x 600mm rail & hinge support rail
Blue multi pack code:	EDMBLPACK- 5x 600mm rail & hinge support rail
Grey multi pack code:	EDMGRPACK- 5x 600mm rail & hinge support rail

See page 284 for hinge rail details

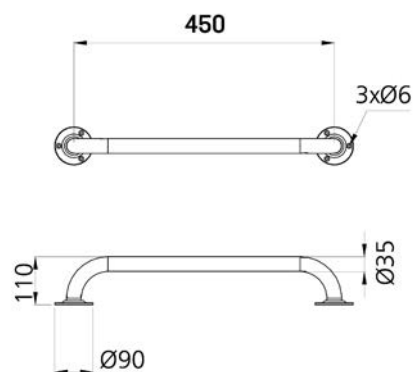
Colour samples

White RAL9016 LRV - 87.67	Blue RAL5011 RV - 5.52	Grey RAL7005 RV - 18.52

Although every effort is made not to change the above product specification, Lecico reserve the right to do so without prior notification if necessary.



Shown: 450mm steel grab rail with 35mm dia tube
DGRAIL45DB



Overview:

Designed with the user in mind, these grab rails help to provide extra points of contact around the room making the bathroom more accessible. These rails are for use where additional assistance may be required.

Key product features:

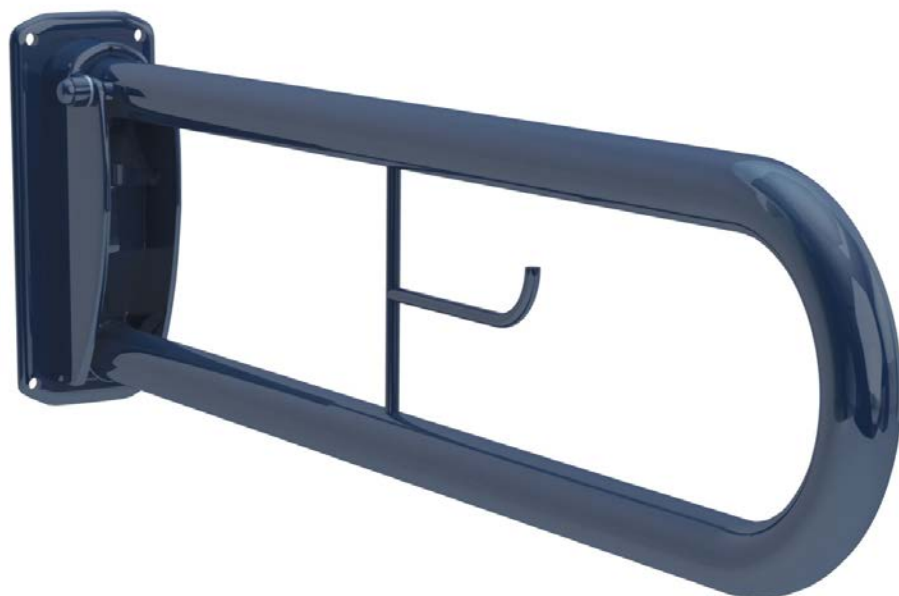
- 450mm length

Product:	White	Blue	Grey
Code:	DGRAIL45W	DGRAIL45DB	DGRAIL45GR
Weight in kg:	0.8	0.8	0.8
Colour:	White	Blue	Grey
Material:	Steel		
Standard:	n/a		
DOP:	n/a		
BiM download:	n/a		
CAD download:	n/a		

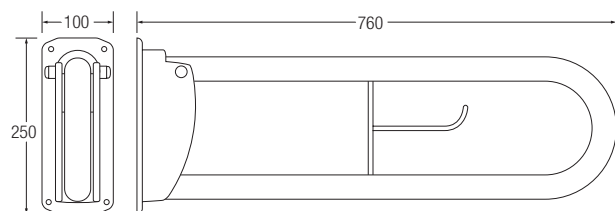
Colour samples

White RAL9016 LRV - 87.67	Blue RAL5011 RV - 5.52	Grey RAL7005 RV - 18.52

Although every effort is made not to change the above product specification, Lecico reserve the right to do so without prior notification if necessary.



Hinged support rail
EDMBHRAIL



Overview:

Designed with the user in mind, these hinged drop down rails help with transferring to and from the WC. This rail includes a handy toilet roll holder.

Key product features:

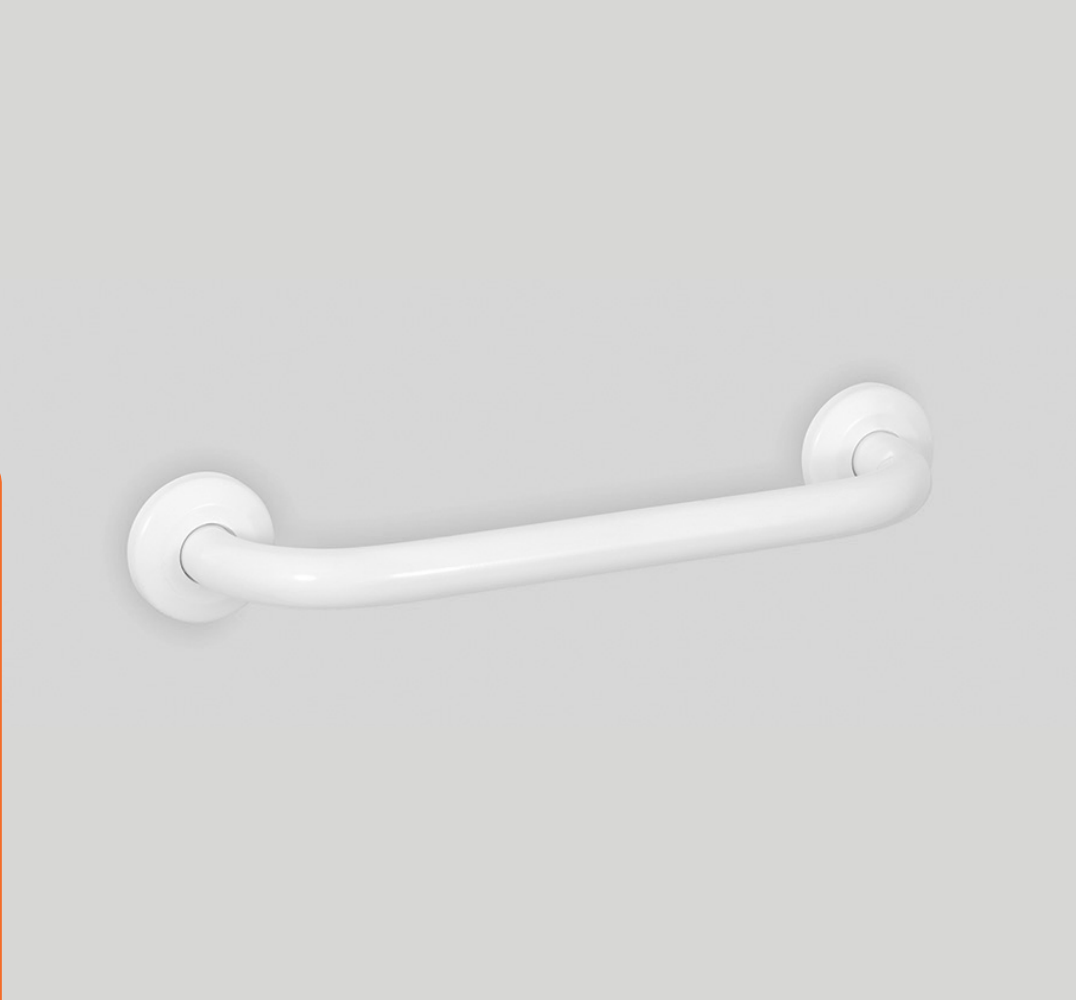
- Drop down hinged rail
- Available in a choice of finishes
- Built in toilet roll holder

Product:	Drop down hinged rail
White code:	EDMWHHRAIL
Blue code:	EDMBHRAIL
Grey code:	EDMGRHRAIL
Polished stainless steel:	EDMPSHRAIL
Satin stainless steel:	EDMSSHRAIL
Weight in kg:	2.8
Colour:	Varied
Material:	Steel
Standard:	n/a
DOP:	n/a
BiM download:	n/a
CAD download:	n/a
White pack:	EDMWHPACK - 5x 600mm and Hinged drop down rail
Blue pack:	EDMBLPACK - 5x 600mm and Hinged drop down rail
Grey pack:	EDMGRPACK - 5x 600mm and Hinged drop down rail
Polished steel pack:	EDMPSSPACK - 5x 600mm and Hinged drop down rail
Satin steel pack:	EDMSSPACK - 5x 600mm and Hinged drop down rail

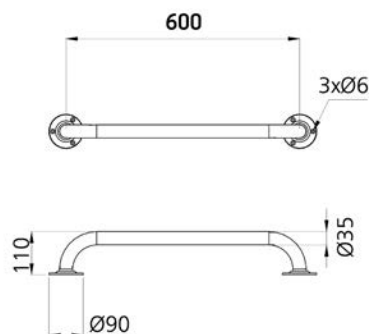
Colour samples



Although every effort is made not to change the above product specification, Lecico reserve the right to do so without prior notification if necessary.



600mm steel grab rail with 35mm dia tube
DGRAIL60CONSSWH



Overview:

Designed with the user in mind, these grab rails with concealed fixings help to provide extra points of contact around the room making the bathroom more accessible. These rails are for use where additional assistance may be required.

Key product features:

- 600mm length
- concealed fixings

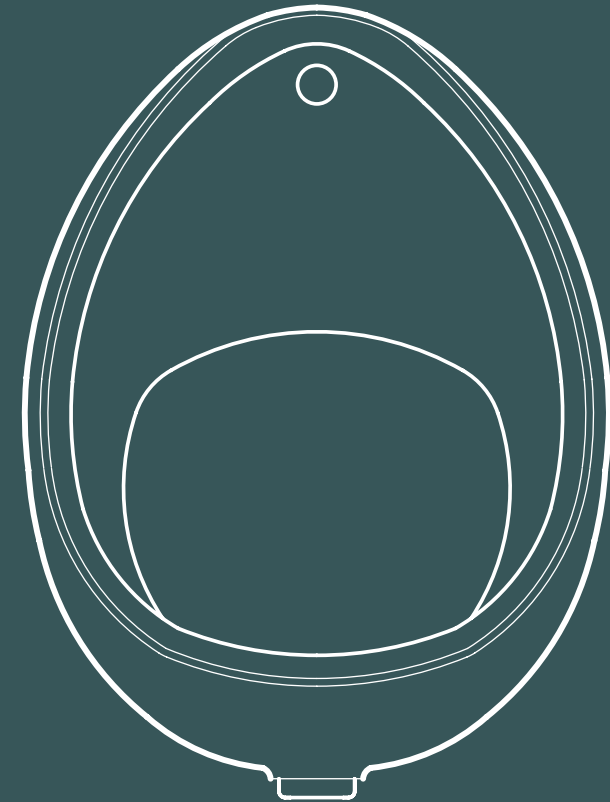
Product:	600mm grab rail - concealed fixings
White code:	DGRAIL60CONSSWH
Blue code:	DGRAIL60CONSSDB
Grey code:	DGRAIL60CONSSGR
Polish S/S code:	DGRAIL60CONPSS
Satin S/S code:	DGRAIL60CONSS
Weight:	1
Material:	Stainless steel
Standard:	n/a
DOP:	n/a
BiM download:	n/a
CAD download	n/a
White multi pack code:	EDMWHPACKCON - 5x 600mm rail & hinge support rail
Blue multi pack code:	EDMBLPACKCON- 5x 600mm rail & hinge support rail
Grey multi pack code:	EDMGRPACKCON- 5x 600mm rail & hinge support rail
Polish S/S multi pack code:	EDMPSSPACKCON- 5x 600mm rail & hinge support rail
Satin S/S multi pack code:	EDMSSPACKCON- 5x 600mm rail & hinge support rail

Colour samples

White RAL9016 LRV - 87.67	Blue RAL5011 LRV - 5.52	Grey RAL7005 LRV - 18.52	Polished S/S LRV - 58	Satin S/S LRV - 41

Although every effort is made not to change the above product specification, Lecico reserve the right to do so without prior notification if necessary.

Urinals



Round bowls	290-295
Square bowls	296-299
Header tanks	300-303
Boxed sets	304-305
Waterless	306-309
Slab	310-311



Overview:

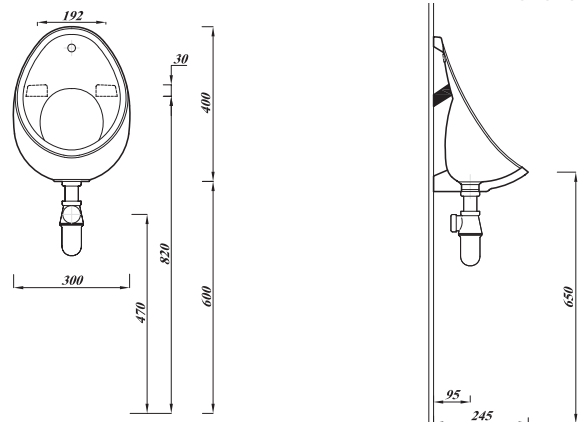
This junior urinal is ideal for schools and commercial settings. Its smaller size makes it perfect for younger users.

Key product features:

- Exposed or concealed inlet
- CE Compliant
- Junior design
- Waterless option available
- Pick up-packs available

Product:	40cm Urinal	Cistern	Spreader
Code:	URBOW40	URCI4.5	URTIS / URBIS*
Weight in kg:	6.3	6.5	0.2 / 0.4
Colour:	White		Chrome
Material:	Vitreous china		Metal
Standard:	BS5520, BS3402, EN13407-CL2-III-4.5B		n/a
DOP:	URL2		n/a
BiM download:	✓	✓	×
CAD download:	✓	✓	×
Flushing volume:	Up to three bowls: 4.5ltr / Up to five bowls: 9ltr		
Flushing mechanism:	Autosyphon		
Waste:	38mm (1 ^{1/2} ") waste outlet / 32mm (1 ^{1/4} ") auto-cistern outlet		
WRAS:	All Lecico fittings are WRAS approved		
Extras:	White plastic waste: URDWP / Chrome waste: URDWC / Urinal separator: URSEP / Pipework: URPWS / Hanging brackets: BRACK		
Pick up pack codes:	(1 Bowl) UR40BOX1TOGO (2 Bowl) UR40BOX2TOGO (3 Bowl) UR40BOX3TOGO (4 Bowl) UR40BOX4TOGO (5 Bowl) UR40BOX5TOGO		
Pack contents:	40cm urinal(s), exposed chrome pipework, fixings & cistern inc appropriate sized auto syphon		
Waterless option:	URWALES40		

Shown: 40cm junior urinal with exposed pipework
UR40BOX1TOGO
Chrome waste is an optional extra



Special notes

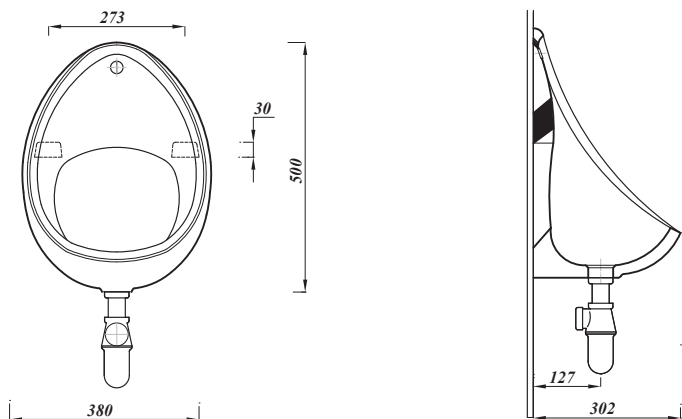
*URBIS is a back inlet spreader to be used in concealed installations with the use of a concealed cistern (with autosyphon) See page 416-417 for further details.
URTIS is a top inlet spreader for use in exposed installations (as shown in image left).

All dimensions are approximate and subject to normal ceramic variation. Although every effort is made not to change the above product specification, Lecico reserve the right to do so without prior notification if necessary.



Optional separator

Shown: 50cm urinals with exposed pipework
UR50BOX3TOGO



Overview:

This conventional urinal is perfect for any commercial settings. Its simple design makes it easy to clean and maintain. The use of an autosiphon prevents excessive flushing in high traffic areas. This urinal is also available in a waterless pack to take water saving to the max!

Key product features:

- Exposed or concealed inlet
- CE Compliant
- Waterless option available
- Pick up-packs available

Product:	50cm Urinal	Cistern	Spreader
Code:	URBOW50	URCI4.5	URTIS / URBIS*
Weight in kg:	10	6.5	0.2 / 0.4
Colour:	White		Chrome
Material:	Vitreous china		Metal
Standard:	BS5520, BS3402, EN13407-CL2-III-4.5B		n/a
DOP:	URL2		n/a
BiM download:	✓	✓	×
CAD download:	✓	✓	×
Flushing volume:	Up to two bowls: 4.5ltr Up to five bowls: 9ltr		
Flushing mechanism:	Autosiphon		
Waste:	38mm (1 ^{1/2} ") waste outlet / 32mm (1 ^{1/4} ") auto-cistern outlet		
WRAS:	Fittings are WRAS approved		
Extras:	White plastic waste: URDWP / Chrome waste: URDWC / Urinal separator: URSEP / Pipework: URPWS / Hanging brackets: BRACK		
Pick up pack codes:	(1 Bowl) UR50BOX1TOGO (2 Bowl) UR50BOX2TOGO (3 Bowl) UR50BOX3TOGO (4 Bowl) UR50BOX4TOGO (5 Bowl) UR50BOX5TOGO		
Pack contents:	50cm urinal(s), exposed chrome pipework, fixings & cistern inc appropriate sized auto syphon		
Waterless option:	URWALES500		

Special notes

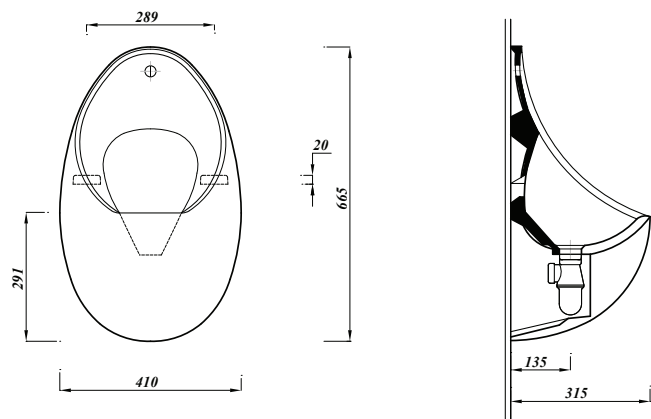
*URBIS is a back inlet spreader to be used in concealed installations with the use of a concealed cistern (with autosiphon) See page 416-417 for further details.

URTIS is a top inlet spreader for use in exposed installations (as shown in image left).

All dimensions are approximate and subject to normal ceramic variation. Although every effort is made not to change the above product specification, Lecico reserve the right to do so without prior notification if necessary.



Shown: 60cm urinal with urinal separator
UR60SET - URSEP



Overview:

Achieve a cleaner look by concealing pipework and wastes, to create an upmarket finish. This concealed urinal is perfect for all commercial settings. Its bold design makes it easy to clean and maintain.

Key product features:

- Exposed or concealed inlet
- CE Compliant
- Waterless option available
- Concealed waste

Product:	60cm Urinal	Cistern	Spreader
Code:	URBOW	URCONASYP1*	URBIS
Weight in kg:	14.6	2.2	0.6
Colour:	White		Chrome
Material:	Vitreous china		Metal
Standard:	BS5520, BS3402, EN13407-CL2-III-4.5B		n/a
DOP:	URL2		n/a
BiM download:	✓	✓	×
CAD download:	✓	✓	×
Flushing volume	Up to three bowls: 4.5ltr Up to five bowls: 9ltr		
Flushing mechanism	Autosyphon		
Waste:	38mm (1½") waste outlet		
WRAS	Fittings are WRAS approved		
Options:	Plastic waste: URDWP / Urinal separator: URSEP		
Waterless option:	URWALES600		

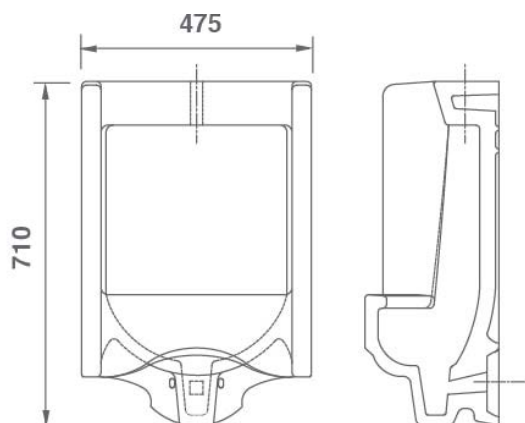
Special notes

*Although possible to use an exposed header tank, a more common installation utilises our concealed header tank (including autosyphon) see page 416-417 for full details and size options.

All dimensions are approximate and subject to normal ceramic variation. Although every effort is made not to change the above product specification, Lecico reserve the right to do so without prior notification if necessary.



Shown: Traditional urinal
URFLTRAD



Overview:

This traditional urinal is inspired by designs of yesteryear. Its bold classical design is hand finished from highly durable fireclay and is built to stand the test of time.

Key product features:

- Horizontal outlet
- CE Compliant
- Classical design
- Supplied with appropriate waste and inlet

Product:	Back inlet urinal	Top inlet urinal	Separator
Back inlet code:	URFLTRADBI	URFLTRAD	URSEP
Weight in kg:	54	54	8.3
Colour:	White		
Material:	Fireclay	Vitreous china	
Standard:	EN997		
DOP:	n/a	n/a	n/a
BiM download:	x	x	x
CAD download:	x	x	x
Flushing volume:	Up to two bowls: 4.5ltr Up to five bowls: 9ltr & 13ltrs thereafter		
Flushing mechanism:	Autosyphon		
Exposed header tank	n/a	URCI4.5*	n/a
Concealed header tank:	URCONASYP1*	n/a	n/a
Options:	Urinal separator: URSEP		

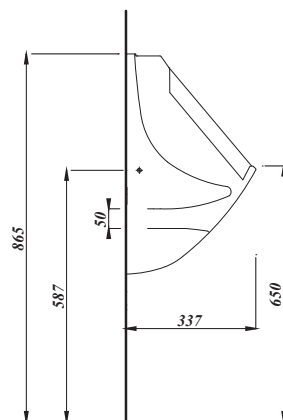
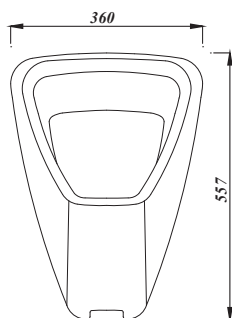
Special notes

* Header tanks shown are for a single/dual bowl installations larger cistern are available for multiple installations above this number.

All dimensions are approximate and subject to normal ceramic variation. Although every effort is made not to change the above product specification, Lecico reserve the right to do so without prior notification if necessary.



Shown: Square urinal with top inlet
URGEOTOPHO



Overview:

This stylish and modern wall mounted urinal is the perfect solution for commercial installations. Its modern squared design can add a contemporary look to the wash-rooms. These urinals are perfect for buildings like hotels, airports and offices etc.

Key product features:

- Top or back inlet
- CE Compliant
- Modern design
- Minimum 1ltr flushing volume
- Mains fed urinal

Product:	Top inlet - horizontal waste	Top inlet - Vertical waste	Back inlet - horizontal waste	Back inlet - Vertical waste
Code:	URGEOTOPHO	URGEOTOPVE	URGEOBACKHO	URGEOBACKVE
Weight in kg:	13.6		13.7	
Colour:	White			
Material:	Vitreous china			
Standard:	EN80-EN13407-CL1-1-1C			
DOP:	URL1			
BiM download:	x	x	x	x
CAD download:	x	x	x	x
Flushing volume	Min 1ltr			
Flushing mechanism	Manual flushing or PIR motion activated valve			
Waste:	48mm (1.9") Urinal outlet			
Options:	Urinal separator: URSEP			

Special notes

Urinal is supplied with appropriate waste, fixings and scented urinal mat

Top inlet urinal requires exposed flush valve such as - Inta IR2520CP

Back inlet urinal requires concealed flush valve such as - Inta IR2521CP



All dimensions are approximate and subject to normal ceramic variation.

Although every effort is made not to change the above product specification, Lecico reserve the right to do so without prior notification if necessary.



Overview:

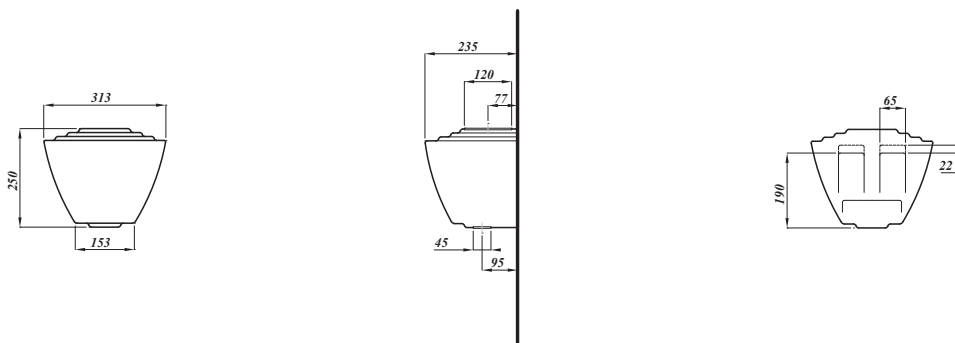
This small urinal header tank comes supplied with a 4.5ltr autosyphon. This removes the need for manual flushing and is perfect for high traffic areas.

Key product features:

- CE Compliant
- Classical design
- 38mm outlet
- Includes petcock
- No electric required

Product:	Header tank
Code:	URCI4.5
Weight in kg:	6.5
Colour:	White
Material:	Vitreous china
Standard:	BS5520, BS3402, EN13407-CL2-III-4.5B
DOP:	URL2
BiM download:	✓
CAD download:	✓
Flushing volume:	4.5ltr
Flushing mechanism:	Autosyphon
WRAS:	All Lecico fittings are WRAS approved

Shown: Small urinal header tank
URCI4.5



All dimensions are approximate and subject to normal ceramic variation. Although every effort is made not to change the above product specification, Lecico reserve the right to do so without prior notification if necessary.



Overview:

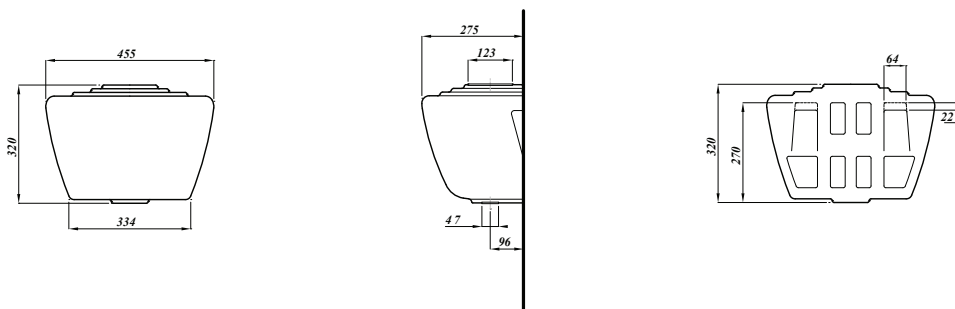
This large urinal header tank comes supplied with a 9ltr autosyphon. This removes the need for manual flushing and is perfect for high traffic areas where multiple urinals are running off one feed.

Key product features:

- CE Compliant
- Classical design
- 38mm outlet
- Includes petcock
- No electric required

Product:	Header tank
Code:	URCI9
Weight in kg:	11.9
Colour:	White
Material:	Vitreous china
Standard:	BS5520, BS3402, EN13407-CL2-III-4.5B
DOP:	URL2
BiM download:	✓
CAD download:	✓
Flushing volume:	9ltr
Flushing mechanism:	Autosyphon
WRAS:	All Lecico fittings are WRAS approved

Shown: Large urinal header tank
URCI9



All dimensions are approximate and subject to normal ceramic variation. Although every effort is made not to change the above product specification, Lecico reserve the right to do so without prior notification if necessary.



Overview:

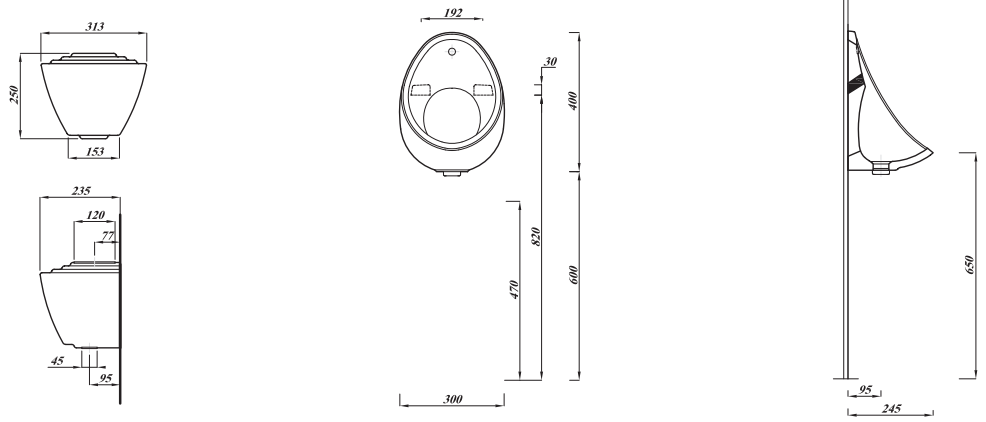
Pick up Urinal packs, a simple all in one urinal box set that includes everything you need for multiple urinal installations.

Key product features:

- Exposed inlet
- CE Compliant
- Pick up-packs

Product:	40cm Urinal	50cm Urinal
One bowl kit:	UR40BOX1TOGO	UR50BOX1TOGO
Weight:	16	21.2
Two bowl kit:	UR40BOX2TOGO	UR50BOX2TOGO
Weight:	31.8	37.2
Three bowl kit:	UR40BOX3TOGO	UR40BOX3TOGO
Weight:	39.5	48.7
Four bowl kit:	UR40BOX4TOGO	UR40BOX4TOGO
Weight:	44.1	57.8
Five bowl kit:	UR40BOX5TOGO	UR40BOX5TOGO
Weight:	50.4	67.8
Colour:	White & chrome	
Material:	Vitreous china & mixed plastics and metal	
Standard:	BS5520, BS3402, EN13407-CL2-III-4.5B	
DOP:	URL2	
BiM download:	✓	✓
CAD download:	✓	✓
Pack contents:	40cm Urinal, pipework, fixings, header tank and appropriate autosyphon	50cm Urinal, pipework, fixings, header tank and appropriate autosyphon

Shown: 50cm two bowl pick up pack
UR50BOX2TOGO



All dimensions are approximate and subject to normal ceramic variation. Although every effort is made not to change the above product specification, Lecico reserve the right to do so without prior notification if necessary.



Overview:

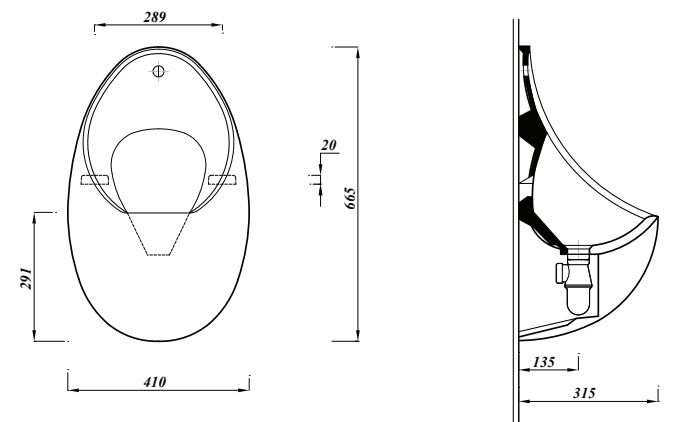
Waterless urinal kits help save massive amounts of water. A single waterless urinal can save 236,000 litres every year.

Key product features:

- CE Compliant
- Waterless
- Money saving

Product:	40cm Urinal	50cm Urinal	60cm Urinal
Code:	URWALES40	URWALES500	URWALES600
Weight in kg:	7.8	11.4	17
Colour:	White		
Material:	Vitreous china		
Standard:	BS5520, BS3402, EN13407-CL2-III-4.5B		
DOP:	URL2		
BiM download:	✓	✓	✓
CAD download:	✓	✓	✓
Flushing volume	Zero		
Flushing mechanism	Waterless		
Waste:	38mm (1½") waste outlet		
Options:	Replacement cartridge: WLESSCART / Urinal separator: URSEP		

Shown: 60cm waterless urinal
URWALES600



All dimensions are approximate and subject to normal ceramic variation. Although every effort is made not to change the above product specification, Lecico reserve the right to do so without prior notification if necessary.



Overview:

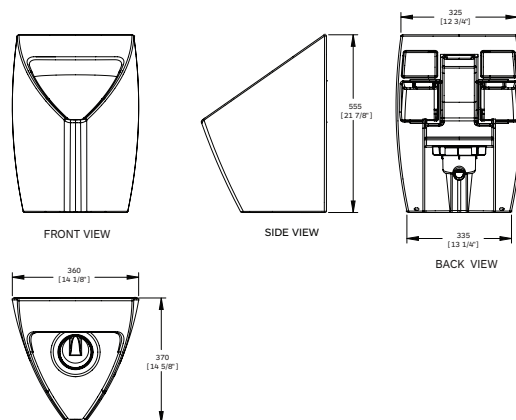
Where water saving is the objective, why not consider this waterless urinal. It requires no water supply whilst keeping the restroom virtually odour-free. Its unique design also reduces splash-back and prevents debris from entering the cartridge. A single urinal can save an average 236,000 litres of water every year.

Key product features:

- Waterless
- Modern geometric design
- Easy fit cartridge

Product:	Waterless urinal
Code:	URWLESS
Weight in kg:	22.7
Colour:	White
Material:	Vitreous china
Standard:	n/a
DOP:	n/a
BiM download:	x
CAD download:	x
Flushing volume:	Zero
Flushing mechanism:	n/a
Inlet:	n/a
WRAS:	n/a
Options:	Replacement cartridge: URWCART

Shown: Waterless urinal:
URWLESS



All dimensions are approximate and subject to normal ceramic variation. Although every effort is made not to change the above product specification, Lecico reserve the right to do so without prior notification if necessary.



Shown: Slab urinas

Overview:

These handmade slab urinals are bespoke designed and manufactured to your individual requirements. Available with either exposed or concealed water supply for added flexibility.

Key product features:

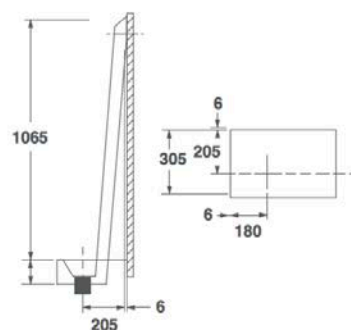
- Bespoke design service
- Heavy duty fireclay
- Antibacterial glaze

Product:	Slab urinal
Code:	Special order only
Weight in kg:	Varied
Colour:	White
Material:	Fireclay
Standard:	n/a
DOP:	n/a
BiM download:	x
CAD download:	x

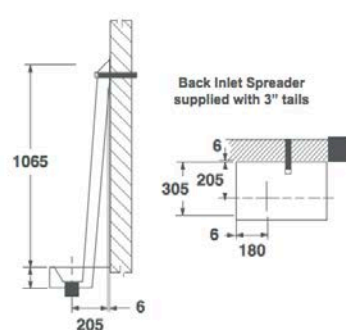
Special notes

As this is a bespoke item, please contact our Customer Service Team to discuss an order.

CONCEALED



EXPOSED



All dimensions are approximate and subject to normal ceramic variation. Although every effort is made not to change the above product specification, Lecico reserve the right to do so without prior notification if necessary.



Baths

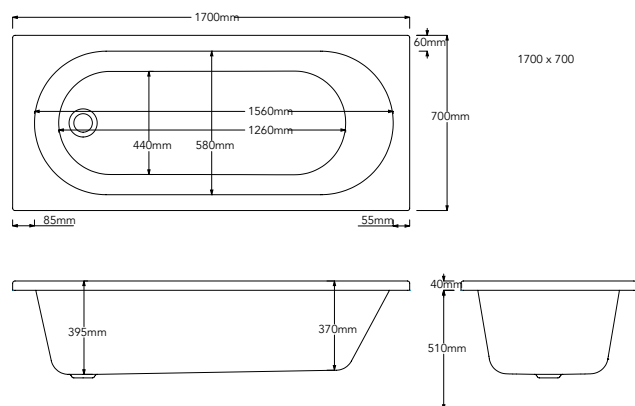


Acrylic
Steel
Shower

314-319
320-321
322-323



Shown: 1700 round acrylic bath with side and end panels
BARDHAR177 - BENDPANEL2 - BFPANEL2



Overview:

This round acrylic bath is supplied with feet for easy installation. Its ample size makes for a relaxing retreat that will look at home in any modern bathroom. With an overall size of 1700 x 700mm this bath is great for the whole family.

Key product features:

- 4mm acrylic, fully encapsulated
- CE Compliant
- Round internal design
- 200ltr capacity when in use.

Product:	Bath	End panel	Side panel
Code:	BARDHAR177	BENDPANEL2	BFPANEL2
Weight in kg:	19	1.5	1.8
Colour:	White		
Material:	Acrylic		
Standards:	BS3402		
Capacity:	200ltr		

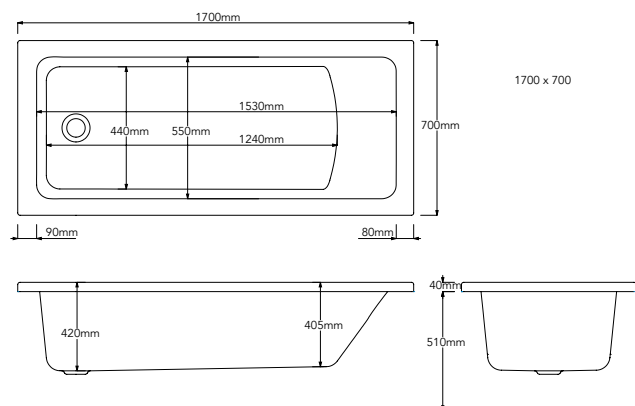
Special notes

Bath is not pre-drilled to allow deck or wall mounted brassware

Although every effort is made not to change the above product specification, Lecico reserve the right to do so without prior notification if necessary.



Shown: 1700 square acrylic bath with bath shower mixer
BASQYOR177 - TPMIRBSM



Overview:

This square acrylic bath is supplied with feet for easy installation. Its ample size makes for a relaxing retreat that will look at home in any contemporary bathroom. With an overall size of 1700 x 700mm this bath is great for the whole family.

Key product features:

- 4mm acrylic, fully encapsulated
- CE Compliant
- Square internal design
- 185ltr capacity

Product:	Bath	End panel	Side panel
Code:	BASQYOR177	BENDPANEL2	BFPANEL2
Weight in kg:	19	1.5	1.8
Colour:	White		
Material:	Acrylic		
Standards:	BS3402		
Capacity:	185ltr		

Special notes

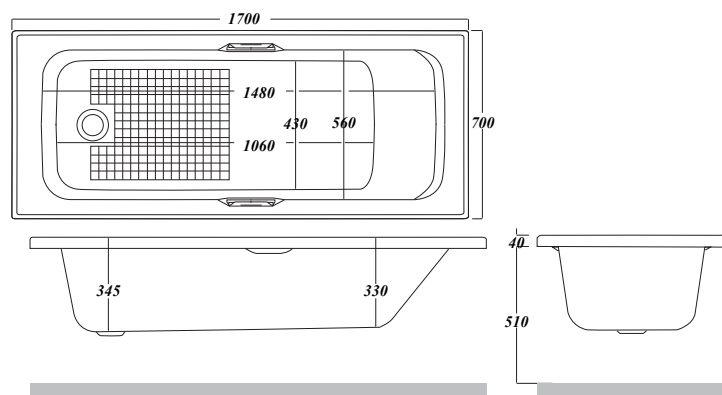
Bath is not pre-drilled to allow deck or wall mounted brassware

Although every effort is made not to change the above product specification, Lecico reserve the right to do so without prior notification if necessary.



Top down view

Shown: 1700 acrylic bath with side and end panel
BAT1700 - BFPANEL2 - BENDPANEL2



Overview:

This classic acrylic bath is supplied with grips and leg set for easy installation. Its ample size makes for a relaxing retreat that will look at home in any sized bathroom. With an overall size of 1700 x 700mm this bath is great for the whole family.

Key product features:

- 5mm acrylic, fully encapsulated
- CE Compliant
- Slip resistant finish
- Top fix grips

Product:	Bath	End panel	Side panel
Code:	BAT1700	BENDPANEL2	BFPANEL2
Weight in kg:	18	1.5	1.8
Colour:	White		
Material:	Acrylic		
Standards:	BS7015, EN263, Exceeds BS4305		
Capacity:	140ltr		

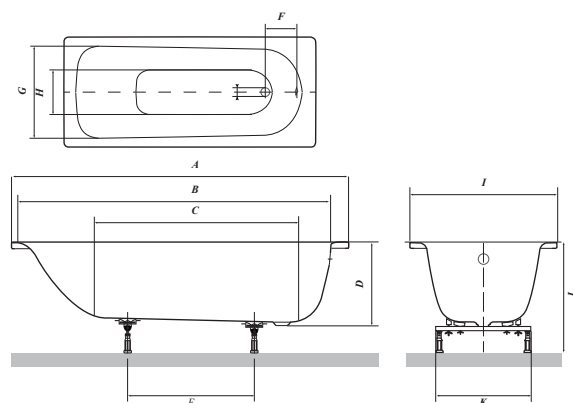
Special notes

Bath is pre-drilled to allow deck mounted brassware

Although every effort is made not to change the above product specification, Lecico reserve the right to do so without prior notification if necessary.



Shown: 1700 water saving bath
BSWS1700



Overview:

This steel single seater bath is made from enamel coated steel, perfect for family life this coating makes the bath impervious to scratches and makes it ideal for high traffic. Available in multiple sizes this classic rectangular bath comes as standard with a slip resistant finish, is pre drilled for grips/brassware and includes adjustable feet.

Key product features:

- Two pre-drilled tap holes and grips
- CE Compliant
- Slip resistant finish
- Top fix grips

Product:	1700x700	1700x700 Water saving	1600x700	1500x700
Code:	BSWH1700	BSWS1700	BSWH1600	BSWH1500
Weight:	26.6	26.6	25.4	24.7
Colour:	White			
Material:	Enamel coated steel			
End panel:	Not supplied by Lecico			
Side panel:	Not supplied by Lecico			
Standards:	CL1 + CL2 DIN EN14516:2006 + A1:2010			
DOP:	KBW001			
Capacity:	156ltr	130ltr	142ltr	131ltr

Special notes

As steel baths are frequently installed into a built-in setting, we do not supply bath panels for these products. Standard bath panels can be purchased from specialist stockists.

Size	A	B	C	D	E	F	G	H	I	J	K
1700	1700	1530	1150	390	740	212	550	390	700	515	380
1700 WS	1700	1530	1150	390	740	212	550	390	700	515	380
1600	1600	1430	1050	390	600	212	550	390	700	515	380
1500	1500	1330	950	390	555	212	550	390	700	515	380

Although every effort is made not to change the above product specification, Lecico reserve the right to do so without prior notification if necessary.



Overview:

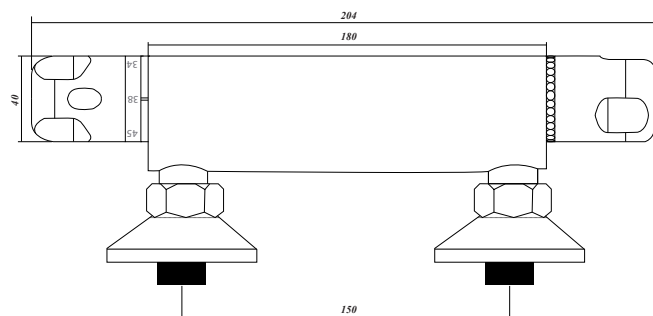
This attractive chrome finished thermostatic shower mixer bar comes with riser rail kit and multifunctional shower head for differing spray patterns. With a marked temperature dial, this shower can be set to the users specific required temperature.

Key product features:

- 1/2" ceramic disc valve
- Thermostatic cartridge
- Easy fit wall couplings
- 1500mm shower flex
- Multi functional shower head

Product:	Shower
Code:	SHWTERM
Weight in kg:	2.6
Colour:	Chrome
Material:	Mixed
Standards:	BS3402
WRAS	✓
Min pressure:	0.1 Bar
Max pressure:	5 Bar

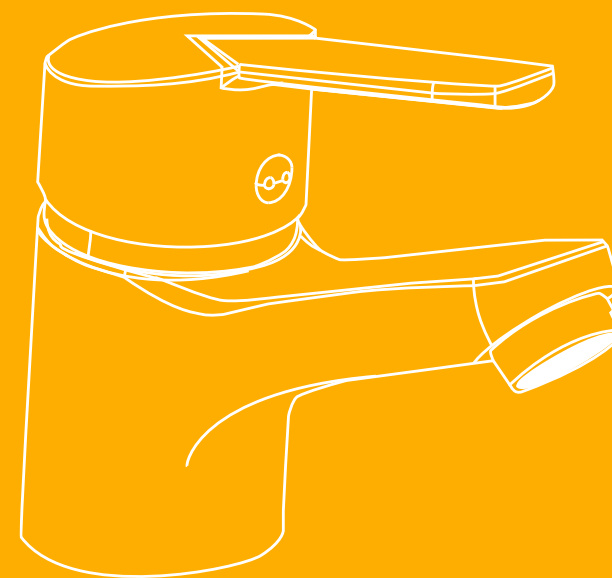
Shown: Thermostatic shower mixer.
SHWTERM



Although every effort is made not to change the above product specification, Lecico reserve the right to do so without prior notification if necessary.



Brassware



Domestic
Commercial

326-339
340-351

1



2



3



4



5



6



CI/SFB

(74)

Overview:

This range features six variants to provide the optimum in flexibility for bathroom planning, no matter which combination of basin and bath you might choose. It comes with a choice of basin & pillar taps, mono mixer, mini mono mixer, a bath shower mixer and a deck mounted bath filler. It has a curved lever style and is ideally suited for either contemporary or more traditional styles.

Key product features:

- WRAS approved product where indicated
- 10 year guarantee

	Code	Type	Min pressure	WRAS
1	TPASHBASIN	Basin pillar taps (pair)	0.2 Bar	✓
2	TPASHMINI	Basin mini mixer	0.2 Bar	✓
3	TPASHMONO	Basin monobloc mixer	0.2 Bar	×
4	TPASHBATH	Bath pillar taps (pair)	0.2 Bar	×
5	TPASHBSM	BSM (bath shower mixer)	0.2 Bar	×
6	TPASHDMBF	Deck mounted bath filler	0.2 Bar	×

Flow rates

Below are flow rates in litres per minute, measured in laboratory test conditions

	0.2 bar	0.5 bar	1 bar
1	8.6	13.9	20.3
2	2.9	5.1	7.2
3	5.4	9.3	13.6
4	10.1	17.3	26
5	4.1	7.5	9.8
6	4.3	8.1	13

1



2



3



4



5



Overview:

This range is a multi-purpose, universal design that will suit any bathroom. The classic design features a hexagonal shaped chrome-effect tap head for ease of use with wet hands. It is available in 5 different variants, basin & bath pillar taps, basin mono mixer, bath shower mixer and deck mounted bath filler.

Key product features:

- WRAS approved product where indicated
- 10 year guarantee

	Code	Type	Min pressure	WRAS
1	TPNORBASIN	Basin pillar taps (pair)	0.2 Bar	✓
2	TPNORMONO	Basin mono/mixer	0.2 Bar	✓
3	TPNORBATH	Bath pillar taps (pair)	0.2 Bar	×
4	TPNORBSM	BSM (bath shower mixer)	0.2 Bar	×
5	TPNORDMBF	Deck mounted bath filler	0.2 Bar	×

1



2



3



4



5



CI/SFB

(74)

Overview:

This range of stylish compact lever taps with chrome plating and a modern style that would suit all contemporary suites. It is available in 5 different variants, basin & bath pillar taps, basin mono mixer, bath shower mixer and deck mounted bath filler.

Key product features:

- WRAS approved product where indicated
- 10 year guarantee

	Code	Type	Min pressure	WRAS
1	TPCEDBASIN	Basin pillar taps (pair)	0.2 Bar	✓
2	TPCEDMONO	Basin mono/mixer	0.2 Bar	✓
3	TPCEDBATH	Bath pillar taps (pair)	0.2 Bar	×
4	TPCEDBSM	BSM (bath shower mixer)	0.2 Bar	×
5	TPCEDDMBF	Deck mounted bath filler	0.2 Bar	×

Flow rates

Below are flow rates in litres per minute, measured in laboratory test conditions

	0.2 bar	0.5 bar	1 bar
1	8.4	14	20.4
2	7.7	11.8	17.8
3	15.3	26.2	38.2
4	17.1	25.8	36
5	28	47.6	68.9

1



2



3



4



5



CI/SFB

(74)

Overview:

This luxury tap with a bold square design which makes it the perfect match for our square basins. It is available in five variants to suit all basin/bath combinations with a choice of twin pillar taps or a mono mixer for your basin, and three options for your bath, pillar taps, a deck mounted filler or a bath shower mixer.

Key product features:

- WRAS approved product where indicated
- 10 year guarantee

	Code	Type	Min pressure	WRAS
1	TPMIRBASIN	Basin pillar taps (pair)	0.2 Bar	✓
2	TPMIRMONO	Basin mono/mixer	0.2 Bar	✓
3	TPMIRBATH	Bath pillar taps (pair)	0.2 Bar	×
4	TPMIRBSM	BSM (bath shower mixer)	0.2 Bar	×
5	TPMIRDMBF	Deck mounted bath filler	0.2 Bar	×

Flow rates

Below are flow rates in litres per minute, measured in laboratory test conditions

	0.2 bar	0.5 bar	1 bar
1	11.7	19.3	26.2
2	7.1	11.5	16.3
3	17.8	29.8	42
4	19.3	25.6	37.1
5	32.6	52.8	72.9

1



2



3



4



CI/SFB

(74)

Overview:

This elegant collection of brassware is available in four variants, to suit either a basin or bath. Its flat rounded lever gives the tap a distinctive design that will pair perfectly with any of our round or square basins.

Key product features:

- WRAS approved product
- 10 year guarantee

	Code	Type	Min pressure	WRAS
1	TPCARMINI	Basin mono/mixer	0.2 Bar	✓
2	TPCARMONO	Basin mono/mixer	0.2 Bar	✓
3	TPCARBSM	BSM (bath shower mixer)	0.2 Bar	✓
4	TPCARBSM	Deck mounted bath filler	0.2 Bar	✓

Flow rates

Below are flow rates in litres per minute, measured in laboratory test conditions

	0.2 bar	0.5 bar	1 bar
1	4.8	7.5	10.9
2	4.8	7.5	10.9
3	15.3	27	39.8
4	16.9	28.6	41.2

1



2



3



CI/SFB
(74)

Overview:

This luxury waterfall tap, is available in three variants to suit both basins and baths. This trendy tap is perfect for completing a high end project.

Key product features:

- WRAS approved product
- 10 year guarantee

	Code	Type	Min pressure	WRAS
1	TPBROMONO	Basin mono/mixer	0.2 Bar	✓
2	TPBROBSM	BSM (bath shower mixer)	0.2 Bar	✓
3	TPBROMBF	Deck mounted bath filler	0.2 Bar	✓

Flow rates

Below are flow rates in litres per minute, measured in laboratory test conditions

	0.2 bar	0.5 bar	1 bar
1	4.8	7.5	10.9
2	15.3	27	39.8
3	16.9	28.6	41.2

1



2



3



4



CI/SFB

(74)

Overview:

If you want a bathroom to be true to the Victorian design then look no further than this range with its classic weighty style, curved necks and cross handles capped in a traditional style. Available as a mono mixer or a pair of tall pillar taps for the basin as well as bath pillar taps or the luxurious bath shower mixer.

Key product features:

- WRAS approved product where indicated
- 10 year guarantee

	Code	Type	Min pressure	WRAS
1	TPBUXBASIN	Basin pillar taps (pair)	0.2 Bar	✓
2	TPBUXMONO	Basin mono/mixer	0.2 Bar	✓
3	TPBUXBATH	Bath pillar taps (pair)	0.2 Bar	×
4	TPBUXBSM	BSM (bath shower mixer)	0.2 Bar	×

Flow rates

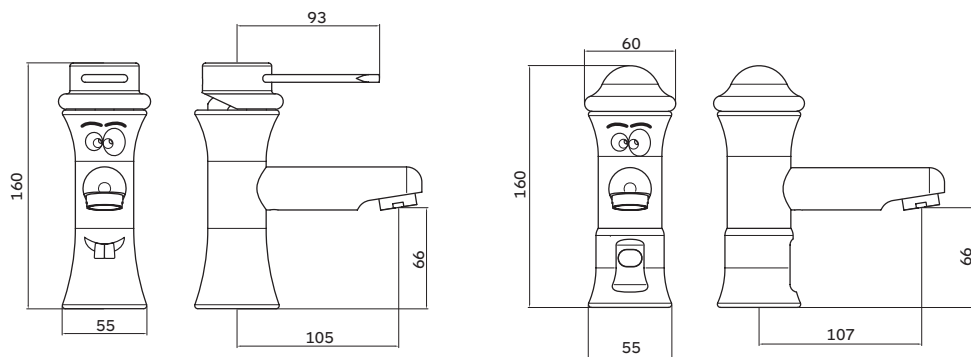
Below are flow rates in litres per minute, measured in laboratory test conditions

	0.2 bar	0.5 bar	1 bar
1	12.6	21.2	30.3
2	16.8	29.7	37.8
3	14.1	23.6	33.2
4	16.8	29.7	37.8



Lever operated tap
TPKINLEVER

Shown: Infrared operated tap
TPKININFRA



Overview:

Uniquely designed basin taps specific for children. Featuring lever or infrared operated controls. Temperatures are pre-set and they have been designed for use along with our thermostatic mixing valve for guaranteed safety and reliability.

Key product features:

- Lever and Infrared operated versions available
- Unique ergonomic design
- Designed for use with our TMV3 blending valve (TMVBLEND15 - 15mm / TMVBLEND22 - 22mm)
- Manufactured using WRAS approved materials

Code	Type	Min pressure	WRAS
TPKINLEVER	Lever operated tap	1 Bar	✓
TPKININFRA	Infrared operated tap	1 Bar	✓

Flow rates

Below are flow rates in litres per minute, measured in laboratory test conditions

0.2 bar	0.5 bar	1 bar
n/a	n/a	6

Special notes

Infrared tap is battery operated

Although every effort is made not to change the above product specification, Lecico reserve the right to do so without prior notification if necessary.



Overview:

The lever operated sequential basin mixer tap is ideal for less able users. For safety, this tap can only start in the cold position. The flat lever allows the user to operate the tap, even with limited dexterity. The smooth operation of the reinforced cartridge ensures strength and durability.

Key product features:

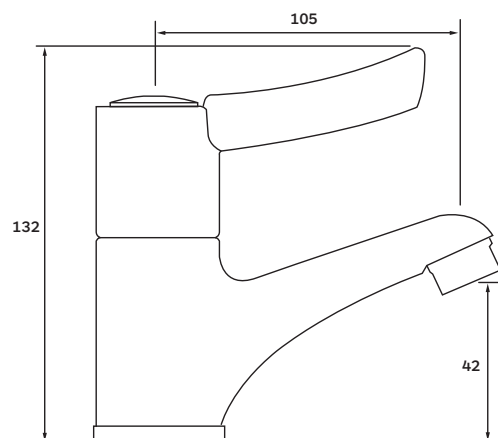
- Ceramic disc
- Simple lever operation
- Reinforced cartridge for heavy duty use
- WRAS approved
- 5 year guarantee

Code	Type	Min pressure	WRAS
DMIXER	Lever operated tap	0.2 Bar	✓

Flow rates

Below are flow rates in litres per minute, measured in laboratory test conditions

0.2 bar	0.5 bar	1 bar
3.1	4.8	4.8





Overview:

The lever operated sequential basin mixer tap is ideal for less able users. For safety, this tap can only start in the cold position. The flat lever allows the user to operate the tap, even with limited dexterity. The smooth operation of the reinforced cartridge ensures strength and durability.

Key product features:

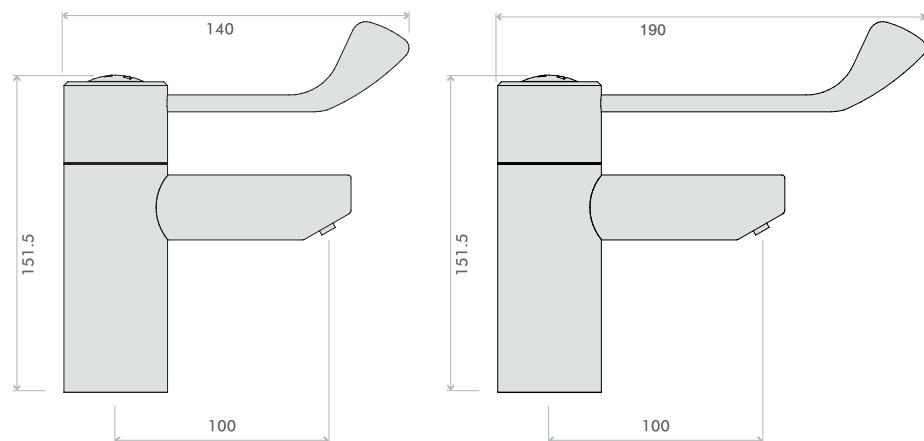
- Ceramic disc
- Simple lever operation - long arm version available
- Reinforced cartridge for heavy duty use
- WRAS approved
- 5 year guarantee

Code	Type	Min pressure	WRAS
TPKIRTMV3	Sequential thermostatic tap	0.2 Bar	✓
TPKIRTMV3LONG	Long arm Sequential thermostatic tap	0.2 Bar	✓

Flow rates

Below are flow rates in litres per minute, measured in laboratory test conditions

0.2 bar	0.5 bar	1 bar
7	9	13





Overview:

These non-concussive self-closing taps are perfect for commercial situations such as hospitals, schools and public toilets. These taps will turn themselves off after a set period of time allowing for smarter water usage in high traffic areas.

Key product features:

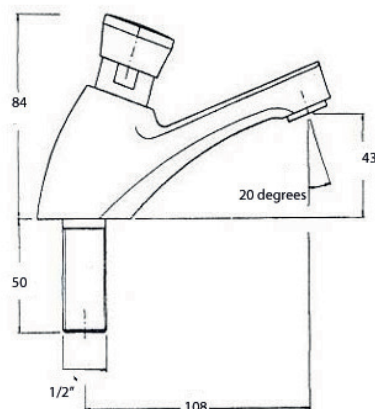
- Self closing design
- Simple push operation
- Money saving
- Adjustable flow duration

Code	Type	Min pressure	WRAS
TPKIRNONC	Non concussive taps (pair)	0.2 Bar	✓

Flow rates

Below are flow rates in litres per minute, measured in laboratory test conditions

0.2 bar	0.5 bar	1 bar
4.5	7	10



Although every effort is made not to change the above product specification, Lecico reserve the right to do so without prior notification if necessary.



Overview:

Delivering water without contact with the tap is an ideal solution where hygiene and water economy is paramount, such as public toilets and washrooms. The tap is operated by the presence of the users hands being detected in front of the sensor, which activates a solenoid valve and delivers water. When the users hands are removed, the sensor closes the solenoid and the water is stopped immediately to prevent water waste. This tap has been designed for use with an approved thermostatic mixing valve.

Key product features:

- Battery life approximately 4 years with 150 operations per day
- Battery and Mains operated versions available
- Auto self closing tap, preventing water wastage
- 6Ltr per minute flow regulator option available
- 24 hour Anti-Stagnation flushing cycle
- Infra Red Contactless operation
- Copper Inlet Connection
- Pre-set sensor range

Code	Type	Min pressure	WRAS
TPKIRINFA	Sensor operated tap	1 Bar	✓

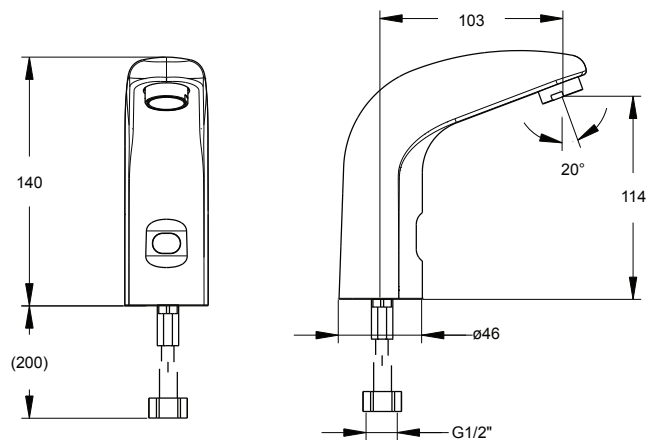
Flow rates

Below are flow rates in litres per minute, measured in laboratory test conditions

0.2 bar	0.5 bar	1 bar
n/a	n/a	6

Special notes

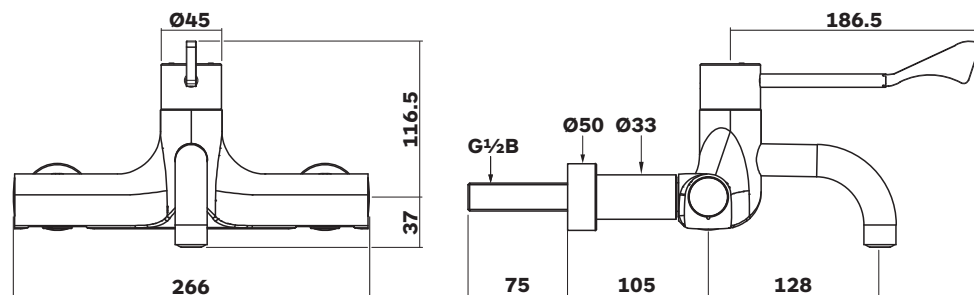
Infrared tap is battery operated





Lever operated tap
TPMEDREM

Shown: Infrared operated tap
TPMEDINFRA



Overview:

The new range of clinical handwash mixers are WRAS and TMV3 approved, compliant with the Healthcare Performance Requirements and feature a long lever that can be operated without hand contact, a full safe-touch surface to prevent contact scalding, smooth lines and surfaces for easy cleaning, a simple flushing method for installation, optional removable spout models for auto-claving, one piece removable cartridge, supply isolating valves accessible without removing from the wall/panel, simple sterilisation method, smooth internal surfaces and a flow outlet compliant with HBN00-10 Part C.

Key product features:

- Suitable for use with unvented water supplies, combi boilers, gravity and mains pressure systems
- Lever and Infrared operated versions available
- Unique ergonomic design
- Designed for use with our TMV3 blending valve (TMVBLEND15 - 15mm / TMVBLEND22 - 22mm)
- Manufactured using WRAS approved materials

Code	Type	Min pressure	WRAS
TPMEDREM	Lever operated tap	1 Bar	✓
TPMEDINFRA	Infrared operated tap	1 Bar	✓

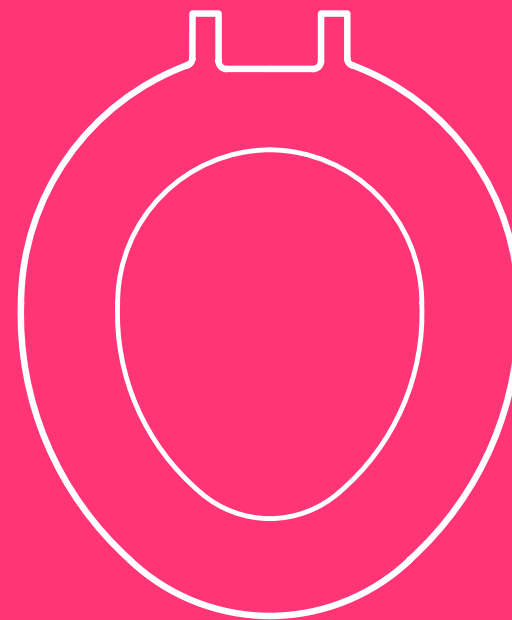
Special notes

Infrared tap is battery operated
Lever operated tap features a removable spout
Mains adaptor also available for Infrared operated tap (TPMEDINFRA)

Although every effort is made not to change the above product specification, Lecico reserve the right to do so without prior notification if necessary.



Seats



Standard seats
Ring seats

354-377
378-385



Shown: Soft close seat.
STWHSCUNP



Overview:

Made from highly durable polypropylene, this seat is available with either a standard or soft close hinge

Key product features:

- 5 Year guarantee on soft close seats
- Soft close hinge is gel filled for smoother close
- CE compliant
- 2 Year guarantee on standard hinge seats
- Standard hinge is stainless steel
- Fast fix hinge kit with standard seat
- CE compliant

Product:	Soft close	Standard
Code:	STWHSCUNP	STWHSSUNP
Weight in kg:	1.3	1.3
Colour:	White	
Material:	Plastic	
Fixing:	Bottom fix	Bottom fix

Compatible WC's

ASWHBWPA	✓	✓
ASWHLLPA	✓	✓
ASWHNPA	✓	✓
ASWHPAN	✓	✓
ASWHMPA	✓	✓
ASWHWHP	✓	✓
UNWHPA	✓	✓
UNWHPLLPA	✓	✓
UNWHSLPA	✓	✓
SENRPAN	✓	✓
GEOBWPA	✓	✓
GEOHWHP	✓	✓
LGWHBWPA	✓	✓

Special notes

As of September 2017 this seat will be manufactured using an anti-bacterial formula, which will not wear out during use providing ongoing protection.



Overview:

Made from highly durable thermoset plastic, this seat is available with either a standard or soft close hinge

Key product features:

- 5 Year guarantee on soft close seats
- Soft close hinge is gel filled for smoother close
- CE compliant
- 2 Year guarantee on standard hinge seats
- Standard hinge is stainless steel
- Fast fix hinge kit with standard seat
- CE compliant

Product:	Soft close	Standard
Code:	STWHSC2ALUX	STWHASLUX
Weight in kg:	2.1	2.1
Colour:	White	
Material:	Plastic	
Fixing:	Bottom fix	Bottom fix

Compatible WC's

ASWHBWPA	✓	✓
ASWHLLPA	✓	✓
ASWHNPA	✓	✓
ASWHPAN	✓	✓
ASWHSMPA	✓	✓
ASWHWHP	✓	✓
UNWHPA	✓	✓
DOCMBWPA	✓	✓
GEOHWBWP	✓	✓
GEOHWHP	✓	✓
LGWHBWPA	✓	✓
NCWHPA	✓	✓

Shown: Soft close seat





Shown: Sta-Tite seat
STWHOAK

Overview:

Made from polypropylene plastic, this seat is flexible and hard to break. Its unique design makes it virtually impossible for the seat to come loose once installed. Using various patent devices that hold the screw firmly in place, lateral movement is prevented which provides peace of mind for everyone.

Key product features:

- 2 Year guarantee on standard hinge seats
- CE Compliant
- Hygienic design

Product:	Sta-Tite seat
Code:	STWHOAK
Weight in kg:	1.8
Colour:	White
Material:	Plastic
Fixing:	Bottom fix
Compatible WC's	
ASWHBWPA	✓
ASWHLLPA	✓
ASWHNPA	✓
ASWHPAN	✓
ASWHWHP	✓
UNWHSELLPA	✓
UNWHPLLPA	✓

Although every effort is made not to change the above product specification, Lecico reserve the right to do so without prior notification if necessary.



Overview:

Made from high quality duroplast, its sandwich design is strikingly visual in appearance, making this the perfect seat for the discerning design enthusiast. This seat is easy lift of to make light work of cleaning.

Key product features:

- 5 Year guarantee on soft close seats
- CE Compliant
- Slimline design
- Easy lift off

Product:	Sandwich soft close seat
White code:	STWHSCVISC
Weight in kg:	2
Colour:	White
Material:	Plastic
Fixing:	Top fix
Compatible WC's	
LGWHBWPA	✓
SENDRPAN	✓

Shown: Soft close seat
STWHSCVISC





Overview:

Made from highly durable thermo plastic, this seat is available with either a standard or soft close hinge. Its classic styling makes it the perfect choice for a traditional themed bathroom.

Key product features:

- 5 Year guarantee on soft close seats
- 2 Year guarantee on standard hinge seats
- CE Compliant
- Traditional design

Product:	Soft close	Standard
Code:	STWHSCNH	STWHNC
Weight in kg:	2	2
Colour:	White	
Material:	Plastic	
Fixing:	Bottom fix	Bottom fix

Compatible WC's		
ROXCCPAN	✓	✓
ROXLLPAN	✓	✓
NCWHBWPA	✓	✓
NCWHLLPA	✓	✓
NCWHPA	✓	✓

Shown: Soft close seat
STWHSCNH





Shown: Soft close seat
STWHSCCONT

Overview:

Made from highly robust duroplast, this seat features a dynamic thin sandwich design which will complement a wide range of bathroom designs. This seat is easy lift of to make light work of cleaning.

Key product features:

- 5 Year guarantee on soft close seats
- CE Compliant
- Top fix hinge
- Easy lift off

Product:	Sandwich soft close seat
Code:	STWHSCCONT
Weight in kg:	2.4
Colour:	White
Material:	Plastic
Fixing:	Top fix

Compatible WC's	
AVNWHBWPA	✓
AVNWHPAN	✓
AVNWHWHPA*	✓
MDWHBWPA	✓
MDWHPA	✓
MDWHWHP	✓
STPWHPAN	✓

Special notes

*Requires additional hinge, supplied free of charge when ordered with AVNWHWHPA



Although every effort is made not to change the above product specification, Lecico reserve the right to do so without prior notification if necessary.



Shown: Soft close seat
STWHSC2MD

Overview:

Made from highly durable thermo plastic, this seat is available with either a standard or soft close hinge. The soft close version features a quick release button for easy lift off and cleaning.

Key product features:

- 5 Year guarantee on soft close seats
- 2 Year guarantee on standard hinge seats
- CE Compliant
- Quick release

Product:	Soft close	Standard
Code:	STWHSC2MD	STWHSMMD
Weight in kg:	2.5	1.9
Colour:	White	
Material:	Plastic	
Fixing:	Top fix	Bottom fix

Compatible WC's		
MDWHBWPA	✓	✓
MDWHPA	✓	✓
MDWHWHPA	✓	✓
ANVWHWHPA	✓	✓
AVNWHBWPA	✓	✓
AVNWHPAN	✓	✓
COMRDNPA	✓	✓
STPWHPAN	✓	✓





Shown: Soft close seat
STWHSCDEAN

Overview:

Made from high quality duroplast, its full wrap over design hides the seat under its lid creating a striking visual appearance. This seat is easy lift of to make light work of cleaning.

Key product features:

- 5 Year guarantee on soft close seats
- CE Compliant
- Top fix
- Easy lift off

Product:	Full wrap over soft close seat
White code:	STWHSCDEAN
Weight in kg:	1.9
Colour:	White
Material:	Plastic
Fixing:	Top fix

Compatible WC's	
AVNWHBWPA	✓
AVNWHPAN	✓
AVNWHWHPA*	✓
MDWHBWPA	✓
MDWHPA	✓
MDWHWHP	✓
STPWHPAN	✓

Special notes

*Requires additional hinge, supplied free of charge when ordered AVNWHWHPA





Shown: Soft close seat
STWHSC2MG

Overview:

Made from highly durable thermo plastic, this seat is available with either a standard or soft close hinge. Its compact design is specifically designed to fit our short projection pans.

Key product features:

- 5 Year guarantee on soft close seats
- 2 Year guarantee on standard hinge seats
- CE Compliant

Product:	Soft close	Standard
Code:	STWHSC2MG	STWHSMG
Weight in kg:	1.8	1.8
Colour:	White	
Material:	Plastic	
Fixing:	Bottom fix	Bottom fix

Compatible WC's		
MGWHBWA	✓	✓
MGWHSPAN	✓	✓
MGWHWHP	✓	✓
SPSNPA	✓	✓





Overview:

Made from polypropylene plastic, this seat is flexible and hard to break. It features a soft close hinge and has been designed specifically to fit our short projection pans. The soft close version features a quick release button for easy lift off and cleaning.

Key product features:

- 5 Year guarantee on soft close seats
- CE Compliant
- Quick release

Product:	Soft close
Code:	STWHSPSL
Weight in kg:	1.5
Colour:	White
Material:	Plastic
Fixing:	Top fix

Compatible WC's	
MGWHBWPA	✓
MGWHSPAN	✓
MGWHWHP	✓
SPSNPA	✓

Shown: Soft close seat
STWHSPSL





Overview:

Made from high quality urea plastic, this extremely durable seat is built to stand the test of time. This slimline seat features a quick release mechanism for ease of cleaning and soft close hinge.

Key product features:

- 5 Year guarantee on soft close seats
- CE Compliant
- Quick release
- Slimline design

Product:	Soft close
Code:	STWSCEARL
Weight in kg:	2.6
Colour:	White
Material:	Plastic
Fixing:	Top fix

Compatible WC's	
COMRDNPA	✓
MGWHSPAN	✓
MGWHWHP	✓
SPSNPA	✓
STPWHPAN	✓

Shown: Soft close seat
STWSCEARL





Overview:

This square contemporary seat is made from high quality thermoplast, making it hard wearing and scratch resistant. It is easy to clean with its lift off design.

Key product features:

- 5 Year guarantee on soft close seats
- CE Compliant
- Square wrap over design
- Quick release hinge
- Top fix

Product:	Soft close
Code:	STSENSQSC
Weight in kg:	2.3
Colour:	White
Material:	Plastic
Fixing:	Top fix

Compatible WC's	
SENSQPAN	✓
COMSQNPA	✓

Shown: Soft close seat
STSENSQSC





Overview:

Made from highly durable thermoset plastic, this infant crescent seat comes supplied with stainless steel hinges and is perfect for high traffic areas. Its durable design is chemical, flame and scratch resistant.

Key product features:

- 2 Year guarantee on standard hinge seats
- CE Compliant
- Top fix available
- For use with infant pans

Product:	Top fix	Standard
White seat code:	STWHSRINGTF	STWHSRING
Black seat code:	STBLSRING + STWHTFRING	STBLSRING
Weight in kg:	2	1.9
Material:	Plastic	
Fixing:	Top fix	Bottom fix
Compatible WC's		
SCWH30PA	x	✓
SC30BTWRIM	✓	x

Shown: White infant crescent seat
STWHSRING



Although every effort is made not to change the above product specification, Lecico reserve the right to do so without prior notification if necessary.



Shown: Ring seat
STWHRING



Overview:

Made from highly durable thermoset plastic, this ring seat comes supplied with stainless steel hinges and is perfect for high traffic areas. Its durable design is chemical, flame and scratch resistant.

Key product features:

- 2 Year guarantee on standard hinge seats
- CE Compliant
- Top fix available for BTW pans or installations with limited access

Product:	Top fix	Standard
White seat code:	STWHTFIXRINGA2	STWHRING
Blue seat code:	STDBTFRING2	STDBRING
Grey seat code:	STDGRTFRING2	STGRRING
Red seat code:	STRDRING + STWHTFRING	STRDRING
Weight in kg:	2.6	2
Material:	Plastic	
Fixing:	Top fix	Bottom fix

Compatible WC's

ASWHBWPA	✓	✓
ASWHLLPA		✓
UNWHPLLPA		✓
UNWHSLPPA		✓
DOCMBTWPA		✓
DOCBTW56RIM	✓	
DOCMBTW75RIM	✓	
DOCM750PAN	✓	
RIM50BTWPA	✓	
DOCMNPAN		✓
DOCMLLPAN		✓
SCWH35PA		✓
SC35BTWRIM	✓	

Colour samples



White Dark blue Grey Red

Although every effort is made not to change the above product specification, Lecico reserve the right to do so without prior notification if necessary.



Shown: Anti-lateral buffer seat
STRINGALGR



Overview:

Designed with DocM in mind this anti-lateral seat has buffers built in to reduce movement during use. The seat itself is made from high quality and durable thermoplast ideal for high traffic areas.

Key product features:

- 2 Year guarantee on standard hinge seats
- CE Compliant

Product:	Anti-lateral buffer seat
White code:	STRINGALWH
Grey code:	STRINGALGR
Blue code:	STRINGALBL
Weight in kg:	1.5
Material:	Plastic
Fixing:	Top fix

Compatible WC's	
DOCMBWPA	✓
DOCBTW56RIM	✓
DOCMBTW75RIM	✓
DOC750PAN	✓
DOCMLLPAN	✓
DOCMPAN	✓
RIM50BTWPA	✓
SC35BTWRIM	✓

Colour samples



Although every effort is made not to change the above product specification, Lecico reserve the right to do so without prior notification if necessary.



Shown: Ring seat
STDBLRING



Overview:

Made from highly durable thermoset plastic, this ring seat comes supplied with stainless steel hinges and is perfect for high traffic areas. Its durable design is chemical, flame and scratch resistant.

Key product features:

- 2 Year guarantee on standard hinge seats
- CE Compliant
- Top fix available for BTW pans or installations with limited access

Product:	Top fix	Standard
White seat code:	STWHTFIXLRINGA2	STWHLRING
Blue seat code:	STDBTFLRING2	STDLBRING
Grey seat code:	STDGRTFLRING2	STGRLRING
Red seat code:	STRDLRING + STWHTFRING	STRDLRING
Black seat code:	STDBLARING + STWHTFRING	STDBLARING
Weight in kg:	2.2	1.6
Material:	Plastic	

Compatible WC's

ASWHBWPA	✓	✓
ASWHLLPA		✓
UNWHPLLPA		✓
UNWHSLLPA		✓
DOCMBTWPA		✓
DOCBTW56RIM	✓	
DOCBTW75RIM	✓	
DOC750PAN	✓	
RIM50BTWPA	✓	
DOCMNPAN		✓
DOCMLLPAN		✓
SCWH35PA		✓
SC35BTWRIM	✓	

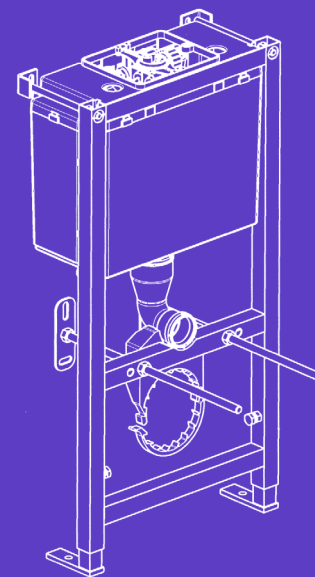
Colour samples



White Dark blue Grey Red Black

Although every effort is made not to change the above product specification, Lecico reserve the right to do so without prior notification if necessary.

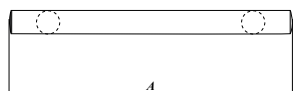
Ancillaries



Designer hand rails	388-391
Shower seats	392-395
Fixing frames	396-399
concealed cisterns	400-417
Accessories	418-419



Shown: Trio of concealed single point hand rails
GR380MBK7 | GR380S1 | GR380PT



Overview:

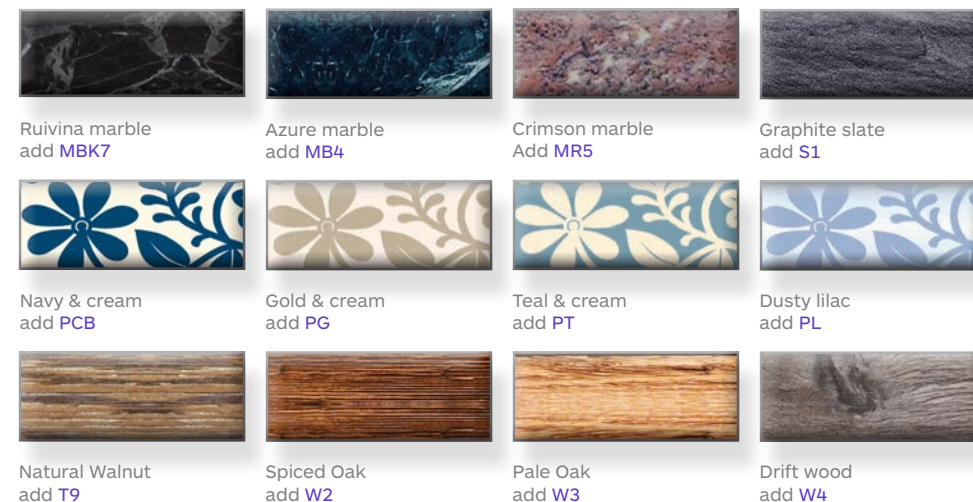
Our designers have taken a high quality Italian rail and using an innovative and unique process, have added a range of stunning finishes which suit modern home styling trends. Below is a broad range of design options and colours for you to choose from. All are available in four lengths to allow the perfect combination for your project.

Key product features:

- Wide range of bespoke colour finishes and sizes
- Stylish contemporary Design
- High quality construction
- Durable

Product:	380mm	480mm	580mm	680mm
Code:	GR380xxx	GR480xxx	GR580xxx	GR680xxx
Weight in kg:	0.7	0.8	1	1.1
Colour:	Colour choices shown below			
Material:	Steel			
Standard:	EN ISO 9001 2008 ISO 13485 2012			
DOP:	n/a			
BiM download:	x	x	x	x
CAD download:	x	x	x	x

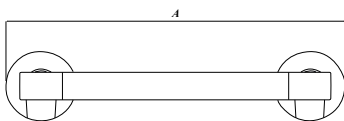
Colour samples



Although every effort is made not to change the above product specification, Lecico reserve the right to do so without prior notification if necessary.



Shown: Trio of concealed multi-point hand rails
GR380FMBK7 | GR380FS1 | GR380W4



Overview:

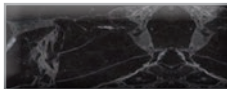











None of us likes the thought of losing our independence or our health. Moreover, we don't like to accept that even if we do need a little more help around the home that we should suddenly lose any desire for quality, good looking products that suit the home we have spent years improving. But take one look at the choice of hand rails or support rails currently available and you'll be convinced that that is what has been expected - **until now!**

Key product features:

- Wide range of bespoke colour finishes and sizes
- Stylish contemporary Design
- High quality construction
- Durable

Product:	385mm	486mm	537mm	690mm
Code:	GR380Fxxx	GR480Fxxx	GR580Fxxx	GR680Fxxx
Weight in kg:	0.4	0.5	0.6	0.7
Colour:	Colour choices shown below			
Material:	Steel			
Standard:	EN ISO 9001 2008 ISO 13485 2012			
DOP:	n/a			
BiM download:	x	x	x	x
CAD download:	x	x	x	x

Colour samples

			
Ruivina marble add MBK7	Azure marble add MB4	Crimson marble Add MR5	Graphite slate add S1
			
Navy & cream add PCB	Gold & cream add PG	Teal & cream add PT	Dusty lilac add PL
			
Natural Walnut add T9	Spiced Oak add W2	Pale Oak add W3	Drift wood add W4

Although every effort is made not to change the above product specification, Lecico reserve the right to do so without prior notification if necessary.



Overview:

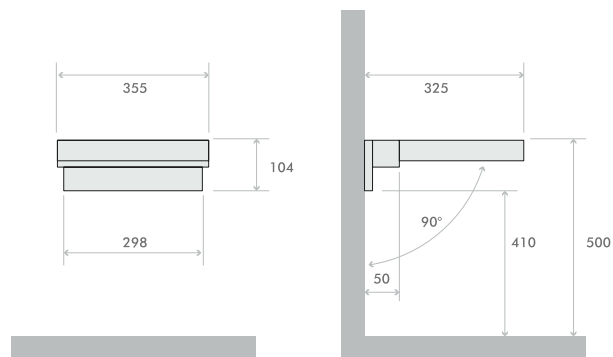
Ensuring that both you and those you care about are safe in the bathroom becomes easier; as stylish as they are functional, the square shower seat helps to make the bathroom a safer place.

Key product features:

- Slip resistant
- High chrome polish
- Maximum Load 125KG
- Strong and Sturdy Design

Product:	Contemporary shower seat slab
Code:	STSLABSHOW
Weight in kg:	6
Colour:	Black & chrome
Material:	Mixed plastics & metals
Standard:	n/a
DOP:	n/a
BiM download:	x
CAD download:	x

Shown: contemporary styling shower seat
STSLABSHOW





Overview:

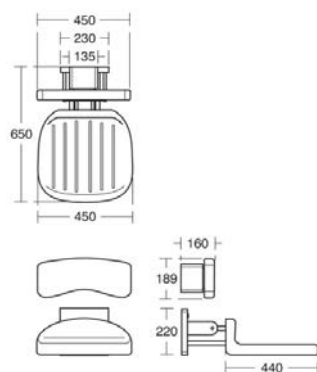
Ensuring that both you and those you care about are safe in the bathroom becomes easier; as stylish as they are functional, the square shower seat helps to make the bathroom a safer place.

Key product features:

- Slip resistant
- Maximum load 125KG
- Strong and sturdy design

Product:	Contemporary shower seat slab
Code:	STPRSHPACK
Weight in kg:	7.3
Colour:	Grey
Material:	Mixed plastics & metals
Standard:	n/a
DOP:	n/a
BiM download:	×
CAD download:	×

Shown: contemporary styling shower seat
STPRSHPACK



Special notes

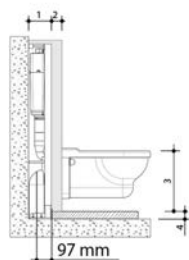
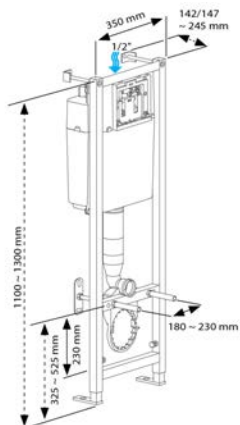
Supplied in separate packaging

Although every effort is made not to change the above product specification, Lecico reserve the right to do so without prior notification if necessary.



Push plate supplied

Shown: Concealed fixing frame including cistern
FRAMELSIAM2PT



1 = 142/147~245 mm
 2 = 16 ~ 100 mm
 4 = 0 ~ 200 mm
 if 3 = 400 => 4 = 200 mm max*
 if 3 = 480 => 4 = 120 mm max*
 *When the distance between the WC
 fixing axle and the WC seat is 75 mm.

Overview:

For installing a wall hung-standard, extended or compact WC. This heavy duty wall frame is suitable for bearing up to a 400kg load. Designed for wall installation.

Key product features:

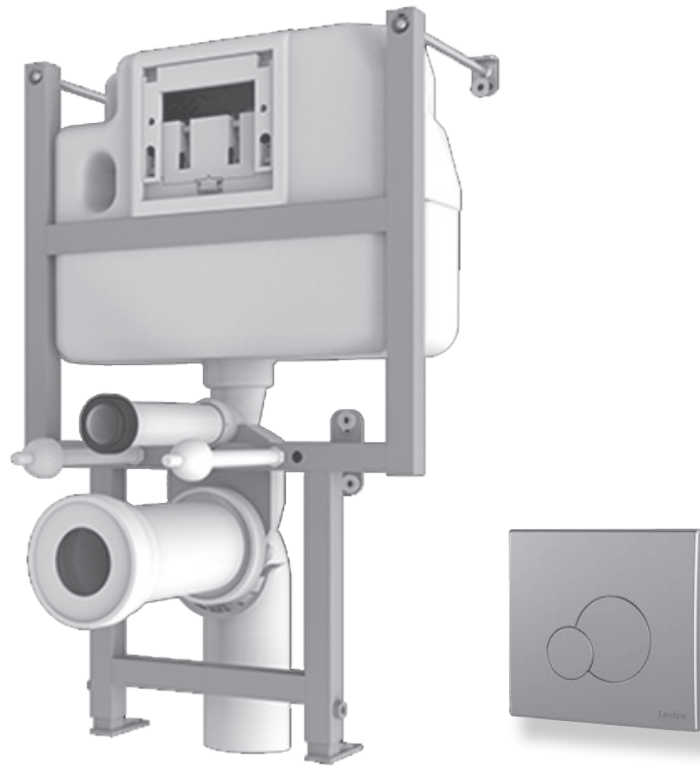
- Dual flush 6/4 litres factory preset, adjustable to 4/2.6 litres
- Matt chrome effect push plate
- Strong and sturdy design
- Delayed fill inlet valve
- WRAS approved
- Flush plate located above seat radius

Product:	Tall fixing frame
Code:	FRAMELSIAM2PT
Weight in kg:	14.8
Colour:	Matt chrome effect push plate
Material:	Mixed metal & plastics
Standard:	NF, EN14055 CL2
DOP:	n/a
BiM download:	x
CAD download:	x
Flushing volume:	6/4ltr standard / Adjustable down to 4/2.6ltr
Flushing mechanism:	Dual flush push plate
Operation:	Mechanical
Delayed fill inlet valve:	✓
Access:	Front
Inlet location:	Side - RHS

Special notes

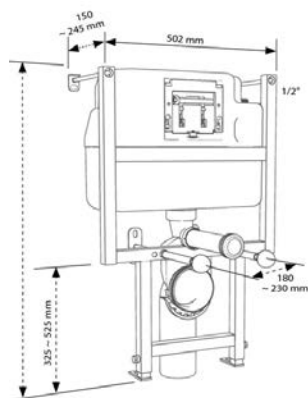
Supplied as two parts in a single box

Although every effort is made not to change the above product specification, Lecico reserve the right to do so without prior notification if necessary.



Push plate supplied

Shown: Compact fixing frame including cistern
FRAMATPRO790



1= 150 - 245mm
2= 16 - 100mm
4= 0 - 185mm
(if 3= 400 => 4= 185mm max*)
(if 3= 480 => 4= 105mm max*)

*When the distance between the fixing side and the WC seat is 75mm.



Overview:

This compact wall mounting frame including cistern will work with any wall hung WC. Packed with features despite having a smaller footprint, it is ideal for use in today's modern bathroom or restroom.

Key product features:

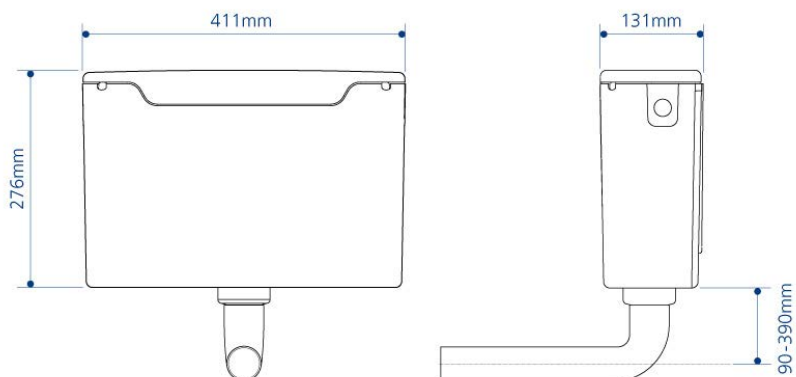
- Dual flush 6/4 litres factory preset, adjustable to 4/2.6 litres
- Matt chrome effect push plate
- Strong and sturdy design
- Delayed fill inlet valve
- WRAS approved
- Can also be fitted under a window

Product:	Compact fixing frame
Code:	FRAMATPRO790
Weight in kg:	19.4
Colour:	Matt chrome effect push plate
Material:	Mixed metal & plastics
Standard:	NF, EN14055 CL2
DOP:	n/a
BiM download:	x
CAD download:	x
Flushing volume:	6/4ltr standard / Adjustable down to 4/2.6ltr
Flushing mechanism:	Dual flush push plate
Operation:	Mechanical
Delayed fill inlet valve:	✓
Access:	Front
Inlet location:	Side - RHS

Although every effort is made not to change the above product specification, Lecico reserve the right to do so without prior notification if necessary.



Shown: Concealed cistern
BTWRIMCI



Overview:

Pneumatic cistern ideal for use behind tiles and partitioning and in most other concealed applications. Factory assembled for quick and easy installation.

Key product features:

- Dual flush 6/4 litres factory pre-set, adjustable to 4/2.6 litres
- Chrome effect dual flush push button
- Compact design that fits into 150mm ducts
- Delayed fill inlet valve
- WRAS approved

Product:	Compact pneumatic concealed cistern
Code:	BTWRIMCI
Weight in kg:	2.5
Colour:	White
Material:	Mixed plastics
Standard:	n/a
DOP:	n/a
BiM download:	x
CAD download:	x
Flushing volume:	6/4ltr standard / Adjustable down to 4/2.6ltr
Flushing mechanism:	Dual flush push button
Operation:	Pneumatic
Delay fill inlet valve:	✓
Access:	Top
Inlet location:	Side - RHS or LHS

Special notes

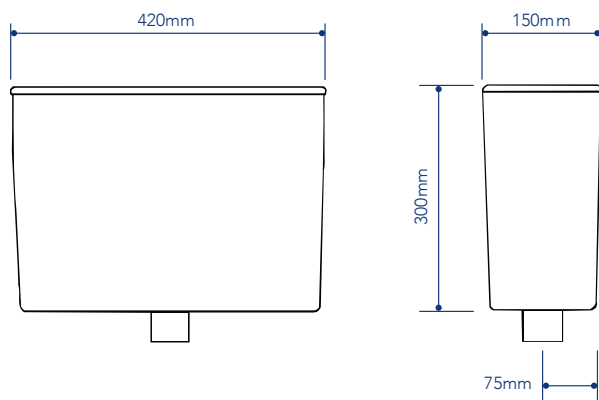
Can also be used with an optional oyster flush plate (FRPLATEOYST) sold separately. An additional range of anti-vandal and palm push buttons and plates are also available upon request.



Although every effort is made not to change the above product specification, Lecico reserve the right to do so without prior notification if necessary.



Shown: Concealed lever cistern
BTWPHACI



Overview:

Ideal for use behind tiles and partitioning and in most other concealed applications. Factory assembled for quick and easy installation. This cistern is available in two versions, one for standard installations and the other for use with our DocM 750mm projection WC's.

Key product features:

- Chrome effect lever (dimple lever on DocM variant)
- WRAS approved
- High density polystyrene cistern body

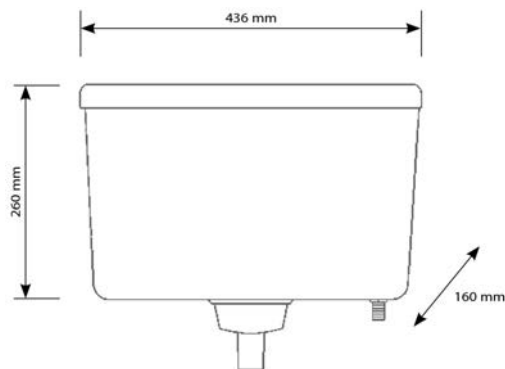
Product:	Single flush lever	Dual flush lever for DocM
Code:	BTWPHACI	BTWPHACIDOCE
Weight in kg:	2.9	2.9
Colour:	White	
Material:	Mixed plastics	
Standard:	n/a	
DOP:	n/a	
BiM download:	x	
CAD download:	x	
Flushing volume:	6ltr	4/2.6ltr dual flush
Flushing mechanism:	Lever operated	
Operation:	Lever	
Delay fill inlet valve:	x	√
Access:	Top	
Inlet location:	Side - RHS or LHS	Bottom - RHS or LHS

Special notes

DocM specification version is supplied with extended flush pipe and dimple lever.



Shown: Concealed cistern with pneumatic push button
BTWPBCI



Overview:

Ideal for use behind tiles and partitioning and in most other concealed applications. Factory assembled for quick and easy installation.

Key product features:

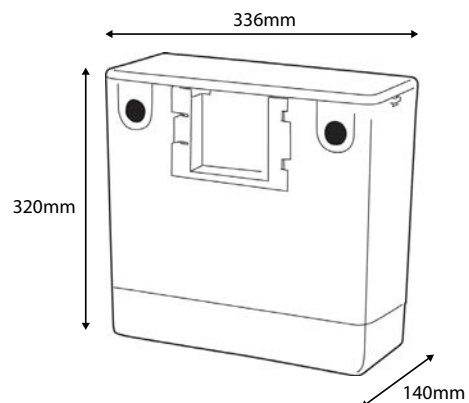
- Dual flush 6/4 litres
- Chrome effect dual flush push button
- WRAS approved
- Insulated cistern tank to prevent condensation

Product:	Compact pneumatic concealed cistern
Code:	BTWPBCI
Weight in kg:	2.3
Colour:	White
Material:	Mixed plastics
Standard:	n/a
DOP:	n/a
BiM download:	x
CAD download:	x
Flushing volume:	6/4ltr
Flushing mechanism:	Dual flush push button
Operation:	Cable
Delay fill inlet valve:	x
Access:	Top
Inlet location:	Bottom - RHS

Although every effort is made not to change the above product specification, Lecico reserve the right to do so without prior notification if necessary.



Shown: Concealed cistern with push button
BTWCOMPACT2



Overview:

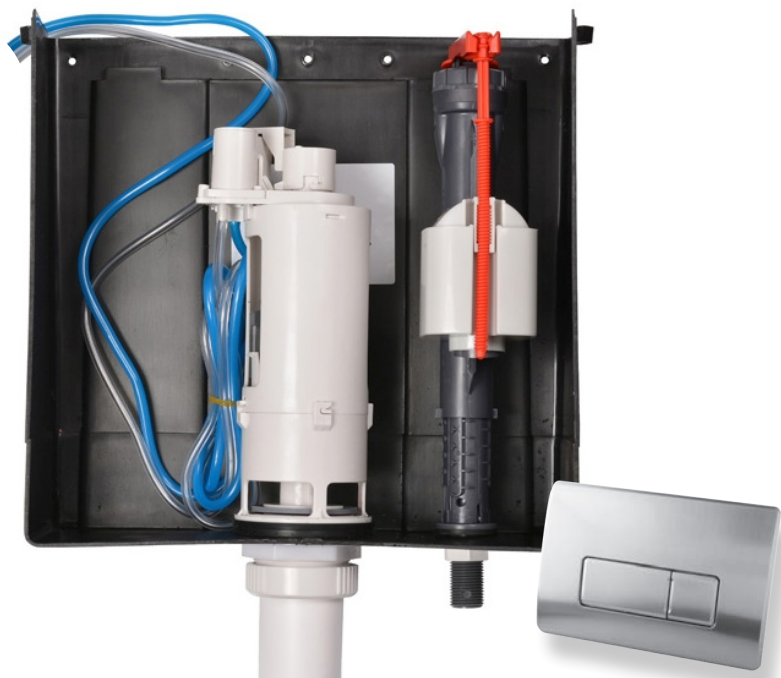
Ideal for use behind tiles and partitioning and in most other concealed applications. Factory assembled for quick and easy installation.

Key product features:

- Dual flush 6/4ltr which is adjustable down to 4/2.6ltr
- Chrome effect dual flush push button
- WRAS approved
- Delayed fill inlet valve
- Includes isolation valve

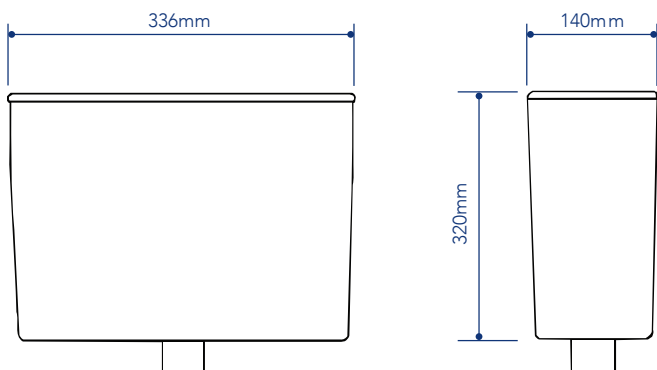
Product:	Compact concealed cistern
Code:	BTWCOMPACT2
Weight in kg:	2.1
Colour:	Black
Material:	Mixed plastics
Standard:	n/a
DOP:	n/a
BiM download:	x
CAD download:	x
Flushing volume:	6/4ltr standard / Adjustable down to 4/2.6ltr
Flushing mechanism:	Dual flush push button
Operation:	Cable
Delay fill inlet valve:	✓
Access:	Top & front
Inlet location:	Bottom - RHS Side or Side - LHS

Although every effort is made not to change the above product specification, Lecico reserve the right to do so without prior notification if necessary.



Push plate supplied

Shown: Concealed pneumatic cistern with brushed stainless steel push plate
BTWPNEUMBSS



Overview:

Ideal for use behind tiles and partitioning and in most other concealed applications. Factory assembled for quick and easy installation.

Key product features:

- Dual flush 6/4 litres factory pre-set, adjustable to 4/2.6 litres
- Chrome effect dual flush push button
- WRAS approved
- Internal overflow

Product:	Compact pneumatic concealed cistern
Brushed stainless steel code:	BTWPNEUMBSS
Chrome effect code:	BTWPNEUMCH
White code:	BTWPNEUMWH
Weight in kg:	1
Colour:	Black
Material:	Mixed plastics
Standard:	n/a
DOP:	n/a
BiM download:	x
CAD download:	x
Flushing volume:	6/4ltr standard / Adjustable down to 4/2.6ltr
Flushing mechanism:	Dual flush push plate
Operation:	Pneumatic
Delay fill inlet valve:	✓
Access:	Top
Inlet location:	Side - RHS or LHS



Brushed stainless steel



Chrome effect

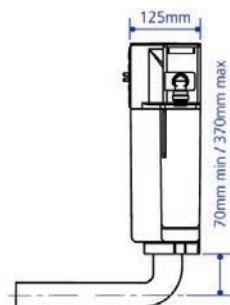
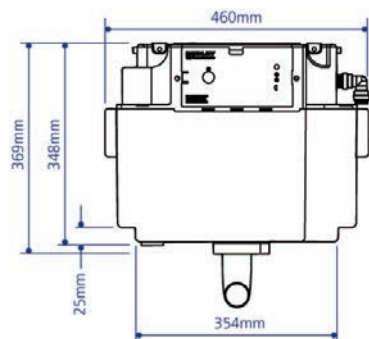


White

Although every effort is made not to change the above product specification, Lecico reserve the right to do so without prior notification if necessary.



Shown: Concealed cistern
BTWVanci



Overview:

Designed specifically for use in bathroom furniture, but also Ideal for use behind tiles and partitioning this concealed cistern features both front and top access for easy access.

Key product features:

- Dual flush 6/4 litres factory pre-set, adjustable to 4/2.6 litres
- Chrome plated dual flush push button
- WRAS approved
- Push fit water inlet elbow

Product:	Compact pneumatic concealed cistern
Code:	BTWVanci
Weight in kg:	2.5
Colour:	Chrome effect push button
Material:	Mixed plastics
Standard:	n/a
DOP:	n/a
BiM download:	x
CAD download:	x
Flushing volume:	6/4ltr standard / Adjustable down to 4/2.6ltr
Flushing mechanism:	Dual flush push button
Operation:	Pneumatic
Delay fill inlet valve:	✓
Access:	Top & front
Inlet location:	Side - RHS

Special notes

Can also be used with an optional oyster flush plate (FRPLATEOYST) sold separately
An additional range of anti-vandal and palm push buttons and plates are also available upon request.



Although every effort is made not to change the above product specification, Lecico reserve the right to do so without prior notification if necessary.



Overview:

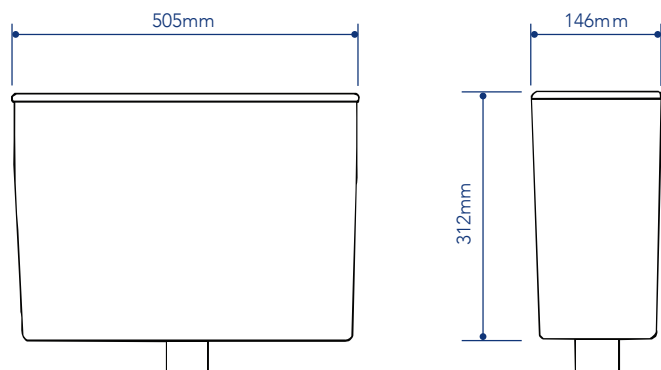
This lever operated concealed cistern is for use with all back to wall or wall hung WC's. It features a 6/4ltr dual flush that can be adjusted down to 4/2.6ltrs for additional water saving.

Key product features:

- Dual flush 6/4 litres factory pre-set, adjustable to 4/2.6 litres
- Chrome effect lever
- Delayed fill inlet valve
- Left or right handed flush

Product:	Lever operated concealed cistern
Code:	BTWLEVCI
Weight in kg:	2.8
Colour:	Chrome effect lever
Material:	Mixed plastics
Standard:	n/a
DOP:	n/a
BiM download:	x
CAD download:	x
Flushing volume:	6/4ltr standard / Adjustable down to 4/2.6ltr
Flushing mechanism:	Dual flush lever
Operation:	Lever
Delay fill inlet valve:	✓
Access:	Top
Inlet location:	Bottom inlet

Shown: Lever operated concealed cistern
BTWLEVCI





Overview:

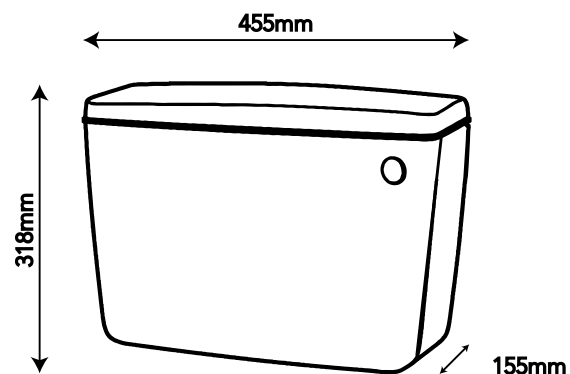
This plastic lever operated cistern is perfectly designed for our low level pans. It comes with an option of either a side inlet or bottom inlet to best suit existing arrangements.

Key product features:

- Designed with renovation in mind
- 6/4ltr dual flush
- Manufactured from heavy duty polystyrene
- Internal overflow only

Product:	Bottom inlet	Side inlet
Code;	ASLLPLCIBI	ASLLPLCISI
Weight in kg:	2.5	
Colour:	White	
Material:	Heavy duty polystyrene	
Standard:	EN14055 6L VR2	
DOP:	n/a	
BiM download:	x	x
CAD download:	x	x
Flushing volume:	6ltr single flush standard / adjustable to either 7ltr or 9ltr	
Flushing mechanism:	Dual flush lever	
Inlet location:	Bottom	Side

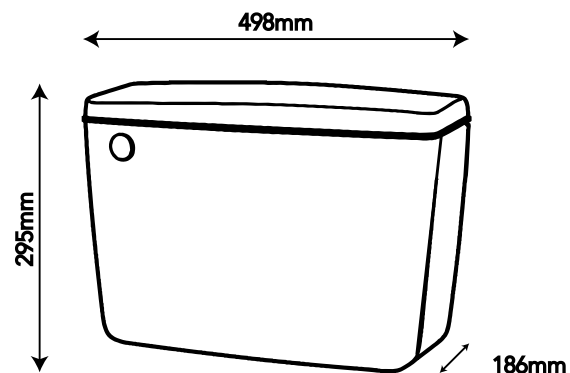
Shown: Plastic low level cistern
ASLLPLCISI



Although every effort is made not to change the above product specification, Lecico reserve the right to do so without prior notification if necessary.



Shown: Concealed urinal header tank
URCONASYP1



Overview:

This concealed urinal header tank is supplied with a choice of three sized autosyphons. From 4.5ltr for one to two bowls, 9ltrs for up to four bowls and 13ltrs for five or more.

Key product features:

- Made from high impact polystyrene
- Supplied with adjustable petcock
- Requires no electricity

Product:	Concealed urinal header tank
4.5ltr Code:	URCONASYP1
9ltr Code:	URCONASYP2
13ltr Code;	URCONASYP3
Weight in kg:	2.2
Colour:	White
Material:	Mixed plastics
Standard:	n/a
DOP:	n/a
BiM download:	x
CAD download:	x
Flushing volume:	Subject to autosyphon
Flushing mechanism:	Automatic
Access:	Top
Inlet location:	Side - RHS

Although every effort is made not to change the above product specification, Lecico reserve the right to do so without prior notification if necessary.

BRACK50/BRACK55



BRACK



BRACKWHKIT



CI/SFB
(74)

FBWB



TRB



WLESSCART



URBIS



BRACKAR



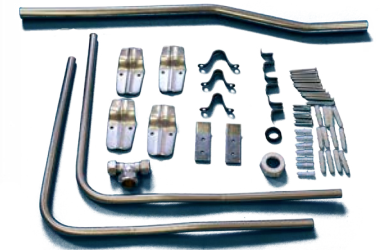
BRACKLS



URTIS



URPWS/URPW2BOW/URPW3BOW/
URPW4BOW/URPW5BOW



Customer information

Manufacturers

Lecico is one of the world's largest designers and manufacturers of bathroom suites and fittings. Exporting to over 50 countries worldwide, our outstanding reputation is founded on design-rich products that have been crafted to the highest manufacturing standards.

All Lecico products are subjected to a wide range of quality checks and controls throughout design and production. The standards we manufacture to include the UK BS 3402 Specification for Quality of Vitreous China Sanitary Appliances.

Customer care

Lecico are committed to the highest standards of customer care. Our core objective is to maintain customer loyalty through exceptional products and service.

All of Lecico's bathroom products come with an extensive manufacturer guarantee*.

Lifetime guarantee on ceramic products
5 & 10 year guarantees on brassware
5 year guarantee on soft close seats.

Great care is taken to ensure that products are always supplied in perfect condition. However, we always recommend that you check your purchase prior to installation.

Our guarantees apply to manufacturing defects only, and do not apply to accidental damage, wear and tear, or any item or component rendered defective by unsatisfactory planning, faulty installation, improper or negligent use, or damage resulting from failure to maintain the product.

Health & Safety and the Environment

Lecico is also committed to conducting its business in a responsible manner. We protect the health and safety of our people, fulfil all applicable legal obligations, and continue to work hard to minimise our impact on the

environment. Our environmental policies cover packaging and waste reduction, as well as sustainability of materials. We ensure these policies are communicated to all of our people to ensure a united effort towards our objectives.

Lecico is currently ISO certified for ISO 18001 Health and Safety; ISO 14001 Environmental; and ISO 9001 International Quality Management Standards.

WRAS Approval & CE

All inlet valves and flushing mechanism currently supplied by ourselves have achieved without exception WRAS approval for use in the UK.

All Lecico products that fall under current CE mark legislation are compliant.

Cleaning

Products should be cleaned regularly with warm soapy water. Rinse, dry and polish with a soft clean cloth. Regular cleaning will prevent the build-up of lime scale. Be aware that some cleaners can damage the surface of ceramics and fittings – particularly if left on for a long period of time. We particularly advise against the use of strong cleaners that contain abrasives or chemicals.

This brochure

All descriptions and specifications contained in this brochure are intended to represent a general idea of the goods. They do not form part of a contract, or give rise to any collateral liability upon the company.

Our policy is one of continued improvement, and we reserve the right to change designs and specifications at any time without notice. All sizes are approximate due to the inconsistencies of the ceramic production process.

All colours and finishes in this brochure are as accurate as printing processes will allow.



Product reference

Atlas

CC Pans// 62-63,68-69,86-87
BTW Pan// 102-103
Wall Hung pan// 120-121
High/Low level// 130-133,146-149
Squatting pan// 150-153
Standard basins// 160-161
S/R basins// 180-183
Pedestals// 160-161

Geo

BTW Pan//100-101
Wall Hung pan// 122-123
Standard basins// 156-159
S/R basins// 184-185
Pedestals// 156-159

Senner

CC Pans// 68-71
Wall Hung pan// 124-125
Standard basins// 162,162
S/R basins// 186-186
Pedestals// 162-163

Comfort height

CC Pans// 72-75,84-85
BTW Pan// 110-111

Madison

CC Pan// 78-79
BTW Pan// 106-107
Wall Hung pan// 126-127
Standard basins// 164-167
S/R basins// 188-191
Pedestals// 164-167

Space saver

CC Pan// 76-77
BTW Pan// 104-105

Thin Lipped

Standard basins// 170-173

Lecico Steps

CC Pan// 80-81

Avensis

CC Pan// 82-83
BTW Pan// 108-109
Wall Hung pan// 128-129
Standard basins// 168-169
S/R basins// 192-193
Pedestals// 168-169

New Hamilton

CC Pan// 90-91
BTW Pan// 118-119
High / Low level// 136-139
Standard basins//174-177
S/R basins// 174-175
Pedestals// 174-177

Roxton

CC Pan// 88-89
High / Low level// 134-135
Standard basins// 178-179
Pedestals// 178-179

DocM

CC Pan// 92-93
High / Low level// 144,145
Standard basins// 220-223
Economy packs// 25-257
Standard packs// 258-263
Deluxe packs// 264-267
Peninsular packs// 268-271
Ambulant packs// 272-275
Shower packs// 276-279
Grab rails// 280-287

School

CC Pans// 96-99
BTW Pans// 96-99
Low level// 96-99,140-143

Rimless

CC Pan// 94-95
BTW Pans// 112-117

Other basins

Under counter basin// 194-195
Vanity basins// 196-199
Free standing bowls// 200-207
Corner basin// 208-209
Cloakroom basins// 216-219
Medical basins//224-225
Clinical basin// 226-227
Commercial sinks// 228-235

BS standard basins

1410// 210-211
1810// 212-213
2216// 214-215

Furniture

Linton// 238-240
Stonely// 242-243
Carlton// 244-249

Urinals

Round// 290-295
Square// 296-299
Header tanks// 300-,303
Box sets// 304-305
Waterless// 306-309
Slab// 310-311

Baths

Acrylic// 314-319
Steel// 320-321
Shower // 322-323

Brassware

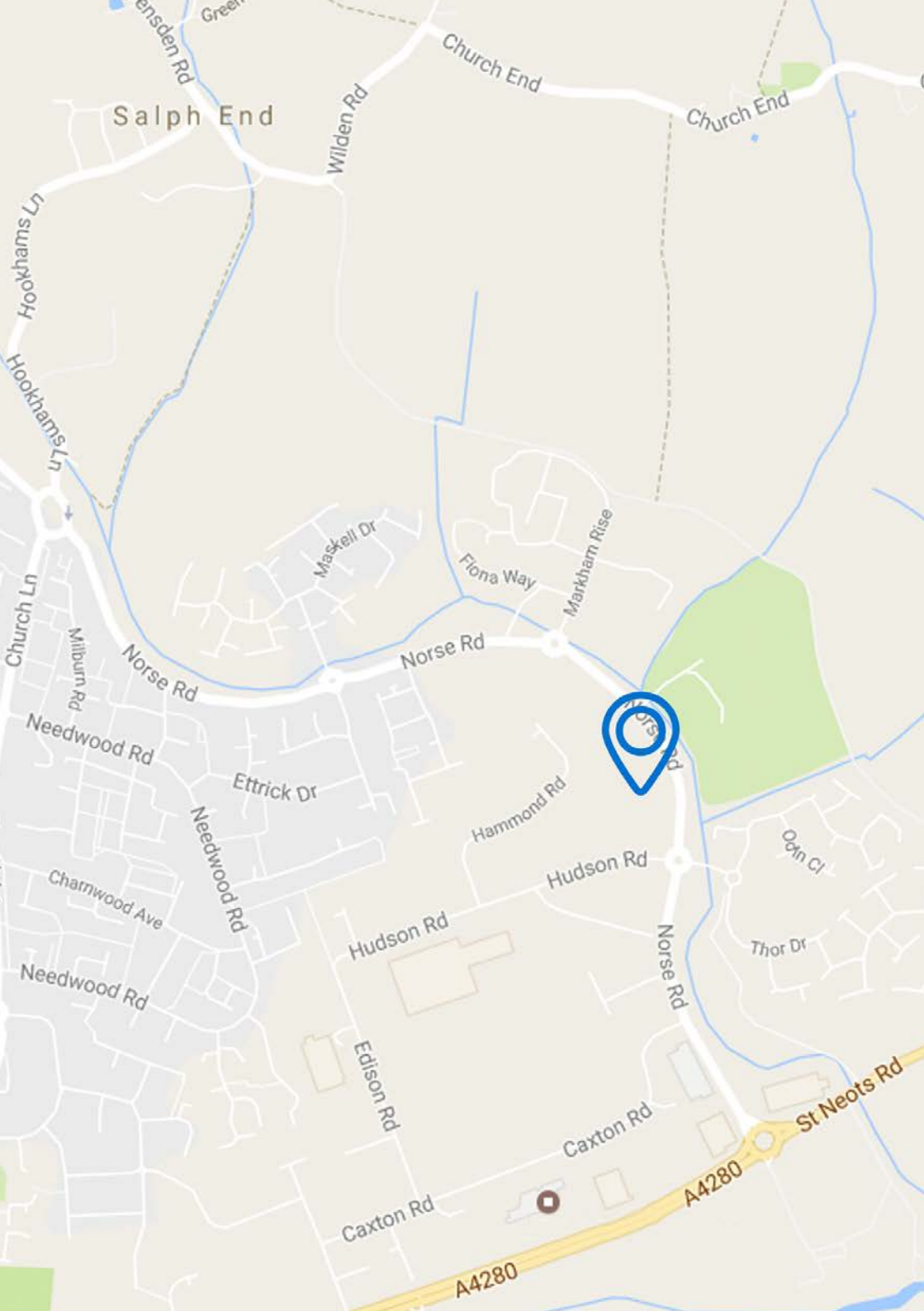
Ashby// 326-327
Northbury// 328-329
Cedar// 330-331
Mirimar// 332-333
Cardington// 334-335
Brooke// 336-337
Buxton// 338-339
Kindergarten// 340-341
DocM// 342-345
Non concussive// 346-347
Sensor// 348-349
Medical // 350-351

Seats

Universal// 354-355
Ring seats// 378,-381,384-385
Atlas Luxury// 356-357
Earl// 374-375
Dean// 368-369
Contessa// 364-365
Viscount// 360-361
Oakley// 358-359
Universal D shape// 366-367
Square// 376-377
Traditional// 362-363
Malaga// 370-371
Space Saver// 372-373
Anti lateral// 382-383

Ancillaries

Designer grab rails// 388-391
Shower seats// 392-395
Fixing frames// 396-399
Concealed cisterns// 400-417
Accessories// 418-419



Getting in touch:

Head office:

Unit 2E Viking Industrial Estate, Hudson Road, Bedford, MK41 0QB

General enquiries:

T: +44 (0) 1234 244 030

F: +44 (0) 8721 115 581

E: ukinfo@lecico.co.uk

Sales office:

T: +44 (0) 1234 244 030

F: +44 (0) 8721 115 581

E: orders@lecico.co.uk

Customer services:

T: +44 (0) 1234 244 030

F: +44 (0) 8721 115 581

E: customerservice@lecico.co.uk

Website: www.lecico.co.uk



Lecico
b a t h r o o m s

Lecico PLC
Unit 2E, Viking Industrial Estate
Hudson Road
Bedford, UK
MK41 0QB

T: +44 (0) 1234 244 030
F: +44 (0) 8721 115 581
E: ukinfo@lecico.co.uk

Atlas professional

www.lecico.co.uk