

# Atlas

## ATLAS 50CM SEMI RECESSED BASIN 2TH



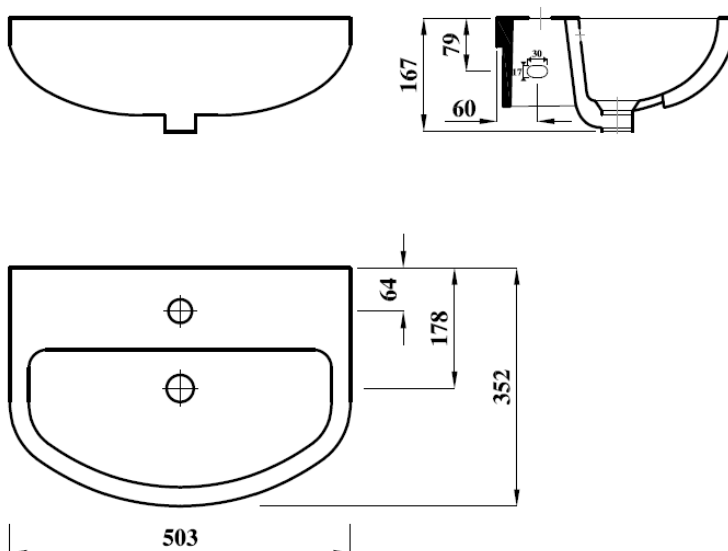
<b>Product Code</b>	<b>ASWHGSR50BA2</b>
<b>Weight (Kg)</b>	10
<b>Material</b>	Vitreous China
<b>Tap holes</b>	2
<b>Fixings</b>	Brackets - BRACKAR (Not included)
<b>Extras</b>	Bottle trap - BOTRAPCH / Waste - TPOPRNEW

### Key features:

- UKCA Compliant
- Clean-lined
- Internal overflow
- Fully glazed at rear
- Lifetime ceramic guarantee\*

### Description:

Matching current trends, these basins are clean-lined and feature no soap dish indents or raised ridges that could act as dirt or germ traps, making cleaning and maintaining hygiene even easier.



All dimensions are approximate and subject to normal variation. Although every effort is made not to change the above product specification, Lecico reserve the right to do so without prior notification if necessary. All guarantees are against manufacturers defects. Full information on guarantees available upon request.