

Ecoscape Start / Finish Clip (with screw) ECO09SF

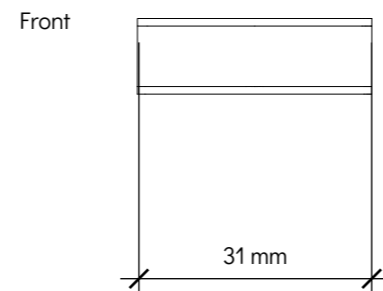
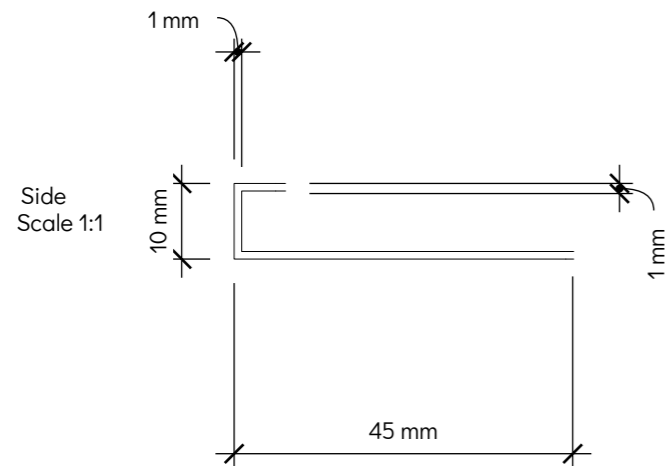
Material: Clip: Powdercoated Stainless Steel
Screw: Powdercoated Stainless Steel

Finish: Black

Specification:

Clip: Start / Finish Clip for composite decking boards
Screw: 4.5 x 63mm Screw requires T15 screwdriver bit

T15 Screwdriver bit supplied free with box of 250no. Hidden T-Clips
Replacement bits available: "ECO09RB" (Pack of 5)

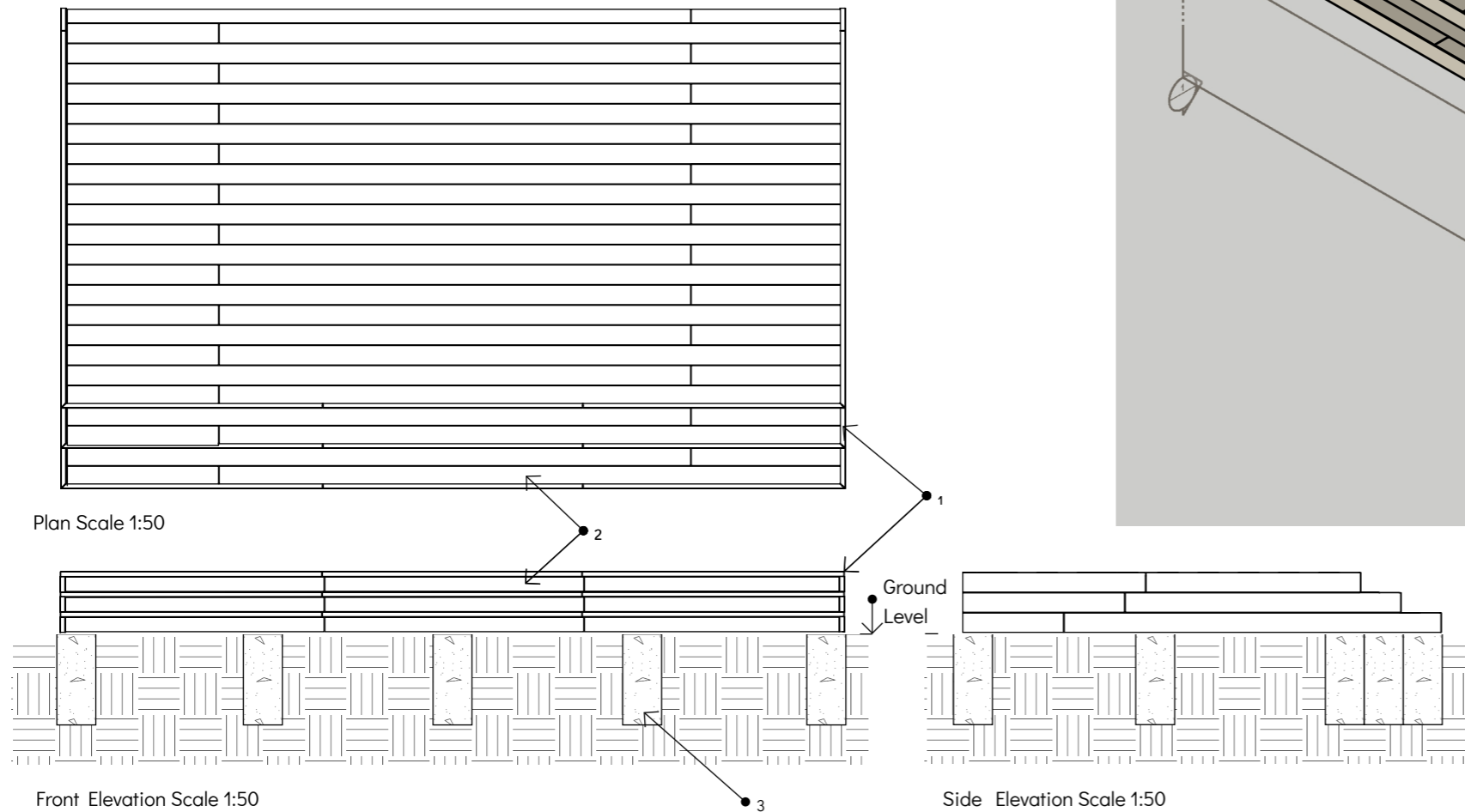
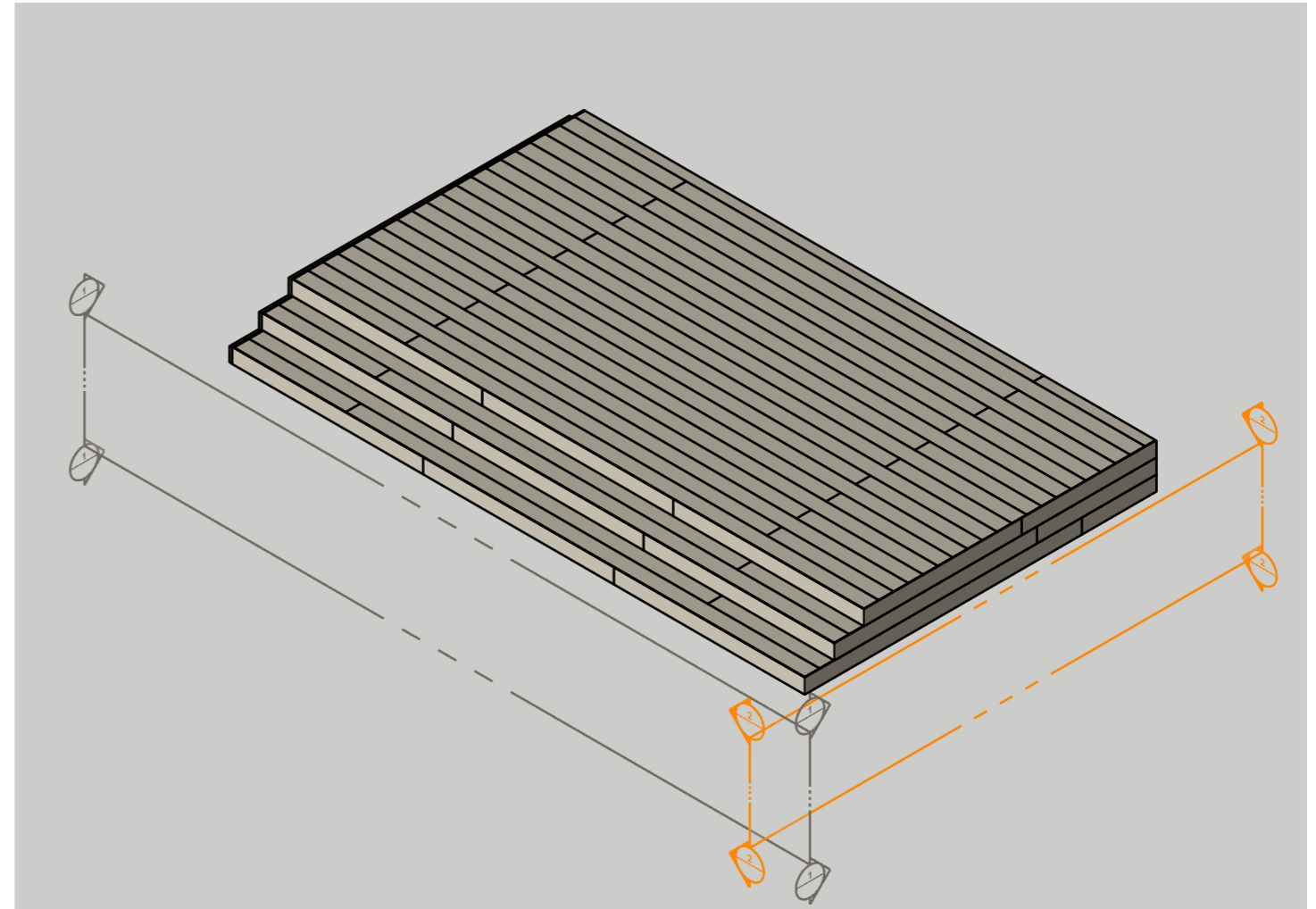


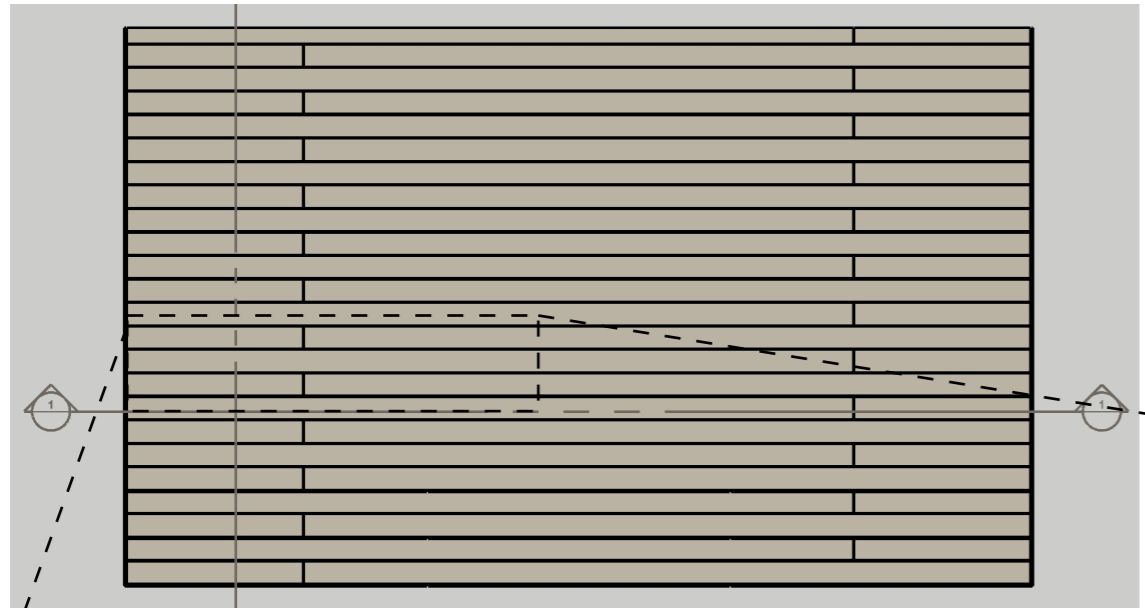
Composite Decking with Steps Overview - Typical Detail
with Flat Trim

- 1: Flat Trim
- 2: Decking Board (ECO05AS/AT/AC/AG/AW)
- 3: Concrete Post Foundations

For further information, see :

Ecoscape "Composite Decking installation Guide"





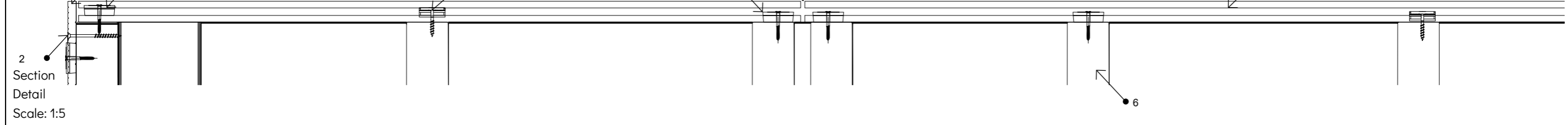
- 1: Flat Trim
- 2: Colour Coded Screw
- 3: Hidden T-Clip
- 4: Locking Clip
- 5: Expansion Gap - see Expansion Gap Table ('Composite Decking Installation Guide, p.34)
- 6: Substructure
- 7: Deck Board

For further information, see :
Ecoscape "Composite Decking installation Guide"

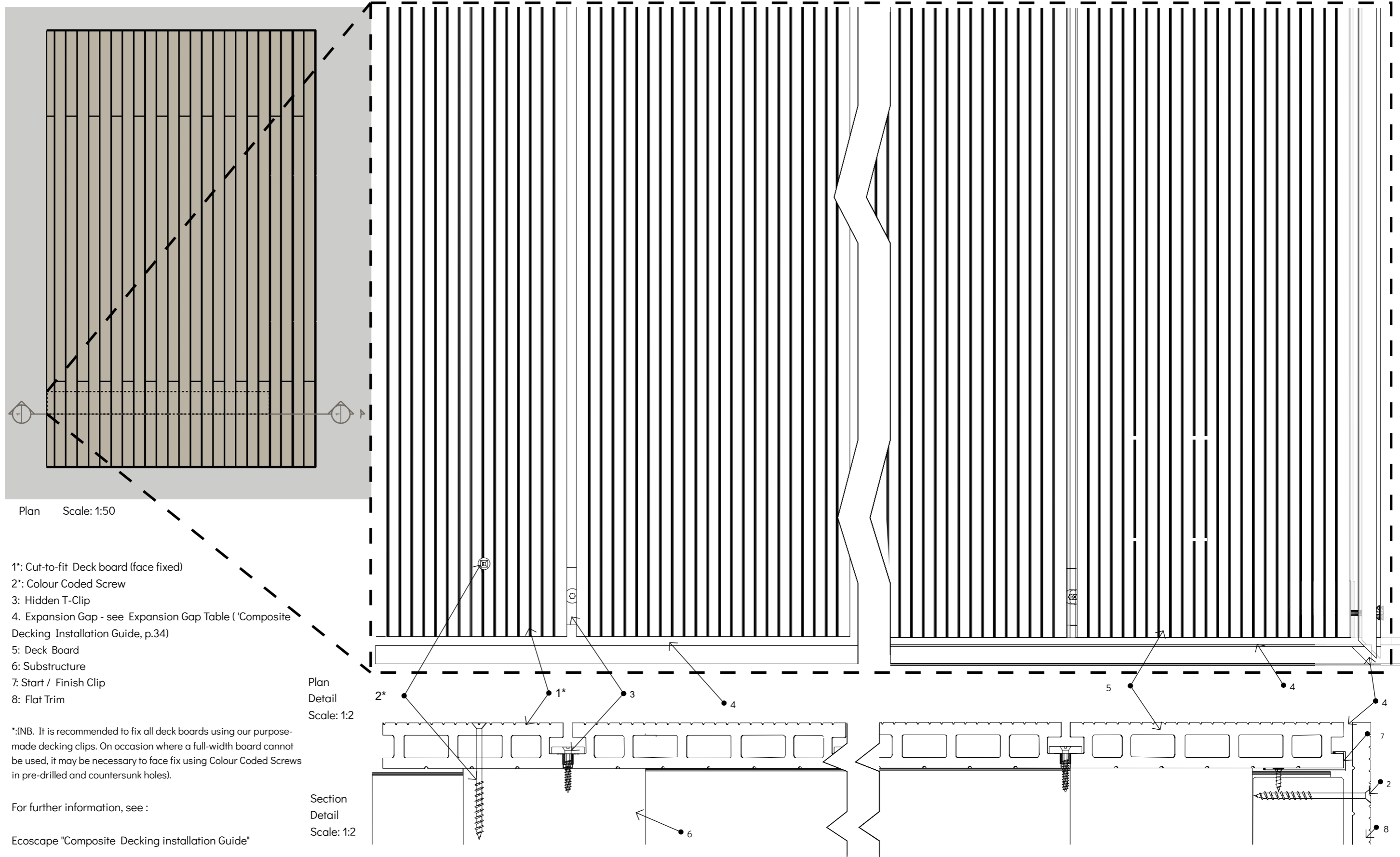
Plan Scale: 1:50



Plan Detail Scale: 1:5



Section Detail Scale: 1:5



Plan Scale: 1:50

Plan Detail Scale: 1:2

Section Detail Scale: 1:2

- 1*: Cut-to-fit Deck board (face fixed)
- 2*: Colour Coded Screw
- 3: Hidden T-Clip
- 4. Expansion Gap - see Expansion Gap Table ('Composite Decking Installation Guide, p.34)
- 5: Deck Board
- 6: Substructure
- 7: Start / Finish Clip
- 8: Flat Trim

*(NB. It is recommended to fix all deck boards using our purpose-made decking clips. On occasion where a full-width board cannot be used, it may be necessary to face fix using Colour Coded Screws in pre-drilled and countersunk holes).

For further information, see :
Ecoscape "Composite Decking installation Guide"