

Product Overview

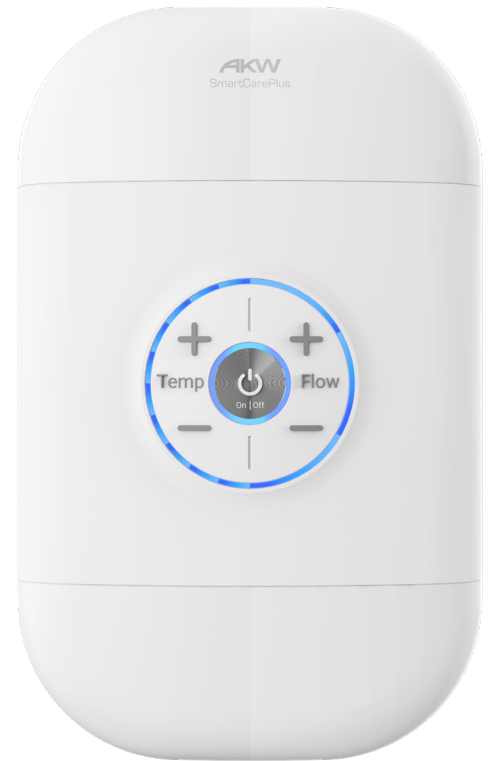
Intelligently designed to make showering an easier and less stressful experience for those with visual impairment or dementia, the SmartCare Plus electric shower benefits from a number of innovative care features and comes with a care accessory kit which addresses a range of clinical needs.

Care Features

- + Easy-to-use, push-button controls are grouped closely together and feature contrasting, raised tactile symbols to aid users with visual impairment and dementia
 - + LED-illuminated indicators and audible beeps confirm adjustment in temperature and flow settings, ideal for those with visual impairment and dementia
 - + Shower memorises last user setting for ease of use
 - + RNIB mode which enables the shower to be turned on with pre-defined settings
 - + Matt finish central control panel aids those with visual impairment and dementia
 - + Rounded surfaces and edges reduce the risk of injury in the event of a trip or fall
 - + BEAB Care certified, RNIB tried and tested, and DSDC dementia-friendly product accredited
 - + Thermostatically stabilised temperature
 - + Maximum water temperature protection with thermal cut-out device to protect shower unit from overheating
 - + Optional eco-setting limiting flow rate to 6 lpm to support the reduction of water & energy consumption
 - + Automatic shutdown prevents flooding and minimises water and energy wastage
- 
- The image shows a white, handheld electric shower unit. It has a central control panel with a blue LED ring around it. The panel includes a power button with a power symbol and the text 'on/off', and two sets of '+' and '-' buttons labeled 'Temp' and 'Flow'. The unit is shown from a three-quarter perspective, highlighting its ergonomic shape and the control panel.
- + Phased shutdown ensures a safe, reliable start up and performance
 - + Patented safety features
 - + Includes care accessory kit:
 - 2m anti-kink hose
 - 1m 150kg load-bearing riser rail
 - Shelf with non-handed integral hose retainers
 - Lever-operated sliding handset holder
 - Additional wall-mounted handset holder
 - 3-mode shower head
 - + Care shower kit is available in various colour choices, with dark blue and mid-grey rails available to provide sufficient colour contrast for those with dementia or visual impairment
 - + Optional wall-mounted remote on/off button allows users/carers to turn the shower on/off from up to 10m away; available separately
 - + Optional wireless remote control allows users/carers to turn the shower on/off and adjust temperature/flow settings from up to 10m away; available separately

Installer Features

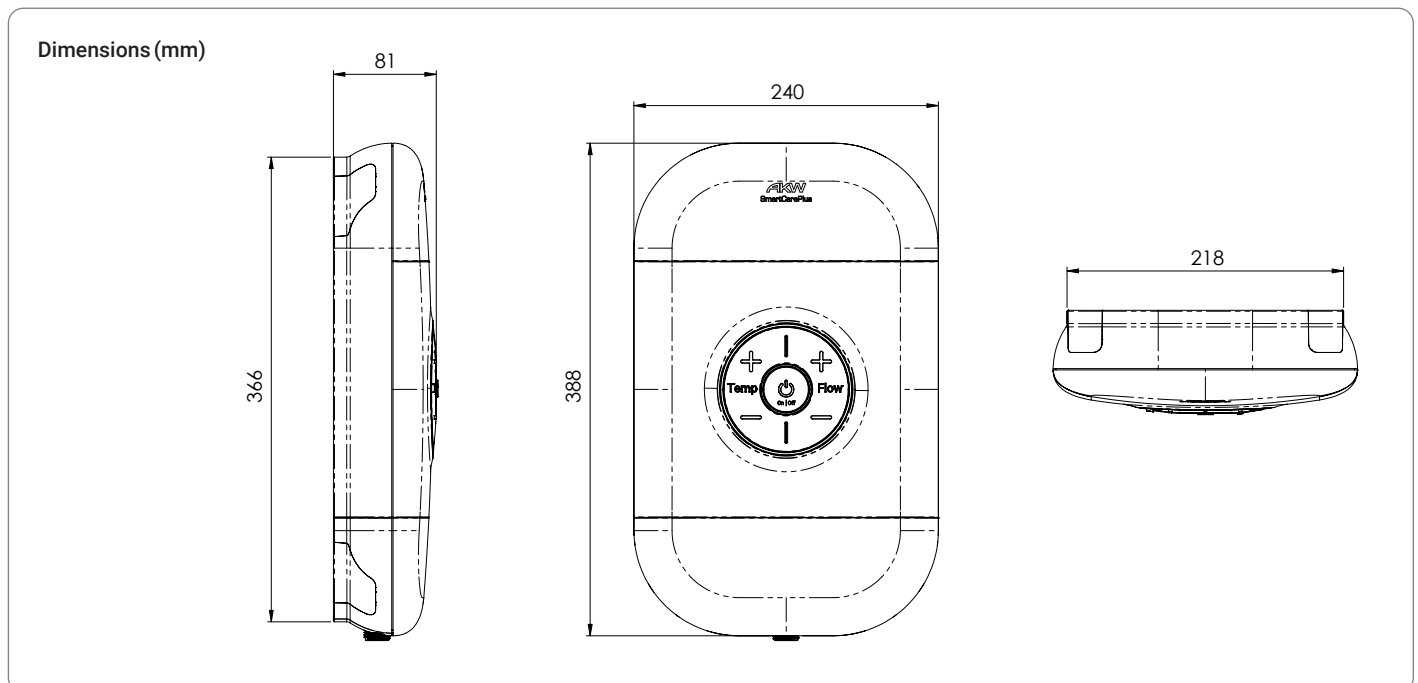
- + 8.5kW / 9.5kW / 10.5kW options
- + Quick and easy installation
- + 6 electrical / 6 water entry points
- + Dual power block for left or right hand wiring
- + Retro-fit footprint covers most manufacturers' models
 - No re-tiling required
 - Existing cable & pipework compatible
- + Supplied with stainless-steel mounting bracket to support re-use of existing fixing holes
- + Comprehensive technical after-sales support
- + Wireless connectivity to AKW DigiPumps, also compatible with Contour P12 waste pumps via a hard-wired connection
- + 5-year warranty as standard if registered within 30 days of installation



Warranty & Approvals



The AKW SmartCare Plus electric shower has been awarded DSDC Dementia-friendly product accreditation



Technical Specification

Plumbing Supply

Supply Source	Mains pressure cold water only
Minimum Dynamic Pressure	50kPa (0.5 Bar) – Recommended pressure to ensure high performance is 100kPa (1 Bar)
Maximum Static Pressure	1000kPa (10 Bar)
Inlet Water Temperature Range	3°C – 28°C
Inlet Connection	15mm push-fit
Outlet Connection	1/2" BSP Male thread fitting
Waste Pump Connections	Compatible with AKW DigiPumps (integral flow sensor or wireless connection) and Contour P12 waste pumps

Electricity Supply

Nominal Rating at 240V	10.5kW, 9.5kW & 8.5kW
Supply Fuse/Circuit Breaker	(10.5kW 45/50A), (9.5kW 40/45A) & (8.5kW 35/40A)
Residual Current Device (RCD)	30mA (must be fitted)
Supply Cable	Refer to current wiring regulations and BS 7671 to determine minimum cable size. No larger than 10mm ²
Stand-by Power Consumption	<0.5W
Isolation Switch (e.g. Pull Cord)	50 Amp Double pole with 3mm contact separation

Physical

Water Ingress Rating	IPX4
Water & Cable Entry Points	Top, bottom or back

White Care Shower Kit



Entry Points



Product Codes

AKW SmartCare Plus 8.5kW & Chrome Care Kit	29012CH
AKW SmartCare Plus 9.5kW & Chrome Care Kit	29011CH
AKW SmartCare Plus 10.5kW & Chrome Care Kit	29010CH
AKW SmartCare Plus 8.5kW & White Care Kit	29012WH
AKW SmartCare Plus 9.5kW & White Care Kit	29011WH
AKW SmartCare Plus 10.5kW & White Care Kit	29010WH
AKW SmartCare Plus 8.5kW & White Care Kit (Mid-Grey Rail)	29012MG
AKW SmartCare Plus 9.5kW & White Care Kit (Mid-Grey Rail)	29011MG
AKW SmartCare Plus 10.5kW & White Care Kit (Mid-Grey Rail)	29010MG
AKW SmartCare Plus 8.5kW & White Care Kit (Dark Blue Rail)	29012DB
AKW SmartCare Plus 9.5kW & White Care Kit (Dark Blue Rail)	29011DB
AKW SmartCare Plus 10.5kW & White Care Kit (Dark Blue Rail)	29010DB
AKW SmartCare Showers Remote On/Off Button	30316
AKW SmartCare Plus Shower Remote Control	30318

Spares & Accessories

Silver Smooth Hose (2m)	14-012-058
CAT5 Hose Retainer	18-003-045
Easy Clean Chrome Shower Handset with Spare White Face Plate	13-012-269
Easy Clean Shower Handset Spare White & Grey Face Plates	13-012-270