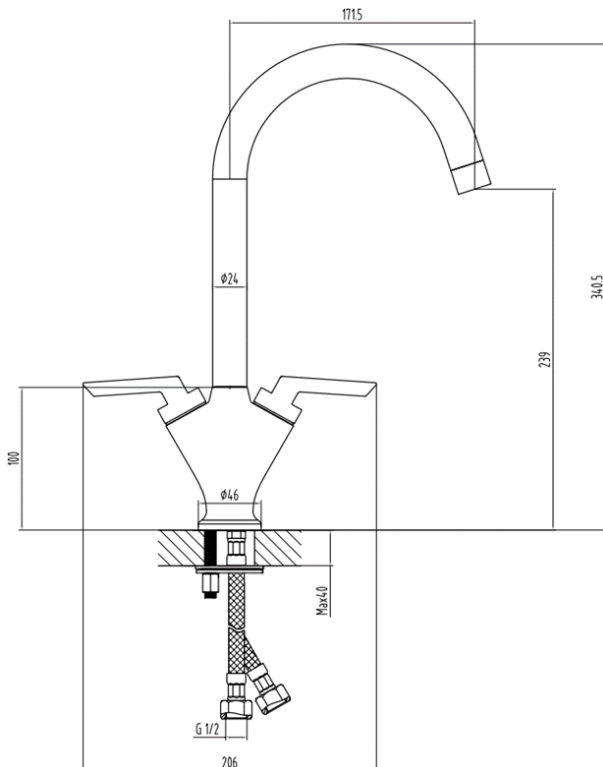


SAGITTARIUS

TAPS & SHOWERING

CODA LEVER MONOBLOC SINK MIXER KTS/235

Construction	Brass Body (CuZn40Pb18); Zinc-alloy Handles
Finishes	Chrome plated to BS EN 248
Product Type	Contemporary
Water Pressure Tested Between Standards	Min. 0.2 bar, Max. 6.0 bar
Certification	Complies with BS5412, BS EN200
Cartridge	WRAS (2206054) approved and certified
Aerator Fitting	1/4 Turn 1/2" Ceramic disc valves
Guarantee	Spout aerator G1/2" BSP Flexible inlet connection hoses
Additional Information	10 years against manufactur- ing faults (excluding ser- viceable parts)
	360° Swivel Spout



The information contained on this page was correct at the date of issue. Fitting dimensions are provided as a guide only. Some variation may occur due to manufacturing tolerances. We pursue a policy of continuing improvement in design and performance of our products and so reserve the right to change specifications without prior notice

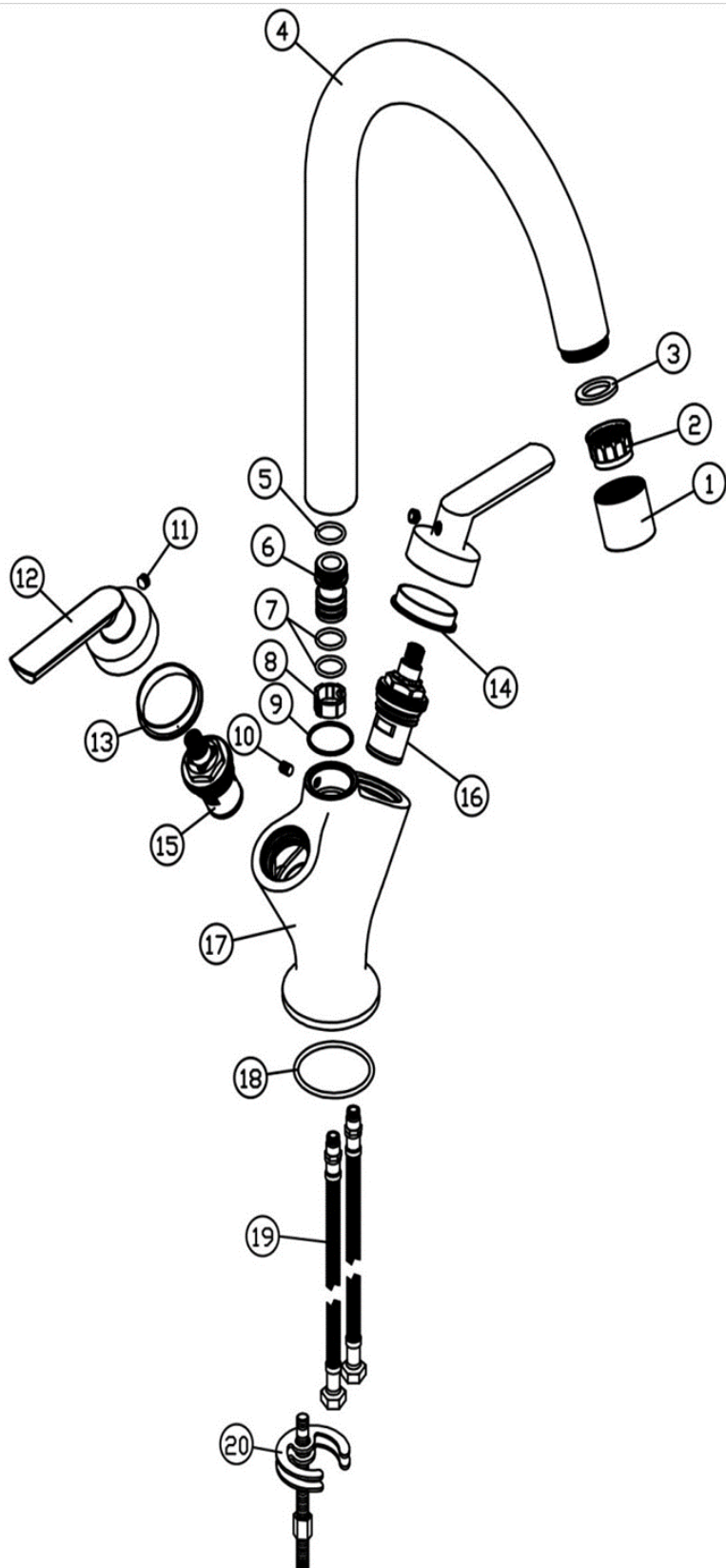
FOR FURTHER ADVICE PLEASE CONTACT :-

SAGITTARIUS LTD UNIT 1 LOWER VICTORIA STREET—CHADDERTON—OLDHAM—OL9 9TU TEL:0616 6202029

EMAIL:TECHNICAL@SAGITTARIUSTAPS.CO.UK

Flow Rates (Litres per minute)

System Pressure	0.1 Bar	0.2 Bar	0.3 Bar	0.5 Bar	1.0 Bar	1.5 Bar	2.0 Bar	3.0 Bar	4.0 Bar	5.0 Bar
	2.0	4.4	6.0	11.5	17.0	21.2	24.6	30.0	-	-



NO.	DESCRIPTION	QTY
1	NOZZLE	1
2	AERATOR	1
3	WASHER	1
4	SPOUT	1
5	"O" RING	1
6	SPOUT CONNECTOR	1
7	"O" RING	2
8	O RING	1
9	WASHER	1
10	SCREW	1
11	SCREW	2
12	HANDLE	2
13	RED WASHER	1
14	BLUE WASHER	1
15	G1/2" QUARTER-TURN COLD CARTRIDGE	1
16	G1/2" QUARTER-TURN HOT CARTRIDGE	1
17	TAP BODY	1
18	"O" RING	1
19	M10*1350 ACS FLEXI TAILS	2
20	M8 FIXING KIT	1

FOR FURTHER ADVICE PLEASE CONTACT :-
 SAGITTARIUS LTD UNIT 1 LOWER VICTORIA STREET—CHADDERTON—OLDHAM—OL9 9TU TEL:0616 6202029
 EMAIL:TECHNICAL@SAGITTARIUSTAPS.CO.UK