

Product Overview

The Tuff Form8 has a proven-effective laminated structure that offers a superior strength for shower support and 15 waste fit positions for nearly all wet room configurations.

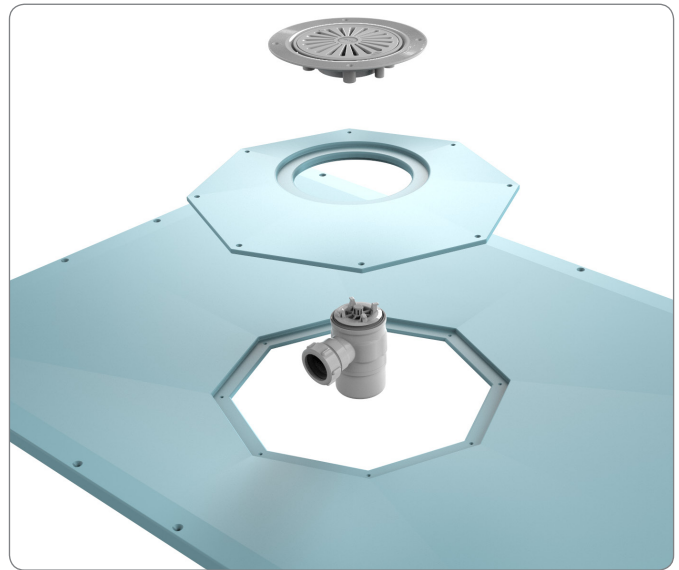
Features

- + Rotatable waste position **NEW!!**
- + Wide selection of waste options
- + Suitable for both wooden and concrete floor
- + Easily trimmable within 150mm from the octagonal plate
- + No need for under boarding
- + Pre-formed fixing holes
- + User friendly step-by-step installation guide
- + Suitable for use with underfloor heating
- + Ribbed underside structure
- + Durably supported for up to 60 stones on timber joists
- + Level-access with large size options
- + High strength GRP
- + Well-engineered 1:16 gradient

Guarantee & Approvals



Approval: BS EN 14527



Benefits

- + Suitable for all UK joist patterns, meaning minimum work for the installer to fit the former
- + Waste installation requires no tedious screw hole drilling
- + Quick and easy installation
- + Ribbed underside eliminates slippage or float during installation
- + Versatile applications
- + Peace of mind for long term use
- + Designed with a variety of end-users in mind, able to support chair users and carers
- + A solid support by the cutting-edge SMC-GRP (Sheet moulding Compound -Glass Reinforced Plastic) composite technology, enabling easy transportation and installation
- + No water pooling in the shower area

Specifier's Guide

Height of Tray:	22mm
Wood Floor:	Complete Level Access
Concrete Floor:	✓
Screeded Floor:	Complete Level Access
Corner Fitting:	✓
Alcove Fitting:	✓
Tray Handling:	Non-handed
Gravity Waste:	✓
Pumped Waste:	✓
Dry Waste:	✓

Product Specification

- + **Thickness:** 22mm to suit the 18mm UK timber floor board + 4mm plywood, no extra adjustment needed for installation
- + **Strength:** 60 stone (381 kg) on joists/
Unlimited on concrete
- + **Manufacturing technique:**
Compression moulding
- + **Recyclability:** Recyclable

Product Codes:

Description	Dimensions	code
Tuff Form8	900 x 900	21130
Tuff Form8	1000 x 1000	21131
Tuff Form8	1135 x 770	21132
Tuff Form8	1200 x 1200	21133
Tuff Form8	1300 x 820	21134
Tuff Form8	1400 x 900	21135
Tuff Form8	1500 x 820	21136
Tuff Form8	1500 x 1200	21137
Tuff Form8	1800 x 820	21138
Tuff Form8	1200 x 900*	21139

*1200 x 900 former available Q1 2020 only.

Related Product Codes

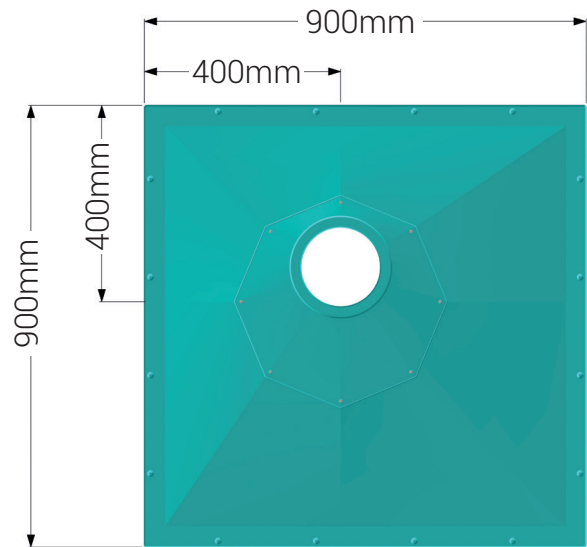
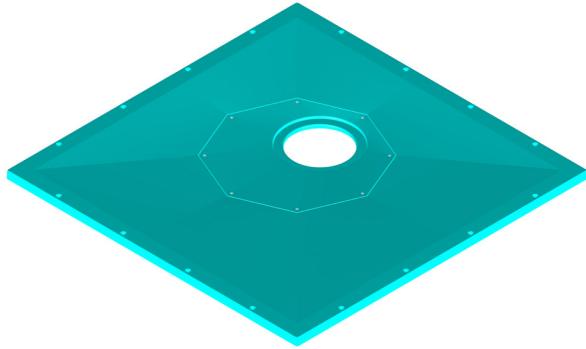
TF75 waste	25106
SS-TF75 Stainless Steel Gravity Waste	LB00101
GW50 with TFWA Adaptor	25124
GW50 with SS-TFWA Adaptor	LB00102
GW90 with Tiled Floor Adaptor	25498-UK
GW90 with Vinyl Floor Adaptor	25499-UK
GW90 Low Depth with Adaptor	25404+25409
DW90 with Tiled Floor Adaptor	25418-UK
DW90 with Vinyl Floor Adaptor	25419-UK
PGTF Pumped Gulley Waste with 15mm Outlet only	25101
22mm SilentFlow+® Waste Pump (PGTF)	25414

Compatible with gravity, pump and dry wastes GW50, GW90, TF75, PGTF, DW90 and all AKW tanking kits

Tuff Form8

Dimensions: 900 x 900

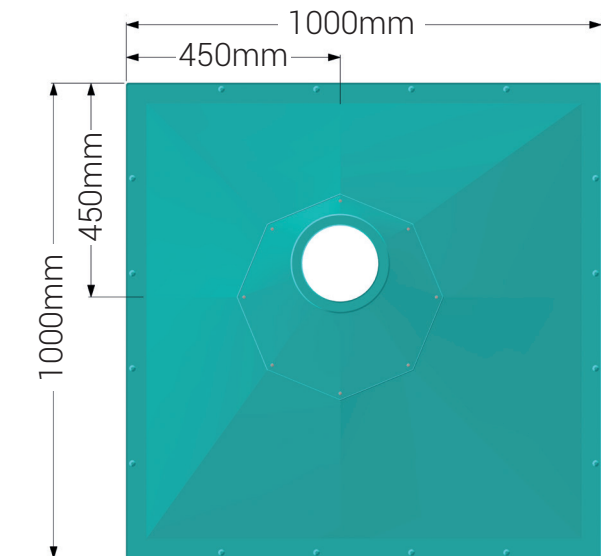
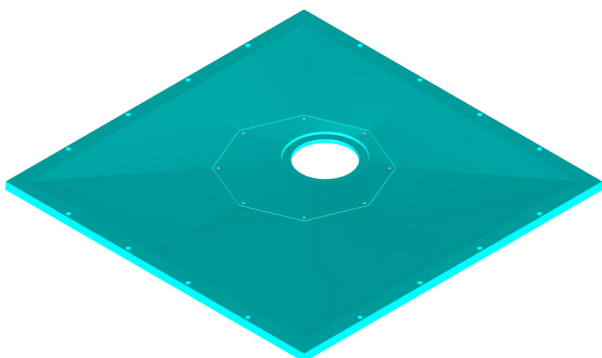
Product code: 21130



Tuff Form8

Dimensions: 1000 x 1000

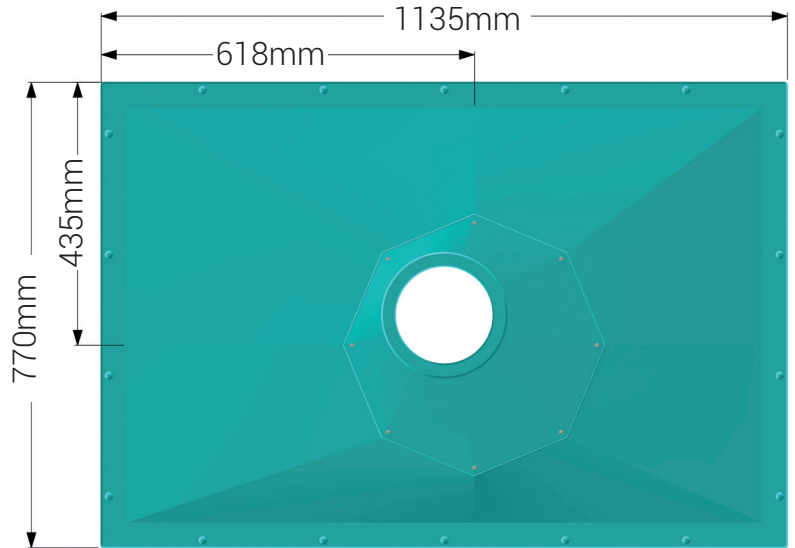
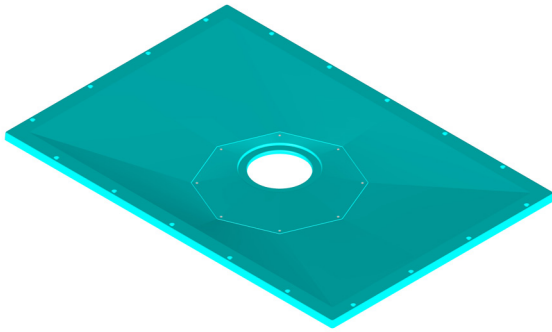
Product code: 21131



Tuff Form8

Dimensions: 1135 x 770

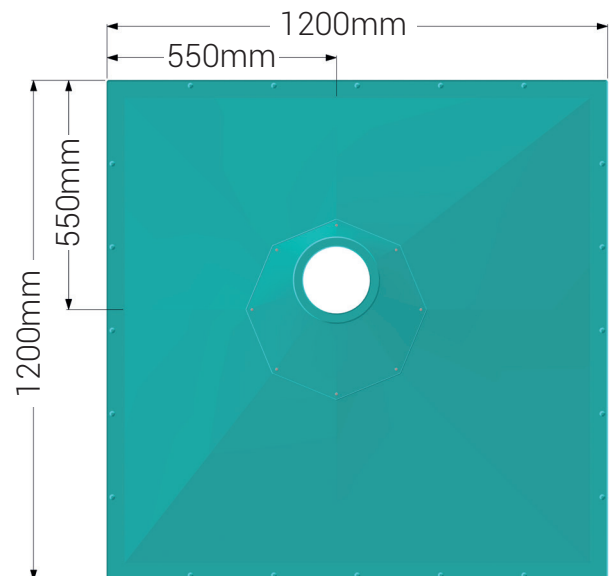
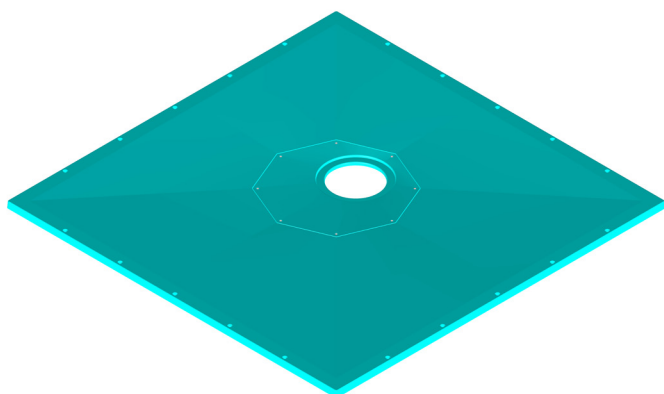
Product code: 21132



Tuff Form8

Dimensions: 1200 x 1200

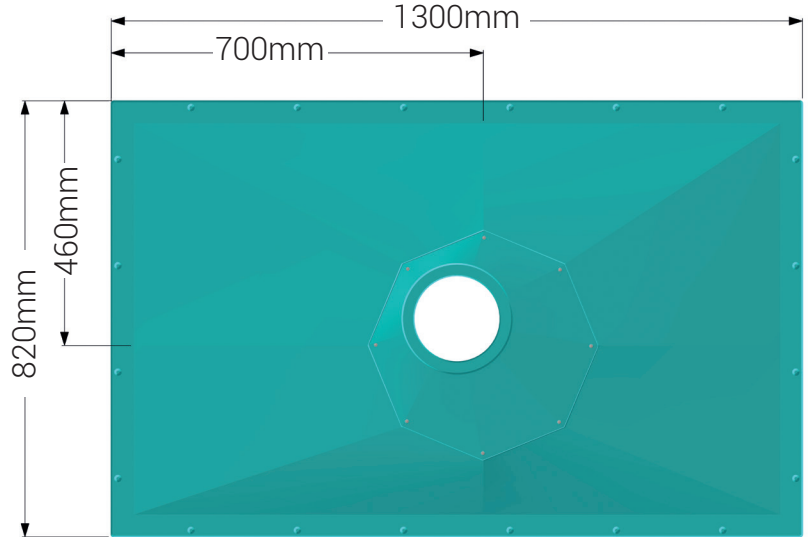
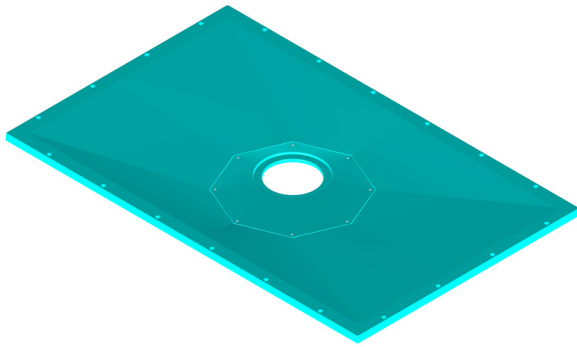
Product code: 21133



Tuff Form8

Dimensions: 1300 x 820

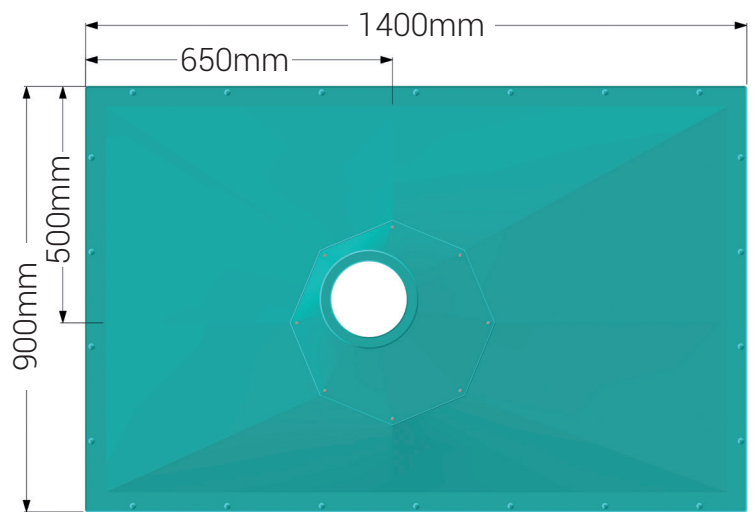
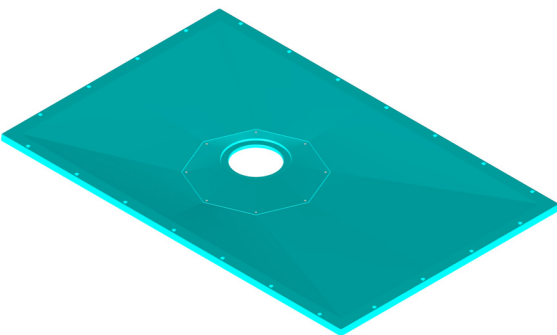
Product code: 21134



Tuff Form8

Dimensions: 1400 x 900

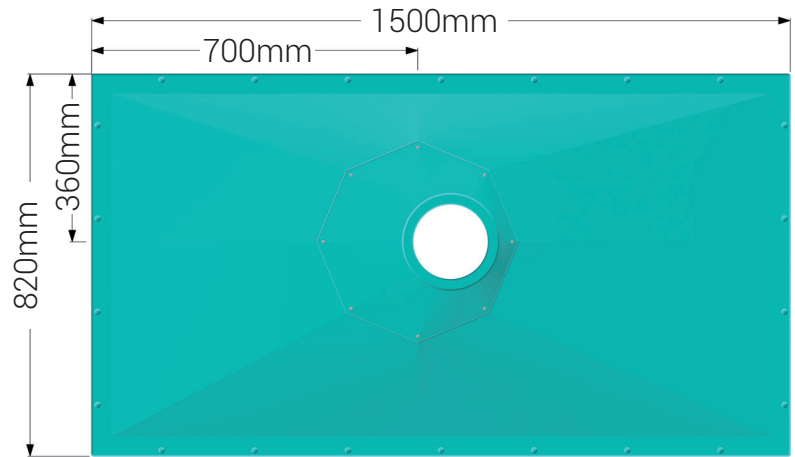
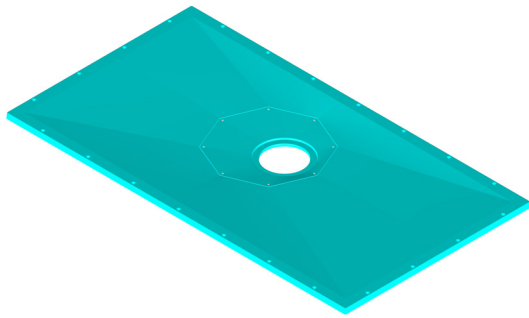
Product code: 21135



Tuff Form8

Dimensions: 1500 x 820

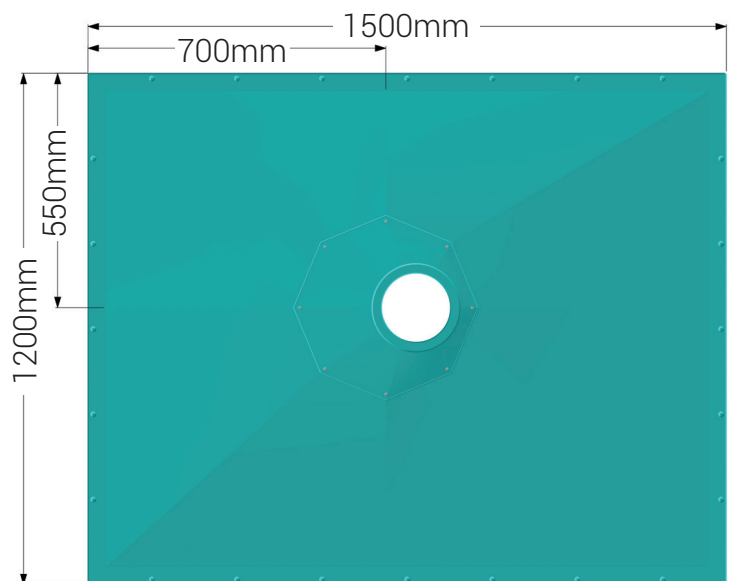
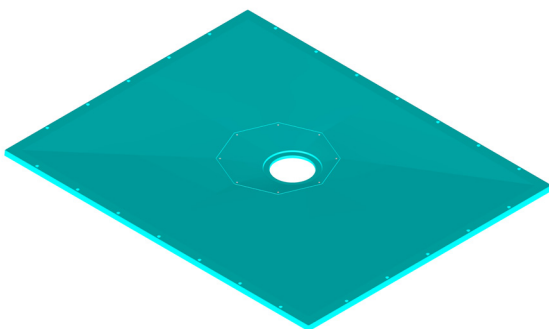
Product code: 21136



Tuff Form8

Dimensions: 1500 x 1200

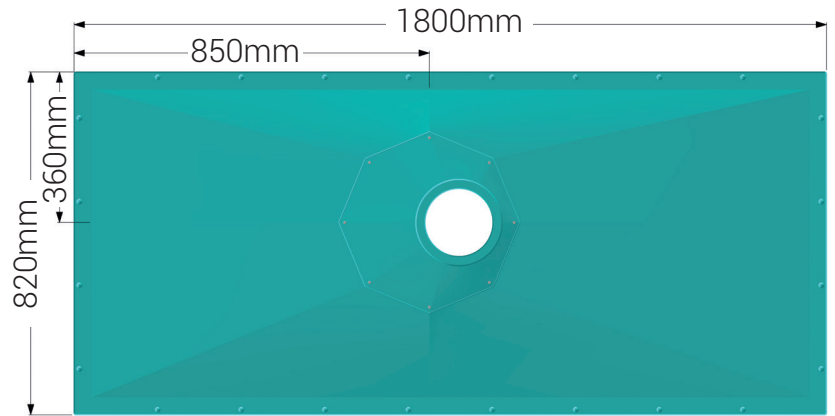
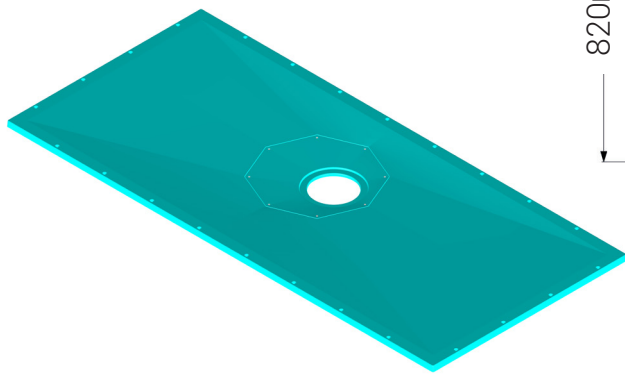
Product code: 21137



Tuff Form8

Dimensions: 1800 x 820

Product code: 21138



Tuff Form8 (Available Q1 2020)

Dimensions: 1200 x 900

Product code: 21139

