

BIRKDALE

GATE & FENCING

ACCESSORIES
CATALOGUE

— 2021/22 —

7
P013



GATEMATE
BY BIRKDALE

This block features a black gate lock mechanism with a keyhole and a handle, set against an orange background. A small icon of a key and the code 'P013' are in the top left corner.

7
P139



FENCEMATE
BY BIRKDALE

This block shows a grey metal post-to-rail connector with four yellow dots, set against a green background. A small icon of a key and the code 'P139' are in the top left corner.

7
P199



SITEMATE
BY BIRKDALE

This block displays three screws (one black, one silver, one gold) and a black driver, set against a blue background. A small icon of a key and the code 'P199' are in the top left corner.

BIRKDALE

WELCOME



None of us could have predicted a year quite like the last. It has been a challenging time for so many sectors, businesses, and individuals.

With that in mind, I would like to express my gratitude for the outstanding hard work of my team, our retail partners, industry peers and of course the incredible key workers during these unprecedented times.

Thanks to these relentless efforts, many of us have been able to continue 'business as unusual' through difficult, unpredictable months. For us at Birkdale, this has meant delivering great service and much needed supplies while adapting to ever-changing regulations and situations. Definitely no easy task!

Looking to the year ahead, for many it will be a time for rebuilding and refining business practices in the post Covid world. Through the use of

technology, we're working smarter, efficiently and more sustainably and we have been working tirelessly behind the scenes on innovations that hope to make the lives of our customers and contractors easier, save time on the job and space in the van, all while adding value to projects.



Through the use of technology, we're working smarter, efficiently and more sustainably



If the last year has taught us anything, it is that time is precious, and we need to make the most of it. Great things can happen when we work together and together, we are stronger!

John Abernethie Managing Director

GATEMATE[®]
BY BIRKDALE

FENCEMATE[®]
BY BIRKDALE

SITEMATE[®]
BY BIRKDALE

INNOVATING IN 2021



Commercial DuraPost

DuraPost, but not as you know it.
Thicker steel in longer lengths for civil projects

➤ TURN TO PG 142



DuraPost Aluminium Gate

Save time and money with a DuraPost
Aluminium Gate

➤ TURN TO PG 144



DuraPost Composite Panels

A durable, strong and maintenance-free
option to timber fencing

➤ TURN TO PG 146

CONTENTS

GATEMATE	013
Hinges	034
Locks, Latches, Catches, Hooks & Bolts	043
Field Gate Fittings	022
Premium Finish & Ornamental Ranges	054
Gate accessories	074
GATE FURNITURE + ACCESSORIES	075
Hinges	076
Field Gate Fittings	107
Locking Bars, Hasp and Staples	101
Premium Finish and Ornamental Range	128
FENCEMATE	139
DuraPost	141
Post Concrete	151
Fence Support System	152
Post Caps, Finials, Ropes & Fittings	158
Modular Railing System	166
Decking Accessories	168
FENCING ACCESSORIES	173
Rope & Wire	174
Brackets, Straps & Clips	185
Chainlink, Netting & Stock Fencing	178
SITEMATE	199
Nails & Staples	222
Nuts, Washers & Studding	248
Specialist Fencing Tools	200
Hand Tools & General Tools	211
Paints, Tapes & Adhesives	221



Our handy tabs are here to make sure you can get where you need to go as quickly as possible

MARKET LEADING SUPPORT

Here at Birkdale, quality comes as standard. We support our customers and retail partners in a number of ways:



Next Day Delivery Service

Order by 5pm for next day delivery to UK mainland addresses (3-5 working days for DuraPost®, Post Concrete, Highlands, Islands and Ireland)



Exciting innovative products

Designed to bring value and solutions to your product range, we have introduced a host of innovative new products in our range this year



Increased Marketing Support

Committed to generating demand in store for you, we have made our biggest ever investment in Marketing



Merchandising Service

Our team of merchandisers will help you increase sales through your instore displays and point of sale solutions



Industry Leading Customer Service

Built on years of experience, our knowledgeable team are more than happy to assist you



An Environmental Commitment

We source quality products that meet industry standards while striving to reduce waste where possible

Simple, honest, on-time, quality service

HOW DO I ORDER?

You will have a dedicated team of people working on your account at all times



Your Area Sales Manager

- Your face to face contact, we can offer face to face or virtual meetings
- They will visit you in store and work with you to generate demand from your customers



Your Internal Account Manager

- Your main office contact
- They will book your appointments, provide quotes, take your orders and help find opportunities to grow our businesses together



Your Customer Loyalty Executive

- Your office based point of contact for all your queries and orders
- Can also take your orders and help with any queries



Laurie Gibbs
Regional Sales
Manager Scotland
& Northern England
T: 07464 983301



Bruce Dickson
Regional Sales
Manager North East
T: 07880 400975



Mark Watson
Regional Sales
Manager Ireland
T: +353 (0)87 931 0551



Ben Cane
Regional Sales
Manager South East
& Midlands
T: 07848 459318



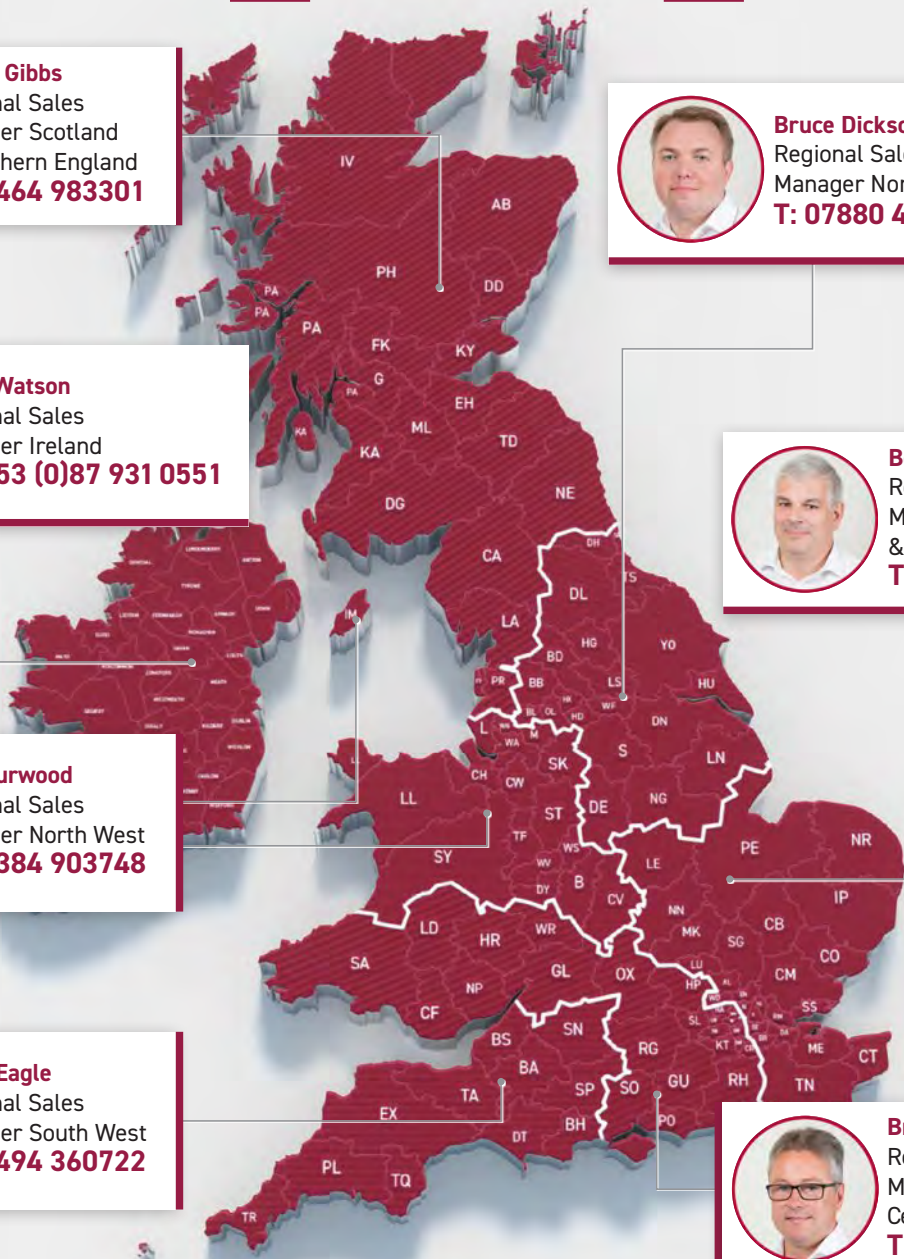
Neil Burwood
Regional Sales
Manager North West
T: 07384 903748



Ricky Eagle
Regional Sales
Manager South West
T: 01494 360722



Brian Markham
Regional Sales
Manager South
Central & South Wales
T: 07848 458519



HOW TO ORDER

OUR MERCHANDISING SERVICE

Our Merchandising team is committed to supporting you in store. They will create effective displays designed to promote and sell your stock.

Our overall aim is to maximise your sales!



SUPPORT INCLUDES:

- ✓ Marketing support on and offline, designed to generate demand for you in store
- ✓ Installing eye catching, effective displays in store
- ✓ Advice determining which products will suit your customer base
- ✓ Supplying point of sale materials
- ✓ Product training for your staff
- ✓ Ongoing support and recommendations to help increase your sales



FOR MORE INFORMATION CALL US TODAY: 0345 450 9000

**WE CAN
HELP MAXIMIZE
EVERY SALES
OPPORTUNITY!**

YOUR STORE WILL BENEFIT FROM:



Eye catching displays

Designed to grab your customers attention



Well organised stands

Easy to use and quick to restock



Different solutions available

We will work with you to maximise the space you have



Visually appealing packaging

Our packaging is consistent and distinctive

MERCHANDISING OPTIONS INCLUDE:



Banners



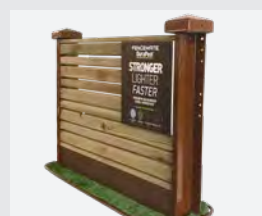
Hangers



Racks



Bins



Display Stands

NEW PRODUCTS FOR 2021

Here at Birkdale, we pride ourselves on developing creative and innovative products that are built to last. 2021 sees us launching DuraPost Composite Panels, Z-Boards, Aluminium Gate and Commercial DuraPost.



DURAPOST COMPOSITE PANELS

DuraPost[®]
BY BIRKDALE

Our DuraPost Composite Panels are a strong and durable alternative to timber. Made from up to 70% recycled material, this wood/plastic composite is easy to install, adjustable on site but also maintenance free once fitted.

DuraPost Composite Panels come in a range of three colours to match your posts and benefit from an aluminium railing structure to provide stability and longevity, these are also powder coated to colour match your DuraPosts. Self drilling screws are supplied as standard.

IN DETAIL

- Completely maintenance free, once fitted
- 3 powder coat colour options: Anthracite Grey, Olive Grey and Sepia Brown
- Panels include self drilling screws (no need for any predrilling)
- UV tested, and has, overall, a longer lifespan compared to timber

AVAILABLE COLOURS



ANTHRACITE GREY

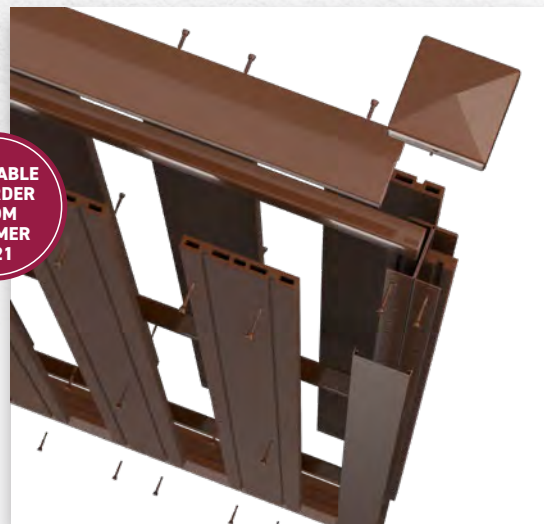


OLIVE GREY



SEPIA BROWN

AVAILABLE
TO ORDER
FROM
SUMMER
2021



PANEL SIZING

VERTICAL PANELS

3'x6' (91.4mm x 1830mm)

5'6" x 6' (1676mm x 1830mm)

6' x 6' (1830mm x 1830mm)

HORIZONTAL PANELS

5'6" x 6' (1676mm x 1830mm)

Note:

You can make hit and miss or closeboard fencing with vertical or horizontal fence panels



TURN TO PG 146



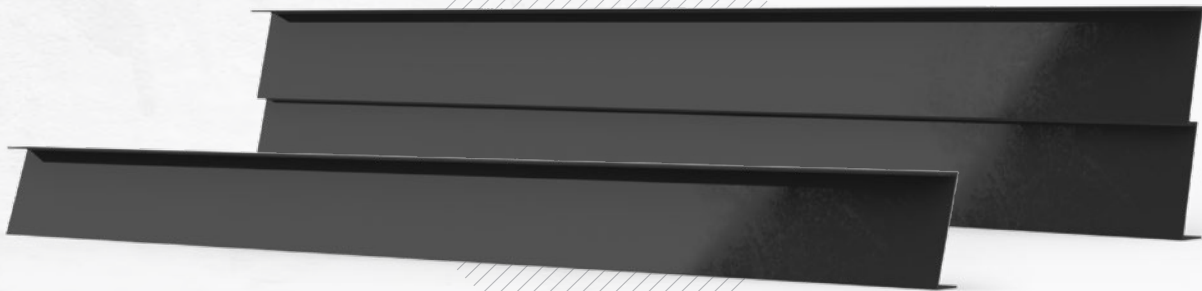
We're a company built by fencers, for fencers and we want to help you work smarter and more efficiently

MARK NAYLOR, PRODUCT DEVELOPMENT MANAGER



DURAPOST Z-BOARD

DuraPost[®]
BY BIRKDALE



New for 2021 are the Z-Boards by DuraPost. Made from glass-reinforced pultruded plastic, these gravel boards are a strong and lightweight alternative to standard gravel boards and 75% lighter than concrete. DuraPost Z-Boards have a unique z-shape design, ensuring they take up 80% less space than other conventional options when stacked. They also need no maintenance, are UV tested and have a high resistance to the elements.

IN DETAIL

- 75% lighter than concrete
- 150mm and 300mm heights available
- Unique z-shape design, when stacked, saves 80% more space
- Maintenance free with a high resistance to weathering and the elements
- A range of lengths, including: 1.83m, 2.4m and 3m, but you can easily cut to length too

AVAILABLE COLOURS



ANTHRACITE GREY



OLIVE GREY



SEPIA BROWN



TURN TO PG 148

NEW PRODUCTS FOR 2021



DURAPOST ALUMINIUM GATE

DuraPost[®]
BY BIRKDALE

Our DuraPost Aluminium Gate is a versatile addition to any project with width and height you can tweak on site, no need to go back and forth measuring up. Fit and install to a DuraPost gate post or standard timber post. Our DuraPost Gate frame is made from 100% aluminium extrusion, while its panel can be created using DuraPost Composite Gravel Boards or your own wood panelling. The fixings required for installation, include a frame, gate slam, lock, hinges and fixings.

IN DETAIL

- 100% recyclable
- Powder coated frame, available in Anthracite Grey, Olive Grey and Sepia Brown
- Complements the current DuraPost range of gateposts and composite gravel boards
- Alter to suit any width/aperture
- Fits a standard 72mm Centre Din lock with standard Euro Cylinder

AVAILABLE
TO ORDER
APRIL 2021

Complete the look: Order DuraPost composite gravel boards for the centre panels. Available in three colours.



AVAILABLE COLOURS



ANTHRACITE GREY



OLIVE GREY



SEPIA BROWN



TURN TO PG 144



COMMERCIAL DURAPOST

DuraPost[®]
BY BIRKDALE

DuraPost was one of our biggest innovations in 2018, and we're building on that success by launching Commercial DuraPost.

Made from 2.5mm galvanised steel, Commercial DuraPost provides superior strength for higher fencing solutions up to 4m above ground. Designed for residential work and civil projects such as sound-proofing around supermarkets, petrol stations, takeaways, drivethroughs and road-side fencing, Commercial DuraPost conforms to BS EN 1794-1:2018 standards and has been static load tested to 1100kg.

IN DETAIL

- Made from 2.5mm galvanised steel
- Available in 2.4m, 3m, 3.4m, 4m and 5m lengths, making it suitable for higher fencing solutions (up to 4m above ground)
- Conforms to BS EN 1794-1:2018 design standards
- Static load tested to 1100kg
- Galvanised steel supplied as standard
- Powder coating option for 3 colourways (Anthracite Grey, Olive Grey and Sepia Brown) are available, contact our team for pricing options.

AVAILABLE COLOURS



ANTHRACITE GREY



OLIVE GREY



SEPIA BROWN



GALVANISED



[TURN TO PG 142](#)

OUR FINISHES

There are a number of finishes available across all our ranges; offering different levels of corrosion resistance and a choice of price points.



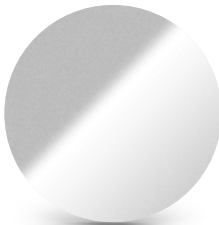
Self Colour

Unfinished steel. These products are typically used in fabrication, and will naturally rust very quickly – this should be removed prior to galvanisation.



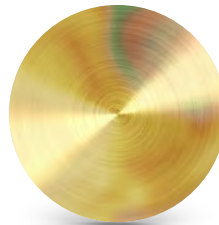
Epoxy Black/Epoxy Brown

Polyester powder coating is sprayed onto steel and then baked in an oven, resulting in a smooth finish. Provides a reasonable corrosion resistance. The finish on moving parts can flake off meaning that the steel will corrode more easily.



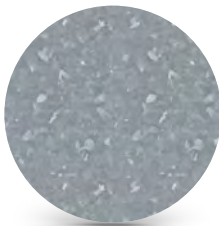
BZP

Also known as Zinc Plated. These products have been finished with a process of electroplating zinc onto steel, resulting in a shiny finish about 6-8 microns thick. Although zinc plated products are typically cheaper than galvanised ones, they usually rust more easily due to the thinner coating.



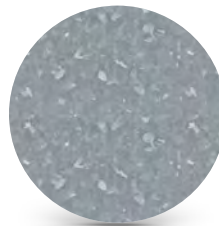
YPZP

Also known as BZP/Yellow Passivated. These products have a zinc plated finish with an additional yellow passivating treatment. This extra layer increases the corrosion resistance and gives the product a gold appearance.



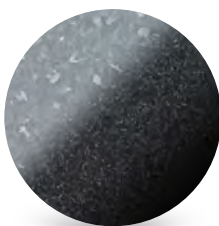
Pre-Galvanised

These products are fabricated from sheet steel that has already been galvanised, giving a finish approximately 20 microns thick. The resulting corrosion resistance is between that of hot-dip galvanising and zinc plating.



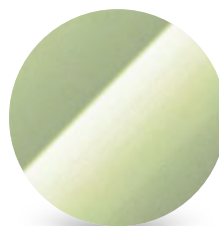
Galvanised

A 'hot-dip' or 'spelter' galvanised finish approximately 60 microns thick. The product is dipped in molten zinc, resulting in a thick, rough coating that has a high corrosion resistance.



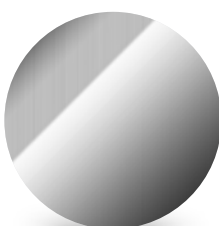
Premium Black

A 'hot-dip' galvanised finish with a black polyester powder coating on top. This double layer results in a high level of corrosion resistance and attractive, smooth appearance.



Ruspert® Green/Silver/Black

Ruspert® is a rustproof treatment technology with superior corrosion resistance. An organic coating, containing aluminium flakes, and special rustproof paint passivates the metallic layer, preventing intrusion from corrosive factors and controlling the self-sacrificial galvanic effect of zinc.



Stainless Steel

Stainless steel is an iron alloy with high levels of chromium; giving it an external layer that is virtually rust free. Our premium range products are made from marine grade 316 stainless steel – ideal for coastal and other high-moisture environments.



CORROSION RESISTANCE

	No level of corrosion resistance
	Limited level of corrosion resistance
	Low level of corrosion resistance
	Medium level of corrosion resistance
	High level of corrosion resistance
	Almost total corrosion resistance

PREMIUM QUALITY PRE-PACKED GATE FURNITURE AND ACCESSORIES

014 Locks, Security and Handles

022 Field Gate Fittings

033 Complete Gate Fixing Kits

034 Hinges

043 Latches, Catches, Hooks & Bolts

052 Hasp & Staples

053 Signs & Reflectors

054 Premium Finish Range

060 Ornamental Range

064 High Performance Range

067 Metal Gates

070 Handrail Brackets

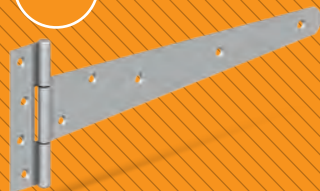
070 Chain, Wire & Rope Fittings

074 Fencing Accessories

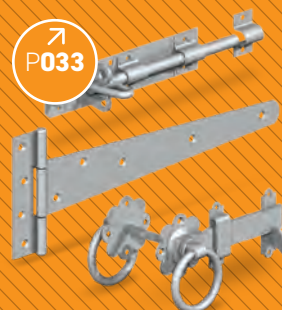
P018



P034



P033



P014



GATEMATE® LOCKS, SECURITY AND HANDLES

GATEMATE® Long Throw Locks

GATEMATE®
BY BIRKDALE

EURO PROFILE LONG THROW LOCK

High security
stainless steel
screws and driver
bit included



Elongated anti-rattle
keep with anti-chafe
plate to prevent wear on
the face of your post

High corrosion
resistance; 316
stainless steel
locking bolt

Narrowed body to allow
installation at any height
on stile; double thickness
back plate

PATENTED
GB2559189

High security 6 pin lock
barrel; available to suit
50mm and 70mm gates

Polished stainless
steel escutcheon
plate

Unique bolt design
with hardened core
to prevent cutting

Comes with 5
keys as standard

Convenient, durable and reliable security by
GATEMATE®

- Suitable for gates, sheds and garage doors
- Double or single sided locking options
- Yale profile key
- Can be keyed alike to any key number, enquire for more details!
- Keyed alike locks also available
- Comprehensive fitting instructions with self adhesive drilling template for easy installation
- Handles to suit available separately, see page 017



- Boost sales with a Counter Display Stand
- Order six Euro Profile Long Throw locks on initial order and receive a stand for FREE!
- Call your Account Manager today

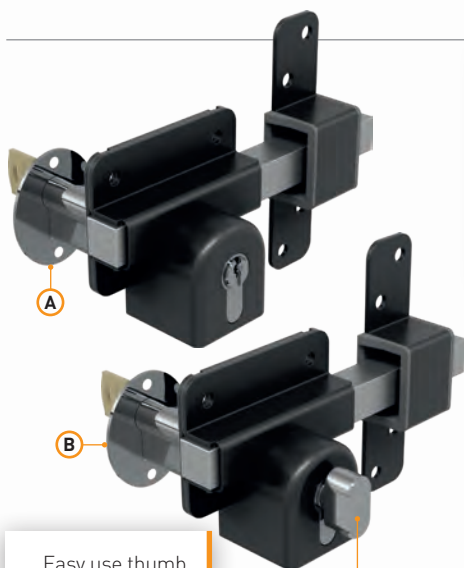
PREMIUM
QUALITY

PRE
PACKED

FIXINGS
INCLUDED

GATEMATE® Euro Profile Long Throw Lock

- High security Euro Profile 6-pin barrel; allowing the flexibility to go to any approved key cutting company to duplicate keys
- High corrosion resistance; grade 316 stainless steel shoot bolt
- Elongated anti-rattle keep to prevent rattling during windy weather
- Unique bolt design with hardened steel core and chrome escutcheon plate
- Drill bits and stainless steel security screws included

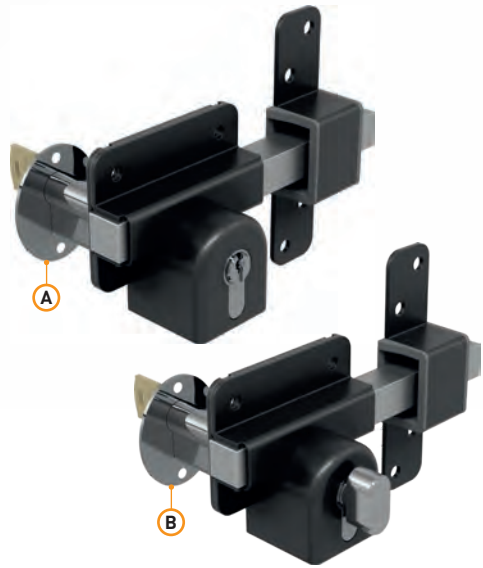


Easy use thumb
turn on single
locking option

LOCK TYPE	FINISH	SIZE INS (MM)	KEYED ALIKE	MIN. ORDER QTY	OUTER CARTON QTY	CODE
Double Locking (A)	Black/ Stainless Steel	2 (50)	No	1	10	149 0086
Double Locking (A)	Black/ Stainless Steel	2½ (70)	No	1	10	149 0096
Single Locking (B)	Black/ Stainless Steel	2 (50)	No	1	10	149 0106
Single Locking (B)	Black/ Stainless Steel	2½ (70)	No	1	10	149 0116

GATEMATE® Euro Profile Long Throw Lock - Keyed Alike

LOCK TYPE	FINISH	SIZE INS (MM)	KEYED ALIKE	MIN. ORDER QTY	OUTER CARTON QTY	CODE
Double Locking (A)	Black/ Stainless Steel	2 (50)	Yes	1	10	149 0126
Double Locking (A)	Black/ Stainless Steel	2¾ (70)	Yes	1	10	149 0136
Single Locking (B)	Black/ Stainless Steel	2 (50)	Yes	1	10	149 0146
Single Locking (B)	Black/ Stainless Steel	2¾ (70)	Yes	1	10	149 0156



GATEMATE® Pull Handle for Euro Profile Long Throw Lock

- Add the finishing touch to your Euro Profile Long Throw Lock with a pull handle
- Compatible with the GATEMATE® High Security Escutcheon (149003C)

FINISH	SIZE INS (MM)	MIN. ORDER QTY	INNER CARTON QTY	OUTER CARTON QTY	CODE
Epoxy Black	8 (200)	1	5	50	147 2013
Chrome	8 (200)	1	5	50	147 201C



GATEMATE® Escutcheon for Euro Profile Long Throw Lock

Escutcheon comes with Euro Profile Long Throw Lock as standard

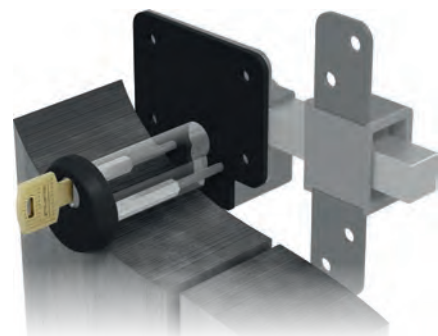
FINISH	MIN. ORDER QTY	CODE
Polished stainless steel	1	149 001C



GATEMATE® High Security Escutcheon for Euro Profile Long Throw Lock

- Ensure the security of your GATEMATE® Euro Profile Long Throw Lock by installing this high security escutcheon
- Anti-cut, anti-tamper and anti-drill, this escutcheon provides high intruder resistance
- Clean, in-line design
- High corrosion resistance with a black finish

FINISH	MIN. ORDER QTY	OUTER CARTON QTY	CODE
Epoxy Black	1	12	149 003C



GATEMATE® Key Blank for Euro Profile Long Throw Lock



FINISH	UNIT QTY	MIN. ORDER QTY	CODE
Chrome	1	1	149 000C

GATEMATE® Premium Long Throw Lock

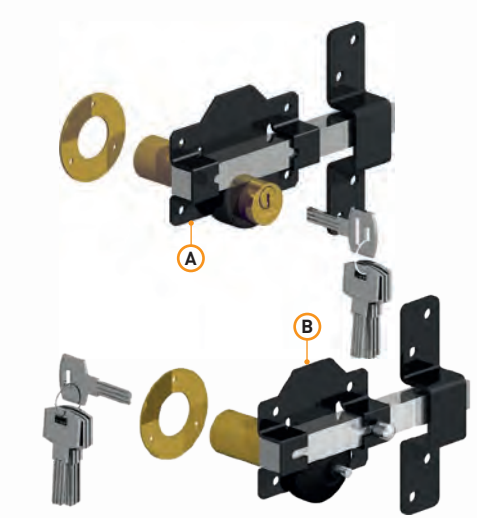


**HANDLES
TO SUIT
AVAILABLE
SEPARATELY,
SEE PAGE 17**

- Quality Long Throw gate locks, available with single or double locking bolts and in two different barrel lengths
- 6 pin lock barrel
- Stainless steel shoot
- All locks supplied with 5 keys
- 28mm drill bit included
- Includes all fixings
- Locks available to suit 50mm or 70mm doors and gates

LOCK TYPE	FINISH	SIZE INS (MM)	KEYED ALIKE	MIN. ORDER QTY	OUTER CARTON QTY	CODE
Double Locking (A)	Stainless Steel/Black	2 (50)	No	1	20	149 0186
Double Locking (A)	Stainless Steel/Black	2¾ (70)	No	1	20	149 0196
Single Locking (B)	Stainless Steel/Black	2 (50)	No	1	20	149 1106
Single Locking (B)	Stainless Steel/Black	2¾ (70)	No	1	20	149 1116

GATEMATE® Premium Long Throw Lock - Keyed Alike



LOCK TYPE	FINISH	SIZE INS (MM)	KEYED ALIKE	MIN. ORDER QTY	OUTER CARTON QTY	CODE
Double Locking (A)	Stainless Steel/Black	2 (50)	Yes	1	20	149 1126
Double Locking (A)	Stainless Steel/Black	2¾ (70)	Yes	1	20	149 1136
Single Locking (B)	Stainless Steel/Black	2 (50)	Yes	1	20	149 1146
Single Locking (B)	Stainless Steel/Black	2¾ (70)	Yes	1	20	149 1156

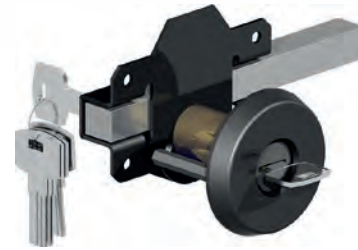
GATEMATE® Pull Handle for Premium Long Throw Lock

FINISH	SIZE INS (MM)	MIN. ORDER QTY	INNER CARTON QTY	OUTER CARTON QTY	CODE
Epoxy Black	8 (200)	1	5	50	147 2003
Brass	8 (200)	1	5	50	147 2005
Chrome	8 (200)	1	5	50	147 200C



GATEMATE® Security Escutcheon for Premium Long Throw Lock

- Super easy to fit, this escutcheon encloses the exposed part of the lock barrel, and bolts securely through the gate to a back plate that sits neatly behind the lock plate
- High intruder resistance
- All fixings and fitting instructions included
- Anti-cut, anti-tamper and anti-drill
- Clean, in-line design



FINISH	MIN. ORDER QTY	CODE
Epoxy Black	1	149 0006

GATEMATE® Additional Keys for Premium Long Throw Lock

TYPE	FINISH	MIN. ORDER QTY	OUTER CARTON QTY	CODE
Blank	Chrome	1	1000	149 0000
Cut to key number	Chrome	1	-	CUTKEY



GATEMATE® Spade Drill for Long Throw Lock

SIZE (MM)	MIN. ORDER QTY	CODE
28	1	SPO 0280



GATEMATE® Gate Handles

GATEMATE® Cast Door-Gate Pull Handles

FINISH	SIZE INS (MM)	MIN. ORDER QTY	CODE
Galvanised	6 (150)	5	537 1501
Epoxy Black	6 (150)	5	537 1503



GATEMATE® Pressed Steel Pull Handle

FINISH	SIZE INS (MM)	MIN. ORDER QTY	CODE
BZP	7 (175)	5	547 1752
Epoxy Black	7 (175)	5	547 1753



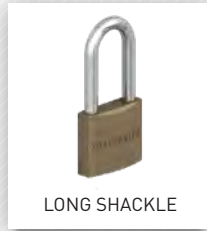
GATEMATE® Padlocks

GATEMATE®
BY BIRKDALE

BRASS PADLOCK

Our brass padlocks are manufactured from premium quality materials to ensure a high level of security. Also available with a long shackle.

- Supplied with 3 keys
- High precision machined pins
- Available in single, double and quadruple pack quantities
- Keyed alike options also available



Hardened shackle to prevent cutting

Solid brass body



GATEMATE® Brass Padlock



FINISH	SIZE INS (MM)	KEYED ALIKE	UNIT QTY	MIN. ORDER QTY	CODE
Brass	1¼ (30)	No	Pack of 1	5	148 0300
Brass	1½ (40)	No	Pack of 1	5	148 0400
Brass	2 (50)	No	Pack of 1	5	148 0500
Brass	2½ (60)	No	Pack of 1	5	148 0600
Brass	3 (70)	No	Pack of 1	5	148 0700
Brass	1½ (40)	Yes	Pack of 2	5	148 2400
Brass	2 (50)	Yes	Pack of 2	5	148 2500
Brass	1½ (40)	Yes	Pack of 4	5	148 4400
Brass	2 (50)	Yes	Pack of 4	5	148 4500

With hardened shackle

GATEMATE® Brass Padlock with Long Shackle



FINISH	SIZE INS (MM)	KEYED ALIKE	MIN. ORDER QTY	CODE
Brass	1½ (40)	No	5	148 0410
Brass	2 (50)	No	5	148 0510

With hardened shackle

GATEMATE® Heavy Duty Armoured Block Padlock

FINISH	SIZE INS (MM)	KEYED ALIKE	UNIT QTY	MIN. ORDER QTY	CODE
Stainless Steel/ Nickel Plated	2½ (60)	No	Pack of 1	5 Packs	708 0600
Stainless Steel/ Nickel Plated	2¾ (70)	No	Pack of 1	5 Packs	708 0700
Stainless Steel/ Nickel Plated	3¼ (80)	No	Pack of 1	5 Packs	708 0800
Stainless Steel/ Nickel Plated	3½ (90)	No	Pack of 1	5 Packs	708 0900
Stainless Steel/ Nickel Plated	2¾ (70)	Yes	Pack of 2	5 Packs	708 2700
Stainless Steel/ Nickel Plated	3¼ (80)	Yes	Pack of 2	1 Pack	708 2800



GATEMATE® Laminated Steel Padlock

FINISH	SIZE INS (MM)	KEYED ALIKE	UNIT QTY	MIN. ORDER QTY	CODE
Laminated Steel	1¼ (30)	No	Pack of 1	5	713 0300
Laminated Steel	1½ (40)	No	Pack of 1	5	713 0400
Laminated Steel	2 (50)	No	Pack of 1	5	713 0500
Laminated Steel	2½ (60)	No	Pack of 1	5	713 0600
Laminated Steel	1½ (40)	Yes	Pack of 2	5	713 2400
Laminated Steel	2 (50)	Yes	Pack of 2	5	713 2500
Laminated Steel	1½ (40)	Yes	Pack of 4	5	713 4400
Laminated Steel	2 (50)	Yes	Pack of 4	5	713 4500

With hardened shackle



GATEMATE® Laminated Steel Padlock with Long Shackle

FINISH	SIZE INS (MM)	KEYED ALIKE	MIN. ORDER QTY	CODE
Laminated Steel	1½ (40)	No	5	713 0410
Laminated Steel	2 (50)	No	5	713 0510

With hardened shackle



GATEMATE® Discus Padlock

FINISH	SIZE INS (MM)	KEYED ALIKE	UNIT QTY	MIN. ORDER QTY	CODE
Stainless Steel	2¾ (70)	No	Pack of 1	5	771 0700
Stainless Steel	2¾ (70)	Yes	Pack of 2	5	771 2700

Constructed from Grade 316 stainless steel

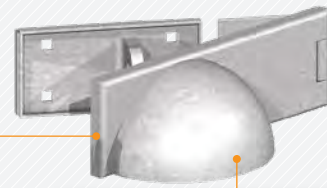


GATEMATE
BY BIRKDALE

**PADLOCK
PROTECTORS**

- This simple hasp and staple provides extra security from intruders
- Constructed from heavy duty galvanised steel
- Recommended padlocks:
GATEMATE® Discus Padlocks
GATEMATE® Brass Padlocks

Available in both left and right hand orientations



When the product is locked, access to the padlock is limited by the domed cover and the padlock is protected from the weather making it last longer!

Unique design to prevent pin from being drilled or removed



GATEMATE® Padlock Protector

FINISH	SIZE INS (MM)	DESC	MIN. ORDER QTY	CODE
Galvanised	7½ x 2½ (185 x 60)	Left Handed	1	144 1851
Galvanised	7½ x 2½ (185 x 60)	Right Handed	1	144 1861

Recommended padlocks:
Discus padlock: 70mm (7710700)
Brass padlocks: 40mm (1480400), 50mm (1480500) and 60mm (1480600)



GATEMATE® Shed Security Bar

FINISH	LENGTH (M)	MIN. ORDER QTY	CODE
Galvanised	1.0	1	139 1001
Galvanised	1.8	1	139 1801

GATEMATE® Rimsashlocks

GATEMATE® Rimsashlock - 2 Lever

FINISH	SIZE INS (MM)	MIN. ORDER QTY	CODE
Epoxy Black	6 x 4 (150 x 100)	5	540 0010



GATEMATE® Cast Ball Door Knob

FINISH	SIZE INS (MM)	MIN. ORDER QTY	OUTER CARTON QTY	CODE
Dull Black	1¾ (45)	1	5	575 0453



GATEMATE® Cast Oval Door Knob

FINISH	SIZE INS (MM)	MIN. ORDER QTY	OUTER CARTON QTY	CODE
Dull Black	2 (50)	1	5	575 0603



GATEMATE® Rimsashlock Door Knob

FINISH	SIZE INS (MM)	MIN. ORDER QTY	OUTER CARTON QTY	CODE
Black Plastic	2 (50)	1	5	540 0020

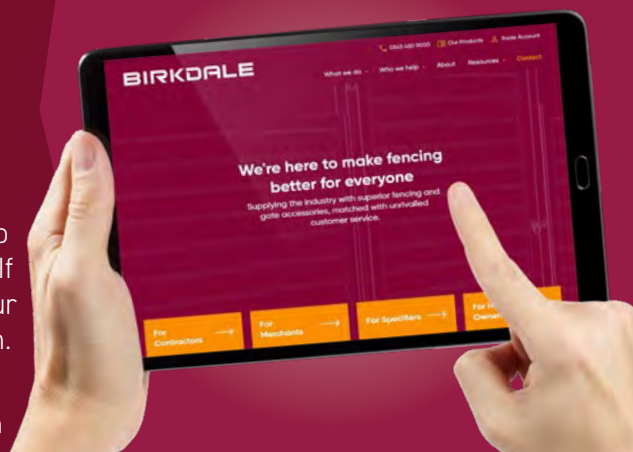


Ordering online is easy!

We're continuously making improvements so that you can order online quickly and easily. If you aren't already ordering online, contact our Customer Loyalty Team for more information.

birkdalesales.com

T 0345 450 9000 **E** mail@birkdalesales.com



GATEMATE® FIELD GATE FITTINGS

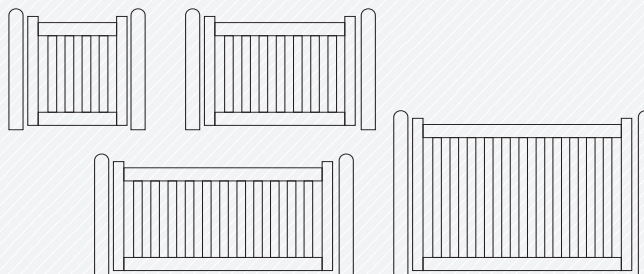
GATEMATE® Field Gate Hinges

HINGE LOADING APPLICATION PER PAIR

When selecting hinges for your gate please ensure that you choose ones with the correct loading application.

This is only approximate hinge loading application as none of our hinges are tested.

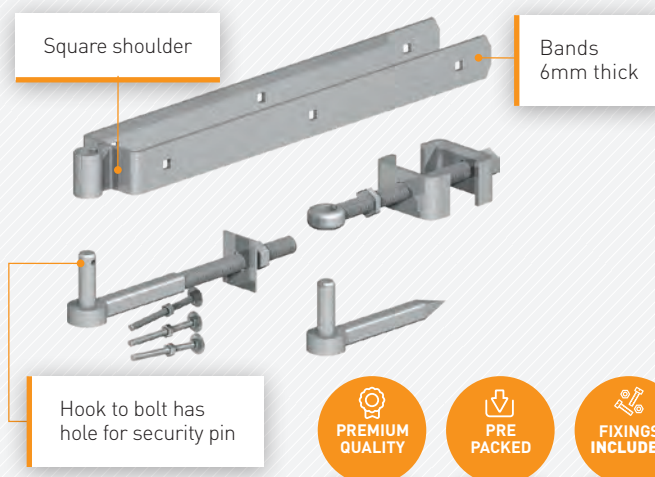
For heavier gates an additional hinge can be added.



GATE TYPE	CLASS	WEIGHT	MAXIMUM WIDTH
A	SMALL GATES AND DOORS	UP TO 10KG	900MM
B	MEDIUM GATE	UP TO 20KG	1200MM
C	LARGE GATE	UP TO 50KG	1800MM
D	EXTRA LARGE GATE	UP TO 80KG	2400MM

FIELD GATE DOUBLE STRAP HINGE SETS

- Heaviest field gate sets on the market!
- Hot dip galvanised fixings included



GATEMATE® Field Gate Double Strap Hinge Set



BEST SELLER ★



FINISH	SIZE INS (MM)	SUITABLE FOR	HOOK TO BOLT SIZE (INS)	LOAD APPL.	MIN. ORDER QTY	OUTER CARTON QTY	PALLET QTY	CODE
Galvanised	12 (300)	3" gates	13"	D	1	4	120	030 3001
Galvanised	18 (450)	3" gates	13"	D	1	4	120	030 4501
Galvanised	24 (600)	3" gates	13"	D	1	4	120	030 6001
Epoxy Black	24 (600)	3" gates	13"	D	1	4	120	030 6003
Premium Black	24 (600)	3" gates	13"	D	1	4	-	030 600B

Includes: 2" x 1/4" top band, 5" x 2" x 1/4" bottom band, hook to bolt, hook to drive and fixings

GATEMATE® Field Gate Double Strap Hinge Set with Adjustable Hooks on Plates

FINISH	SIZE INS (MM)	SUITABLE FOR	LOAD APPL.	MIN. ORDER QTY	OUTER CARTON QTY	PALLET QTY	CODE
Galvanised	18 (450)	3" gates	D	1	4	120	030 4521
Galvanised	24 (600)	3" gates	D	1	4	120	030 6521

Includes: 2" x 1/4" top band, 5" x 2" x 1/4" bottom band, 2 x adjustable hooks on 4" square plates with 3/4" diameter pin and fixings



GATEMATE® Field Gate Double Strap Hinge Set with Gate Hanger to Bolt

FINISH	SIZE INS (MM)	SUITABLE FOR	LOAD APPL.	MIN. ORDER QTY	OUTER CARTON QTY	PALLET QTY	CODE
Galvanised	24 (600)	3" gates	D	1	4	120	030 6021

Includes: 2" x 1/4" top band, 5" x 2" x 1/4" bottom band, 14" gate hanger to bolt, hook to drive and fixings



GATEMATE® Field Gate Double Strap Hinge Set with Hooks on Plates

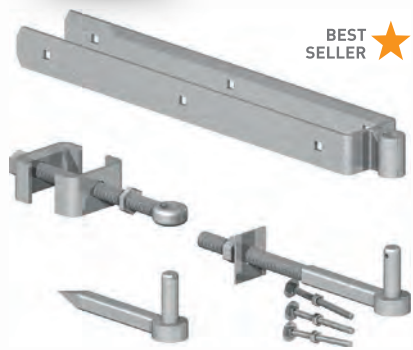
FINISH	SIZE INS (MM)	SUITABLE FOR	LOAD APPL.	MIN. ORDER QTY	OUTER CARTON QTY	PALLET QTY	CODE
Galvanised	12 (300)	3" gates	D	1	4	120	031 3001
Galvanised	18 (450)	3" gates	D	1	4	120	031 4501
Galvanised	24 (600)	3" gates	D	1	4	120	031 6001

Includes: 2" x 1/4" top band, 5" x 2" x 1/4" bottom band, 2 x hooks on 4" square plates and fixings



GATEMATE® Field Gate Adjustable Double Strap Hinge Set

Full adjustability allows installer to easily fit and adjust gates to compensate for gate drop over time



BEST SELLER ★

FINISH	SIZE INS (MM)	SUITABLE FOR	LOAD APPL.	MIN. ORDER QTY	OUTER CARTON QTY	PALLET QTY	CODE
Galvanised	12 (300)	3" gates	D	1	4	120	032 3001
Galvanised	18 (450)	3" gates	D	1	4	120	032 4501
Galvanised	24 (600)	3" gates	D	1	4	120	032 6001
Epoxy Black	12 (300)	3" gates	D	1	4	120	032 3003
Epoxy Black	18 (450)	3" gates	D	1	4	120	032 4503
Epoxy Black	24 (600)	3" gates	D	1	4	120	032 6003
Premium Black	24 (600)	3" gates	D	1	4	-	032 600B

Includes: 2" x 1/4" top band, adjustable gate eye and heel clips, hook to bolt, hook to drive and fixings



BEST SELLER ★

GATEMATE® Field Gate Adjustable Double Strap Hinge Set with Hooks on Plates

FINISH	SIZE INS (MM)	SUITABLE FOR	LOAD APPL.	MIN. ORDER QTY	OUTER CARTON QTY	PALLET QTY	CODE
Galvanised	12 (300)	3" gates	D	1	4	120	033 3001
Galvanised	18 (450)	3" gates	D	1	4	120	033 4501
Galvanised	24 (600)	3" gates	D	1	4	120	033 6001
Epoxy Black	24 (600)	3" gates	D	1	4	120	033 6003

Includes: 2" x 1/4" top band, adjustable gate eye and heel clips, 2 x hooks on 4" square plates and fixings

- ✓ Premium quality
- ✓ Pre packed
- ✓ Fixings included

ASSEMBLY INSTRUCTIONS

GATEMATE® SELF CLOSING/ RISING HINGE SET

CODE 034 4511

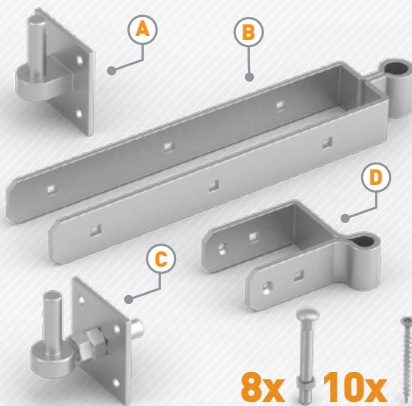


CONTENTS

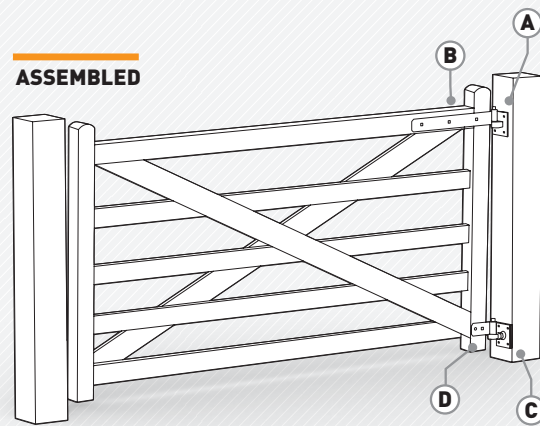
- A** Hook on Plate
- B** Long Band
- C** Adjustable Hook on Plate
- D** Short Band

FIXINGS

- 8x** Bolts
- 10x** Screws

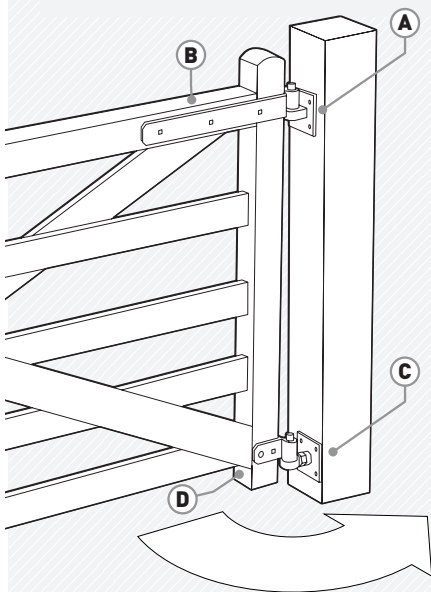


ASSEMBLED



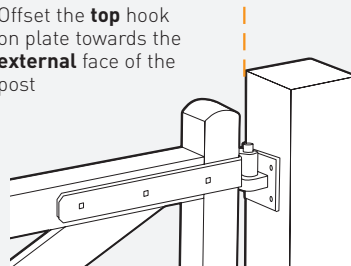
SELF RISING:

The product is specifically designed for situations where the ground rises slightly so your gate will open properly without dragging on the ground



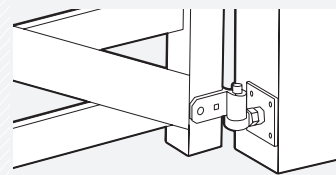
01 ATTACH THE TOP HOOK AND BAND

Offset the **top** hook on plate towards the **external** face of the post



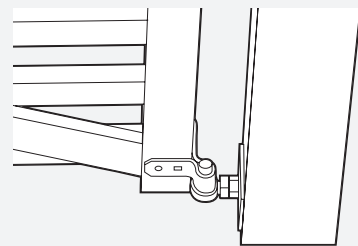
02 ATTACH THE BOTTOM ADJUSTABLE HOOK AND BAND

Offset the **bottom** hook on plate towards the **internal** face of the post



03 ADJUST THE BOTTOM HOOK

Adjust the bottom hook to make the gate rise further. The adjustability of the bottom hook on plate and the offset nature of the bottom hinge means the gate won't appear out of line despite the fact the top and bottom hooks aren't aligned



We're always open at: www.birkdalesales.com

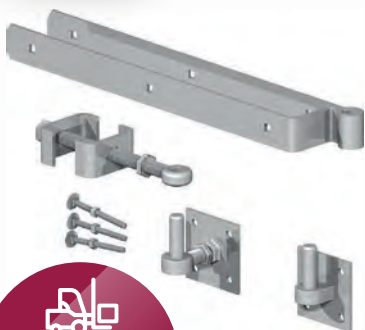
GATEMATE® Field Gate Self-Closing/Rising 45° Hinge Set



FINISH	SIZE INS (MM)	SUITABLE FOR	LOAD APPL.	MIN. ORDER QTY	OUTER CARTON QTY	PALLET QTY	CODE
Galvanised	18 (450)	3" gates	D	1	4	120	034 4511

Includes: 18" top band with 1" diameter eye, 5" bottom band with offset eye on corner, hook on 4" square plate, 3/4" diameter adjustable hook on 4" square plate and fixings. (Gate to be hung between posts). For fitting instructions see p23

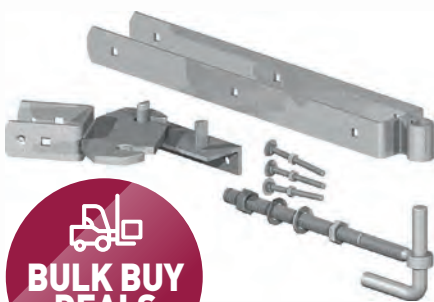
GATEMATE® Field Gate Self-Closing/Rising 90° Hinge Set



FINISH	SIZE INS (MM)	SUITABLE FOR	LOAD APPL.	MIN. ORDER QTY	OUTER CARTON QTY	PALLET QTY	CODE
Galvanised	24 (600)	3" gates	D	1	4	84	034 6011

Includes: 24" top band with 1" straight eye on corner, adjustable gate eye and heel clips, hook on 4" square plate, 3/4" diameter adjustable hook on 4" square plate and fixings. (Gate to be hung on rear of posts)

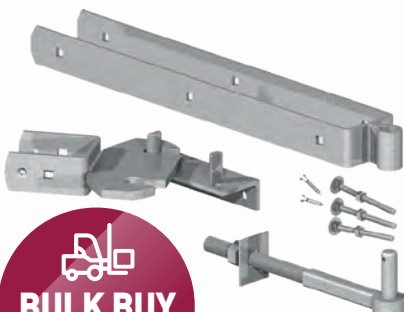
GATEMATE® Field Gate Self-Closing/Rising 180° Hinge Set (2 Way)



FINISH	SIZE INS (MM)	SUITABLE FOR	LOAD APPL.	MIN. ORDER QTY	OUTER CARTON QTY	PALLET QTY	CODE
Galvanised	24 (600)	3" gates	D	1	2	70	034 6021

Includes: 24" top band with 1" diameter eye, bottom band with rocker plate, 15" lock through hook with 3/4" diameter pin and fixings. When gate is open at 90 degrees to post, approximate rise is 75mm per metre width of gate. (Gate to be hung between posts)

GATEMATE® Field Gate Rising Hinge Set with Rocker Plate



FINISH	SIZE INS (MM)	SUITABLE FOR	LOAD APPL.	MIN. ORDER QTY	OUTER CARTON QTY	PALLET QTY	CODE
Galvanised	24 (600)	3" gates	D	1	4	120	034 6001

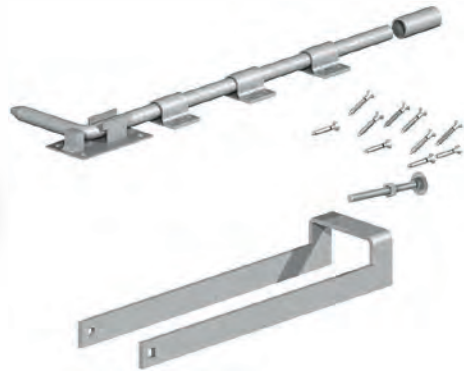
Includes: 24" top band with 3/4" diameter eye, hook to bolt, bottom band with rocker plate and fixings. When gate is open at 90 degree to post, approximate rise is 75mm per metre width of gate. (Gate to be hung between posts)

GATEMATE® Field Gate Fasteners

GATEMATE® Double Field Gate Fastener Set with Garage Door Bolt

DESC	FINISH	SUITABLE FOR	MIN. ORDER QTY	OUTER CARTON QTY	CODE
18" Garage Door Bolt	Galvanised	3" gates	1	10	038 0001
24" Garage Door Bolt	Galvanised	3" gates	1	10	038 0011
18" Garage Door Bolt	Premium Black	3" gates	1	10	038 000B

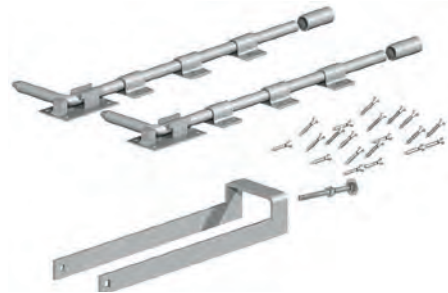
Includes: garage door bolt, 14" throwover loop and fixings



GATEMATE® Double Field Gate Fastener Set with 2 Garage Door Bolts

FINISH	SUITABLE FOR	MIN. ORDER QTY	OUTER CARTON QTY	CODE
Galvanised	3" gates	1	10	038 0021

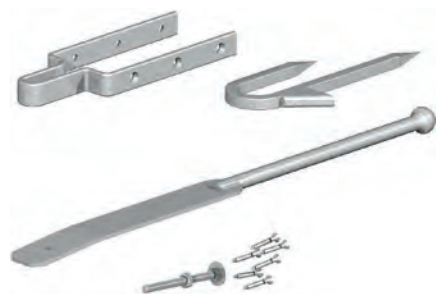
Includes: 2 x 18" garage door bolts, 14" throwover loop and fixings



GATEMATE® Field Gate Spring Fastener Set with Staple Catch

FINISH	SIZE INS (MM)	MIN. ORDER QTY	OUTER CARTON QTY	CODE
Galvanised	24 (600)	1	10	036 0001
Epoxy Black	24 (600)	1	10	036 0003
Premium Black	24 (600)	1	10	036 000B

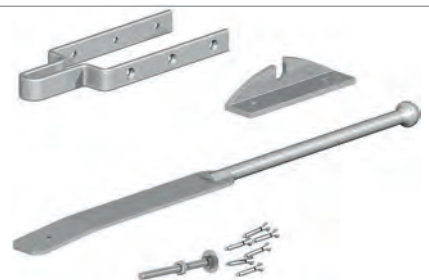
Includes: spring fastener, staple catch, keep and fixings



GATEMATE® Field Gate Spring Fastener Set with Central Closing Catch

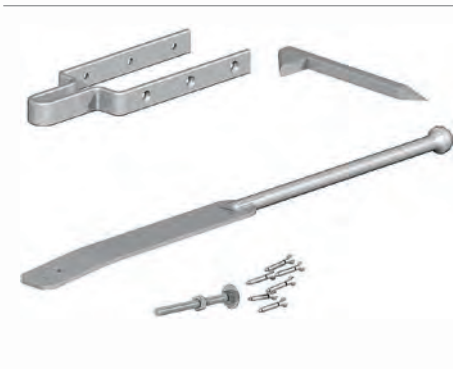
FINISH	SIZE INS (MM)	MIN. ORDER QTY	OUTER CARTON QTY	CODE
Galvanised	24 (600)	1	10	037 0011

Includes: spring fastener, central closing gate catch, keep and fixings





GATEMATE® Field Gate Spring Fastener Set with Drive Catch



FINISH	SIZE INS (MM)	MIN. ORDER QTY	OUTER CARTON QTY	CODE
Galvanised	26 (600)	1	10	037 0001

Includes: spring fastener, drive catch, keep and fixings

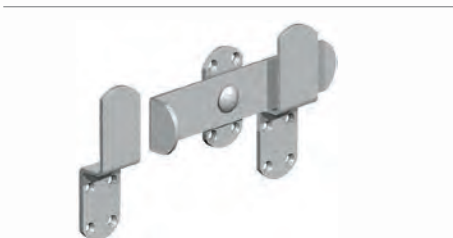
GATEMATE® Field Gate New Zealand Fasteners



FINISH	SIZE (MM)	MIN. ORDER QTY	CODE
BZP	1000	5	571 1002
BZP	420	5	571 4202

GATEMATE® Field Gate Latches, Catches & Bolts

GATEMATE® Kick Over Stable Latch



FINISH	SIZE INS (MM)	MIN. ORDER QTY	CODE
Galvanised	9½ (240)	5	530 2401

GATEMATE® Narrow Pattern Kick Over Latch



FINISH	SIZE INS (MM)	MIN. ORDER QTY	CODE
Galvanised	9½ (240)	5	530 2451

GATEMATE® Field Gate Self-Locking Catch Kit with Cranked Striker



FINISH	PACK TYPE	MIN. ORDER QTY	OUTER CARTON QTY	CODE
Galvanised	Bag	5	-	563 0001
Galvanised	Plain Box	1	20	039 0001

GATEMATE® Field Gate Self Locking Catch Kit with Double Leg Striker

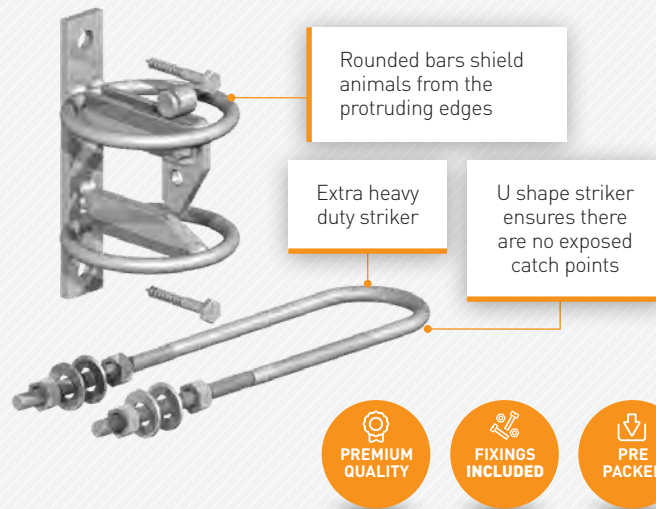
FINISH	PACK TYPE	MIN. ORDER QTY	OUTER CARTON QTY	CODE
Galvanised	Plain Box	1	10	039 0011



GATEMATE®
BY BIRKDALE

FIELD GATE SELF LOCKING ANIMAL SAFETY CATCH KIT

- Designed to provide maximum safety for animals and prevent livestock from injury
- Hot dip galvanised fixings included



GATEMATE® Field Gate Animal Safety Self Locking Catch Kit with Double Leg Striker

FINISH	PACK TYPE	MIN. ORDER QTY	CODE
Galvanised	Plain Box	1	039 0041



GATEMATE® Field Gate Hunting Type Locking Catch Kit

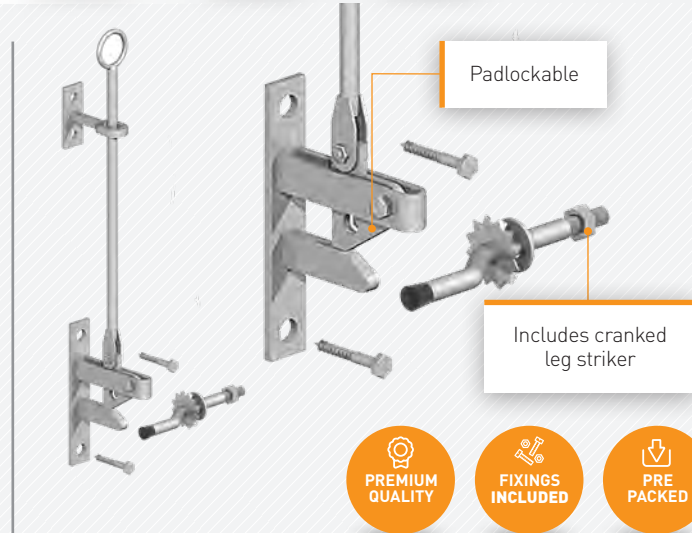
FINISH	MIN. ORDER QTY	CODE
Galvanised	5	564 0001



GATEMATE®
BY BIRKDALE

FIELD GATE HUNTING TYPE LIFT CATCH KIT

- Ergonomically designed for horse riders – allowing operation of a gate without the need to dismount
- Manufactured from heavy duty galvanised steel
- Blunt edges to ensure no harm to animals
- Reliable latching system
- Hot dip galvanised fixings included



GATEMATE® Field Gate Hunting Type Lift Catch Kit



FINISH	MIN. ORDER QTY	OUTER CARTON QTY	CODE
Galvanised	1	10	039 0031

GATEMATE® Field Gate Central Closing Catch



FINISH	MIN. ORDER QTY	CODE
Galvanised	5	568 0001

GATEMATE® Field Gate Shoot Bolt



FINISH	MIN. ORDER QTY	CODE
Galvanised	5	566 0001

GATEMATE® Field Gate Accessories

GATEMATE® 'D' Bracket

FINISH	SIZE INS (MM)	MIN. ORDER QTY	CODE
Galvanised	3½ (89)	5	578 0801



GATEMATE® Slip Rail Bracket

Heavy duty material; 4mm thick. Includes galvanised coach screws

FINISH	SIZE INS (MM)	SUITABLE FOR	MIN. ORDER QTY	OUTER CARTON QTY	CODE
Galvanised	4x2 (100x50)	up to 2 x 4" rails	5	20	529 0001



GATEMATE® Rail Brackets

FINISH	SIZE INS (MM)	UNIT QTY	MIN. ORDER QTY	CODE
Galvanised	2 (50)	Pack of 2	5	583 0511



GATEMATE® Gate Staples

FINISH	SIZE INS (MM)	UNIT QTY	MIN. ORDER QTY	CODE
Galvanised	4 (100)	Pack of 5	5	577 1001



GATEMATE® Gate Staple to Drive

FINISH	SIZE INS (MM)	MIN. ORDER QTY	CODE
Galvanised	4 (100)	5	579 1001



GATEMATE® Field Gate Staple on Elongated Plate



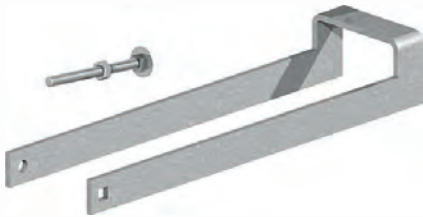
FINISH	SIZE INS (MM)	MIN. ORDER QTY	CODE
Galvanised	3 (75)	5	578 0751

GATEMATE® Field Gate Safety Hook & Eye



FINISH	SIZE INS (MM)	MIN. ORDER QTY	CODE
Galvanised	6 (150)	5	528 1501
Includes chain and eyes			

GATEMATE® Field Gate Throwover Loop



FINISH	SIZE INS (MM)	SUITABLE FOR	MIN. ORDER QTY	CODE
Galvanised	14 (350)	3" gates	5	560 3501

GATEMATE® Spring Loaded Gate Wheel - Medium Duty



FINISH	SIZE INS (MM)	MIN. ORDER QTY	OUTER CARTON QTY	CODE
BZP	11 (280)	1	5	581 2802

GATEMATE® Gate Return Spring



FINISH	SIZE INS (MM)	MIN. ORDER QTY	OUTER CARTON QTY	CODE
BZP	8 (200)	5	40	526 2002
BZP	10 (250)	5	40	526 2502
Epoxy Black	8 (200)	5	40	526 2003
Epoxy Black	10 (250)	5	40	526 2503

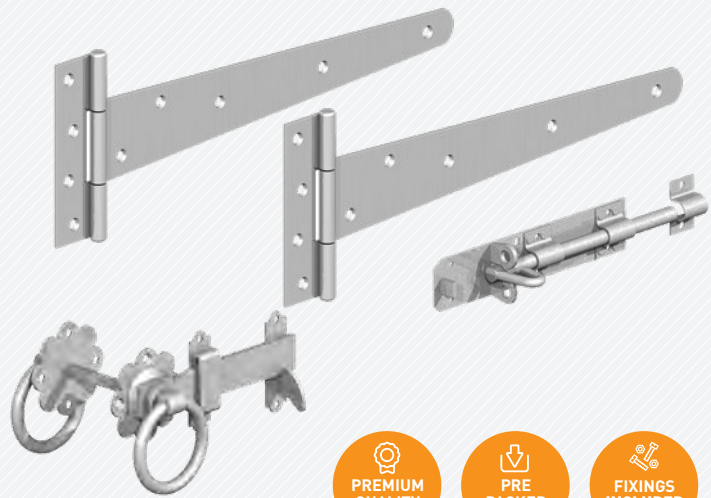
GATEMATE® COMPLETE GATE FIXING KITS

GATEMATE®
BY BIRKDALE

COMPLETE GATE FIXING KITS

Our Fixing Kits contain everything needed to fit your gate; hinges, catches, fixings and instructions.

- Available with suffolk latches, ring gate latches or auto gate catches
- Ruspert high performance woodscrews included



GATEMATE® Pedestrian Gate Kit with Auto Catch

FINISH	MIN. ORDER QTY	CODE
Galvanised	5	595 0001
BZP	5	595 0002
Epoxy Black	5	595 0003

Includes: 1 x pair 14" medium tee hinges, 1 x medium auto catch and fixings to suit



GATEMATE® Side Gate Kit with Ring Gate Latch

FINISH	TEE HINGE SIZE (INS)	MIN. ORDER QTY	PALLET QTY	CODE
Galvanised	16"	5	-	596 0111
Galvanised	18"	5	250	596 0001
BZP	18"	5	250	596 0002
Epoxy Black	16"	5	-	596 0113
Epoxy Black	18"	5	250	596 0003

Includes: 1 x pair 16" or 18" medium tee hinges, 1 x 6" ring gate latch, 1 x 6" x 1/2" brenton padbolt and fixings to suit



GATEMATE® Side Gate Kit with Heavy Suffolk Latch

FINISH	TEE HINGE SIZE (INS)	MIN. ORDER QTY	PALLET QTY	CODE
Galvanised	16"	5	-	597 0111
Galvanised	18"	5	250	597 0001
BZP	18"	5	250	597 0002
Epoxy Black	16"	5	-	597 0113
Epoxy Black	18"	5	250	597 0003

Includes: 1 x pair 16" or 18" medium tee hinges, 1 x heavy suffolk latch, 1 x 6" x 1/2" brenton padbolt and fixings to suit



GATEMATE® HINGES

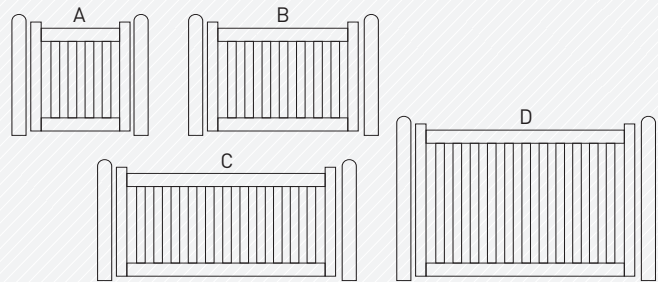
GATEMATE®
BY BIRKDALE

**HINGE LOADING
APPLICATION PER
PAIR**

When selecting hinges for your gate please ensure that you choose ones with the correct loading application.

This is only approximate hinge loading application as none of our hinges are tested.

For heavier gates, an additional hinge can be added.



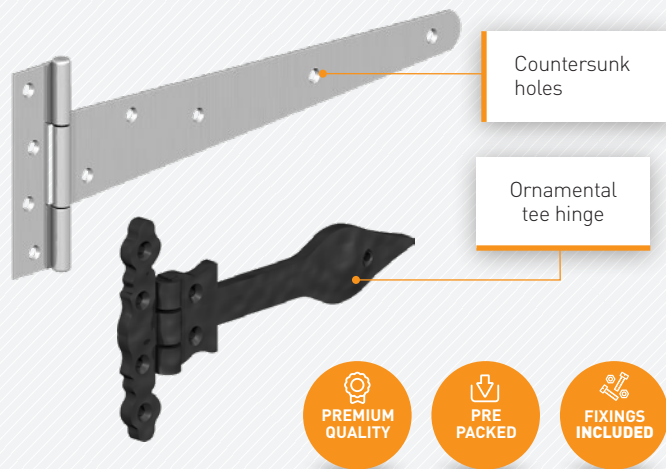
GATE TYPE	CLASS	WEIGHT	MAXIMUM WIDTH
A	SMALL GATES AND DOORS	UP TO 10KG	900MM
B	MEDIUM GATE	UP TO 20KG	1200MM
C	LARGE GATE	UP TO 50KG	1800MM
D	EXTRA LARGE GATE	UP TO 80KG	2400MM

GATEMATE® Tee & Strap Hinges

GATEMATE®
BY BIRKDALE

TEE HINGES

- Suitable for a huge range of gates; with light, medium and heavy weights
- Available in stainless steel and premium black (epoxy black on galvanised steel) finishes
- Ornamental designs also available
- Loading application A-D; see above
- Supplied with high performance ruspert woodscrews



GATEMATE® Light Tee Hinges



**LOOKING FOR
ORNAMENTAL
HINGES? TURN
TO PAGE 60**

FINISH	SIZE INS (MM)	UNIT QTY	LOAD APPL.	MIN. ORDER QTY	OUTER CARTON QTY	CODE
BZP	4 (100)	1 Pair	A	5 Pairs	40 Pairs	501 1002
BZP	6 (150)	1 Pair	A	5 Pairs	40 Pairs	501 1502
BZP	8 (200)	1 Pair	A	5 Pairs	40 Pairs	501 2002
BZP	10 (250)	1 Pair	A	5 Pairs	40 Pairs	501 2502
BZP	12 (300)	1 Pair	A	5 Pairs	20 Pairs	501 3002
Epoxy Black	4 (100)	1 Pair	A	5 Pairs	40 Pairs	501 1003
Epoxy Black	6 (150)	1 Pair	A	5 Pairs	40 Pairs	501 1503
Epoxy Black	8 (200)	1 Pair	A	5 Pairs	40 Pairs	501 2003
Epoxy Black	10 (250)	1 Pair	A	5 Pairs	40 Pairs	501 2503
Epoxy Black	12 (300)	1 Pair	A	5 Pairs	20 Pairs	501 3003

Material thickness between 1.00 and 1.50mm

GATEMATE® Medium Tee Hinges

FINISH	SIZE INS (MM)	UNIT QTY	LOAD APPL.	MIN. ORDER QTY	OUTER CARTON QTY	CODE
Galvanised	12 (300)	1 Pair	B	5 Pairs	30 Pairs	502 3001
Galvanised	14 (350)	1 Pair	B	5 Pairs	30 Pairs	502 3501
Galvanised	15 (375)	1 Pair	B	5 Pairs	30 Pairs	502 3751
Galvanised	16 (400)	1 Pair	B	5 Pairs	30 Pairs	502 4001
Galvanised	18 (450)	1 Pair	B	5 Pairs	20 Pairs	502 4501
Galvanised	24 (600)	1 Pair	B	5 Pairs	-	502 6001
BZP	10 (250)	1 Pair	B	5 Pairs	30 Pairs	502 2502
BZP	12 (300)	1 Pair	B	5 Pairs	30 Pairs	502 3002
BZP	14 (350)	1 Pair	B	5 Pairs	30 Pairs	502 3502
BZP	15 (375)	1 Pair	B	5 Pairs	30 Pairs	502 3752
BZP	16 (400)	1 Pair	B	5 Pairs	30 Pairs	502 4002
BZP	18 (450)	1 Pair	B	5 Pairs	20 Pairs	502 4502
BZP	24 (600)	1 Pair	B	5 Pairs	-	502 6002
Epoxy Black	10 (250)	1 Pair	B	5 Pairs	30 Pairs	502 2503
Epoxy Black	12 (300)	1 Pair	B	5 Pairs	30 Pairs	502 3003
Epoxy Black	14 (350)	1 Pair	B	5 Pairs	30 Pairs	502 3503
Epoxy Black	15 (375)	1 Pair	B	5 Pairs	30 Pairs	502 3753
Epoxy Black	16 (400)	1 Pair	B	5 Pairs	30 Pairs	502 4003
Epoxy Black	18 (450)	1 Pair	B	5 Pairs	20 Pairs	502 4503
Epoxy Black	24 (600)	1 Pair	B	5 Pairs	-	502 6003

Material thickness between 1.80 and 2.50mm



GATEMATE® Medium Tee Hinges (1.5 Pairs)

An extra tee hinge per set gives additional strength for higher use and heavier application

FINISH	SIZE INS (MM)	UNIT QTY	LOAD APPL.	MIN. ORDER QTY	CODE
Galvanised	18 (450)	1.5 Pairs	B	5 Packs	502 4511
Epoxy Black	18 (450)	1.5 Pairs	B	5 Packs	502 4513



GATEMATE® Strong Tee Hinges



FINISH	SIZE INS (MM)	UNIT QTY	LOAD APPL.	MIN. ORDER QTY	CODE
Galvanised	6 (150)	1 Pair	C	5 Pairs	503 1501
Galvanised	8 (200)	1 Pair	C	5 Pairs	503 2001
Galvanised	10 (250)	1 Pair	C	5 Pairs	503 2501
Galvanised	12 (300)	1 Pair	C	5 Pairs	503 3001
Galvanised	14 (350)	1 Pair	C	5 Pairs	503 3501
Galvanised	16 (400)	1 Pair	C	5 Pairs	503 4001
Galvanised	18 (450)	1 Pair	C	5 Pairs	503 4501
Galvanised	20 (500)	1 Pair	C	5 Pairs	503 5001
Galvanised	24 (600)	1 Pair	C	5 Pairs	503 6001
BZP	6 (150)	1 Pair	C	5 Pairs	503 1502
BZP	8 (200)	1 Pair	C	5 Pairs	503 2002
BZP	10 (250)	1 Pair	C	5 Pairs	503 2502
Epoxy Black	12 (300)	1 Pair	C	5 Pairs	503 3003
Epoxy Black	14 (350)	1 Pair	C	5 Pairs	503 3503
Epoxy Black	16 (400)	1 Pair	C	5 Pairs	503 4003
Epoxy Black	18 (450)	1 Pair	C	5 Pairs	503 4503
Epoxy Black	24 (600)	1 Pair	C	5 Pairs	503 6003
Premium Black	18 (450)	1 Pair	C	5 Pairs	503 450B
Premium Black	24 (600)	1 Pair	C	5 Pairs	503 600B

Material thickness between 2.00 and 3.50mm

GATEMATE® Weighty Scotch Tee Hinges



FINISH	SIZE INS (MM)	UNIT QTY	LOAD APPL.	MIN. ORDER QTY	OUTER CARTON QTY	CODE
Galvanised	4 (100)	1 Pair	C	5 Pairs	30 Pairs	505 1001
Galvanised	6 (150)	1 Pair	C	5 Pairs	30 Pairs	505 1501
Galvanised	8 (200)	1 Pair	C	5 Pairs	30 Pairs	505 2001
Galvanised	10 (250)	1 Pair	C	5 Pairs	-	505 2501
Galvanised	12 (300)	1 Pair	C	5 Pairs	-	505 3001
Galvanised	14 (350)	1 Pair	C	5 Pairs	-	505 3501
Galvanised	16 (400)	1 Pair	C	5 Pairs	-	505 4001
Galvanised	18 (450)	1 Pair	D	5 Pairs	-	505 4501
Stainless Steel*	12 (300)	1 Pair	C	1 Pair	5 Pairs	505 3006

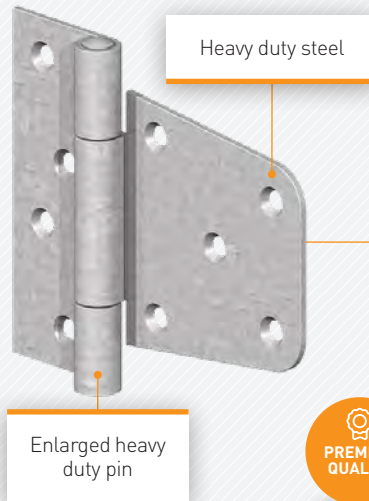
Material thickness between 2.00 and 4.00mm

*Constructed from Grade 316 Stainless Steel

GATEMATE®
BY BIRKDALE

HEAVY DUTY OFFSET TEE HINGE

- The only offset tee hinge on the market!
- Provides increased strength over standard butt hinges
- Suitable for arched top and flat style continental gates where there are no cross braces
- High performance, ruspert coated woodscrews included for excellent corrosion resistance



Short band for use in applications where there are no cross braces on the gate



GATEMATE® Heavy Duty Offset Tee Hinges

FINISH	SIZE INS (MM)	UNIT QTY	LOAD APPL.	MIN. ORDER QTY	CODE
Galvanised	3½ (89)	1 Pair	C	5 Pairs	602 0011
Epoxy Black	3½ (89)	1 Pair	C	5 Pairs	602 0013

Material thickness 2.50mm



**THE ONLY
HEAVY DUTY
OFFSET TEE
HINGE ON THE
MARKET!**

GATEMATE® Medium Strap Hinges

FINISH	SIZE INS (MM)	UNIT QTY	LOAD APPL.	MIN. ORDER QTY	CODE
BZP	8 (200)	1 Pair	B	5 Pairs	522 2002
BZP	10 (250)	1 Pair	B	5 Pairs	522 2502
BZP	12 (300)	1 Pair	B	5 Pairs	522 3002



GATEMATE®
BY BIRKDALE

Merchandising stands

Discover one of the largest ranges of pre-packed door and gate furniture, supplied complete with all the screws and fixings you'll need.

T 0345 450 9000 **E** mail@birkdalesales.com



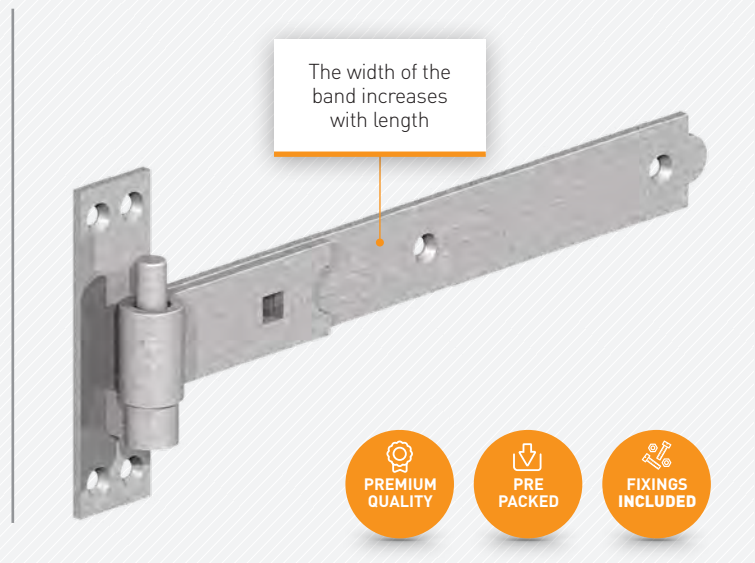
GATEMATE® Band & Hook Hinges

GATEMATE
BY BIRKDALE

STRAIGHT BAND & HOOK ON PLATE

Available in a range of sizes and finishes

- Suitable for wooden gates
- Loading Application B - D; see page 034



GATEMATE® Straight Band & Hook on Plate

FINISH	SIZE INS (MM)	UNIT QTY	LOAD APPL.	MIN. ORDER QTY	CODE
Galvanised	10 (250)	1 Pair	B	5 Pairs	506 2501
Galvanised	12 (300)	1 Pair	B	5 Pairs	506 3001
Galvanised	14 (350)	1 Pair	B	5 Pairs	506 3501
Galvanised	16 (400)	1 Pair	B	5 Pairs	506 4001
Galvanised	18 (450)	1 Pair	C	5 Pairs	506 4501
Galvanised	20 (500)	1 Pair	C	5 Pairs	506 5001
Galvanised	24 (600)	1 Pair	C	2 Pairs	506 6001
Galvanised	30 (750)	1 Pair	D	2 Pairs	506 7501
Galvanised	36 (900)	1 Pair	D	2 Pairs	506 9001
Epoxy Black	12 (300)	1 Pair	B	5 Pairs	506 3003
Epoxy Black	14 (350)	1 Pair	B	5 Pairs	506 3503
Epoxy Black	16 (400)	1 Pair	B	5 Pairs	506 4003
Epoxy Black	18 (450)	1 Pair	C	5 Pairs	506 4503
Epoxy Black	24 (600)	1 Pair	C	2 Pairs	506 6003
Epoxy Black	36 (900)	1 Pair	D	2 Pairs	506 9003
Stainless Steel*	18 (450)	1 Pair	C	1 Pair	506 4506

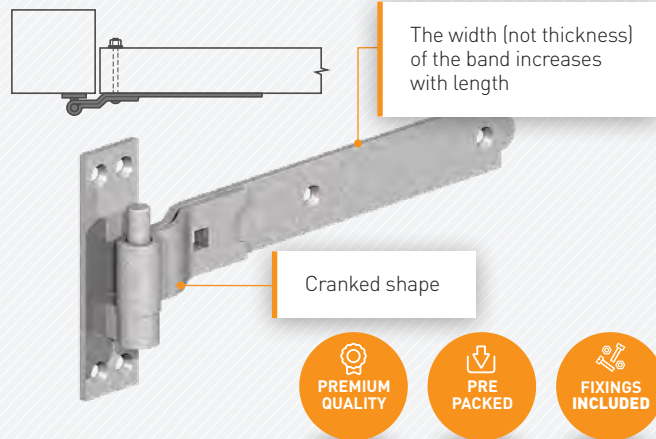
*Constructed from Grade 316 Stainless Steel

GATEMATE®
BY BIRKDALE

CRANKED BAND & HOOK ON PLATE

Designed for installations where the gate is flush with the front of the post

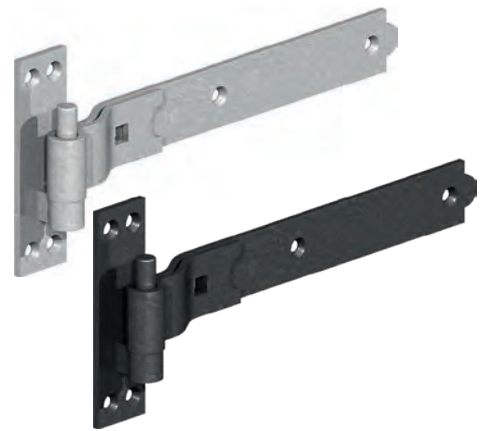
- Available in a range of sizes and finishes including stainless steel and premium black (epoxy black on galvanised steel) finishes
- Suitable for wooden gates
- Loading application B - D; see page 034



GATEMATE® Cranked Band & Hook on Plate

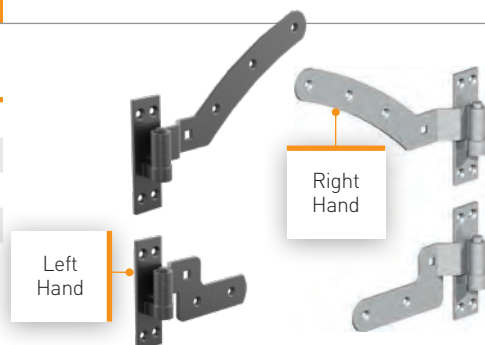
FINISH	SIZE INS (MM)	UNIT QTY	LOAD APPL.	MIN. ORDER QTY	CODE
Galvanised	10 (250)	1 Pair	B	5 Pairs	507 2501
Galvanised	12 (300)	1 Pair	B	5 Pairs	507 3001
Galvanised	14 (350)	1 Pair	B	5 Pairs	507 3501
Galvanised	16 (400)	1 Pair	B	5 Pairs	507 4001
Galvanised	18 (450)	1 Pair	C	5 Pairs	507 4501
Galvanised	20 (500)	1 Pair	C	5 Pairs	507 5001
Galvanised	24 (600)	1 Pair	C	2 Pairs	507 6001
Galvanised	30 (750)	1 Pair	D	2 Pairs	507 7501
Galvanised	36 (900)	1 Pair	D	2 Pairs	507 9001
Epoxy Black	12 (300)	1 Pair	B	5 Pairs	507 3003
Epoxy Black	14 (350)	1 Pair	B	5 Pairs	507 3503
Epoxy Black	16 (400)	1 Pair	B	5 Pairs	507 4003
Epoxy Black	18 (450)	1 Pair	C	5 Pairs	507 4503
Epoxy Black	24 (600)	1 Pair	C	2 Pairs	507 6003
Epoxy Black	30 (750)	1 Pair	D	2 Pairs	507 7503
Epoxy Black	36 (900)	1 Pair	D	2 Pairs	507 9003
Premium Black	18 (450)	1 Pair	C	5 Pairs	507 450B
Premium Black	24 (600)	1 Pair	C	2 Pairs	507 600B
Premium Black	30 (750)	1 Pair	D	2 Pairs	507 750B
Premium Black	36 (900)	1 Pair	D	2 Pairs	507 900B
Stainless Steel*	18 (450)	1 Pair	C	1 Pair	507 4506
Stainless Steel*	24 (600)	1 Pair	C	1 Pair	507 6006

*Constructed from Grade 316 Stainless Steel



GATEMATE® Cranked Curved Rail Hinges Kit

FINISH	LENGTH INS (MM)	DESC	LOAD APPL.	MIN. ORDER QTY	CODE
Galvanised	12 (300)	Left Handed	C	5	598 0001
Galvanised	12 (300)	Right Handed	C	5	598 0011
Premium Black	12 (300)	Left Handed	C	5	598 000B
Premium Black	12 (300)	Right Handed	C	5	598 001B

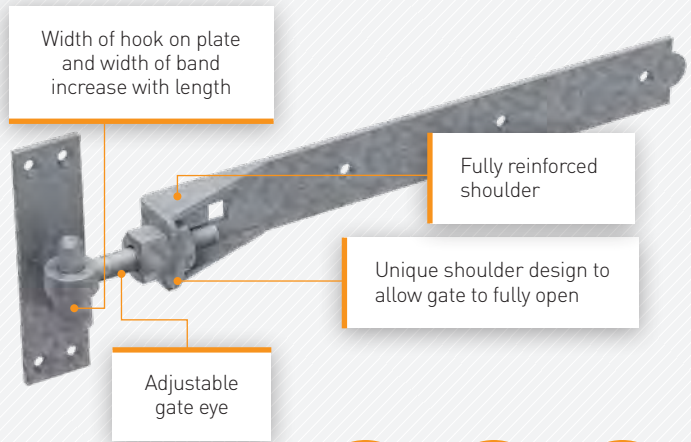


GATEMATE®
BY BIRKDALE

ADJUSTABLE BAND & HOOKS ON PLATES

These heavy duty, robust hinges provide full adjustability; allowing the installer to align gates both during fitting and afterwards to compensate for gate drop over time. Ideal for use on high-use/heavy gates and external doors.

- **Easy to fit and adjust**
- **Available in a range of sizes and finishes including stainless steel and premium black (epoxy black on galvanised steel) finishes**
- **Wide range of sizes**
- **Loading application B - D; see page 034**



GATEMATE® Adjustable Band & Hook on Plate

These GATEMATE® band and hook hinges are both easy to fit and use; allowing the installer to align gates during fitting, and adjust afterwards to compensate for gate drop over time



FINISH	SIZE INS (MM)	UNIT QTY	LOAD APPL.	MIN. ORDER QTY	CODE
Galvanised	14 (350)	1 Pair	B	5 Pairs	508 3501
Galvanised	18 (450)	1 Pair	C	5 Pairs	508 4501
Galvanised	24 (600)	1 Pair	C	2 Pairs	508 6001
Galvanised	30 (750)	1 Pair	D	2 Pairs	508 7501
Galvanised	36 (900)	1 Pair	D	1 Pair	508 9001
Epoxy Black	18 (450)	1 Pair	C	5 Pairs	508 4503
Epoxy Black	24 (600)	1 Pair	C	2 Pairs	508 6003
Epoxy Black	30 (750)	1 Pair	D	2 Pairs	508 7503
Epoxy Black	36 (900)	1 Pair	D	1 Pair	508 9003
Premium Black	18 (450)	1 Pair	C	5 Pairs	508 450B
Premium Black	24 (600)	1 Pair	C	2 Pairs	508 600B
Premium Black	30 (750)	1 Pair	D	2 Pairs	508 750B
Premium Black	36 (900)	1 Pair	D	1 Pair	508 900B
Stainless Steel*	18 (450)	1 Pair	C	1 Pair	508 4506
Stainless Steel*	24 (600)	1 Pair	C	1 Pair	508 6006
Stainless Steel*	36 (900)	1 Pair	D	1 Pair	508 9006

1 pair includes: 2 x adjustable bands, 2 x adjustable gate eyes, 2 x hooks on plates and all required fixings
*Constructed from Grade 316 Stainless Steel

GATEMATE® Braced Adjustable Band & Hook on Plate



FINISH	SIZE INS (MM)	UNIT QTY	LOAD APPL.	MIN. ORDER QTY	CODE
Galvanised	14 (350)	1 Pair	B	5 Pairs	598 0101

GATEMATE® Heavy Reversible Hinges

GATEMATE® Heavy Reversible Hinges

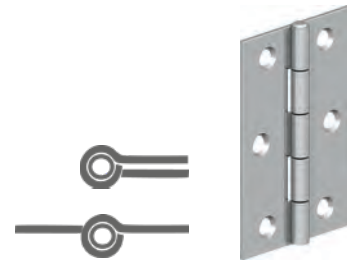
FINISH	SIZE INS (MM)	UNIT QTY	LOAD APPL.	MIN. ORDER QTY	CODE
Galvanised	12 (300)	1 Pair	B	5 Pairs	509 3001
Galvanised	14 (350)	1 Pair	B	5 Pairs	509 3501
Galvanised	16 (400)	1 Pair	B	5 Pairs	509 4001
Galvanised	18 (450)	1 Pair	C	5 Pairs	509 4501
Galvanised	20 (500)	1 Pair	C	5 Pairs	509 5001
Galvanised	24 (600)	1 Pair	C	2 Pairs	509 6001
Galvanised	30 (750)	1 Pair	D	2 Pairs	509 7501
Galvanised	36 (900)	1 Pair	D	2 Pairs	509 9001
Epoxy Black	12 (300)	1 Pair	B	5 Pairs	509 3003
Epoxy Black	16 (400)	1 Pair	B	5 Pairs	509 4003
Epoxy Black	18 (450)	1 Pair	C	5 Pairs	509 4503
Epoxy Black	20 (500)	1 Pair	C	5 Pairs	509 5003
Epoxy Black	24 (600)	1 Pair	C	2 Pairs	509 6003
Epoxy Black	30 (750)	1 Pair	D	2 Pairs	509 7503
Epoxy Black	36 (900)	1 Pair	D	2 Pairs	509 9003
Premium Black	18 (450)	1 Pair	C	5 Pairs	509 450B
Premium Black	24 (600)	1 Pair	C	2 Pairs	509 600B
Premium Black	36 (900)	1 Pair	D	1 Pair	509 900B



GATEMATE® Butt Hinges

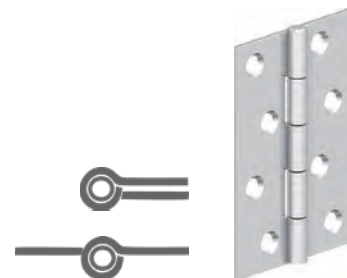
GATEMATE® Butt Hinges 1838

FINISH	SIZE INS (MM)	UNIT QTY	LOAD APPL.	MIN. ORDER QTY	CODE
BZP	2 (50)	1 Pair	A	5 Pairs	504 0502
BZP	3 (75)	1 Pair	A	5 Pairs	504 0752
BZP	4 (100)	1 Pair	A	5 Pairs	504 1002
BZP	6 (150)	1 Pair	A	5 Pairs	504 1502



GATEMATE® Strong Butt Hinges 451

FINISH	SIZE INS (MM)	UNIT QTY	LOAD APPL.	MIN. ORDER QTY	CODE
BZP	4 (100)	1 Pair	A	5	545 1002



GATEMATE® Grade 11 Stainless Steel Ball Bearing Butt Hinge



- For indoor use on timber doors
- High quality smooth ball bearing action
- Includes stainless steel screws

FINISH	SIZE INS (MM)	UNIT QTY	LOAD APPL.	MIN. ORDER QTY	CODE
Brushed Stainless Steel	3 x 2 (75 x 50)	1 Pair	A	1 Pair	027 0756B

Constructed from Grade 316 stainless steel

GATEMATE® Grade 13 Stainless Steel Ball Bearing Butt Hinge



- Certified CE13 BSN1935
- Includes stainless steel screws
- CERTIFIRE approved product
- Quality and performance BSEN1935
- Fire safety BSEN1634 - for use on 30 minute and 1 hour fire doors

FINISH	SIZE INS (MM)	UNIT QTY	LOAD APPL.	MIN. ORDER QTY	INNER CARTON QTY	OUTER CARTON QTY	CODE
Brushed Stainless Steel	4 x 3 (102 x 76)	1 Pair	A	1 Pack	1 Pack	40 Packs	027 1006B
Brushed Stainless Steel	4 x 3 (102 x 76)	1.5 Pairs	A	1 Pack	3 Packs	25 Packs	027 1016B
Polished Stainless Steel	4 x 3 (102 x 76)	1.5 Pairs	A	1 Pack	3 Packs	25 Packs	027 1016P

Constructed from Grade 316 stainless steel



**Next day
delivery service**

Order by 5pm for next day delivery to UK mainland addresses (3-5 working days for DuraPost®, Post Concrete, Highlands, Islands and Ireland)

T 0345 450 9000 F 0345 450 9085



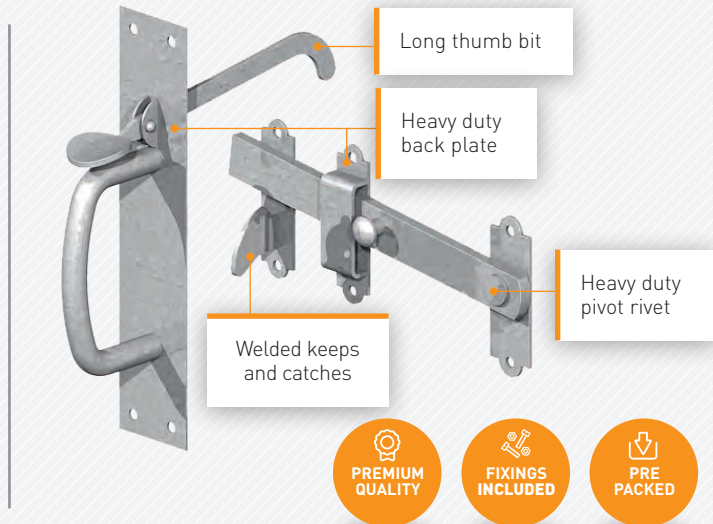
GATEMATE® LATCHES, CATCHES, HOOKS & BOLTS

GATEMATE® Latches

GATEMATE®
BY BIRKDALE

SUFFOLK LATCHES

- Available in light and heavy duty options and a range of finishes and styles
- Heavy pattern provides excellent strength for heavy use applications
- High performance, ruspert coated woodscrews included for excellent corrosion resistance
- Suitable for up to 3" gates



GATEMATE® Light Suffolk Latch Set

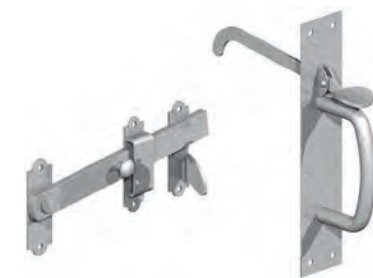
FINISH	THUMB LENGTH INS (MM)	MIN. ORDER QTY	OUTER CARTON QTY	CODE
BZP	4 ½ (115)	5	30	523 0012
Epoxy Black	4 ½ (115)	5	30	523 0013

LOOKING FOR AN ORNAMENTAL SUFFOLK LATCH? TURN TO PAGE 061



GATEMATE® Heavy Suffolk Latch Set

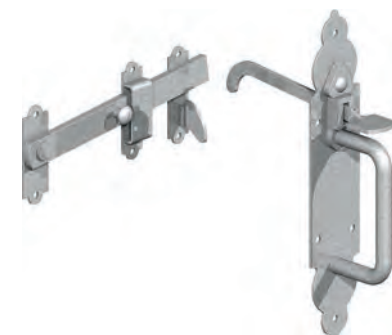
FINISH	THUMB LENGTH INS (MM)	MIN. ORDER QTY	OUTER CARTON QTY	CODE
Galvanised	4 ½ (115)	5	30	523 0021
BZP	4 ½ (115)	5	30	523 0022
Epoxy Black	4 ½ (115)	5	30	523 0023
Premium Black	4 ½ (115)	5	30	523 002B



GATEMATE® Heavy Gothic Suffolk Latch Set

FINISH	THUMB LENGTH INS (MM)	MIN. ORDER QTY	OUTER CARTON QTY	CODE
Galvanised	4 ½ (115)	5	30	523 0031
BZP	4 ½ (115)	5	30	523 0032
Epoxy Black	4 ½ (115)	5	30	523 0033
Stainless Steel*	4 ½ (115)	1	30	523 0036

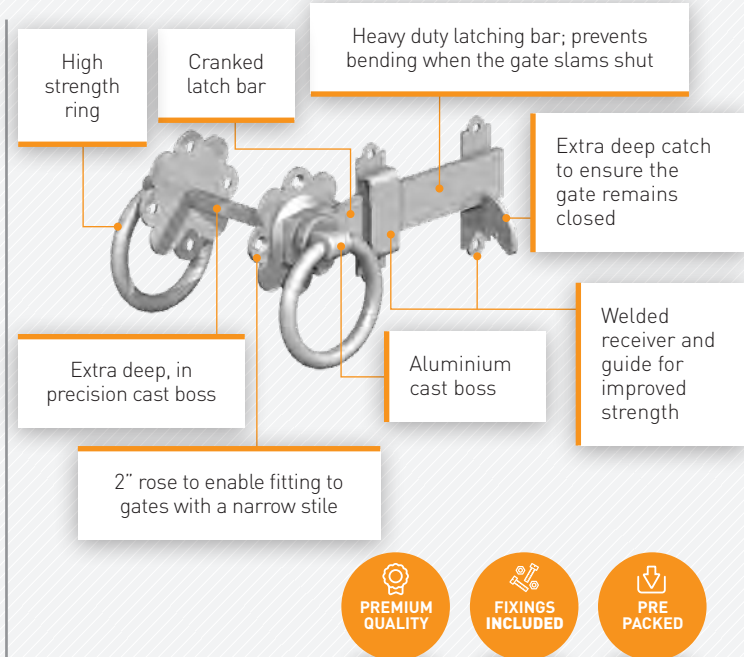
*Constructed from Grade 316 Stainless Steel



GATEMATE®
BY BIRKDALE

RING GATE LATCH

- Very popular within the range; featuring a choice of sizes and finishes
- Ornamental designs also available
- High performance, rustproof coated woodscrews included for excellent corrosion resistance



LOOKING FOR
8" OR 10" RING
GATE LATCHES?
TURN TO
ORNAMENTAL
ON PAGE 061

BEST
SELLER ★



GATEMATE® Ring Gate Latch

FINISH	SIZE INS (MM)	MIN. ORDER QTY	OUTER CARTON QTY	CODE
Galvanised	4 (100)	5	30	525 1001
Galvanised	5 (125)	5	30	525 1251
Galvanised	6 (150)	5	30	525 1501
Galvanised	7 (175)	5	30	525 1751
BZP	5 (125)	5	30	525 1252
BZP	6 (150)	5	30	525 1502
Epoxy Black	5 (125)	5	30	525 1253
Epoxy Black	6 (150)	5	30	525 1503
Epoxy Black	7 (175)	5	30	525 1753
Premium Black	5 (125)	5	-	525 125B
Premium Black	6 (150)	5	-	525 150B
Stainless Steel*	6 (150)	1	-	525 1506

*Constructed from Grade 316 Stainless Steel

GATEMATE® Twisted Ring Gate Latch

FINISH	SIZE INS (MM)	MIN. ORDER QTY	OUTER CARTON QTY	CODE
Galvanised	6 (150)	5	30	524 1501
Epoxy Black	6 (150)	5	30	524 1503



GATEMATE® Catches

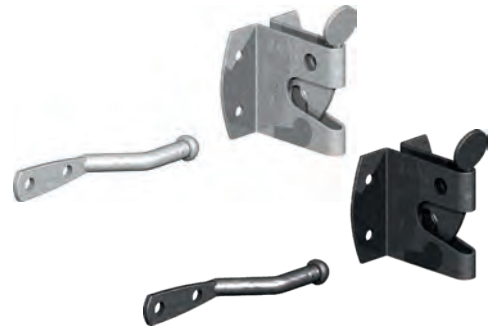
GATEMATE® Medium Auto Gate Catch

FINISH	MIN. ORDER QTY	OUTER CARTON QTY	CODE
Galvanised	5	30	521 0011
BZP	5	30	521 0012
Epoxy Black	5	30	521 0013



GATEMATE® Large Auto Gate Catch

FINISH	MIN. ORDER QTY	OUTER CARTON QTY	CODE
Galvanised	5	30	521 0021
Epoxy Black	5	30	521 0023



GATEMATE® Easy-Close Auto Gate Catch

Brass pin for greater rust resistance

FINISH	SIZE INS (MM)	MIN. ORDER QTY	CODE
Galvanised	2 (50)	5	601 0011
BZP	2 (50)	5	601 0012
Epoxy Black	2 (50)	5	601 0013



GATEMATE® Kenham Gate Catch

FINISH	SIZE INS (MM)	MIN. ORDER QTY	CODE
BZP	3 (75)	5	566 0752

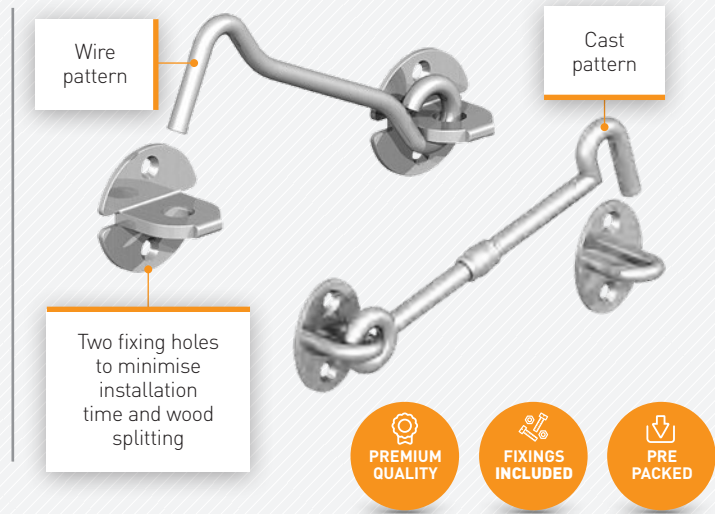


GATEMATE® Hooks

GATEMATE
BY BIRKDALE

CABIN HOOKS

- Range of patterns and finishes available including stainless steel and premium black (epoxy black on galvanised steel)
- Available up to 600mm (24") long



GATEMATE® Wire Pattern Cabin Hooks



FINISH	SIZE INS (MM)	MIN. ORDER QTY	CODE
Galvanised	4 (100)	5	532 1001
Galvanised	6 (150)	5	532 1501
Galvanised	8 (200)	5	532 2001
Galvanised	10 (250)	5	532 2501
Galvanised	12 (300)	5	532 3001
Galvanised	24 (600) *	5	532 6001
Epoxy Black	4 (100)	5	532 1003
Epoxy Black	6 (150)	5	532 1503
Epoxy Black	8 (200)	5	532 2003
Epoxy Black	12 (300)	5	532 3003

*Heavy duty

GATEMATE® Cast Pattern Cabin Hooks



FINISH	SIZE INS (MM)	MIN. ORDER QTY	CODE
Galvanised	4 (100)	5	541 1001
Galvanised	6 (150)	5	541 1501
Galvanised	8 (200)	5	541 2001
Galvanised	10 (250)	5	541 2501
Epoxy Black	4 (100)	5	541 1003
Epoxy Black	6 (150)	5	541 1503
Epoxy Black	8 (200)	5	541 2003
Epoxy Black	10 (250)	5	541 2503
Premium Black	8 (200)	5	541 200B
Stainless Steel*	4 (100)	5	541 1006

*Constructed from Grade 316 Stainless Steel

GATEMATE® Turn Buttons Cast

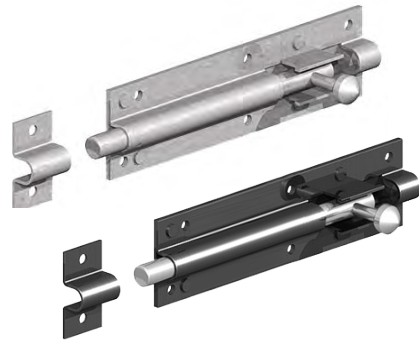
FINISH	SIZE INS (MM)	UNIT QTY	MIN. ORDER QTY	CODE
BZP	2 (50)	Pack of 2	5	527 0502
Epoxy Black	2 (50)	Pack of 2	5	527 0503



GATEMATE® Bolts

GATEMATE® Tower Bolt

FINISH	SIZE INS (MM)	MIN. ORDER QTY	CODE
Galvanised	3 (75)	5	510 0751
Galvanised	4 (100)	5	510 1001
Galvanised	6 (150)	5	510 1501
Galvanised	8 (200)	5	510 2001
Galvanised	10 (250)	5	510 2501
BZP	4 (100)	5	510 1002
BZP	6 (150)	5	510 1502
BZP	8 (200)	5	510 2002
Epoxy Black	3 (75)	5	510 0753
Epoxy Black	4 (100)	5	510 1003
Epoxy Black	6 (150)	5	510 1503
Epoxy Black	8 (200)	5	510 2003
Epoxy Black	10 (250)	5	510 2503



GATEMATE® Necked Tower Bolt

FINISH	SIZE INS (MM)	MIN. ORDER QTY	CODE
Galvanised	6 (150)	5	511 1501
Epoxy Black	6 (150)	5	511 1503



GATEMATE® Oval Padbolt

FINISH	SIZE INS (MM)	MIN. ORDER QTY	OUTER CARTON QTY	CODE
Galvanised	4 (100)	5	30	514 1001
BZP	4 (100)	5	30	514 1002
Epoxy Black	4 (100)	5	30	514 1003



BRENTON PADBOLTS

These brenton padbolts are ideal for use on gates and sheds alike.

- ½" or ⅝" diameter shoots
- Available in a range of finishes; including stainless steel and premium black (epoxy black on galvanised steel)
- All fittings are welded through to the back plate instead of being punched to provide more security



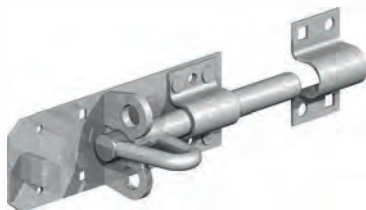
GATEMATE® Brenton Padbolt with ½" Shoot



FINISH	SIZE INS (MM)	MIN. ORDER QTY	OUTER CARTON QTY	CODE
Galvanised	4 (100)	5	30	512 1001
Galvanised	6 (150)	5	30	512 1501
Galvanised	8 (200)	5	30	512 2001
Galvanised	10 (250)	5	30	512 2501
BZP	4 (100)	5	30	512 1002
BZP	6 (150)	5	30	512 1502
BZP	8 (200)	5	30	512 2002
Epoxy Black	4 (100)	5	30	512 1003
Epoxy Black	6 (150)	5	30	512 1503
Epoxy Black	8 (200)	5	30	512 2003
Premium Black	6 (150)	5	30	512 150B
Premium Black	8 (200)	5	30	512 200B
Stainless Steel*	6 (150)	1	5	512 1506

*Constructed from Grade 316 Stainless Steel

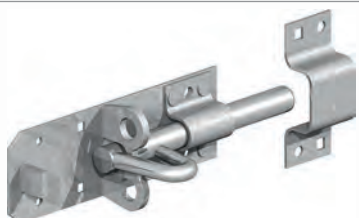
GATEMATE® Brenton Padbolt with ⅝" Shoot



FINISH	SIZE INS (MM)	MIN. ORDER QTY	OUTER CARTON QTY	CODE
Galvanised	6 (150)	5	30	513 1501
Galvanised	8 (200)	5	30	513 2001
Galvanised	10 (250)	5	30	513 2501
Galvanised	12 (300)	5	30	513 3001
Stainless Steel*	8 (200)	1	5	513 2006

*Constructed from Grade 316 Stainless Steel

GATEMATE® Brenton Padbolt with ⅝" Shoot & Elongated Keep



FINISH	SIZE INS (MM)	MIN. ORDER QTY	CODE
Galvanised	6 (150)	5	513 1511
Galvanised	8 (200)	5	513 2011

GATEMATE® Brenton Padbolt Kit with 2" Padlock

FINISH	SIZE INS (MM)	SHOOT DIAMETER INS (MM)	MIN. ORDER QTY	CODE
Galvanised	6 (150)	½ (12)	5	512 1511
BZP	6 (150)	½ (12)	5	512 1512



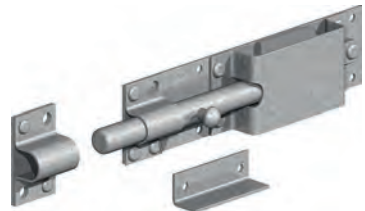
GATEMATE® Heavy Cross Pattern Door Bolt

FINISH	SIZE INS (MM)	MIN. ORDER QTY	CODE
Galvanised	12 (300)	5	527 3001
Galvanised	15 (375)	5	527 3751
Galvanised	18 (450)	5	527 4501
Galvanised	24 (600)	5	527 6001



GATEMATE® Autolock Animal Bolt

FINISH	SIZE INS (MM)	MIN. ORDER QTY	CODE
Galvanised	9 (230)	5	515 2301



GATEMATE® Spring-Loaded Animal Bolt

FINISH	SIZE INS (MM)	SHOOT DIAMETER INS (MM)	MIN. ORDER QTY	OUTER CARTON QTY	CODE
BZP	4½ (115)	½ (12)	5	30	516 0122



GATEMATE® Spring-Loaded Bolt

FINISH	SIZE INS (MM)	SHOOT DIAMETER INS (MM)	MIN. ORDER QTY	OUTER CARTON QTY	CODE
BZP	4½ (115)	½ (12)	5	30	516 1122
BZP	4 (105)	⅝ (16)	5	30	516 1162
BZP	2¾ (70)	⅝ (9.5)	5	30	516 1952



GATEMATE® Spring-Loaded Bolt - Short Body

Features glow in the dark handle

FINISH	SIZE INS (MM)*	SHOOT DIAMETER INS (MM)	MIN. ORDER QTY	CODE
BZP	½ (12)	3 (75)	5	516 3122
BZP	⅝ (9.5)	2½ (60)	5	516 3952

*Diameter x Length



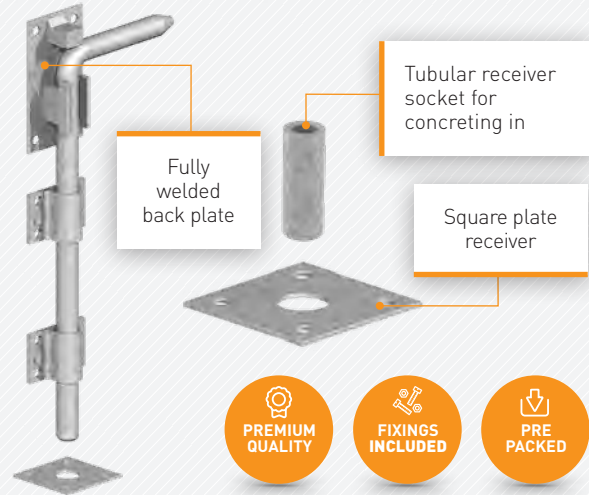
GLOW IN THE DARK HANDLE

GATEMATE
BY BIRKDALE

GARAGE DOOR BOLT

Also known as 'drop bolts', our Garage Door Bolts are popular in the range and are suitable for a variety of applications.

- Available in galvanised, epoxy black, premium black and stainless steel
- Comes with Square Plate and Tubular Receiver Sockets for your choice of installation



GATEMATE® Garage Door Bolt with 5/8" Shoot

Tubular and square plate receiver sockets included



FINISH	SIZE INS (MM)	MIN. ORDER QTY	OUTER CARTON QTY	CODE
Galvanised	12 (300)	5	20	520 3001
Galvanised	18 (450)	5	20	520 4501
Galvanised	24 (600)	5	10	520 6001
Epoxy Black	12 (300)	5	20	520 3003
Epoxy Black	18 (450)	5	20	520 4503
Epoxy Black	24 (600)	5	10	520 6003
Premium Black	18 (450)	5	20	520 450B

GATEMATE® Heavy Locking Garage Door Bolt with 5/8" Shoot



FINISH	SIZE INS (MM)	MIN. ORDER QTY	OUTER CARTON QTY	CODE
Galvanised	18 (450)	1	5	517 4501
Stainless Steel*	18 (450)	1	-	517 4506

*Constructed from Grade 316 Stainless Steel

GATEMATE® Cane Bolt



FINISH	SIZE INS (MM)	MIN. ORDER QTY	OUTER CARTON QTY	CODE
BZP	12 (300)	5	30	602 0042
BZP	18 (450)	5	30	602 0032

GATEMATE® Monkey Tail Bolt with 5/8" Square Shoot

FINISH	SIZE INS (MM)	MIN. ORDER QTY	CODE
Galvanised	12 (300)	5	519 3001
Galvanised	18 (450)	5	519 4501
Epoxy Black	12 (300)	5	519 3003
Epoxy Black	18 (450)	5	519 4503



GATEMATE® Chain Bolt

FINISH	SIZE INS (MM)	CHAIN LENGTH (MM)	MIN. ORDER QTY	CODE
BZP	8 (200)	550	5	517 2002



GATEMATE® Bow Handle Bolts with 5/8" Square Shoot

- Heavy duty bolt for use with high doors and gates
- Ideal for large doors such as barns and large outbuildings
- Designed to be fitted in the vertical position, the bow handle bolt is versatile and can be fitted to shoot down into a floor mounted plate, or up into the door frame
- Galvanised for greater rust protection

FINISH	SIZE INS (MM)	MIN. ORDER QTY	CODE
Galvanised	18 (450)	5	576 4501



GATEMATE®
BY BIRKDALE

- ✓ Premium quality
- ✓ Pre packed
- ✓ Fixings included



GATEMATE[®] HASP & STAPLES

GATEMATE[®] PRE-PACKED
GATE FURNITURE



GATEMATE[®] Safety Pattern Hasp & Staple

FINISH	SIZE INS (MM)	MIN. ORDER QTY	CODE
BZP	3 (75)	5	533 0752
BZP	4 (100)	5	533 1002
BZP	6 (150)	5	533 1502
Epoxy Black	4 (100)	5	533 1003
Epoxy Black	6 (150)	5	533 1503



GATEMATE[®] Heavy Safety Pattern Hasp & Staple

FINISH	SIZE INS (MM)	MIN. ORDER QTY	CODE
Galvanised	7 (180)	5	538 1801
Epoxy Black	7 (180)	5	538 1803



GATEMATE[®] Heavy Vertical Pattern Hasp & Staple

Features brass pins for added corrosion resistance

FINISH	SIZE INS (MM)	MIN. ORDER QTY	CODE
Galvanised	6 (150)	5	534 1501
Epoxy Black	6 (150)	5	534 1503



GATEMATE[®] Heavy Hasp & Staple

Features brass pins for added corrosion resistance

FINISH	SIZE INS (MM)	MIN. ORDER QTY	CODE
Galvanised	8 (200)	5	535 2001
Galvanised	10 (250)	5	535 2501
Epoxy Black	8 (200)	5	535 2003
Epoxy Black	10 (250)	5	535 2503

GATEMATE® SIGNS & REFLECTORS

GATEMATE® 'Please Shut The Gate' Sign

FINISH	SIZE (MM)	MIN. ORDER QTY	CODE
Brass	160 x 55	5	544 0005
Chrome	160 x 55	5	544 000C



GATEMATE® 'Beware Of The Dog' Sign

FINISH	SIZE (MM)	MIN. ORDER QTY	CODE
Brass	160 x 55	5	544 0015
Chrome	160 x 55	5	544 001C



GATEMATE® High Visibility Reflectors

FINISH	SIZE (MM)	UNIT QTY	MIN. ORDER QTY	CODE
Red	110 x 45	Pack of 2	5	859 110R
White	110 x 45	Pack of 2	5	859 110W

High Durability - UV stabilized



Helping you generate
more demand from
your customers



T 0345 450 9000 E mail@birkdalesales.com



GATEMATE® PREMIUM FINISH RANGE

Stainless Steel

Stainless steel is an iron alloy with high levels of chromium; giving it an external layer that is virtually rust free. Our premium range products are made from marine grade 316 stainless steel – ideal for coastal and other high-moisture environments.

See page 034 for table of loading applications for hinges.

ALL OUR
STAINLESS STEEL
PRODUCTS ARE
316 MARINE
GRADE

GATEMATE® Weighty Scotch Tee Hinges



FINISH	SIZE INS (MM)	UNIT QTY	LOAD APPL.	MIN. ORDER QTY	OUTER CARTON QTY	CODE
Stainless Steel	12 (300)	1 Pair	C	1 Pair	5 Pairs	505 3006
Material thickness 3mm						

GATEMATE® Straight Band & Hook on Plate



FINISH	SIZE INS (MM)	UNIT QTY	LOAD APPL.	MIN. ORDER QTY	OUTER CARTON QTY	CODE
Stainless Steel	18 (450)	1 Pair	C	1 Pair	5 Pairs	506 4506

GATEMATE® Cranked Band & Hook on Plate



FINISH	SIZE INS (MM)	UNIT QTY	LOAD APPL.	MIN. ORDER QTY	CODE
Stainless Steel	18 (450)	1 Pair	C	1 Pair	507 4506
Stainless Steel	24 (600)	1 Pair	C	1 Pair	507 6006

GATEMATE® Adjustable Band & Hook on Plate



FINISH	SIZE INS (MM)	UNIT QTY	LOAD APPL.	MIN. ORDER QTY	CODE
Stainless Steel	18 (450)	1 Pair	C	1 Pair	508 4506
Stainless Steel	24 (600)	1 Pair	C	1 Pair	508 6006
Stainless Steel	36 (900)	1 Pair	D	1 Pair	508 9006

GATEMATE® Grade 11 Stainless Steel Ball Bearing Butt Hinge

- For indoor use on timber doors
- High quality smooth ball bearing action
- Includes stainless steel screws
- Constructed from Grade 316 stainless steel



FINISH	SIZE INS (MM)	UNIT QTY	LOAD APPL.	MIN. ORDER QTY	CODE
Brushed Stainless Steel	3 x 2 (75 x 50)	1 Pair	A	1 Pair	027 0756B

GATEMATE® Grade 13 Stainless Steel Ball Bearing Butt Hinge

- Certified CE13 BSN1935
- Includes stainless steel screws
- CERTIFIRE approved product
- Quality and performance BSEN1935
- Fire safety BSEN1634 - for use on 30 minute and 1 hour fire doors
- Constructed from Grade 316 stainless steel



FINISH	SIZE INS (MM)	UNIT QTY	LOAD APPL.	MIN. ORDER QTY	INNER CARTON QTY	OUTER CARTON QTY	CODE
Brushed Stainless Steel	4 x 3 (102 x 76)	1 Pair	A	1 Pack	1 Pack	40 Packs	027 1006B
Brushed Stainless Steel	4 x 3 (102 x 76)	1.5 Pairs	A	1 Pack	3 Packs	25 Packs	027 1016B
Polished Stainless Steel	4 x 3 (102 x 76)	1.5 Pairs	A	1 Pack	3 Packs	25 Packs	027 1016P

GATEMATE® Heavy Gothic Suffolk Latch

FINISH	THUMB LENGTH INS (MM)	MIN. ORDER QTY	CODE
Stainless Steel	4½ (115)	1	523 0036



GATEMATE® Ring Gate Latch

FINISH	SIZE INS (MM)	MIN. ORDER QTY	CODE
Stainless Steel	6 (150)	1	525 1506



GATEMATE® Cast Pattern Cabin Hooks



FINISH	SIZE INS (MM)	MIN. ORDER QTY	CODE
Stainless Steel	4 (100)	5	541 1006

GATEMATE® Brenton Padbolt



FINISH	SIZE INS (MM)	SHOOT GAUGE INS (MM)	MIN. ORDER QTY	CODE
Stainless Steel	6 (150)	½ (12)	1	512 1506
Stainless Steel	8 (200)	¾ (16)	1	513 2006

GATEMATE® Heavy Locking Garage Door Bolt with 5/8" Shoot



FINISH	SIZE INS (MM)	MIN. ORDER QTY	CODE
Stainless Steel	18 (450)	1	517 4506

Premium Black

A 'hot-dip' galvanised finish with a black polyester powder coating on top. This double layer results in a high level of corrosion resistance.

See page 034 for table of loading applications for hinges.

GATEMATE® Strong Tee Hinges



FINISH	SIZE INS (MM)	UNIT QTY	LOAD APPL.	MIN. ORDER QTY	CODE
Premium Black	18 (450)	1 Pair	C	5 Pairs	503 450B
Premium Black	24 (600)	1 Pair	C	5 Pairs	503 600B

GATEMATE® Cranked Band & Hook on Plate

FINISH	SIZE INS (MM)	UNIT QTY	LOAD APPL.	MIN. ORDER QTY	CODE
Premium Black	18 (450)	1 Pair	C	5 Pairs	507 450B
Premium Black	24 (600)	1 Pair	C	2 Pairs	507 600B
Premium Black	30 (750)	1 Pair	D	2 Pairs	507 750B
Premium Black	36 (900)	1 Pair	D	2 Pairs	507 900B



GATEMATE® Adjustable Band & Hook on Plate

FINISH	SIZE INS (MM)	UNIT QTY	LOAD APPL.	MIN. ORDER QTY	CODE
Premium Black	18 (450)	1 Pair	C	5 Pairs	508 450B
Premium Black	24 (600)	1 Pair	C	2 Pairs	508 600B
Premium Black	30 (750)	1 Pair	D	2 Pairs	508 750B
Premium Black	36 (900)	1 Pair	D	-	508 900B



GATEMATE® Heavy Reversible Hinges

FINISH	SIZE INS (MM)	UNIT QTY	LOAD APPL.	MIN. ORDER QTY	CODE
Premium Black	18 (450)	1 Pair	C	5 Pairs	509 450B
Premium Black	24 (600)	1 Pair	C	2 Pairs	509 600B
Premium Black	36 (900)	1 Pair	D	-	509 900B



GATEMATE® Cranked Curved Rail Hinges Kit

FINISH	SIZE INS (MM)	DESC	LOAD APPL.	MIN. ORDER QTY	CODE
Premium Black	12 (300)	Left Handed	C	5	598 000B
Premium Black	12 (300)	Right Handed	C	5	598 001B



Left Hand Illustrated

GATEMATE® Field Gate Double Strap Hinge Set



FINISH	SIZE INS (MM)	SUITABLE FOR	LOAD APPL.	MIN. ORDER QTY	OUTER CARTON QTY	CODE
Premium Black	24 (600)	3" gates	D	1	4	030 600B

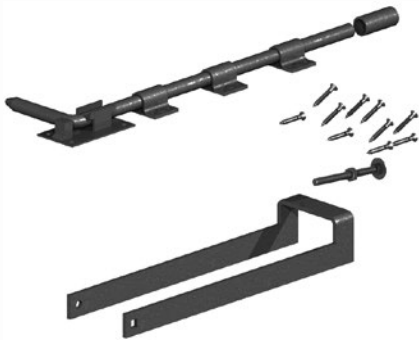
GATEMATE® Field Gate Adjustable Double Strap Hinge Set

Full adjustability allows installer to easily fit and adjust gates to compensate for gate drop over time



FINISH	SIZE INS (MM)	SUITABLE FOR	LOAD APPL.	MIN. ORDER QTY	OUTER CARTON QTY	CODE
Premium Black	24 (600)	3" gates	D	1	4	038 600B

GATEMATE® Double Field Gate Fastener Set with 18" Garage Door Bolt



FINISH	SUITABLE FOR	MIN. ORDER QTY	OUTER CARTON QTY	CODE
Premium Black	3" gates	1	10	038 000B

GATEMATE® Field Gate Spring Fastener Set with Staple Catch



FINISH	SIZE INS (MM)	SUITABLE FOR	MIN. ORDER QTY	OUTER CARTON QTY	CODE
Premium Black	18 (450)	3" gates	1	10	036 000B

GATEMATE® Heavy Suffolk Latch Set

FINISH	MIN. ORDER QTY	CODE
Premium Black	5	523 002B



GATEMATE® Ring Gate Latch

FINISH	SIZE INS (MM)	MIN. ORDER QTY	CODE
Premium Black	5 (125)	5	525 125B
Premium Black	6 (150)	5	525 150B



GATEMATE® Cast Pattern Cabin Hook

FINISH	SIZE INS (MM)	MIN. ORDER QTY	CODE
Premium Black	8 (200)	5	541 200B



GATEMATE® Brenton Padbolt

FINISH	SIZE INS (MM)	MIN. ORDER QTY	CODE
Premium Black	6 x 1/2 (150 x 12)	5	512 150B
Premium Black	8 x 1/2 (200 x 12)	5	512 200B



GATEMATE® Garage Door Bolt with 5/8" Shoot

FINISH	SIZE INS (MM)	MIN. ORDER QTY	OUTER CARTON QTY	CODE
Premium Black	18 (450)	5	20	520 450B



GATEMATE® ORNAMENTAL RANGE

GATEMATE® Ornamental Straight Band & Hook on Plate



FINISH	SIZE INS (MM)	UNIT QTY	LOAD APPL.	MIN. ORDER QTY	CODE
Dull Black	18 (450)	1 Pair	C	1 Pair	563 4503

GATEMATE® Ornamental Tee Hinges



FINISH	SIZE INS (MM)	UNIT QTY	LOAD APPL.	MIN. ORDER QTY	CODE
Dull Black	6 (150)	1 Pair	A	5 Pairs	550 1503
Dull Black	9 (225)	1 Pair	A	5 Pairs	550 2253
Dull Black	12 (300)	1 Pair	A	5 Pairs	550 3003

GATEMATE® Ornamental Heavy Duty Tee Hinges



FINISH	SIZE INS (MM)	UNIT QTY	LOAD APPL.	MIN. ORDER QTY	CODE
Dull Black	12 (300)	1 Pair	B	5 Pairs	574 3003
Dull Black	14 (350)	1 Pair	B	5 Pairs	574 3503
Dull Black	16 (400)	1 Pair	B	5 Pairs	574 4003
Dull Black	18 (450)	1 Pair	B	5 Pairs	574 4503

GATEMATE® Ornamental Fleur De Lys Tee Hinges



FINISH	SIZE INS (MM)	UNIT QTY	LOAD APPL.	MIN. ORDER QTY	CODE
Dull Black	12 (300)	1 Pair	B	5 Pairs	551 3003

GATEMATE® Ornamental Butterfly Hinges



FINISH	SIZE INS (MM)	UNIT QTY	LOAD APPL.	MIN. ORDER QTY	CODE
Dull Black	2¾ x 2 (70 x 50)	1 Pair	A	5 Pairs	552 7053

GATEMATE® Ornamental Unequal Hinges

FINISH	SIZE INS (MM)	UNIT QTY	LOAD APPL.	MIN. ORDER QTY	CODE
Dull Black	4 x 3 (100 x 75)	1 Pair	A	5 Pairs	553 1003



GATEMATE® Ornamental Suffolk Latch

FINISH	SIZE INS (MM)	MIN. ORDER QTY	CODE
Dull Black	6 (150)	5	564 1503



GATEMATE® Ornamental Ring Gate Latch

FINISH	SIZE INS (MM)	MIN. ORDER QTY	CODE
Dull Black	8 (200)	5	561 2003
Dull Black	10 (250)	5	561 2503
Galvanised	8 (200)	5	561 2001
Galvanised	10 (250)	5	561 2501



GATEMATE® Ornamental Cast Pattern Cabin Hooks

FINISH	SIZE INS (MM)	MIN. ORDER QTY	CODE
Dull Black	6 (150)	5	559 1503



GATEMATE® Ornamental Heavy Duty Drop Bolts



FINISH	SIZE INS (MM)*	MIN. ORDER QTY	OUTER CARTON QTY	CODE
Galvanised	24 x 5/8 (600 x 16)	1	5	518 6001
Epoxy Black	24 x 5/8 (600 x 16)	1	5	518 6003

*Shoot length x diameter

GATEMATE® Ornamental Straight Door Bolts



FINISH	SIZE INS (MM)	MIN. ORDER QTY	CODE
Dull Black	6 (150)	5	557 1503

GATEMATE® Ornamental Fleur De Lys Pull Handle



FINISH	SIZE INS (MM)	MIN. ORDER QTY	CODE
Dull Black	7 (175)	5	560 1753

GATEMATE® Ornamental Lever Lock Handles



FINISH	SIZE INS (MM)	SPINDLE LENGTH INS (MM)	UNIT QTY	MIN. ORDER QTY	CODE
Dull Black	6 x 2 (150 x 50)	3 (75)	1 Pair	5 Pairs	555 1503

GATEMATE® Ornamental Fleur De Lys Lever Lock Handles



FINISH	SIZE INS (MM)	SPINDLE LENGTH INS (MM)	UNIT QTY	MIN. ORDER QTY	CODE
Dull Black	7 x 2 (175 x 50)	3 (75)	1 Pair	5 Pairs	556 1753

GATEMATE® Ornamental Cast Octagonal Door Knob

FINISH	SIZE INS (MM)	SPINDLE LENGTH INS (MM)	MIN. ORDER QTY	OUTER CARTON QTY	CODE
Dull Black	2 (50)	3 (75)	1	5	575 0503



GATEMATE® Ornamental Numerals

DESC	FINISH	SIZE INS (MM)	MIN. ORDER QTY	CODE
No. 0	Dull Black	3 (75)	5	570 0030
No. 1	Dull Black	3 (75)	5	570 0031
No. 2	Dull Black	3 (75)	5	570 0032
No. 3	Dull Black	3 (75)	5	570 0033
No. 4	Dull Black	3 (75)	5	570 0034
No. 5	Dull Black	3 (75)	5	570 0035
No. 6	Dull Black	3 (75)	5	570 0036
No. 7	Dull Black	3 (75)	5	570 0037
No. 8	Dull Black	3 (75)	5	570 0038
No. 9	Dull Black	3 (75)	5	570 0039



“ Thank you Birkdale Sales ”

Knowledgeable, professional & helpful... ALWAYS. A highly valued supplier for many years & an absolute pleasure to do business with. Thank you to Birkdale Sales.



GATEMATE® HIGH PERFORMANCE RANGE

Hinges

GATEMATE® Standard Unsprung Gate Hinges



FINISH	SIZE (MM)	SUITABLE FOR	UNIT QTY	MIN. ORDER QTY	CODE
Black Composite/ Polymer (A)	90 x 70	25-50mm posts	1 Pair	1 Pair	891 1F13
Black Composite/ Polymer (B)	110 x 75	40 - 75mm posts	1 Pair	1 Pair	891 1F23

GATEMATE® Self-Closing Fixed Spring Hinges with Legs



SELF
CLOSE
HINGE

FINISH	SIZE (MM)	SUITABLE FOR	UNIT QTY	MIN. ORDER QTY	CODE
Black Composite/ Polymer	110 x 75	40-75mm posts	1 Pair	1 Pair	893 1F23

GATEMATE® Adjustable Self-Closing Hinges with Legs



SELF
CLOSE
HINGE

FINISH	SIZE (MM)	UNIT QTY	MIN. ORDER QTY	CODE
Black Composite/Polymer (A)	108 x 63.5	1 Pair	1 Pair	894 1F23
Aluminium/Black (B)	146 x 89	1 Pair	1 Pair	892 1F43

Max closing weight 25kg

GATEMATE® Self-Closing Hinges without Legs



SELF
CLOSE
HINGE

FINISH	SIZE (MM)	UNIT QTY	MIN. ORDER QTY	CODE
Black Composite/Polymer	108 x 63.5	1 Pair	1 Pair	894 0V23

Max closing weight 25kg

GATEMATE® Self-Closing Offset Hinges with Legs

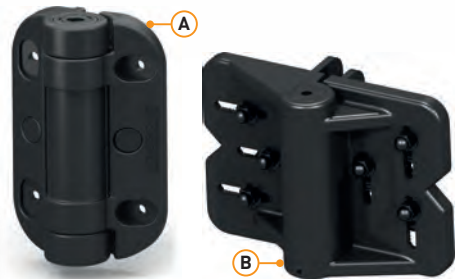
DESC	FINISH	SIZE (MM)	UNIT QTY	MIN. ORDER QTY	CODE
Hinge	Black Composite/Polymer	108 x 110	1 Pair	1 Pair	894 1F83
Max closing weight 25kg					



SELF
CLOSE
HINGE

GATEMATE® Heavy Duty Self-Closing Hinges

DESC	FINISH	SIZE (MM)	UNIT QTY	MIN. ORDER QTY	CODE
Hinge (A)	Black Composite/ Polymer	125 x 90	1 Pair	1 Pair	894 1F53
Adjustable Hinge (B)	Black Composite/ Polymer	125 x 178	1 Pair	1 Pair	894 1A73
Ornamental Hinge (C)	Black Steel	200	1 Pair	1 Pair	895 0F53
Max closing weight 60kg					



SELF
CLOSE
HINGE

GATEMATE® Garage Door Bolt

FINISH	SIZE INS (MM)	MIN. ORDER QTY	CODE
Stainless Steel	18 (450)	1	896 1B83
Key lockable. Includes fixings			



Industry leading customer service

Built on years of experience, our knowledgeable team are more than happy to assist you.

T 0345 450 9000 E mail@birkdalesales.com



Latches

GATEMATE® Gravity Latch



BEST
SELLER ★

DESC	FINISH	KEYED ALIKE	LOCK TYPE	MIN. ORDER QTY	OUTER CARTON QTY	CODE
Gravity Latch	Black Polymer	No	Single Locking	1	5	896 1S53
Gravity Latch	Black Polymer	No	Double Locking	1	5	896 1D53
Gravity Latch	Black Polymer	Yes	Single Locking	1	5	896 1S53KA

GATEMATE® Gravity Latch - Zinc Alloy



FINISH	KEYED ALIKE	LOCK TYPE	MIN. ORDER QTY	OUTER CARTON QTY	CODE
Black	No	Single Locking	1	5	897 1S53

GATEMATE® Pro Gravity Latch



FINISH	KEYED ALIKE	LOCK TYPE	MIN. ORDER QTY	OUTER CARTON QTY	CODE
Black Polymer	No	Double Locking	1	5	896 1D73
Black Polymer	Yes	Double Locking	1	5	896 1D73KA

GATEMATE® Magnetic Side Pull



FINISH	MIN. ORDER QTY	OUTER CARTON QTY	CODE
Black Polymer	1	5	898 0S13

GATEMATE® METAL GATES

GATEMATE® Easi-Fit Adjustable Gate Post System

GATEMATE®
BY BIRKDALE

EASI-FIT ADJUSTABLE GATE POST SYSTEM

With unique anti-finger trap technology

- 3D adjustable pivot hinges available to prevent finger trapping - no other hinge system on the market has this benefit
- Height adjustable even after installation
- Unique high-load fixings; no need for welding, drilling or threading
- Patent Pending technology



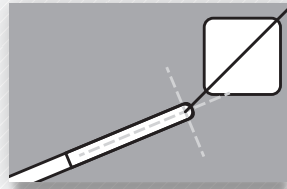
PREMIUM
QUALITY



PRE
PACKED



FIXINGS
INCLUDED



Positioning the gate so the edge is on the corner of the post ensures the gap between the two remains consistent; removing the danger of finger trapping, bringing you in line with legislation.



GATEMATE® Easi-Fit Adjustable Gate Post System - Steel Post

FINISH	SIZE (MM)	MIN. ORDER QTY	CODE
Premium Black	2440 x 150 x 150	20	800 2443





GATEMATE® Easi-Fit Adjustable Gate Post System - Standard Hinge Set



FINISH	SIZE INS (MM)	PIN Ø (MM)	LOADING (KG)	MIN. ORDER QTY	CODE
Premium Black	12 (300)	19	200	1	801 0193

GATEMATE® Easi-Fit Adjustable Gate Post System - Top Pivot Hinge



Left handed illustrated

FINISH	SIZE INS (MM)	DESC	LOADING (KG)	MIN. ORDER QTY	CODE
Premium Black	16 (400)	Right Hand	250	1	801 4003
Premium Black	16 (400)	Left Hand	250	1	801 4013

GATEMATE® Easi-Fit Adjustable Gate Post System - Bottom Pivot Hinge



Left handed illustrated

FINISH	SIZE INS (MM)	DESC	LOADING (KG)	MIN. ORDER QTY	CODE
Premium Black	16 (400)	Right Hand	250	1	801 4023
Premium Black	16 (400)	Left Hand	250	1	801 4033

GATEMATE® Ascot Single Entrance Gate



TIP

Ensure to leave ground clearance of 50mm

FINISH	GATE SIZE H X W (MM)	TO SUIT OPENING SIZE (MM)	MIN. ORDER QTY	OUTER CARTON QTY	CODE
Premium Black	910*x815	900-1000	1	4	802 1003
Premium Black	910*x740	820-920	1	4	802 9003

*Including ground clearance of 50mm. Gates supplied with adjustable gate fixing kit

GATEMATE® Windsor Bow Top Metal Gate



TIP

Ensure to leave ground clearance of 50mm

FINISH	GATE SIZE H X W (MM)	TO SUIT OPENING SIZE (MM)	MIN. ORDER QTY	CODE
Premium Black	1890*x815	900-1000	1	803 1003
Premium Black	1810*x740	820-920	1	803 9003

*Including ground clearance of 50mm. Gates supplied with adjustable gate fixing kit

GATEMATE® Metal Gate Fixing Kit

FINISH	MIN. ORDER QTY	OUTER CARTON QTY	CODE
Epoxy Black	5	20	599 0003

Includes: latch bar, 2 x hinge mounts, receiver plate and fixings to suit



GATEMATE® Metal Gate Fixing Kit with Adjustable Gate Eyes

FINISH	MIN. ORDER QTY	OUTER CARTON QTY	CODE
Epoxy Black	1	5	801 0003

Gate kit includes: 2 x adjustable gate eyes (4" x 1/2"), 2 x hinge mounts, padlockable latch assembly (padlock not included), receiving plate and fixings to suit



GATEMATE® Single Post for Metal Gates

FINISH	SIZE (MM)	MIN. ORDER QTY	CODE
Premium Black	1300 x 75 x 50	1	800 1303
Premium Black	2400 x 75 x 50	1	800 2403

Post supplied with plastic end caps and self drilling screws for gate fixing kits



GATEMATE® HANDRAIL BRACKETS



GATEMATE® Handrail Brackets

FINISH	DISTANCE FROM WALL INS (MM)	UNIT QTY	MIN. ORDER QTY	CODE
BZP	2½ (65)	Pack of 2	5	833 0652
White	2½ (65)	Pack of 2	5	833 0657

GATEMATE® CHAIN, WIRE & ROPE FITTINGS



GATEMATE® Straight Link Chain

FINISH	SIZE (MM)	LENGTH (M)	MIN. ORDER QTY	CODE
Galvanised	3 x 21	2	5	578 0031
Galvanised	4 x 26	2	5	578 0041
Galvanised	5 x 28	2	5	578 0051
Galvanised	6 x 42	2	5	578 0061

Size = thickness x inside of link
Not Tested



GATEMATE® Quick Repair Link

FINISH	SIZE (MM)	UNIT QTY	MIN. ORDER QTY	CODE
BZP	3	Pack of 2	5 Packs	591 0032
BZP	4	Pack of 2	5 Packs	591 0042
BZP	5	Pack of 2	5 Packs	591 0052
BZP	6	Pack of 2	5 Packs	591 0062
BZP	7	Pack of 1	5 Packs	591 0072
BZP	8	Pack of 1	5 Packs	591 0082
BZP	10	Pack of 1	5 Packs	591 0102

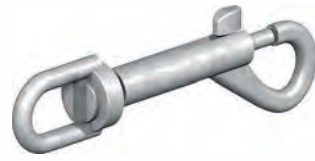


GATEMATE® Spring Hooks to Crue

FINISH	SIZE INS (MM)	UNIT QTY	MIN. ORDER QTY	CODE
BZP	2 (50)	Pack of 2	5 Packs	586 0502
BZP	3 (75)	Pack of 2	5 Packs	586 0752
BZP	3½ (88)	Pack of 2	5 Packs	586 0882
BZP	4 (100)	Pack of 2	5 Packs	586 1002

GATEMATE® Swivel Harness Snap Hooks

FINISH	SIZE INS (MM)	MIN. ORDER QTY	CODE
Nickel Plated	3 x ¾ (76 x 19)	5 Packs	588 0760



GATEMATE® Swivel Spring Hooks

FINISH	SIZE INS (MM)	UNIT QTY	MIN. ORDER QTY	CODE
BZP	2 (50)	Pack of 2	5	589 0502
BZP	3 (75)	Pack of 2	5	589 0752
BZP	4 (100)	Pack of 1	5	589 1002



GATEMATE® Carbine Hooks

FINISH	SIZE (MM)	UNIT QTY	MIN. ORDER QTY	CODE
BZP	5 x 50	Pack of 2	5	587 5052
BZP	6 x 60	Pack of 2	5	587 6062
BZP	7 x 70	Pack of 2	5	587 7072
BZP	8 x 80	Pack of 2	5	587 8082
BZP	10 x 100	Pack of 2	5	587 1002
BZP	11 x 120	Pack of 2	5	587 1212



GATEMATE® Dee Shackles

FINISH	GAUGE/DIAMETER	UNIT QTY	MIN. ORDER QTY	CODE
BZP	6mm	Pack of 4	5	594 0062
BZP	8mm	Pack of 2	5	594 0082
BZP	10mm	Pack of 2	5	594 0102
BZP	12mm	Pack of 2	5	594 0122
BZP	16mm	Pack of 2	5	594 0162



GATEMATE® Ring on Heavy Duty Plate

FINISH	PLATE SIZE INS (MM)	MIN. ORDER QTY	CODE
Galvanised	4 x 2 (100 x 50)	5	546 1501



GATEMATE® Ring on Plate



FINISH	PLATE SIZE INS (MM)	MIN. ORDER QTY	OUTER CARTON QTY	CODE
Galvanised	2 x 2 (50 x 50)	5	40	584 0501

GATEMATE® Hooks on Plate



FINISH	PLATE SIZE INS (MM)	UNIT QTY	MIN. ORDER QTY	CODE
Galvanised	2 x 2 (50 x 50)	Pack of 2	5 Packs	582 0501

GATEMATE® Staples on Plate



FINISH	PLATE SIZE INS (MM)	UNIT QTY	MIN. ORDER QTY	OUTER CARTON QTY	CODE
Galvanised	2 x 2 (50 x 50)	Pack of 2	5 Packs	40 Packs	583 0501

GATEMATE® Bucket Clip on Plate



FINISH	PLATE SIZE INS (MM)	MIN. ORDER QTY	CODE
Galvanised	2 x 2 (50 x 50)	5	584 0001

GATEMATE® Manger Ring on Eyebolt



FINISH	SIZE INS (MM)	MIN. ORDER QTY	CODE
BZP	3 x 8 (75 x 200)	5	585 0752

GATEMATE® Tying Wire - ½kg Coil

FINISH	GAUGE (MM)	MIN. ORDER QTY	CODE
Galvanised	1.6	5	542 0011
Green PVC	2/1.4	5	542 0029



GATEMATE® Wire Rope Grips

FINISH	GAUGE (MM)	UNIT QTY	MIN. ORDER QTY	CODE
BZP	3	Pack of 4	5 Packs	593 0032
BZP	5	Pack of 4	5 Packs	593 0052
BZP	6	Pack of 4	5 Packs	593 0062
BZP	8	Pack of 2	5 Packs	593 0082
BZP	10	Pack of 2	5 Packs	593 0102
BZP	12	Pack of 2	5 Packs	593 0122



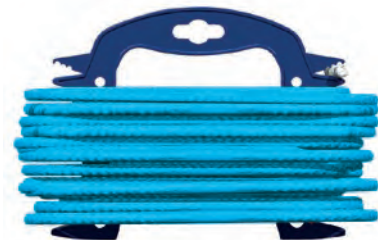
GATEMATE® Barrel Strainers

FINISH	SIZE INS (MM)	UNIT QTY	MIN. ORDER QTY	CODE
BZP	¼ (6)	Pack of 2	5 Packs	590 0062
BZP	⅝ (8)	Pack of 2	5 Packs	590 0082
BZP	¾ (10)	Pack of 2	5 Packs	590 0102
BZP	½ (12)	Pack of 2	5 Packs	590 0122



GATEMATE® Polypropylene Rope on Winder

FINISH	LENGTH (M)	GAUGE (MM)	MIN. ORDER QTY	CODE
Blue	15	8	5	579 1480
Blue	20	6	5	579 2160



GATEMATE® FENCING ACCESSORIES

GATEMATE® Rabbit Netting Pegs

FINISH	SIZE INS (MM)	UNIT QTY	MIN. ORDER QTY	CODE
Galvanised	12 (300)	Pack of 5	5 Packs	830 3001



GATEMATE® Panel Fixing Clips

FINISH	SIZE (MM)	UNIT QTY	MIN. ORDER QTY	CODE
Pre-Galvanised	45 x 50	Pack of 4	5 Packs	832 0457



GATEMATE® Balustrade Brackets

FINISH	SIZE (MM)	UNIT QTY	MIN. ORDER QTY	CODE
BZP/YP	40 x 40 x 30	Pack of 10	5 Packs	832 0302



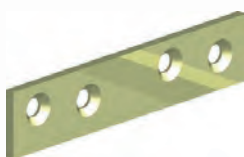
GATEMATE® Corner Braces

FINISH	SIZE INS (MM)	UNIT QTY	MIN. ORDER QTY	CODE
BZP/YP	1 (25)	Pack of 10	5 Packs	531 0258
BZP/YP	1½ (38)	Pack of 10	5 Packs	531 0388
BZP/YP	2 (50)	Pack of 10	5 Packs	531 0508
BZP/YP	2½ (65)	Pack of 5	5 Packs	531 0658
BZP/YP	3 (75)	Pack of 5	5 Packs	531 0758
BZP/YP	4 (100)	Pack of 5	5 Packs	531 1008
BZP/YP	6 (150)	Pack of 5	5 Packs	531 1508



GATEMATE® Mending Plates

FINISH	SIZE INS (MM)	UNIT QTY	MIN. ORDER QTY	CODE
BZP/YP	3 (75)	Pack of 5	5 Packs	537 0758
BZP/YP	4 (100)	Pack of 5	5 Packs	537 1008
BZP/YP	5 (125)	Pack of 5	5 Packs	537 1258



GATE FURNITURE + ACCESSORIES



CAREFULLY SELECTED PREMIUM QUALITY GATE FURNITURE AND ACCESSORIES; LOOSE PACKED FOR BULK PURCHASING

076 Hinges

089 Latches, Catches, Hooks & Bolts

101 Locking Bars, Hasp & Staples

102 Locks & Security

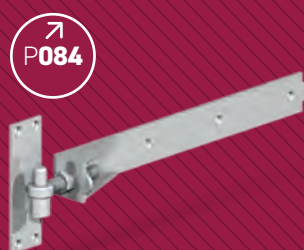
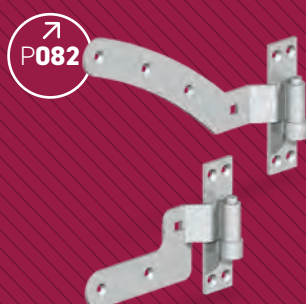
105 Other Gate Accessories

107 Field Gate Fittings

127 Gate Automation Accessories

128 Premium Finish Range

134 Ornamental Range



HINGES

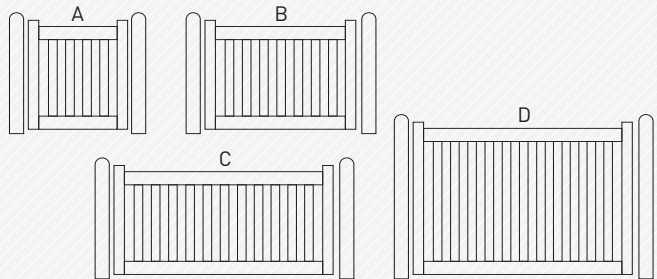
Tee & Strap Hinges

HINGE LOADING APPLICATION PER PAIR

When selecting hinges for your gate please ensure that you choose ones with the correct loading application.

This is only approximate hinge loading application as none of our hinges are tested.

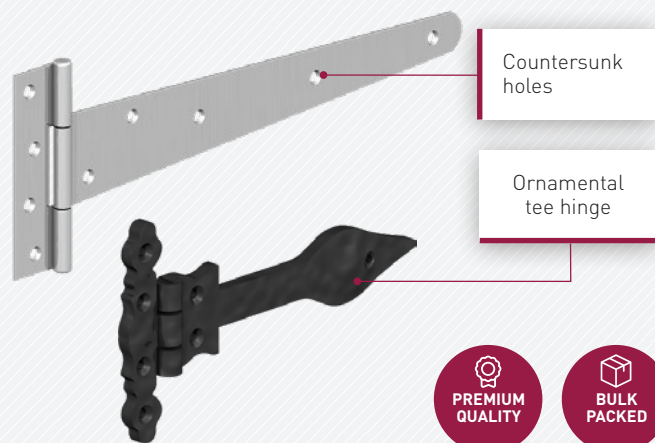
For heavier gates, an additional hinge can be added.



GATE TYPE	CLASS	WEIGHT	MAXIMUM WIDTH
A	SMALL GATES AND DOORS	UP TO 10KG	900MM
B	MEDIUM GATE	UP TO 20KG	1200MM
C	LARGE GATE	UP TO 50KG	1800MM
D	EXTRA LARGE GATE	UP TO 80KG	2400MM

TEE HINGES

- Suitable for a huge range of gates; with light, medium and heavy weights
- Available in stainless steel and premium black (epoxy black on galvanised steel) finishes
- Ornamental designs also available
- Loading Application: A - D



Light Tee Hinges

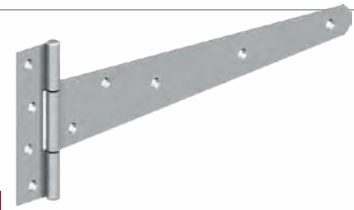


FINISH	SIZE INS (MM)	LOAD APPL.	UNIT QTY	MIN. ORDER QTY	OUTER CARTON QTY	CODE
BZP	4 (100)	A	1 Pair	10 Pairs	200 Pairs	001 1002
BZP	6 (150)	A	1 Pair	10 Pairs	150 Pairs	001 1502
BZP	8 (200)	A	1 Pair	10 Pairs	100 Pairs	001 2002
BZP	10 (250)	A	1 Pair	10 Pairs	80 Pairs	001 2502
BZP	12 (300)	A	1 Pair	10 Pairs	60 Pairs	001 3002
Epoxy Black	4 (100)	A	1 Pair	10 Pairs	200 Pairs	001 1003
Epoxy Black	6 (150)	A	1 Pair	10 Pairs	150 Pairs	001 1503
Epoxy Black	8 (200)	A	1 Pair	10 Pairs	100 Pairs	001 2003
Epoxy Black	10 (250)	A	1 Pair	10 Pairs	80 Pairs	001 2503
Epoxy Black	12 (300)	A	1 Pair	10 Pairs	60 Pairs	001 3003

Material thickness between 1.00 and 1.50mm

Medium Tee Hinges

FINISH	SIZE INS (MM)	LOAD APPL.	UNIT QTY	MIN. ORDER QTY	OUTER CARTON QTY	CODE
Galvanised	12 (300)	B	1 Pair	10 Pairs	60 Pairs	002 3001
Galvanised	14 (350)	B	1 Pair	10 Pairs	40 Pairs	002 3501
Galvanised	15 (375)	B	1 Pair	10 Pairs	40 Pairs	002 3751
Galvanised	16 (400)	B	1 Pair	10 Pairs	30 Pairs	002 4001
Galvanised	18 (450)	B	1 Pair	10 Pairs	20 Pairs	002 4501
Galvanised	24 (600)	B	1 Pair	5 Pairs	-	002 6001
BZP	10 (250)	B	1 Pair	10 Pairs	40 Pairs	002 2502
BZP	12 (300)	B	1 Pair	10 Pairs	60 Pairs	002 3002
BZP	14 (350)	B	1 Pair	10 Pairs	40 Pairs	002 3502
BZP	15 (375)	B	1 Pair	10 Pairs	40 Pairs	002 3752
BZP	16 (400)	B	1 Pair	10 Pairs	30 Pairs	002 4002
BZP	18 (450)	B	1 Pair	10 Pairs	20 Pairs	002 4502
BZP	24 (600)	B	1 Pair	5 Pairs	-	002 6002
Epoxy Black	10 (250)	B	1 Pair	10 Pairs	40 Pairs	002 2503
Epoxy Black	12 (300)	B	1 Pair	10 Pairs	60 Pairs	002 3003
Epoxy Black	14 (350)	B	1 Pair	10 Pairs	40 Pairs	002 3503
Epoxy Black	15 (375)	B	1 Pair	10 Pairs	40 Pairs	002 3753
Epoxy Black	16 (400)	B	1 Pair	10 Pairs	30 Pairs	002 4003
Epoxy Black	18 (450)	B	1 Pair	10 Pairs	20 Pairs	002 4503
Epoxy Black	24 (600)	B	1 Pair	5 Pairs	-	002 6003
Premium Black	18 (450)	B	1 Pair	1 Pair	10 Pairs	002 450B



★ BEST SELLER

★ BEST SELLER

Material thickness between 1.80 and 2.50mm

Heavy Tee Hinges

FINISH	SIZE INS (MM)	LOAD APPL.	UNIT QTY	MIN. ORDER QTY	CODE
BZP	4 (100)	C	1 Pair	10 Pairs	016 1002
BZP	12 (300)	C	1 Pair	10 Pairs	016 3002
BZP	15 (375)	C	1 Pair	10 Pairs	016 3752
BZP	18 (450)	C	1 Pair	10 Pairs	016 4502

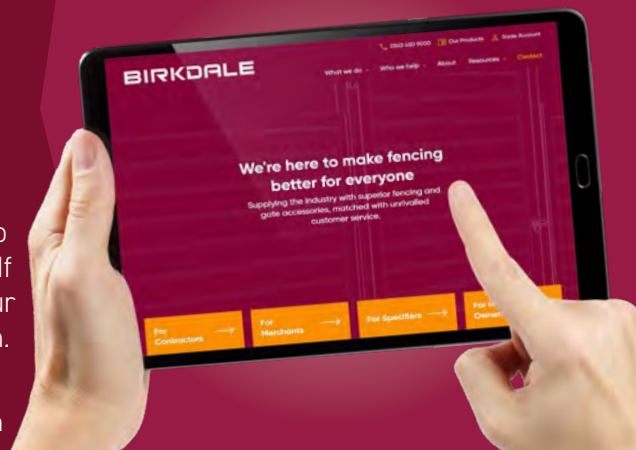


Ordering online is easy!

We're continuously making improvements so that you can order online quickly and easily. If you aren't already ordering online, contact our Customer Loyalty Team for more information.

birkdalesales.com

T 0345 450 9000 **E** mail@birkdalesales.com



Strong Tee Hinges



FINISH	SIZE INS (MM)	LOAD APPL.	UNIT QTY	MIN. ORDER QTY	OUTER CARTON QTY	CODE
Galvanised	6 (150)	C	1 Pair	10 Pairs	30 Pairs	003 1501
Galvanised	10 (250)	C	1 Pair	10 Pairs	40 Pairs	003 2501
Galvanised	12 (300)	C	1 Pair	10 Pairs	40 Pairs	003 3001
Galvanised	14 (350)	C	1 Pair	10 Pairs	-	003 3501
Galvanised	16 (400)	C	1 Pair	10 Pairs	-	003 4001
Galvanised	18 (450)	C	1 Pair	10 Pairs	-	003 4501
Galvanised	20 (500)	C	1 Pair	10 Pairs	-	003 5001
Galvanised	24 (600)	C	1 Pair	5 Pairs	-	003 6001
BZP	6 (150)	C	1 Pair	10 Pairs	60 Pairs	003 1502
BZP	8 (200)	C	1 Pair	10 Pairs	40 Pairs	003 2002
BZP	10 (250)	C	1 Pair	10 Pairs	40 Pairs	003 2502
BZP	12 (300)	C	1 Pair	10 Pairs	40 Pairs	003 3002
Epoxy Black	6 (150)	C	1 Pair	10 Pairs	60 Pairs	003 1503
Epoxy Black	12 (300)	C	1 Pair	10 Pairs	40 Pairs	003 3003
Epoxy Black	14 (350)	C	1 Pair	10 Pairs	-	003 3503
Epoxy Black	16 (400)	C	1 Pair	10 Pairs	-	003 4003
Epoxy Black	18 (450)	C	1 Pair	10 Pairs	-	003 4503
Epoxy Black	20 (500)	C	1 Pair	10 Pairs	-	003 5003
Epoxy Black	24 (600)	C	1 Pair	5 Pairs	-	003 6003
Premium Black	18 (450)	C	1 Pair	1 Pair	-	003 450B
Premium Black	24 (600)	C	1 Pair	1 Pair	-	003 600B

Material thickness between 2.00 and 3.50mm

Weighty Scotch Tee Hinges



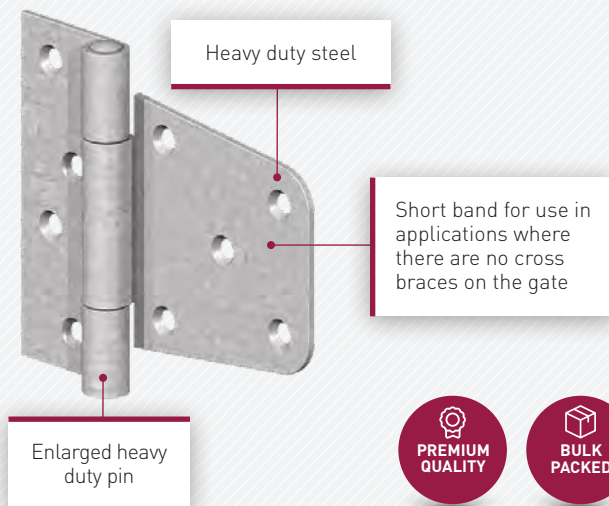
FINISH	SIZE INS (MM)	LOAD APPL.	UNIT QTY	MIN. ORDER QTY	OUTER CARTON QTY	CODE
Galvanised	4 (100)	C	1 Pair	5 Pairs	50 Pairs	004 1001
Galvanised	6 (150)	C	1 Pair	5 Pairs	40 Pairs	004 1501
Galvanised	8 (200)	C	1 Pair	5 Pairs	40 Pairs	004 2001
Galvanised	10 (250)	C	1 Pair	5 Pairs	20 Pairs	004 2501
Galvanised	12 (300)	C	1 Pair	5 Pairs	15 Pairs	004 3001
Galvanised	14 (350)	C	1 Pair	5 Pairs	-	004 3501
Galvanised	16 (400)	C	1 Pair	5 Pairs	-	004 4001
Galvanised	18 (450)	D	1 Pair	5 Pairs	-	004 4501
Galvanised	20 (500)	D	1 Pair	5 Pairs	-	004 5001
Galvanised	24 (600)	D	1 Pair	2 Pairs	-	004 6001
Stainless Steel*	12 (300)	D	1 Pair	1 Pair	10 Pairs	004 3006

Material thickness between 2.00 and 4.00mm

*Constructed from Grade 316 stainless steel

HEAVY DUTY OFFSET TEE HINGE

- The only offset tee hinge on the market!
- Provides increased strength over standard butt hinges
- Suitable for arched top and flat style continental gates where there are no cross braces



Heavy Duty Offset Tee Hinges

FINISH	SIZE INS (MM)	LOAD APPL.	UNIT QTY	MIN. ORDER QTY	OUTER CARTON QTY	CODE
Galvanised	3½ (89)	C	1 Pair	5 Pairs	30 Pairs	015 0011
BZP	3½ (89)	C	1 Pair	5 Pairs	30 Pairs	015 0012
Epoxy Black	3½ (89)	C	1 Pair	5 Pairs	30 Pairs	015 0013

Material thickness 2.5mm



Medium Strap Hinges

FINISH	SIZE INS (MM)	LOAD APPL.	UNIT QTY	MIN. ORDER QTY	OUTER CARTON QTY	CODE
Galvanised	12 (300)	B	1 Pair	5 Pairs	-	005 3001
BZP	6 (150)	B	1 Pair	5 Pairs	40 Pairs	005 1502
BZP	8 (200)	B	1 Pair	5 Pairs	20 Pairs	005 2002
BZP	10 (250)	B	1 Pair	5 Pairs	15 Pairs	005 2502
BZP	12 (300)	B	1 Pair	5 Pairs	-	005 3002



A personal team on hand to help



Area Sales Manager



Internal Account Manager



Customer Loyalty Executive

T 0345 450 9000 E mail@birkdalesales.com



Band & Hook Hinges

Straight Band & Hook on Plate



FINISH	SIZE INS (MM)	PIN/EYE Ø INS (MM)	LOAD APPL.	UNIT QTY	MIN. ORDER QTY	OUTER CARTON QTY	CODE
Galvanised	8 (200)	½ (12)	B	1 Pair	10 Pairs	20 Pairs	006 2001
Galvanised	10 (250)	½ (12)	B	1 Pair	5 Pairs	20 Pairs	006 2501
Galvanised	12 (300)	½ (12)	B	1 Pair	5 Pairs	20 Pairs	006 3001
Galvanised	14 (350)	½ (12)	B	1 Pair	5 Pairs	15 Pairs	006 3501
Galvanised	16 (400)	½ (12)	B	1 Pair	5 Pairs	10 Pairs	006 4001
Galvanised	18 (450)	⅝ (16)	C	1 Pair	5 Pairs	10 Pairs	006 4501
Galvanised	20 (500)	⅝ (16)	C	1 Pair	5 Pairs	10 Pairs	006 5001
Galvanised	24 (600)	⅝ (16)	C	1 Pair	2 Pairs	6 Pairs	006 6001
Galvanised	30 (750)	¾ (20)	D	1 Pair	2 Pairs	-	006 7501
Galvanised	36 (900)	¾ (20)	D	1 Pair	2 Pairs	-	006 9001
Galvanised	48 (1200)	¾ (20)	D	1 Pair	1 Pair	-	006 1201
Epoxy Black	12 (300)	½ (12)	B	1 Pair	5 Pairs	20 Pairs	006 3003
Epoxy Black	14 (350)	½ (12)	B	1 Pair	5 Pairs	15 Pairs	006 3503
Epoxy Black	16 (400)	½ (12)	B	1 Pair	5 Pairs	10 Pairs	006 4003
Epoxy Black	18 (450)	⅝ (16)	C	1 Pair	5 Pairs	10 Pairs	006 4503
Epoxy Black	24 (600)	⅝ (16)	C	1 Pair	2 Pairs	6 Pairs	006 6003
Epoxy Black	30 (750)	¾ (20)	D	1 Pair	2 Pairs	-	006 7503
Epoxy Black	36 (900)	¾ (20)	D	1 Pair	2 Pairs	-	006 9003
Stainless Steel*	18 (450)	⅝ (16)	C	1 Pair	1 Pair	5 Pairs	006 4506

*Constructed from Grade 316 stainless steel



Next day delivery service

Order by 5pm for next day delivery to UK mainland addresses (3-5 working days for DuraPost®, Post Concrete, Highlands, Islands and Ireland)

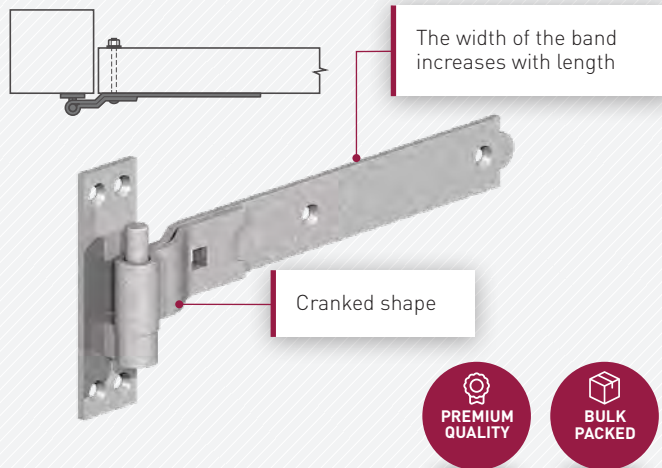
T 0345 450 9000 F 0345 450 9085



CRANKED BAND & HOOK ON PLATE

Designed for installations where the gate is flush with the front of the post.

- Available in a range of sizes and finishes including stainless steel and premium black (epoxy black on galvanised steel) finishes
- Suitable for wooden gates
- Loading Application B - D; see page 76



Cranked Band & Hook on Plate

FINISH	SIZE INS (MM)	PIN/EYE Ø INS (MM)	LOAD APPL.	UNIT QTY	MIN. ORDER QTY	OUTER CARTON QTY	CODE
Galvanised	10 (250)	½ (12)	B	1 Pair	10 Pairs	20 Pairs	007 2501
Galvanised	12 (300)	½ (12)	B	1 Pair	5 Pairs	20 Pairs	007 3001
Galvanised	14 (350)	½ (12)	B	1 Pair	5 Pairs	15 Pairs	007 3501
Galvanised	16 (400)	½ (12)	B	1 Pair	5 Pairs	10 Pairs	007 4001
Galvanised	18 (450)	⅝ (16)	C	1 Pair	5 Pairs	10 Pairs	007 4501
Galvanised	20 (500)	⅝ (16)	C	1 Pair	5 Pairs	10 Pairs	007 5001
Galvanised	24 (600)	⅝ (16)	C	1 Pair	2 Pairs	6 Pairs	007 6001
Galvanised	30 (750)	¾ (20)	D	1 Pair	2 Pairs	-	007 7501
Galvanised	36 (900)	¾ (20)	D	1 Pair	2 Pairs	-	007 9001
Galvanised	42 (1050)	¾ (20)	D	1 Pair	1 Pair	-	007 1051
Galvanised	48 (1200)	¾ (20)	D	1 Pair	1 Pair	-	007 1201
Epoxy Black	12 (300)	½ (12)	B	1 Pair	5 Pairs	20 Pairs	007 3003
Epoxy Black	14 (350)	½ (12)	B	1 Pair	5 Pairs	15 Pairs	007 3503
Epoxy Black	16 (400)	½ (12)	B	1 Pair	5 Pairs	10 Pairs	007 4003
Epoxy Black	18 (450)	⅝ (16)	C	1 Pair	5 Pairs	10 Pairs	007 4503
Epoxy Black	20 (500)	⅝ (16)	C	1 Pair	5 Pairs	10 Pairs	007 5003
Epoxy Black	24 (600)	⅝ (16)	C	1 Pair	2 Pairs	6 Pairs	007 6003
Epoxy Black	30 (750)	¾ (20)	D	1 Pair	2 Pairs	-	007 7503
Epoxy Black	36 (900)	¾ (20)	D	1 Pair	2 Pairs	-	007 9003
Epoxy Black	48 (1200)	¾ (20)	D	1 Pair	1 Pair	-	007 1203
Premium Black	18 (450)	⅝ (16)	C	1 Pair	1 Pair	5 Pairs	007 450B
Premium Black	24 (600)	⅝ (16)	C	1 Pair	1 Pair	2 Pairs	007 600B
Premium Black	30 (750)	¾ (20)	D	1 Pair	1 Pair	2 Pairs	007 750B
Premium Black	36 (900)	¾ (20)	D	1 Pair	1 Pair	2 Pairs	007 900B
Stainless Steel*	18 (450)	⅝ (16)	C	1 Pair	1 Pair	5 Pairs	007 4506
Stainless Steel*	24 (600)	⅝ (16)	C	1 Pair	1 Pair	2 Pairs	007 6006
Stainless Steel*	36 (900)	¾ (20)	D	1 Pair	1 Pair	-	007 9006



*Constructed from Grade 316 stainless steel

Cranked Curved Rail Hinge Set



FINISH	SIZE INS (MM)	DESC	LOAD APPL.	UNIT QTY	MIN. ORDER QTY	CODE
Galvanised	12 (300)	Left Handed	B	1 Pair	5 Pairs	026 0001
Galvanised	12 (300)	Right Handed	B	1 Pair	5 Pairs	026 0011
Premium Black	12 (300)	Left Handed	B	1 Pair	1 Pair	026 000B
Premium Black	12 (300)	Right Handed	B	1 Pair	1 Pair	026 001B

Right handed version illustrated

Estate Pattern Bands



FINISH	SIZE INS (MM)	EYE Ø INS (MM)	UNIT QTY	MIN. ORDER QTY	CODE
Galvanised	18 (450)	¾ (19)	1 Pair	5 Pairs	009 4501
Galvanised	20 (500)	¾ (19)	1 Pair	5 Pairs	009 5001
Galvanised	24 (600)	¾ (19)	1 Pair	2 Pairs	009 6001

Gate Hanger to Bolt

¾" AVAILABLE FOR FIELD GATES - SEE PAGE 111



FINISH	SUITABLE FOR	PIN Ø INS (MM)	UNIT QTY	MIN. ORDER QTY	OUTER CARTON QTY	CODE
Galvanised	3 - 8" posts	½ (12)	1 Pair	5 Pairs	30 Pairs	012 1121
Galvanised	3 - 8" posts	¾ (16)	1 Pair	5 Pairs	15 Pairs	012 1161

Hook on Plate

¾" AVAILABLE FOR FIELD GATES - SEE PAGE 110



FINISH	SIZE INS (MM)	PIN Ø INS (MM)	MIN. ORDER QTY	INNER CARTON QTY	OUTER CARTON QTY	CODE
Galvanised	2¾ (70)	½ (12)	1	10	50	086 0701
Galvanised	4 (100)	⅝ (16)	1	10	20	086 1001

Hook on Plate to suit Straight & Cranked Bands



FINISH	SUITABLE FOR	PIN Ø INS (MM)	UNIT QTY	MIN. ORDER QTY	CODE
Galvanised	8 - 16" bands	½ (13)	1 Pair	10 Pairs	010 0121
Galvanised	18 - 20" bands	⅝ (16)	1 Pair	5 Pairs	010 1161
Galvanised	24" bands	⅝ (16)	1 Pair	5 Pairs	010 2161
Galvanised	30 - 36" bands	¾ (19)	1 Pair	5 Pairs	010 3201
Galvanised	42 - 48" bands	¾ (19)	1 Pair	5 Pairs	010 4201
Epoxy Black	8 - 16" bands	½ (13)	1 Pair	5 Pairs	010 0123

Gate Hooks to Drive

FINISH	SIZE INS (MM)	PIN Ø INS (MM)	UNIT QTY	MIN. ORDER QTY	INNER CARTON QTY	OUTER CARTON QTY	CODE
Galvanised	5 (125)	½ (12)	1 Pair	1 Pair	10 Pairs	50 Pairs	013 5121
Galvanised	6 (150)	⅝ (16)	1 Pair	1 Pair	10 Pairs	10 Pairs	013 6161



¾" AVAILABLE FOR FIELD GATES - SEE PAGE 112

HAVE YOU SEEN OUR LATEST RANGES?

GATEMATE®
BY BIRKDALE

PAGE 013

FENCEMATE®
BY BIRKDALE

PAGE 139

DuraPost®
BY BIRKDALE

PAGE 141

SITEMATE®
BY BIRKDALE

PAGE 199

We're always open at www.birkdalesales.com

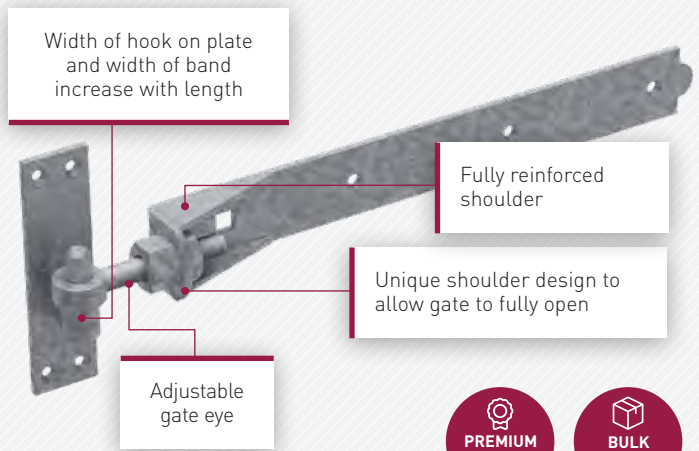
T 0345 450 9000 F 0345 450 9085 E mail@birkdalesales.com

Adjustable Band & Hook Hinges

ADJUSTABLE BAND & HOOKS ON PLATES

These heavy duty, robust hinges provide full adjustability; allowing the installer to align gates both during fitting and afterwards to compensate for gate drop over time. Ideal for use on high-use/heavy gates and external doors.

- Easy to fit and adjust
- Available in a range of sizes and finishes including stainless steel and premium black (epoxy black on galvanised steel) finishes
- Wide range of sizes
- Loading Application B - D; see page 76



Adjustable Band & Hook on Plate

These robust hinges provide full adjustability, allowing the installer to both align gates during fitting and also adjust after fitting to compensate for gate drop over time



FINISH	SIZE INS (MM)	PIN/EYE Ø INS (MM)	LOAD APPL.	UNIT QTY	MIN. ORDER QTY	CODE
Galvanised	14 (350)	5/8 (16)	B	1 Pair	5 Pairs	008 3501
Galvanised	18 (450)	5/8 (16)	C	1 Pair	5 Pairs	008 4501
Galvanised	24 (600)	3/4 (20)	C	1 Pair	2 Pairs	008 6001
Galvanised	30 (750)	3/4 (20)	D	1 Pair	1 Pair	008 7501
Galvanised	36 (900)	3/4 (20)	D	1 Pair	1 Pair	008 9001
Galvanised	48 (1200)	3/4 (20)	D	1 Pair	1 Pair	008 1201
Epoxy Black	18 (450)	5/8 (16)	C	1 Pair	5 Pairs	008 4503
Epoxy Black	24 (600)	3/4 (20)	C	1 Pair	2 Pairs	008 6003
Epoxy Black	30 (750)	3/4 (20)	D	1 Pair	1 Pair	008 7503
Epoxy Black	36 (900)	3/4 (20)	D	1 Pair	1 Pair	008 9003
Epoxy Black	48 (1200)	3/4 (20)	D	1 Pair	1 Pair	008 1203
Premium Black	18 (450)	5/8 (16)	C	1 Pair	1 Pair	008 450B
Premium Black	24 (600)	3/4 (20)	C	1 Pair	1 Pair	008 600B
Premium Black	30 (750)	3/4 (20)	D	1 Pair	1 Pair	008 750B
Premium Black	36 (900)	3/4 (20)	D	1 Pair	1 Pair	008 900B
Stainless Steel*	18 (450)	5/8 (16)	C	1 Pair	1 Pair	008 4506
Stainless Steel*	24 (600)	3/4 (20)	C	1 Pair	1 Pair	008 6006
Stainless Steel*	36 (900)	3/4 (20)	D	1 Pair	1 Pair	008 9006

1 pair includes: 2 x bands, 2 x adjustable gate eyes and 2 x hooks on plates
*Constructed from Grade 316 stainless steel

Hook on Plate to suit Adjustable Bands

FINISH	SUITABLE FOR	PIN Ø INS (MM)	UNIT QTY	MIN. ORDER QTY	OUTER CARTON QTY	CODE
Galvanised	14 - 18" adjustable bands	5/8 (16)	1 Pair	10 Pairs	40 Pairs	011 0161
Galvanised	24 - 30" adjustable bands	3/4 (19)	1 Pair	10 Pairs	40 Pairs	011 0191



Braced Adjustable Band & Hook on Plate

FINISH	SIZE INS (MM)	LOAD APPL.	UNIT QTY	MIN. ORDER QTY	OUTER CARTON QTY	CODE
Galvanised	14 (350)	B	1 Pair	1 Pair	5 Pairs	026 0101



Adjustable Bands & Adjustable Hooks on Plate

Features adjustable hook and adjustable gate eye

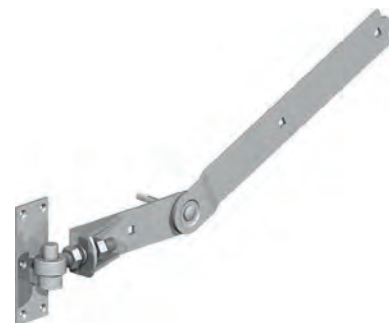
FINISH	SIZE INS (MM)	LOAD APPL.	UNIT QTY	MIN. ORDER QTY	OUTER CARTON QTY	CODE
Galvanised	30 (750)	D	1 Pair	1 Pair	2 Pairs	008 7511



Adjustable Curved Rail Hinges with Hooks on Plate

FINISH	SIZE INS (MM)	LOAD APPL.	UNIT QTY	MIN. ORDER QTY	CODE
Galvanised	24 (600)	C	1 Pair	2 Pairs	025 6081

Registered design



Heavy Reversible Hinges



Heavy Reversible Hinges

FINISH	SIZE INS (MM)	LOAD APPL.	UNIT QTY	MIN. ORDER QTY	OUTER CARTON QTY	CODE
Galvanised	12 (300)	B	1 Pair	5 Pairs	20 Pairs	017 3001
Galvanised	14 (350)	B	1 Pair	5 Pairs	15 Pairs	017 3501
Galvanised	16 (400)	B	1 Pair	5 Pairs	10 Pairs	017 4001
Galvanised	18 (450)	C	1 Pair	5 Pairs	10 Pairs	017 4501
Galvanised	20 (500)	C	1 Pair	5 Pairs	10 Pairs	017 5001
Galvanised	24 (600)	C	1 Pair	2 Pairs	6 Pairs	017 6001
Galvanised	30 (750)	D	1 Pair	2 Pairs	-	017 7501
Galvanised	36 (900)	D	1 Pair	2 Pairs	-	017 9001
Galvanised	42 (1050)	D	1 Pair	1 Pair	-	017 1051
Epoxy Black	12 (300)	B	1 Pair	5 Pairs	20 Pairs	017 3003
Epoxy Black	14 (350)	B	1 Pair	5 Pairs	15 Pairs	017 3503
Epoxy Black	16 (400)	B	1 Pair	5 Pairs	10 Pairs	017 4003
Epoxy Black	18 (450)	C	1 Pair	5 Pairs	10 Pairs	017 4503
Epoxy Black	24 (600)	C	1 Pair	2 Pairs	6 Pairs	017 6003
Epoxy Black	30 (750)	D	1 Pair	2 Pairs	-	017 7503
Epoxy Black	36 (900)	D	1 Pair	2 Pairs	-	017 9003
Premium Black	18 (450)	C	1 Pair	1 Pair	5 Pairs	017 450B
Premium Black	24 (600)	C	1 Pair	1 Pair	2 Pairs	017 600B
Premium Black	36 (900)	D	1 Pair	1 Pair	2 Pairs	017 900B

Cups Only For Heavy Reversible Hinges



FINISH	SIZE INS (MM)	TO SUIT BAND SIZE INS(MM)	UNIT QTY	MIN. ORDER QTY	CODE
Galvanised	5/8 (16)	18-24 (450-600)	1 Pair	5 Pairs	018 3161
Epoxy Black	3/4 (19)	30-36 (750-900)	1 Pair	5 Pairs	018 4193

One pair = 4 cups

“ **Highly recommend**

Highly recommend, great service and friendly staff. In the 5 years I've been dealing with them, they have never let me down in quality and service.



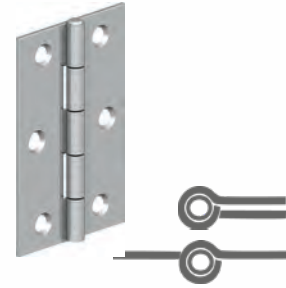
”



Butt Hinges

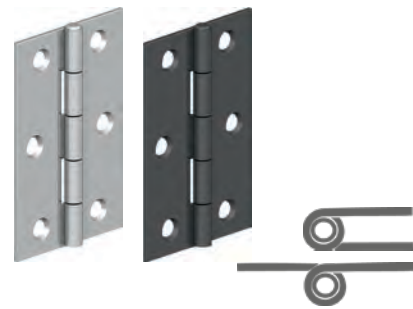
Butt Hinges 1838

FINISH	SIZE INS (MM)	LOAD APPL.	UNIT QTY	MIN. ORDER QTY	OUTER CARTON QTY	CODE
BZP	2 (50)	A	1 Pair	10 Pairs	250 Pairs	019 0502
BZP	3 (75)	A	1 Pair	10 Pairs	120 Pairs	019 0752
BZP	4 (100)	A	1 Pair	5 Pairs	60 Pairs	019 1002
BZP	6 (150)	A	1 Pair	5 Pairs	20 Pairs	019 1502



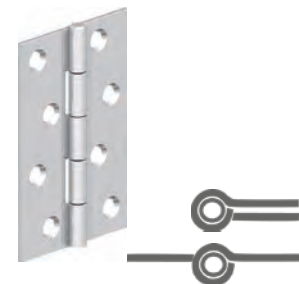
Butt Hinges 5050

FINISH	SIZE INS (MM)	LOAD APPL.	UNIT QTY	MIN. ORDER QTY	OUTER CARTON QTY	CODE
BZP	3 (75)	A	1 Pair	10 Pairs	120 Pairs	018 0752
BZP	4 (100)	A	1 Pair	10 Pairs	60 Pairs	018 1002
BZP	5 (125)	A	1 Pair	10 Pairs	40 Pairs	018 1252
BZP	6 (150)	A	1 Pair	10 Pairs	30 Pairs	018 1502
Self Colour	5 (125)	A	1 Pair	10 Pairs	40 Pairs	018 1254



Strong Butt Hinges 451

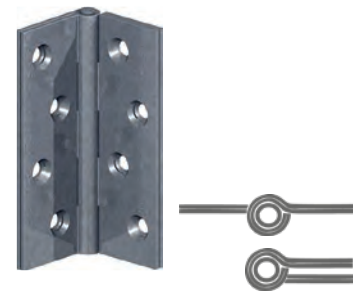
FINISH	SIZE INS (MM)	LOAD APPL.	UNIT QTY	MIN. ORDER QTY	OUTER CARTON QTY	CODE
BZP	4 (100)	C	1 Pair	5 Pairs	60 Pairs	020 1002



Double Pressed Butt Hinges 899

Heavy duty construction

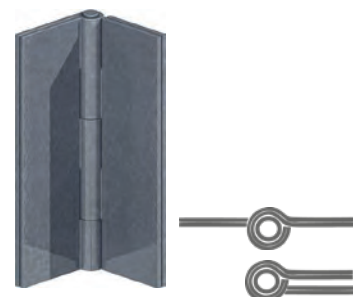
FINISH	SIZE INS (MM)	LOAD APPL.	UNIT QTY	MIN. ORDER QTY	OUTER CARTON QTY	CODE
BZP	4 (100)	A	1 Pair	5 Pairs	30 Pairs	023 1002



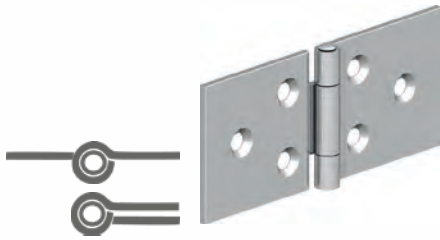
Double Pressed Butt Hinges without Holes 899T

For welding

FINISH	SIZE INS (MM)	LOAD APPL.	UNIT QTY	MIN. ORDER QTY	OUTER CARTON QTY	CODE
Self Colour	4 (100)	A	1 Pair	5 Pairs	30 Pairs	024 1004



Back Flap Hinges 400



FINISH	SIZE INS (MM)	LOAD APPL.	UNIT QTY	MIN. ORDER QTY	OUTER CARTON QTY	CODE
BZP	2 (50)	A	1 Pair	10 Pairs	120 Pairs	025 0502

Hurlinges 104



FINISH	SIZE INS (MM)	UNIT QTY	MIN. ORDER QTY	OUTER CARTON QTY	CODE
BZP	4 (100)	1 Pair	10 Pairs	80 Pairs	021 1002

Flush Hinges 105



FINISH	SIZE INS (MM)	UNIT QTY	MIN. ORDER QTY	OUTER CARTON QTY	CODE
BZP	3 (75)	1 Pair	25 Pairs	150 Pairs	022 0752

Grade 11 Stainless Steel Ball Bearing Butt Hinge



- For indoor use on timber doors
- High quality smooth ball bearing action
- Includes stainless steel screws

FINISH	SIZE INS (MM)	LOAD APPL.	UNIT QTY	MIN. ORDER QTY	CODE
Brushed Stainless Steel	3 x 2 (75 x 50)	A	1 Pair	1 Pair	027 0756B

Constructed from Grade 316 stainless steel

Grade 13 Stainless Steel Ball Bearing Butt Hinge



- Certified CE13 BSN1935
- Includes stainless steel screws
- Certifire approved product
- Quality and performance BSEN1935
- Fire safety BSEN1634 - for use on 30 minute and 1 hour fire doors

FINISH	SIZE INS (MM)	LOAD APPL.	UNIT QTY	MIN. ORDER QTY	INNER CARTON QTY	OUTER CARTON QTY	CODE
Brushed Stainless Steel	4 x 3 (102 x 76)	A	1 Pair	1 Pair	1 Pair	40 Pairs	027 1006B
Brushed Stainless Steel	4 x 3 (102 x 76)	A	1.5 Pairs	1 Pack	3 Packs	25 Packs	027 1016B
Polished Stainless Steel	4 x 3 (102 x 76)	A	1.5 Pairs	1 Pack	3 Packs	25 Packs	027 1016P

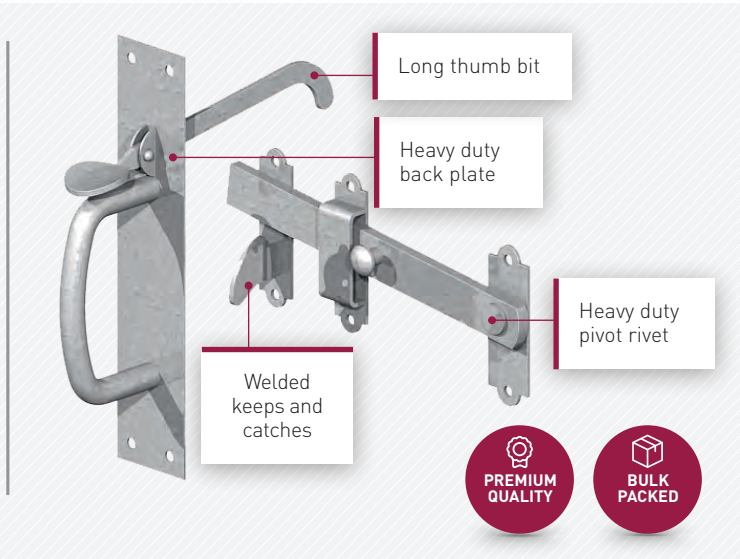
Constructed from Grade 316 stainless steel

LATCHES, CATCHES, HOOKS & BOLTS

Latches

SUFFOLK LATCHES

- Available in light and heavy duty options and a range of finishes and styles
- Heavy pattern provides excellent strength for heavy use applications
- Suitable for up to 3" gates



Light Suffolk Latch with Long Thumb Bit

FINISH	THUMB LENGTH INS (MM)	MIN. ORDER QTY	OUTER CARTON QTY	CODE
BZP	4½ (115)	5	25	123 0012
Epoxy Black	4½ (115)	5	25	123 0013



Heavy Suffolk Latch with Long Thumb Bit

Features 6mm thick latch bar and back plates for heavier applications

FINISH	THUMB LENGTH INS (MM)	MIN. ORDER QTY	OUTER CARTON QTY	CODE
Galvanised	4½ (115)	5	25	123 0021
BZP	4½ (115)	5	25	123 0022
Epoxy Black	4½ (115)	5	25	123 0023
Premium Black	4½ (115)	5	50	123 002B





Heavy Gothic Suffolk Latch with Long Thumb Bit



FINISH	THUMB LENGTH INS (MM)	MIN. ORDER QTY	OUTER CARTON QTY	CODE
Galvanised	4½ (115)	5	30	123 0031
BZP	4½ (115)	5	30	123 0032
Epoxy Black	4½ (115)	5	30	123 0033
Stainless Steel*	4½ (115)	1	10	123 0036

*Constructed from Grade 316 stainless steel

MARKET LEADING SUPPORT



**Next Day
Delivery Service**



**Exciting innovative
products**



**Increased Marketing
Support**



**Merchandising
Service**



**Industry Leading
Customer Service**



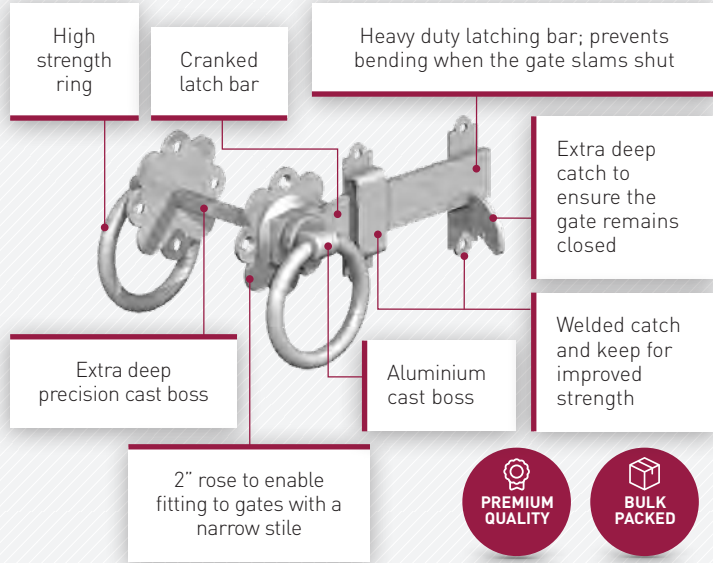
**An Environmental
Commitment**

We're always open at www.birkdalesales.com

T 0345 450 9000 **F** 0345 450 9085 **E** mail@birkdalesales.com

RING GATE LATCH

- Very popular within the range; featuring a choice of sizes and finishes
- Ornamental designs also available



Ring Gate Latch

FINISH	SIZE INS (MM)	MIN. ORDER QTY	OUTER CARTON QTY	CODE
Galvanised	4 (100)	5	40	124 1001
Galvanised	5 (125)	5	40	124 1251
Galvanised	6 (150)	5	40	124 1501
Galvanised	7 (175)	5	40	124 1751
BZP	5 (125)	5	40	124 1252
BZP	6 (150)	5	40	124 1502
Epoxy Black	5 (125)	5	40	124 1253
Epoxy Black	6 (150)	5	40	124 1503
Epoxy Black	7 (175)	5	40	124 1753
Premium Black	5 (125)	5	40	124 125B
Premium Black	6 (150)	5	40	124 150B
Stainless Steel*	6 (150)	1	10	124 1506

*Constructed from Grade 316 stainless steel

FOR 8" OR 10" RING GATE LATCHES SEE PAGE 135

BEST SELLER



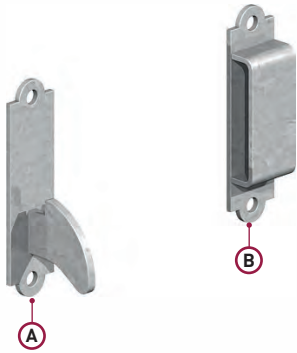
Twisted Ring Gate Latch

FINISH	SIZE INS (MM)	MIN. ORDER QTY	OUTER CARTON QTY	CODE
Galvanised	6 (150)	5	30	125 1501
Epoxy Black	6 (150)	5	40	125 1503



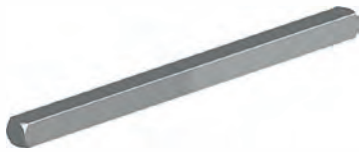
LOOKING FOR ORNAMENTAL IRONMONGERY? SEE PAGE 134

Catches/Keeps for Suffolk & Ring Latches



FINISH	DESC	MIN. ORDER QTY	INNER CARTON QTY	OUTER CARTON QTY	CODE
BZP	Light Catch (A)	1	10	500	127 0012
Epoxy Black	Light Catch (A)	1	10	500	127 0013
BZP	Light Keep (B)	1	10	1000	127 0022
Epoxy Black	Heavy Catch (A)	1	10	500	127 0033

Extended Spindle for Ring Gate Latch



FINISH	SIZE INS (MM)	MIN. ORDER QTY	INNER CARTON QTY	OUTER CARTON QTY	CODE
BZP	5 (125)	1	5	100	124 0062

Kenham Pattern Gate Latch



FINISH	SIZE INS (MM)	MIN. ORDER QTY	OUTER CARTON QTY	CODE
BZP	3 (75)	1	50	129 0752

Kick-Over Stable Latch



FINISH	SIZE INS (MM)	MIN. ORDER QTY	OUTER CARTON QTY	CODE
Galvanised	9½ (240)	5	20	131 2401

Narrow Pattern Kickover Stable Latch



FINISH	SIZE INS (MM)	MIN. ORDER QTY	CODE
Galvanised	9½ (240)	5	131 2451

Catches

Auto Gate Catch - Medium

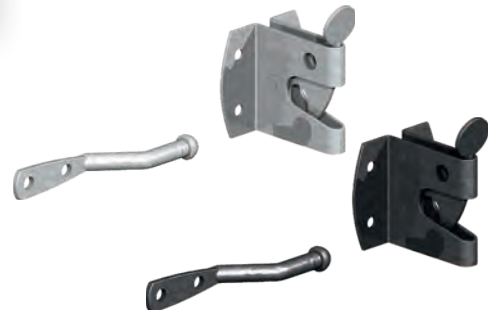
FINISH	MIN. ORDER QTY	OUTER CARTON QTY	CODE
Galvanised	10	50	120 0011
BZP	10	50	120 0012
Epoxy Black	10	50	120 0013



Auto Gate Catch - Large

Features thicker striker and body for heavier applications

FINISH	MIN. ORDER QTY	OUTER CARTON QTY	CODE
Galvanised	10	50	120 0021
Epoxy Black	10	50	120 0023



Easy-Close Auto Gate Catch

Includes brass pin for greater rust resistance

FINISH	SIZE INS (MM)	MIN. ORDER QTY	OUTER CARTON QTY	CODE
Galvanised	2 (50)	10	100	120 1011
BZP	2 (50)	10	100	120 1012
Epoxy Black	2 (50)	10	100	120 1013



Gate Return Springs

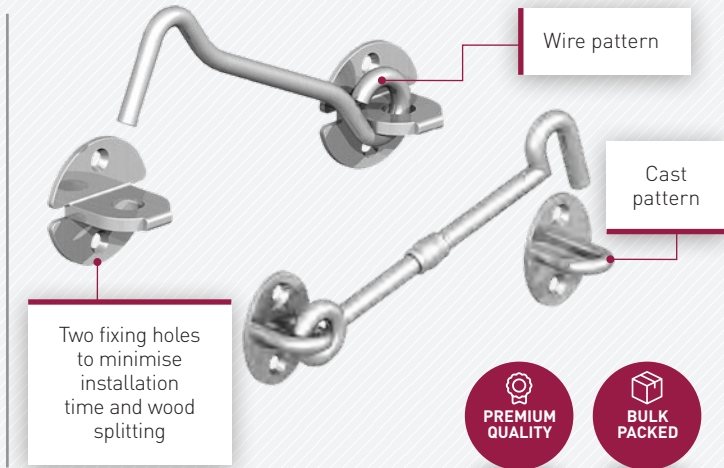
FINISH	SIZE INS (MM)	MIN. ORDER QTY	OUTER CARTON QTY	CODE
BZP	8 (200)	10	40	132 2002
BZP	10 (250)	10	40	132 2502
Epoxy Black	8 (200)	10	40	132 2003
Epoxy Black	10 (250)	10	40	132 2503



Hooks

CABIN HOOKS

- Range of patterns and finishes available including stainless steel and premium black (epoxy black on galvanised steel)
- Available up to 600mm (24") long



Wire Pattern Cabin Hooks



FINISH	SIZE INS (MM)	MIN. ORDER QTY	OUTER CARTON QTY	CODE
Galvanised	4 (100)	20	100	135 1001
Galvanised	6 (150)	20	100	135 1501
Galvanised	8 (200)	20	100	135 2001
Galvanised	10 (250)	10	-	135 2501
Galvanised	12 (300)	10	100	135 3001
Galvanised	24 (600) *	10	-	135 6001
Epoxy Black	4 (100)	20	100	135 1003
Epoxy Black	6 (150)	10	100	135 1503
Epoxy Black	8 (200)	20	100	135 2003
Epoxy Black	10 (250)	10	-	135 2503
Epoxy Black	12 (300)	10	100	135 3003
Epoxy Black	24 (600) *	10	-	135 6003

*Heavy duty

Cast Pattern Cabin Hooks



FINISH	SIZE INS (MM)	MIN. ORDER QTY	OUTER CARTON QTY	CODE
Galvanised	4 (100)	10	100	136 1001
Galvanised	6 (150)	10	100	136 1501
Galvanised	8 (200)	10	100	136 2001
Galvanised	10 (250)	10	100	136 2501
Epoxy Black	4 (100)	10	100	136 1003
Epoxy Black	6 (150)	10	100	136 1503
Epoxy Black	8 (200)	10	100	136 2003
Epoxy Black	10 (250)	10	100	136 2503
Premium Black	8 (200)	1	10	136 200B
Stainless Steel*	4 (100)	1	10	136 1006

*Constructed from Grade 316 stainless steel

Turn Buttons

FINISH	SIZE INS (MM)	MIN. ORDER QTY	OUTER CARTON QTY	CODE
BZP	2 (50)	100	1000	133 0502
BZP	2½ (65)	50	1000	133 0652
Epoxy Black	2 (50)	100	1000	133 0503



Bolts

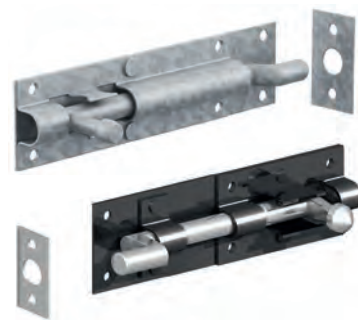
Tower Bolt

FINISH	SIZE INS (MM)	MIN. ORDER QTY	OUTER CARTON QTY	CODE
Galvanised	3 (75)	10	100	100 0751
Galvanised	4 (100)	10	100	100 1001
Galvanised	6 (150)	10	50	100 1501
Galvanised	8 (200)	10	40	100 2001
Galvanised	10 (250)	10	40	100 2501
BZP	3 (75)	10	100	100 0752
BZP	4 (100)	10	100	100 1002
BZP	6 (150)	10	50	100 1502
BZP	8 (200)	10	50	100 2002
Epoxy Black	3 (75)	10	100	100 0753
Epoxy Black	4 (100)	10	100	100 1003
Epoxy Black	6 (150)	10	50	100 1503
Epoxy Black	8 (200)	10	50	100 2003
Epoxy Black	10 (250)	10	50	100 2503



Necked Tower Bolt

FINISH	SIZE INS (MM)	MIN. ORDER QTY	OUTER CARTON QTY	CODE
Galvanised	6 (150)	10	50	101 1501
Epoxy Black	6 (150)	10	50	101 1503



Oval Padbolt

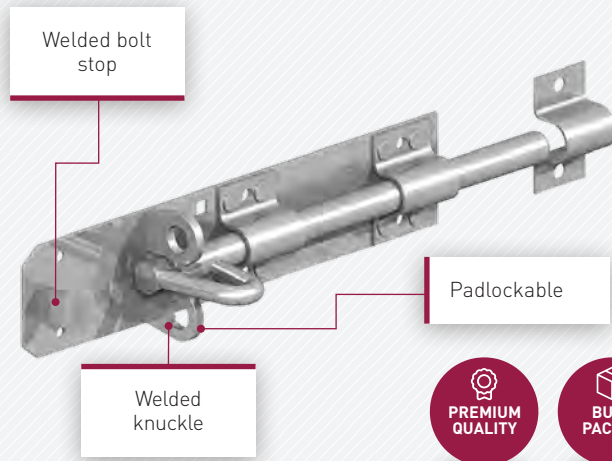
FINISH	SIZE INS (MM)	MIN. ORDER QTY	OUTER CARTON QTY	CODE
Galvanised	4 (100)	10	50	102 1001
BZP	4 (100)	10	50	102 1002
Epoxy Black	4 (100)	10	50	102 1003



BRENTON PADBOLTS

These brenton padbolts are ideal for use on gates and sheds alike.

- 1/2" or 5/8" diameter shoots
- Available in a range of finishes; including stainless steel and premium black
- All fittings are welded through to the back plate instead of being punched to provide more security



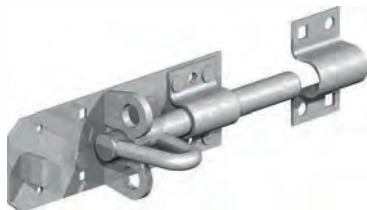
Brenton Padbolt with 1/2" Shoot



FINISH	SIZE INS (MM)	MIN. ORDER QTY	OUTER CARTON QTY	CODE
Galvanised	4 (100)	5	50	103 1001
Galvanised	6 (150)	5	50	103 1501
Galvanised	8 (200)	5	50	103 2001
Galvanised	10 (250)	5	50	103 2501
BZP	4 (100)	5	50	103 1002
BZP	6 (150)	5	50	103 1502
BZP	8 (200)	5	50	103 2002
Epoxy Black	4 (100)	5	50	103 1003
Epoxy Black	6 (150)	5	50	103 1503
Epoxy Black	8 (200)	5	50	103 2003
Premium Black	6 (150)	5	50	103 150B
Premium Black	8 (200)	5	50	103 200B
Stainless Steel*	6 (150)	1	30	103 1506

*Constructed from Grade 316 stainless steel

Brenton Padbolt with 5/8" Shoot

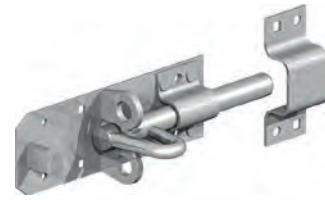


FINISH	SIZE INS (MM)	MIN. ORDER QTY	OUTER CARTON QTY	CODE
Galvanised	6 (150)	5	30	104 1501
Galvanised	8 (200)	5	30	104 2001
Galvanised	10 (250)	5	20	104 2501
Galvanised	12 (300)	5	20	104 3001
BZP	6 (150)	5	30	104 1502
BZP	8 (200)	5	30	104 2002
Stainless Steel*	8 (200)	1	20	104 2006

*Constructed from Grade 316 stainless steel

Brenton Padbolt with Elongated Keep & 5/8" Shoot

FINISH	SIZE INS (MM)	MIN. ORDER QTY	OUTER CARTON QTY	CODE
Galvanised	6 (150)	5	30	104 1511
Galvanised	8 (200)	5	30	104 2011
Premium Black	8 (200)	5	30	104 201B



Keeps for Brenton Padbolts

FINISH	SIZE INS (MM)	MIN. ORDER QTY	OUTER CARTON QTY	CODE
Galvanised	1/2 (12)	10	200	105 0121
Galvanised	5/8 (16)	10	200	105 0161



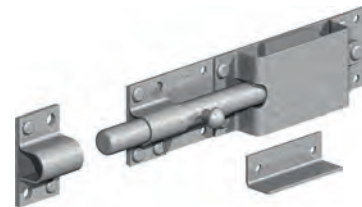
Elongated Keep for Brenton Padbolts

FINISH	SIZE INS (MM)	MIN. ORDER QTY	OUTER CARTON QTY	CODE
Galvanised	1/2 (12)	10	200	106 0121
Galvanised	5/8 (16)	10	200	106 0161
BZP	5/8 (16)	10	200	106 0162



Autolock Animal Bolt

FINISH	SIZE INS (MM)	MIN. ORDER QTY	OUTER CARTON QTY	CODE
Galvanised	9 (230)	5	30	108 2301



Heavy Cross Pattern Door Bolt

FINISH	SIZE INS (MM)	MIN. ORDER QTY	OUTER CARTON QTY	CODE
Galvanised	12 (300)	10	10	107 3001
Galvanised	15 (375)	10	10	107 3751
Galvanised	18 (450)	10	10	107 4501
Galvanised	24 (600)	5	5	107 6001

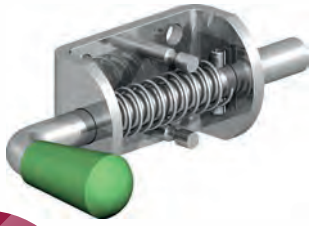


Spring-Loaded Bolt

FINISH	LENGTH INS (MM)	SHOOT SIZE INS (MM)	MIN. ORDER QTY	OUTER CARTON QTY	CODE
BZP	4 1/2 (115)	1/2 (12)	10	40	110 0122
BZP	4 (105)	5/8 (16)	5	20	110 0162
BZP	2 3/4 (70)	3/8 (9.5)	10	100	110 0952



Spring-Loaded Bolt with Short Body



FEATURES
GLOW IN
THE DARK
HANDLE

FINISH	LENGTH INS (MM)	SHOOT SIZE INS (MM)	MIN. ORDER QTY	OUTER CARTON QTY	CODE
BZP	3 (75)	½ (12)	10	50	110 3122
BZP	2½ (60)	¾ (9.5)	10	100	110 3952

Spring-Loaded Bolt with Long Body



FINISH	LENGTH INS (MM)	SHOOT SIZE INS (MM)	MIN. ORDER QTY	OUTER CARTON QTY	CODE
Galvanised	18 (450)	½ (12)	10	20	110 4501

Spring-Loaded Animal Bolt



FINISH	LENGTH INS (MM)	SHOOT SIZE INS (MM)	MIN. ORDER QTY	OUTER CARTON QTY	CODE
BZP	4½ (115)	½ (12)	10	40	109 0122

Garage Door Holder



DESC	SUITABLE FOR	FINISH	SIZE INS (MM)	MIN. ORDER QTY	OUTER CARTON QTY	CODE
1012	Wide lintels/ frames*	Epoxy Black	15 (375)	1 Pair	2 Pairs	122 3753
1010	Wide lintels/ frames*	Epoxy Black	24 (600)	1 Pair	2 Pairs	122 6003
1011	Narrow lintels/ frames**	Epoxy Black	24 (600)	1 Pair	2 Pairs	122 6013

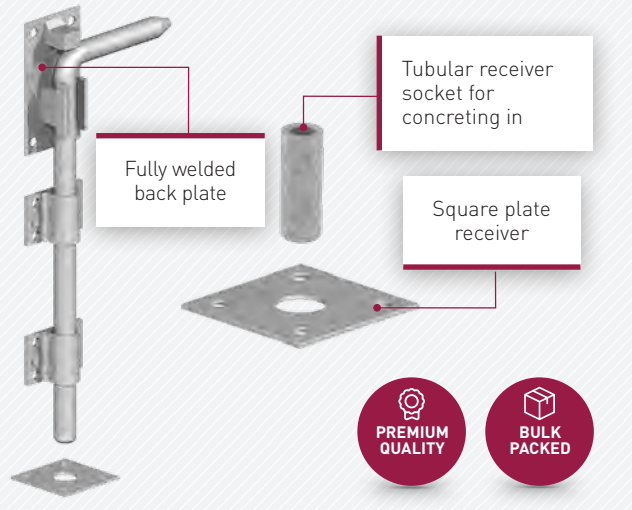
*Fixes to face of lintel/frame

**Fixes to underside of lintel/frame

GARAGE DOOR BOLT

Also known as 'drop bolts', our Garage Door Bolts are popular in the range and are suitable for a variety of applications.

- Available in galvanised, epoxy black, premium black and stainless steel
- Comes with Square Plate and Tubular Receiver Sockets for your choice of installation



Garage Door Bolt with 5/8" Shoot

FINISH	SIZE INS (MM)	MIN. ORDER QTY	OUTER CARTON QTY	CODE
Galvanised	12 (300)	1	20	116 3001
Galvanised	18 (450)	1	20	116 4501
Galvanised	24 (600)	1	10	116 6001
Epoxy Black	12 (300)	1	20	116 3003
Epoxy Black	18 (450)	1	20	116 4503
Epoxy Black	24 (600)	1	10	116 6003
Premium Black	18 (450)	1	20	116 450B
Premium Black	24 (600)	1	20	116 600B

Includes: square plate and tubular receiver sockets



Surface Door Bolt with 5/8" Shoot

FINISH	SIZE INS (MM)	MIN. ORDER QTY	OUTER CARTON QTY	CODE
Galvanised	18 (450)	1	5	115 4501
Epoxy Black	18 (450)	1	5	115 4503

Includes square plate receiver



Heavy Locking Garage Door Bolt

Features integrated hasp and staple for use with padlock

FINISH	SIZE INS (MM)	SHOOT SIZE INS (MM)	MIN. ORDER QTY	OUTER CARTON QTY	CODE
Galvanised	18 (450)	5/8 (16)	1	10	117 4501
Galvanised	24 (600)	3/4 (19)	1	10	117 6001
Stainless Steel*	18 (450)	5/8 (16)	1	10	117 4506

Includes square plate receiver
*Constructed from 316 grade stainless steel



Monkey Tail Bolt with 5/8" Square Shoot



FINISH	SIZE INS (MM)	MIN. ORDER QTY	OUTER CARTON QTY	CODE
Galvanised	12 (300)	5	20	113 3001
Galvanised	18 (450)	5	20	113 4501
Galvanised	24 (600)	5	-	113 6001
Epoxy Black	12 (300)	5	20	113 3003
Epoxy Black	18 (450)	5	20	113 4503

Chain Bolt with 5/8" Square Shoot



FINISH	SIZE INS (MM)	MIN. ORDER QTY	OUTER CARTON QTY	CODE
BZP	8 (200)	5	20	111 2002

Bow Handle Bolts with 5/8" Square Shoot



FINISH	SIZE INS (MM)	MIN. ORDER QTY	OUTER CARTON QTY	CODE
Galvanised	12 (300)	5	20	114 3001
Galvanised	18 (450)	5	-	114 4501
Galvanised	24 (600)	5	-	114 6001
Epoxy Black	12 (300)	5	20	114 3003
Epoxy Black	18 (450)	5	-	114 4503
Epoxy Black	24 (600)	5	-	114 6003

Includes square plate receiver

Receiver Socket



DESC	FINISH	SUITABLE FOR	MIN. ORDER QTY	INNER CARTON QTY	CODE
Easy-Clean (A)	Galvanised	16mm shoots	1	10	119 1161
Concrete-In (B)	Galvanised	19mm shoots	1	5	082 1701

LOCKING BARS, HASP & STAPLES

Locking Bars Bolt-On

Includes brass pins for added corrosion resistance

FINISH	SIZE INS (MM)	MIN. ORDER QTY	OUTER CARTON QTY	CODE
Galvanised	8 (200)	5	20	142 2001
Galvanised	10 (250)	5	20	142 2501
Epoxy Black	8 (200)	5	20	142 2003
Epoxy Black	10 (250)	5	20	142 2503



Locking Bars to Swivel

FINISH	SIZE INS (MM)	MIN. ORDER QTY	OUTER CARTON QTY	CODE
Galvanised	8 (200)	5	20	143 2001
Galvanised	12 (300)	5	20	143 3001
Epoxy Black	8 (200)	5	20	143 2003



Safety Pattern Hasp & Staple

FINISH	SIZE INS (MM)	MIN. ORDER QTY	OUTER CARTON QTY	CODE
BZP	3 (75)	10	100	137 0752
BZP	4½ (113)	10	100	137 1132
BZP	6 (150)	10	60	137 1502
Epoxy Black	4½ (113)	10	100	137 1133
Epoxy Black	6 (150)	10	60	137 1503



Heavy Safety Pattern Hasp & Staple

FINISH	SIZE INS (MM)	MIN. ORDER QTY	OUTER CARTON QTY	CODE
Galvanised	7 (180)	5	20	138 1801
Epoxy Black	7 (180)	5	20	138 1803



Wire Pattern Hasp & Staple



FINISH	SIZE INS (MM)	MIN. ORDER QTY	OUTER CARTON QTY	CODE
BZP	4 (100)	10	100	141 1002
Epoxy Black	4 (100)	10	100	141 1003

Heavy Vertical Pattern Hasp & Staple

Includes brass pins for added corrosion resistance



FINISH	SIZE INS (MM)	MIN. ORDER QTY	OUTER CARTON QTY	CODE
Galvanised	6 (150)	5	20	140 1501
Epoxy Black	6 (150)	5	20	140 1503

Staple on Plate



FINISH	GAUGE	MIN. ORDER QTY	INNER CARTON QTY	OUTER CARTON QTY	CODE
BZP	Light	1	10	100	145 0012
Galvanised	Medium	1	10	100	145 0031
Galvanised	Heavy	1	10	100	145 0051
BZP	Heavy	1	10	100	145 0042

LOCKS & SECURITY

Security Chains

Square Link Chain in Plastic Sleevings



FINISH	LENGTH (MM)	LINK THICKNESS (MM)	MIN. ORDER QTY	CODE
BZP	1200	10	1	702 1202
BZP	1500	10	1	702 1502

Case hardened with plastic sleeve

Locks & Accessories

Rimsashlock - 2 Lever

FINISH	SIZE INS (MM)	MIN. ORDER QTY	OUTER CARTON QTY	CODE
Epoxy Black	5 x 3 (125 x 75)	1	10	149 0300
Epoxy Black	6 x 4 (150 x 100)	1	10	149 0030



Rimdeadlock - 2 Lever

FINISH	SIZE INS (MM)	MIN. ORDER QTY	OUTER CARTON QTY	CODE
Grey	4 x 3 (100 x 75)	1	10	149 0040

Max timber thickness 50mm



Mortice Sashlock - 3 Lever

FINISH	SIZE INS (MM)	MIN. ORDER QTY	OUTER CARTON QTY	CODE
Chrome	2½ (65)	1	10	149 0020



Presslock

FINISH	SIZE INS (MM)	MIN. ORDER QTY	OUTER CARTON QTY	CODE
Epoxy Black	3 (75)	1	20	149 0013



Cast Ball Door Knob



FINISH	SIZE INS (MM)	MIN. ORDER QTY	OUTER CARTON QTY	CODE
Dull Black	1 3/4 (45)	1	5	175 0453

Cast Oval Door Knob



FINISH	SIZE INS (MM)	MIN. ORDER QTY	OUTER CARTON QTY	CODE
Dull Black	2 (50)	1	5	175 0603

Rimsashlock Door Knob



FINISH	SIZE INS (MM)	MIN. ORDER QTY	INNER CARTON QTY	OUTER CARTON QTY	CODE
Black Plastic	2 (50)	1	5	50	149 0050

Cast Pull Handle



FINISH	SIZE INS (MM)	MIN. ORDER QTY	OUTER CARTON QTY	CODE
Galvanised	6 (150)	10	100	146 1501
Epoxy Black	6 (150)	10	100	146 1503

Pressed Steel Pull Handle



FINISH	SIZE INS (MM)	MIN. ORDER QTY	OUTER CARTON QTY	CODE
BZP	7 (175)	10	100	147 1752
Epoxy Black	7 (175)	10	100	147 1753

OTHER GATE ACCESSORIES

Gate Closers, Gate Stops & Casement Stays

Gas Gate Closer

DESC	FINISH	SIZE INS (MM)	MAX LOAD (KG)	MIN. ORDER QTY	CODE
Surface Fix	Black/Chrome	30 (750)	80	1	134 7503
Weld On	Black/Chrome	30 (750)	80	1	134 7513



Small Hydraulic Gate Closer

FINISH	SIZE INS (MM)	MAX LOAD (KG)	MIN. ORDER QTY	OUTER CARTON QTY	CODE
Black	12 (300)	50	1	12	134 3003

Suitable for maximum gate width of 1000mm



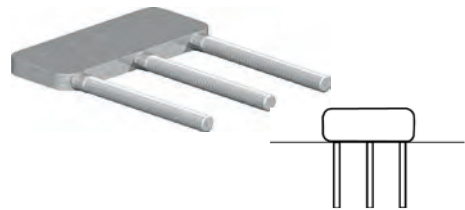
Casement Stay

FINISH	SIZE INS (MM)	MIN. ORDER QTY	OUTER CARTON QTY	CODE
Aluminium	10 (250)	1	10	149 0070



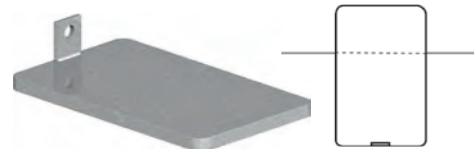
Gate Stop with 3 Legs to Concrete In

FINISH	SIZE INS (MM)	MIN. ORDER QTY	INNER CARTON QTY	OUTER CARTON QTY	CODE
Galvanised	5 (120) wide	1	5	20	082 1201



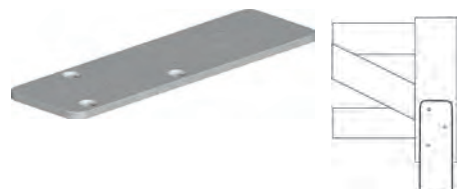
Flat Plate Concrete in Gate Stop

FINISH	SIZE INS (MM)	MIN. ORDER QTY	INNER CARTON QTY	OUTER CARTON QTY	CODE
Galvanised	5 x 8 (120 x 200)	1	5	10	082 2001



Gate Mounted Flat Plate Stop

FINISH	SIZE INS (MM)	MIN. ORDER QTY	INNER CARTON QTY	OUTER CARTON QTY	CODE
Galvanised	2½ x 9 (65 x 220)	1	10	30	089 2201



Shelf Brackets



London Shelf Bracket

FINISH	SIZE INS (MM)	MIN. ORDER QTY	OUTER CARTON QTY	CODE
Grey	4 x 3 (100 x 75)	20	240	182 1008
Grey	5 x 4 (125 x 100)	20	160	182 1258
Grey	6 x 5 (150 x 125)	20	240	182 1508
Grey	8 x 6 (200 x 150)	20	240	182 2008
Grey	9 x 7 (225 x 175)	20	200	182 2258
Grey	10 x 8 (250 x 200)	20	140	182 2508
Grey	12 x 10 (300 x 250)	20	80	182 3008
Grey	14 x 12 (350 x 300)	20	60	182 3508
White	4 x 3 (100 x 75)	20	240	182 1009
White	5 x 4 (125 x 100)	20	160	182 1259
White	6 x 5 (150 x 125)	20	240	182 1509
White	8 x 6 (200 x 150)	20	240	182 2009
White	9 x 7 (225 x 175)	20	200	182 2259
White	10 x 8 (250 x 200)	20	140	182 2509
White	12 x 10 (300 x 250)	20	80	182 3009
White	14 x 12 (350 x 300)	20	60	182 3509

Fluted Angle Bracket



FINISH	SIZE INS (MM)	MIN. ORDER QTY	INNER CARTON QTY	OUTER CARTON QTY	CODE
Galvanised	4 x 3 (100 x 75)	1	10	100	183 1001
Galvanised	5 x 4 (125 x 100)	1	10	100	183 1251
Galvanised	6 x 5 (150 x 125)	1	10	100	183 1501
Galvanised	8 x 6 (200 x 150)	1	10	100	183 2001
Galvanised	10 x 8 (250 x 200)	1	10	100	183 2501
Galvanised	12 x 10 (300 x 250)	1	10	50	183 3001

Handrail Brackets

Handrail Bracket



FINISH	DISTANCE FROM WALL INS (MM)	MIN. ORDER QTY	OUTER CARTON QTY	CODE
BZP	2½ (65)	10	100	180 0652
BZP	3 (75)	10	100	180 0752
White	2½ (65)	10	100	180 0657
White	3 (75)	10	100	180 0757

Heavy Duty Handrail Bracket

Features welded back plate



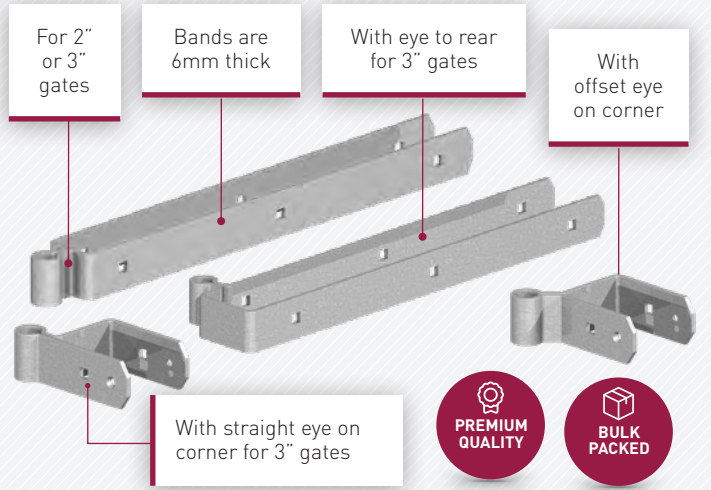
FINISH	DISTANCE FROM WALL INS (MM)	MIN. ORDER QTY	OUTER CARTON QTY	CODE
BZP	2½ (65)	10	100	181 0652

FIELD GATE FITTINGS

Field Gate Hinges

FIELD GATE DOUBLE STRAP BANDS

- Available for 2" and 3" gates
- Wide range of bands for multiple applications
- Huge range of hooks also available - see page 110-111
- All galvanised bands come with galvanised fixings



Field Gate Double Strap Band for 3" Gates

FINISH	SIZE INS (MM)	SUITABLE FOR	MIN. ORDER QTY	OUTER CARTON QTY	CODE
Galvanised	3½ (88)	19mm pin	1	20	053 0881
Galvanised	5 (125)	19mm pin	1	20	053 1251
Galvanised	12 (300)	19mm pin	1	8	053 3001
Galvanised	18 (450)	19mm pin	1	8	053 4501
Galvanised	24 (600)	19mm pin	1	8	053 6001
Galvanised	30 (750)	19mm pin	1	8	053 7501
Galvanised	36 (900)	19mm pin	1	6	053 9001
Epoxy Black	5 (125)	19mm pin	1	20	053 1253
Epoxy Black	12 (300)	19mm pin	1	8	053 3003
Epoxy Black	18 (450)	19mm pin	1	8	053 4503
Epoxy Black	24 (600)	19mm pin	1	8	053 6003
Premium Black	24 (600)	19mm pin	1	8	053 600B

Fixings included

FOR FIELD GATE HINGE SETS, SEE PAGES 22-26



Field Gate Double Strap Band for 2" Gates

FINISH	SIZE INS (MM)	EYE Ø INS (MM)	MIN. ORDER QTY	OUTER CARTON QTY	CODE
Galvanised	3½ (88)	¾ (19)	1	20	087 0881
Galvanised	18 (450)	¾ (19)	1	8	087 4501
Galvanised	24 (600)	¾ (19)	1	8	087 6001

Fixings included



Field Gate Double Strap Bands with Eye to Rear for 3" Gates



**FOR
FIELDGATE
HINGE SETS,
SEE PAGES
22-26**

FINISH	SIZE INS (MM)	EYE Ø INS (MM)	MIN. ORDER QTY	OUTER CARTON QTY	CODE
Galvanised	5 (125)	¾ (19)	1	20	053 1201
Galvanised	12 (300)	¾ (19)	1	8	053 2601
Galvanised	18 (450)	¾ (19)	1	8	053 3601
Galvanised	24 (600)	¾ (19)	1	8	053 5601

Fixings included

Field Gate Double Strap Band with 1" Eye for 3" Gates



FINISH	SIZE INS (MM)	EYE Ø INS (MM)	MIN. ORDER QTY	OUTER CARTON QTY	CODE
Galvanised	24 (600)	1 (25)	1	8	053 6011

Fixings included

Field Gate Double Strap Band with Straight Eye on Corner for 3" Gates



FINISH	SIZE INS (MM)	EYE Ø INS (MM)	MIN. ORDER QTY	OUTER CARTON QTY	CODE
Galvanised	5 (125)	¾ (19)	1	20	054 1251
Galvanised	24 (600)	¾ (19)	1	8	054 6001

Fixings included

Field Gate Double Strap Band with 1" Straight Eye on Corner for 3" Gates



FINISH	SIZE INS (MM)	EYE Ø INS (MM)	MIN. ORDER QTY	OUTER CARTON QTY	CODE
Galvanised	24 (600)	1 (25)	1	8	054 6011

Fixings included

Field Gate Double Strap Band with Offset Eye on Corner for 3" Gates



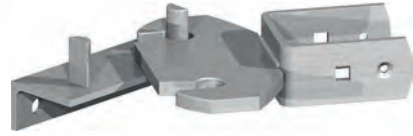
FINISH	SIZE INS (MM)	EYE Ø INS (MM)	MIN. ORDER QTY	OUTER CARTON QTY	CODE
Galvanised	5 (125)	¾ (19)	1	20	055 1251
Galvanised	18 (450)	¾ (19)	1	8	055 4501
Galvanised	24 (600)	¾ (19)	1	8	055 6001

Fixings included

Field Gate Rising Hinge & Rocker Plate for 3" Gates

FINISH	SIZE INS (MM)	PIN/EYE Ø INS (MM)	MIN. ORDER QTY	OUTER CARTON QTY	CODE
Galvanised	5 (125)	¾ (19)	1	5	056 1251

Fixings included



Field Gate Slotted Bottom Band for 3" Gates

FINISH	SIZE INS (MM)	PIN/EYE Ø INS (MM)	MIN. ORDER QTY	OUTER CARTON QTY	CODE
Galvanised	5 (125)	¾ (19)	1	20	057 1251

Fixings included



Field Gate Adjustable Bottom Fittings for 3" Gates

FINISH	SUITABLE FOR	PIN/EYE Ø INS (MM)	MIN. ORDER QTY	OUTER CARTON QTY	CODE
Galvanised	3" gates	¾ (19)	1	10	058 0751
Epoxy Black	3" gates	¾ (19)	1	10	058 0753



Field Gate Heel Clip Only

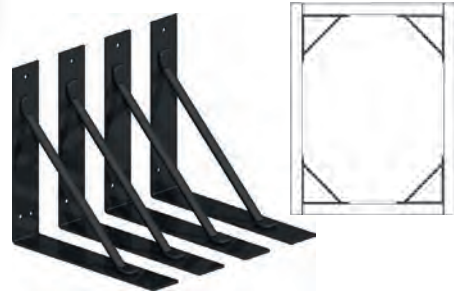
FINISH	SUITABLE FOR	EYE Ø INS (MM)	MIN. ORDER QTY	OUTER CARTON QTY	CODE
Galvanised	3" gates	¾ (19)	1	50	059 0751



Timber Gate Building Kit

This kit assists fast construction of a gate frame for timber clad gates

FINISH	SIZE INS (MM)	MIN. ORDER QTY	OUTER CARTON QTY	CODE
Epoxy Black	8 (200)	1 Pack (4 Pieces)	10 Packs	705 0003



Field Gate Hooks & Eyes

Field Gate Hook on Plate



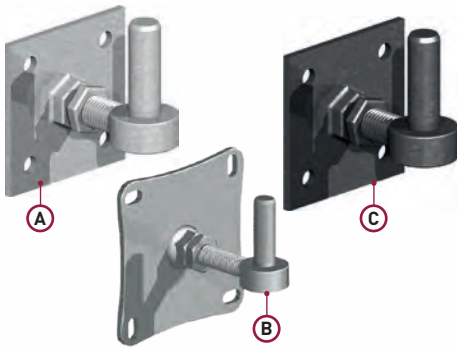
FINISH	SIZE INS (MM)	PIN Ø INS (MM)	MIN. ORDER QTY	INNER CARTON QTY	OUTER CARTON QTY	CODE
Galvanised	4 x 4 (100 x 100)	¾ (19)	1	10	20	042 4191
Galvanised	4 x 4 (100 x 100)	⅞ (22)	1	10	20	042 4221
Epoxy Black	4 x 4 (100 x 100)	¾ (19)	1	10	20	042 4193
Premium Black	4 x 4 (100 x 100)	¾ (19)	1	-	25	042 419B

Field Gate Hook on Narrow Plate



FINISH	PIN/EYE Ø INS (MM)	PLATE WIDTH (MM)	MIN. ORDER QTY	OUTER CARTON QTY	CODE
Galvanised	¾ (19)	50	1	25	045 0191
Galvanised	1 (25)	50	1	10	045 0251

Field Gate Adjustable Hook on Plate



FINISH	SIZE INS (MM)	PIN Ø INS (MM)	MIN. ORDER QTY	OUTER CARTON QTY	CODE
Galvanised (A)	4 x 4 (100 x 100)	¾ (19)	1	20	042 5191
Galvanised (B)	6 x 6 (150 x 150)	¾ (19)	1	12	042 5101
Epoxy Black (C)	4 x 4 (100 x 100)	¾ (19)	1	20	042 5193

Field Gate Adjustable Hook on Narrow Plate

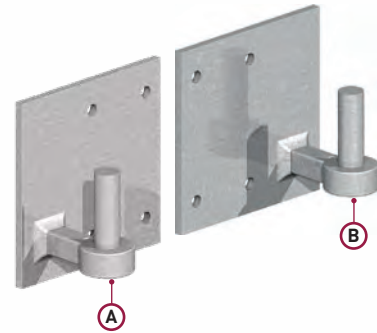


FINISH	PIN/EYE Ø INS (MM)	PLATE WIDTH (MM)	MIN. ORDER QTY	OUTER CARTON QTY	CODE
Galvanised	⅝ (16)	57	1	20	042 6161
Galvanised	¾ (19)	57	1	20	042 6191

Field Gate Hook on Heavy Duty Plate

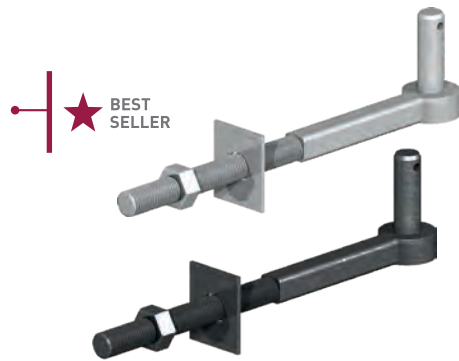
DESC	FINISH	SIZE INS (MM)*	PIN/EYE Ø INS (MM)	MIN. ORDER QTY	OUTER CARTON QTY	CODE
Left Hand (A)	Galvanised	4 x 6 (100 x 150)	¾ (19)	1	5	088 0191
Left Hand (A)	Galvanised	6 x 6 (150 x 150)	¾ (19)	1	5	088 1191
Right Hand (B)	Galvanised	4 x 6 (100 x 150)	¾ (19)	1	5	088 3191

*Height x width



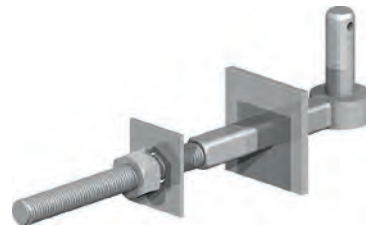
Field Gate Hook to Bolt

FINISH	LENGTH INS (MM)	SUITABLE FOR	PIN Ø INS (MM)	MIN. ORDER QTY	INNER CARTON QTY	OUTER CARTON QTY	CODE
Galvanised	11 (275)	4 - 8" posts	¾ (19)	1	10	20	040 2751
Galvanised	13 (325)	4 - 10" posts	¾ (19)	1	10	20	040 3251
Galvanised	13 (325)	4 - 10" posts,	7/8 (22)	1	10	20	040 3221
Epoxy Black	13 (325)	4 - 10" posts	¾ (19)	1	10	20	040 3253



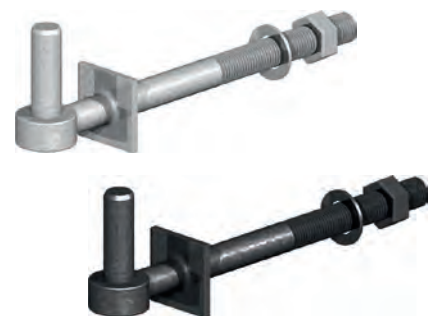
Field Gate Hook to Bolt with Welded Washer

FINISH	SIZE INS (MM)	SUITABLE FOR	PIN/EYE Ø INS (MM)	MIN. ORDER QTY	INNER CARTON QTY	OUTER CARTON QTY	CODE
Galvanised	13 (325)	4 - 10" posts	¾ (19)	1	10	20	040 3261

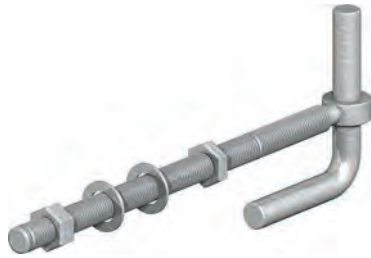


Field Gate Hanger to Bolt

FINISH	LENGTH INS (MM)	SUITABLE FOR	PIN Ø INS (MM)	MIN. ORDER QTY	OUTER CARTON QTY	CODE
Galvanised	10 (250)	3 - 5" posts	¾ (19)	1	20	043 2501
Galvanised	12 (300)	4 - 7" posts	¾ (19)	1	20	043 3001
Galvanised	14 (350)	7 - 9" posts	¾ (19)	1	20	043 3501
Galvanised	16 (400)	7 - 11" posts	¾ (19)	1	10	043 4001
Galvanised	18 (450)	10 - 14" posts	¾ (19)	1	10	043 4501
Epoxy Black	12 (300)	4 - 7" posts	¾ (19)	1	20	043 3003
Epoxy Black	14 (350)	7 - 9" posts	¾ (19)	1	20	043 3503



Field Gate Lock Through Hook



FINISH	SIZE INS (MM)	SUITABLE FOR	PIN/EYE Ø INS (MM)	MIN. ORDER QTY	OUTER CARTON QTY	CODE
Galvanised	15 (375)	4 - 12" posts	¾ (19)	1	10	084 3501

Extended hook locks into post to prevent hook twisting

Field Gate Hook to Drive



FINISH	LENGTH INS (MM)	PIN Ø INS (MM)	MIN. ORDER QTY	INNER CARTON QTY	OUTER CARTON QTY	CODE
Galvanised	8½ (215)	¾ (19)	1	10	20	041 8191
Epoxy Black	8½ (215)	¾ (19)	1	10	30	041 8193

Our hooks to drive have a barbed shank to ensure secure fixing

Field Gate Hook to Build



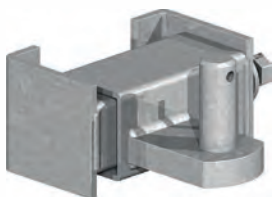
FINISH	SUITABLE FOR	PIN Ø INS (MM)	MIN. ORDER QTY	OUTER CARTON QTY	CODE
Galvanised	9" brickwork	¾ (19)	1	20	044 2251

Field Gate Hook to Screw



FINISH	SIZE INS (MM)	PIN Ø INS (MM)	MIN. ORDER QTY	OUTER CARTON QTY	CODE
Galvanised	9 (225)	¾ (19)	1	25	085 2251

Adjustable RSJ Field Gate Hanger for Metal Gates

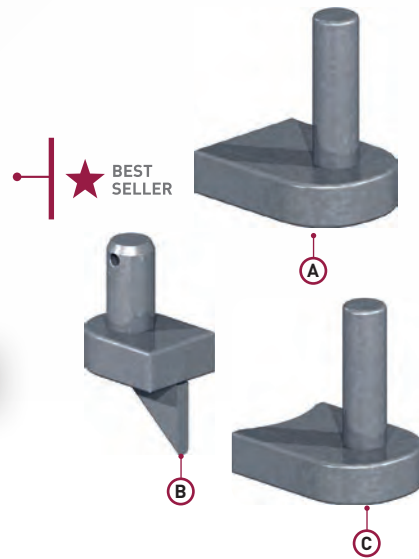


FINISH	SUITABLE FOR	PIN/EYE Ø INS (MM)	MIN. ORDER QTY	OUTER CARTON QTY	CODE
Galvanised	4 - 7" RSJ	¾ (19)	1	10	095 0001

Gate Hook to Weld

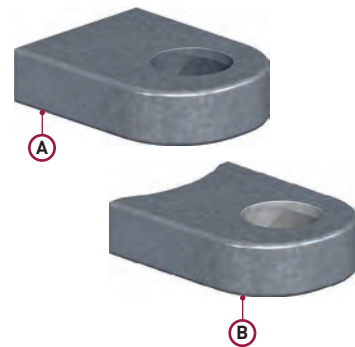
DESC	FINISH	PIN Ø INS (MM)	MIN. ORDER QTY	INNER CARTON QTY	OUTER CARTON QTY	CODE
Flat Base (A)	Self Colour	½ (12)	1	50	300	046 0124
Flat Base (A)	Self Colour	⅝ (16)	1	10	50	046 0164
Flat Base (A)*	Self Colour	¾ (19)	1	10	50	046 1194
Flat Base (A)	Self Colour	¾ (19)	1	10	50	046 0194
Flat Base (A)	Self Colour	⅞ (22)	1	10	50	046 0224
Flat Base (A)	Self Colour	1 (25)	1	10	30	046 0254
Flat Base (B)	Self Colour	1¼ (32)	1	-	10	046 0324
Radius Base (C)	Self Colour	¾ (19)	1	10	50	046 2194

*Designed for use with field gate top bands



Gate Eye to Weld

DESC	FINISH	EYE Ø INS (MM)	MIN. ORDER QTY	INNER CARTON QTY	OUTER CARTON QTY	CODE
Flat Base (A)	Self Colour	½ (12)	1	50	300	047 0124
Flat Base (A)	Self Colour	⅝ (16)	1	10	100	047 0164
Flat Base (A)	Self Colour	¾ (19)	1	10	100	047 0194
Flat Base (A)	Self Colour	⅞ (22)	1	10	100	047 0224
Flat Base (A)	Self Colour	1 (25)	1	10	50	047 0254
Flat Base (A)	Self Colour	1¼ (32)	1	-	25	047 0324
Radius Base (B)	Self Colour	¾ (19)	1	10	100	047 2194




Industry leading customer service

Built on years of experience, our knowledgeable team are more than happy to assist you.

T 0345 450 9000 E mail@birkdalesales.com



Adjustable Gate Eye with 2 Nuts



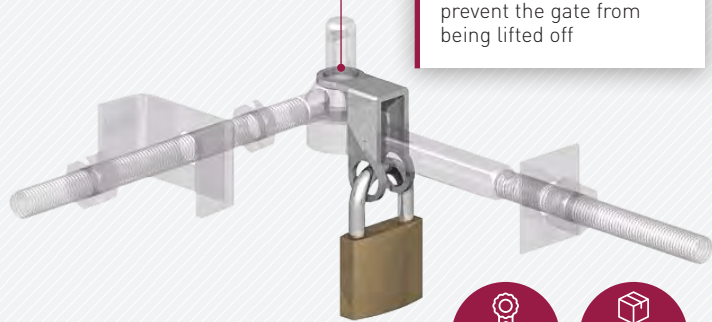
Superior quality steel adjustable gate eye bolts with two nuts. Designed for field and farm gates, these gate eyes are compatible with our wide range of gate hooks. Adjustable gate eyes can be bolted directly through steel gate stiles, but for timber gates an adjustable bottom fitting is commonly used

FINISH	THREAD GAUGE	THREAD LENGTH TO CENTRE OF EYE INS (MM)	SUITABLE FOR PIN INS (MM)	MIN. ORDER QTY	OUTER CARTON QTY	CODE
Galvanised	M12	4 (100)	½ (12)	1	100	049 4121
Galvanised	M16	4 (100)	⅝ (16)	1	50	049 4161
Galvanised	M20	5 (125)	¾ (20)	1	25	049 4201
Galvanised	M16	6 (150)	⅝ (16)	1	50	049 6161
Galvanised	M20	6 (150)	¾ (20)	1	25	049 6201
Galvanised	M22	7 (180)	⅞ (22)	1	25	049 6221
Galvanised	M20	6 (150)	⅞ (22)	1	25	049 6241
Galvanised	M24	7 (180)	1 (25)	1	25	049 6251
Galvanised	M30	6.8 (175)	1¼ (32)	1	10	049 6321
Galvanised	M20	9 (230)	¾ (20)	1	25	049 8201
Galvanised	M22	9 (230)	⅞ (22)	1	25	049 8221
Galvanised	M20	8 (200)	⅞ (22)	1	25	049 8241
Galvanised	M24	9 (230)	1 (25)	1	20	049 8251
Galvanised	M30	8.7 (220)	1¼ (32)	1	10	049 8321
Galvanised	M20	10 (250)	¾ (20)	1	25	049 1201
BZP	M12	4 (100)	½ (12)	1	100	049 4122
BZP	M16	4 (100)	⅝ (16)	1	50	049 4162
BZP	M20	5 (125)	¾ (20)	1	25	049 4202
BZP	M12	6 (150)	½ (12)	1	100	049 6122
BZP	M16	6 (150)	⅝ (16)	1	50	049 6162
BZP	M20	6 (150)	¾ (20)	1	25	049 6202
BZP	M20	8 (200)	¾ (20)	1	25	049 8202
BZP	M20	10 (250)	¾ (20)	1	25	049 1202
Epoxy Black	M12	4 (100)	½ (12)	1	100	049 4123
Epoxy Black	M16	4 (100)	⅝ (16)	1	50	049 4163
Epoxy Black	M20	5 (125)	¾ (20)	1	25	049 4203
Epoxy Black	M12	6 (150)	½ (12)	1	100	049 6123
Epoxy Black	M16	6 (150)	⅝ (16)	1	50	049 6163
Epoxy Black	M20	6 (150)	¾ (20)	1	25	049 6203
Epoxy Black	M22	6 (150)	⅞ (22)	1	25	049 6223
Epoxy Black	M20	8 (200)	¾ (20)	1	25	049 8203
Epoxy Black	M22	8 (200)	⅞ (22)	1	25	049 8223
Epoxy Black	M20	10 (250)	¾ (20)	1	25	049 1203

Field Gate Hooks & Eyes

FIELD GATE ANTI-THEFT BRACKET

- Locks securely over hinge hook to prevent removal of gate
- Simple and convenient to install
- See page 18 for padlocks (sold separately)



Field Gate Anti Theft Bracket

Locks securely over pin to prevent removal of gate

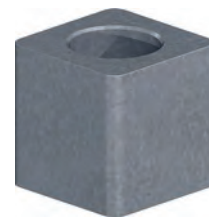
FINISH	SUITABLE FOR	MIN. ORDER QTY	OUTER CARTON QTY	CODE
Galvanised	19mm pins	1	100	040 0001

Padlock not included.



Collar to Weld

FINISH	SIZE INS (MM)	PIN/EYE SIZE (MM)	MIN. ORDER QTY	OUTER CARTON QTY	CODE
Self Colour	1½ x 1½ (40 x 40)	21	1	50	048 0404
Self Colour	2 x 2 (50 x 50)	32	1	30	048 0504



Press-Fit Gate Security Collar

Locks onto hook to prevent removal of gate

FINISH	PIN/EYE Ø INS (MM)	MIN. ORDER QTY	OUTER CARTON QTY	CODE
Stainless Steel	5/8 (16)	1	10	040 0166
Stainless Steel	3/4 (19)	1	10	040 0196

Constructed from Grade 316 stainless steel



Field Gate Latches, Catches & Bolts

FOR
FIELD GATE
CATCH KITS,
SEE PAGES
29-30



Field Gate Self Locking Catch

FINISH	MIN. ORDER QTY	OUTER CARTON QTY	CODE
Galvanised	1	25	063 0001
Epoxy Black	1	25	063 0003

Field Gate Stand Off Self Locking Catch

FINISH	MIN. ORDER QTY	OUTER CARTON QTY	CODE
Galvanised	1	25	063 0011

Fixings included



Field Gate Self Locking Animal Safety Catch

FINISH	MIN. ORDER QTY	OUTER CARTON QTY	CODE
Galvanised	1	20	063 0111



Field Gate Mortice Gate Latch

FINISH	DESC	MIN. ORDER QTY	OUTER CARTON QTY	CODE
Galvanised	For 3" (75mm) stile	1	10	069 0751



Field Gate Hunting Type Locking Catch

FINISH	MIN. ORDER QTY	OUTER CARTON QTY	CODE
Galvanised	1	10	064 0001



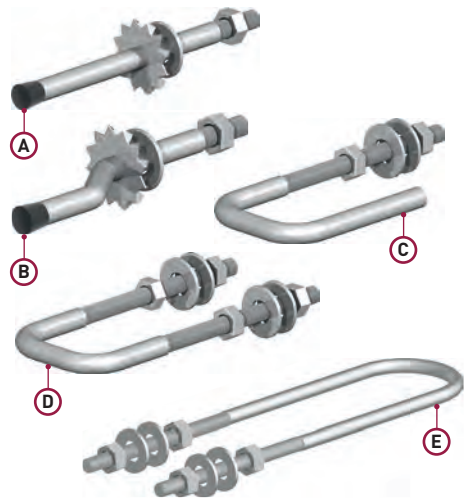
Field Gate Hunting Type Lift Catch

FINISH	MIN. ORDER QTY	OUTER CARTON QTY	CODE
Galvanised	1	10	064 0111



Striker for Self Locking Field Gate Catches

DESC	FINISH	MIN. ORDER QTY	INNER CARTON QTY	OUTER CARTON QTY	CODE
Straight Leg (A)	Galvanised	1	10	100	065 0041
Cranked Leg (B)	Galvanised	1	10	100	065 0011
Odd Leg (C)	Galvanised	1	10	60	065 0031
Double Leg (D)	Galvanised	1	10	50	065 0021
Heavy Duty Double Leg (E)	Galvanised	1	10	20	065 0051



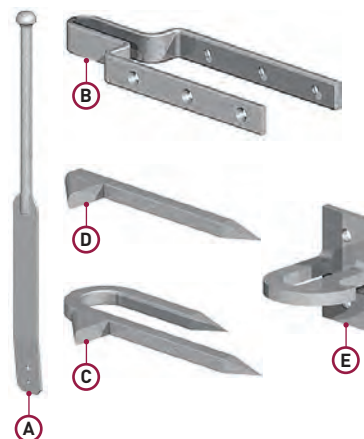
Field Gate Shoot Bolt

FINISH	MIN. ORDER QTY	OUTER CARTON QTY	CODE
Galvanised	1	20	066 0001



Field Gate Spring Fastener Set Accessories

DESC	FINISH	MIN. ORDER QTY	INNER CARTON QTY	OUTER CARTON QTY	CODE
Spring Latch (A)	Galvanised	1	10	20	067 0011
Keep (B)	Galvanised	1	10	30	067 0021
Heavy Duty Staple Catch (C)	Galvanised	1	10	40	067 0031
Single Drive Catch (D)	Galvanised	1	10	50	067 0041
Staple Catch on Plate (E)	Galvanised	1	-	10	067 0051



Field Gate Central Closing Catch



FINISH	MIN. ORDER QTY	INNER CARTON QTY	OUTER CARTON QTY	CODE
Galvanised	1	10	50	068 0001

Field Gate Uni-Latch Kit

KIT SUITABLE FOR WOODEN FIELD GATES ILLUSTRATED



DESC	FINISH	MIN. ORDER QTY	OUTER CARTON QTY	CODE
Suitable for Wooden Gates	Galvanised	1	4	092 0001
Suitable for Metal Gates	Galvanised	1	5	092 0021

Handle to be bought separately

Field Gate Uni-Latch Components & Accessories



DESC	FINISH	MIN. ORDER QTY	OUTER CARTON QTY	CODE
Straight Handle (A)	Galvanised	1	10	093 0001
U' Shaped Handle (B)	Galvanised	1	10	094 0001
Spring Latch (assembly only for Uni-Latch Wooden Field Gate Kit) (C)	Galvanised	1	8	092 0041
Spring Latch (assembly only for Uni-Latch Metal Field Gate Kit) (D)	Galvanised	1	20	092 0061
Stand Off Self Locking Gate Catch (E)	Galvanised	1	25	063 0011
Handle Retaining Bracket for Wooden Gates (F)	Galvanised	1	20	092 0051

Field Gate Uni-Latch 2 Way Self Locking Catch



FINISH	TO SUIT POST INS (MM)	MIN. ORDER QTY	OUTER CARTON QTY	CODE
Galvanised	7 x 7 (175 x 175)	1	10	092 0011

Includes Fixings & 2 Signs

Field Gate New Zealand Gate Fastener

FINISH	SIZE INS (MM)	MIN. ORDER QTY	INNER CARTON QTY	OUTER CARTON QTY	CODE
BZP	40 (1000)	1	5	30	071 1002
BZP	16½ (420)	1	5	50	071 4202



Field Gate Northumberland Gate Fastener

FINISH	SIZE INS (MM)	MIN. ORDER QTY	INNER CARTON QTY	OUTER CARTON QTY	CODE
Galvanised	16 (400)	1	10	50	071 3001



Field Gate Safety Gate Hook & Eye

FINISH	LENGTH INS (MM)	GAUGE (MM)	MIN. ORDER QTY	INNER CARTON QTY	OUTER CARTON QTY	CODE
Galvanised	6 (150)	8	1	10	50	070 0001



Sprung Slide Bolt for Metal Field Gates

FINISH	SIZE INS (MM)	MIN. ORDER QTY	OUTER CARTON QTY	CODE
Galvanised	12 (300)	1	10	092 0031



Spring for Sprung Field Gate Slide Bolt

FINISH	SIZE INS (MM)	MIN. ORDER QTY	OUTER CARTON QTY	CODE
BZP	4½ (115)	1	10	092 0031S



“ The best

I've been working in the industry for a long time now when it comes to service, price, delivery times and most importantly, quality, this company outperforms its competitors by far!!!





Field Gate Cast Gravity Catch for Timber Posts



FINISH	SIZE INS (MM)	MIN. ORDER QTY	OUTER CARTON QTY	CODE
Galvanised	16 (400)	1	5	073 0001

Field Gate Cast Gravity Catch to Concrete In



FINISH	MIN. ORDER QTY	OUTER CARTON QTY	CODE
Galvanised	1	5	074 0001
Epoxy Black	1	5	074 0003

Manchester Corporation Catch



FINISH	SIZE INS (MM)	MIN. ORDER QTY	INNER CARTON QTY	OUTER CARTON QTY	CODE
Galvanised	2 3/4 (70)	1	10	50	075 0701

Manchester Corporation Latch Bar



FINISH	SIZE INS (MM)	MIN. ORDER QTY	INNER CARTON QTY	OUTER CARTON QTY	CODE
Galvanised	10 (250)	1	10	50	075 2501

Drop Bolt for Metal Field Gates



DESC	FINISH	SIZE INS (MM)	MIN. ORDER QTY	OUTER CARTON QTY	CODE
Bolt-On (A)	Galvanised	22 (560)	1	5	099 2151
Clamp-On (B)	Galvanised	21 (540)	1	-	099 2161

Field Gate Throwover Loops

Throwover Loop for Metal Field Gates

FINISH	SIZE INS (MM)	MIN. ORDER QTY	OUTER CARTON QTY	CODE
Galvanised	14 (350)	1	2	099 2101
Galvanised	34 (860)*	1	2	099 2131

*34" (860mm) throwover loop is lockable



Flat Sided Throwover Loop for Metal Field Gates

FINISH	SIZE INS (MM)	MIN. ORDER QTY	OUTER CARTON QTY	CODE
Galvanised	30 (750)	1	5	099 2111



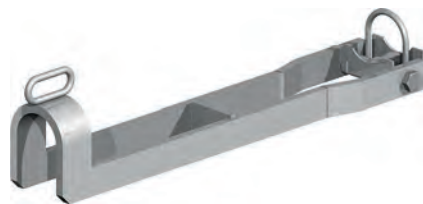
Heavy Duty Throwover Loop Lift 'N' Slide for Metal Field Gates

FINISH	SIZE INS (MM)	MIN. ORDER QTY	OUTER CARTON QTY	CODE
Galvanised	26 (660)	1	2	099 2121



Clamp on Throwover Loop for Metal Field Gates

FINISH	SIZE INS (MM)	MIN. ORDER QTY	CODE
Galvanised	18 (450)	1	099 2181



Field Gate Throwover Loop for 3" Gates

FINISH	SIZE INS (MM)	MIN. ORDER QTY	INNER CARTON QTY	CODE
Galvanised	6 (150)	1	10	060 1501
Galvanised	14 (350)	1	10	060 3501
Epoxy Black	14 (350)	1	10	060 3503



Field Gate Throwover Loop with Lifting Handle for 3" Gates



FINISH	SIZE INS (MM)	MIN. ORDER QTY	OUTER CARTON QTY	CODE
Galvanised	14 (350)	1	10	061 3501
Epoxy Black	14 (350)	1	10	061 3503

Field Gate Throwover Loop with Lifting Handle for 3" Gates



FINISH	SIZE INS (MM)	MIN. ORDER QTY	OUTER CARTON QTY	CODE
Galvanised	18 (450)	1	10	061 4501
Epoxy Black	18 (450)	1	10	061 4503

Includes lockable staple

Field Gate Throwover Loop for 2" Gates



FINISH	SIZE INS (MM)	MIN. ORDER QTY	OUTER CARTON QTY	CODE
Galvanised	12 (300)	1	20	062 3001
Epoxy Black	12 (300)	1	20	062 3003

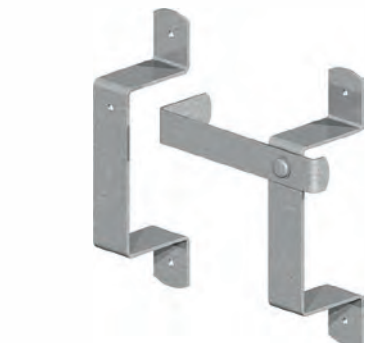
D' Bracket



DESC	FINISH	SIZE INS (MM)	MIN. ORDER QTY	INNER CARTON QTY	OUTER CARTON QTY	CODE
Standard	Galvanised	2½ (65)	1	10	50	078 0651
Heavy	Galvanised	3½ (90)	1	-	50	078 0801

Slip Rail Brackets

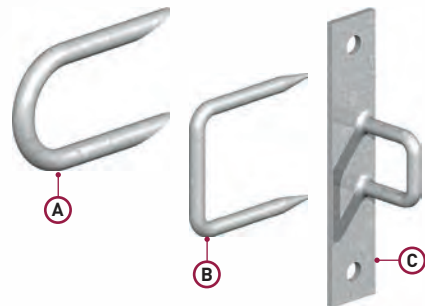
- Heavy duty - material 4mm thick
- Includes galvanised coach screws



FINISH	SUITABLE FOR	MIN. ORDER QTY	INNER CARTON QTY	OUTER CARTON QTY	CODE
Galvanised	up to 2 x 4" rails	1	10	30	072 0001

Gate Staple

DESC	FINISH	SIZE INS (MM)	MIN. ORDER QTY	INNER CARTON QTY	OUTER CARTON QTY	CODE
Round Pattern (A)	Galvanised	3 (75)	1	10	100	077 0751
Round Pattern (A)	Galvanised	4 (100)	1	10	100	077 1001
Round Pattern (A)	Galvanised	6 (150)	1	10	100	077 1501
Square Pattern (B)	Galvanised	4 (100)	1	10	50	079 1001
On Elongated Plate (C)	Galvanised	3 (75)	1	-	50	078 0751



Rail Brackets

FINISH	SIZE INS (MM)	MIN. ORDER QTY	INNER CARTON QTY	OUTER CARTON QTY	CODE
Galvanised	2 (50)	1	10	30	083 0501



Flake Staple

FINISH	SIZE INS (MM)	MIN. ORDER QTY	INNER CARTON QTY	OUTER CARTON QTY	CODE
Galvanised	4 (100)	1	10	50	079 1201



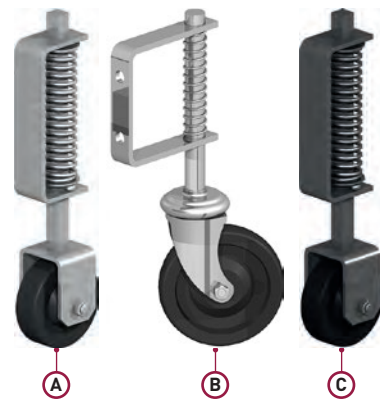
Devon Field Gate Drop

FINISH	SIZE INS (MM)	MIN. ORDER QTY	OUTER CARTON QTY	CODE
Galvanised	6 (150)	1	20	080 1501



Spring Loaded Gate Wheel

FINISH	SIZE INS (MM)	DESC	MIN. ORDER QTY	OUTER CARTON QTY	CODE
BZP (B)	11 (280)	Medium Duty	1	5	081 2802
Galvanised (A)	14½ (368)	Heavy Duty	1	5	081 3681
Epoxy Black (C)	14½ (368)	Heavy Duty	1	5	081 3683



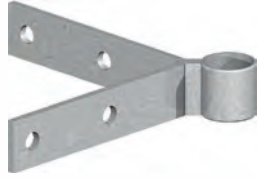
Field Gate Clamp On Wheel for Metal Gates

FINISH	SIZE INS (MM)	MIN. ORDER QTY	CODE
Galvanised	9 (225)	1	099 2171



Irish Field Gate Fittings

Field Gate Hanger with Eye on Corner for Metal Gates - 90° Angle



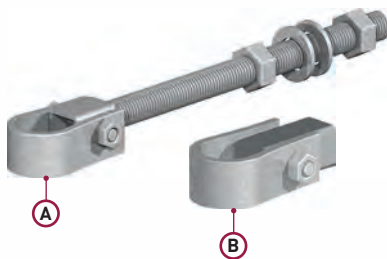
FINISH	SUITABLE FOR	DESC	PIN/EYE Ø INS (MM)	MIN. ORDER QTY	OUTER CARTON QTY	CODE
BZP	7 - 8" posts	Top Hinge	1 3/8 (35)	1	10	050 1812
BZP	7 - 8" posts	Bottom Hinge	1 3/8 (35)	1	10	050 1802

Field Gate Hanger to Bolt for Metal Gates



DESC	FINISH	SIZE INS (MM)	PIN Ø INS (MM)	MIN. ORDER QTY	OUTER CARTON QTY	CODE
Top Hinge	BZP	10 (250)	1 3/8 (35)	1	25	050 2512
Top Hinge	BZP	12 (300)	1 3/8 (35)	1	25	050 3012
Bottom Hinge	BZP	10 (250)	1 3/8 (35)	1	25	050 2502
Bottom Hinge	BZP	12 (300)	1 3/8 (35)	1	25	050 3002

Removable Field Gate Hanger for Metal Gates



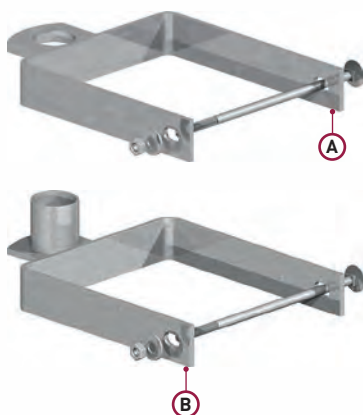
DESC	FINISH	SIZE INS (MM)	PIN/EYE Ø INS (MM)	MIN. ORDER QTY	OUTER CARTON QTY	CODE
to Bolt (A)	Galvanised	12 (300)	1 3/8 (35)	1	25	050 3011
to Weld (B)	Galvanised	12 (300)	1 3/8 (35)	1	40	050 3021

Eyebolt Field Gate Hanger for Metal Gates



FINISH	SIZE INS (MM)	DIAMETER	PIN/EYE Ø INS (MM)	MIN. ORDER QTY	OUTER CARTON QTY	CODE
Galvanised	12 (300)	5/8 (16)	1 3/8 (35)	1	25	051 3001

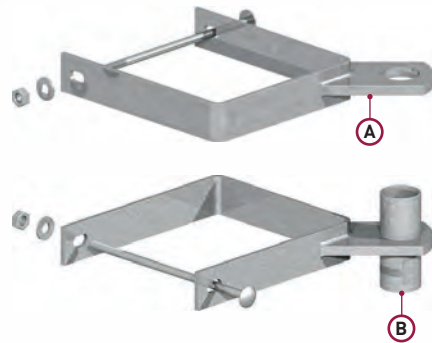
Square Post Field Gate Hanger for Metal Gates



DESC	FINISH	SIZE INS (MM)	PIN/EYE Ø INS (MM)	MIN. ORDER QTY	OUTER CARTON QTY	CODE
Top Hinge (A)	Galvanised	6 (150)	1 3/8 (35)	1	10	052 4351
Top Hinge (A)	Galvanised	7 (175)	1 3/8 (35)	1	10	052 6351
Top Hinge (A)	Galvanised	8 (200)	1 3/8 (35)	1	10	052 8351
Bottom Hinge (B)	Galvanised	6 (150)	1 3/8 (35)	1	10	052 5351
Bottom Hinge (B)	Galvanised	7 (175)	1 3/8 (35)	1	10	052 7351
Bottom Hinge (B)	Galvanised	8 (200)	1 3/8 (35)	1	10	052 9351

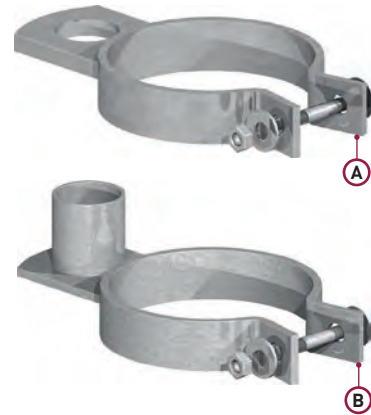
Square Post Field Gate Hanger with Eye on Corner for Metal Gates

DESC	FINISH	SIZE INS (MM)	PIN/EYE Ø INS (MM)	MIN. ORDER QTY	OUTER CARTON QTY	CODE
Top Hinge (A)	Galvanised	7 (175)	1 3/8 (35)	1	20	052 0351
Top Hinge (A)	Galvanised	8 (200)	1 3/8 (35)	1	20	052 0361
Bottom Hinge (B)	Galvanised	7 (175)	1 3/8 (35)	1	10	052 1351
Bottom Hinge (B)	Galvanised	8 (200)	1 3/8 (35)	1	10	052 1361



Tubular Post Field Gate Hanger for Metal Gates

DESC	FINISH	SIZE INS (MM)	PIN/EYE Ø INS (MM)	MIN. ORDER QTY	OUTER CARTON QTY	CODE
Top Hinge (A)	BZP	4 1/2 (115)	1 3/8 (35)	1	20	052 2352
Top Hinge (A)	BZP	6 (150)	1 3/8 (35)	1	20	052 2012
Top Hinge (A)	BZP	7 (175)	1 3/8 (35)	1	20	052 2112
Top Hinge (A)	BZP	8 (200)	1 3/8 (35)	1	20	052 2212
Bottom Hinge (B)	BZP	4 1/2 (115)	1 3/8 (35)	1	20	052 3352
Bottom Hinge (B)	BZP	6 (150)	1 3/8 (35)	1	20	052 2002
Bottom Hinge (B)	BZP	7 (175)	1 3/8 (35)	1	20	052 2102
Bottom Hinge (B)	BZP	8 (200)	1 3/8 (35)	1	20	052 2202



Half Round Gate Hanger Kit for Metal Gates

FINISH	SUITABLE FOR	PIN/EYE Ø INS (MM)	MIN. ORDER QTY	OUTER CARTON QTY	CODE
Galvanised	6 - 8" posts	1 3/8 (35)	1	10	052 1751

Includes: top and bottom gate hangers and fixings. Suits 150-200mm diameter post



RSJ Field Gate Hanger for Metal Gates

DESC	FINISH	PIN/EYE Ø INS (MM)	MIN. ORDER QTY	OUTER CARTON QTY	CODE
Top Hinge	BZP	1 3/8 (35)	1	25	052 0352
Bottom Hinge	BZP	1 3/8 (35)	1	25	052 1352





Bullnose Field Gate Hanger for Metal Gates



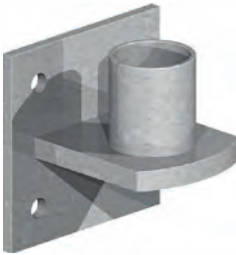
DESC	FINISH	PIN/EYE Ø INS (MM)	MIN. ORDER QTY	OUTER CARTON QTY	CODE
Top Hinge	BZP	1 3/8 (35)	1	25	052 1452
Bottom Hinge	BZP	1 3/8 (35)	1	25	052 1552

Horizontal Field Gate Hanger for Metal Gates



DESC	FINISH	PIN/EYE Ø INS (MM)	MIN. ORDER QTY	OUTER CARTON QTY	CODE
Top Hinge	Galvanised	1 3/8 (35)	1	25	052 1712
Bottom Hinge	Galvanised	1 3/8 (35)	1	25	052 1702

Square Plate Field Gate Hanger for Metal Gates



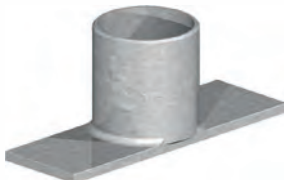
DESC	FINISH	PIN/EYE Ø INS (MM)	MIN. ORDER QTY	OUTER CARTON QTY	CODE
Top Hinge	Galvanised	1 3/8 (35)	1	25	052 1051
Bottom Hinge	Galvanised	1 3/8 (35)	1	25	052 1151

Vertical Field Gate Hanger for Metal Gates



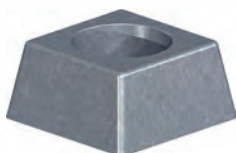
DESC	FINISH	SUITABLE FOR	PIN/EYE Ø INS (MM)	MIN. ORDER QTY	OUTER CARTON QTY	CODE
Top Hinge	Galvanised	7 - 8"	1 3/8 (35)	1	25	052 1812
Bottom Hinge	Galvanised	7 - 8"	1 3/8 (35)	1	25	052 1802

Field Gate Hanger to Concrete In for Metal Gates



FINISH	PIN/EYE Ø INS (MM)	MIN. ORDER QTY	OUTER CARTON QTY	CODE
BZP	1 3/8 (35)	1	25	052 1902

Field Gate Cast Heel to Concrete In for Metal Gates



FINISH	PIN/EYE Ø INS (MM)	MIN. ORDER QTY	INNER CARTON QTY	OUTER CARTON QTY	CODE
Self Colour	1 3/8 (35)	1	10	50	052 2254

GATE AUTOMATION ACCESSORIES

Gatamate® Easi-Fit Adjustable Gate Post System

FINISH	SIZE (MM)	PIN/EYE Ø INS (MM)	MIN. ORDER QTY	CODE
Premium Black	2440 x 150 x 150	¾ (19)	20	800 2443



Gatamate® Easi-Fit Adjustable Gate Post System - Standard Hinge Set

FINISH	SIZE INS (MM)	PIN/EYE Ø INS (MM)	MAX LOAD (KG)	MIN. ORDER QTY	CODE
Premium Black	12 (300)	¾ (19)	200	1	801 0193



Gatamate® Easi-Fit Adjustable Gate Post System - Top Pivot Hinge

FINISH	SIZE INS (MM)	DESC	MAX LOAD (KG)	MIN. ORDER QTY	CODE
Premium Black	16 (400)	Right Hand	250	1	801 4003
Premium Black	16 (400)	Left Hand	250	1	801 4013



Gatamate® Easi-Fit Adjustable Gate Post System - Bottom Pivot Hinge

FINISH	SIZE INS (MM)	DESC	MAX LOAD (KG)	MIN. ORDER QTY	CODE
Premium Black	16 (400)	Right Hand	250	1	801 4023
Premium Black	16 (400)	Left Hand	250	1	801 4033



PREMIUM FINISH RANGE

Stainless Steel Range

Stainless steel is an iron alloy with high levels of chromium; giving it an external layer that is virtually rust free. Our premium range products are made from marine grade 316 stainless steel – ideal for coastal and other high-moisture environments.

ALL OUR
STAINLESS STEEL
PRODUCTS ARE
316 MARINE
GRADE

See page 76 for table of loading applications for hinges.

Weighty Scotch Tee Hinges



FINISH	SIZE INS (MM)	LOAD APPL.	UNIT QTY	MIN. ORDER QTY	OUTER CARTON QTY	CODE
Stainless Steel	12 (300)	C	1 Pair	1 Pair	10 Pairs	004 3006

Straight Band & Hook on Plate



FINISH	SIZE INS (MM)	LOAD APPL.	UNIT QTY	MIN. ORDER QTY	OUTER CARTON QTY	CODE
Stainless Steel	18 (450)	C	1 Pair	1 Pair	5 Pairs	006 4506

Cranked Band & Hook on Plate



FINISH	SIZE INS (MM)	LOAD APPL.	UNIT QTY	MIN. ORDER QTY	OUTER CARTON QTY	CODE
Stainless Steel	18 (450)	C	1 Pair	1 Pair	5 Pairs	007 4506
Stainless Steel	24 (600)	C	1 Pair	1 Pair	2 Pairs	007 6006
Stainless Steel	36 (900)	D	1 Pair	1 Pair	-	007 9006

Adjustable Band & Hook on Plate



These robust hinges provide full adjustability, allowing the installer to both align gates during fitting and also adjust after fitting to compensate for gate drop over time.

FINISH	SIZE INS (MM)	LOAD APPL.	UNIT QTY	MIN. ORDER QTY	CODE
Stainless Steel	18 (450)	C	1 Pair	1 Pair	008 4506
Stainless Steel	24 (600)	C	1 Pair	1 Pair	008 6006
Stainless Steel	36 (900)	D	1 Pair	1 Pair	008 9006

1 pair includes: 2 x bands, 2 x adjustable gate eyes and 2 x hooks on plates

Heavy Duty Gothic Suffolk Latch

FINISH	MIN. ORDER QTY	OUTER CARTON QTY	CODE
Stainless Steel	1	10	123 0036



Ring Gate Latch

FINISH	SIZE INS (MM)	MIN. ORDER QTY	OUTER CARTON QTY	CODE
Stainless Steel	6 (150)	1	10	124 1506



Cast Pattern Cabin Hook

FINISH	SIZE INS (MM)	MIN. ORDER QTY	INNER CARTON QTY	CODE
Stainless Steel	4 (100)	1	10	136 1006



Brenton Padbolt with 1/2" Shoot

FINISH	SIZE INS (MM)	MIN. ORDER QTY	OUTER CARTON QTY	CODE
Stainless Steel	6 (150)	1	30	103 1506



Brenton Padbolt with 5/8" Shoot

FINISH	SIZE INS (MM)	MIN. ORDER QTY	OUTER CARTON QTY	CODE
Stainless Steel	8 (200)	1	20	104 2006



Heavy Locking Garage Door Bolt



Includes lockable hasp and staple and receiver plate

FINISH	SIZE INS (MM)	MIN. ORDER QTY	OUTER CARTON QTY	CODE
Stainless Steel	18 x 5/8 (450 x 16)	1	10	117 4506

Premium Black Range

A 'hot-dip' galvanised finish with a black polyester powder coating on top. This double layer results in a high level of corrosion resistance.

See page 76 for table of loading applications for hinges.

Medium Tee Hinges



FINISH	SIZE INS (MM)	LOAD APPL.	UNIT QTY	MIN. ORDER QTY	OUTER CARTON QTY	CODE
Premium Black	18 (450)	B	1 Pair	10 Pairs	20 Pairs	002 450B

Strong Tee Hinges



FINISH	SIZE INS (MM)	LOAD APPL.	UNIT QTY	MIN. ORDER QTY	CODE
Premium Black	18 (450)	C	1 Pair	10 Pairs	003 450B
Premium Black	24 (600)	C	1 Pair	5 Pairs	003 600B

Cranked Band & Hook on Plate



FINISH	SIZE INS (MM)	LOAD APPL.	UNIT QTY	MIN. ORDER QTY	OUTER CARTON QTY	CODE
Premium Black	18 (450)	C	1 Pair	1 Pair	5 Pairs	007 450B
Premium Black	24 (600)	C	1 Pair	1 Pair	2 Pairs	007 600B
Premium Black	30 (750)	D	1 Pair	1 Pair	2 Pairs	007 750B
Premium Black	36 (900)	D	1 Pair	1 Pair	2 Pairs	007 900B

Cranked Curve Rail Hinge Sets

DESC	FINISH	SIZE INS (MM)	LOAD APPL.	UNIT QTY	MIN. ORDER QTY	CODE
Left Handed	Premium Black	12 (300)	B	1 Pair	1 Pair	026 000B
Right Handed	Premium Black	12 (300)	B	1 Pair	1 Pair	026 001B



Left Hand Illustrated

Adjustable Band & Hook on Plate

These robust hinges provide full adjustability, allowing the installer to both align gates during fitting and also adjust after fitting to compensate for gate drop over time

FINISH	SIZE INS (MM)	LOAD APPL.	UNIT QTY	MIN. ORDER QTY	OUTER CARTON QTY	CODE
Premium Black	18 (450)	C	1 Pair	1 Pair	-	008 450B
Premium Black	24 (600)	C	1 Pair	1 Pair	2 Pairs	008 600B
Premium Black	30 (750)	D	1 Pair	1 Pair	2 Pairs	008 750B
Premium Black	36 (900)	D	1 Pair	1 Pair	-	008 900B

1 pair includes: 2 x bands, 2 x adjustable gate eyes and 2 x hooks on plates



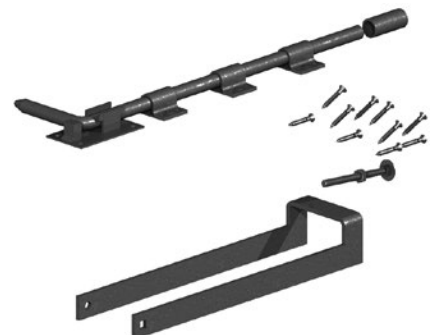
Heavy Reversible Hinges

FINISH	SIZE INS (MM)	LOAD APPL.	UNIT QTY	MIN. ORDER QTY	OUTER CARTON QTY	CODE
Premium Black	18 (450)	C	1 Pair	1 Pair	5 Pairs	017 450B
Premium Black	24 (600)	C	1 Pair	1 Pair	2 Pairs	017 600B
Premium Black	36 (900)	D	1 Pair	1 Pair	2 Pairs	017 900B



Field Gate Double Fastener Set

FINISH	SIZE INS	MIN. ORDER QTY	OUTER CARTON QTY	CODE
Premium Black	18" Bolt 14" Throwover Loop	1	10	038 000B



Field Gate Spring Fastener Set



FINISH	SIZE INS (MM)	MIN. ORDER QTY	OUTER CARTON QTY	CODE
Premium Black	24 (600)	1	10	036 000B

Field Gate Double Strap Band for 3" Gates



FINISH	SIZE INS (MM)	SUITABLE FOR	MIN. ORDER QTY	OUTER CARTON QTY	CODE
Premium Black	24 (600)	3" gates	1	8	053 600B

Field Gate Hook on Plate



FINISH	SIZE INS (MM)	PIN Ø INS (MM)	MIN. ORDER QTY	OUTER CARTON QTY	CODE
Premium Black	4 x 4 (100 x 100)	3/4 (19)	1	25	042 419B

Field Gate Adjustable Hook on Plate



FINISH	SIZE INS (MM)	PIN Ø INS (MM)	MIN. ORDER QTY	OUTER CARTON QTY	CODE
Premium Black	4 x 4 (100 x 100)	3/4 (19)	1	10	042 519B

Suffolk Latch with Long Thumb Bit



FINISH	GAUGE	MIN. ORDER QTY	OUTER CARTON QTY	CODE
Premium Black	Heavy	5	50	123 002B

Ring Gate Latch

FINISH	SIZE INS (MM)	MIN. ORDER QTY	OUTER CARTON QTY	CODE
Premium Black	5 (125)	5	40	124 125B
Premium Black	6 (150)	5	40	124 150B



Cast Pattern Cabin Hook

FINISH	SIZE INS (MM)	MIN. ORDER QTY	CODE
Premium Black	8 (200)	10	136 200B



Brenton Padbolt with 1/2" Shoot

FINISH	SIZE INS (MM)	MIN. ORDER QTY	OUTER CARTON QTY	CODE
Premium Black	6 (150)	5	50	103 150B
Premium Black	8 (200)	5	50	103 200B



Brenton Padbolt with Elongated Keep & 5/8" Shoot

FINISH	SIZE INS (MM)	MIN. ORDER QTY	OUTER CARTON QTY	CODE
Premium Black	8 (200)	5	30	104 201B



Garage Door Bolt

FINISH	SIZE INS (MM)	MIN. ORDER QTY	OUTER CARTON QTY	CODE
Premium Black	18 (450)	1	20	116 450B
Premium Black	24 (600)	1	20	116 600B



ORNAMENTAL RANGE

See page 76 for table of loading applications for hinges.

Ornamental Hinge Front (Arrow)



FINISH	SIZE INS (MM)	UNIT QTY	MIN. ORDER QTY	CODE
Dull Black	16 (400)	1 Pair	5 Pairs	154 4003

Ornamental Tee Hinges



FINISH	SIZE INS (MM)	LOAD APPL.	UNIT QTY	MIN. ORDER QTY	CODE
Dull Black	6 (150)	A	1 Pair	5 Pairs	150 1503
Dull Black	9 (225)	A	1 Pair	5 Pairs	150 2253
Dull Black	12 (300)	A	1 Pair	5 Pairs	150 3003

Ornamental Heavy Duty Tee Hinges



FINISH	SIZE INS (MM)	LOAD APPL.	UNIT QTY	MIN. ORDER QTY	CODE
Dull Black	12 (300)	B	1 Pair	10 Pairs	174 3003
Dull Black	14 (350)	B	1 Pair	10 Pairs	174 3503
Dull Black	16 (400)	B	1 Pair	10 Pairs	174 4003
Dull Black	18 (450)	B	1 Pair	10 Pairs	174 4503

Ornamental Fleur De Lys Tee Hinges



FINISH	SIZE INS (MM)	LOAD APPL.	UNIT QTY	MIN. ORDER QTY	OUTER CARTON QTY	CODE
Dull Black	12 (300)	B	1 Pair	5 Pairs	10 Pairs	151 3003

Ornamental Butterfly Hinges



FINISH	SIZE INS (MM)	LOAD APPL.	UNIT QTY	MIN. ORDER QTY	OUTER CARTON QTY	CODE
Dull Black	2¾ x 2 (70 x 50)	A	1 Pair	10 Pairs	100 Pairs	152 7053

Ornamental Unequal Hinges

FINISH	SIZE INS (MM)	LOAD APPL.	UNIT QTY	MIN. ORDER QTY	OUTER CARTON QTY	CODE
Dull Black	4 x 3 (100 x 75)	A	1 Pair	10 Pairs	100 Pairs	153 1003



Ornamental Suffolk Latch

FINISH	SIZE INS (MM)	MIN. ORDER QTY	OUTER CARTON QTY	CODE
Dull Black	6 (150)	5	20	164 1503



Ornamental Ring Gate Latch

FINISH	SIZE INS (MM)	MIN. ORDER QTY	OUTER CARTON QTY	CODE
Dull Black	8 (200)	1	10	125 2003
Dull Black	10 (250)	1	10	125 2503
Premium Black	8 (200)	1	10	125 200B
Galvanised	8 (200)	1	10	125 2001
Galvanised	10 (250)	1	10	125 2501



Ornamental Ring Handle Only

FINISH	SIZE INS (MM)	MIN. ORDER QTY	INNER CARTON QTY	CODE
Galvanised	4 (100)	1	5	125 0751
Dull Black	4 (100)	1	5	125 0753



Ornamental Cast Pattern Cabin Hooks



FINISH	SIZE INS (MM)	MIN. ORDER QTY	OUTER CARTON QTY	CODE
Dull Black	6 (150)	10	100	159 1503

Ornamental Heavy Duty Drop Bolts



FINISH	SIZE INS (MM)	SHOOT SIZE INS (MM)	MIN. ORDER QTY	OUTER CARTON QTY	CODE
Epoxy Black	24 (600)	5/8 (16)	1	10	118 6003
Galvanised	24 (600)	5/8 (16)	1	10	118 6001

Ornamental Straight Door Bolts



FINISH	SIZE INS (MM)	MIN. ORDER QTY	OUTER CARTON QTY	CODE
Dull Black	6 (150)	10	50	157 1503

Ornamental Lever Lock Handles



FINISH	SIZE INS (MM)	SPINDLE LENGTH INS (MM)	UNIT QTY	MIN. ORDER QTY	OUTER CARTON QTY	CODE
Dull Black	6 x 2 (150 x 50)	3 (75)	1 Pair	1 Pair	5 Pairs	155 1503

Ornamental Fleur De Lys Pull Handles



FINISH	SIZE INS (MM)	MIN. ORDER QTY	CODE
Dull Black	4 (100)	10	160 1003
Dull Black	7 (175)	5	160 1753

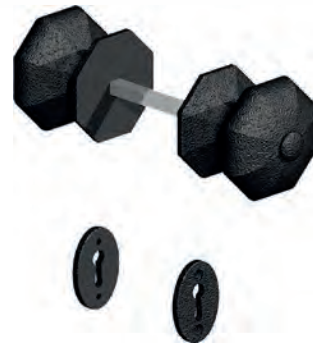
Ornamental Fleur De Lys Lever Lock Handles

FINISH	SIZE INS (MM)	SPINDLE LENGTH INS (MM)	UNIT QTY	MIN. ORDER QTY	OUTER CARTON QTY	CODE
Dull Black	7 x 2 (175 x 50)	3 (75)	1 Pair	1 Pair	5 Pairs	156 1753



Ornamental Cast Octagonal Door Knob Furniture

FINISH	SIZE INS (MM)	SPINDLE LENGTH INS (MM)	MIN. ORDER QTY	OUTER CARTON QTY	CODE
Dull Black	2 (50)	3 (75)	1	5	175 0503



Ornamental Numerals

DESC	FINISH	SIZE INS (MM)	MIN. ORDER QTY	OUTER CARTON QTY	CODE
No. 0	Dull Black	3 (75)	1	10	170 0030
No. 1	Dull Black	3 (75)	1	10	170 0031
No. 2	Dull Black	3 (75)	1	10	170 0032
No. 3	Dull Black	3 (75)	1	10	170 0033
No. 4	Dull Black	3 (75)	1	10	170 0034
No. 5	Dull Black	3 (75)	1	10	170 0035
No. 6	Dull Black	3 (75)	1	10	170 0036
No. 7	Dull Black	3 (75)	1	10	170 0037
No. 8	Dull Black	3 (75)	1	10	170 0038
No. 9	Dull Black	3 (75)	1	10	170 0039



Ornamental Door Studs

FINISH	SIZE INS (MM)	MIN. ORDER QTY	OUTER CARTON QTY	CODE
Dull Black	¾ (19)	25	100	162 0193



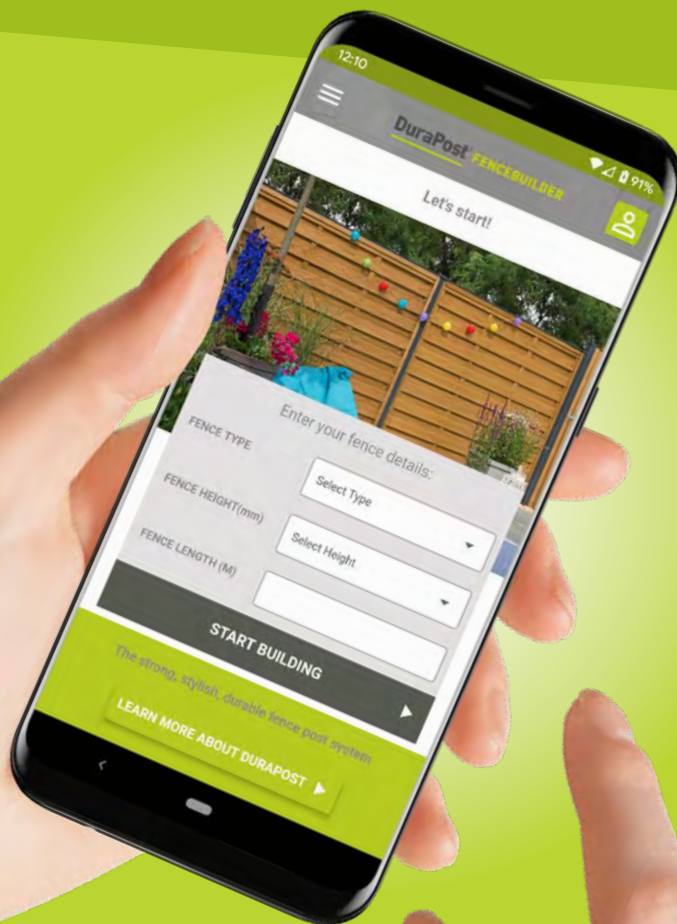
Ornamental Casement Stay

FINISH	SIZE INS (MM)	MIN. ORDER QTY	OUTER CARTON QTY	CODE
Dull Black	10 (250)	10	100	158 2503



Build your dream fence with the DuraPost[®] FenceBuilder App

DuraPost[®] is the revolutionary steel fence post which is widely becoming recognised as the go-to system for all domestic fence installations.



Our latest App enables homeowners to design their own fence in seconds and then email yourself the list of DuraPost[®] parts required to turn it into a reality.



Whether it's a DIY installation or you'd like help from a professional DuraPost[®] Trained Installer, take a look at durapost.co.uk for more information and advice.



We've also created a DuraPost[®] Trained Installer login making it simpler and quicker for fencing contractors across the UK and Ireland to quote whilst planning the project with their customer.

AVAILABLE ON APPLE AND ANDROID DEVICES



Download on the
App Store



GET IT ON
Google Play



Find out more information at: durapost.co.uk

USING THE APP IS SIMPLE

- 1 Choose whether to build-on-site fencing or pre-assembled panels
- 2 Choose between traditional wooden or composite fencing, the fence height and length and start building!
- 3 Then choose the desired DuraPost[®] post colour
- 4 Select which style of gravel board needed (and how many)
- 5 Want some added style? Customise the fence design with post caps, capping rail and cover strips
- 6 If the design includes corners, gates or adjoins a wall, select your requirements
- 7 Easily keep track of build lists and know what's needed for any project



Create an account in the DuraPost[®] FenceBuilder App and you'll be able to come back at any stage to view any previous build lists.



Map out everything you need for a project and an itemised product list will be automatically generated for you

FENCEMATE®

BY BIRKDALE



A COMPREHENSIVE RANGE OF FENCING + DECKING ACCESSORIES

141 DuraPost®

151 Post Concrete

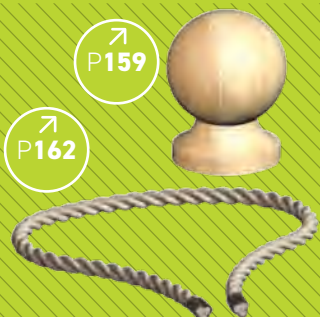
152 Post Support Systems

158 Decorative Post Caps & Finials

162 Decorative Rope & Fittings

166 Modular Railing System

168 Decking Accessories





DuraPost®

BY BIRKDALE



THE STYLISH, DURABLE FENCE POST SYSTEM

Our revolutionary steel fence post system, DuraPost® is lightweight and easy to install.



Why choose Durapost

Strong. Stylish. Durable.

DuraPost® is the stylish, secure and easy to maintain galvanised steel post system suitable for virtually any type of fencing.

With a wide range of colours, styles and with matching accessories, you can create a truly unique, long-lasting and stylish garden with DuraPost.

AVAILABLE IN FOUR COLOURS



ANTHRACITE GREY
RAL 7016



OLIVE GREY
RAL 7002

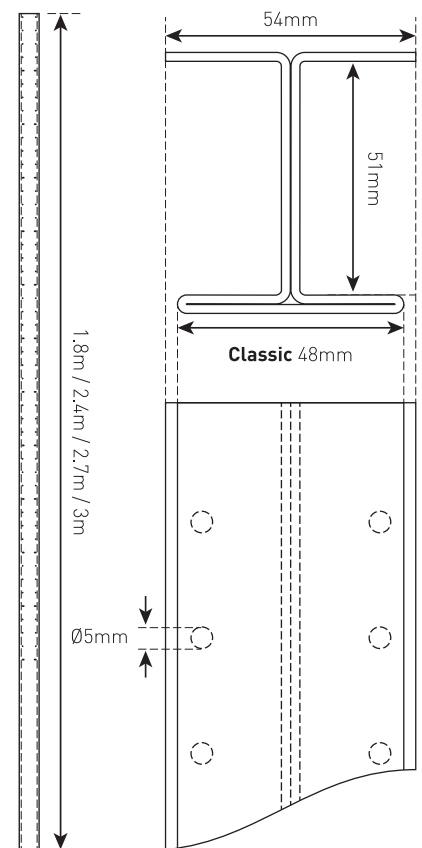


SEPIA BROWN
RAL 8014



GALVANISED STEEL

TECHNICAL SPECIFICATION



Patented GB2575681
Registered Design No 005518057

SYSTEM ACCESSORIES

COVER STRIPS



STEEL POST CAP



COMPOSITE GRAVEL BOARD



CAPPING RAIL



DURAPOST® FENCE POSTS

DuraPost® Posts

DuraPost®
BY BIRKDALE

DURAPOST® CLASSIC

Introducing our revolutionary cold rolled galvanised steel fencepost in our Classic size.

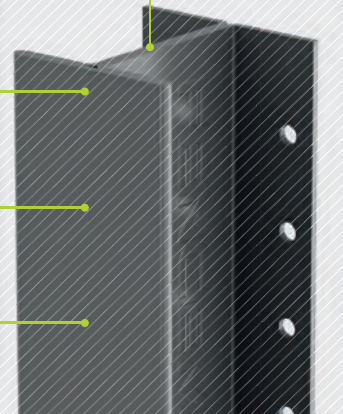
- Deep 48mm channel
- Available in four colours
- Guaranteed for up to 25 years
- Withstand winds of up to 110mph in line with standards BS EN 12839:1012 and BS EN 1794

Made from cold rolled galvanised steel

Will not rot, warp or crack like wood or concrete

More efficient to install saving time and money

Our DuraPost Classic weighs just 7.2kg



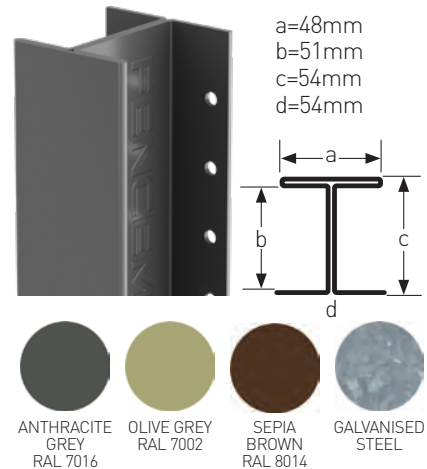
DuraPost® Classic

LENGTH (MM)	SIZE (MM) *	FINISH	BUNDLE QTY	CODE
1800	48 x 51	Galvanised	40	806 1801
1800	48 x 51	Anthracite Grey	40	806 180A
1800	48 x 51	Sepia Brown	40	806 180B
1800	48 x 51	Olive Grey	40	806 180G
2400	48 x 51	Galvanised	40	806 2401
2400	48 x 51	Anthracite Grey	40	806 240A
2400	48 x 51	Sepia Brown	40	806 240B
2400	48 x 51	Olive Grey	40	806 240G
2700	48 x 51	Galvanised	30	806 2701
2700	48 x 51	Anthracite Grey	30	806 270A
2700	48 x 51	Sepia Brown	30	806 270B
2700	48 x 51	Olive Grey	30	806 270G
3000	48 x 51	Galvanised	30	806 3051
3000	48 x 51	Anthracite Grey	30	806 305A
3000	48 x 51	Sepia Brown	30	806 305B
3000	48 x 51	Olive Grey	30	806 305G

* a x b.

1 pallet = Any 4 bundles. If less than a pallet quantity is ordered, surcharges apply. Gravel Board bundles may be used to make up pallet quantities.

Registered Design No 005518057-001. Patented GB2575681



DuraPost®

BY BIRKDALE

DURAPOST COMMERCIAL

BENEFITS

- 01 Strong:** Made from 2.5mm galvanised steel, Commercial DuraPost provides superior strength for higher fencing solutions
- 02 Scalable:** Suitable for fencing projects up to 4m above ground
- 03 Practical:** Designed for residential work and civil projects such as sound-proofing around supermarkets, petrol stations, takeaways, drive throughs and road-side fencing,

Patented
GB2576969

AVAILABLE COLOURS



ANTHRACITE GREY



OLIVE GREY

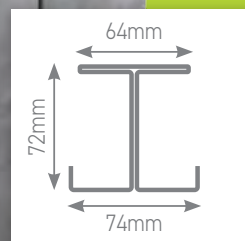


SEPIA BROWN



GALVANISED

NEW



DuraPost® Commercial Fence Post

LENGTH (MM)	SIZE (MM)	FINISH	MIN. ORDER QTY	CODE
2400	74 x 72.5	Galvanised	1	813 2401
3000	74 x 72.5	Galvanised	1	813 3001
3400	74 x 72.5	Galvanised	1	813 3401
4000	74 x 72.5	Galvanised	1	813 4001
5000	74 x 72.5	Galvanised	1	813 5001

For powder coated posts please contact us, available on quantity demand

NEW



GALVANISED
STEEL

Commercial post

DuraPost® Accessories

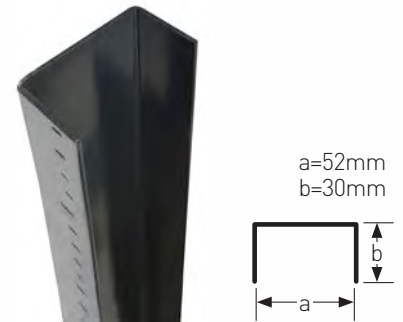
DuraPost® U Channel

For use as a wall plate or adaptor for corner post

LENGTH (MM)	SIZE (MM) *	FINISH	MIN ORDER QTY	PACK QTY	CODE
1800	52 x 30	Galvanised	1	10	807 150I
1800	52 x 30	Anthracite Grey	1	10	807 150A
1800	52 x 30	Sepia Brown	1	10	807 150B
1800	52 x 30	Olive Grey	1	10	807 150G
2100	52 x 30	Galvanised	1	10	807 050I
2100	52 x 30	Anthracite Grey	1	10	807 050A
2100	52 x 30	Sepia Brown	1	10	807 050B
2100	52 x 30	Olive Grey	1	10	807 050G
3000	52 x 30	Galvanised	1	10	807 350I
3000	52 x 30	Anthracite Grey	1	10	807 350A
3000	52 x 30	Sepia Brown	1	10	807 350B
3000	52 x 30	Olive Grey	1	10	807 350G

* a x b

DuraPost® U Channels can be fixed to any side of the gate/corner post (page 144) or used as a wall plate to start a continuous run of fencing. For suitable fixings see page 150



DuraPost® Cover Strip for Classic Posts

- Used to conceal the fixings on the rear of the post
- Added security as there is no access to the fixings

LENGTH (MM)	FINISH	MIN. ORDER QTY	CODE
2100	Anthracite Grey	10	806 921A
2100	Sepia Brown	10	806 921B
2100	Olive Grey	10	806 921G

Cover strips can be cut to size
Bungs are included



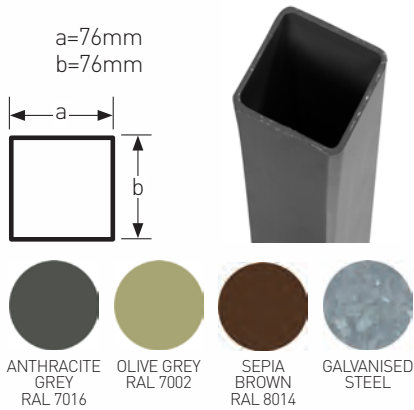
DuraPost® Cover Strip for U Channels

LENGTH (MM)	FINISH	MIN. ORDER QTY	CODE
2100	Anthracite Grey	10	806 821A
2100	Sepia Brown	10	806 821B
2100	Olive Grey	10	806 821G

Cover strips can be cut to size
Bungs are included



DuraPost® Gate Post/Corner Post



LENGTH (MM)	SIZE INS (MM) *	FINISH	MIN. ORDER QTY	CODE
1800	3" x 3" (76 x 76)	Galvanised	1	807 1801
1800	3" x 3" (76 x 76)	Anthracite Grey	1	807 180A
1800	3" x 3" (76 x 76)	Sepia Brown	1	807 180B
1800	3" x 3" (76 x 76)	Olive Grey	1	807 180G
2400	3" x 3" (76 x 76)	Galvanised	1	807 2401
2400	3" x 3" (76 x 76)	Anthracite Grey	1	807 240A
2400	3" x 3" (76 x 76)	Sepia Brown	1	807 240B
2400	3" x 3" (76 x 76)	Olive Grey	1	807 240G
3000	3" x 3" (76 x 76)	Galvanised	1	807 3001
3000	3" x 3" (76 x 76)	Anthracite Grey	1	807 300A
3000	3" x 3" (76 x 76)	Sepia Brown	1	807 300B
3000	3" x 3" (76 x 76)	Olive Grey	1	807 300G

* a x b. DuraPost® U Channels can be fixed to any side to allow for continuation of the fence

DuraPost®

BY BIRKDALE

DURAPOST ALUMINIUM GATE

The DuraPost® Aluminium Gate is a versatile addition to any fencing project. With an adjustable width and height, you can tweak the frame on-site which means that there's no need to go back and forth measuring up and the ability to switch and change products depending on your design makes this a unique product. You can fit and install this gate to a DuraPost post or a standard timber post.

AVAILABLE TO ORDER APRIL 2021

Frame Slam Kit Lock & Hinge Set



AVAILABLE COLOURS

Anthracite Grey Olive Grey Sepia Brown



NEW



COMPLETE THE LOOK

*can be fixed to a timber post



Infill Panels

To complete the pictured gate

Infill Reducer

Necessary when using alternatives to infill panels

DuraPosts

Get the perfect look with DuraPost posts

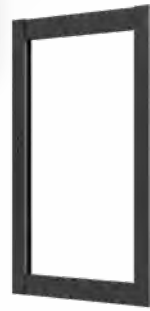
Post Caps

Finish with matching Post Caps

DuraPost® Aluminium Gate Frame

Required to create our DuraPost Aluminium Gate. Width and Height can be cut to size with a maximum opening of 1765mm x 1300mm (h x w)

SIZE (MM)	FINISH	MIN. ORDER QTY	CODE
1765 x 1300	Anthracite Grey	1	814 100A
1765 x 1300	Sepia Brown	1	814 100B
1765 x 1300	Olive Grey	1	814 100G



DuraPost® Gate Slam Kit

SIZE (MM)	FINISH	MIN. ORDER QTY	CODE
1760 x 77 x 47	Anthracite Grey	1	814 101A
1760 x 77 x 47	Sepia Brown	1	814 101B
1760 x 77 x 47	Olive Grey	1	814 101G



DuraPost® In-Fill Panel

Optional centre panels for our DuraPost Aluminium Gate Frame

SIZE (MM)	FINISH	MIN. ORDER QTY	CODE
1000 x 150 x 50	Anthracite Grey	1	814 120A
1000 x 150 x 50	Sepia Brown	1	814 120B
1000 x 150 x 50	Olive Grey	1	814 120G



DuraPost® Gate In-Fill Reducer for 20mm Panel

Optional reducer when not using DuraPost In-Fill Panels for our DuraPost Aluminium Gate

SIZE (MM)	FINISH	MIN. ORDER QTY	CODE
49.5 x 20	Anthracite Grey	1	814 121A
49.5 x 20	Sepia Brown	1	814 121B
49.5 x 20	Olive Grey	1	814 121G



DuraPost® Aluminium Gate Lock and Hinge Set

- Set includes:
- 72mm centre, 60mm back set lock
- 2 x 165mm x 60mm stainless steel lift off hinge
- 72mm narrow style back plate handle

FINISH	MIN. ORDER QTY	CODE
Stainless Steel	1	814 2000



NEW

DuraPost®
BY BIRKDALE

DURAPOST COMPOSITE PANELS

Our DuraPost Composite Panels are a strong and durable alternative to timber. Made from up to 70% recycled material, this wood/plastic composite is easy to install, adjustable on-site and once installed, maintenance-free.

CREATE A DURAPOST VERTICAL HIT AND MISS PANEL

DuraPost Vertical Fence Panel
Includes 17x115mm and 2x30mm composite boards

Horizontal Cross Rails
Create a strong frame for your panel

DuraPost Classic
Made from cold rolled galvanised steel

AVAILABLE TO ORDER FROM SUMMER 2021

AVAILABLE COLOURS

Anthracite Grey

Olive Grey

Sepia Brown

COMPLETE THE LOOK

Post Caps

Gravel Board

Capping Rail

Cover Strips

* Speak to our team to find out about our Horizontal Fence Panels

FENCEMATE® FENCING & DECKING ACCESSORIES

DuraPost® Vertical Composite Panel

Fence panel kit includes 17 115mm composite boards and 2 30mm composite boards

NEW



HEIGHT FT (MM)	FINISH	MIN. ORDER QTY	CODE
6' (1830)	Anthracite Grey	1	815 183A
6' (1830)	Sepia Brown	1	815 183B
6' (1830)	Olive Grey	1	815 183G
5' 6" (1676)	Anthracite Grey	1	815 167A
5' 6" (1676)	Sepia Brown	1	815 167B
5' 6" (1676)	Olive Grey	1	815 167G
3' (915)	Anthracite Grey	1	815 091A
3' (915)	Sepia Brown	1	815 091B
3' (915)	Olive Grey	1	815 091G

All boards are 6' wide and 2" thick

DuraPost® Horizontal Composite Panel

Fence panel kit includes 9 115mm composite boards and 18 30mm composite boards

HEIGHT FT (MM)	FINISH	MIN. ORDER QTY	CODE
6' (1830)	Anthracite Grey	1	825 167A
6' (1830)	Sepia Brown	1	825 167B
6' (1830)	Olive Grey	1	825 167G

All boards are 6' wide and 2" thick



NEW



DuraPost® Horizontal Cross Rails

This conversion kit is recommended for a DuraPost Horizontal or Vertical Fence Panel

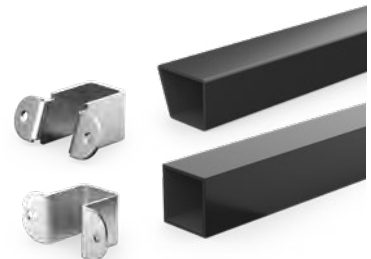
SIZE (MM)	FINISH	MIN. ORDER QTY	CODE
1830 x 35 x 28	Anthracite Grey	1	825 183A
1830 x 35 x 28	Sepia Brown	1	825 183B
1830 x 35 x 28	Olive Grey	1	825 183G



DuraPost® 2' 5" Conversion Kit for Horizontal Panels

Conversion kit comprised of aluminium tube with fixing brackets which adds 3 vertical posts to the existing horizontal cross rails. This conversion kit is recommended for a DuraPost Horizontal Fence Panel

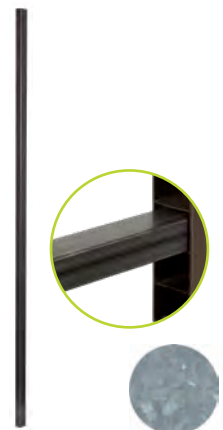
SIZE (MM)	FINISH	MIN. ORDER QTY	CODE
775 x 28 x 28	Anthracite Grey	1	815 073A
775 x 28 x 28	Sepia Brown	1	815 073B
775 x 28 x 28	Olive Grey	1	815 073G



DuraPost® Reinforcement Box Section for Composite Gravel Board

LENGTH (MM)	SIZE (MM)	FINISH	MIN. ORDER QTY	CODE
1800	40 x 30	Galvanised	1	806 1101
2440	40 x 30	Galvanised	1	806 1111

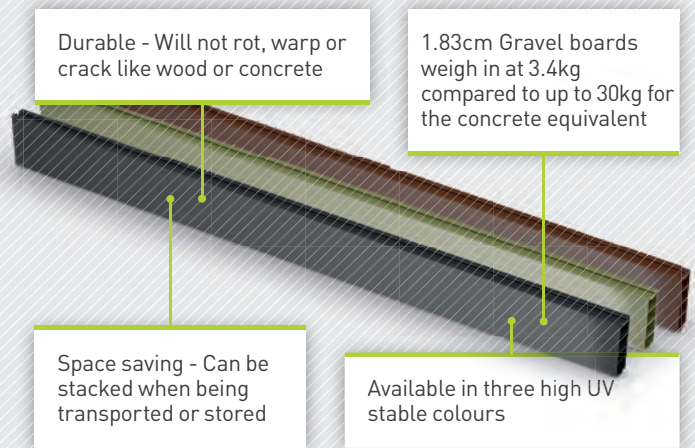
* composite gravel board not included
1 Bar = 150kg
2 Bar = 250kg



DuraPost®
BY BIRKDALE

**DURAPOST®
COMPOSITE
GRAVEL BOARDS**

Designed to complement the DuraPost® system, the composite gravel board is a lightweight alternative to wood or concrete.



DuraPost® Composite Gravel Board



LENGTH (MM)	SIZE (MM)	FINISH	BUNDLE QTY	PALLET QTY	CODE
1830	150 x 50	Anthracite Grey	30	120	806 183A
1830	150 x 50	Sepia Brown	30	120	806 183B
1830	150 x 50	Olive Grey	30	120	806 183G
2440	150 x 50	Anthracite Grey	30	120	806 245A
2440	150 x 50	Sepia Brown	30	120	806 245B
2440	150 x 50	Olive Grey	30	120	806 245G
3000	150 x 50	Anthracite Grey	30	120	806 300A
3000	150 x 50	Sepia Brown	30	120	806 300B
3000	150 x 50	Olive Grey	30	120	806 300G

DuraPost® Z-Board



LENGTH (MM)	SIZE (MM)	FINISH	MIN. ORDER QTY	PALLET QTY	CODE
1830	150 x 50	Anthracite Grey	5	150	812 183A
1830	150 x 50	Sepia Brown	5	150	812 183B
1830	150 x 50	Olive Grey	5	150	812 183G
2400	150 x 50	Anthracite Grey	5	150	812 240A
2400	150 x 50	Sepia Brown	5	150	812 240B
2400	150 x 50	Olive Grey	5	150	812 240G
3000	150 x 50	Anthracite Grey	5	150	812 300A
3000	150 x 50	Sepia Brown	5	150	812 300B
3000	150 x 50	Olive Grey	5	150	812 300G
1830	300 x 50	Anthracite Grey	5	150	822 183A
1830	300 x 50	Sepia Brown	5	150	822 183B
1830	300 x 50	Olive Grey	5	150	822 183G
2400	300 x 50	Anthracite Grey	5	150	822 240A
2400	300 x 50	Sepia Brown	5	150	822 240B
2400	300 x 50	Olive Grey	5	150	822 240G
3000	300 x 50	Anthracite Grey	5	150	822 300A
3000	300 x 50	Sepia Brown	5	150	822 300B
3000	300 x 50	Olive Grey	5	150	822 300G

board

DuraPost® Rail Packer

SIZE (MM)	FINISH	MIN. ORDER QTY	CODE
60 x 20	Black	Bag of 10	808 0213

For use with composite fencing using stacked gravel boards to fit in the groove to allow you to fix the other capping clips



DuraPost® Post Cap with Bracket

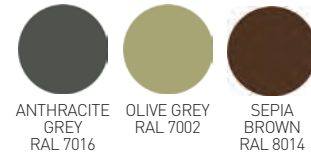
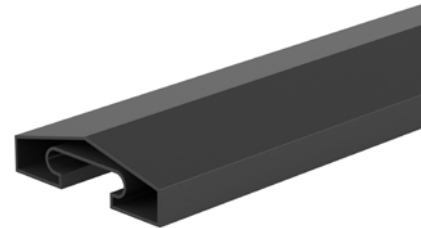
SIZE (MM)	FINISH	MIN. ORDER QTY	CODE
75 x 75	Galvanised	40	739 0751
75 x 75	Anthracite Grey	40	739 075A
75 x 75	Sepia Brown	40	739 075B
75 x 75	Olive Grey	40	739 075G

Fixings included



DuraPost® Capping Rail

LENGTH (MM)	SIZE (MM)	FINISH	MIN. ORDER QTY	CODE
1800	65	Anthracite Grey	1	808 165A
1800	65	Sepia Brown	1	808 165B
1800	65	Olive Grey	1	808 165G
2450	65	Anthracite Grey	1	808 265A
2450	65	Sepia Brown	1	808 265B
2450	65	Olive Grey	1	808 265G
3000	65	Anthracite Grey	1	808 365A
3000	65	Sepia Brown	1	808 365B
3000	65	Olive Grey	1	808 365G



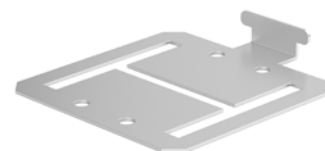
DuraPost® Capping Rail Clip

SIZE (MM)	FINISH	MIN. ORDER QTY	CODE
20	BZP	Bag of 10	808 0202
20	Black	Bag of 10	808 0203



DuraPost® Capping Rail In-Line Bracket

SIZE (MM)	FINISH	MIN. ORDER QTY	CODE
75 x 75 x 1	BZP	Bag of 10	808 0752



DuraPost® Bolt Down Post Support



SIZE (MM)	FINISH	MIN. ORDER QTY	CODE
150 x 150 x 80	Galvanised	10	806 1501

DuraPost® Touch-up Spray



VOLUME	FINISH	MIN. ORDER QTY	CODE
400ml	Anthracite Grey	1	806 040A
400ml	Sepia Brown	1	806 040B
400ml	Olive Grey	1	805 040G

DuraPost® Fixings

Pan Head Self Drilling Screw for DuraPost®



SIZE (MM)	FINISH	MIN. ORDER QTY	CODE
4.8 x 16	Ruspert Silver	Bag of 10	471 1161

Ideal for use with DuraPost® U Channel and Post Caps.
Bulk quantities available

Countersunk Self Drilling Screw for DuraPost®



SIZE (MM)	FINISH	MIN. ORDER QTY	CODE
5.5 x 55	Ruspert Silver	Bag of 10	471 1551

Ideal for securing directly to the gate/corner post.
Bulk quantities available

Pan Head Timber Screw for DuraPost®



NEW



SIZE (MM)	FINISH	MIN. ORDER QTY	CODE
Bag of 10			
4 x 40	Ruspert Silver	1 Bag	334 10401
4 x 40	Anthracite Grey	1 Bag	334 1040A
4 x 40	Sepia Brown	1 Bag	334 1040B
4 x 40	Olive Grey	1 Bag	334 1040G
Box of 200			
4 x 40	Ruspert Silver	1 Box	334 00401
4 x 40	Anthracite Grey	1 Box	334 0040A
4 x 40	Sepia Brown	1 Box	334 0040B
4 x 40	Olive Grey	1 Box	334 0040G

Ideal for use with DuraPost®

FENCEMATE® POST CONCRETE

FENCEMATE®
BY BIRKDALE

FAST SET POST CONCRETE

FREE 3 day delivery as standard. We can upgrade to next day delivery, please call to enquire for delivery prices in your area.

- Simply add water and the formula sets within 5-10 minutes
- Special prices available for multiple pallet quantities or full loads (23 pallets)



Waterproof, brick shaped, recyclable bags for neat and easy yard storage - stack our Premium range four pallets high!

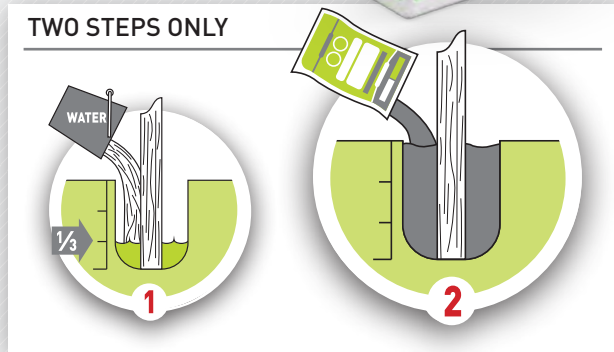
Premium Fine aggregate

Premium Coarse aggregate

Standard Coarse aggregate



TWO STEPS ONLY



FENCEMATE® Fast Set Post Concrete

DESC	BAG WEIGHT	MIN. ORDER QTY	PALLET QTY	CODE
Premium Fine	20kg	1 Pallet	60 Bags	279 1000
Premium Coarse	20kg	1 Pallet	60 Bags	279 2000
Standard Coarse	20kg	1 Pallet	70 Bags	279 2000T



FENCEMATE® POST SUPPORT SYSTEMS

Swift Clamp Post Supports

FENCEMATE®
BY BIRKDALE

SWIFT CLAMP DRIVE-IN POST SUPPORT

Suitable for most ground conditions, with a wide range of sizes to fit all common timber posts including prepared timber.

- Suitable for fence posts, decking, pergolas, gazebos, carports, bird tables and much more
- Robust construction ensures they will drive into very hard ground with ease
- Available in galvanised and epoxy brown finish

450mm
OR
600mm
OR
750mm

Effective clamp system ensuring posts are securely supported

Holes for timber screws to secure post

Constructed with four fins

TIP
Use a chisel end crowbar to create a pilot hole
See page 204

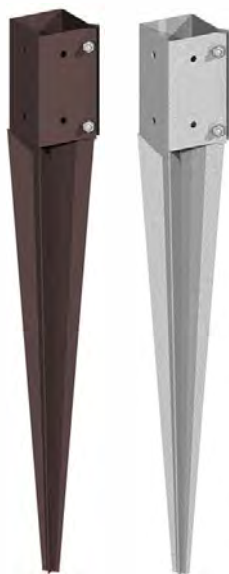
PREMIUM
QUALITY

FIXINGS
INCLUDED

BULK
PACKED

FENCEMATE® Swift Clamp Drive-In Post Support

- These supports are suitable for most ground conditions and the wide range of sizes fits all common timber posts
- Robust construction, including four fins/blades ensures they will drive into very hard ground with ease
- The effective clamp system holds the post securely in the socket



BEST
SELLER ★

BEST
SELLER ★

**HOLD FAST
POST
SUPPORTS
ON PAGE 155!**

FINISH	LENGTH INS (MM)	SUITABLE FOR	MIN. ORDER QTY	CODE
Epoxy Brown	18 (450)	2" posts **	10	260 0503
Epoxy Brown	24 (600)	2¾" posts*	10	260 0703
Epoxy Brown	24 (600)	3" posts	10	260 0753
Epoxy Brown	30 (750)	3" posts	10	260 1753
Epoxy Brown	24 (600)	3½" posts*	8	260 0903
Epoxy Brown	30 (750)	4" posts	8	260 1003
Galvanised	18 (450)	2" posts **	10	260 0501
Galvanised	24 (600)	2¾" posts*	10	260 0701
Galvanised	24 (600)	3" posts	10	260 0751
Galvanised	30 (750)	3" posts	10	260 1751
Galvanised	24 (600)	3½" posts*	8	260 0901
Galvanised	30 (750)	4" posts	8	260 1001

*For use with finished size timber posts

**Post supports for 2" posts do not have swift clamp system

FENCEMATE® Swift Clamp Repair Spur

- Make light work of replacing a rotten timber post in a sound concrete base
- The repair spur drives between the old timber and the concrete base to provide a secure post support
- The effective clamp system ensures the posts are securely held in the socket

FINISH	SUITABLE FOR	MIN. ORDER QTY	CODE
Epoxy Brown	3" posts	10	261 0753
Epoxy Brown	4" posts	10	261 1003
Galvanised	3" posts	10	261 0751
Galvanised	4" posts	10	261 1001



FENCEMATE®
BY BIRKDALE

Repair Spur

A unique metal profile ensures the FENCEMATE® repair spur is strong, easy to install and designed to prevent further damage to existing wooden posts. Designed for use with wooden posts.

Flexes to absorb the load preventing any further damage from occurring

Varied hole spacing provides flexibility when fixing the repair spur

Unique metal profile provides maximum strength

Slim line profile makes this easier to dig around and secure to the post



DuraPost® Repair Spur & Cap

LENGTH (MM)	SIZE (MM) *	FINISH	MIN. ORDER QTY	CODE
1000	75	Galvanised	1	806 0011

* a x b



FENCEMATE®
BY BIRKDALE

**SWIFT CLAMP
BOLT-DOWN
POST SUPPORT**

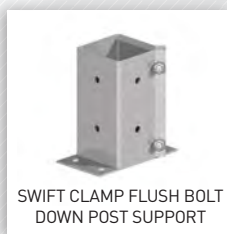
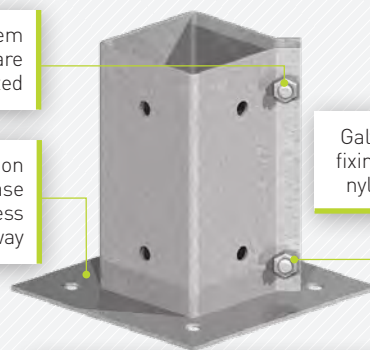
Designed for fixing posts to any solid surface that will accept fixings; such as concrete bases, timber decking or walls

- Domestic and light commercial use only
- Robust construction
- Available with flush sides for fixing directly next to a vertical surface
- Available in galvanised or epoxy brown finish

Effective clamp system ensuring posts are securely supported

Features hole on underside of base plate to allow excess water to drain away

Galvanised fixings with nyloc nuts



SWIFT CLAMP FLUSH BOLT DOWN POST SUPPORT

See page **244** for M10 Masonry Bolts to use with bolt down post supports



FENCEMATE® Swift Clamp Bolt Down Post Support

Suitable for fencing, decking, carports and fixing to walls.



BEST SELLER ★

BEST SELLER ★

SEE PAGE 155
FOR MORE POST
SUPPORTS!

FINISH	SUITABLE FOR	MIN. ORDER QTY	CODE
Epoxy Brown	2" posts**	10	262 0503
Epoxy Brown	2¾" posts*	10	262 0703
Epoxy Brown	3" posts	10	262 0753
Epoxy Brown	3½" posts*	10	262 0903
Epoxy Brown	4" posts	10	262 1003
Epoxy Brown	6" posts	6	262 1503
Galvanised	2" posts**	10	262 0501
Galvanised	2¾" posts*	10	262 0701
Galvanised	3" posts	10	262 0751
Galvanised	3½" posts*	10	262 0901
Galvanised	4" posts	10	262 1001
Galvanised	6" posts	6	262 1501

*For use with finished size timber posts.

**Post supports for 2" posts do not have swift clamp system.

FENCEMATE® Swift Clamp Flush Bolt Down Post Support

- Designed for fixing posts directly next to a vertical surface, such as a wall
- The effective clamp system holds the post securely in the socket



FINISH	SUITABLE FOR	MIN. ORDER QTY	CODE
Epoxy Brown	3" posts	10	264 0753
Epoxy Brown	4" posts	10	264 1003
Galvanised	3" posts	10	264 0751
Galvanised	4" posts	10	264 1001

FENCEMATE® Swift Clamp Concrete-In Post Support

- This support is designed for use where conditions prevent the use of a drive in post support; such as very stoney or loose ground or areas of hardstanding
- The effective clamp system holds the post securely in the socket
- Suitable for fencing, decking and carports

FINISH	SUITABLE FOR	MIN. ORDER QTY	CODE
Epoxy Brown	3" posts	10	263 0753
Epoxy Brown	4" posts	10	263 1003
Galvanised	3" posts	10	263 0751
Galvanised	4" posts	10	263 1001



FENCEMATE® Swift Clamp Wall Mount Post Support

- Designed specifically for securing posts to the top of concrete or brick walls
- The effective clamp system holds the post securely in the socket
- Suitable for trellis or fencing up to 1.2m high

FINISH	SUITABLE FOR	MIN. ORDER QTY	CODE
Epoxy Brown	3" posts	10	268 0753
Galvanised	3" posts	10	268 0751



Hold Fast Post Supports

FENCEMATE® Hold Fast Drive-In Post Support

- These supports are suitable for most ground conditions
- Robust construction ensures they will drive into very hard ground with ease
- The effective ridge system holds the post securely in the socket
- Suitable for fence posts, decking, pergolas, gazebos, carports, bird tables and much more

FINISH	LENGTH INS (MM)	SUITABLE FOR	MIN. ORDER QTY	CODE
Epoxy Brown	24 (600)	3" posts	10	269 0753
Epoxy Brown	30 (750)	4" posts	8	269 1003
Galvanised	24 (600)	3" posts	10	269 0751
Galvanised	30 (750)	4" posts	8	269 1001



FOR DRIVE IN TOOLS, SEE PAGE 157

TIP

Use a chisel end crowbar to create a pilot hole
See page 204

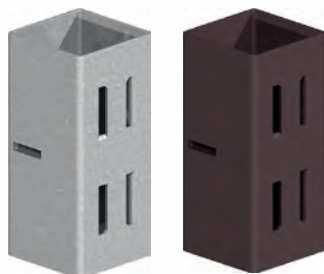
FENCEMATE® Hold Fast Bolt Down Post Support



- Designed for fixing posts to any hard surface that will accept fixings such as concrete bases, timber decking or walls
- Robust construction and the effective ridge system ensure posts are securely supported
- Suitable for fencing, decking and carports
- Domestic and light commercial use only

FINISH	SUITABLE FOR	MIN. ORDER QTY	CODE
Epoxy Brown	3" posts	10	271 0753
Epoxy Brown	4" posts	10	271 1003
Galvanised	3" posts	10	271 0751
Galvanised	4" posts	10	271 1001

FENCEMATE® Hold Fast Post Extender



- These effective extension sockets make light work of extending timber posts
- Sturdy and simple to install, they will extend 3" or 4" posts up to 1.2m long

FINISH	SUITABLE FOR	MIN. ORDER QTY	CODE
Epoxy Brown	3" posts	10	267 0753
Epoxy Brown	4" posts	10	267 1003
Galvanised	3" posts	10	267 0751
Galvanised	4" posts	10	267 1001

FENCEMATE® Ground Socket to Concrete-In



These robust ground sockets are ideal for supporting timber posts for decking or carports etc. and hold the timber above ground level to prevent the post from rotting

FINISH	SUITABLE FOR	MIN. ORDER QTY	CODE
Galvanised	4 - 6" posts	5	273 0001

Adjustable Bolt-Down Post Supports



FINISH	SIZE (MM)*	MIN. ORDER QTY	CODE
BZP	110 x 250	10	298 1102
BZP	80 x 250	10	298 0802

*Base plate x height

Concrete-In U Post Support

FINISH	SIZE (MM)	SUITABLE FOR	MIN. ORDER QTY	CODE
Galvanised	75	3" Post	10	296 0751
Galvanised	100	4" Post	10	296 1001



Bolt-Down U Post Support

FINISH	SIZE (MM)	SUITABLE FOR	MIN. ORDER QTY	CODE
Galvanised	75	3" Post	10	297 0751
Galvanised	100	4" Post	10	297 1001



FENCEMATE® Post Extender

- These simple cost-effective angle brackets allow any size of post to be extended up to 1m
- It is recommended that four are used on each post
- Suitable for extending posts for trellis and decorative panels

FINISH	SIZE INS (MM)	UNIT QTY	MIN. ORDER QTY	OUTER CARTON QTY	CODE
Pre-Galvanised	8 (200)	Pack of 4	10 Packs	30 Packs	267 2007



FENCEMATE® Fence Pin

- These sturdy pins are ideal for supporting path edging or border roll
- They drive effectively into most ground conditions
- Suitable for path edging, log roll, and fence base boards

FINISH	SIZE INS (MM)	MIN. ORDER QTY	OUTER CARTON QTY	CODE
Pre-Galvanised	18 (450)	10	50	266 4507



FENCEMATE® Drive-In Tool

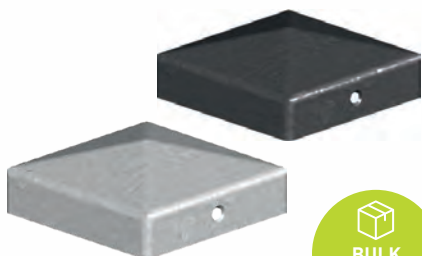
- This useful tool helps ensure FENCEMATE® Drive in Post Supports are installed safely and without damage
- Features metal plate on bottom for reinforcement
- Handle can be twisted to re-adjust positioning while support is going into the ground

SUITABLE FOR	MIN. ORDER QTY	CODE
Up to 3" posts	10	265 0753
4" posts	10	265 1003



FENCEMATE® DECORATIVE POST CAPS & FINIALS

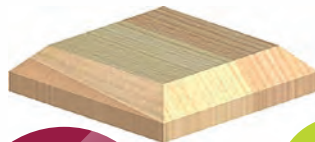
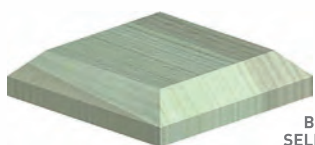
FENCEMATE® Metal Post Caps



Durable steel post cap, the perfect finishing touch for any post

FINISH	SUITABLE FOR	MIN. ORDER QTY	CODE
Premium Black	3" posts	25	728 0753
Premium Black	4" posts	25	729 1003
Galvanised	3" posts	25	728 0751
Galvanised	4" posts	25	729 1001

FENCEMATE® Wooden Post Cap



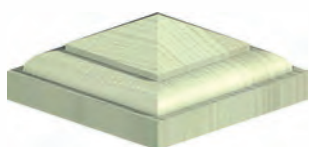
**PREMIUM
SANDED FINISH**
REQUEST A
SAMPLE FROM
YOUR ACCOUNT
MANAGER
TODAY!

Made from premium quality slow grown European timber, pressure treated to UC4. This results in a closer grain for a smoother finish - no splitting!

FINISH	SIZE (MM)	SUITABLE FOR	MIN. ORDER QTY	CODE
Brown Treated	96 x 96 x 23	3" posts	50	728 075B
Brown Treated	120 x 120 x 26	4" posts	50	729 100B
Brown Treated	96 x 120 x 23	4 x 3" posts	50	730 100B
Green Treated	96 x 96 x 23	3" posts	50	728 075G
Green Treated	120 x 120 x 26	4" posts	50	729 100G
Green Treated	96 x 120 x 23	4 x 3" posts	50	730 100G
Untreated	96 x 96 x 23	3" posts	50	728 0750
Untreated	120 x 120 x 26	4" posts	50	729 1000

Please note: 'Suitable for' size indicates size of compatible post; actual product is slightly larger - please take care when ordering

FENCEMATE® Wooden Post Temples



- Made from premium quality slow grown European timber, pressure treated to UC4
- Complete with double ended screws (fixed in the base)

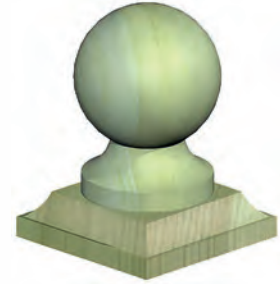
FINISH	SIZE (MM)	SUITABLE FOR	MIN. ORDER QTY	CODE
Green Treated	100 x 100 x 45	3" posts	50	731 075G
Green Treated	126 x 126 x 50	4" posts	50	731 100G
Untreated	126 x 126 x 50	4" posts	50	731 1000

Please note: 'Suitable for' size indicates size of compatible post; actual product is slightly larger - please take care when ordering

FENCEMATE® Wooden Ball & Collar Finial & Base Set

- Made from premium quality slow grown European timber, pressure treated to UC4
- Pre-packed with two finials, two bases, two double ended screws and four nails

FINISH	SUITABLE FOR	UNIT QTY	MIN. ORDER QTY	OUTER CARTON QTY	CODE
Green Treated	3" posts	Pack of 2	1 Pack	5 Packs	821 075G
Green Treated	4" posts	Pack of 2	1 Pack	5 Packs	821 100G

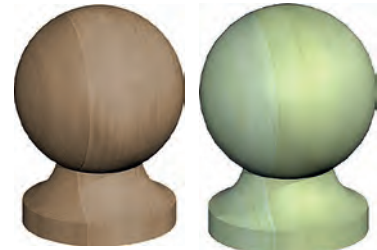


Wooden ball

FENCEMATE® Wooden Ball & Collar Finials

- Made from premium quality slow grown European timber, pressure treated to UC4
- Complete with double ended screws

FINISH	SUITABLE FOR	MIN. ORDER QTY	OUTER CARTON QTY	CODE
Brown Treated	3" posts	1	50	720 075B
Brown Treated	4" posts	1	50	720 100B
Green Treated	2" posts	1	50	720 050G
Green Treated	3" posts	1	50	720 075G
Green Treated	4" posts	1	50	720 100G
Untreated	3" posts	1	50	720 0750
Untreated	4" posts	1	50	720 1000



FENCEMATE® Wooden Midball Finials

- Made from premium quality slow grown European timber, pressure treated to UC4
- Complete with double ended screws

FINISH	SUITABLE FOR	MIN. ORDER QTY	OUTER CARTON QTY	CODE
Green Treated	4" posts	1	50	725 100G



FENCEMATE® Wooden Acorn Finial & Base Set



- Made from premium quality slow grown European timber, pressure treated to UC4
- Pre-packed with two finials, two bases, two double ended screws and four nails

FINISH	SUITABLE FOR	UNIT QTY	MIN. ORDER QTY	OUTER CARTON QTY	CODE
Green Treated	4" posts	Pack of 2	1 Pack	5 Packs	823 100G

FENCEMATE® Wooden Acorn Finials



- Made from premium quality slow grown European timber, pressure treated to UC4
- Complete with double ended screws

FINISH	SUITABLE FOR	MIN. ORDER QTY	OUTER CARTON QTY	CODE
Brown Treated	3" posts	1	50	722 075B
Brown Treated	4" posts	1	50	722 100B
Green Treated	3" posts	1	50	722 075G
Green Treated	4" posts	1	50	722 100G
Untreated	3" posts	1	50	722 0750
Untreated	4" posts	1	50	722 1000

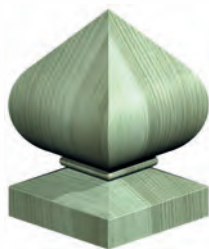
FENCEMATE® Wooden Midacorn Finials



- Made from premium quality slow grown European timber, pressure treated to UC4
- Complete with double ended screws

FINISH	SUITABLE FOR	MIN. ORDER QTY	OUTER CARTON QTY	CODE
Green Treated	4" posts	1	50	726 100G

FENCEMATE® Wooden Bishop Finials



- Made from premium quality slow grown European timber, pressure treated to UC4
- Complete with double ended screws

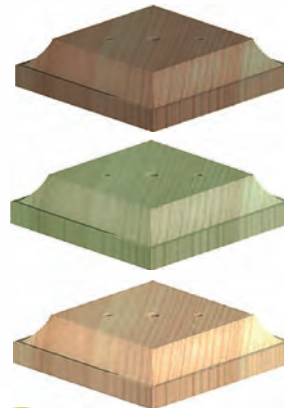
FINISH	SUITABLE FOR	MIN. ORDER QTY	OUTER CARTON QTY	CODE
Green Treated	3" posts	1	50	724 075G

FENCEMATE® Post Base for Wooden Finials

- Made from premium quality slow grown European timber, pressure treated to UC4
- Predrilled

FINISH	SUITABLE FOR	MIN. ORDER QTY	OUTER CARTON QTY	CODE
Brown Treated	3" posts	1	50	727 075B
Brown Treated	4" posts	1	50	727 100B
Brown Treated	5" posts	1	50	727 125B
Green Treated	2" posts	1	50	727 050G
Green Treated	3" posts	1	50	727 075G
Green Treated	4" posts	1	50	727 100G
Untreated	3" posts	1	50	727 0750

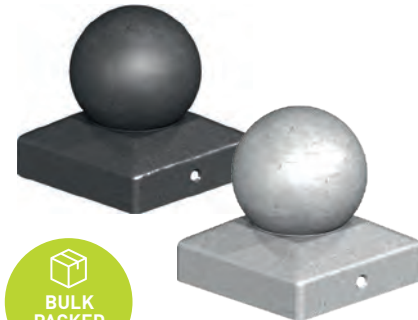
Please note: 'Suitable for' size indicates size of compatible post; actual product is slightly larger - please take care when ordering



FENCEMATE® Metal Ball Finials

Durable steel ball finial; the perfect decorative addition to any post

FINISH	SUITABLE FOR	MIN. ORDER QTY	CODE
Premium Black	3" posts	12	720 0753
Premium Black	4" posts	12	720 1003
Galvanised	3" posts	12	720 0751
Galvanised	4" posts	12	720 1001



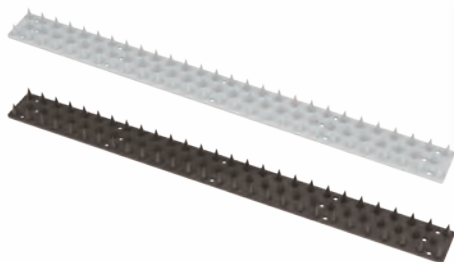
FENCEMATE® Double Ended Woodscrews

Used to secure finials to post bases

FINISH	LENGTH INS (MM)	MIN. ORDER QTY	OUTER CARTON QTY	CODE
BZP	2 (50)	50	2000	431 0000



FENCEMATE® Deterrent Spikes



- Effective, low cost deterrent against unwelcome intruders
- Triple row of pointed cones
- Moulded from polypropylene
- UV resistant
- Suitable for the top of fences, gates, walls and window sills



WARNING
THESE PREMISES ARE
PROTECTED BY AN
ANTI-INTRUDER DEVICE
PERSONAL INJURY MAY
RESULT FROM
UNAUTHORISED ACCESS

DESC	SIZE (MM)	FINISH	TOTAL LENGTH (M)	UNIT QTY	MIN. ORDER QTY	OUTER CARTON QTY	CODE
Deterrent Spikes	500 x 45	Grey	1	Pack of 2	5 Packs	-	848 5008
Deterrent Spikes	500 x 45	Brown	1	Pack of 2	5 Packs	-	848 5003
Deterrent Spikes*	500 x 45	Grey	5	Pack of 10	1 Pack	20 Packs	715 5008
Deterrent Spikes*	500 x 45	Brown	5	Pack of 10	1 Pack	20 Packs	715 5003
Warning Sign	85 x 55	White	-	Pack of 1	1 Pack	-	719 1100

*Deterrent Spikes packs include warning signs

FENCEMATE® DECORATIVE ROPE & FITTINGS

FENCEMATE®
BY BIRKDALE

3 STRAND MANILA ROPE

Made from natural plant materials native to the Philippines, bring a rustic finish to your garden.

- Available pre-packed, coiled or on a spool
- Range of decorative hooks and ends also available - see page 164
- When hanging manila rope between posts we recommend you allow an extra 10% length to compensate for natural shrinkage when wet



Pre-packed for easy display



FENCEMATE® Pre-Coiled 3 Strand Manila Rope

LENGTH (M)	DIAMETER (MM)	MIN. ORDER QTY	CODE
6	24	1	860 0240
6	28	1	860 0280
8	24	1	861 0240
8	28	1	861 0280
12	24	1	862 0240
12	28	1	862 0280



Please note: Manila rope will naturally shrink when wet. When hanging rope between posts, we recommend you allow an extra 10% length to compensate for this. When drilling holes in posts for rope, we recommend allowing up to 5mm more than the diameter of rope

FENCEMATE® 3 Strand Manila Rope

100m and 220m coils include rope cutting instructions and tape to bind the end of cut rope

LENGTH (M)	DIAMETER (MM)	PACK TYPE	MIN. ORDER QTY	CODE
35	24	SPOOL	1	323 0240
35	28	SPOOL	1	323 0280
50	32	COIL	1	323 0320
50	40	COIL	1	323 0400
100	24	COIL	1	321 0240
220	24	COIL	1	320 0240
220	28	COIL	1	320 0280
220	32	COIL	1	320 0320

Please note: Manila rope will naturally shrink when wet. When hanging rope between posts, we recommend you allow an extra 10% length to compensate for this. When drilling holes in posts for rope, we recommend allowing up to 5mm more than the diameter of rope



FENCEMATE® Pre-Coiled 3 Strand Polyhemp Rope

LENGTH (M)	DIAMETER (MM)	MIN. ORDER QTY	CODE
6	24	1	863 0240
6	28	1	863 0280
8	24	1	864 0240
8	28	1	864 0280
12	24	1	865 0240
12	28	1	865 0280



FENCEMATE® 3 Strand Polyhemp Rope

100m and 220m coils include rope cutting instructions and tape to bind the end of cut rope

LENGTH (M)	DIAMETER (MM)	PACK TYPE	MIN. ORDER QTY	CODE
35	24	SPOOL	1	329 0240
35	28	SPOOL	1	329 0280
35	32	SPOOL	1	329 0320
100	24	COIL	1	328 0240
100	28	COIL	1	328 0280
220	24	COIL	1	326 0240
220	28	COIL	1	326 0280



ALL OUR ROPE FITTINGS ARE SOLID BRASS



FENCEMATE® Decorative Ends for Rope Handrails - Bags

- Also includes tape to bind end of cut rope

FINISH	SUITABLE FOR	UNIT QTY	MIN. ORDER QTY	INNER CARTON QTY	CODE
Brass	24mm rope	Pack of 2	1 Pack	5 Packs	850 0245
Brass	28mm rope	Pack of 2	1 Pack	5 Packs	850 0285
Chrome on Brass	24mm rope	Pack of 2	1 Pack	5 Packs	850 024C
Chrome on Brass	28mm rope	Pack of 2	1 Pack	5 Packs	850 028C

FENCEMATE® Decorative Hook & Eye on Plate for Rope Handrails - Bags

- Also includes tape to bind end of cut rope



FINISH	SUITABLE FOR	MIN. ORDER QTY	INNER CARTON QTY	CODE
Brass	24mm rope	1	5	857 0245
Brass	28mm rope	1	5	857 0285
Chrome on Brass	24mm rope	1	5	857 024C
Chrome on Brass	28mm rope	1	5	857 028C

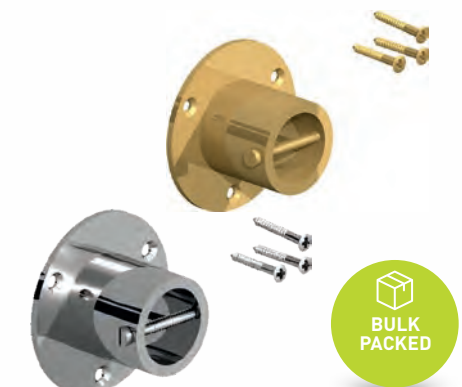
FENCEMATE® Decorative Brackets for Rope Handrails - Bags



FINISH	SUITABLE FOR	UNIT QTY	MIN. ORDER QTY	INNER CARTON QTY	CODE
Brass	24mm rope, 28mm rope	Pack of 2	1 Pack	5 Packs	858 0245
Chrome on Brass	24mm rope, 28mm rope	Pack of 2	1 Pack	5 Packs	858 024C

FENCEMATE® Decorative Ends for Rope Handrails - Bulk Packed

Bulk packed with all fixings included

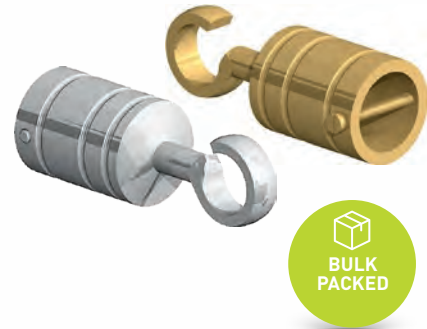


FINISH	SUITABLE FOR	MIN. ORDER QTY	OUTER CARTON QTY	CODE
Brass	24mm rope	10	100	351 0245
Brass	28mm rope	10	100	351 0285
Chrome on Brass	24mm rope	10	100	351 024C
Chrome on Brass	28mm rope	10	100	351 028C

FENCEMATE® Decorative Hooks for Rope Handrails - Bulk Packed

Bulk packed with all fixings included

FINISH	SUITABLE FOR	MIN. ORDER QTY	OUTER CARTON QTY	CODE
Brass	24mm rope	10	100	353 0245
Brass	28mm rope	10	100	353 0285
Chrome on Brass	24mm rope	10	100	353 024C
Chrome on Brass	28mm rope	10	100	353 028C



FENCEMATE® Decorative Eye on Plates for Rope Handrails - Bulk Packed

Bulk packed with all fixings included

FINISH	MIN. ORDER QTY	OUTER CARTON QTY	CODE
Brass	10	100	355 0005
Chrome on Brass	10	100	355 000C

To be used with FENCEMATE® Decorative Hooks



FENCEMATE® Decorative Brackets for Rope Handrails - Bulk Packed

Bulk packed with all fixings included

FINISH	SUITABLE FOR	MIN. ORDER QTY	OUTER CARTON QTY	CODE
Brass	24mm rope & 28mm rope	10	100	359 0245
Chrome on Brass	24mm rope & 28mm rope	10	100	359 024C



FENCEMATE® Rope Post

4 Way Weathered

FINISH	SIZE (MM)	SUITABLE FOR	DESC	MIN. ORDER QTY	PALLET QTY	CODE
Green Treated	980 x 75 x 75	Max rope diameter 28mm	Drilled	1	160	370 980G
Green Treated	980 x 75 x 75		No Hole	1	160	371 980G



FENCEMATE® MODULAR RAILING SYSTEM

FENCEMATE®
BY BIRKDALE

MODULAR RAILING SYSTEM

Unique railing system for simple and quick installation

- Pre-welded steel railing system
- Suitable for decking, patios, balconies and a range of surfaces
- Clean, classic appearance
- Coated with a special multi layered finish that encompasses a premium powder coating loaded with UV inhibitors and a heavy zinc galvanisation treatment
- 15 year guarantee

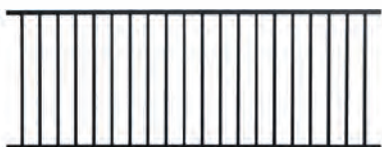


FENCEMATE® Modular Railing System - Welded Panels

FINISH	SIZE (MM)	MIN. ORDER QTY	PALLET QTY	CODE
Black	2375 x 700**	1	50	823 2443
Black	2375 x 863**	1	50	824 2443
Black	2375 x 1020**	1	50	825 2443

*Actual size of railing ('middle of post to middle of post' width is 1820mm)

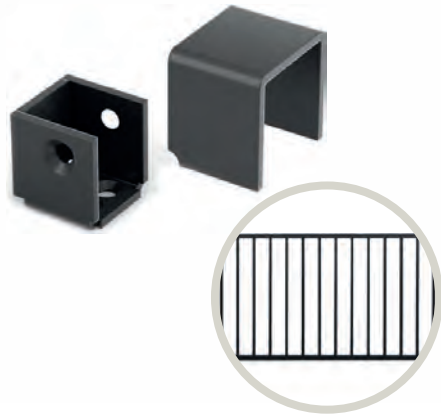
**Actual size of railing ('middle of post to middle of post' width is 2440mm)



FENCEMATE® Modular Railing System - Fixing Brackets

- For use with Modular Railing Panels
- Four brackets required per panel

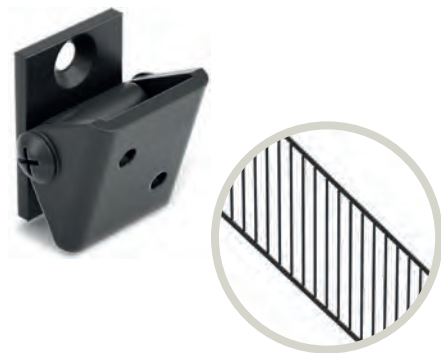
FINISH	SIZE INS (MM)	DESC	UNIT QTY	MIN. ORDER QTY	CODE
Black	1 (25)	Standard	Pack of 4	1 Pack	829 0033
Black	1¼ (30)	For Accent Panel Rail Only	Pack of 4	1 Pack	829 0063



FENCEMATE® Modular Railing System - Angle Brackets

- For use with Adjustable Modular Railing Panels
- Four brackets required per panel
- You also need to purchase 4 fixing brackets per railing as above (8290033)

FINISH	SIZE INS (MM)	DESC	UNIT QTY	MIN. ORDER QTY	CODE
Black	1 (25)	Standard	Pack of 4	1 Pack	829 0043
Black	1¼ (30)	For Accent Panel Rail Only	Pack of 4	1 Pack	829 0073



FENCEMATE® Modular Railing System - Gate Assembly Kit

Cut another length of Modular Railing Panel and create a gate using this kit

FINISH	SIZE INS (MM)	MIN. ORDER QTY	PALLET QTY	CODE
Black	40 (1000)	1	50	829 0093

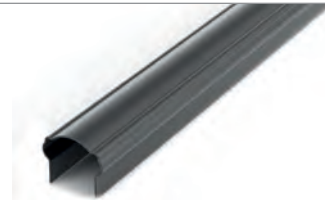
Please note: assembly kit only - gate panel not included



FENCEMATE® Modular Railing System - Accent Top Hand Rail

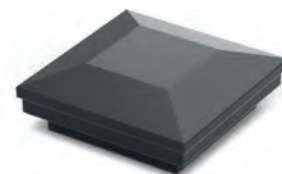
FINISH	SIZE (MM)	MIN. ORDER QTY	CODE
Black	2375*	1	830 2443

*Actual size of railing ('middle of post to middle of post' width is 2440mm)



FENCEMATE® Modular Railing System - Flat Pyramid Post Cap

FINISH	SIZE INS (MM)	MIN. ORDER QTY	CODE
Black	3 x 3 (75 x 75)	1	826 1253



FENCEMATE® DECORATIVE DECKING ACCESSORIES

FENCEMATE®
BY BIRKDALE

METAL DECKING PANELS

Our metal decking panels are hot dip galvanised then epoxy black powder coated for a great rust resistant finish.



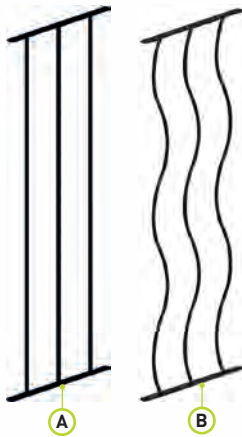
CURVED

STRAIGHT

FENCEMATE® Metal Decking Panels

DESC	FINISH	SIZE (MM)*	MIN. ORDER QTY	OUTER CARTON QTY	CODE
Straight (A)	Premium Black	770 x 280	4	12	810 0003
Curved (B)	Premium Black	770 x 280	4	12	811 0003

*Height x width
Total span of 4 panels = 1120mm



FENCEMATE® FENCING & DECKING ACCESSORIES

FENCEMATE®
BY BIRKDALE

Merchandising stands

Discover one of the largest ranges of post support systems on the market!

T 0345 450 9000 **E** mail@birkdalsales.com



FENCEMATE
BY BIRKDALE

ALUMINIUM DECKING SPINDLES



ARC

CLASSIC

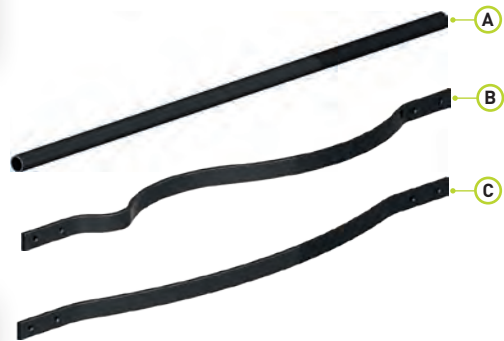
BAROQUE

FENCEMATE® Aluminium Decking Spindle

- Premium aluminium construction for greater corrosion resistance
- Matching black fixings included

DESC	FINISH	SIZE (MM)	MIN. ORDER QTY	OUTER CARTON QTY	CODE
Classic (A)	Black	660	10	210	820 0010
Classic (A)	Black	800	10	180	820 0020
Baroque (B)	Black	820	5	75	820 0070
Arc (C)	Black	800	5	75	820 0080

Please note: 10 spindles cover 1.2m



FENCEMATE® Spindle Connectors

For use with FENCEMATE® Classic Spindles

DESC	FINISH	UNIT QTY	MIN. ORDER QTY	CODE
Straight (A)	Black	Pack of 20	1 Pack	820 0030
Stairs (B)*	Black	Pack of 20	1 Pack	820 0040

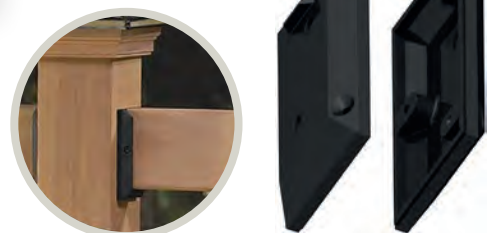
Please note: 2 connectors required per spindle; 1 pack covers 1.2m
*Up to 45°



FENCEMATE® Railing Connectors

- A smart and easy solution for fixing top and bottom rails to newel posts
- Fixings included

FINISH	SIZE (MM)	UNIT QTY	MIN. ORDER QTY	CODE
Plastic	40 x 75	Pack of 2	1 Pack	819 0000

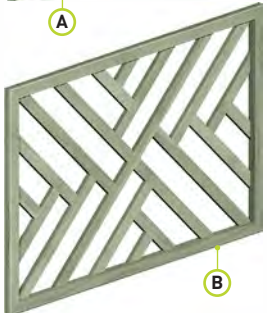


FENCEMATE® Wooden Decking Panels

- Made from premium quality slow grown European timber, pressure treated to UC4
- Constructed using stainless steel fixings



A



B

BEST
SELLER



DESC	FINISH	SIZE (MM)	MIN. ORDER QTY	PALLET QTY	CODE
Burst of Sunshine (A)	Green Treated	1130 x 760	32	32	755 000G
Contemporary (B)	Green Treated	1130 x 760	32	32	755001G

FENCEMATE® Wooden Decking Spindle

Made from premium quality slow grown European timber, pressure treated to UC4



A



B

DESC	FINISH	SIZE (MM)	MIN. ORDER QTY	PALLET QTY	CODE
Square (A)	Green Treated	895x40x40	10	750	756 000G
Modern (B)	Green Treated	895x40x40	10	750	756 002G

FENCEMATE® Stop Chamfered Wooden Decking Spindle

Made from premium quality slow grown European timber, pressure treated to UC4



A



B

DESC	FINISH	SIZE (MM)	MIN. ORDER QTY	PALLET QTY	CODE
Plain (A)	Green Treated	895 x 40 x 40	10	750	756 003G
Fluted (B)	Green Treated	895 x 40 x 40	10	750	756 004G

FENCEMATE® Wooden Newel Post

Made from premium quality slow grown European timber, pressure treated to UC4

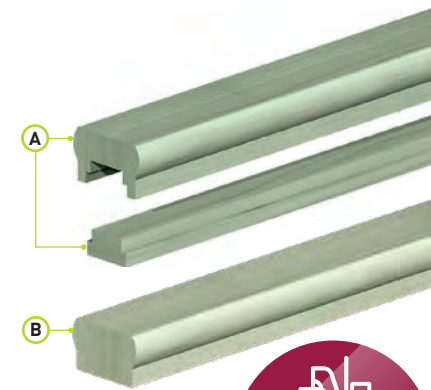
DESC	FINISH	SIZE (MM)	MIN. ORDER QTY	PALLET QTY	CODE
Square	Green Treated	1300 x 80 x 80	4	130	757 000G



FENCEMATE® Wooden Hand Rail & Base Rail for Decking

Made from premium quality slow grown European timber, pressure treated to UC4. To suit 35mm and 40mm spindles

DESC	FINISH	LENGTH (M)	MIN. ORDER QTY	PALLET QTY	CODE
Hand Rail (A)	Green Treated	1.8	10	225	758 000G
Hand Rail (A)	Green Treated	2.4	10	225	758 002G
Base Rail (B)	Green Treated	1.8	10	225	758 001G
Base Rail (B)	Green Treated	2.4	10	225	758 003G



FENCEMATE® Wooden Post

Made from premium quality slow grown European timber, pressure treated to UC4

FINISH	SIZE (MM)	MIN. ORDER QTY	PALLET QTY	CODE
Green Treated	1500 x 100 x 100	1	120	824 125G



FENCEMATE® Base Plate for Wooden Post



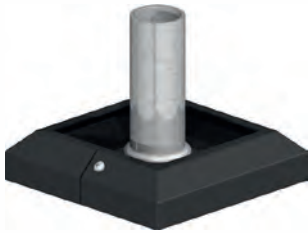
**BEST
SELLER** ★

Use with FENCEMATE® Wooden Post. A 32mm drill bit is needed to drill a hole up the centre of your post. Fixings included

FINISH	SUITABLE FOR	MIN. ORDER QTY	OUTER CARTON QTY	CODE
Epoxy Black	3 - 3¾" posts	10	20	829 0053

FENCEMATE® Metal Cover for Base Plate

Use with FENCEMATE® Base Plate for Wooden Post



FINISH	SUITABLE FOR	MIN. ORDER QTY	CODE
Black	3" posts	10	829 7603
Black	3¼" posts	10	829 8003
Black	3¾" posts	10	829 9603

Base plate not included

FENCEMATE® Wood Bore Tool for Base Plate



SIZE (MM)	CODE
32	SPO 0032

**ALUMINIUM
ANTI-SLIP PLATE**

The perfect safety solution for decks, steps and walkways

- Made from rust resistant aluminium, with a hard wearing anti-slip coating
- Easy to install
- 3 sizes available
- Stainless steel fixings included



Hard-wearing anti-slip coating

Aluminium for corrosion resistance



FENCEMATE® Aluminium Anti-Slip Plate

Made from rust-resistant aluminium, with a hard-wearing anti-slip coating; they are built to stand up to the worst the weather can throw at them



FINISH	SIZE (MM)	MIN. ORDER QTY	OUTER CARTON QTY	CODE
Aluminium/Black	115 x 635	1	20	380 1150
Aluminium/Black	115 x 1000	1	20	380 1159
Aluminium/Black	62.5 x 635	1	20	380 6250

FENCING ACCESSORIES



CAREFULLY SELECTED COMPREHENSIVE RANGE OF QUALITY FENCING ACCESSORIES

174 Wire Fencing, Rope & Accessories

178 Chainlink, Netting & Stock Fencing

181 Chain & Fittings

184 Equestrian Accessories

185 Brackets & Straps

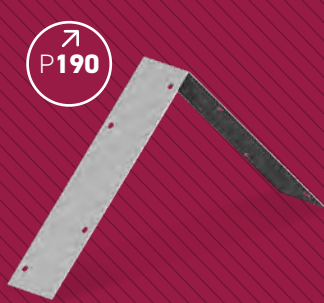
191 Construction Components

196 Trailer Fittings

P185



P190



P174



P186



WIRE FENCING, ROPE & ACCESSORIES

Wire, Barbed Wire & Accessories

Line Wire



FINISH	LENGTH (M)	GAUGE (MM)	DESC	COIL WEIGHT (KG)	MIN. ORDER QTY	OUTER CARTON QTY	CODE
Galvanised	82	3.15	Mild Steel	5	5	200	219 0111
Galvanised	130	2.50	Mild Steel	5	5	200	219 0091
Galvanised	235	4.00	Mild Steel	25	1	40	219 0061
Galvanised	410	3.15	Mild Steel	25	1	40	219 0021
Galvanised	651	2.50	Mild Steel	25	1	40	219 0011
Galvanised	410	3.15	High Tensile	25	1	40	219 0031
Galvanised	651	2.50	High Tensile	25	1	40	219 0081
Green PVC on Galvanised	440	4.00 / 3.15	Mild Steel	25	1	40	219 0059
Green PVC on Galvanised	700	3.15 / 2.24	Mild Steel	25	1	40	219 0049



Tying Wire



FINISH	LENGTH (M)	GAUGE (MM)	COIL WEIGHT (KG)	MIN. ORDER QTY	INNER CARTON QTY	OUTER CARTON QTY	CODE
Galvanised	31	1.60	1/2	1	10	50	220 0011
Galvanised	62	1.60	1	5	25	-	220 0041
Black PVC	34	2.00 / 1.40	1/2	1	10	50	220 0039
Green PVC	34	2.00 / 1.40	1/2	1	10	50	220 0029
Green PVC	68	2.00 / 1.40	1	5	25	-	220 0049

7 Ply Strand Wire



FINISH	LENGTH (M)	GAUGE (MM)	COIL WEIGHT (KG)	MIN. ORDER QTY	CODE
Galvanised	317	4	25	1	222 0011
Galvanised	218	5	25	1	222 0021

GRIPPLE®

DESC	FINISH	SUITABLE FOR	MIN. ORDER QTY	OUTER CARTON QTY	CODE
Small	Galvanised	1.40 - 2.20mm wire	20	200	221 0011
Medium	Galvanised	2.00 - 3.25mm wire	20	200	221 0021
Large	Galvanised	3.20 - 4.20mm wire	10	100	221 0041
Tensioning Tool for GRIPPLE®	Plastic	-	1	-	221 0000



Hair Pin Staples

FINISH	SIZE INS (MM)	MIN. ORDER QTY	CODE
Dacromet	7 (175)	100	212 1756



Barbed Wire Brackets

DESC	SUITABLE FOR	FINISH	SIZE INS (MM)	HOLE C TO C (MM)	CODE
Welded (A)	Front of Post	Galvanised	15 (375)	150	233 3751
Flat (B)	Side of Post	Galvanised	18 (450)	150	233 4501



Barbed Wire Spacers

FINISH	MATERIAL SIZE (MM)	LENGTH INS (MM)	HOLE C TO C (MM)	MIN. ORDER QTY	OUTER CARTON QTY	CODE
Galvanised	25 x 5	8½ (210)	80	10	50	213 2101
Galvanised	25 x 5	14¼ (360)	150	10	50	213 3601
Galvanised	25 x 5	18¾ (460)	200	10	50	213 4601



DuraPost®
BY BIRKDALE

Looking for a fence post that doesn't rot, warp, crack or chip?

Check out our revolutionary fencing solutions on page **141**.

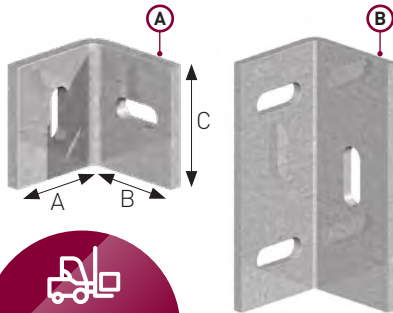


PAGE
141



Barrel Strainers

FINISH	SIZE INS (MM)	MIN. ORDER QTY	OUTER CARTON QTY	CODE
BZP	¼ (6)	10	300	211 0062
BZP	⅝ (8)	10	200	211 0082
BZP	¾ (10)	10	100	211 0102
BZP	½ (12)	10	50	211 0122



Angle Cleats

FINISH	SIZE (MM)*	MIN. ORDER QTY	CODE
Galvanised (A)	40 x 40 x 32	100	202 0321
Galvanised (A)	40 x 40 x 40	100	202 0401
Galvanised (A)	40 x 65 x 40	50	202 0541
Galvanised (A)	50 x 50 x 50	50	202 0501
Galvanised (A)	50 x 75 x 50	50	202 0751
Galvanised (A)	50 x 75 x 40	50	202 1571
Galvanised (B)**	50 x 50 x 125	20	202 1501

*AxBxC

**For use with 150mm gravel board

Round End Angle Cleats

FINISH	SIZE INS (MM)	MIN. ORDER QTY	OUTER CARTON QTY	CODE
Galvanised	2 x 1½ (50 x 40)	50	150	202 0521



Fish Plate

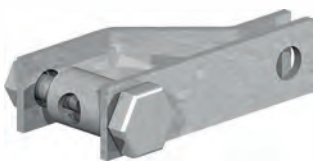
For use with angle posts

FINISH	SIZE INS (MM)	MIN. ORDER QTY	OUTER CARTON QTY	CODE
Galvanised	3½ (88)	1	100	205 0881



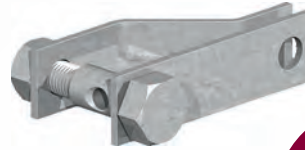
Ferrule Winders

FINISH	SIZE INS (MM)	MIN. ORDER QTY	PALLET QTY	CODE
Galvanised	3½ (88)	100	5000	206 0881
Galvanised	5 (125)	100	3600	206 1251
Galvanised	6 (150)	100	3600	206 1501



Bolt Locking Winders

FINISH	LENGTH INS (MM)	MIN. ORDER QTY	CODE
Galvanised	2 (50)	100	207 0501



Heavy Duty Ratchet Winders

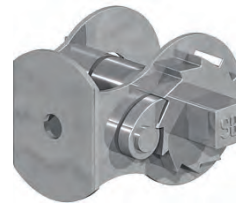
FINISH	MIN. ORDER QTY	PALLET QTY	CODE
Galvanised	50	1600	208 0001



Premium Quality Heavy Duty Ratchet Winders

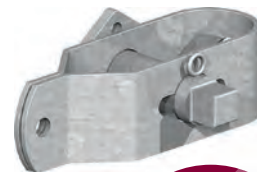
Includes a stainless steel split pin

FINISH	MIN. ORDER QTY	PALLET QTY	CODE
Galvanised	50	1600	999 0001



Radisseurs

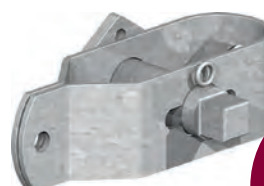
FINISH	SIZE	MIN. ORDER QTY	OUTER CARTON QTY	PALLET QTY	CODE
Galvanised	Small	50	100	3200	209 0011
Galvanised	Large	50	-	1850	209 0021



Premium Quality Radisseurs

Includes a stainless steel split pin

FINISH	SIZE	MIN. ORDER QTY	PALLET QTY	CODE
Galvanised	Large	50	2000	999 0021



Wire Rope Grips



FINISH	SUITABLE FOR	MIN. ORDER QTY	OUTER CARTON QTY	CODE
BZP	3mm rope	100	1000	224 0032
BZP	5mm rope	100	1000	224 0052
BZP	6mm rope	50	1000	224 0062
BZP	8mm rope	50	400	224 0082
BZP	10mm rope	10	200	224 0102
BZP	12mm rope	10	200	224 0122

CHAINLINK, NETTING & STOCK FENCING

Loop Adaptors



FINISH	SIZE INS (MM)	MIN. ORDER QTY	OUTER CARTON QTY	CODE
Galvanised	3/8 (9.5)	100	400	201 0951
BZP	3/8 (9.5)	100	400	201 0952

Folded Eyebolts



NO. NUTS/WASHERS	FINISH	LENGTH INS (MM)	DIAMETER INS (MM)*	MIN. ORDER QTY	CODE
1	BZP	6 (150)	1/4 (6)	100	201 5062
1	BZP	6 (150)	1/4 (8)	100	201 5082
1	BZP	8 (200)	5/16 (8)	100	202 0082
2	BZP	6 (150)	3/8 (9.5)	100	201 5092
2	BZP	8 (200)	3/8 (9.5)	100	202 0092
2	BZP	10 (250)	3/8 (9.5)	100	202 5092
2	BZP	12 (300)	3/8 (9.5)	100	203 0092

* Thread diameter is an imperial size so metric size nuts will not be suitable

Welded Eyebolts



NO. NUTS/WASHERS	FINISH	LENGTH INS (MM)	DIAMETER INS (MM)*	MIN. ORDER QTY	OUTER CARTON QTY	CODE
2	BZP	8 (200)	3/8 (9)	100	-	212 0092
2	BZP	10 (250)	3/8 (9)	100	-	212 5092
2	BZP	12 (300)	3/8 (9)	100	-	213 0092
2	Galvanised	6 (150)	3/8 (9)	1	100	221 5091
2	Galvanised	8 (200)	3/8 (9)	1	100	222 0091
2	Galvanised	10 (250)	3/8 (9)	1	100	222 5091
2	Galvanised	12 (300)	3/8 (9)	1	100	223 0091

* Thread diameter is an imperial size so metric size nuts will not be suitable

Netting Fasteners & Pliers

DESC	FINISH	SIZE	MIN. ORDER QTY	OUTER CARTON QTY	CODE
Pliers	Alloy	7"	1	10	217 0040
Netting Fasteners	Sherardised	Heavy	100	5000	217 0015
Netting Fasteners	Sherardised	Light	200	10000	217 0035
Netting Fasteners	BZP	Light	200	10000	217 0022



Weldmesh Manual Clip Plier & Clips

DESC	FINISH	MIN. ORDER QTY	OUTER CARTON QTY	CODE
Weldmesh Manual Clip Plier *	Stainless Steel	1	-	217 0060
Clips (Box of 1443)	Stainless Steel	1 Box	6 Boxes	217 0050

* Special Order Only



FP222 Rapid Automatic Gun & Hog Ring Clips

- For more demanding garden tasks such as fixing thicker wire netting or chain link fencing, these fence pliers are a tough, reliable solution that delivers great results
- A high capacity heavy-duty hog ring magazine, ergonomic soft handle and handle lock for easy storage - optimises performance

DESC	FINISH	UNIT QTY	MIN. ORDER QTY	OUTER CARTON QTY	CODE
FP222 Rapid Automatic Gun	Black/Green Plastic	Pack of 1	1	5	218 2000
F20 Hog Ring Clips	Galvanised	Box of 1000	1 Box	20 Boxes	218 1011
F20 Hog Ring Clips	Green Plastic	Blister Pack of 1000	1 Blister Pack	20 Blister Packs	218 1026
F20 Hog Ring Clips	Galvanised	Blister Pack of 1000	1 Blister Pack	20 Blister Packs	218 1111



Gordian Ring Gun & Ring Fasteners

DESC	FINISH	MIN. ORDER QTY	OUTER CARTON QTY	CODE
Gordian Ring Gun	Stainless Steel	1	6	218 0000
CL22 Ring Fasteners (Box of 1000)	Galvanised	1 Box	20 Boxes	218 0012

Our CL22 Ring clips are triple life galvanised for extra corrosion resistance



20 x 5mm Stretcher Bar



No. SLOTS	FINISH	SLOT (C to C) (MM)	LENGTH INS (MM)	MIN. ORDER QTY	CODE
2	Galvanised	864	36 (900)	10	215 9021
3	Galvanised	580	48 (1200)	10	215 1201
3	Galvanised	680	56 (1400)	10	215 1401
3	Galvanised	740	60 (1500)	10	215 1501
3	Galvanised	880	72 (1800)	10	215 1801
3	Galvanised	432	36 (900)	10	215 9001
4	Galvanised	786	96 (2400)	10	215 2401
4	Galvanised	990	110 (2750)	10	215 2751

25 x 5mm Stretcher Bar



No. SLOTS	FINISH	SLOT (C to C) (MM)	LENGTH INS (MM)	MIN. ORDER QTY	CODE
3	Galvanised	580	48 (1200)	10	216 1201
3	Galvanised	880	72 (1800)	10	216 1801
4	Galvanised	786	96 (2400)	10	216 2401

Rabbit Netting Pegs



FINISH	SIZE INS (MM)	MIN. ORDER QTY	CODE
Galvanised	12 (300)	100	210 3001
Pre-Galvanised	12 (300)	100	210 3011

DuraPost®
BY BIRKDALE

Interested in training as a DuraPost Installer?

DuraPost is 80% lighter than concrete making them easier to handle and install. Save your back and help extend your career with our free DuraPost training programme!

Register today at:
birkdalesales.com/become-an-installer



CHAIN & FITTINGS

Straight Link Chain

FINISH	SIZE (MM)*	LENGTH (M)	MIN. ORDER QTY	CODE
Galvanised	2.50 x 14	30	30 Metres	241 0251
Galvanised	3.00 x 16	30	30 Metres	241 0301
Galvanised	3.00 x 21	30	30 Metres	241 0031
Galvanised	4.00 x 19	30	30 Metres	241 0401
Galvanised	4.00 x 26	30	30 Metres	241 0041
Galvanised	5.00 x 21	25	25 Metres	241 0511
Galvanised	5.00 x 28	25	25 Metres	241 0051
Galvanised	6.00 x 24	15	15 Metres	241 0601
Galvanised	6.00 x 33	15	15 Metres	241 0611
Galvanised	6.00 x 42	15	15 Metres	241 0061
Galvanised	6.50 x 36	15	15 Metres	241 0651
Galvanised	7.00 x 38	15	15 Metres	241 0701
Galvanised	8.00 x 42	10	10 Metres	241 0081
Galvanised	10.00 x 40	10	10 Metres	241 0101

*Thickness x inside of link
Product not tested



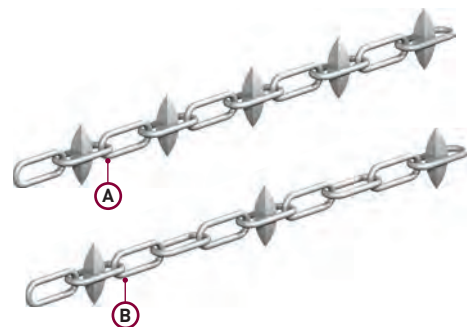
Quick Repair Links

FINISH	GAUGE (MM)	MIN. ORDER QTY	CODE
BZP	3.50	10	253 0352
BZP	4.00	10	253 0042
BZP	5.00	10	253 0052
BZP	6.00	10	253 0062
BZP	7.00	10	253 0072
BZP	8.00	5	253 0082
BZP	10.00	5	253 0102
BZP	12.00	5	253 0122



Spiked Chain

DESC	FINISH	SIZE INS (MM)	MIN. ORDER QTY	CODE
Alternate Links (A)	Galvanised	¼ (6)	25 Metres	235 0061
Every 4 Links (B)	Galvanised	¼ (6)	25 Metres	236 0061



Polythene Spiked Chain

DESC	FINISH	SIZE INS (MM)	MIN. ORDER QTY	CODE
Alternate Links	White	¼ (6)	25 Metres	239 0060





Polythene Chain



FINISH	SIZE INS (MM)	MIN. ORDER QTY	CODE
White	¼ (6)	25 Metres	240 0060

Swivel Spring Hooks



FINISH	LENGTH INS (MM)	MIN. ORDER QTY	OUTER CARTON QTY	CODE
BZP	2 (50)	10	1000	251 0502
BZP	2½ (63)	10	1000	251 0632
BZP	3 (75)	10	400	251 0752
BZP	3½ (88)	10	400	251 0882
BZP	4 (100)	10	200	251 1002

Swivel Harness Snap Hooks



FINISH	SIZE INS (MM)	MIN. ORDER QTY	CODE
Nickle Plated	3 x ¾ (76 x 19)	10	250 0760

Carbine Hooks



FINISH	SIZE (MM)	MIN. ORDER QTY	OUTER CARTON QTY	CODE
BZP	50 x 5	10	1000	249 5052
BZP	60 x 6	10	1000	249 6062
BZP	70 x 7	10	400	249 7072
BZP	80 x 8	10	400	249 8082
BZP	100 x 10	10	200	249 1012
BZP	140 x 12	10	200	249 1412

Dee Shackles



FINISH	GAUGE (MM)	MIN. ORDER QTY	OUTER CARTON QTY	CODE
BZP	6	20	1000	225 0062
BZP	8	50	400	225 0082
BZP	10	25	200	225 0102
BZP	12	25	200	225 0122
BZP	16	20	40	225 0162

End Fitting

FINISH	SIZE INS (MM)	SUITABLE FOR	MIN. ORDER QTY	INNER CARTON QTY	OUTER CARTON QTY	CODE
Galvanised	3/8 (10)	4" posts	1	10	50	243 0101



Hook on Plate

FINISH	SIZE INS (MM)	MIN. ORDER QTY	OUTER CARTON QTY	CODE
Galvanised	2 x 2 (50 x 50)	10	100	244 0501



Staple on Plate

FINISH	SIZE INS (MM)	MIN. ORDER QTY	OUTER CARTON QTY	CODE
Galvanised	2 x 2 (50 x 50)	10	100	245 0501



FENCEMATE
BY BIRKDALE

Need to save time setting in fenceposts?

Our FENCEMATE® post concrete sets quickly letting you get on with the job. Available in coarse aggregate and fine blend, turn to page **151** to order yours now.



PAGE
151

EQUESTRIAN ACCESSORIES

Ring on Heavy Duty Plate



FINISH	SIZE INS (MM)	MIN. ORDER QTY	OUTER CARTON QTY	CODE
Galvanised	4 x 2 (100 x 50)	10	50	246 1501

Ring on Plate



FINISH	SIZE INS (MM)	MIN. ORDER QTY	OUTER CARTON QTY	CODE
Galvanised	2 x 2 (50 x 50)	10	100	246 0501

Manger Ring on Eyebolt



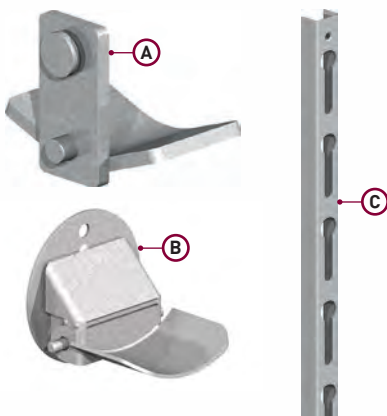
FINISH	SIZE INS (MM)	MIN. ORDER QTY	OUTER CARTON QTY	CODE
BZP	3 x 8 (75 x 200)	10	50	247 0752

Bucket Clip on Plate



FINISH	SIZE INS (MM)	MIN. ORDER QTY	CODE
Galvanised	2 x 2 (50 x 50)	10	247 0001

Jump Cups & Brackets



DESC	FINISH	SIZE INS (MM)	MIN. ORDER QTY	CODE
Cupped (A)	Galvanised	-	1	256 0001
Sprung (B)	Galvanised	-	1	256 0031
Bracket (C)	Galvanised	60 (1520)	1	256 1521

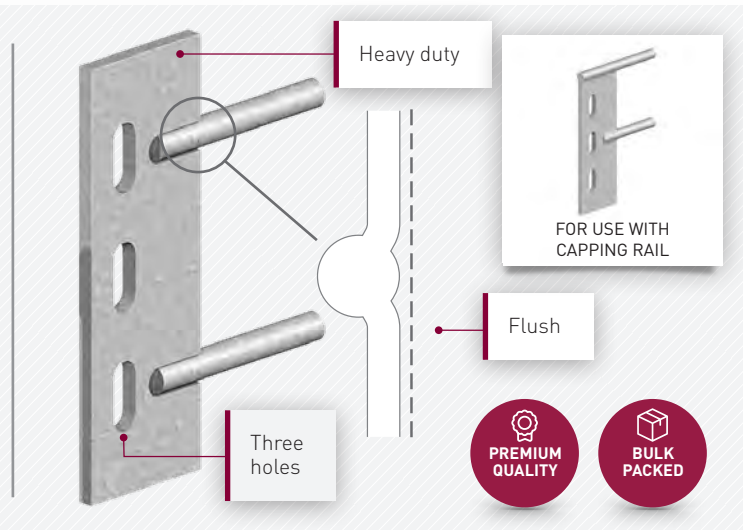
BRACKETS & STRAPS

Brackets

TWO PIN CLEATS

For use with concrete gravel boards, our two pin cleats are welded flush to one face to allow secure fitting to the concrete

- Also available for capping rails; designed to reduce the height of the gravel board to enable wooden capping to be fitted on top of the fence panel



Two Pin Cleats

- For securing concrete gravel boards to concrete fence posts
- 12" cleat is handed. Boxes contain equal quantities of left hand and right hand cleats

FINISH	SIZE INS (MM)	MIN. ORDER QTY	CODE
Galvanised (A)	6 (150)	50	203 1501
Galvanised	12 (300)	20	203 3001



Two Pin Cleats for Capping Rail

- Designed to reduce height of gravel board to enable wooden capping to be fitted on top of fence panel
- These cleats are handed - boxes contain equal quantities of left hand and right hand cleats

FINISH	SIZE INS (MM)	MIN. ORDER QTY	CODE
Galvanised	6 (150)	50	203 1511



Gravel Board Brackets

- For fixing gravel boards to wooden fence posts
- 1" designed for wooden gravel boards and 2" for concrete

FINISH	SIZE INS (MM)	MIN. ORDER QTY	OUTER CARTON QTY	CODE
Galvanised	6 x 1 (150 x 25)	50	200	230 1507
Galvanised	6 x 2 (150 x 50)	50	100	230 3507
Galvanised	8 x 1 (200 x 25)	50	100	230 2257
Galvanised	9 x 2 (230 x 50)	25	50	230 4507





Gravel Board Panel Clip

- For securing wooden fence panels to concrete gravel boards
- Prevents the fence panel in bowing

FINISH	SIZE INS (MM)	MIN. ORDER QTY	CODE
Pre-Galvanised	3 x 2 (75 x 50)	50	230 0517

Arris Rail Repair Bracket

BEST SELLER ★



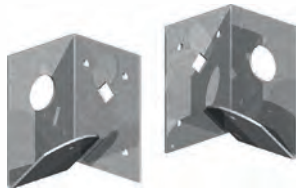
FINISH	SUITABLE FOR	MIN. ORDER QTY	PALLET QTY	CODE
Pre-Galvanised	3" arris rail	50	5600	226 0757
Epoxy Brown	3" arris rail	50	5600	226 0759

Arris Rail Mortice Bracket



FINISH	SUITABLE FOR	MIN. ORDER QTY	OUTER CARTON QTY	CODE
Pre-Galvanised	3" arris rail	50	100	227 0757

Arris Rail Brackets - Bolt-On (Handed)



FINISH	SUITABLE FOR	UNIT QTY	MIN. ORDER QTY	OUTER CARTON QTY	CODE
Pre-Galvanised	3" arris rail	1 Pair	25	50	228 0757

Arris Rail/Cant Rail Corner Bracket - Heavy Duty



FINISH	MATERIAL THICKNESS (MM)	SUITABLE FOR	MIN. ORDER QTY	CODE
Galvanised	3	3" arris rail	100	226 0327

Cant Rail Bracket



FINISH	SIZE (MM)	MIN. ORDER QTY	CODE
Pre-Galvanised	70	50	226 0707

Panel Fixing Clips

FINISH	SIZE (MM)	MIN. ORDER QTY	OUTER CARTON QTY	CODE
Pre-Galvanised	35 x 35	100	200	230 0357
Pre-Galvanised	45 x 50	100	200	230 0457
Pre-Galvanised	50 x 50	100	200	230 0507



Screw-In Panel Clips

A simple solution for securing fence panels to wooden fence posts

FINISH	SIZE (MM)	MIN. ORDER QTY	OUTER CARTON QTY	CODE
Galvanised	40 x 40 x 30	100	200	230 0401



Trellis Clips

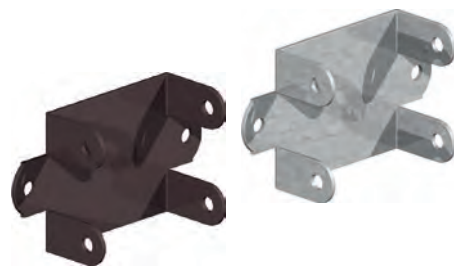
Designed for securing trellis to fence posts

FINISH	SIZE INS (MM)	MIN. ORDER QTY	OUTER CARTON QTY	CODE
Galvanised	2½ (60)	100	200	230 1607



Easy Use Panel Bracket

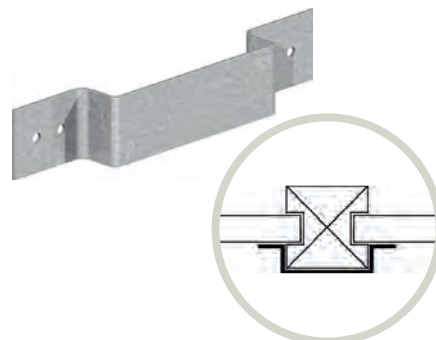
FINISH	SIZE (MM)	MIN. ORDER QTY	OUTER CARTON QTY	CODE
Pre-Galvanised	32	100	200	230 0327
Pre-Galvanised	47	100	200	230 0477
Pre-Galvanised	52	100	200	230 0527
Epoxy Brown	32	100	200	230 0329
Epoxy Brown	47	100	200	230 0479
Epoxy Brown	52	100	200	230 0529



Panel Security Bracket

For securing wooden fence panels together to stop them being removed from slotted concrete posts

FINISH	SUITABLE FOR	MIN. ORDER QTY	OUTER CARTON QTY	CODE
Galvanised	4" posts	50	100	230 1007





Angle Plate Bracket



FINISH	SIZE (MM)	MIN. ORDER QTY	CODE
Galvanised	40 x 40 x 20	100	283 0207
Galvanised	50 x 50 x 30	100	283 0307

Corner Braces



FINISH	SIZE INS (MM)	MIN. ORDER QTY	OUTER CARTON QTY	CODE
BZP/YP	1 (25)	50	1500	231 0258
BZP/YP	1½ (38)	50	1000	231 0388
BZP/YP	2 (50)	50	700	231 0508
BZP/YP	2½ (65)	50	500	231 0658
BZP/YP	3 (75)	50	250	231 0758
BZP/YP	4 (100)	50	200	231 1008
BZP/YP	6 (150)	50	100	231 1508

Corner Plates



FINISH	SIZE INS (MM)	MIN. ORDER QTY	OUTER CARTON QTY	CODE
BZP/YP	2½ (65)	50	500	235 0658
BZP/YP	3 (75)	50	250	235 0758
BZP/YP	4 (100)	25	200	235 1008
BZP/YP	5 (125)	25	100	235 1258
BZP/YP	6 (150)	25	100	235 1508

Tee Plates



FINISH	SIZE INS (MM)	MIN. ORDER QTY	OUTER CARTON QTY	CODE
BZP/YP	3 (75)	25	250	236 0758
BZP/YP	4 (100)	25	250	236 1008



**A personal team
on hand to help**



Area Sales
Manager



Internal Account
Manager



Customer Loyalty
Executive

T 0345 450 9000 E mail@birkdalesales.com



Mending Plates

FINISH	SIZE INS (MM)	MIN. ORDER QTY	OUTER CARTON QTY	CODE
BZP/YP	3 (75)	25	700	237 0758
BZP/YP	4 (100)	25	500	237 1008
BZP/YP	5 (125)	25	300	237 1258
BZP/YP	6 (150)	25	200	237 1508



Table Stretcher Plates

FINISH	SIZE INS (MM)	MIN. ORDER QTY	OUTER CARTON QTY	CODE
BZP/YP	1½ (38)	50	700	238 0388



L Bracket

FINISH	SIZE (MM)	MIN. ORDER QTY	OUTER CARTON QTY	CODE
Pre-Galvanised	30 x 30 x 50	100	250	230 0287



Balustrade Brackets

For fixing balustrading to decking posts

FINISH	SIZE (MM)	MIN. ORDER QTY	OUTER CARTON QTY	CODE
BZP/YP	40 x 40 x 30	100	500	230 0302



Anti-Rattle Panel Clamp for Concrete Posts

Used to prevent fence panels rattling during windy weather

FINISH	MIN. ORDER QTY	CODE
Brown Treated Oak	100	750 0000



Post Straps

Flat Birds Mouth Post Strap with Holes

For knee rail fences

FINISH	SIZE (MM)	SUITABLE FOR	MIN. ORDER QTY	CODE
Pre-Galvanised	560 x 70	3" posts	25	229 0037
Pre-Galvanised	560 x 90	4" posts	25	229 0047



Birds Mouth Post Strap (Once Bent)

For knee rail fences

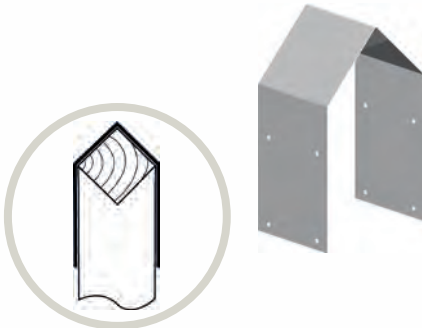
FINISH	SUITABLE FOR	MIN. ORDER QTY	CODE
Pre-Galvanised	2" posts	25	229 0507
Pre-Galvanised	3" posts	25	229 0757
Pre-Galvanised	4" posts	25	229 1007
Pre-Galvanised	5" posts	25	229 1257
Pre-Galvanised	6" posts	25	229 1507



Shoe Type Post Strap (Three Times Bent)

For knee rail fences

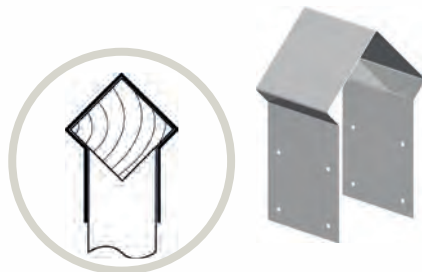
FINISH	SUITABLE FOR	MIN. ORDER QTY	CODE
Pre-Galvanised	3" rail & 4" posts	25	229 1117
Pre-Galvanised	4" rail & 6 x 4" posts	25	229 2227



Bishop Hat Post Strap (Five Times Bent)

For knee rail fences

FINISH	SUITABLE FOR	MIN. ORDER QTY	CODE
Pre-Galvanised	4" rail & 4" posts	25	229 1017



Multi Purpose Fixing Band

Attach to closeboard fencing for increased intruder resistance

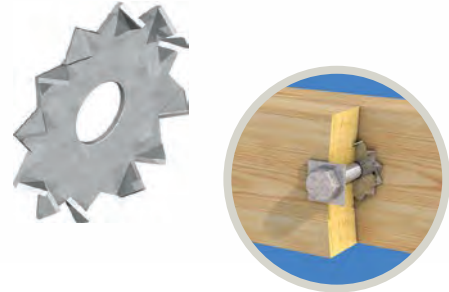
FINISH	SIZE (MM)	LENGTH (M)	MIN. ORDER QTY	CODE
Pre-Galvanised	20 x 1.0	10	1	234 0107



CONSTRUCTION COMPONENTS

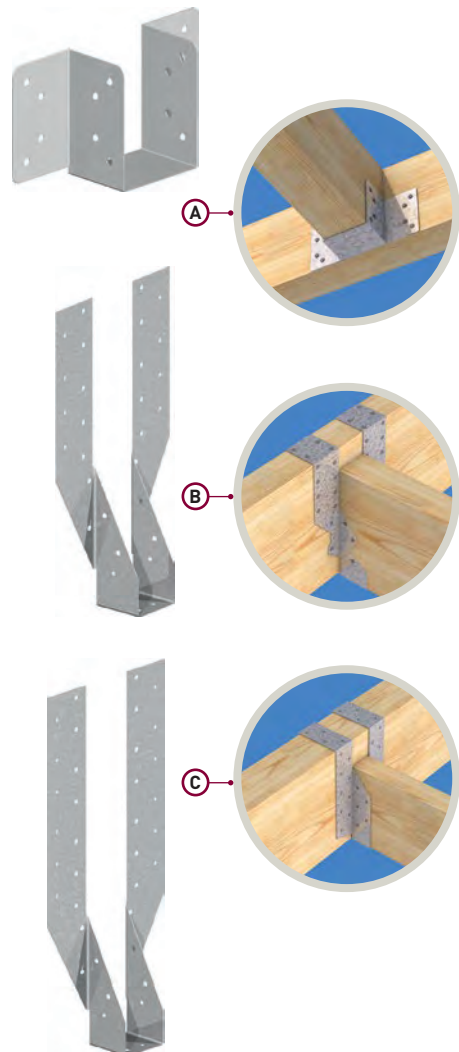
Double Sided Timber Connectors

FINISH	SIZE INS (MM)	MIN. ORDER QTY	CODE
Galvanised	2 (50)	100	232 1507
Galvanised	2½ (65)	100	232 1657

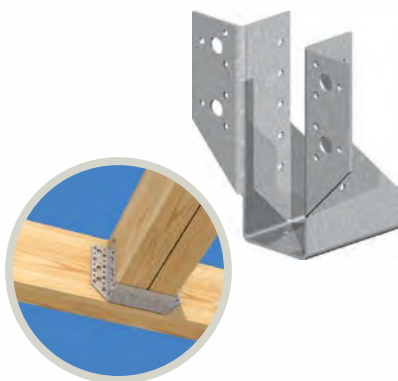


Joist Hanger

DESC	FINISH	SUITABLE FOR	MIN. ORDER QTY	CODE
Mini (A)	Pre-Galvanised	38mm timber	250	255 0387
Mini (A)	Pre-Galvanised	44mm timber	250	255 0447
Mini (A)	Pre-Galvanised	47mm timber	250	255 0477
Mini (A)	Pre-Galvanised	50mm timber	100	255 0017
Jiffy (B)	Pre-Galvanised	44mm timber	100	255 1447
Jiffy (B)	Pre-Galvanised	47mm timber	100	255 1477
Jiffy (B)	Pre-Galvanised	50mm timber	100	255 0027
Jiffy (B)	Pre-Galvanised	75mm timber	100	255 0037
Jiffy (B)	Pre-Galvanised	100mm timber	100	255 1007
Jiffy Extended Leg (C)	Pre-Galvanised	47mm timber	50	255 2477
Jiffy Extended Leg (C)	Pre-Galvanised	75mm timber	50	255 2757

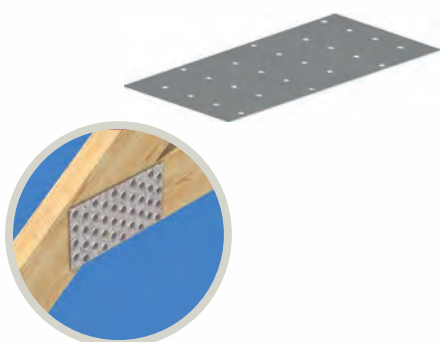


Multi-Truss Hanger



FINISH	SIZE (MM)	MIN. ORDER QTY	CODE
Pre-Galvanised	47 x 100-125	50	285 0471
Pre-Galvanised	47 x 150-200	50	285 1471

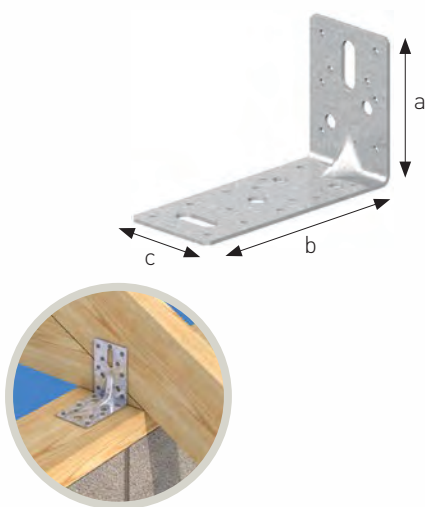
Hand Nail Plate



FINISH	SIZE INS (MM)	MATERIAL THICKNESS (MM)	MIN. ORDER QTY	CODE
Pre-Galvanised	3 x 6 (75 x 150)	1	100	286 1507
Pre-Galvanised	3 x 8 (75 x 200)	1	100	286 2007
Pre-Galvanised	4 x 8 (100 x 200)	1	100	286 2017

Heavy Duty Angle Brackets

Multi-purpose bracket for heavy applications

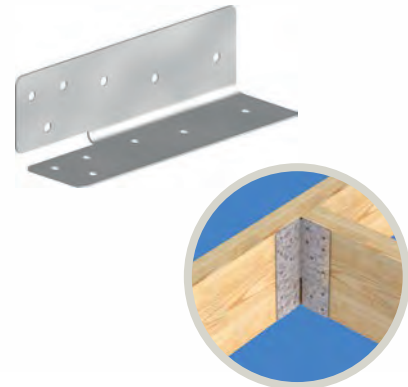


FINISH	SIZE (MM)*	MATERIAL THICKNESS (MM)	MIN. ORDER QTY	CODE
Pre-Galvanised	40 x 40 x 40	2.50	100	289 0407
Pre-Galvanised	50 x 50 x 63	2.50	100	289 0507
Pre-Galvanised	60 x 40 x 63	2.50	100	289 0617
Pre-Galvanised	60 x 60 x 40	2.50	100	289 0607
Pre-Galvanised	60 x 60 x 60	2.50	100	289 0627
Pre-Galvanised	80 x 80 x 80	2.50	100	289 0807
Pre-Galvanised	90 x 90 x 63	2.50	100	289 0907
Pre-Galvanised	150 x 150 x 63	2.50	50	289 1517
Pre-Galvanised	150 x 90 x 63	2.50	50	289 1507

*a x b x c

Universal Framing Anchors

FINISH	SIZE (MM)	MIN. ORDER QTY	CODE
Pre-Galvanised	37 x 37 x 126	100	295 0377



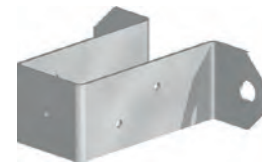
Deck Joist Shoe

FINISH	SUITABLE FOR	MIN. ORDER QTY	OUTER CARTON QTY	CODE
Pre-Galvanised	100 - 125 x 50mm joists	10	50	285 1257
Pre-Galvanised	150 - 200 x 50mm joists	50	-	285 2007



Deck Post Connectors

FINISH	SIZE (MM)	MIN. ORDER QTY	CODE
Pre-Galvanised	90 x 90	10	294 0907



Stair Tread Bracket Kit

Includes three left and three right brackets for easy construction of steps e.g. for decking

FINISH	SIZE (MM)	MIN. ORDER QTY	OUTER CARTON QTY	CODE
Pre-Galvanised	200 x 35 x 35	3	36	291 2007



Anchor Bolt-Down Plates

For anchoring timber posts to the ground. Raised to prevent post from rotting

FINISH	SIZE (MM)	MIN. ORDER QTY	CODE
Galvanised	100 x 100	10	292 0951



**POST
SUPPORTS
ARE ON
PAGE 154**

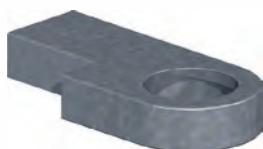
FABRICATION COMPONENTS

Drop Bolt Holder



FINISH	SIZE (MM)	MIN. ORDER QTY	OUTER CARTON QTY	CODE
Self Colour	55 x 45 x 5	100	200	099 2014

Drop Bolt Eye to Weld



FINISH	SIZE (MM)*	LENGTH (MM)	HOLE Ø (MM)	MIN. ORDER QTY	OUTER CARTON QTY	CODE
Self Colour	30 x 10	62	20	100	200	099 2054

*Width x thickness

Keep to Weld



DESC	FINISH	SIZE (MM)*	LENGTH INS (MM)	MIN. ORDER QTY	OUTER CARTON QTY	CODE
Receiver to weld	Self Colour	25 x 5	3½ (90)	100	200	099 2034
Carrier to weld	Self Colour	25 x 5	3 (75)	250	–	099 2044

*Width x thickness



Next day delivery service

Order by 5pm for next day delivery to UK mainland addresses (3-5 working days for DuraPost®, Post Concrete, Highlands, Islands and Ireland)

T 0345 450 9000 F 0345 450 9085



Stretcher Bar Lug to Weld

DESC	FINISH	SIZE (MM)*	LENGTH (MM)	HOLE Ø (MM)	MIN. ORDER QTY	OUTER CARTON QTY	CODE
1 Hole (A)	Self Colour	25 x 5	30	11	100	1000	214 0304
1 Hole (A)	Self Colour	25 x 5	52	11	100	500	214 0524
2 Hole (B)	Self Colour	25 x 5	72	11	100	300	214 0734

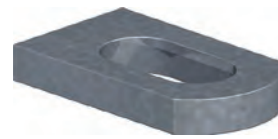
*Width x thickness



Railing Lug to Weld

FINISH	SIZE (MM)*	LENGTH (MM)	HOLE Ø (MM)	MIN. ORDER QTY	OUTER CARTON QTY	CODE
Self Colour	25 x 8	52	12	100	500	255 0254
Self Colour	32 x 8	52	16	100	300	255 0324
Self Colour	40 x 9	60	12	100	-	255 0404
Self Colour	50 x 9	62	12	100	-	255 0504

*Width x thickness



Hurdle Eye To Bolt

FINISH	SIZE (MM)	HOLE (MM)	MIN. ORDER QTY	OUTER CARTON QTY	CODE
Galvanised	71 x 40	22 x 38	5	15	255 0701

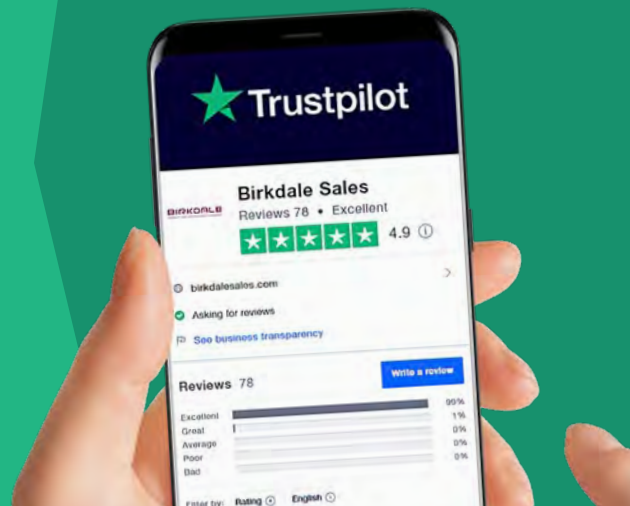


“ A superb company to deal with

Helpful, polite with great product knowledge. Super fast delivery, supplying the best ironmongery in the UK. I cannot recommend them enough!



”



TRAILER FITTINGS

Tailboard Hook to Bolt



FINISH	PIN SIZE INS (MM)	MIN. ORDER QTY	OUTER CARTON QTY	CODE
Self Colour	5/16 (8)	10	100	301 0084

Hinge Pins



DESC	FINISH	PIN SIZE INS (MM)	MIN. ORDER QTY	OUTER CARTON QTY	CODE
To Bolt (A)	Self Colour	1/2 (12)	10	100	302 0124
To Weld (B)	Self Colour	1/2 (12)	10	100	302 1124
To Weld (B)	Self Colour	5/8 (16)	10	100	302 1164

Linch Pins



DESC	FINISH	PIN SIZE INS (MM)	MIN. ORDER QTY	OUTER CARTON QTY	CODE
Small	BZP	1/4 (6)	25	500	308 0062
Medium	BZP	5/16 (8)	25	500	308 0082

Towing Pins



FINISH	PIN SIZE INS (MM)	MIN. ORDER QTY	OUTER CARTON QTY	CODE
BZP	1 (25)	1	20	309 0252

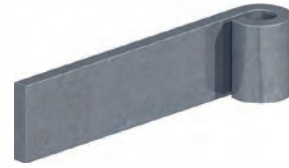
R Clips



DESC	FINISH	SIZE INS (MM)	MIN. ORDER QTY	OUTER CARTON QTY	CODE
Small	BZP	2 1/2 x 1/8 (63x3)	50	1000	310 0632
Large	BZP	4 x 1/4 (100x5)	50	500	310 1002

Short Hinges

FINISH	SIZE INS (MM)	PIN/EYE Ø INS (MM)	MIN. ORDER QTY	OUTER CARTON QTY	CODE
Self Colour	6 x 1 (150 x 25)	½ (12)	10	50	303 1124
Self Colour	6 x 1½ (150 x 40)	½ (12)	10	30	303 0124



Drop Catches

DESC	FINISH	SIZE INS (MM)	MIN. ORDER QTY	OUTER CARTON QTY	CODE
To Bolt Short (A)	BZP	1 (25)	10	200	304 0252
To Bolt Long (A)	BZP	3 (75)	10	100	304 0752
To Rivet (B)	BZP	½ (12)	10	200	305 0122



Rivetting Plugs

FINISH	SIZE INS (MM)	MIN. ORDER QTY	OUTER CARTON QTY	CODE
Self Colour	1¾ x ½ (44x12)	10	200	307 0464



Spade Hinges to Weld

FINISH	SIZE INS (MM)	PIN/EYE Ø INS (MM)	MIN. ORDER QTY	OUTER CARTON QTY	CODE
Self Colour	3 x 1¾ (75 x 44)	½ (12)	10	40	314 0124



Ordering online is easy!

We're continuously making improvements so that you can order online quickly and easily. If you aren't already ordering online, contact our Customer Loyalty Team for more information.

birkdalesales.com

T 0345 450 9000 **E** mail@birkdalesales.com



DuraPost®
BY BIRKDALE



Recommend A Fencer To Become A DuraPost Trained Installer



We're looking for expert fencers to become DuraPost Trained Installers.

DuraPost is the revolutionary steel fence post system that is 80% lighter than concrete, is easier and quicker to install and can withstand wind speeds of up to 110mph.

FREE SIGN UP CURRENTLY AVAILABLE ACROSS UK & IRELAND.

“ We've had huge success and multiple bookings as a result

- DuraPost Trained Installer ”

BY HAVING TRAINED INSTALLERS ON-BOARD YOU WILL BENEFIT FROM...



Fully trained and knowledgeable fencing contractors



Increased customer loyalty



Quickly grow your DuraPost sales

SUBMIT YOUR FENCER NAMES TODAY!

| 0345 646 0951

www.birkdalesales.com/durapost-trade

THE COMPLETE RANGE OF FENCERS' TOOLS + FIXINGS MANUFACTURED FOR DURABILITY + PERFORMANCE

200 Specialist Fencing Tools

209 Insulated Tools

211 Hand Tools

217 Other Tools & Accessories

221 Paints, Tapes & Adhesives

222 Nails & Staples

230 Woodscrews

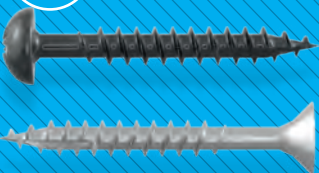
240 Bolt & Coach Screws

244 Masonry Fixings

248 Nuts, Washers and Studding

251 Other Fixings

↑
P234



↑
P209



↑
P200



↑
P239



TOOLS

Specialist Fencers tools – Designed by fencers for fencers.

FAST, EFFECTIVE AND POWERFUL

Our range of SITEMATE® tools have unique features that allow the user to get the job done right the first time.

Features such as the angle of our SITEMATE® graft blade, the strength of each tool and the comfort of the grip provides power, allowing the user to be fast and effective.

We have added new products to our comprehensive range of superior products to ensure that you have everything you need to complete the job in one place.

SITEMATE
BY BIRKDALE

TOOL GRADING ICONS

Make sure the tool you choose is fit for purpose using our handy grading icons!

**TAKE
YOUR PICK**

SITEMATE
BY BIRKDALE

ULTIMATE FENCERS GRAFT

Our strongest ever graft - designed by fencers for fencers!

- The reduced angle of the blade reduces body strain and aids easier digging
- The reinforced forged shaft prevents breaking

Sharp hardened blade

Toughened sleeve at bottom of shaft for extra strength

Rubber handle for comfortable use

Screw on end cap to adjust the weight by filling with concrete

SITEMATE® The Ultimate Fencers Graft

FINISH	SIZE MM	MIN. ORDER QTY	CODE
Grey	1750	1	608 0090



SITEMATE® Excavator Fencers Graft

DESC	FINISH	SIZE MM	MIN. ORDER QTY	CODE
Type 1 (A)	Grey	1750	1	608 0060
Type 2 (B)	Grey	1750	1	608 0070



SITEMATE® Double Shovel Holer

With heavy duty hardened blades

DESC	SIZE INS (MM)	MIN. ORDER QTY	CODE
w/ Steel Handles (A)	60 (1520)	1	608 0010
w/ Wooden Handles (B)	60 (1520)	1	608 0020
Handle Only	48 (1220)	1	608 0030



SITEMATE® Mini Post Hole Digger

DESC	SIZE INS (MM)	MIN. ORDER QTY	CODE
w/ Wooden Handles (A)	48 (1220)	1	608 0040
w/ Wooden Handles - Economy (B)	48 (1220)	1	608 0080
w/ Fibreglass Handles (C)	48 (1220)	1	608 0050



SITEMATE® Shovels



DESC	FINISH	MIN. ORDER QTY	CODE
Newcastle Drainer Shovel (A)	Grey	1	606 0090
Round Mouth Shovel (B)	Grey	1	615 0060
Square Mouth Shovel (C)	Grey	1	615 0020
Cable Laying Pattern Shovel (D)	Grey	1	615 0030
Trenching Shovel (E)	Grey	1	615 0040

SITEMATE® Digging Spade



FINISH	MIN. ORDER QTY	CODE
Grey	1	615 0050

SITEMATE® Fencers Adze



Used for shaping arris rails when constructing post and rail fences. The SITEMATE® Adze is a high quality tool with an ergonomic hickory handle for continuous comfortable use

LENGTH INS (MM)	WEIGHT (LB)	MIN. ORDER QTY	CODE
36 (900)	4	1	601 0010

SITEMATE® Fencing Tamper

For compacting dry mix concrete and earth around fence posts

LENGTH M (FT)	END SIZE (MM)	MIN. ORDER QTY	CODE
1.5 (5)	175 x 90	1	606 0000



SITEMATE® Post Rammer

Heavy steel rammer for driving timber posts into the ground. Features two steel handles and welded steel straps for extra strength and safety

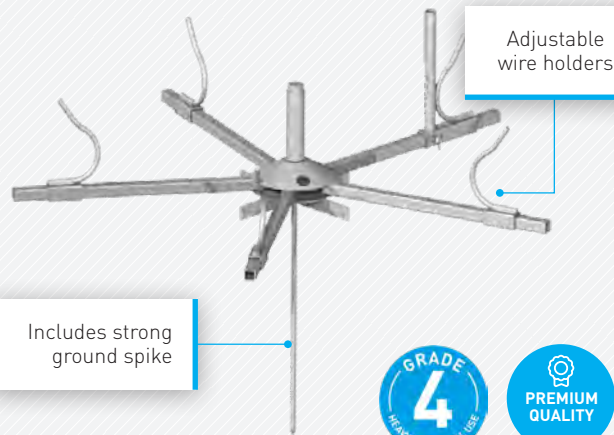
FINISH	POST SIZE INS (MM)	MIN. ORDER QTY	PALLET QTY	CODE
Grey	4 (100)	1	30	612 0020
Grey	6 (150)	1	30	612 0010



SITEMATE®
BY BIRKDALE

SPINNING JENNY WIRE DISPENSER

- Heavy galvanised finish for superior corrosion resistance
- Adjustable design
- Simple, strong, durable



SITEMATE® Spinning Jenny Wire Dispenser with Ground Spike

Galvanised adjustable wire dispenser including ground spike

FINISH	MIN. ORDER QTY	CODE
Galvanised	1	660 0003



SITEMATE® Landscape Rake



GRADE
3
LIGHT INDUSTRIAL USE

FINISH	LENGTH INS (MM)	RAKE WIDTH INS (MM)	MIN. ORDER QTY	CODE
Grey	30 (900)	28 (711)	1	615 0070

SITEMATE® Stiff Bass Platform Broom with Handle



GRADE
3
LIGHT INDUSTRIAL USE

LENGTH INS (MM)	MIN. ORDER QTY	CODE
18 (450)	1	603 0010
24 (600)	1	603 0020

SITEMATE® Chisel & Point Crowbar



GRADE
4
HEAVY INDUSTRIAL USE

Chisel end used to cut through roots, point end for breaking up concrete

DESC	LENGTH M (FT)	DIAMETER INS (MM)	MIN. ORDER QTY	CODE
Round	1.5 (5)	1¼ (30)	1	606 0010
Round	1.8 (6)	1¼ (30)	1	606 0020
Hexagonal	1.8 (6)	1¼ (30)	1	606 0050

SITEMATE® Flat Pry Bar



GRADE
4
HEAVY INDUSTRIAL USE

FINISH	SIZE INS (MM)	MIN. ORDER QTY	CODE
Grey	22 (550)	1	606 0150

SITEMATE® Wrecking Crowbar



GRADE
4
HEAVY INDUSTRIAL USE

DESC	LENGTH INS (MM)	DIAMETER INS (MM)	MIN. ORDER QTY	CODE
Standard Duty	24 (600)	¾ (19)	1	606 0030
Standard Duty	36 (900)	¾ (19)	1	606 0130
Heavy Duty*	24 (600)	1 ¼ (30)	1	606 0160
Heavy Duty*	40 (1000)	1 ¼ (30)	1	606 0170

*Our heavy duty wrecking crowbars have the thickest material construction on the market!

SITEMATE® Heavy Duty Wrecking Claw

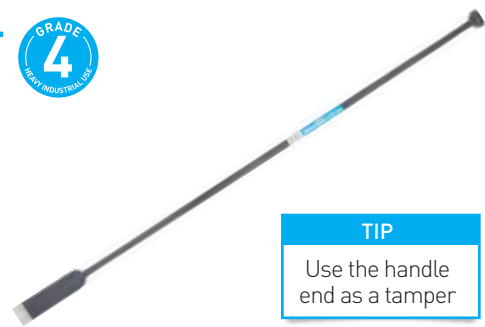
Great for taking down and ripping up old fencing. Includes 2 x nail pullers

LENGTH INS (MM)	WIDTH INS (MM)	MIN. ORDER QTY	CODE
44 (1120)	3/4 (19)	1	606 0140



SITEMATE® Post Hole Digging Crowbar

LENGTH M (FT)	DIAMETER INS (MM)	MIN. ORDER QTY	CODE
1.8 (6)	1 (25)	1	606 0040



TIP
Use the handle end as a tamper

SITEMATE® Sledge Hammer

HANDLE	WEIGHT	SIZE (MM)	MIN. ORDER QTY	CODE
Wooden	10lb	900	1	609 0050
Wooden	14lb	900	1	609 0060
Fibreglass	10lb	900	1	609 0150



SITEMATE® Maul Hammer with Fibreglass Handle

Cast Steel Head

WEIGHT	SIZE (MM)	MIN. ORDER QTY	CODE
14lb	950	1	609 0140



SITEMATE
BY BIRKDALE

FORGED STEEL CLAW HAMMER

Made of high-quality steel, the SITEMATE® claw hammer is designed to be strong.

- Features designed with the Fencing Contractor in mind.
- Ideal tool to use for fencing installations



SITEMATE® One Piece Forged Steel Claw Hammer



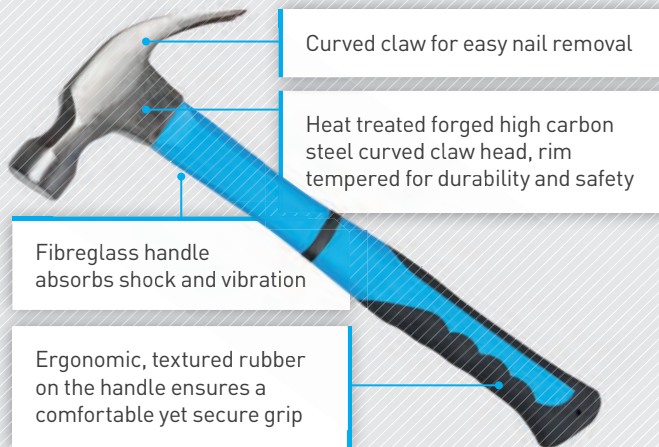
FINISH	WEIGHT (OZ)	MIN. ORDER QTY	CODE
Steel	16	1	609 0010

SITEMATE
BY BIRKDALE

FIBREGLASS CLAW HAMMER

Designed with the Fencing Contractor in mind, the SITEMATE® fibreglass claw hammer provides durability and comfort.

- Hardened and tempered carbon steel head for maximum durability
- Soft grip ergonomic handle provides a comfortable, secure grip for the user



SITEMATE® Fibreglass Claw Hammer



FINISH	WEIGHT (OZ)	MIN. ORDER QTY	CODE
Fibreglass	16	1	609 0210

Handsaw 'Jack' Hardpoint

SIZE INS (MM)	MIN. ORDER QTY	CODE
20 (500)	10	614 0010



SITEMATE
BY BIRKDALE

FENCERS SAW

The PTFE (polytetrafluoroethylene) coating increases corrosion resistance.

- Decreases friction
- Increases sawing speed
- Ideal for cutting wet timber

The Universal Saw is suitable for hardwood, softwood and veneer materials

PTFE coating prolongs the life of the saw



Ergonomically designed handle provides a comfortable grip

Hardened point, 8TPI, Triple Ground

SITEMATE® Fencers Saw

SIZE INS (MM)	FINISH	MIN. ORDER QTY	CODE
20 (500)	Teflon coated	10	614 0040



SITEMATE
BY BIRKDALE

Looking for
exactly the right tool
for the job?

Look no further for a comprehensive range of tools. Designed by fencers, for fencers.



PAGE
199

THE COMPLETE RANGE OF SPECIALIST INSULATED TOOLS

Did you know that each year there are at least 30 fatalities on construction sites in the UK, and nearly 7% are due to contact with electricity? Even if protective clothing is worn, accidents often result in severe burns to the hands, face and body.



Insulated Tools

SITEMATE® Insulated Heavy Duty Contractor's Fork

FINISH	MIN. ORDER QTY	CODE
Fibreglass (Grey/Orange)	1	606 0120



SITEMATE® Insulated Fencers Graft

FINISH	SIZE INS (MM)	MIN. ORDER QTY	CODE
Fibreglass (Grey/Orange)	54 (1370)	1	606 0070



SITEMATE® Insulated Shovels

DESC	FINISH	MIN. ORDER QTY	CODE
Square Mouth Shovel (A)	Fibreglass (Grey/Orange)	1	606 0100
Cable Laying Shovel (B)	Fibreglass (Grey/Orange)	1	606 0110
Taper Mouth Shovel (C)	Fibreglass (Grey/Orange)	1	606 0240
Trenching Shovel (D)	Fibreglass (Grey/Orange)	1	606 0260
Newcastle Drainer Shovel (E)	Fibreglass (Grey/Orange)	1	606 0230



SITEMATE® Insulated Heavy Duty Shovel Holer

FINISH	SIZE INS (MM)	MIN. ORDER QTY	CODE
Fibreglass (Grey/Orange)	54 (1370)	1	606 0080



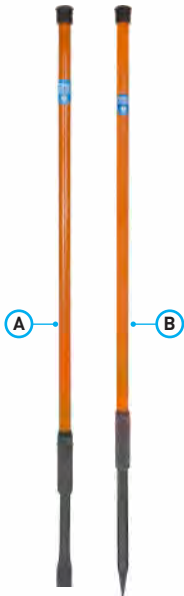
SITEMATE® Insulated Mini Post Hole Digger



FINISH	SIZE INS (MM)	MIN. ORDER QTY	CODE
Fibreglass (Grey/Orange)	54 (1370)	1	606 1180



SITEMATE® Insulated Crowbars



DESC	FINISH	SIZE INS (MM)	CODE
Chisel End Crowbar (A)	Fibreglass (Grey/Orange)	60 (1520)	606 0060
Point End Crowbar (B)	Fibreglass (Grey/Orange)	60 (1520)	606 0220



SITEMATE® Insulated Tamper/Pipe Breaker



FINISH	MIN. ORDER QTY	CODE
Fibreglass (Grey/Orange)	1	606 0250



SITEMATE® Insulated Pick Axe

FINISH	MIN. ORDER QTY	CODE
Fibreglass (Grey/Orange)	1	606 0180



SITEMATE® Insulated Hammers

DESC	FINISH	WEIGHT	MIN. ORDER QTY	CODE
Sledge Hammer (A)	Fibreglass (Grey/Orange)	10LB	1	606 0190
Club Hammer (B)	Fibreglass (Grey/Orange)	4LB	1	606 0200
Claw Hammer (C)	Fibreglass (Grey/Orange)	200Z	1	606 0210

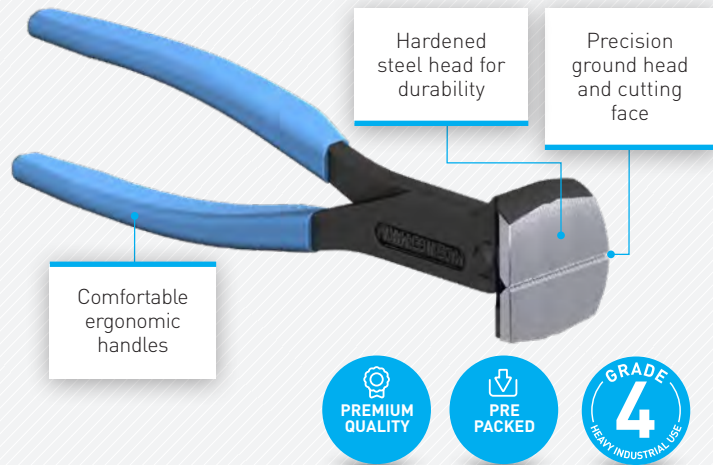


Hand Tools

SITEMATE®
BY BIRKDALE

WIRE END CUTTERS

Premium quality, precision engineered wire end cutters made in Germany!



SITEMATE® Wire End Cutters

Premium quality wire cutters made in Germany! With hardened steel blades and comfortable ergonomic handles, the SITEMATE® wire cutters are the essential wire fencing accessory



SIZE INS (MM)	OUTER CARTON QTY	MIN. ORDER QTY	CODE
7 (180)	6	1	618 0010
8 (200)	6	1	618 0020

OPTIMUM WIRE CUTTING CAPACITY

CODE	HARD	MEDIUM	SOFT
6180010	2.50	3.20	4.00
6180020	2.50	3.20	4.00



SITEMATE® Bolt Croppers



Premium quality bolt croppers made in Germany! With hardened steel blades and toughened handles, the SITEMATE® bolt croppers are built to last

SIZE INS (MM)	MIN. ORDER QTY	CODE
24 (600)	1	602 0010

PROFESSIONAL FENCING PLIERS

- Premium quality, precision engineered fencing pliers made in Germany!
- The perfect all-round fencing tool



SITEMATE® Professional Fencers Pliers



Premium quality fencing pliers made in Germany! With a hardened steel head and comfortable ergonomic handles, the SITEMATE® Fencer's plier is the perfect all-round fencing tool

FINISH	MIN. ORDER QTY	OUTER CARTON QTY	CODE
Steel/Blue	1	6	618 0080

Universal Fencers Pliers



DESC	MIN. ORDER QTY	CODE
Multi-purpose	1	618 0070

CK Professional Centre Cutters



SIZE INS (MM)	FINISH	MIN. ORDER QTY	CODE
8 (200)	Red	1	618 0040

OPTIMUM WIRE CUTTING CAPACITY

HARD	MEDIUM	SOFT
2.00	2.00	2.00

Mini Bolt Cutters

MIN. ORDER QTY

CODE

1

618 0060



OPTIMUM WIRE CUTTING CAPACITY

HARD	MEDIUM	SOFT
1.50	3.50	5.00



SITEMATE
BY BIRKDALE

PROFESSIONAL ALUMINIUM LEVELS

Robust heavy duty cast aluminium construction levels available in a range of lengths.

- Accurate to 0.5mm per metre
- Smart blue powder coat finish
- Magnetic, ideal for use with DuraPost

Precision milled face

Two fixed acrylic dials

Large handles for ease of use

Machined 90° ends; ideal for marking out

Cast aluminium 'I' beam section for strength and stability

PREMIUM QUALITY

PRE PACKED

SITEMATE® Professional Aluminium Level (2 Vials)

Professional quality, multi-purpose tool ideal for a wide range of uses



FINISH	LENGTH INS (MM)	MIN. ORDER QTY	OUTER CARTON QTY	CODE
Blue	12 (300)	1	60	610 0120
Blue	24 (600)	1	36	610 1240
Blue	40 (1000)	1	18	610 0400

Our 12in SiteMate Professional Aluminium Level is magnetic!



SITEMATE® Post Levels (3 Vials)



LENGTH INS (MM)	MIN. ORDER QTY	CODE
6 (150)	1	610 0010

SITEMATE® Retractable Tape Measure



Supplied in counter display boxes

LENGTH (M)	MIN. ORDER QTY	CODE
3	12	617 0030

SITEMATE®
BY BIRKDALE

PREMIUM TAPE MEASURE

Our premium 5m tape measure is perfect for measuring fencing projects.

- MID II Certified means measurements are reliable
- Measurements are printed in metric and imperial, both sides, for ease of use
- Comes in a point of sale box



SITEMATE® Premium Tape Measure MID II

Supplied in counter display boxes



LENGTH (M)	MIN. ORDER QTY	CODE
5 (Mid II certified)	12	617 0150

SITEMATE
BY BIRKDALE

OPEN FRAME FIBREGLASS MEASURE

The SITEMATE® tape reel is impervious to moisture and scuffing.

- Ideal to use in muddy, wet conditions

Comfortable non slip rubber handle grip with easy to use winding ability

Durable ABS casing

Geared mechanism providing fast retraction

Measurements in metric and imperial, printed both sides, for easy reading



SITEMATE® Open Frame Fibreglass Measure

LENGTH (M)	MIN. ORDER QTY	CODE
50	1	617 0500



SITEMATE® Measuring Wheel Metric

LENGTH (M)	MIN. ORDER QTY	CODE
0 - 9999.9	1	617 9990



SITEMATE® Carpenters Pencils

SITEMATE® carpenters pencils are versatile and suited to many trades; carpentry, building and fencing alike!

DESC	FINISH	SIZE INS (MM)	MIN. ORDER QTY	OUTER CARTON QTY	CODE
Pack of 12	Black	7 (175)	1	10	637 0020



SITEMATE
BY BIRKDALE

LOCKING UTILITY KNIFE

- Locking action locks blade in open position
- Easy blade change with quick release lever
- Ergonomic handle design
- Comes with 10 blades



SITEMATE® Locking Utility Knife with 10 Blades



- Locking action locks blade in open position
- Easy blade change with quick release lever
- Ergonomic handle design
- Comes with 10 blades

FINISH	SIZE (MM)	MIN. ORDER QTY	OUTER CARTON QTY	CODE
Black Anodised	155 open, 95 closed	1	10	637 0000



**A personal team
on hand to help**



Area Sales
Manager



Internal Account
Manager



Customer Loyalty
Executive

T 0345 450 9000 **E** mail@birkdalsales.com



Other Tools & Accessories

SITEMATE® Endless Lashing Strap

STRAP WIDTH INS (MM)	LENGTH (M)	MAX LOAD (KG)	MIN. ORDER QTY	CODE
1 (25)	3.6	100	10	140 00360

Supplied in display packs

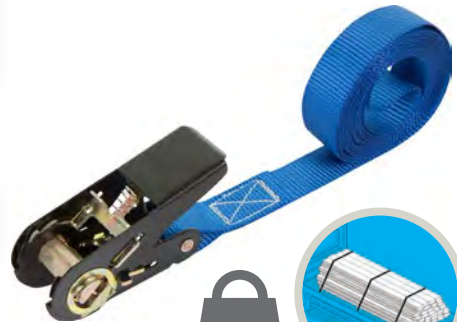


SITEMATE® Endless Ratchet Strap

SITEMATE® Endless Ratchet Straps are ideal for securing medium weight loads

STRAP WIDTH INS (MM)	LENGTH (M)	MAX LOAD (KG)	MIN. ORDER QTY	CODE
1 (25)	3.6	250	10	140 30360

Supplied in display packs



SITEMATE® Ratchet Tie Down with Chassis Hooks

SITEMATE® Ratchet Tie Downs with Chassis Hooks are ideal for securing medium weight loads

STRAP WIDTH INS (MM)	LENGTH (M)	MAX LOAD (KG)	MIN. ORDER QTY	CODE
1 (25)	4	250	10	140 60400

Supplied in display packs

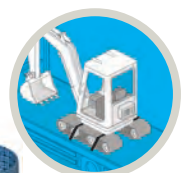
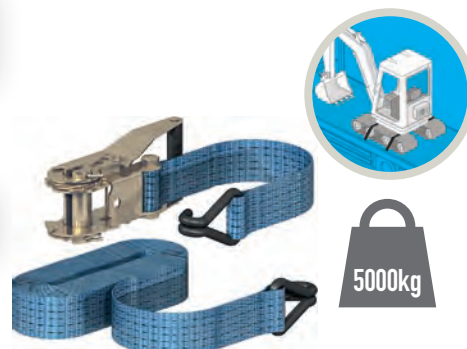


SITEMATE® Heavy Duty Ratchet Tie Down with Chassis Hooks

SITEMATE® Heavy Duty Ratchet Tie Downs with Chassis Hooks are ideal for securing heavy weight loads

STRAP WIDTH INS (MM)	LENGTH (M)	MAX LOAD (KG)	MIN. ORDER QTY	CODE
2 (50)	10	5000	5	140 71000

Supplied in display packs



SITEMATE® Ratchet Tie Down with Chassis Hooks & D Rings

SITEMATE® Ratchet Tie Downs with Chassis Hooks and D Rings are ideal for securing medium to heavy weight loads



STRAP WIDTH INS (MM)	LENGTH (M)	MAX LOAD (KG)	UNIT QTY	MIN. ORDER QTY	CODE
1 (25)	4.2	250	Pack of 2	10 Packs	140 50450

Supplied in display packs

SITEMATE® Heavy Duty Ratchet Tie Down with Chassis Hooks & D Rings

SITEMATE® Heavy Duty Ratchet Tie Downs with Chassis Hooks and D Rings are ideal for securing heavy weight loads



STRAP WIDTH INS (MM)	LENGTH (M)	MAX LOAD (KG)	MIN. ORDER QTY	CODE
1 (25)	4.2	450	10	140 40480

Supplied in display packs

SITEMATE® Ratchet Tie Down with S Hooks

SITEMATE® Ratchet Tie Downs with S Hooks are ideal for securing medium weight loads



STRAP WIDTH INS (MM)	LENGTH (M)	MAX LOAD (KG)	MIN. ORDER QTY	CODE
1 (25)	4.2	250	10	140 10420

Supplied in display packs

SITEMATE® Elastic Tie Down with 4mm Hooks

STRAP WIDTH INS (MM)	LENGTH INS (MM)	MIN. ORDER QTY	OUTER CARTON QTY	CODE
3/8 (8)	24 (600)	10	100	141 00600
3/8 (8)	30 (750)	10	100	141 00750
3/8 (8)	36 (900)	10	100	141 00900

Supplied in display packs



SITEMATE® Multi-Claw Elastic Tie Down

SITEMATE® Multi-claw elastic tie downs are perfect for securing lightweight luggage

DESC	STRAP WIDTH INS (MM)	LENGTH INS (MM)	MIN. ORDER QTY	OUTER CARTON QTY	CODE
4 Claw	3/8 (8)	24 (600)	10	40	141 10600
6 Claw	3/8 (8)	32 (800)	20	40	141 20800

Supplied in display packs



SITEMATE® Blue Polypropylene Rope Coil

LENGTH (M)	GAUGE/DIAMETER	MIN. ORDER QTY	CODE
30	6mm	1	223 3060
30	8mm	1	223 3080
30	10mm	1	223 3100
30	12mm	1	223 3120

Pre-cut lengths available in 6mm and 8mm - see page 73



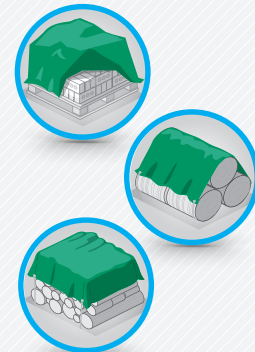
SITEMATE®
BY BIRKDALE

POLYTHENE TARPULIN

Suitable for fencing, construction, agricultural and marine environments

- Robust polythene construction with rope reinforced hems
- Comprehensive range of sizes
- Includes aluminium eyelets every 1m; perfect for using with rope or bungees
- Waterproof, shrink proof and UV protected

Full box quantities supplied in counter display boxes



PREMIUM QUALITY

PRE PACKED

SITEMATE® Polythene Tarpaulin

Edging construction includes rope to prevent stretching

FINISH	SIZE (M)	WEIGHT (GSM)	MIN. ORDER QTY	CODE
Green	3.6 x 2.7	80	24	143 36270
Green	5.4 x 3.5	80	12	143 54350
Green	7.0 x 5.4	80	6	143 70540
Green	11.0 x 7.0	90	3	143 11070
Green	14.0 x 9.0	90	2	143 14090

Supplied in display boxes



SITEMATE® Polythene Bucket



FINISH	VOLUME	MIN. ORDER QTY	CODE
Black Polythene	3 gallons	1	604 0010

SITEMATE® Blue Flexi Bucket



FINISH	VOLUME	MIN. ORDER QTY	CODE
Blue	26 Litres	25	604 2610
Blue	42 Litres	25	604 4210

NEW

Cutting Discs for Metal



SIZE INS (MM)	MIN. ORDER QTY	CODE
4½ (115)	10	607 0050
9 (230)	10	607 0070
12 (300)	10	607 0080

SITEMATE® Fencers Line



LENGTH (M)	MIN. ORDER QTY	CODE
50	12	616 0500

NEW

Paints and Adhesives

Chemset Injection System

Two part chemical compound bonding system used with studding to anchor wall and floor plates

DESC	MIN. ORDER QTY	OUTER CARTON QTY	CODE
Dispensing Gun	1	-	426 0030
380ml Cartridge	1	12	426 0010
Standard Mixer Nozzles	1	25	426 0040



Black Touch Up Paint and Brush

FINISH	VOLUME	MIN. ORDER QTY	CODE
Satin Black	25ml	4	650 0000



Cold Galv Aerosol

Can be used on clean metal or light rust

COLOUR	VOLUME	MIN. ORDER QTY	OUTER CARTON QTY	CODE
Black	500ml	1	12	650 4000
Zinc*	500ml	1	12	650 5000

*Ideal for touching up galvanised steel work, requires undercoat



Line Marking Paint

COLOUR	VOLUME	MIN. ORDER QTY	OUTER CARTON QTY	CODE
Red	750ml	1	6	650 7000R
White	750ml	1	6	650 7000W
Yellow	750ml	1	6	650 7000Y



FIXINGS

Specialist fixings designed by fencers for fencers.

FAST, EFFECTIVE AND POWERFUL

Our range of SITEMATE® fixings have unique features designed to provide maximum efficiency, speed and power for the fencing contractor.



Nails & Staples

SITEMATE® Round Wire Nails



FINISH	LENGTH INS (MM)	GAUGE (MM)	MIN. ORDER QTY	CODE
½kg Bag				
Galvanised	1½ (40)	2.36	30 Bags	601 0171
Galvanised	2 (50)	2.65	30 Bags	601 0191
Galvanised	2½ (65)	2.65	30 Bags	601 0101
Galvanised	3 (75)	3.35	30 Bags	601 0081
Galvanised	4 (100)	4.00	30 Bags	601 0051
Galvanised	4 (100)	4.50	30 Bags	601 0041
Galvanised	5 (125)	5.60	30 Bags	601 0021
Galvanised	6 (150)	6.00	30 Bags	601 0111

SITEMATE® Round Wire Nails Continued

FINISH	LENGTH INS (MM)	GAUGE (MM)	MIN. ORDER QTY	CODE
1kg Bag				
Galvanised	1½ (40)	2.36	15 Bags	611 0171
Galvanised	1½ (40)	2.65	15 Bags	611 0161
Galvanised	2 (50)	2.65	15 Bags	611 0191
Galvanised	2½ (65)	2.65	15 Bags	611 0101
Galvanised	3 (75)	3.35	15 Bags	611 0081
Galvanised	4 (100)	4.00	15 Bags	611 0051
Galvanised	4 (100)	4.50	15 Bags	611 0041
Galvanised	5 (125)	5.60	15 Bags	611 0021
Galvanised	6 (150)	6.00	15 Bags	611 0011

2.5kg Bag				
Galvanised	1½ (40)	2.36	6 Bags	621 0171
Galvanised	1½ (40)	2.65	6 Bags	621 0161
Galvanised	2 (50)	2.65	6 Bags	621 0191
Galvanised	2½ (65)	2.65	6 Bags	621 0101
Galvanised	3 (75)	3.35	6 Bags	621 0081
Galvanised	4 (100)	4.00	6 Bags	621 0051
Galvanised	4 (100)	4.50	6 Bags	621 0041
Galvanised	5 (125)	5.60	6 Bags	621 0021
Galvanised	6 (150)	6.00	6 Bags	621 0011

5kg Tub				
Galvanised	2 (50)	2.65	1 Tub	626 1131
Galvanised	2½ (65)	2.65	1 Tub	626 1111
Galvanised	3 (75)	3.35	1 Tub	626 0811
Galvanised	4 (100)	4.00	1 Tub	626 0511

10kg Tub				
Galvanised	1½ (40)	2.36	1 Tub	626 0171
Galvanised	2 (50)	2.65	1 Tub	626 0131
Galvanised	2½ (65)	2.65	1 Tub	626 0111
Galvanised	3 (75)	3.35	1 Tub	626 0081
Galvanised	4 (100)	4.00	1 Tub	626 0051
Galvanised	4 (100)	4.50	1 Tub	626 0041
Galvanised	5 (125)	5.60	1 Tub	626 0031
Galvanised	6 (150)	6.00	1 Tub	626 0011



Count table of round wire nails per Kg. (approx)

MM	150	125	115	100	90	75	65	60	50	45	40	30	25	20
6.0	31	-	-	-	-	-	-	-	-	-	-	-	-	-
5.6	-	42	-	-	-	-	-	-	-	-	-	-	-	-
5.0	-	51	55	66	-	-	-	-	-	-	-	-	-	-
4.5	-	-	-	79	-	-	-	-	-	-	-	-	-	-
4.0	-	-	-	101	106	128	-	-	-	-	-	-	-	-
3.75	-	-	-	-	-	145	-	-	-	-	-	-	-	-
3.35	-	-	-	-	-	187	216	236	284	-	-	-	-	-
3.0	-	-	-	-	-	-	265	-	342	-	-	-	-	-
2.65	-	-	-	-	-	-	346	372	441	-	542	-	-	-
2.36	-	-	-	-	-	-	-	-	538	591	661	-	-	-
2.0	-	-	-	-	-	-	-	-	-	882	891	1241	1446	-
1.8	-	-	-	-	-	-	-	-	-	-	-	-	1847	-
1.6	-	-	-	-	-	-	-	-	-	-	-	-	2295	2685

SITEMATE® Round Wire Nails Continued



BEST
SELLER ★

BEST
SELLER ★

FINISH	LENGTH INS (MM)	GAUGE (MM)	MIN. ORDER QTY	OUTER CARTON QTY	CODE
25kg Box					
Bright	1½ (40)	2.36	1 Box	48 Boxes	401 0174
Bright	2 (50)	2.65	1 Box	48 Boxes	401 0134
Bright	3 (75)	3.35	1 Box	48 Boxes	401 0084
Bright	3 (75)	3.75	1 Box	48 Boxes	401 0074
Bright	4 (100)	4.00	1 Box	48 Boxes	401 0054
Bright	4 (100)	4.50	1 Box	48 Boxes	401 0044
Galvanised	1¼ (30)	2.36	1 Box	48 Boxes	401 0181
Galvanised	1½ (40)	2.36	1 Box	48 Boxes	401 0171
Galvanised	1½ (40)	2.65	1 Box	48 Boxes	401 0161
Galvanised	2 (50)	2.65	1 Box	48 Boxes	401 0131
Galvanised	2½ (65)	2.65	1 Box	48 Boxes	401 0111
Galvanised	2½ (65)	3.35	1 Box	48 Boxes	401 0101
Galvanised	3 (75)	3.35	1 Box	48 Boxes	401 0081
Galvanised	3 (75)	3.75	1 Box	48 Boxes	401 0071
Galvanised	3½ (90)	4.00	1 Box	48 Boxes	401 0061
Galvanised	4 (100)	4.00	1 Box	48 Boxes	401 0051
Galvanised	4 (100)	4.50	1 Box	48 Boxes	401 0041
Galvanised	5 (125)	5.60	1 Box	48 Boxes	401 0021
Galvanised	6 (150)	6.00	1 Box	48 Boxes	401 0011

SITEMATE® Extra Large Head Clout Nails



FINISH	LENGTH INS (MM)	GAUGE (MM)	MIN. ORDER QTY	CODE
1kg Bag				
Galvanised	½ (13)	3.00	15 Bags	612 0061
Galvanised	¾ (20)	3.00	15 Bags	612 0051
Galvanised	1 (25)	3.00	15 Bags	612 0041
Galvanised	1¼ (30)	3.00	15 Bags	612 0031
Galvanised	1½ (40)	3.00	15 Bags	612 0021
Galvanised	2 (50)	3.00	15 Bags	612 0011
25kg Box				
Galvanised	½ (13)	3.00	1 Box	402 0061
Galvanised	¾ (20)	3.00	1 Box	402 0051
Galvanised	1 (25)	3.00	1 Box	402 0041
Galvanised	1¼ (30)	3.00	1 Box	402 0031
Galvanised	1½ (40)	3.00	1 Box	402 0021
Galvanised	2 (50)	3.00	1 Box	402 0011

SITEMATE® Square Twisted Nails

FINISH	LENGTH INS (MM)	GAUGE (MM)	MIN. ORDER QTY	CODE
1kg Bag				
Galvanised	1¼ (30)	3.75	15 Bags	614 0301
2.5kg Bag				
Galvanised	1¼ (30)	3.75	6 Bags	624 0301
25kg Box				
Galvanised	1¼ (30)	3.75	1 Box	400 0301



SITEMATE® Spring Head Roofing Nails

FINISH	LENGTH INS (MM)	GAUGE (MM)	MIN. ORDER QTY	CODE
10kg Box				
Galvanised	2½ (65)	3.35	1 Box	410 0651



SITEMATE® Annular Ring Shank Nails

FINISH	LENGTH INS (MM)	GAUGE (MM)	MIN. ORDER QTY	613 0111
1kg Bag				
Sherardised	¾ (20)	2.00	15 Bags	613 0111
Sherardised	1½ (40)	2.65	15 Bags	613 0081
Sherardised	2 (50)	2.65	15 Bags	613 0071
Sherardised	2½ (65)	3.35	15 Bags	613 0041
Sherardised	3 (75)	3.75	15 Bags	613 0031
Sherardised	4 (100)	5.00	15 Bags	613 0021
2.5kg Bag				
Sherardised	¾ (20)	2.00	6 Bags	623 0111
Sherardised	1½ (40)	2.65	6 Bags	623 0081
Sherardised	2 (50)	2.65	6 Bags	623 0071
Sherardised	2½ (65)	3.35	6 Bags	623 0041
Sherardised	3 (75)	3.75	6 Bags	623 0031
25kg Box				
Bright	2½ (65)	3.35	1 Box	403 0044
Bright	3 (75)	3.75	1 Box	403 0034
Sherardised	1½ (40)	2.65	1 Box	403 0081
Sherardised	2 (50)	2.65	1 Box	403 0071
Sherardised	2½ (65)	3.35	1 Box	403 0041
Sherardised*	3 (75)	3.75	1 Box	403 0031
Sherardised*	4 (100)	5.00	1 Box	403 0021



* Special Order Only

SITEMATE® Cut Point Staples



1/2kg Bag

FINISH	LENGTH INS (MM)	GAUGE (MM)	MIN. ORDER QTY	CODE
Galvanised	3/4 (20)	2.00	30 Bags	605 0201
Galvanised	1 (25)	2.65	30 Bags	605 0251
Galvanised	1 1/4 (30)	3.55	30 Bags	605 0301
Galvanised	1 1/2 (40)	4.00	30 Bags	605 0401



1kg Bag

Galvanised	3/4 (20)	2.00	15 Bags	615 0201
Galvanised	1 (25)	2.65	15 Bags	615 0251
Galvanised	1 1/4 (30)	3.55	15 Bags	615 0301
Galvanised	1 1/2 (40)	4.00	15 Bags	615 0401
Galvanised	2 (50)	5.00	15 Bags	615 0501



2.5kg Bag

Galvanised	3/4 (20)	2.00	6 Bags	625 0201
Galvanised	1 (25)	2.65	6 Bags	625 0251
Galvanised	1 1/4 (30)	3.55	6 Bags	625 0301
Galvanised	1 1/2 (40)	4.00	6 Bags	625 0401
Galvanised	2 (50)	5.00	6 Bags	625 0501



5kg Tub

Galvanised	3/4 (20)	2.00	1 Tub	625 1201
Galvanised	1 (25)	2.65	1 Tub	625 1251
Galvanised	1 1/4 (30)	3.55	1 Tub	625 1301
Galvanised	1 1/2 (40)	4.00	1 Tub	625 1401
Galvanised*	2 (50)	5.00	1 Tub	625 1501



10kg Tub

Galvanised	1 1/4 (30)	3.55	1 Tub	625 2301
Galvanised	1 1/2 (40)	4.00	1 Tub	625 2401



25kg Box

Galvanised	3/4 (20)	2.00	1 Box	405 0201
Galvanised	1 (25)	2.65	1 Box	405 0251
Galvanised	1 1/4 (30)	3.55	1 Box	405 0301
Galvanised	1 1/2 (40)	4.00	1 Box	405 0401
Galvanised	2 (50)	5.00	1 Box	405 0501

* Special Order Only

SITEMATE® Barbed Staples



2.5kg Bag

Galvanised	1 1/4 (30)	3.55	6 Bags	628 0301
Galvanised	1 1/2 (40)	4.00	6 Bags	628 0401



10kg Tub

Galvanised	1 1/4 (30)	3.55	1 Tub	629 0301
Galvanised	1 1/2 (40)	4.00	1 Tub	629 0401



25kg Box

Galvanised	1 1/2 (40)	4.00	1 Box	405 1401
------------	------------	------	-------	-----------------

SITEMATE® Double Barbed Staples

FINISH	LENGTH INS (MM)	GAUGE (MM)	MIN. ORDER QTY	CODE
20kg Tub				
Galvanised	1½ (40)	4.00	1 Tub	629 1401



SITEMATE® Masonry Nails

FINISH	LENGTH INS (MM)	GAUGE (MM)	MIN. ORDER QTY	CODE
Box of 100				
BZP	4 (100)	3.50	100	404 1002



HAVE YOU SEEN OUR RETAIL DISPLAY SYSTEMS?

GATEMATE®
BY BIRKDALE

FENCEMATE®
BY BIRKDALE

SITEMATE®
BY BIRKDALE

Effective retail displays are proven to increase impulse sales and drive profitability

Our Area Sales Managers will work with your store to select a range of our products across our GateMate, FenceMate, DuraPost and SiteMate brands to help fulfill the needs of you and your customers.

We cover the whole of the UK and Ireland and will work with you to generate demand from your customers



We're always open at www.birkdalesales.com

T 0345 450 9000 **F** 0345 450 9085 **E** mail@birkdalesales.com

SITEMATE
BY BIRKDALE

COLLATED NAILS

Fed up of your gun jamming? SITEMATE®'s paper collated nails have unique features that ensure your gun runs all the time.

- Waxed paper collation avoids deterioration in wet conditions
- Complies with EN792-13:2000 7.2.1a and the requirements of all major manufacturers
- Compatible with gas, air and electric clipped head nailers

Gas with lubrication

Clipped head to increase the number of nails per strip, reducing tool loading times

34° collation angle

Diamond point to prevent timber splitting

Nails are coated to help them drive in effectively



SITEMATE® Collated Ring Shank Nails

Includes 1 fuel cell per 1100 nails



FINISH	LENGTH INS (MM)	GAUGE (MM)	UNIT QTY	MIN. ORDER QTY	CODE
Box					
BZP	2 (50)	2.90	3300	1	682 0502
BZP	2½ (65)	2.90	3300	1	682 0652
BZP	3 (76)	3.10	2200	1	682 0762
Galvanised	2 (50)	2.90	3300	1	682 0501
Galvanised	2½ (65)	2.90	3300	1	682 0651
Galvanised	3 (76)	3.10	2200	1	682 0761

SITEMATE® Collated Smooth Shank Nails

Includes 2 fuel cells



FINISH	LENGTH (MM)	GAUGE (MM)	UNIT QTY	MIN. ORDER QTY	CODE
Box					
BZP	90	3.10	2200	1	682 0902
Galvanised	90	3.10	2200	1	682 0901

SITEMATE® Fuel Cells

DESC	MIN. ORDER QTY	CODE
Gas	1	682 0000



NailFire® Collated Ring Shank Nails

Includes 1 fuel cell per 1000 nails

FINISH	LENGTH INS (MM)	GAUGE (MM)	UNIT QTY	MIN. ORDER QTY	PALLET QTY	CODE
Handy Pack Tub						
BZP	2 (50)	2.90	1000	1	-	631 0502
BZP	2½ (65)	2.90	1000	1	-	631 0652
BZP	3 (76)	3.10	1000	1	-	631 0762
Trade Pack Tub						
BZP	2 (50)	2.90	3000	1	64	632 0502
BZP	2½ (65)	2.90	3000	1	64	632 0652
BZP	3 (76)	3.10	2000	1	64	632 0762
Galvanised	2 (50)	2.90	3000	1	64	632 0501
Galvanised	2½ (65)	2.90	3000	1	64	632 0651
Galvanised	3 (76)	3.10	2000	1	64	632 0761



NailFire® Collated Smooth Nails

1 fuel cell per 1000 nails included

FINISH	LENGTH (MM)	GAUGE (MM)	UNIT QTY	MIN. ORDER QTY	PALLET QTY	CODE
Trade Pack Tub						
BZP	90	3.10	2000	1	64	632 0902
Galvanised	90	3.10	2000	1	64	632 0901
Handy Pack Tub						
BZP	90	3.10	1000	1	-	631 0902



NailFire® Fuel Cell

DESC	MIN. ORDER QTY	CODE
Lubricated gas	1	632 0000



Woodscrews

SITEMATE
BY BIRKDALE

POWER PRO® TIMBER SCREWS

- Available in BZP, ruspert silver or black
- Ruspert screws are 500 hours salt spray tested, offering very high corrosion resistance!
- Ruspert finishes are designed for outdoor ironmongery use

Special thread geometry with molecular lubrication

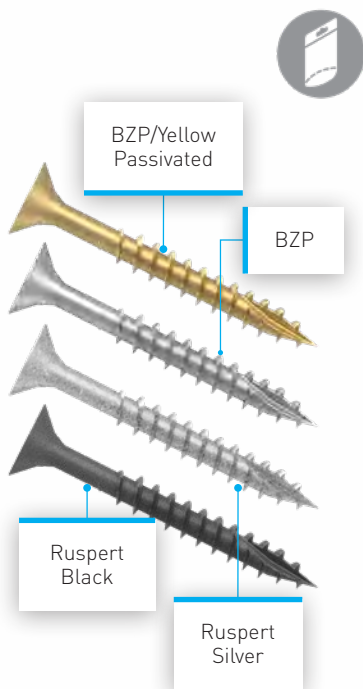
Double countersunk or standard pan head for increased head strength

Super sharp cutpoint tip

PREMIUM
QUALITY

PRE
PACKED

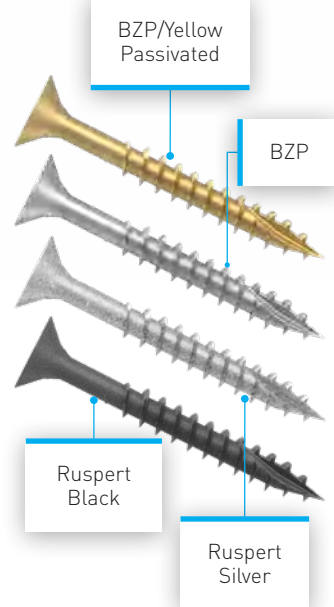
SITEMATE® Countersunk PowerPro® Timber Screw



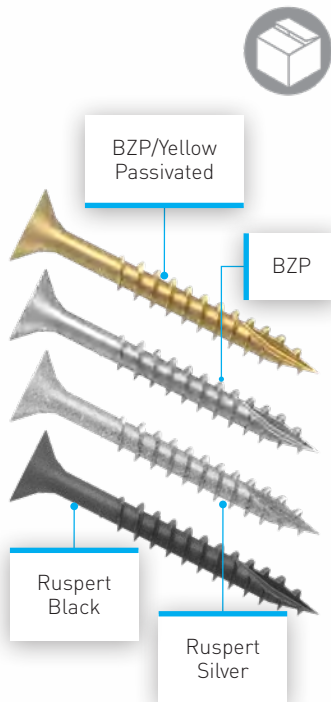
FINISH	SIZE (MM)	IMPERIAL EQUIV	MIN. ORDER QTY	CODE
Bag of 25				
BZP/Yellow Passivated	4 x 25	8 x 1	5 Bags	394 00258
BZP/Yellow Passivated	4 x 30	8 x 1¼	5 Bags	394 00308
BZP/Yellow Passivated	4 x 40	8 x 1½	5 Bags	394 00408
BZP/Yellow Passivated	5 x 30	10 x 1¼	5 Bags	395 00308
BZP/Yellow Passivated	5 x 40	10 x 1½	5 Bags	395 00408
BZP/Yellow Passivated	5 x 50	10 x 2	5 Bags	395 00508
BZP/Yellow Passivated	5 x 80	10 x 3¼	5 Bags	395 00808
BZP/Yellow Passivated	6 x 40	12 x 1½	5 Bags	396 00408
BZP/Yellow Passivated	6 x 50	12 x 2	5 Bags	396 00508
BZP/Yellow Passivated	6 x 80	12 x 3¼	5 Bags	396 00808
Ruspert Black	4 x 25	8 x 1	5 Bags	394 00253
Ruspert Black	4 x 30	8 x 1¼	5 Bags	394 00303
Ruspert Black	4 x 40	8 x 1½	5 Bags	394 00403
Ruspert Black	5 x 30	10 x 1¼	5 Bags	395 00303
Ruspert Black	5 x 40	10 x 1½	5 Bags	395 00403
Ruspert Black	5 x 50	10 x 2	5 Bags	395 00503
Ruspert Black	6 x 40	12 x 1½	5 Bags	396 00403
Ruspert Black	6 x 50	12 x 2	5 Bags	396 00503
Ruspert Black	6 x 80	12 x 3¼	5 Bags	396 00803
Ruspert Silver	4 x 25	8 x 1	5 Bags	394 00251
Ruspert Silver	4 x 30	8 x 1¼	5 Bags	394 00301
Ruspert Silver	4 x 40	8 x 1½	5 Bags	394 00401
Ruspert Silver	5 x 40	10 x 1½	5 Bags	395 00401
Ruspert Silver	5 x 50	10 x 2	5 Bags	395 00501
Ruspert Silver	6 x 40	12 x 1½	5 Bags	396 00401
Ruspert Silver	6 x 50	12 x 2	5 Bags	396 00501
Ruspert Silver	6 x 80	12 x 3¼	5 Bags	396 00801
Ruspert Silver	6 x 90	12 x 3½	5 Bags	396 00901

SITEMATE® Countersunk PowerPro® Timber Screw Continued

FINISH	SIZE (MM)	IMPERIAL EQUIV	UNIT QTY	INNER CARTON QTY	OUTER CARTON QTY	CODE
Box						
BZP	3.5 x 25	6 x 1	Box of 200	10 Boxes	120 Boxes	373 50252
BZP	3.5 x 30	6 x 1¼	Box of 200	10 Boxes	60 Boxes	373 50302
BZP	3.5 x 40	6 x 1½	Box of 200	10 Boxes	60 Boxes	373 50402
BZP	3.5 x 50	6 x 2	Box of 200	10 Boxes	60 Boxes	373 50502
BZP	4 x 25	8 x 1	Box of 200	10 Boxes	60 Boxes	374 00252
BZP	4 x 30	8 x 1¼	Box of 200	10 Boxes	60 Boxes	374 00302
BZP	4 x 40	8 x 1½	Box of 200	5 Boxes	40 Boxes	374 00402
BZP	4 x 45	8 x 1¾	Box of 200	5 Boxes	40 Boxes	374 00452
BZP	4 x 50	8 x 2	Box of 200	5 Boxes	40 Boxes	374 00502
BZP	4 x 60	8 x 2⅜	Box of 100	5 Boxes	60 Boxes	374 00602
BZP	4 x 70	8 x 2¾	Box of 100	5 Boxes	60 Boxes	374 00702
BZP	4.5 x 25	9 x 1	Box of 200	10 Boxes	60 Boxes	374 50252
BZP	4.5 x 30	9 x 1¼	Box of 200	10 Boxes	60 Boxes	374 50302
BZP	4.5 x 40	9 x 1½	Box of 200	5 Boxes	40 Boxes	374 50402
BZP	4.5 x 50	9 x 2	Box of 200	5 Boxes	30 Boxes	374 50502
BZP	4.5 x 70	9 x 2¾	Box of 100	5 Boxes	40 Boxes	374 50702
BZP	5 x 30	10 x 1¼	Box of 200	5 Boxes	40 Boxes	375 00302
BZP	5 x 40	10 x 1½	Box of 200	5 Boxes	20 Boxes	375 00402
BZP	5 x 50	10 x 2	Box of 200	5 Boxes	20 Boxes	375 00502
BZP	5 x 60	10 x 2⅜	Box of 100	5 Boxes	40 Boxes	375 00602
BZP	5 x 70	10 x 2¾	Box of 100	5 Boxes	40 Boxes	375 00702
BZP	5 x 80	10 x 3¼	Box of 100	5 Boxes	20 Boxes	375 00802
BZP	5 x 90	10 x 3½	Box of 100	5 Boxes	20 Boxes	375 00902
BZP	5 x 100	10 x 4	Box of 100	5 Boxes	20 Boxes	375 01002
BZP	6 x 40	12 x 1½	Box of 100	5 Boxes	40 Boxes	376 00402
BZP	6 x 50	12 x 2	Box of 100	5 Boxes	40 Boxes	376 00502
BZP	6 x 60	12 x 2⅜	Box of 100	5 Boxes	20 Boxes	376 00602
BZP	6 x 80	12 x 3¼	Box of 100	5 Boxes	20 Boxes	376 00802
BZP	6 x 90	12 x 3½	Box of 100	5 Boxes	20 Boxes	376 00902
BZP	6 x 100	12 x 4	Box of 100	1 Box	9 Boxes	376 01002
BZP/Yellow Passivated	3 x 12	5 x ½	Box of 200	15 Boxes	150 Boxes	373 00128
BZP/Yellow Passivated	3 x 16	5 x ⅝	Box of 200	15 Boxes	150 Boxes	373 00168
BZP/Yellow Passivated	3 x 20	5 x ¾	Box of 200	15 Boxes	150 Boxes	373 00208
BZP/Yellow Passivated	3 x 25	5 x 1	Box of 200	15 Boxes	150 Boxes	373 00258
BZP/Yellow Passivated	3 x 30	5 x 1¼	Box of 200	10 Boxes	120 Boxes	373 00308
BZP/Yellow Passivated	3.5 x 16	6 x ⅝	Box of 200	10 Boxes	120 Boxes	373 50168
BZP/Yellow Passivated	3.5 x 25	6 x 1	Box of 200	10 Boxes	120 Boxes	373 50258
BZP/Yellow Passivated	3.5 x 30	6 x 1¼	Box of 200	10 Boxes	60 Boxes	373 50308
BZP/Yellow Passivated	3.5 x 40	6 x 1½	Box of 200	10 Boxes	60 Boxes	373 50408
BZP/Yellow Passivated	3.5 x 50	6 x 2	Box of 200	10 Boxes	60 Boxes	373 50508
BZP/Yellow Passivated	4 x 25	8 x 1	Box of 200	10 Boxes	60 Boxes	374 00258
BZP/Yellow Passivated	4 x 30	8 x 1¼	Box of 200	10 Boxes	60 Boxes	374 00308
BZP/Yellow Passivated	4 x 40	8 x 1½	Box of 200	5 Boxes	40 Boxes	374 00408
BZP/Yellow Passivated	4 x 45	8 x 1¾	Box of 200	5 Boxes	40 Boxes	374 00458
BZP/Yellow Passivated	4 x 50	8 x 2	Box of 200	5 Boxes	40 Boxes	374 00508
BZP/Yellow Passivated	4 x 60	8 x 2⅜	Box of 100	5 Boxes	60 Boxes	374 00608
BZP/Yellow Passivated	4 x 70	8 x 2¾	Box of 100	5 Boxes	60 Boxes	374 00708
BZP/Yellow Passivated	4.5 x 25	9 x 1	Box of 200	10 Boxes	60 Boxes	374 50258
BZP/Yellow Passivated	4.5 x 30	9 x 1¼	Box of 200	10 Boxes	60 Boxes	374 50308



SITEMATE® Countersunk PowerPro® Timber Screw Continued



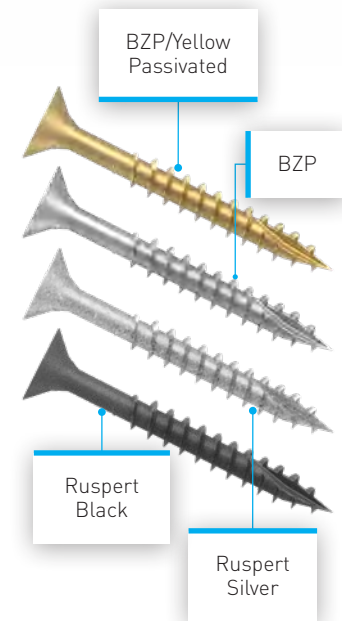
FINISH	SIZE (MM)	IMPERIAL EQUIV	UNIT QTY	INNER CARTON QTY	OUTER CARTON QTY	CODE
Box Continued						
BZP/Yellow Passivated	4.5 x 40	9 x 1½	Box of 200	5 Boxes	40 Boxes	374 50408
BZP/Yellow Passivated	4.5 x 50	9 x 2	Box of 200	5 Boxes	30 Boxes	374 50508
BZP/Yellow Passivated	4.5 x 70	9 x 2¾	Box of 100	5 Boxes	40 Boxes	374 50708
BZP/Yellow Passivated	5 x 30	10 x 1¼	Box of 200	5 Boxes	40 Boxes	375 00308
BZP/Yellow Passivated	5 x 40	10 x 1½	Box of 200	5 Boxes	20 Boxes	375 00408
BZP/Yellow Passivated	5 x 50	10 x 2	Box of 200	5 Boxes	20 Boxes	375 00508
BZP/Yellow Passivated	5 x 60	10 x 2¾	Box of 100	5 Boxes	40 Boxes	375 00608
BZP/Yellow Passivated	5 x 70	10 x 2¾	Box of 100	5 Boxes	40 Boxes	375 00708
BZP/Yellow Passivated	5 x 80	10 x 3¼	Box of 100	5 Boxes	20 Boxes	375 00808
BZP/Yellow Passivated	5 x 90	10 x 3½	Box of 100	5 Boxes	20 Boxes	375 00908
BZP/Yellow Passivated	5 x 100	10 x 4	Box of 100	5 Boxes	40 Boxes	375 01008
BZP/Yellow Passivated	6 x 40	12 x 1½	Box of 100	5 Boxes	40 Boxes	376 00408
BZP/Yellow Passivated	6 x 50	12 x 2	Box of 100	5 Boxes	20 Boxes	376 00508
BZP/Yellow Passivated	6 x 60	12 x 2¾	Box of 100	5 Boxes	20 Boxes	376 00608
BZP/Yellow Passivated	6 x 80	12 x 3¼	Box of 100	5 Boxes	20 Boxes	376 00808
BZP/Yellow Passivated	6 x 90	12 x 3½	Box of 100	5 Boxes	20 Boxes	376 00908
BZP/Yellow Passivated	6 x 100	12 x 4	Box of 100	1 Box	9 Boxes	376 01008
BZP/Yellow Passivated	6 x 120	12 x 4¾	Box of 100	1 Box	9 Boxes	376 01208
BZP/Yellow Passivated	6 x 130	12 x 5½	Box of 100	1 Box	9 Boxes	376 01308
BZP/Yellow Passivated	6 x 150	12 x 5	Box of 100	1 Box	9 Boxes	376 01508
Ruspert Black	3.5 x 25	6 x 1	Box of 200	10 Boxes	120 Boxes	373 50253
Ruspert Black	4 x 25	8 x 1	Box of 200	10 Boxes	60 Boxes	374 00253
Ruspert Black	4 x 30	8 x 1¼	Box of 200	10 Boxes	60 Boxes	374 00303
Ruspert Black	4 x 40	8 x 1½	Box of 200	5 Boxes	40 Boxes	374 00403
Ruspert Black	4.5 x 50	9 x 2	Box of 200	5 Boxes	30 Boxes	374 50503
Ruspert Black	4.5 x 70	9 x 2¾	Box of 100	5 Boxes	40 Boxes	374 50703
Ruspert Black	5 x 30	10 x 1¼	Box of 200	5 Boxes	40 Boxes	375 00303
Ruspert Black	5 x 40	10 x 1½	Box of 200	5 Boxes	20 Boxes	375 00403
Ruspert Black	5 x 50	10 x 2	Box of 200	5 Boxes	20 Boxes	375 00503
Ruspert Black	5 x 70	10 x 2¾	Box of 100	5 Boxes	40 Boxes	375 00703
Ruspert Black	6 x 40	12 x 1½	Box of 100	5 Boxes	40 Boxes	376 00403
Ruspert Black	6 x 50	12 x 2	Box of 100	5 Boxes	40 Boxes	376 00503
Ruspert Black	6 x 60	12 x 2¾	Box of 100	5 Boxes	10 Boxes	376 00603
Ruspert Black	6 x 80	12 x 3¼	Box of 100	5 Boxes	20 Boxes	376 00803
Ruspert Silver	3.5 x 25	6 x 1	Box of 200	10 Boxes	120 Boxes	373 50251
Ruspert Silver	4 x 25	8 x 1	Box of 200	10 Boxes	60 Boxes	374 00251
Ruspert Silver	4 x 30	8 x 1¼	Box of 200	10 Boxes	60 Boxes	374 00301
Ruspert Silver	4 x 40	8 x 1½	Box of 200	5 Boxes	40 Boxes	374 00401
Ruspert Silver	4 x 50	8 x 2	Box of 200	5 Boxes	40 Boxes	374 00501
Ruspert Silver	4 x 60	8 x 2¾	Box of 100	5 Boxes	60 Boxes	374 00601
Ruspert Silver	4 x 70	8 x 2¾	Box of 100	5 Boxes	60 Boxes	374 00701
Ruspert Silver	5 x 30	10 x 1¼	Box of 200	5 Boxes	40 Boxes	375 00301
Ruspert Silver	5 x 40	10 x 1½	Box of 200	5 Boxes	20 Boxes	375 00401
Ruspert Silver	5 x 50	10 x 2	Box of 200	5 Boxes	20 Boxes	375 00501
Ruspert Silver	5 x 60	10 x 2¾	Box of 100	5 Boxes	40 Boxes	375 00601
Ruspert Silver	5 x 70	10 x 2¾	Box of 100	5 Boxes	40 Boxes	375 00701
Ruspert Silver	5 x 80	10 x 3¼	Box of 100	5 Boxes	20 Boxes	375 00801
Ruspert Silver	5 x 100	10 x 4	Box of 100	5 Boxes	20 Boxes	375 01001
Ruspert Silver	6 x 40	12 x 1½	Box of 100	5 Boxes	40 Boxes	376 00401

SITEMATE® Countersunk PowerPro® Timber Screw Continued

FINISH	SIZE (MM)	IMPERIAL EQUIV	UNIT QTY	INNER CARTON QTY	OUTER CARTON QTY	CODE
Box Continued						
Ruspert Silver	6 x 50	12 x 2	Box of 100	5 Boxes	40 Boxes	376 00501
Ruspert Silver	6 x 60	12 x 2 ³ / ₈	Box of 200	5 Boxes	10 Boxes	376 00601
Ruspert Silver	6 x 80	12 x 3 ¹ / ₄	Box of 100	5 Boxes	20 Boxes	376 00801
Ruspert Silver	6 x 90	12 x 3 ¹ / ₂	Box of 100	5 Boxes	20 Boxes	376 00901
Ruspert Silver	6 x 100	12 x 4	Box of 100	5 Boxes	9 Boxes	376 01001

Tub

BZP	4 x 30	8 x 1 ¹ / ₄	Tub of 1500	-	136 Tubs	364 00302
BZP	4 x 40	8 x 1 ¹ / ₂	Tub of 1200	-	136 Tubs	364 00402
BZP	4 x 50	8 x 2	Tub of 800	-	136 Tubs	364 00502
BZP	4 x 60	8 x 2 ³ / ₈	Tub of 600	-	136 Tubs	364 00602
BZP	4 x 70	8 x 2 ³ / ₄	Tub of 500	-	136 Tubs	364 00702
BZP	5 x 50	10 x 2	Tub of 500	-	136 Tubs	365 00502
BZP	5 x 60	10x2D	Tub of 400	-	136 Tubs	365 00602
BZP	5 x 70	10 x 2 ³ / ₄	Tub of 375	-	136 Tubs	365 00702
BZP	5 x 80	10 x 3 ¹ / ₄	Tub of 350	-	136 Tubs	365 00802
BZP	5 x 90	10 x 3 ¹ / ₂	Tub of 325	-	136 Tubs	365 00902
BZP	5 x 100	10 x 4	Tub of 300	-	136 Tubs	365 01002
BZP/Yellow Passivated	4 x 25	8 x 1	Tub of 1700	-	136 Tubs	364 00258
BZP/Yellow Passivated	4 x 30	8 x 1 ¹ / ₄	Tub of 1500	-	136 Tubs	364 00308
BZP/Yellow Passivated	4 x 40	8 x 1 ¹ / ₂	Tub of 1200	-	136 Tubs	364 00408
BZP/Yellow Passivated	4 x 50	8 x 2	Tub of 800	-	136 Tubs	364 00508
BZP/Yellow Passivated	4 x 60	8 x 2 ³ / ₈	Tub of 600	-	136 Tubs	364 00608
BZP/Yellow Passivated	4 x 70	8 x 2 ³ / ₄	Tub of 500	-	136 Tubs	364 00708
BZP/Yellow Passivated	5 x 50	10 x 2	Tub of 500	-	136 Tubs	365 00508
BZP/Yellow Passivated	5 x 60	10x2D	Tub of 400	-	136 Tubs	365 00608
BZP/Yellow Passivated	5 x 70	10 x 2 ³ / ₄	Tub of 375	-	136 Tubs	365 00708
BZP/Yellow Passivated	5 x 80	10 x 3 ¹ / ₄	Tub of 350	-	136 Tubs	365 00808
BZP/Yellow Passivated	5 x 90	10 x 3 ¹ / ₂	Tub of 325	-	136 Tubs	365 00908
BZP/Yellow Passivated	5 x 100	10 x 4	Tub of 300	-	136 Tubs	365 01008
BZP/Yellow Passivated	6 x 100	12 x 4	Tub of 225	-	136 Tubs	366 01008
Ruspert Silver	4 x 30	8 x 1 ¹ / ₄	Tub of 1500	-	136 Tubs	364 00301
Ruspert Silver	4 x 40	8 x 1 ¹ / ₂	Tub of 1200	-	136 Tubs	364 00401
Ruspert Silver	4 x 50	8 x 2	Tub of 800	-	136 Tubs	364 00501
Ruspert Silver	4 x 60	8 x 3 ¹ / ₈	Tub of 600	-	136 Tubs	364 00601
Ruspert Silver	4 x 70	8 x 2 ³ / ₄	Tub of 500	-	136 Tubs	364 00701
Ruspert Silver	5 x 50	10 x 2	Tub of 500	-	136 Tubs	365 00501
Ruspert Silver	5 x 60	10x2D	Tub of 400	-	136 Tubs	365 00601
Ruspert Silver	5 x 70	10 x 2 ³ / ₄	Tub of 375	-	136 Tubs	365 00701
Ruspert Silver	5 x 80	10 x 3 ¹ / ₄	Tub of 350	-	136 Tubs	365 00801
Ruspert Silver	5 x 100	10 x 4	Tub of 300	-	136 Tubs	365 01001



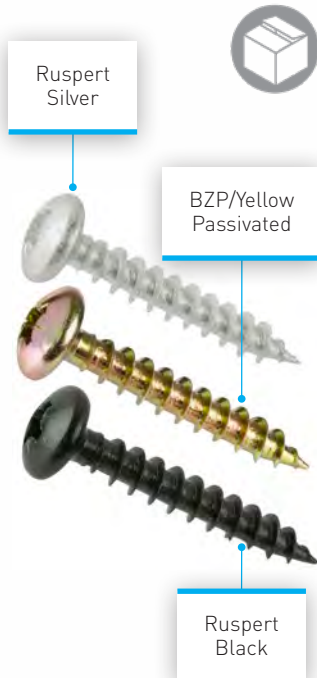
SCREW GAUGE

METRIC EQUIVALENT MM

NEAREST 'ROUNDED' METRIC EQUIVALENT

4	2.74	M3
5	3.10	M3
6	3.45	M3.5
7	3.81	M4
8	4.17	M4
9	4.52	M4.5
10	4.88	M5
12	5.59	M6

SITEMATE® Pan Head PowerPro® Timber Screw



FINISH	SIZE (MM)	IMPERIAL EQUIV	UNIT QTY	INNER CARTON QTY	OUTER CARTON QTY	CODE
Box						
BZP/Yellow Passivated	4 x 20	8 x ¾	Box of 200	10 Boxes	60 Boxes	334 00208
BZP/Yellow Passivated	4 x 25	8 x 1	Box of 200	10 Boxes	60 Boxes	334 00258
BZP/Yellow Passivated	4 x 30	8 x 1¼	Box of 200	10 Boxes	60 Boxes	334 00308
BZP/Yellow Passivated	4 x 40	8 x 1½	Box of 200	5 Boxes	40 Boxes	334 00408
BZP/Yellow Passivated	4 x 50	8 x 2	Box of 200	5 Boxes	40 Boxes	334 00508
BZP/Yellow Passivated	5 x 30	10 x 1¼	Box of 200	5 Boxes	40 Boxes	335 00308
BZP/Yellow Passivated	5 x 40	10 x 1½	Box of 200	5 Boxes	20 Boxes	335 00408
BZP/Yellow Passivated	5 x 50	10 x 2	Box of 200	5 Boxes	20 Boxes	335 00508
Ruspert Black	4 x 25	8 x 1	Box of 200	10 Boxes	60 Boxes	334 00253
Ruspert Black	4 x 30	8 x 1¼	Box of 200	10 Boxes	60 Boxes	334 00303
Ruspert Black	4 x 40	8 x 1½	Box of 200	5 Boxes	40 Boxes	334 00403
Ruspert Black	4 x 50	8 x 2	Box of 200	5 Boxes	40 Boxes	334 00503
Ruspert Black	5 x 25	10 x 1	Box of 200	5 Boxes	40 Boxes	335 00253
Ruspert Black	5 x 30	10 x 1¼	Box of 200	5 Boxes	40 Boxes	335 00303
Ruspert Black	5 x 40	10 x 1½	Box of 200	5 Boxes	20 Boxes	335 00403
Ruspert Black	5 x 50	10 x 2	Box of 200	5 Boxes	20 Boxes	335 00503
Ruspert Black	6 x 40	12 x 1½	Box of 100	5 Boxes	40 Boxes	336 00403
Ruspert Black	6 x 50	12 x 2	Box of 100	5 Boxes	40 Boxes	336 00503
Ruspert Silver	4 x 20	8 x ¾	Box of 200	10 Boxes	60 Boxes	334 00201
Ruspert Silver	4 x 25	8 x 1	Box of 200	10 Boxes	60 Boxes	334 00251
Ruspert Silver	4 x 30	8 x 1¼	Box of 200	10 Boxes	60 Boxes	334 00301
Ruspert Silver	4 x 40	8 x 1½	Box of 200	5 Boxes	40 Boxes	334 00401
Ruspert Silver	4 x 50	8 x 2	Box of 200	5 Boxes	40 Boxes	334 00501
Ruspert Silver	5 x 25	10 x 1	Box of 200	5 Boxes	40 Boxes	335 00251
Ruspert Silver	5 x 30	10 x 1¼	Box of 200	5 Boxes	40 Boxes	335 00301
Ruspert Silver	5 x 40	10 x 1½	Box of 200	5 Boxes	20 Boxes	335 00401
Ruspert Silver	5 x 50	10 x 2	Box of 200	5 Boxes	20 Boxes	335 00501
Ruspert Silver	6 x 40	12 x 1½	Box of 100	5 Boxes	40 Boxes	336 00401
Ruspert Silver	6 x 50	12 x 2	Box of 100	5 Boxes	40 Boxes	336 00501

“ Top notch

Never have I been more compelled to reach for the crayons and colour myself tickled pink than when dealing with Birkdale. Next day deliveries, quality products, helpful sales team and the occasional Easter chocolate.



SITEMATE
BY BIRKDALE

HIGH PERFORMANCE TIMBER SCREWS

- Includes high torque driver bit with advanced hold for easy one-handed use
- High corrosion resistance ruspert finish – 1,000 hours salt spray tested!

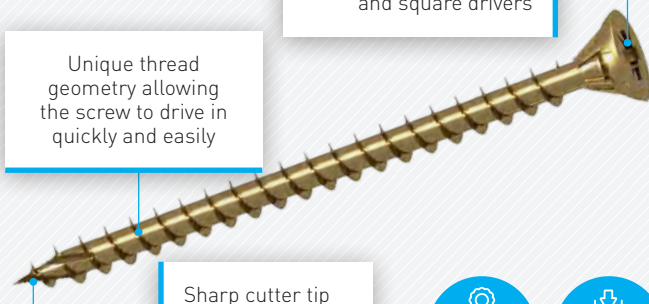
Unique thread geometry allowing the screw to drive in quickly and easily

Special head can be used with pozi, phillips and square drivers

Sharp cutter tip – cuts into wood effortlessly

PREMIUM QUALITY

PRE PACKED



SITEMATE® High Performance Timber Screw

FINISH	SIZE (MM)	IMPERIAL EQUIV	UNIT QTY	MIN. ORDER QTY	CODE
Box					
BZP/Yellow passivated	3.5x16	6 x 5/8	Box of 200	1 Box	473 50162
BZP/Yellow passivated	3.5x25	6 x 1	Box of 200	1 Box	473 50252
BZP/Yellow passivated	3.5x30	6 x 1 1/4	Box of 200	1 Box	473 50302
BZP/Yellow passivated	3.5x40	6 x 1 1/2	Box of 200	1 Box	473 50402
BZP/Yellow passivated	3.5x50	6 x 2	Box of 200	1 Box	473 50502
BZP/Yellow passivated	4x25	8 x 1	Box of 200	1 Box	474 00252
BZP/Yellow passivated	4x30	8 x 1 1/4	Box of 200	1 Box	474 00302
BZP/Yellow passivated	4x40	8 x 1 1/2	Box of 200	1 Box	474 00402
BZP/Yellow passivated	4x45	8 x 1 3/4	Box of 200	1 Box	474 00452
BZP/Yellow passivated	4x50	8 x 2	Box of 200	1 Box	474 00502
BZP/Yellow passivated	4x60	8 x 2 1/4	Box of 200	1 Box	474 00602
BZP/Yellow passivated	4x70	8 x 2 3/4	Box of 200	1 Box	474 00702
BZP/Yellow passivated	5x30	10 x 1 1/4	Box of 200	1 Box	475 00302
BZP/Yellow passivated	5x40	10 x 1 1/2	Box of 200	1 Box	475 00402
BZP/Yellow passivated	5x50	10 x 2	Box of 200	1 Box	475 00502
BZP/Yellow passivated	5x60	10 x 2 3/8	Box of 200	1 Box	475 00602
BZP/Yellow passivated	5x70	10 x 2 3/4	Box of 200	1 Box	475 00702
BZP/Yellow passivated	5x80	10 x 3 1/8	Box of 100	1 Box	475 00802
BZP/Yellow passivated	5x90	10 x 3 1/2	Box of 100	1 Box	475 00902
BZP/Yellow passivated	5x100	10 x 4	Box of 100	1 Box	475 01002
BZP/Yellow passivated	6x40	12 x 1 1/2	Box of 200	1 Box	476 00402
BZP/Yellow passivated	6x50	12 x 2	Box of 200	1 Box	476 00502
BZP/Yellow passivated	6x60	12 x 2 3/8	Box of 200	1 Box	476 00602
BZP/Yellow passivated	6x80	12 x 3 1/8	Box of 100	1 Box	476 00802
BZP/Yellow passivated	6x100	12 x 4	Box of 100	1 Box	476 01002
BZP/Yellow passivated	6x120	12 x 4 3/4	Box of 100	1 Box	476 01202
BZP/Yellow passivated	6x130	12 x 5 1/8	Box of 100	1 Box	476 01302
BZP/Yellow passivated	6x150	12 x 6	Box of 100	1 Box	476 01502



Includes **high torque driver bit** with advanced hold for easy 1-handed use!

SITEMATE® High Performance Timber Screw Continued



FINISH	SIZE (MM)	IMPERIAL EQUIV	UNIT QTY	MIN. ORDER QTY	CODE
Tub					
BZP/Yellow passivated	4x30	8 x 1¼	Tub of 500	1 Tub	464 00302
BZP/Yellow passivated	4x40	8 x 1½	Tub of 500	1 Tub	464 00402
BZP/Yellow passivated	5x50	10 x 2	Tub of 500	1 Tub	465 00502
BZP/Yellow passivated	5x60	10 x 2¾	Tub of 300	1 Tub	465 00602
BZP/Yellow passivated	5x70	10 x 2¾	Tub of 300	1 Tub	465 00702
BZP/Yellow passivated	5x80	10 x 3½	Tub of 300	1 Tub	465 00802
BZP/Yellow passivated	5x100	10 x 4	Tub of 300	1 Tub	465 01002

**POWER PRO®
DECKING SCREWS**

Designed to be fast, effective and powerful our SITEMATE PowerPro® decking screws allows you to get the job done right the first time.

Self countersinking head

Type 17 cut point allows the user to drive the screw in quickly and efficiently



Corrosion resistant organically coated ruspert finish – 1,000 hours salt spray tested

SITEMATE® PowerPro® Decking Screw



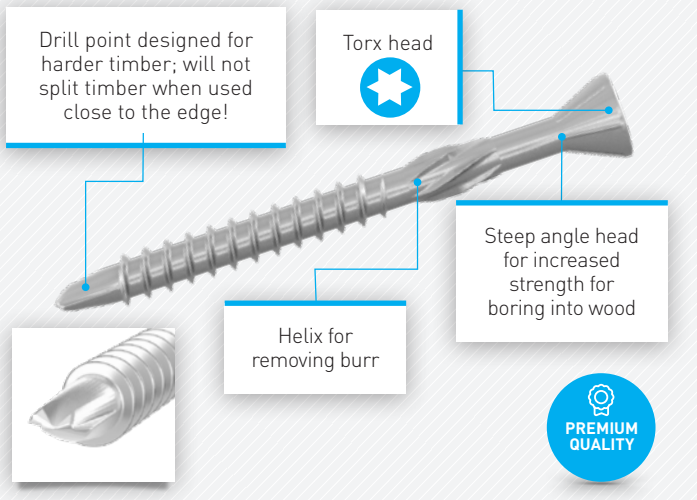
NEW

FINISH	LENGTH INS (MM)	GAUGE (MM)	MIN. ORDER QTY	OUTER CARTON QTY	CODE
Box of 200					
Green Ruspert	2 (50)	8 (4.5)	1 Box	20 Boxes	434 50500
Green Ruspert	2½ (60)	8 (4.5)	1 Box	20 Boxes	434 50600
Green Ruspert	3 (75)	8 (4.5)	1 Box	-	434 50750
Tub of 500					
Green Ruspert	2 (50)	8 (4.5)	1 Tub	-	444 50500
Green Ruspert	2½ (60)	8 (4.5)	1 Tub	-	444 50600
Green Ruspert	3 (75)	8 (4.5)	1 Tub	-	444 50750
Tub of 1000					
Green Ruspert	2 (50)	8 (4.5)	1 Tub	-	454 50500
Green Ruspert	2½ (60)	8 (4.5)	1 Tub	-	454 50600
Green Ruspert	3 (75)	8 (4.5)	1 Tub	-	454 50750

SITEMATE
BY BIRKDALE

DECKING SCREWS

- Stainless steel construction for high corrosion resistance
- Features a helix to prevent burr from becoming trapped under the head and stopping the screw from sitting correctly. The helix structure also locks into the board to prevent lifting
- Special drill point; ideal for drilling into harder timber



SITEMATE® Stainless Steel Decking Screw with Countersunk Torx Head

Constructed from Grade 316 stainless steel

FINISH	LENGTH INS (MM)	GAUGE (MM)	MIN. ORDER QTY	CODE
Box of 200				
Stainless Steel	2 (50)	4.50	1 Box	432 0506
Stainless Steel	2½ (60)	4.50	1 Box	432 0606
Stainless Steel	2¾ (70)	4.50	1 Box	432 0706



SITEMATE® Premium Decking Screw

FINISH	LENGTH INS (MM)	GAUGE (MM)	MIN. ORDER QTY	OUTER CARTON QTY	CODE
Box of 200					
Green Ruspert	2 (50)	8 (4.5)	1 Box	20 Boxes	432 4510
Green Ruspert	2½ (60)	8 (4.5)	1 Box	20 Boxes	432 6010
Green Ruspert	3 (75)	8 (4.5)	1 Box	12 Boxes	432 7510
Tub of 500					
Green Ruspert	2 (50)	8 (4.5)	1 Tub	8 Tubs	431 5110
Green Ruspert	2½ (60)	8 (4.5)	1 Tub	8 Tubs	431 6110
Green Ruspert	3 (75)	8 (4.5)	1 Tub	8 Tubs	431 7610
Tub of 1000					
Green Ruspert	2 (50)	8 (4.5)	1 Tub	4 Tubs	431 5010
Green Ruspert	2½ (60)	8 (4.5)	1 Tub	4 Tubs	431 6010
Green Ruspert	3 (75)	8 (4.5)	1 Tub	4 Tubs	431 7510



SITEMATE
BY BIRKDALE

STAINLESS STEEL WAFER HEAD TIMBER SCREWS

- Stainless steel finish for to up 1,000 hours salt spray resistance
- Features synthetic dry lubrication

20° sharp point for easy penetration and improved thread acceptance

Type 17 slash to reduce torque and likelihood of timber splitting close to the edge

50° deep single thread; providing secure fixing with high pull out resistance



SITEMATE® Stainless Steel Wafer Head Timber Screws

Constructed from Grade 316 stainless steel



FINISH	LENGTH (MM)	GAUGE (MM)	UNIT QTY	MIN. ORDER QTY	CODE
Bag of 20					
Stainless Steel	70	6	5 Bags	-	951 60706
Stainless Steel	80	6	5 Bags	-	951 60806
Stainless Steel	90	6	5 Bags	-	951 60906
Stainless Steel	100	6	5 Bags	-	951 61006
Stainless Steel	120	6	5 Bags	-	951 61206
Stainless Steel	140	6	5 Bags	-	951 61406
Stainless Steel	160	6	5 Bags	-	951 61606
Stainless Steel	100	8	5 Bags	-	951 81006
Stainless Steel	120	8	5 Bags	-	951 81206
Stainless Steel	140	8	5 Bags	-	951 81406
Stainless Steel	180	8	5 Bags	-	951 81806
Stainless Steel	220	8	5 Bags	-	951 82206
Stainless Steel	250	8	5 Bags	-	951 82506
Stainless Steel	300	8	5 Bags	-	951 83006



FINISH	LENGTH (MM)	GAUGE (MM)	UNIT QTY	MIN. ORDER QTY	CODE
Box					
Stainless Steel	70	6	Box of 100	1 Box	950 60706
Stainless Steel	80	6	Box of 100	1 Box	950 60806
Stainless Steel	90	6	Box of 100	1 Box	950 60906
Stainless Steel	100	6	Box of 100	1 Box	950 61006
Stainless Steel	120	6	Box of 100	1 Box	950 61206
Stainless Steel	140	6	Box of 100	1 Box	950 61406
Stainless Steel	160	6	Box of 100	1 Box	950 61606
Stainless Steel	100	8	Box of 100	1 Box	950 81006
Stainless Steel	120	8	Box of 50	1 Box	950 81206
Stainless Steel	140	8	Box of 50	1 Box	950 81406
Stainless Steel	180	8	Box of 50	1 Box	950 81806
Stainless Steel	220	8	Box of 50	1 Box	950 82206
Stainless Steel	250	8	Box of 50	1 Box	950 82506
Stainless Steel	300	8	Box of 50	1 Box	950 83006

Driver Bit Included

SITEMATE® Wafer Head Timber Screws

FINISH	LENGTH (MM)	GAUGE (MM)	MIN. ORDER QTY	GAUGE (MM)	CODE
Bag of 20					
BZP	70	6	5 Bags	6	440 10702
BZP	90	6	5 Bags	6	440 10902
BZP	100	6	5 Bags	6	440 11002
Box of 100					
BZP	70	6	1 Box	6	440 0702
BZP	90	6	1 Box	6	440 0902
BZP	100	6	1 Box	6	440 1002

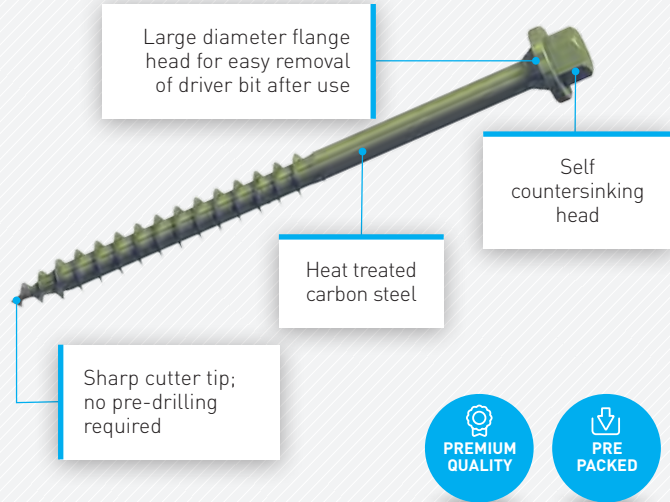
Driver Bit Included



SITEMATE®
BY BIRKDALE

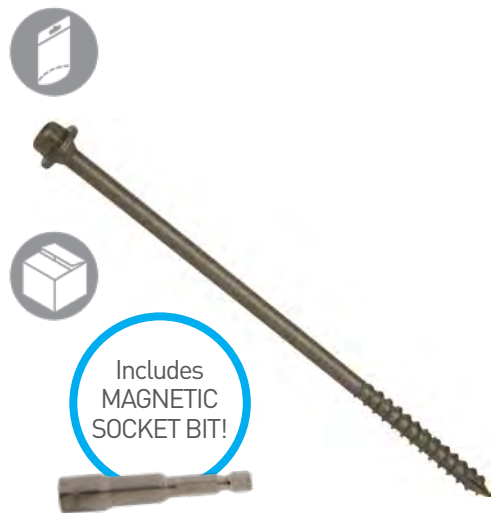
HEX HEAD TIMBER SCREWS

- Ideal for a wide range of applications, such as decking, landscaping sleepers, rafters and fencing
- Features corrosion resistant Ruspert Green finish – 1,000 hours salt spray tested
- Size stamped on head for ease of quality inspection
- **FREE** magnetic 8mm socket bit supplied in each box!



SITEMATE® Hex Head Timber Screws

FINISH	LENGTH (MM)	MIN. ORDER QTY	CODE
Bag of 20			
Green Ruspert	70	5 Bags	441 10701
Green Ruspert	100	5 Bags	441 11001
Green Ruspert	150	5 Bags	441 11501
Green Ruspert	200	5 Bags	441 12001
Green Ruspert	250	5 Bags	441 12501
Box of 100			
Green Ruspert	70	1 Box	441 0701
Green Ruspert	90	1 Box	441 0901
Green Ruspert	100	1 Box	441 1001
Green Ruspert	140	1 Box	441 1401
Green Ruspert	150	1 Box	441 1501
Green Ruspert	200	1 Box	441 2001
Green Ruspert	250	1 Box	441 2501



Bolts & Coach Screws

SITEMATE® Hexagon Head Coach Screws



FINISH	LENGTH (MM)	GAUGE (MM)	UNIT QTY	MIN. ORDER QTY	OUTER CARTON QTY	CODE
Bag of 4						
BZP	60	M6	Bag of 4	5 Bags	-	H106 0602
BZP	80	M6	Bag of 4	5 Bags	-	H106 0802
BZP	50	M8	Bag of 4	5 Bags	-	H108 0502
BZP	75	M8	Bag of 4	5 Bags	-	H108 0752
BZP	100	M8	Bag of 4	5 Bags	-	H108 1002
BZP	75	M10	Bag of 4	5 Bags	-	H110 0752
BZP	100	M10	Bag of 4	5 Bags	-	H110 1002
BZP	150	M10	Bag of 4	5 Bags	-	H110 1502
BZP	100	M12	Bag of 4	5 Bags	-	H112 1002
BZP	180	M12	Bag of 4	5 Bags	-	H112 1802
Box						
BZP	40	M6	Box of 200	1 Box	6 Boxes	H06 0402
BZP	50	M6	Box of 200	1 Box	6 Boxes	H06 0502
BZP	60	M6	Box of 200	1 Box	4 Boxes	H06 0602
BZP	70	M6	Box of 100	1 Box	8 Boxes	H06 0702
BZP	80	M6	Box of 100	1 Box	8 Boxes	H06 0802
BZP	90	M6	Box of 100	1 Box	4 Boxes	H06 0902
BZP	40	M8	Box of 200	1 Box	4 Boxes	H08 0402
BZP	50	M8	Box of 100	1 Box	6 Boxes	H08 0502
BZP	60	M8	Box of 100	1 Box	6 Boxes	H08 0602
BZP	65	M8	Box of 100	1 Box	4 Boxes	H08 0652
BZP	70	M8	Box of 100	1 Box	4 Boxes	H08 0702
BZP	75	M8	Box of 100	1 Box	4 Boxes	H08 0752
BZP	80	M8	Box of 100	1 Box	4 Boxes	H08 0802
BZP	90	M8	Box of 100	1 Box	3 Boxes	H08 0902
BZP	100	M8	Box of 100	1 Box	4 Boxes	H08 1002
BZP	120	M8	Box of 100	1 Box	2 Boxes	H08 1202
BZP	150	M8	Box of 100	1 Box	2 Boxes	H08 1502
BZP	40	M10	Box of 100	1 Box	4 Boxes	H10 0402
BZP	50	M10	Box of 100	1 Box	6 Boxes	H10 0502
BZP	60	M10	Box of 100	1 Box	4 Boxes	H10 0602
BZP	65	M10	Box of 100	1 Box	4 Boxes	H10 0652
BZP	70	M10	Box of 100	1 Box	3 Boxes	H10 0702
BZP	75	M10	Box of 50	1 Box	8 Boxes	H10 0752
BZP	80	M10	Box of 50	1 Box	6 Boxes	H10 0802
BZP	90	M10	Box of 50	1 Box	6 Boxes	H10 0902
BZP	100	M10	Box of 50	1 Box	6 Boxes	H10 1002
BZP	120	M10	Box of 50	1 Box	3 Boxes	H10 1202
BZP	130	M10	Box of 50	1 Box	3 Boxes	H10 1302
BZP	150	M10	Box of 50	1 Box	3 Boxes	H10 1502
BZP	160	M10	Box of 50	1 Box	3 Boxes	H10 1602
BZP	180	M10	Box of 50	1 Box	3 Boxes	H10 1802
BZP	200	M10	Box of 50	1 Box	3 Boxes	H10 2002
BZP	75	M12	Box of 50	1 Box	6 Boxes	H12 0752
BZP	100	M12	Box of 50	1 Box	3 Boxes	H12 1002
BZP	130	M12	Box of 50	1 Box	3 Boxes	H12 1302
BZP	150	M12	Box of 50	1 Box	3 Boxes	H12 1502
BZP	180	M12	Box of 50	1 Box	2 Boxes	H12 1802

SITEMATE® Cup Square Hex Bolts & Nuts

FINISH	LENGTH (MM)	GAUGE	UNIT QTY	MIN. ORDER QTY	OUTER CARTON QTY	CODE
Bag of 4						
BZP	50	M6	Bag of 4	5 Bags	-	C106 0502
BZP	75	M6	Bag of 4	5 Bags	-	C106 0752
BZP	50	M8	Bag of 4	5 Bags	-	C108 0502
BZP	75	M8	Bag of 4	5 Bags	-	C108 0752
BZP	100	M8	Bag of 4	5 Bags	-	C108 1002
BZP	150	M8	Bag of 4	5 Bags	-	C108 1502
BZP	180	M8	Bag of 4	5 Bags	-	C108 1802
BZP	50	M10	Bag of 4	5 Bags	-	C110 0502
BZP	75	M10	Bag of 4	5 Bags	-	C110 0752
BZP	100	M10	Bag of 4	5 Bags	-	C110 1002
BZP	120	M10	Bag of 4	5 Bags	-	C110 1202
BZP	130	M10	Bag of 4	5 Bags	-	C110 1302
BZP	150	M10	Bag of 4	5 Bags	-	C110 1502
BZP	180	M10	Bag of 4	5 Bags	-	C110 1802
BZP	75	M12	Bag of 4	5 Bags	-	C112 0752
BZP	100	M12	Bag of 4	5 Bags	-	C112 1002
BZP	130	M12	Bag of 4	5 Bags	-	C112 1302
BZP	180	M12	Bag of 4	5 Bags	-	C112 1802

Box						
BZP	50	M6	Box of 200	1 Box	6 Boxes	C06 0502
BZP	60	M6	Box of 100	1 Box	8 Boxes	C06 0602
BZP	75	M6	Box of 100	1 Box	8 Boxes	C06 0752
BZP	30	M8	Box of 200	1 Box	4 Boxes	C08 0302
BZP	50	M8	Box of 100	1 Box	6 Boxes	C08 0502
BZP	60	M8	Box of 100	1 Box	6 Boxes	C08 0602
BZP	75	M8	Box of 100	1 Box	3 Boxes	C08 0752
BZP	80	M8	Box of 100	1 Box	4 Boxes	C08 0802
BZP	90	M8	Box of 100	1 Box	3 Boxes	C08 0902
BZP	100	M8	Box of 100	1 Box	4 Boxes	C08 1002
BZP	150	M8	Box of 50	1 Box	4 Boxes	C08 1502
BZP	180	M8	Box of 25	1 Box	8 Boxes	C08 1802
BZP	200	M8	Box of 25	1 Box	4 Boxes	C08 2002
BZP	30	M10	Box of 100	1 Box	4 Boxes	C10 0302
BZP	50	M10	Box of 100	1 Box	4 Boxes	C10 0502
BZP	60	M10	Box of 100	1 Box	4 Boxes	C10 0602
BZP	65	M10	Box of 100	1 Box	4 Boxes	C10 0652
BZP	75	M10	Box of 100	1 Box	8 Boxes	C10 0752
BZP	80	M10	Box of 50	1 Box	6 Boxes	C10 0802
BZP	90	M10	Box of 50	1 Box	4 Boxes	C10 0902
BZP	100	M10	Box of 50	1 Box	4 Boxes	C10 1002
BZP	120	M10	Box of 50	1 Box	4 Boxes	C10 1202
BZP	130	M10	Box of 25	1 Box	4 Boxes	C10 1302
BZP	140	M10	Box of 25	1 Box	4 Boxes	C10 1402
BZP	150	M10	Box of 25	1 Box	6 Boxes	C10 1502
BZP	160	M10	Box of 25	1 Box	4 Boxes	C10 1602
BZP	180	M10	Box of 25	1 Box	4 Boxes	C10 1802
BZP	200	M10	Box of 25	1 Box	4 Boxes	C10 2002
BZP	220	M10	Box of 25	1 Box	3 Boxes	C10 2202
BZP	240	M10	Box of 25	1 Box	3 Boxes	C10 2402



SITEMATE® Cup Square Hex Bolts & Nuts Continued



FINISH	LENGTH (MM)	GAUGE (MM)	UNIT QTY	MIN. ORDER QTY	OUTER CARTON QTY	CODE
Box Continued						
BZP	260	M10	Box of 25	1 Box	3 Boxes	C10 2602
BZP	300	M10	Box of 25	1 Box	4 Boxes	C10 3002
BZP	65	M12	Box of 50	1 Box	4 Boxes	C12 0652
BZP	70	M12	Box of 50	1 Box	4 Boxes	C12 0702
BZP	75	M12	Box of 50	1 Box	4 Boxes	C12 0752
BZP	80	M12	Box of 50	1 Box	4 Boxes	C12 0802
BZP	90	M12	Box of 50	1 Box	4 Boxes	C12 0902
BZP	100	M12	Box of 50	1 Box	3 Boxes	C12 1002
BZP	130	M12	Box of 25	1 Box	5 Boxes	C12 1302
BZP	150	M12	Box of 20	1 Box	5 Boxes	C12 1502
BZP	180	M12	Box of 25	1 Box	4 Boxes	C12 1802
BZP	200	M12	Box of 25	1 Box	3 Boxes	C12 2002
BZP	240	M12	Box of 25	1 Box	3 Boxes	C12 2402

SITEMATE® Cup Square Hex Bolts Only



FINISH	LENGTH (MM)	GAUGE	UNIT QTY	MIN. ORDER QTY	OUTER CARTON QTY	CODE
Bag of 4						
Galvanised	100	M12	Bag of 4	5 Bags	-	C112 1001
Box						
Galvanised *	30	M8	Box of 100	1 Box	-	C08 0301
Galvanised	50	M8	Box of 100	1 Box	6 Boxes	C08 0501
Galvanised	70	M8	Box of 100	1 Box	4 Boxes	C08 0701
Galvanised	75	M8	Box of 100	1 Box	3 Boxes	C08 0751
Galvanised *	80	M8	Box of 100	1 Box	4 Boxes	C08 0801
Galvanised	100	M8	Box of 100	1 Box	4 Boxes	C08 1001
Galvanised	100	M10	Box of 25	1 Box	8 Boxes	C10 1001
Galvanised	30	M12	Box of 100	1 Box	1 Boxes	C12 0301
Galvanised	75	M12	Box of 50	1 Box	4 Boxes	C12 0751
Galvanised	100	M12	Box of 50	1 Box	3 Boxes	C12 1001

* Special Order Only
Nuts sold separately - see page 248

SITEMATE® Roofing Bolts & Nuts



FINISH	LENGTH (MM)	GAUGE (MM)	UNIT QTY	MIN. ORDER QTY	CODE
Bag of 4					
BZP	25	M8	Bag of 4	5 Bags	R108 0252
BZP	40	M8	Bag of 4	5 Bags	R108 0402
BZP	80	M8	Bag of 4	5 Bags	R108 0802
BZP	100	M8	Bag of 4	5 Bags	R108 1002
BZP	160	M8	Bag of 4	5 Bags	R108 1602
BZP	180	M8	Bag of 4	5 Bags	R108 1802
BZP	50	M10	Bag of 4	5 Bags	R110 0502
BZP	70	M10	Bag of 4	5 Bags	R110 0702
BZP	80	M10	Bag of 4	5 Bags	R110 0802
BZP	160	M10	Bag of 4	5 Bags	R110 1602

SITEMATE® Roofing Bolts & Nuts Continued

FINISH	LENGTH (MM)	GAUGE (MM)	UNIT QTY	MIN. ORDER QTY	OUTER CARTON QTY	CODE
Box						
BZP	25	M8	Box of 100	1 Box	8 Boxes	R08 0252
BZP	30	M8	Box of 100	1 Box	8 Boxes	R08 0302
BZP	40	M8	Box of 100	1 Box	8 Boxes	R08 0402
BZP	50	M8	Box of 100	1 Box	6 Boxes	R08 0502
BZP	60	M8	Box of 100	1 Box	6 Boxes	R08 0602
BZP	70	M8	Box of 100	1 Box	4 Boxes	R08 0702
BZP	80	M8	Box of 100	1 Box	4 Boxes	R08 0802
BZP	100	M8	Box of 50	1 Box	8 Boxes	R08 1002
BZP	140	M8	Box of 50	1 Box	4 Boxes	R08 1402
BZP	160	M8	Box of 50	1 Box	4 Boxes	R08 1602
BZP	180	M8	Box of 50	1 Box	4 Boxes	R08 1802
BZP	200	M8	Box of 50	1 Box	2 Boxes	R08 2002
BZP	220	M8	Box of 50	1 Box	2 Boxes	R08 2202
BZP	240	M8	Box of 25	1 Box	4 Boxes	R08 2402
BZP	30	M10	Box of 100	1 Box	4 Boxes	R10 0302
BZP	50	M10	Box of 50	1 Box	8 Boxes	R10 0502
BZP	70	M10	Box of 50	1 Box	6 Boxes	R10 0702
BZP	80	M10	Box of 50	1 Box	6 Boxes	R10 0802
BZP	100	M10	Box of 50	1 Box	4 Boxes	R10 1002
BZP	120	M10	Box of 25	1 Box	8 Boxes	R10 1202
BZP	140	M10	Box of 25	1 Box	4 Boxes	R10 1402
BZP	160	M10	Box of 25	1 Box	4 Boxes	R10 1602
BZP	180	M10	Box of 25	1 Box	4 Boxes	R10 1802
BZP	220	M10	Box of 25	1 Box	3 Boxes	R10 2202
BZP	240	M10	Box of 25	1 Box	3 Boxes	R10 2402
BZP	260	M10	Box of 25	1 Box	3 Boxes	R10 2602



Saddle Head Bolts Only

FINISH	LENGTH INS (MM)	PACK TYPE	GAUGE	MIN. ORDER QTY	OUTER CARTON QTY	CODE
Box						
Galvanised	1½ (40)	Box	M8	100	600	414 8401



Tee Head Bolts Only

FINISH	LENGTH INS (MM)	PACK TYPE	GAUGE	MIN. ORDER QTY	CODE
Box					
Galvanised	1 (25)	Box	M8	100	415 8251
Bulk Bag					
Galvanised	1 (25)	Bulk Bag	M8	2000	415 8261



Masonry Fixings

SITEMATE
BY BIRKDALE

MASONRY BOLTS

- No-expansion anchor for heavy duty applications
- This bolt cuts its own thread into concrete, brick, stone and wood; eliminating the need for traditional anchors
- Allows holes to be positioned to the edge of blocks where typical expansion bolts are at risk of splitting the material

Serrated thread helps the bolt to cut into brickwork

High tensile bolt with a surface hardness of over 800HV; allowing the thread to cut into concrete and withstand abrasion

Flange head complete with serrations for extra clamping grip

Nytorg pre-applied thread lubricant (dry to touch) reduces friction and prevents cold welding or torque



SITEMATE® Masonry Bolts



FINISH	LENGTH INS (MM)	GAUGE	DRILL SIZE (MM)	UNIT QTY	MIN. ORDER QTY	OUTER CARTON QTY	CODE
Bag of 4							
BZP/YP	4 (100)	M6	6	1 Bag	5 Bags	-	910 61002
BZP/YP	6 (150)	M6	6	1 Bag	5 Bags	-	910 61502
BZP/YP	3 (75)	M8	8	1 Bag	5 Bags	-	910 80752
BZP/YP	4 (100)	M8	8	1 Bag	5 Bags	-	910 81002
BZP/YP	6 (150)	M8	8	1 Bag	5 Bags	-	910 81502
BZP/YP	3 (75)	M10	10	1 Bag	5 Bags	-	911 00752
BZP/YP	4 (100)	M10	10	1 Bag	5 Bags	-	911 01002
BZP/YP	6 (150)	M10	10	1 Bag	5 Bags	-	911 01502
BZP/YP	4 (100)	M12	12	1 Bag	5 Bags	-	911 21002
Box							
BZP/YP	2 (50)	M6	6	Box of 100	1 Box	6.00	900 60502
BZP/YP	3 (75)	M6	6	Box of 100	1 Box	6.00	900 60752
BZP/YP	4 (100)	M6	6	Box of 100	1 Box	6.00	900 61002
BZP/YP	5 (130)	M6	6	Box of 100	1 Box	3.00	900 61302
BZP/YP	6 (150)	M6	6	Box of 100	1 Box	3.00	900 61502
BZP/YP	2½ (60)	M8	8	Box of 100	1 Box	3.00	900 80602
BZP/YP	3 (75)	M8	8	Box of 100	1 Box	3.00	900 80752
BZP/YP	4 (100)	M8	8	Box of 100	1 Box	3.00	900 81002
BZP/YP	5 (130)	M8	8	Box of 100	1 Box	3.00	900 81302
BZP/YP	6 (150)	M8	8	Box of 100	1 Box	3.00	900 81502
BZP/YP	2½ (60)	M10	10	Box of 50	1 Box	6.00	901 00602
BZP/YP	3 (75)	M10	10	Box of 50	1 Box	6.00	901 00752
BZP/YP	4 (100)	M10	10	Box of 50	1 Box	3.00	901 01002
BZP/YP	5 (130)	M10	10	Box of 50	1 Box	3.00	901 01302
BZP/YP	6 (150)	M10	10	Box of 50	1 Box	3.00	901 01502
BZP/YP	3 (75)	M12	12	Box of 50	1 Box	3.00	901 20752
BZP/YP	4 (100)	M12	12	Box of 50	1 Box	3.00	901 21002
BZP/YP	5 (130)	M12	12	Box of 50	1 Box	3.00	901 21302
BZP/YP	6 (150)	M12	12	Box of 25	1 Box	3.00	901 21502
BZP/YP	8 (200)	M12	12	Box of 25	1 Box	3.00	901 22002

SITEMATE® Masonry Screws

- SITEMATE® Masonry Screws are ideal for anchoring into concrete, stone and brick
- Sharp cutter thread for easy use
- Free driver bit in every box!
- Zinc plated and yellow passivated for extra corrosion resistance
- White cover caps and torx bit included in every box

FINISH	LENGTH (MM)	GAUGE (MM)	MIN. ORDER QTY	OUTER CARTON QTY	CODE
Bag of 4					
BZP/YP	82	7.5	5 Bags	-	427 0828
BZP/YP	102	7.5	5 Bags	-	427 1028
BZP/YP	122	7.5	5 Bags	-	427 1228
BZP/YP	152	7.5	5 Bags	-	427 1528

Box of 100					
BZP/YP	82	7.5	1 Box	8 Boxes	437 0828
BZP/YP	102	7.5	1 Box	8 Boxes	437 1028
BZP/YP	122	7.5	1 Box	8 Boxes	437 1228
BZP/YP	152	7.5	1 Box	6 Boxes	437 1528



SITEMATE®
BY BIRKDALE

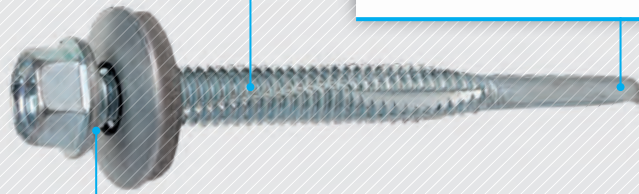
HEXHEAD DRILLING SCREWS

Our SITEMATE® hexhead self drilling screws are fast, effective and powerful.

- Ideal for securing cladding to steel roofs

A coarse thread enables the screw to self cut

A sharp tip allows the user to drill straight in to metal without needing to pre-drill holes

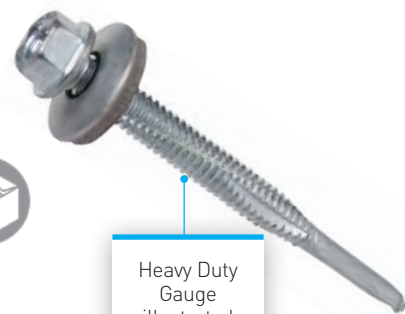


Increased ability to clamp comes from the hex head countersunk head and washer

SITEMATE® Hex Head Self Drilling Screws with Washer

FINISH	LENGTH (MM)	GAUGE (MM)	MIN. ORDER QTY	CODE
Bag of 20				
BZP	32	L.D 5.5	5 Bags	461 11322
BZP	38	L.D 5.5	5 Bags	461 11382
BZP	50	L.D 5.5	5 Bags	461 11502
BZP	25	H.D 5.5	5 Bags	461 11252
BZP	38	H.D 5.5	5 Bags	461 10382
BZP	50	H.D 5.5	5 Bags	461 10502

Box of 100				
BZP	25	H.D 5.5	1 Box	461 1252
BZP	38	H.D 5.5	1 Box	461 0382
BZP	50	H.D 5.5	1 Box	461 0502
BZP	32	L.D 5.5	1 Box	461 1322
BZP	38	L.D 5.5	1 Box	461 1382
BZP	50	L.D 5.5	1 Box	461 1502



Heavy Duty Gauge illustrated

SITEMATE® Express Nails



FINISH	LENGTH (MM)	GAUGE	UNIT QTY	MIN. ORDER QTY	CODE
Bag of 6					
BZP	110	M8	1 bag	5 Bags	436 1102
BZP	130	M8	1 bag	5 Bags	436 1302
Box					
BZP	90	M8	Box of 200	1 Box	426 0902
BZP	110	M8	Box of 200	1 Box	426 1102
BZP	130	M8	Box of 200	1 Box	426 1302
BZP	150	M8	Box of 100	1 Box	426 1502
BZP	180	M8	Box of 100	1 Box	426 1802

SITEMATE® Plastic Expansion Plugs



COLOUR	SUITABLE FOR GAUGE (MM)	MIN. ORDER QTY	CODE
Box of 100			
Red	6-10 (3.5mm-5mm)	1 Box	429 0060
Brown	10-12 (5mm-6mm)	1 Box	429 0070

SITEMATE® Nylon Expansion Plug



FINISH	GAUGE (MM)	MIN. ORDER QTY	CODE
Box			
Grey	10	Box of 50	430 0100
Grey	12	Box of 25	430 0120

SITEMATE® Nylon Frame Fixings



FINISH	LENGTH (MM)	MAX. FIXTURE THICKNESS (MM)	GAUGE	MIN. ORDER QTY	CODE
Bag of 10					
BZP/Grey	80	30	M10	5 Bags	431 2800
BZP/Grey	100	50	M10	5 Bags	431 2100
BZP/Grey	120	70	M10	5 Bags	431 2110
BZP/Grey	140	90	M10	5 Bags	431 2130
BZP/Grey	160	110	M10	5 Bags	431 2160
Box of 100					
BZP/Grey	80	30	M10	1 Box	431 1800
BZP/Grey	100	50	M10	1 Box	431 1100
BZP/Grey	120	70	M10	1 Box	431 1110
BZP/Grey	140	90	M10	1 Box	431 1130
BZP/Grey	160	110	M10	1 Box	431 1160

SITEMATE® Sleeve Anchor

Loose Nut/50mm

FINISH	LENGTH (MM)	GAUGE (MM)	MIN. ORDER QTY	CODE
Bag of 4				
Z/PLAT	100	M10	5 Bags	D10 1002
Z/PLAT	100	M12	5 Bags	D12 1002



SITEMATE® Masonry Anchor

FINISH	LENGTH (MM)	GAUGE (MM)	MIN. ORDER QTY	CODE
Bag of 4				
Z/PLAT	65	M8	5 Bags	T80652
Z/PLAT	65	M10	5 Bags	T100652
Z/PLAT	100	M10	5 Bags	T101002
Z/PLAT	120	M10	5 Bags	T101202
Z/PLAT	80	M12	5 Bags	T120802
Z/PLAT	100	M12	5 Bags	T121002
Z/PLAT	120	M12	5 Bags	T121202
Z/PLAT	125	M16	5 Bags	T161252
Z/PLAT	130	M20	5 Bags	T201302



MERCHANDISING STANDS

Our SITEMATE® range is ever growing, encompassing our great range of hard wearing tools and new range of pre-packed and boxed fixings.

SITEMATE®
BY BIRKDALE

The entire SITEMATE® range is designed for maximum power, speed and efficiency to help you get the job done right the first time. With unrivalled comfort, unique features and strength in all, our specialist fencing tools have been perfectly crafted with Fencing Contractors in mind.



Nuts, Washers & Studding

SITEMATE® Nuts & Washers



FINISH	GAUGE	UNIT QTY	MIN. ORDER QTY	CODE
Bag				
BZP	M6	Bag of 20/20	5 Bags	454 0062
BZP	M8	Bag of 20/20	5 Bags	454 0082
BZP	M10	Bag of 20/20	5 Bags	454 0102
BZP	M12	Bag of 10/10	5 Bags	454 0122
BZP	M16	Bag of 6/6	5 Bags	454 0162
BZP	M20	Bag of 3/3	5 Bags	454 0202
Galvanised	M10	Bag of 20/20	5 Bags	454 0101
Galvanised	M12	Bag of 10/10	5 Bags	454 0121

SITEMATE® Nylon Locking Nuts & Washers



FINISH	GAUGE	UNIT QTY	MIN. ORDER QTY	CODE
Bag				
BZP	M8	Bag of 20/20	5 Bags	452 0082
BZP	M10	Bag of 20/20	5 Bags	452 0102
BZP	M12	Bag of 10/10	5 Bags	452 0122

SITEMATE® Nylon Locking Nuts Only



FINISH	GAUGE	MIN. ORDER QTY	CODE
Box			
BZP	M6	Box of 200	418 0062
BZP	M8	Box of 100	418 0082
BZP	M10	Box of 100	418 0102
BZP	M12	Box of 100	418 0122

SITEMATE® Steel Hex Full Nuts

FINISH	GAUGE	MIN. ORDER QTY	CODE
Box			
BZP	M6	Box of 200	416 0062
BZP	M8	Box of 200	416 0082
BZP	M10	Box of 200	416 0102
BZP	M12	Box of 100	416 0122
BZP	M16	Box of 100	416 0162
BZP	M20	Box of 50	416 0202
Galvanised	M8	Box of 200	416 0081
Galvanised	M10	Box of 200	416 0101
Galvanised	M12	Box of 100	416 0121
Galvanised	M16	Box of 100	416 0161
Galvanised	M20	Box of 50	416 0201



SITEMATE® Steel Hex Half Nuts

FINISH	GAUGE	MIN. ORDER QTY	CODE
Box			
BZP	M20	Box of 100	417 0202



SITEMATE® Cone Head Security Nuts

FINISH	GAUGE	MIN. ORDER QTY	OUTER CARTON QTY	CODE
Box of 100				
Galvanised	M8	Box of 100	10 boxes	420 0081
Galvanised	M10	Box of 100	10 boxes	420 0101
Galvanised	M12	Box of 100	10 boxes	420 0121



SITEMATE® Square Plate Washers

FINISH	SIZE INS (MM)	GAUGE	MIN. ORDER QTY	OUTER CARTON QTY	CODE
Bag of 10					
BZP	2x2 (50x50)	M10	5 Bags	-	453 0102
BZP	2x2 (50x50)	M12	5 Bags	-	453 0122
BZP	2x2 (50x50)	M16	5 Bags	-	453 0162
Box of 100					
BZP	2x2 (50x50)	M10	1 Box	4 Boxes	422 0102
BZP	2x2 (50x50)	M12	1 Box	4 Boxes	422 0122
BZP	2x2 (50x50)	M16	1 Box	4 Boxes	422 0162
Galvanised	2x2 (50x50)	M10	1 Box	4 Boxes	422 0101
Galvanised	2x2 (50x50)	M12	1 Box	4 Boxes	422 0121
Galvanised	2x2 (50x50)	M16	1 Box	4 Boxes	422 0161



Material thickness 3mm

SITEMATE® Steel Washers



DESC	FINISH	GAUGE	SIZE (MM)	MIN. ORDER QTY	CODE
Box					
Form A	BZP	M12	24	200	423 0052
Form A	BZP	M16	30	100	423 0062
Form A	BZP	M20	37	100	423 0072
Form C	BZP	M6	14	1000	423 0022
Form C	BZP	M8	21	600	423 0032
Form C	BZP	M10	24	200	423 0042
Form F	Galvanised	M8	21	100	423 0171
Form F	Galvanised	M10	24	100	423 0181
Form F	Galvanised	M12	28	100	423 0191
Form F *	Galvanised	M16	34	100	423 0201
Form F	Galvanised	M20	39	100	423 0211

* Special Order Only

SITEMATE® Repair Washers



FINISH	SIZE (MM)	GAUGE	MIN. ORDER QTY	CODE
Box of 100				
BZP	20	M6	1 Box	423 0082
BZP	25	M6	1 Box	423 0092
BZP	30	M6	1 Box	423 0102
BZP *	40	M6	1 Box	423 0112
BZP	25	M8	1 Box	423 0122
BZP	30	M8	1 Box	423 0132
BZP	40	M8	1 Box	423 0142
BZP	30	M10	1 Box	423 0152
BZP	40	M10	1 Box	423 0162

* Special Order Only

SITEMATE® Metric Studding Threaded Rod



FINISH	GAUGE	LENGTH (M)	MIN. ORDER QTY	OUTER CARTON QTY	CODE
Box					
BZP	M6	1	10	50	424 0062
BZP	M8	1	10	50	424 0082
BZP	M10	1	10	20	424 0102
BZP	M12	1	10	-	424 0122
BZP	M16	1	10	-	424 0162
BZP	M20	1	10	-	424 0202
Galvanised	M10	1	10	20	424 0101
Galvanised	M12	1	10	-	424 0121
Galvanised	M16	1	10	-	424 0161
Galvanised	M20	1	10	-	424 0201

Other Fixings

SITEMATE® Metal Star Dowels

FINISH	LENGTH (MM)	MIN. ORDER QTY	CODE
Box of 500			
BZP	33	500	406 0330
BZP	38	500	406 0380
BZP	44	500	406 0440
BZP	50	500	406 0500
BZP	60	500	406 0600



SITEMATE® Corrugated Fastener

DESC	FINISH	SIZE INS (MM)	MIN. ORDER QTY	CODE
Box				
5 Corrugations	BZP	½ (12)	1000	407 0010
6 Corrugations	BZP	¾ (19)	1000	407 0060
6 Corrugations	BZP	1 (25)	500	407 0080



SITEMATE® Screw Eye

FINISH	LENGTH INS (MM)	GAUGE (MM)	MIN. ORDER QTY	OUTER CARTON QTY	CODE
Bag of 4					
Galvanised	3 (75)	8	5 Bags	-	419 0111
Box of 100					
Galvanised	3 (75)	8	1 Box	5 Boxes	409 0111



SITEMATE® Vine Eye

DESC	FINISH	LENGTH INS (MM)	GAUGE (MM)	MIN. ORDER QTY	OUTER CARTON QTY	CODE
Box of 100						
To screw	BZP	3 (75)	4	1 Box	10 Boxes	409 0042
To drive	BZP	4 (100)		1 Box	10 Boxes	409 1002



SITEMATE® Torx Driver Bit

SIZE	FINISH	MIN. ORDER QTY	CODE
Bag of 4			
TORX 20	Z/PLAT	5 Bags	T20
TORX 25	Z/PLAT	5 Bags	T25
TORX 30	Z/PLAT	5 Bags	T30
TORX 40	Z/PLAT	5 Bags	T40



BIRKDALE

We're Social Come and follow us

Make sure you keep up to date on all of our latest news, products and special offers on our social media channels



BIRKDALE

Keep up to date with new product development, industry news, hints and tips and all things Birkdale!



BirkdaleSales



birkdale-sales-limited

DuraPost[®]
BY BIRKDALE

Want some design inspiration? We post regular content showing DuraPost installations across the UK&I. Use the hashtag #DuraPost and you could be featured in our next post!



DurapostUK



durapost_uk

Index

A

Acorn Finials	160
Adjustable Band & Hook on Plate	
Pre-packed For Display	40
Bulk Packed	84
Premium Finishes	54, 57, 128, 131
Adjustable Bands and Adjustable Hooks	
on Plate	85
Adjustable Bolt-Down Post Supports	156
Adjustable Bottom Fitting	109
Adjustable Bottom Hinge - Easi Fit Gate Post	
System	68
Adjustable Curved Rail Hinges with Hooks on	
Plates	82
Adjustable Double Strap Hinge Set	
Standard	22
Premium Finishes	58
Adjustable Eyebolts	114
Adjustable Gate Eye with 2 Nuts	114
Adjustable Hook on Narrow Plate	110
Adjustable Hook on Plate	
Standard	110
Premium Finishes	132
Adjustable RSJ Field Gate Hanger for	
Metal Gates	112
Adjustable Self Closing Hinges (High	
Performance Composite Hinges)	64
Adjustable Top Hinge - Easi Fit Gate Post	
System	68
Adze	202
Aluminium Decking Spindle	169
Aluminium Level	213
Aluminium Self Closing Hinges	64
Anchor Bolt-Down Plates	193
Angle Bracket for Adjustable Railing (Modular	
Railing System)	167
Angle Brackets, Heavy Duty	192
Angle Cleats	176
Angle Plate Bracket	188
Animal Bolt	
Pre-packed For Display	49
Bulk Packed	98
Animal Safety Self Locking Gate Catch	
Pre-packed For Display	29
Bulk Packed	116
Annular Ring Shank Nails	225
Anti Luce Fastener	198
Anti Theft Bracket	115
Antique Ironmongery	
Pre-packed For Display	60-63
Bulk Packed	134-137
Anti-Rattle Panel Clamp for Concrete Posts	189
Anti-Slip Plate	172
Arc Spindles	169
Armoured Block Padlock	19
Arris Rail Mortice Bracket	186
Arris Rail Repair Bracket	186
Ascot Single Entrance Gate	68
Auto Gate Catch	
Pre-packed For Display	45
Bulk Packed	93
Autolock Animal Bolt	
Pre-packed For Display	49
Bulk Packed	97
Automatic Fencing Pliers & Fencing Clips	179

B

Back Flap Hinges 400	88
Ball & Collar Finials	159

Ball Bearing Hinges	88
Balustrade Brackets	
Pre-packed For Display	74
Bulk Packed	189
Band & Hook Hinges	
Straight	38, 54, 60, 80, 128
Cranked	39, 54, 57, 81, 128, 130
Adjustable	40, 54, 57, 84, 128, 131
Barbed Staples	226
Barbed Wire Brackets	175
Barbed Wire Spacers	175
Baroque Spindles	169
Barrel Strainers	
Pre-packed For Display	73
Bulk Packed	176
Base Plate for Wooden Post	172
Base Rail for Decking	171
Beware Of The Dog Sign	53
Birds Mouth Post Strap	190
Bishop Finials	160
Bishop Hat Post Strap (Five Times Bent)	190
Black Touch Up Paint & Brush	221
Black Zinc Rich Aerosol	221
Blue Polypropylene Rope Coil	219
Bolt & Coach Screws	240-243
Bolt Croppers	212
Bolt Down Post Support	
DuraPost	150
Standard	154, 156
Bolt Locking Winders	177
Bolt On Arris Rail Brackets Handed	186
Bolt-Down U Post Support	157
Bottom Band for Field Gates	108, 109
Bottom Pivot Hinge - Easi Fit Gate Post System	68
Bow Handle Bolts with 5/8" Square Shoot	
Pre-packed For Display	51
Bulk Packed	100
Braced Adjustable Band & Hook on Plate	
Pre-packed For Display	40
Bulk Packed	85
Brackets for Rope Handrails	164, 165
Brass Padlock	18
Brenton Padbolt Kit with 2" Padlock	49
Brenton Padbolt with 1/2" Shoot	
Pre-packed For Display	48
Bulk Packed	96
Premium Finishes	56, 59, 129, 133
Brenton Padbolt with 5/8" Shoot	
Pre-packed For Display	48
Bulk Packed	96
Premium Finishes	56, 129
Brenton Padbolt with Elongated Keep & 5/8" Shoot	
Pre-packed For Display	48
Bulk Packed	97, 133
Broom	204
Bucket	220
Bucket Clip on Plate	
Pre-packed For Display	72
Bulk Packed	184
Bullnose Hanger for Metal Gates	126
Bungee Strap	218, 219
Burst of Sunshine Deck Panels	170
Butt Hinges	
Pre-packed For Display	41, 42
Bulk Packed	87, 88
Premium Finishes	55
Butterfly Hinges (Ornamental)	
Pre-packed For Display	60
Bulk Packed	134

C

Cabin Hook	
Pre-packed For Display	46
Bulk Packed	94
Premium Finishes	56, 59, 129, 133
Ornamental	61, 136
Cable Laying Pattern Shovel	
Standard	202
Insulated	209
Cane Bolt	50
Cant Rail Bracket	186
Capping Rail (DuraPost)	149
Capping Rail Clip (DuraPost)	149
Caps	158
Carbine Hooks	
Pre-packed For Display	71
Bulk Packed	182
Carpenters Pencils	215
Carriage Bolt	241, 242
Carrier to Weld	194
Casement Stay	105, 137
Cast Ball Door Knob	
Pre-packed For Display	21
Bulk Packed	104
Cast Gravity Catch	120
Cast Heel to Concrete In for Metal Gates	126
Cast Octagonal Door Knob Furniture (Ornamental)	
Pre-packed For Display	63
Bulk Packed	137
Cast Oval Door Knob	
Pre-packed For Display	21
Bulk Packed	104
Cast Pattern Cabin Hooks	
Pre-packed For Display	46
Bulk Packed	94
Premium Finishes	56, 59, 129, 133
Ornamental	61, 136
Cast Pull Handles	
Pre-packed For Display	17
Bulk Packed	104
Catches for Suffolk/Ring Latches	92
Central Closing Catch	
Pre-packed For Display	30
Bulk Packed	118
Centre Cutters	212
Centre Gate Stop with 3 Legs	105
Chain - Plastic	102, 181, 182
Chain & Fittings	
Pre-packed For Display	70, 71
Bulk Packed	181-183
Chain Bolt with 5/8" Square Shoot	
Pre-packed For Display	51
Bulk Packed	100
Chemset Injection System	221
Chisel & Point Crowbar	
Standard	204
Insulated	210
CL22 Ring Fasteners	179
Clamp On Throwover Loop for Metal Gates	121
Clamp On Wheel for Metal Gates	123
Classic DuraPost	141
Classic Spindles	169
Claw Hammer	
Standard	206
Insulated	211
Cleats	
Angle	176
Two Pin	185
Clipping Gun	179

Index

Clout Nails.....	224	Dee Shackles		Expanding Bolts.....	247
Coach Bolts.....	241, 242	Pre-packed For Display	71	Expansion Plugs.....	246
Coach Screws.....	240	Bulk Packed.....	182	Express Nails.....	246
Cold Galv Aerosol.....	221	Deterrent Spikes.....	162	Extra Large Head Clout Nails.....	224
Collar to Weld.....	115	Devon Drop.....	123	Eye on Plates for Rope Handrails	164, 165
Collated Nails.....	228, 229	Diamond Blade.....	220	Eye to Weld.....	113
Commercial Fence Post.....	142	Digging Spade.....	202	Eyebolt Hanger for Metal Gates.....	124
Composite Fence Panel.....	146, 147	Digging Tools		Eyebolts.....	114
Composite Gravel Board.....	148	Standard.....	200-202		
Concrete Bolts.....	244	Insulated.....	209	F	
Concrete In Receiver Socket.....	100	Discus Padlock.....	19	F20 Hog Ring Clips.....	179
Concrete Screws (Masonry Screws).....	245	Dog Washer (Timber Connectors).....	191	Fabrication Components.....	194, 195
Concrete-In Post Support.....	155	Door Studs (Ornamental).....	137	Fast Set Post Concrete.....	151
Concrete-In U Post Support.....	157	Door/Gate Handle		Fence Panels.....	146, 147
Cone Head Security Nuts.....	249	Pre-packed For Display	17, 62	Fence Pin.....	157
Construction Components.....	191-193	Bulk Packed.....	104, 136	Fence Pliers Automatic & Fencing Clips.....	179
Contemporary Deck Panels.....	170	Double Barbed Staples.....	227	FenceMate Post Concrete.....	151
Corner Braces		Double Ended Woodscrews.....	161	FenceMate Post Supports.....	152-157
Pre-packed For Display.....	74	Double Gate Fastener Set with Garage Door Bolt		Fencepost (DuraPost).....	141, 142
Bulk Packed.....	188	Standard.....	27	Fencers Pliers.....	212
Corner Plates.....	188	Premium Finishes.....	58, 131	Fencers Grafts	
Corner Post (DuraPost).....	144	Double Leg Striker for Self Locking Catches.....	117	Standard.....	200, 201
Corrugated Fastener.....	251	Double Pressed Butt Hinges 899.....	87	Insulated.....	209
Countersunk Head Pozidrive Wood Screw.....	230-233	Double Pressed Butt Hinges without Holes 899T.....	87	Fencing Accessories	
Cover for Base Plate.....	172	Double Shovel Holer		Pre-packed For Display.....	74
Cover Strips.....	143	Standard.....	201	Bulk Packed.....	174-197
Cranked Bands & Hook on Plate		Insulated.....	209	Fencing Tools	
Pre-packed For Display.....	39	Double Strap Band.....	107, 132	Standard.....	200-207
Bulk Packed.....	81	Double Strap Hinge Set		Insulated.....	209-211
Premium Finishes.....	54, 57, 128, 130	Standard.....	22, 23	Ferrule Winders.....	176
Cranked Curve Rail Hinge Set		Adjustable Double Strap Hinge Set.....	24	Field Gate Fittings	
Pre-packed For Display.....	39	Self-Closing/Rising Hinge Set.....	26	Pre-packed For Display.....	22-32
Bulk Packed.....	82	Premium Finishes.....	58	Bulk Packed.....	107-126
Premium Finishes.....	57, 131	Dowels.....	251	Field Gate Hinges.....	22-26, 107-109
Cranked Leg Striker for Self Locking Catches.....	117	Drive Catch.....	117	Field Gate Latches	
Cross Pattern Door Bolt		Drive-In Post Support.....	152, 155	Pre-packed For Display.....	28-30
Pre-packed For Display.....	49	Drive-In Tool.....	157	Bulk Packed.....	116-120
Bulk Packed.....	97	Drop Bolt		Finials.....	159-161
Cross Rails.....	147	Pre-packed For Display.....	50	Fish Plate.....	176
Crowbar		Bulk Packed.....	99	Fixing Bracket for Welded Railing Panel.....	167
Standard.....	204, 205	Premium Finishes.....	56, 59, 130, 133	Fixings & Fastenings.....	222-251
Insulated.....	210	High Performance Composite.....	65	Flake Staple.....	123
Cups for Heavy Reversible Hinges.....	86	Ornamental.....	62, 136	Flat Barbed Wire Brackets.....	175
Cup Hinges		For Metal Field Gates.....	120	Flat Plate Concrete in Gate Stop.....	105
Pre-packed For Display.....	41	Drop Bolt Eye to Weld.....	194	Flat Pry Bar.....	204
Bulk Packed.....	86	Drop Bolt Holder.....	194	Flat Sided Throwover Loop.....	121
Premium Finishes.....	57, 131	Drop Catches.....	197	Fleur De Lys Tee Hinges (Ornamental)	
Cup Square Hex Bolts & Nuts.....	241, 242	DuraPost Composite Gravel Boards.....	148	Pre-packed For Display.....	60
Cupped Jump Cups.....	184	DuraPost Fencepost System.....	141-150	Bulk Packed.....	134
Curve Rail Hinge Set		DuraPost Fence Panels.....	146, 147	Flexi Bucket.....	220
Pre-packed For Display.....	39	DuraPost Fixings.....	150	Flush Bolt Down Post Support.....	154
Bulk Packed.....	82	DuraPost Gate System.....	145	Flush Hinges.....	88
Premium Finishes.....	57			Fluted Angle Bracket.....	106
Curved Decking Panels.....	168	E		Folded Eyebolts.....	178
Cut Point Staples.....	225	Easi-Fit Adjustable Gate Post System.....	67, 68	Folding Knife.....	216
Cutting Discs for Metal.....	220	Easy Use Panel Bracket.....	187	Fork (Insulated Contractor's Fork).....	209
		Easy-Close Auto Gate Catch		FP222 Rapid Automatic Gun.....	179
D		Pre-packed For Display.....	45	Frame Fixings.....	246
D Bracket		Bulk Packed.....	93		
Pre-packed For Display.....	31	Elastic Tie Down.....	218, 219	G	
Bulk Packed.....	122	Elongated Keep.....	97	Garage Door Bolt with 5/8" Shoot	
Deck Joist Shoe.....	193	End Cutters.....	211	Pre-packed For Display.....	50
Deck Post Connectors.....	193	End Fitting.....	183	Bulk Packed.....	99
Decking Accessories.....	168-172, 193	Endless Lashing Strap.....	217	Premium Finishes.....	56, 59, 130, 133
Decking Panels.....	166, 168, 170	Endless Ratchet Strap.....	217	High Performance Composite.....	65
Decking Post.....	171	Equestrian Accessories.....	184	Ornamental.....	62, 136
Decking Rope.....	162, 163	Escutcheon for Euro Profile Long Throw Lock.....	15	Garage Door Holder.....	98
Decking Screws.....	236, 237	Estate Pattern Bands.....	82	Gas Gate Closer.....	105
Decking Spindle.....	169	Euro Profile Long Throw Lock.....	14, 15	Gate Automation Accessories.....	127
Decorative Rope.....	162, 163	Excavator Fencers Graft.....	200, 201	Gate Building Kit.....	109
				Gate Eye to Weld.....	113

Index

Gate Fixing Kit.....	33, 69	Hasp & Staple		To Screw	112
Gate Frame	145	Pre-packed For Display	52	To Weld	113
Gate Hanger to Bolt.....	82, 111	Bulk Packed	101, 102	To Bolt.....	82, 111
Gate Hook to Weld.....	113	Heavy Cross Pattern Door Bolt		Hooks for Rope Handrails	165
Gate Mounted Flat Plate Stop	105	Pre-packed For Display	49	Horizontal Hanger for Metal Gates.....	126
Gate Post (DuraPost).....	144	Bulk Packed	97	Hot Bed Handles	
Gate Post System	67, 68	Heavy Duty Angle Brackets	192	Pre-packed For Display	17
Gate Return Springs		Heavy Duty Armoured Block Padlock.....	19	Bulk Packed	104
Pre-packed For Display	32	Heavy Duty Handrail Bracket	106	Hunting Type Locking Catch	
Bulk Packed	93	Heavy Duty Offset Tee Hinges		Pre-packed For Display	29, 30
Gate Sign	53	Pre-packed For Display	37	Bulk Packed	116, 117
Gate Staple		Bulk Packed	79	Hurdle Eye To Bolt	195
Pre-packed For Display	31	Heavy Duty Ratchet Tie Down	218	Hurlinges	88
Bulk Packed	123	Heavy Locking Garage Door Bolt		Hydraulic Gate Closer	105
Gate Stops	105	Pre-packed For Display	50		
Gate Wheel, Spring Loaded		Bulk Packed	99	I	
Pre-packed For Display	32	Premium Finishes	56, 130	Inline Bracket (DuraPost)	149
Bulk Packed	123	Heavy Reversible Hinges		Insulated Tools.....	208-211
GateMate Long Throw Lock	14-16	Pre-packed For Display	41	Irish Field Gate Fittings.....	124-126
GateMate Pre-packed Ironmongery.....	14-74	Bulk Packed	86		
GateMate Steel Gate Post.....	67	Premium Finishes	57, 131	J	
Gates.....	68	Heavy Safety Pattern Hasp & Staple		Jacksaw.....	207
Gordian Ring Gun	179	Pre-packed For Display	52	Jockey Wheel (Spring Loaded Gate Wheel)	
Gothic Suffolk Latch with Long Thumb Bit		Bulk Packed	101	Pre-packed For Display	32
Pre-packed For Display	44	Heavy Tee Hinges	77	Bulk Packed	123
Bulk Packed	90	Heavy Vertical Pattern Hasp & Staple		Joist Hanger.....	191
Premium Finishes	55, 129	Pre-packed For Display	52	Joist Shoe.....	193
Grade 11 Stainless Steel Ball Bearing Butt Hinge..	88	Bulk Packed	102	Jump Cups & Brackets.....	184
Grade 13 Stainless Steel Ball Bearing Butt Hinge..	88	Heel Clip	109		
Grafts		Hex Full Nuts	249	K	
Standard.....	200, 201	Hex Head Self Drilling Screw	245	Keeps for Brenton Padbolts	97
Insulated.....	209	Hex Head Timber Screws	239	Keeps for Suffolk/Ring Latches	92
Gravel Board (DuraPost).....	148	Hexagon Head Coach Screws	240	Keep to Weld	194
Gravel Board Brackets.....	185	Hexagon Head Concrete Bolts (Masonry Bolts) .	244	Kenham Pattern Gate Latches	
Gravel Board Panel Clip.....	186	Hexagonal Chisel & Point Crowbar	204	Pre-packed For Display	45
Gravel Board Rail Packer	149	High Performance Composite Hinges and		Bulk Packed	92
Gravity Gate Catch for Timber Posts	120	Catches.....	64-66	Key Blanks	
Gravity Gate Catch to Concrete In.....	120	High Performance Timber Screw	235, 236	For Euro Profile Long Throw Lock	16
Gravity Latch	66	High Security Escutcheon for Euro Profile Long		For Premium Long Throw Lock	17
Gripple Tensioning Gun.....	175	Throw Lock.....	17	Keyed Alike GateMate Long Throw Locks.....	15, 16
Gripples	175	High Tensile Line Wire	174	Kick-Over Stable Latches	
Ground Socket to Concrete-In.....	156	High Visibility Reflectors	53	Pre-packed For Display	28
H		Hinge Front (Ornamental)	134	Bulk Packed	92
Hair Pin Staples.....	175	Hinge Pin.....	196	Knee Rail Strap (Birds Mouth Post Strap).....	190
Half Nuts	249	Hinge Set		Knife, Locking Utility	216
Half Round Gate Hanger Kit for Metal Gates.....	125	Double Strap Hinge Set	22-26		
Hammers		Adjustable Double Strap Hinge Set	24	L	
Standard	205, 206	Self-Closing/Rising Hinge Set.....	26	L Bracket.....	189
Insulated.....	211	Hinges		Laminated Steel Padlock.....	19
Hand Nail Plate	192	Tee Hinges.....	34-36, 54, 56, 76-79, 128, 130, 134	Landscape Rake	204
Hand Rail for Decking.....	171	Hook & Band Hinges.....	38-40, 54, 57, 82-85, 128, 130, 131	Lashing Strap.....	217
Hand Tools	206, 207, 211-216	Heavy Reversible Hinges	41, 57, 86, 131	Left Hand Hook on Heavy Duty Plate.....	111
Handed Hook on Plate.....	111	Butt Hinges	41, 42, 87, 88	Levels.....	213
Handle Retaining Bracket.....	118	High Performance Composite Hinges.....	64, 65	Lever Lock Handles (Ornamental)	
Handles for Long Throw Locks	15, 17	Ornamental Hinges.....	60, 61, 134, 135	Pre-packed For Display	62
Handrail Bracket		Field Gate Hinges	22-26, 107-109	Bulk Packed	136
Pre-packed For Display	70	Hog Ring Clips	179	Lift 'N' Slide Throwover Loop	
Bulk Packed	106	Hook & Band Hinges		Lift Type Catch	121
Handsaw 'Jack' Hardpoint	207	Straight.....	38, 54, 60, 80, 128	Pre-packed For Display	30
Hanger to Bolt	82, 111	Cranked	39, 54, 57, 81, 82, 128, 130, 131	Bulk Packed	117
Hanger to Bolt for Metal Gates.....	124	Adjustable.....	40, 54, 57, 84, 128, 131	Light Tee Hinges	
Hanger to Concrete In for Metal Gates.....	126	Hook & Eye on Plate for Rope Handrails	164	Pre-packed For Display	34
Hanger with Eye on Corner for Metal Gates -		Hook on Plate		Bulk Packed	76
90° Angle.....	124	Pre-packed For Display	72	Linch Pins	196
Hanging Set (Double Strap Hinge Set)		Bulk Packed	82, 85, 110, 111, 183	Line Marking Paint.....	221
Standard Double Strap Hinge Set	22-26	Hooks		Line Wire	174
Adjustable Double Strap Hinge Set	24	To Drive.....	83, 112	Linear Deck Panels.....	168
Self-Closing/Rising Hinge Set.....	26	To Build.....	112	Lock Furniture	
Premium Finishes	58			Pre-packed For Display	21

Index

Lockable Throwover Loop.....	122	Mortice Sashlock - 3 Lever.....	103	Panel Fixing Clips	
Locking Bars Bolt-On.....	101	Mudguard Washers (Repair Washers).....	250	Pre-packed For Display.....	74
Locking Bars to Swivel.....	101	Multi Function Rope on Winder.....	73	Bulk Packed.....	187
Locking Catch		Multi Purpose Fixing Band.....	190	Panel Security Bracket.....	187
Pre-packed For Display.....	28-30	Multi-Claw Elastic Tie Down.....	219	Pedestrian Gate Kit.....	33
Bulk Packed.....	116, 117	Multi-Truss Hanger.....	192	Penny Washers.....	250
Locking Utility Knife with 10 Blades.....	216	N		Pick Axe (Insulated).....	211
Locks		NailFire® Collated Nails.....	229	Pig Bolt (Autolock Animal Bolt).....	49, 97
GateMate Long Throw Lock.....	14-16	NailFire® Fuel Cells.....	229	Plastic Chain.....	182
Padlocks.....	18, 19	Nails.....	222-229	Plastic Expansion Plugs.....	246
Rimsashlock 2 Lever.....	20, 103	Narrow Pattern Kickover Stable Latch		Please Shut The Gate Sign.....	53
Rimdeadlock 2 Lever.....	103	Pre-packed For Display.....	28	Pliers.....	212
Mortice Sashlock 3 Lever.....	103	Bulk Packed.....	92	Pliers for Netting Fasteners.....	179
Presslock.....	103	Necked Tower Bolt		Pneumatic Clip Plier.....	179
London Shelf Bracket.....	106	Pre-packed For Display.....	47	Polyhemp Rope.....	163
Long Throw Lock GateMate.....	14-16	Bulk Packed.....	95	Polypropylene Rope on Winder.....	73
Loop Adaptors.....	178	Netting Fasteners & Pliers.....	179	Polythene Chain.....	182
Loop-over Latch		Netting Pegs		Polythene Spiked Chain.....	181
Pre-packed For Display.....	32	Pre-packed For Display.....	74	Polythene Tarpaulin.....	219
Bulk Packed.....	121, 122	Bulk Packed.....	180	Post Base for Wooden Finials.....	161
M		New Zealand Fastener		Post Caps.....	158
Magnetic Side Pull.....	66	Pre-packed For Display.....	28	Post Caps for DuraPost.....	149
Manchester Corporation		Bulk Packed.....	119	Post Concrete.....	151
Catch.....	120	Newcastle Drainer Shovel		Post Extender.....	156, 157
Latch Bar.....	120	Standard.....	202	Post for Iron Gates.....	69
Manger Ring on Eyebolt		Insulated.....	209	Post for Rope.....	165
Pre-packed For Display.....	72	Newel Post.....	171	Post Hole Digger	
Bulk Packed.....	184	Northumberland Fastener.....	119	Standard.....	201
Manila Rope.....	162, 163	Numerals (Ornamental)		Insulated.....	210
Masonry Anchor.....	247	Pre-packed For Display.....	63	Post Hole Digging Crowbar.....	205
Masonry Bolts.....	244	Bulk Packed.....	137	Post Level.....	214
Masonry Nails.....	227	Nuts & Washers.....	248-250	Post Rammer.....	203
Masonry Screws.....	245	Nylon Expansion Plugs.....	246	Post Spikes.....	152, 155
Maul Hammer with Fibreglass Handle.....	205	Nylon Frame Fixings.....	246	Post Supports.....	152-157
Measuring Wheel Metric.....	215	Nylon Locking Nuts & Washers.....	248	Post Temples.....	158
Medium Strap Hinges		O		Posts for Decking.....	165
Pre-packed For Display.....	37	Octagonal Door Knob (Ornamental)		PowerPro Decking Screws.....	236, 237
Bulk Packed.....	79	Pre-packed For Display.....	63	PowerPro Timber Screws.....	230-234
Medium Tee Hinges		Bulk Packed.....	137	Pozidrive Wood Screws.....	230-233
Pre-packed For Display.....	35	Odd Leg Striker for Self Locking Catches.....	117	Pre-coiled Rope.....	162, 163
Bulk Packed.....	77	Offset Hook on Plate.....	111	Premium Black Ironmongery	
Premium Finishes.....	130	Offset Self Closing Hinges with Legs.....	65	Pre-packed For Display.....	56-59
Mending Plates		Offset Tee Hinges		Bulk Packed.....	130-133
Pre-packed For Display.....	74	Pre-packed For Display.....	35	Premium Long Throw Lock.....	14-16
Bulk Packed.....	189	Bulk Packed.....	79	Pre-packed Nails.....	222-225
Metal Ball Finials.....	161	Open Frame Fibreglass Measure.....	215	Pressed Steel Pull Handle	
Metal Decking Panels.....	168	Ornamental Hardware		Pre-packed For Display.....	17
Metal Fencepost.....	141, 142	Pre-packed For Display.....	60-63	Bulk Packed.....	104
Metal Gate Fixing Kit.....	69	Bulk Packed.....	131-137	Press-Fit Gate Security Collar.....	115
Metal Gates.....	68	Ornamental Hinges		Presslock.....	103
Metal Post Caps.....	158	Pre-packed For Display.....	60, 61	Pro Gravity Latch.....	66
Metal Post Caps (DuraPost).....	149	Bulk Packed.....	134, 135	Pry Bar.....	204
Metal Star Dowels.....	251	Oval Door Knob Furniture		Pull Handle	
Metric Studding Threaded Rod.....	250	Pre-packed For Display.....	21	For Euro Profile Long Throw Lock.....	15
Midacorn Finials.....	160	Bulk Packed.....	104	For Premium Long Throw Lock.....	17
Midball Finials.....	159	Oval Padbolt		PVC Line Wire.....	174
Mild Steel Line Wire.....	174	Pre-packed For Display.....	47	Q	
Mini Bolt Cutters.....	213	Bulk Packed.....	95	Quick Repair Links	
Mini Post Hole Digger		P		Pre-packed For Display.....	70
Standard.....	201	Padbolt		Bulk Packed.....	181
Insulated.....	210	Pre-packed For Display.....	48, 49	R	
Modern Decking Spindle.....	170	Bulk Packed.....	96, 97	R Clips.....	196
Modular Railing System.....	166, 167	Premium Finishes.....	56, 59, 129, 133	Rabbit Netting Pegs	
Monkey Tail Bolt with 5/8" Square Shoot		Padlock Protector.....	20	Pre-packed For Display.....	74
Pre-packed For Display.....	51	Padlocks.....	18, 19	Bulk Packed.....	180
Bulk Packed.....	100	Paints, Tapes & Adhesives.....	221	Radsisseurs.....	178
Mortice Bracket.....	186	Pan Head Timber Screw.....	234		
Mortice Gate Latch.....	116				

Index

Rail Brackets		Round Head Pozidrive Wood Screw	234	Spindle for Ring Gate Latch	92
Pre-packed For Display	31	Round Mouth Shovel	202	Spinning Jenny Wire Dispenser with Ground	
Bulk Packed	123	Round Pattern Staple		Spike	203
Rail Clip (DuraPost)	149	Pre-packed For Display	31	Spirit Level	213
Railing Connectors	169	Bulk Packed	123	Spoon (Double Shovel Holer)	201
Railing Lug to Weld	195	Round Wire Nails	222-224	Spring Fastener Set	
Railing System (Modular)	166, 167	RSJ Hanger for Metal Gates	112, 125	Standard	27, 28
Rake	204	S		Premium Finishes	58
Rapid Automatic Gun	179	Saddle Head Bolts	243	Spring Fastener Set Accessories	117
Rapid Set Post Concrete	151	Safety Hook & Eye		Spring for Sprung Slide Bolt	119
Ratchet Straps	217, 218	Pre-packed For Display	32	Spring Head Roofing Nails	225
Ratchet Winders	177	Bulk Packed	119	Spring Hooks to Crue	70
Receiver Latch to Weld	194	Safety Pattern Hasp & Staple		Spring Latch	117
Receiver Socket	100	Pre-packed For Display	52	Spring Latch Assembly Only for Uni-Latch Kit	118
Reflectors	53	Bulk Packed	101	Spring Loaded Gate Wheel	
Reinforcement Box Section for DuraPost	147	Saw	207	Pre-packed For Display	32
Removable Hanger for Metal Gates	124	Screw Eye	251	Bulk Packed	123
Repair Links		Screw-In Panel Clips	187	Spring-Loaded Animal Bolt	
Pre-packed For Display	70	Screws	230-239	Pre-packed For Display	49
Bulk Packed	181	Security Banding	190	Bulk Packed	98
Repair Spur	153	Security Chain	102	Spring-Loaded Bolt	
Repair Washers	250	Security Collar	115	Pre-packed For Display	49
Return Springs		Self Drilling Screw for DuraPost System	150	Bulk Packed	97, 98
Pre-packed For Display	32	Self Drilling Screw (Hex Head)	245	Spring-Loaded Bolt with Long Body	98
Bulk Packed	93	Self Locking Animal Safety Catch		Spring-Loaded Bolt with Short Body	
Reversible Hinges		Pre-packed For Display	29	Pre-packed For Display	49
Pre-packed For Display	41	Bulk Packed	116	Bulk Packed	98
Bulk Packed	86	Self Locking Catch		Spring Jump Cups	184
Premium Finishes	57, 131	Pre-packed For Display	28, 29	Sprung Slide Bolt for Metal Field Gates	119
Right Hand Hook on Heavy Duty Plate	111	Bulk Packed	116	Spud to Concrete In	126
Rimdeadlock - 2 Lever	103	Self-Closing High Performance Hinges	64	Square Decking Spindle	170
Rimlock	14-16	Self-Closing/Rising Hinge Set	26	Square Link Chain in Plastic Sleeving	102
Rimsashlock - 2 Lever		Seven Ply Strand Wire	174	Square Mouth Shovel	
Pre-packed For Display	20	Shear Nuts	249	Standard	202
Bulk Packed	103	Shed Security Bar	20	Insulated	209
Rimsashlock Door Knob		Shelf Brackets	106	Square Newel Post	171
Pre-packed For Display	21	Shoe Type Post Strap (Three Times Bent)	190	Square Pattern Staple	123
Bulk Packed	104	Shoot Bolt		Square Plate Hanger for Metal Gates	126
Ring Fasteners	179	Pre-packed For Display	30	Square Plate Washers	249
Ring Gate Latch		Bulk Packed	117	Square Post Hanger for Metal Gates	124
Pre-packed For Display	44	Short Hinges	197	Square Post Hanger with Eye on Corner	
Bulk Packed	91	Shovel Holers		for Metal Gates	125
Premium Finishes	55, 59, 129, 133	Standard	201	Square Twisted Nails	225
Ornamental	61, 145	Insulated	209	Stable Latches	
Ring Gun	179	Shovels		Pre-packed For Display	28
Ring on Plate		Standard	202	Bulk Packed	92
Pre-packed For Display	72	Insulated	209	Stainless Steel Ironmongery	
Bulk Packed	184	Side Gate Kit	33	Pre-packed For Display	54-56
Ring Shank Nails	225	Signs	53	Bulk Packed	128-130
Rising Hinge	26, 109	Sitemate Fixings	222-251	Stair Connectors for Decking Spindles	169
Rising/Self-Closing Hinge Set	26	Sitemate Tools	200-221	Stair Tread Bracket Kit	193
Rivetting Plug	197	Slam Catch (Auto Gate Catch)	45, 93	Stand Off Self Locking Catch	116
Rocker Plate	109	Sledge Hammer		Staple (Field gate Staple)	
Roofing Bolts & Nuts	242, 243	Standard	205	Pre-packed For Display	31, 32
Roofing Nails	225	Insulated	211	Bulk Packed	123
Root Cutter (Post Hole Digging Crowbar)	205	Sleeper Screws (Hex Head Timber Screws)	239	Staple Catch	117
Rope		Sleeve Anchor	247	Staple on Plate	
Manila	162, 163	Slide Bolt for Metal Gates	119	Pre-packed For Display	72
Polyhemp	163	Slip Rail Brackets		Bulk Packed	102, 183
Blue Polypropylene	219	Pre-packed For Display	31	On Elongated Plate	32, 123
Rope on Winders	73	Bulk Packed	122	Staples (Cut Point)	226
Rope Ends	164	Slotted Bottom Band for 3" Gates	109	Star Dowels	251
Rope Eye on Plate	165	Snap Off Nuts (Cone Head Security Nuts)	249	Steel Fence Post (DuraPost)	140-142
Rope Fittings	164, 165	Spade Drill for Long Throw Locks	17	Steel Gate Post	67, 144
Rope Hook	165	Spade Hinges to Weld	197	Steel Hex Full Nuts	249
Rope on Winder	73	Spiked Chain	181	Steel Hex Half Nuts	249
Rope Post	165	Spindle Connectors	169	Steel Washers	250
Round End Angle Cleats	176	Spindles for Decking	169, 170	Stop Chamfered Decking Spindle	170

Code Index

Code	Page	Code	Page	Code	Page	Code	Page	Code	Page	Code	Page	Code	Page	Code	Page
001 1002	76	004 3006	78	007 9001	81	017 4003	86	030 6021	23	043 3001	111	050 1812	124	055 1251	108
001 1003	76	004 3006	128	007 9003	81	017 4501	86	030 6521	23	043 3003	111	050 2502	124	055 4501	108
001 1502	76	004 3501	78	007 9006	81	017 4503	86	031 3001	23	043 3501	111	050 2512	124	055 6001	108
001 1503	76	004 4001	78	007 9006	128	017 450B	86	031 4501	23	043 3503	111	050 3002	124	056 1251	109
001 2002	76	004 4501	78	007 900B	81	017 450B	131	031 6001	23	043 4001	111	050 3011	124	057 1251	109
001 2003	76	004 5001	78	007 900B	130	017 5001	86	032 3001	24	043 4501	111	050 3012	124	058 0751	109
001 2502	76	004 6001	78	008 1201	84	017 6001	86	032 3003	24	044 2251	112	050 3021	124	058 0753	109
001 2503	76	005 1502	79	008 1203	84	017 6003	86	032 4501	24	045 0191	110	051 3001	124	059 0751	109
001 3002	76	005 2002	79	008 3501	84	017 600B	86	032 4503	24	045 0251	110	052 0351	125	060 1501	121
001 3003	76	005 2502	79	008 4501	84	017 600B	131	032 6001	24	046 0124	113	052 0352	125	060 3501	121
002 2502	77	005 3001	79	008 4503	84	017 7501	86	032 6003	24	046 0164	113	052 0361	125	060 3503	121
002 2503	77	005 3002	79	008 4506	84	017 7503	86	032 600B	24	046 0194	113	052 1051	126	061 3501	122
002 3001	77	006 1201	80	008 4506	128	017 9001	86	032 600B	58	046 0224	113	052 1151	126	061 3503	122
002 3002	77	006 2001	80	008 450B	84	017 9003	86	033 3001	24	046 0254	113	052 1351	125	061 4501	122
002 3003	77	006 2501	80	008 450B	131	017 900B	86	033 4501	24	046 0324	113	052 1352	125	061 4503	122
002 3501	77	006 3001	80	008 6001	84	017 900B	131	033 6001	24	046 1194	113	052 1361	125	062 3001	122
002 3502	77	006 3003	80	008 6003	84	018 0752	87	033 6003	24	046 2194	113	052 1452	126	062 3003	122
002 3503	77	006 3501	80	008 6006	84	018 1002	87	034 4511	26	047 0124	113	052 1552	126	063 0001	116
002 3751	77	006 3503	80	008 6006	128	018 1252	87	034 6001	26	047 0164	113	052 1702	126	063 0003	116
002 3752	77	006 4001	80	008 600B	84	018 1254	87	034 6011	26	047 0194	113	052 1712	126	063 0011	116
002 3753	77	006 4003	80	008 600B	131	018 1502	87	034 6021	26	047 0224	113	052 1751	125	063 0011	118
002 4001	77	006 4501	80	008 7501	84	018 3161	86	036 0001	27	047 0254	113	052 1802	126	063 0111	116
002 4002	77	006 4503	80	008 7503	84	018 4193	86	036 0003	27	047 0324	113	052 1812	126	064 0001	116
002 4003	77	006 4506	80	008 750B	84	019 0502	87	036 000B	27	047 2194	113	052 1902	126	064 0111	117
002 4501	77	006 4506	128	008 750B	131	019 0752	87	036 000B	58	048 0404	115	052 2002	125	065 0011	117
002 4502	77	006 5001	80	008 7511	85	019 1002	87	036 000B	132	048 0504	115	052 2012	125	065 0021	117
002 4503	77	006 6001	80	008 9001	84	019 1502	87	037 0001	28	049 1201	114	052 2102	125	065 0031	117
002 450B	77	006 6003	80	008 9003	84	020 1002	87	037 0011	27	049 1202	114	052 2112	125	065 0041	117
002 450B	130	006 7501	80	008 9006	84	021 1002	88	038 0001	27	049 1203	114	052 2202	125	065 0051	117
002 6001	77	006 7503	80	008 9006	128	022 0752	88	038 000B	27	049 4121	114	052 2212	125	066 0001	117
002 6002	77	006 9001	80	008 900B	84	023 1002	87	038 000B	58	049 4122	114	052 2254	126	067 0011	117
002 6003	77	006 9003	80	008 900B	131	024 1004	87	038 000B	131	049 4123	114	052 2352	125	067 0021	117
003 1501	78	007 1051	81	009 4501	82	025 0502	88	038 0011	27	049 4161	114	052 3352	125	067 0031	117
003 1502	78	007 1201	81	009 5001	82	025 6081	85	038 0021	27	049 4162	114	052 4351	124	067 0041	117
003 1503	78	007 1203	81	009 6001	82	026 0001	82	039 0001	28	049 4163	114	052 5351	124	067 0051	117
003 2002	78	007 2501	81	010 0121	82	026 000B	82	039 0011	29	049 4201	114	052 6351	124	068 0001	118
003 2501	78	007 3001	81	010 0123	82	026 000B	131	039 0031	30	049 4202	114	052 7351	124	069 0751	116
003 2502	78	007 3003	81	010 1161	82	026 0011	82	039 0041	29	049 4203	114	052 8351	124	070 0001	119
003 3001	78	007 3501	81	010 2161	82	026 001B	82	040 0001	115	049 6122	114	052 9351	124	071 1002	119
003 3002	78	007 3503	81	010 3201	82	026 001B	131	040 0166	115	049 6123	114	053 0881	107	071 3001	119
003 3003	78	007 4001	81	010 4201	82	026 0101	85	040 0196	115	049 6161	114	053 1201	108	071 4202	119
003 3501	78	007 4003	81	011 0161	85	027 0756B	42	040 2751	111	049 6162	114	053 1251	107	072 0001	122
003 3503	78	007 4501	81	011 0191	85	027 0756B	55	040 3221	111	049 6163	114	053 1253	107	073 0001	120
003 4001	78	007 4503	81	012 1121	82	027 0756B	88	040 3251	111	049 6201	114	053 2601	108	074 0001	120
003 4003	78	007 4506	81	012 1161	82	027 1006B	42	040 3253	111	049 6202	114	053 3001	107	074 0003	120
003 4501	78	007 4506	128	013 5121	83	027 1006B	55	040 3261	111	049 6203	114	053 3003	107	075 0701	120
003 4503	78	007 450B	81	013 6161	83	027 1006B	88	041 8191	112	049 6221	114	053 3601	108	075 2501	120
003 450B	78	007 450B	130	015 0011	79	027 1016B	42	041 8193	112	049 6223	114	053 4501	107	077 0751	123
003 450B	130	007 5001	81	015 0012	79	027 1016B	55	042 4191	110	049 6241	114	053 4503	107	077 1001	123
003 5001	78	007 5003	81	015 0013	79	027 1016B	88	042 4193	110	049 6251	114	053 5601	108	077 1501	123
003 5003	78	007 6001	81	016 1002	77	027 1016P	42	042 419B	110	049 6321	114	053 6001	107	078 0651	122
003 6001	78	007 6003	81	016 3002	77	027 1016P	55	042 419B	132	049 8201	114	053 6003	107	078 0751	123
003 6003	78	007 6006	81	016 3752	77	027 1016P	88	042 4221	110	049 8202	114	053 600B	107	078 0801	122
003 600B	78	007 6006	128	016 4502	77	030 3001	22	042 5101	110	049 8203	114	053 600B	132	079 1001	123
003 600B	130	007 600B	81	017 1051	86	030 4501	22	042 5191	110	049 8221	114	053 6011	108	079 1201	123
004 1001	78	007 600B	130	017 3001	86	030 4521	23	042 5193	110	049 8223	114	053 7501	107	080 1501	123
004 1501	78	007 7501	81	017 3003	86	030 6001	22	042 519B	132	049 8241	114	053 9001	107	081 2802	123
004 2001	78	007 7503	81	017 3501	86	030 6003	22	042 6161	110	049 8251	114	054 1251	108	081 3681	123
004 2501	78	007 750B	81	017 3503	86	030 600B	22	042 6191	110	049 8321	114	054 6001	108	081 3683	123
004 3001	78	007 750B	130	017 4001	86	030 600B	58	043 2501	111	050 1802	124	054 6011	108	082 1201	105

Code Index

Code	Page	Code	Page	Code	Page	Code	Page	Code	Page	Code	Page	Code	Page	Code	Page
082 1701	100	103 1502	96	116 450B	133	127 0012	92	141 00750	218	149 0136	15	182 2508	106	215 2401	180
082 2001	105	103 1503	96	116 6001	99	127 0013	92	141 00900	218	149 0146	15	182 2509	106	215 2751	180
083 0501	123	103 1506	96	116 6003	99	127 0022	92	141 1002	102	149 0156	15	182 3008	106	215 9001	180
084 3501	112	103 1506	129	116 600B	99	127 0033	92	141 1003	102	149 0186	16	182 3009	106	215 9021	180
085 2251	112	103 150B	96	116 600B	133	129 0752	92	141 10600	219	149 0196	16	182 3508	106	216 1201	180
086 0701	82	103 150B	133	117 4501	99	131 2401	92	141 20800	219	149 0300	103	182 3509	106	216 1801	180
086 1001	82	103 2001	96	117 4506	99	131 2451	92	142 2001	101	149 1106	16	183 1001	106	216 2401	180
087 0881	107	103 2002	96	117 4506	130	132 2002	93	142 2003	101	149 1116	16	183 1251	106	217 0015	179
087 4501	107	103 2003	96	117 6001	99	132 2003	93	142 2501	101	149 1126	16	183 1501	106	217 0022	179
087 6001	107	103 200B	96	118 6001	136	132 2502	93	142 2503	101	149 1136	16	183 2001	106	217 0035	179
088 0191	111	103 200B	133	118 6003	136	132 2503	93	143 11070	219	149 1146	16	183 2501	106	217 0040	179
088 1191	111	103 2501	96	119 1161	100	133 0502	95	143 14090	219	149 1156	16	183 3001	106	217 0050	179
088 3191	111	104 1501	96	120 0011	93	133 0503	95	143 2001	101	150 1503	134	201 0951	178	217 0060	179
089 2201	105	104 1502	96	120 0012	93	133 0652	95	143 2003	101	150 2253	134	201 0952	178	218 0000	179
092 0001	118	104 1511	97	120 0013	93	134 3003	105	143 3001	101	150 3003	134	201 5062	178	218 0012	179
092 0011	118	104 2001	96	120 0021	93	134 7503	105	143 36270	219	151 3003	134	201 5082	178	218 1011	179
092 0021	118	104 2002	96	120 0023	93	134 7513	105	143 54350	219	152 7053	134	201 5092	178	218 1026	179
092 0031	119	104 2006	96	120 1011	93	135 1001	94	143 70540	219	153 1003	135	202 0082	178	218 1111	179
092 0031S	119	104 2006	129	120 1012	93	135 1003	94	144 1851	20	154 4003	134	202 0092	178	218 2000	179
092 0041	118	104 2011	97	120 1013	93	135 1501	94	144 1861	20	155 1503	136	202 0321	176	219 0011	174
092 0051	118	104 201B	97	122 3753	98	135 1503	94	145 0012	102	156 1753	137	202 0401	176	219 0021	174
092 0061	118	104 201B	133	122 6003	98	135 2001	94	145 0031	102	157 1503	136	202 0501	176	219 0031	174
093 0001	118	104 2501	96	122 6013	98	135 2003	94	145 0042	102	158 2503	137	202 0521	176	219 0049	174
094 0001	118	104 3001	96	123 0012	89	135 2501	94	145 0051	102	159 1503	136	202 0541	176	219 0059	174
095 0001	112	105 0121	97	123 0013	89	135 2503	94	146 1501	104	160 1003	136	202 0751	176	219 0061	174
099 2014	194	105 0161	97	123 0021	89	135 3001	94	146 1503	104	160 1753	136	202 1501	176	219 0081	174
099 2034	194	106 0121	97	123 0022	89	135 3003	94	147 1752	104	162 0193	137	202 1571	176	219 0091	174
099 2044	194	106 0161	97	123 0023	89	135 6001	94	147 1753	104	164 1503	135	202 5092	178	219 0111	174
099 2054	194	106 0162	97	123 002B	89	135 6003	94	147 2003	17	170 0030	137	203 0092	178	220 0011	174
099 2101	121	107 3001	97	123 002B	132	136 1001	94	147 2005	17	170 0031	137	203 1501	185	220 0029	174
099 2111	121	107 3751	97	123 0031	90	136 1003	94	147 200C	17	170 0032	137	203 1511	185	220 0039	174
099 2121	121	107 4501	97	123 0032	90	136 1006	94	147 2013	15	170 0033	137	203 3001	185	220 0041	174
099 2131	121	107 6001	97	123 0033	90	136 1006	129	147 201C	15	170 0034	137	205 0881	176	220 0049	174
099 2151	120	108 2301	97	123 0036	90	136 1501	94	148 0300	18	170 0035	137	206 0881	176	221 0000	175
099 2161	120	109 0122	98	123 0036	129	136 1503	94	148 0400	18	170 0036	137	206 1251	176	221 0011	175
099 2171	123	110 0122	97	124 0062	92	136 2001	94	148 0410	18	170 0037	137	206 1501	176	221 0021	175
099 2181	121	110 0162	97	124 1001	91	136 2003	94	148 0500	18	170 0038	137	207 0501	177	221 0041	175
100 0751	95	110 0952	97	124 1251	91	136 200B	94	148 0510	18	170 0039	137	208 0001	177	221 5091	178
100 0752	95	110 3122	98	124 1252	91	136 200B	133	148 0600	18	174 3003	134	209 0011	177	222 0011	174
100 0753	95	110 3952	98	124 1253	91	136 2501	94	148 0700	18	174 3503	134	209 0021	177	222 0021	174
100 1001	95	110 4501	98	124 125B	91	136 2503	94	148 2400	18	174 4003	134	210 3001	180	222 0091	178
100 1002	95	111 2002	100	124 125B	133	137 0752	101	148 2500	18	174 4503	134	210 3011	180	222 5091	178
100 1003	95	113 3001	100	124 1501	91	137 1132	101	148 4400	18	175 0453	104	211 0062	176	223 0091	178
100 1501	95	113 3003	100	124 1502	91	137 1133	101	148 4500	18	175 0503	137	211 0082	176	223 3060	219
100 1502	95	113 4501	100	124 1503	91	137 1502	101	149 0000	17	175 0603	104	211 0102	176	223 3080	219
100 1503	95	113 4503	100	124 1506	91	137 1503	101	149 0006	17	180 0652	106	211 0122	176	223 3100	219
100 2001	95	113 6001	100	124 1506	129	138 1801	101	149 000C	16	180 0657	106	212 0092	178	223 3120	219
100 2002	95	114 3001	100	124 150B	91	138 1803	101	149 0013	103	180 0752	106	212 1756	175	224 0032	178
100 2003	95	114 3003	100	124 150B	133	139 1001	20	149 001C	15	180 0757	106	212 5092	178	224 0052	178
100 2501	95	114 4501	100	124 1751	91	139 1801	20	149 0020	103	181 0652	106	213 0092	178	224 0062	178
100 2503	95	114 4503	100	124 1753	91	140 00360	217	149 0030	103	182 1008	106	213 2101	175	224 0082	178
101 1501	95	114 6001	100	125 0751	135	140 10420	218	149 003C	15	182 1009	106	213 3601	175	224 0102	178
101 1503	95	114 6003	100	125 0753	135	140 1501	102	149 0040	103	182 1258	106	213 4601	175	224 0122	178
102 1001	95	115 4501	99	125 1501	91	140 1503	102	149 0050	104	182 1259	106	214 0304	195	225 0062	182
102 1002	95	115 4503	99	125 1503	91	140 30360	217	149 0070	105	182 1508	106	214 0524	195	225 0082	182
102 1003	95	116 3001	99	125 2001	135	140 40480	218	149 0086	14	182 1509	106	214 0734	195	225 0102	182
103 1001	96	116 3003	99	125 2003	135	140 50450	218	149 0096	14	182 2008	106	215 1201	180	225 0122	182
103 1002	96	116 4501	99	125 200B	135	140 60400	217	149 0106	14	182 2009	106	215 1401	180	225 0162	182
103 1003	96	116 4503	99	125 2501	135	140 71000	217	149 0116	14	182 2258	106	215 1501	180	226 0327	186
103 1501	96	116 450B	99	125 2503	135	141 00600	218	149 0126	15	182 2259	106	215 1801	180	226 0707	186

Code Index

Code	Page	Code	Page	Code	Page	Code	Page	Code	Page	Code	Page	Code	Page	Code	Page
226 0757	186	240 0060	182	256 1521	184	283 0307	188	334 00251	234	364 00701	233	374 00702	231	376 01001	233
226 0759	186	241 0031	181	260 0501	152	285 0471	192	334 00253	234	364 00702	233	374 00708	231	376 01002	231
227 0757	186	241 0041	181	260 0503	152	285 1257	193	334 00258	234	364 00708	233	374 50252	231	376 01008	232
228 0757	186	241 0051	181	260 0701	152	285 1471	192	334 00301	234	365 00501	233	374 50258	231	376 01208	232
229 0037	190	241 0061	181	260 0703	152	285 2007	193	334 00303	234	365 00502	233	374 50302	231	376 01308	232
229 0047	190	241 0081	181	260 0751	152	286 1507	192	334 00308	234	365 00508	233	374 50308	231	376 01508	232
229 0507	190	241 0101	181	260 0753	152	286 2007	192	334 00401	150	365 00601	233	374 50402	231	380 1150	172
229 0757	190	241 0251	181	260 0901	152	286 2017	192	334 00401	234	365 00602	233	374 50408	232	380 1159	172
229 1007	190	241 0301	181	260 0903	152	289 0407	192	334 00403	234	365 00608	233	374 50502	231	380 6250	172
229 1017	190	241 0401	181	260 1001	152	289 0507	192	334 00408	234	365 00701	233	374 50503	232	394 00251	230
229 1117	190	241 0511	181	260 1003	152	289 0607	192	334 0040A	150	365 00702	233	374 50508	232	394 00253	230
229 1257	190	241 0601	181	260 1751	152	289 0617	192	334 0040B	150	365 00708	233	374 50702	231	394 00258	230
229 1507	190	241 0611	181	260 1753	152	289 0627	192	334 0040G	150	365 00801	233	374 50703	232	394 00301	230
229 2227	190	241 0651	181	261 0751	153	289 0807	192	334 00501	234	365 00802	233	374 50708	232	394 00303	230
230 0287	189	241 0701	181	261 0753	153	289 0907	192	334 00503	234	365 00808	233	375 00301	232	394 00308	230
230 0302	189	243 0101	183	261 1001	153	289 1507	192	334 00508	234	365 00902	233	375 00302	231	394 00401	230
230 0327	187	244 0501	183	261 1003	153	289 1517	192	334 10401	150	365 00908	233	375 00303	232	394 00403	230
230 0329	187	245 0501	183	262 0501	154	291 2007	193	334 1040A	150	365 01001	233	375 00308	232	394 00408	230
230 0357	187	246 0501	184	262 0503	154	292 0951	193	334 1040B	150	365 01002	233	375 00401	232	395 00303	230
230 0401	187	246 1501	184	262 0701	154	294 0907	193	334 1040G	150	365 01008	233	375 00402	231	395 00308	230
230 0457	187	247 0001	184	262 0703	154	295 0377	193	335 00251	234	366 01008	233	375 00403	232	395 00401	230
230 0477	187	247 0752	184	262 0751	154	296 0751	157	335 00253	234	370 980G	165	375 00408	232	395 00403	230
230 0479	187	249 1012	182	262 0753	154	296 1001	157	335 00301	234	371 980G	165	375 00501	232	395 00408	230
230 0507	187	249 1412	182	262 0901	154	297 0751	157	335 00303	234	373 00128	231	375 00502	231	395 00501	230
230 0517	186	249 5052	182	262 0903	154	297 1001	157	335 00308	234	373 00168	231	375 00503	232	395 00503	230
230 0527	187	249 6062	182	262 1001	154	298 0802	156	335 00401	234	373 00208	231	375 00508	232	395 00508	230
230 0529	187	249 7072	182	262 1003	154	298 1102	156	335 00403	234	373 00258	231	375 00601	232	395 00808	230
230 1007	187	249 8082	182	262 1501	154	301 0084	196	335 00408	234	373 00308	231	375 00602	231	396 00401	230
230 1507	185	250 0760	182	262 1503	154	302 0124	196	335 00501	234	373 50168	231	375 00608	232	396 00403	230
230 1607	187	251 0502	182	263 0751	155	302 1124	196	335 00503	234	373 50251	232	375 00701	232	396 00408	230
230 2257	185	251 0632	182	263 0753	155	302 1164	196	335 00508	234	373 50252	231	375 00702	231	396 00501	230
230 3507	185	251 0752	182	263 1001	155	303 0124	197	336 00401	234	373 50253	232	375 00703	232	396 00503	230
230 4507	185	251 0882	182	263 1003	155	303 1124	197	336 00403	234	373 50258	231	375 00708	232	396 00508	230
231 0258	188	251 1002	182	264 0751	154	304 0252	197	336 00501	234	373 50302	231	375 00801	232	396 00801	230
231 0388	188	253 0042	181	264 0753	154	304 0752	197	336 00503	234	373 50308	231	375 00802	231	396 00803	230
231 0508	188	253 0052	181	264 1001	154	305 0122	197	351 0245	164	373 50402	231	375 00808	232	396 00808	230
231 0658	188	253 0062	181	264 1003	154	307 0464	197	351 024C	164	373 50408	231	375 00902	231	396 00901	230
231 0758	188	253 0072	181	265 0753	157	308 0062	196	351 0285	164	373 50502	231	375 00908	232	400 0301	225
231 1008	188	253 0082	181	265 1003	157	308 0082	196	351 028C	164	373 50508	231	375 01001	232	401 0011	224
231 1508	188	253 0102	181	266 4507	157	309 0252	196	353 0245	165	374 00251	232	375 01002	231	401 0021	224
232 1507	191	253 0122	181	267 0751	156	310 0632	196	353 024C	165	374 00252	231	375 01008	232	401 0041	224
232 1657	191	253 0352	181	267 0753	156	310 1002	196	353 0285	165	374 00253	232	376 00401	232	401 0044	224
233 3751	175	255 0017	191	267 1001	156	314 0124	197	353 028C	165	374 00258	231	376 00402	231	401 0051	224
233 4501	175	255 0027	191	267 1003	156	320 0240	163	355 0005	165	374 00301	232	376 00403	232	401 0054	224
234 0107	190	255 0037	191	267 2007	157	320 0280	163	355 000C	165	374 00302	231	376 00408	232	401 0061	224
235 0061	181	255 0254	195	268 0751	155	320 0320	163	359 0245	165	374 00303	232	376 00501	233	401 0071	224
235 0658	188	255 0324	195	268 0753	155	321 0240	163	359 024C	165	374 00308	231	376 00502	231	401 0074	224
235 0758	188	255 0387	191	269 0751	155	323 0240	163	364 00258	233	374 00401	232	376 00503	232	401 0081	224
235 1008	188	255 0404	195	269 0753	155	323 0280	163	364 00301	233	374 00402	231	376 00508	232	401 0084	224
235 1258	188	255 0447	191	269 1001	155	323 0320	163	364 00302	233	374 00403	232	376 00601	233	401 0101	224
235 1508	188	255 0477	191	269 1003	155	323 0400	163	364 00308	233	374 00408	231	376 00602	231	401 0111	224
236 0061	181	255 0504	195	271 0751	156	326 0240	163	364 00401	233	374 00452	231	376 00603	232	401 0131	224
236 0758	188	255 0701	195	271 0753	156	326 0280	163	364 00402	233	374 00458	231	376 00608	232	401 0134	224
236 1008	188	255 1007	191	271 1001	156	328 0240	163	364 00408	233	374 00501	232	376 00801	233	401 0161	224
237 0758	189	255 1447	191	271 1003	156	328 0280	163	364 00501	233	374 00502	231	376 00802	231	401 0171	224
237 1008	189	255 1477	191	273 0001	156	329 0240	163	364 00502	233	374 00508	231	376 00803	232	401 0174	224
237 1258	189	255 2477	191	279 1000	151	329 0280	163	364 00508	233	374 00601	232	376 00808	232	401 0181	224
237 1508	189	255 2757	191	279 2000	151	329 0320	163	364 00601	233	374 00602	231	376 00901	233	402 0011	224
238 0388	189	256 0001	184	280 2000T	151	334 00201	234	364 00602	233	374 00608	231	376 00902	231	402 0021	224
239 0060	181	256 0031	184	283 0207	188	334 00208	234	364 00608	233	374 00701	232	376 00908	232	402 0031	224

Code Index

Code	Page	Code	Page	Code	Page	Code	Page	Code	Page	Code	Page	Code	Page	Code	Page
402 0041	224	423 0042	250	431 7610	237	461 11382	245	502 3503	35	506 4506	54	509 3501	41	514 1001	47
402 0051	224	423 0052	250	432 0506	237	461 11502	245	502 3751	35	506 5001	38	509 4001	41	514 1002	47
402 0061	224	423 0062	250	432 0606	237	461 1252	245	502 3752	35	506 6001	38	509 4003	41	514 1003	47
403 0021	225	423 0072	250	432 0706	237	461 1322	245	502 3753	35	506 6003	38	509 4501	41	515 2301	49
403 0031	225	423 0082	250	432 4510	237	461 1382	245	502 4001	35	506 7501	38	509 4503	41	516 0122	49
403 0034	225	423 0092	250	432 6010	237	461 1502	245	502 4002	35	506 9001	38	509 450B	41	516 1122	49
403 0041	225	423 0102	250	432 7510	237	464 00302	236	502 4003	35	506 9003	38	509 450B	57	516 1162	49
403 0044	225	423 0112	250	434 50500	236	464 00402	236	502 4501	35	507 2501	39	509 5001	41	516 1952	49
403 0071	225	423 0122	250	434 50600	236	465 00502	236	502 4502	35	507 3001	39	509 5003	41	516 3122	49
403 0081	225	423 0132	250	434 50750	236	465 00602	236	502 4503	35	507 3003	39	509 6001	41	516 3952	49
404 1002	227	423 0142	250	436 1102	246	465 00702	236	502 4511	35	507 3501	39	509 6003	41	517 2002	51
405 0201	226	423 0152	250	436 1302	246	465 00802	236	502 4513	35	507 3503	39	509 600B	41	517 4501	50
405 0251	226	423 0162	250	437 0828	245	465 01002	236	502 6001	35	507 4001	39	509 600B	57	517 4506	50
405 0301	226	423 0171	250	437 1028	245	471 1161	150	502 6002	35	507 4003	39	509 7501	41	517 4506	56
405 0401	226	423 0181	250	437 1228	245	471 1551	150	502 6003	35	507 4501	39	509 7503	41	518 6001	62
405 0501	226	423 0191	250	437 1528	245	473 50162	235	503 1501	36	507 4503	39	509 9001	41	518 6003	62
405 1401	226	423 0201	250	440 0702	239	473 50252	235	503 1502	36	507 4506	39	509 9003	41	519 3001	51
406 0330	251	423 0211	250	440 0902	239	473 50302	235	503 2001	36	507 4506	54	509 900B	41	519 3003	51
406 0380	251	424 0062	250	440 1002	239	473 50402	235	503 2002	36	507 450B	39	509 900B	57	519 4501	51
406 0440	251	424 0082	250	440 10702	239	473 50502	235	503 2501	36	507 450B	57	510 0751	47	519 4503	51
406 0500	251	424 0101	250	440 10902	239	474 00252	235	503 2502	36	507 5001	39	510 0753	47	520 3001	50
406 0600	251	424 0102	250	440 11002	239	474 00302	235	503 3001	36	507 6001	39	510 1001	47	520 3003	50
407 0010	251	424 0121	250	441 0701	239	474 00402	235	503 3003	36	507 6003	39	510 1002	47	520 4501	50
407 0060	251	424 0122	250	441 0901	239	474 00452	235	503 3501	36	507 6006	39	510 1003	47	520 4503	50
407 0080	251	424 0161	250	441 1001	239	474 00502	235	503 3503	36	507 6006	54	510 1501	47	520 450B	50
409 0042	251	424 0162	250	441 10701	239	474 00602	235	503 4001	36	507 600B	39	510 1502	47	520 450B	59
409 0111	251	424 0201	250	441 11001	239	474 00702	235	503 4003	36	507 600B	57	510 1503	47	520 6001	50
409 1002	251	424 0202	250	441 11501	239	475 00302	235	503 4501	36	507 7501	39	510 2001	47	520 6003	50
410 0651	225	426 0010	221	441 12001	239	475 00402	235	503 4503	36	507 7503	39	510 2002	47	521 0011	45
414 8401	243	426 0030	221	441 12501	239	475 00502	235	503 450B	36	507 750B	39	510 2003	47	521 0012	45
415 8251	243	426 0040	221	441 1401	239	475 00602	235	503 450B	56	507 750B	57	510 2501	47	521 0013	45
415 8261	243	426 0902	246	441 1501	239	475 00702	235	503 5001	36	507 9001	39	510 2503	47	521 0021	45
416 0062	249	426 1102	246	441 2001	239	475 00802	235	503 6001	36	507 9003	39	511 1501	47	521 0023	45
416 0081	249	426 1302	246	441 2501	239	475 00902	235	503 6003	36	507 900B	39	511 1503	47	522 2002	37
416 0082	249	426 1502	246	444 50500	236	475 01002	235	503 600B	36	507 900B	57	512 1001	48	522 2502	37
416 0101	249	426 1802	246	444 50600	236	476 00402	235	503 600B	56	508 3501	40	512 1002	48	522 3002	37
416 0102	249	427 0828	245	444 50750	236	476 00502	235	504 0502	41	508 4501	40	512 1003	48	523 0012	43
416 0121	249	427 1028	245	452 0082	248	476 00602	235	504 0752	41	508 4503	40	512 1501	48	523 0013	43
416 0122	249	427 1228	245	452 0102	248	476 00802	235	504 1002	41	508 4506	40	512 1502	48	523 0021	43
416 0161	249	427 1528	245	452 0122	248	476 01002	235	504 1502	41	508 4506	54	512 1503	48	523 0022	43
416 0162	249	429 0060	246	453 0102	249	476 01202	235	505 1001	36	508 450B	40	512 1506	48	523 0023	43
416 0201	249	429 0070	246	453 0122	249	476 01302	235	505 1501	36	508 450B	57	512 1506	56	523 002B	43
416 0202	249	430 0100	246	453 0162	249	476 01502	235	505 2001	36	508 6001	40	512 150B	48	523 002B	59
417 0202	249	430 0120	246	454 0062	248	501 1002	34	505 2501	36	508 6003	40	512 150B	59	523 0031	43
418 0062	248	431 0000	161	454 0082	248	501 1003	34	505 3001	36	508 6006	40	512 1511	49	523 0032	43
418 0082	248	431 1100	246	454 0101	248	501 1502	34	505 3006	36	508 6006	54	512 1512	49	523 0033	43
418 0102	248	431 1110	246	454 0102	248	501 1503	34	505 3006	54	508 600B	40	512 2001	48	523 0036	43
418 0122	248	431 1130	246	454 0121	248	501 2002	34	505 3501	36	508 600B	57	512 2002	48	523 0036	55
419 0111	251	431 1160	246	454 0122	248	501 2003	34	505 4001	36	508 7501	40	512 2003	48	524 1501	44
420 0081	249	431 1800	246	454 0162	248	501 2502	34	505 4501	36	508 7503	40	512 200B	48	524 1503	44
420 0101	249	431 2100	246	454 0202	248	501 2503	34	506 2501	38	508 750B	40	512 200B	59	525 1001	44
420 0121	249	431 2110	246	454 50500	236	501 3002	34	506 3001	38	508 750B	57	512 2501	48	525 1251	44
422 0101	249	431 2130	246	454 50600	236	501 3003	34	506 3003	38	508 9001	40	513 1501	48	525 1252	44
422 0102	249	431 2160	246	454 50750	236	502 2502	35	506 3501	38	508 9003	40	513 1511	48	525 1253	44
422 0121	249	431 2800	246	461 0382	245	502 2503	35	506 3503	38	508 9006	40	513 2001	48	525 125B	44
422 0122	249	431 5010	237	461 0502	245	502 3001	35	506 4001	38	508 9006	54	513 2006	48	525 125B	59
422 0161	249	431 5110	237	461 10382	245	502 3002	35	506 4003	38	508 900B	40	513 2006	56	525 1501	44
422 0162	249	431 6010	237	461 10502	245	502 3003	35	506 4501	38	508 900B	57	513 2011	48	525 1502	44
423 0022	250	431 6110	237	461 11252	245	502 3501	35	506 4503	38	509 3001	41	513 2501	48	525 1503	44
423 0032	250	431 7510	237	461 11322	245	502 3502	35	506 4506	38	509 3003	41	513 3001	48	525 1506	44

Code Index

Code	Page	Code	Page	Code	Page	Code	Page	Code	Page	Code	Page	Code	Page	Code	Page
525 1506	55	541 2003	46	578 0031	70	596 0113	33	606 0190	211	615 0040	202	628 0301	226	720 0750	159
525 150B	44	541 200B	46	578 0041	70	597 0001	33	606 0200	211	615 0050	202	628 0401	226	720 0751	161
525 150B	59	541 200B	59	578 0051	70	597 0002	33	606 0210	211	615 0060	202	629 0301	226	720 0753	161
525 1751	44	541 2501	46	578 0061	70	597 0003	33	606 0220	210	615 0070	204	629 0401	226	720 075B	159
525 1753	44	541 2503	46	578 0751	32	597 0111	33	606 0230	209	615 0201	226	629 1401	227	720 075G	159
527 0502	47	542 0011	73	578 0801	31	597 0113	33	606 0240	209	615 0251	226	631 0502	229	720 1000	159
527 0503	47	542 0029	73	579 1001	31	598 0001	39	606 0250	210	615 0301	226	631 0652	229	720 1001	161
527 3001	49	544 0005	53	579 1480	73	598 000B	39	606 0260	209	615 0401	226	631 0762	229	720 1003	161
527 3751	49	544 000C	53	579 2160	73	598 000B	57	606 1180	210	615 0501	226	631 0902	229	720 100B	159
527 4501	49	544 0015	53	581 2802	32	598 0011	39	607 0050	220	616 0500	220	632 0000	229	720 100G	159
527 6001	49	544 001C	53	582 0501	72	598 001B	39	607 0070	220	617 0030	214	632 0501	229	720 150G	159
528 1501	32	545 1002	41	583 0501	72	598 001B	57	607 0080	220	617 0150	214	632 0502	229	722 0750	160
529 0001	31	546 1501	71	583 0511	31	598 0101	40	608 0010	201	617 0500	215	632 0651	229	722 075B	160
530 2401	28	547 1752	17	584 0001	72	599 0003	69	608 0020	201	617 9990	215	632 0652	229	722 075G	160
530 2451	28	547 1753	17	584 0501	72	601 0010	202	608 0030	201	618 0010	211	632 0761	229	722 1000	160
531 0258	74	550 1503	60	585 0752	72	601 0011	45	608 0040	201	618 0020	211	632 0762	229	722 100B	160
531 0388	74	550 2253	60	586 0502	70	601 0012	45	608 0050	201	618 0040	212	632 0901	229	722 100G	160
531 0508	74	550 3003	60	586 0752	70	601 0013	45	608 0060	201	618 0060	213	632 0902	229	724 075G	160
531 0658	74	551 3003	60	586 0882	70	601 0021	222	608 0070	201	618 0070	212	637 0000	216	725 100G	159
531 0758	74	552 7053	60	586 1002	70	601 0041	222	608 0080	201	618 0080	212	637 0020	215	726 100G	160
531 1008	74	553 1003	61	587 1002	71	601 0051	222	608 0090	200	621 0011	223	650 0000	221	727 050G	161
531 1508	74	555 1503	62	587 1212	71	601 0081	222	609 0010	206	621 0021	223	650 4000	221	727 0750	161
532 1001	46	556 1753	62	587 5052	71	601 0101	222	609 0050	205	621 0041	223	650 5000	221	727 075B	161
532 1003	46	557 1503	62	587 6062	71	601 0111	222	609 0060	205	621 0051	223	650 7000R	221	727 075G	161
532 1501	46	559 1503	61	587 7072	71	601 0171	222	609 0140	205	621 0081	223	650 7000W	221	727 100B	161
532 1503	46	560 1753	62	587 8082	71	601 0191	222	609 0150	205	621 0101	223	650 7000Y	221	727 100G	161
532 2001	46	560 3501	32	588 0760	71	602 0010	212	609 0210	206	621 0161	223	660 0003	203	727 125B	161
532 2003	46	561 2001	61	589 0502	71	602 0011	37	610 0010	214	621 0171	223	682 0000	228	727 150G	161
532 2501	46	561 2003	61	589 0752	71	602 0013	37	610 0120	213	621 0191	223	682 0501	228	728 0750	158
532 3001	46	561 2501	61	589 1002	71	602 0032	50	610 0400	213	623 0031	225	682 0502	228	728 0751	158
532 3003	46	561 2503	61	590 0062	73	602 0042	50	610 1240	213	623 0041	225	682 0651	228	728 0753	158
532 6001	46	563 0001	28	590 0082	73	603 0010	204	611 0011	223	623 0071	225	682 0652	228	728 075B	158
533 0752	52	563 4503	60	590 0102	73	603 0020	204	611 0021	223	623 0081	225	682 0761	228	728 075G	158
533 1002	52	564 0001	29	590 0122	73	604 0010	220	611 0041	223	623 0111	225	682 0762	228	729 1000	158
533 1003	52	564 1503	61	591 0032	70	604 2610	220	611 0051	223	624 0301	225	682 0901	228	729 1001	158
533 1502	52	566 0001	30	591 0042	70	604 4210	220	611 0081	223	625 0201	226	682 0902	228	729 1003	158
533 1503	52	566 0752	45	591 0052	70	605 0201	226	611 0101	223	625 0251	226	702 1202	102	729 100B	158
534 1501	52	568 0001	30	591 0062	70	605 0251	226	611 0161	223	625 0301	226	702 1502	102	729 100G	158
534 1503	52	570 0030	63	591 0072	70	605 0301	226	611 0171	223	625 0401	226	705 0003	109	730 100B	158
535 2001	52	570 0031	63	591 0082	70	605 0401	226	611 0191	223	625 0501	226	708 0600	19	730 100G	158
535 2003	52	570 0032	63	591 0102	70	606 0000	203	612 0010	203	625 1201	226	708 0700	19	731 0750	158
535 2501	52	570 0033	63	593 0032	73	606 0010	204	612 0011	224	625 1251	226	708 0800	19	731 075G	158
535 2503	52	570 0034	63	593 0052	73	606 0020	204	612 0020	203	625 1301	226	708 0900	19	731 1000	158
537 0758	74	570 0035	63	593 0062	73	606 0030	204	612 0021	224	625 1401	226	708 2700	19	731 100G	158
537 1008	74	570 0036	63	593 0082	73	606 0040	205	612 0031	224	625 1501	226	708 2800	19	739 0751	149
537 1258	74	570 0037	63	593 0102	73	606 0050	204	612 0041	224	625 2301	226	713 0300	19	739 075A	149
537 1501	17	570 0038	63	593 0122	73	606 0060	210	612 0051	224	625 2401	226	713 0400	19	739 075B	149
537 1503	17	570 0039	63	594 0062	71	606 0070	209	612 0061	224	626 0011	223	713 0410	19	739 075G	149
538 1801	52	571 1002	28	594 0082	71	606 0080	209	613 0021	225	626 0031	223	713 0500	19	750 0000	189
538 1803	52	571 4202	28	594 0102	71	606 0090	202	613 0031	225	626 0041	223	713 0510	19	755 000G	170
540 0010	20	574 3003	60	594 0122	71	606 0100	209	613 0041	225	626 0051	223	713 0600	19	755001G	170
540 0020	21	574 3503	60	594 0162	71	606 0110	209	613 0071	225	626 0081	223	713 2400	19	756 000G	170
541 1001	46	574 4003	60	595 0001	33	606 0120	209	613 0081	225	626 0111	223	713 2500	19	756 002G	170
541 1003	46	574 4503	60	595 0002	33	606 0130	204	613 0111	225	626 0131	223	713 4400	19	756 003G	170
541 1006	46	575 0453	21	595 0003	33	606 0140	205	614 0010	207	626 0171	223	713 4500	19	756 004G	170
541 1006	56	575 0503	63	596 0001	33	606 0150	204	614 0040	207	626 0511	223	715 5003	162	757 000G	171
541 1501	46	575 0603	21	596 0002	33	606 0160	204	614 0301	225	626 0811	223	715 5008	162	758 000G	171
541 1503	46	576 4501	51	596 0003	33	606 0170	204	615 0020	202	626 1111	223	719 1100	162	758 001G	171
541 2001	46	577 1001	31	596 0111	33	606 0180	211	615 0030	202	626 1131	223	720 050G	159	758 002G	171

Code Index

Code	Page	Code	Page	Code	Page	Code	Page	Code	Page	Code	Page	Code	Page	Code	Page
758 003G	171	806 921G	143	815 091G	146	857 024C	164	910 80752	244	C10 0652	241	H08 0402	240	R10 1002	243
771 0700	19	807 0501	143	815 167A	146	857 0285	164	910 81002	244	C10 0752	241	H08 0502	240	R10 1202	243
771 2700	19	807 050A	143	815 167B	146	857 028C	164	910 81502	244	C10 0802	241	H08 0602	240	R10 1402	243
800 1303	69	807 050B	143	815 167G	146	858 0245	164	911 00752	244	C10 0902	241	H08 0652	240	R10 1602	243
800 2403	69	807 050G	143	815 183A	146	858 024C	164	911 01002	244	C10 1001	242	H08 0702	240	R10 1802	243
800 2443	67	807 1501	143	815 183B	146	859 110R	53	911 01502	244	C10 1002	241	H08 0752	240	R10 2202	243
800 2443	127	807 150A	143	815 183G	146	859 110W	53	911 21002	244	C10 1202	241	H08 0802	240	R10 2402	243
801 0003	69	807 150B	143	819 0000	169	860 0240	162	950 60706	238	C10 1302	241	H08 0902	240	R10 2602	243
801 0193	68	807 150G	143	820 0010	169	860 0280	162	950 60806	238	C10 1402	241	H08 1002	240	R108 0252	242
801 0193	127	807 1801	144	820 0020	169	861 0240	162	950 60906	238	C10 1502	241	H08 1202	240	R108 0402	242
801 4003	68	807 180A	144	820 0030	169	861 0280	162	950 61006	238	C10 1602	241	H08 1502	240	R108 0802	242
801 4003	127	807 180B	144	820 0040	169	862 0240	162	950 61206	238	C10 1802	241	H10 0402	240	R108 1002	242
801 4013	68	807 180G	144	820 0070	169	862 0280	162	950 61406	238	C10 2002	241	H10 0502	240	R108 1602	242
801 4013	127	807 2401	144	820 0080	169	863 0240	163	950 61606	238	C10 2202	241	H10 0602	240	R108 1802	242
801 4023	68	807 240A	144	821 075G	159	863 0280	163	950 81006	238	C10 2402	241	H10 0652	240	R110 0502	242
801 4023	127	807 240B	144	821 100G	159	864 0240	163	950 81206	238	C10 2602	242	H10 0702	240	R110 0702	242
801 4033	68	807 240G	144	822 183A	148	864 0280	163	950 81406	238	C10 3002	242	H10 0752	240	R110 0802	242
801 4033	127	807 3001	144	822 183B	148	865 0240	163	950 81806	238	C106 0502	241	H10 0802	240	R110 1602	242
802 1003	68	807 300A	144	822 183G	148	865 0280	163	950 82206	238	C106 0752	241	H10 0902	240	SPO 0032	172
802 9003	68	807 300B	144	822 240A	148	891 1F13	64	950 82506	238	C108 0502	241	H10 1002	240	SPO 0280	17
803 1003	68	807 300G	144	822 240B	148	891 1F23	64	950 83006	238	C108 0752	241	H10 1202	240	T100652	247
803 9003	68	807 3501	143	822 240G	148	892 1F43	64	951 60706	238	C108 1002	241	H10 1302	240	T101002	247
805 040G	150	807 350A	143	822 300A	148	893 1F23	64	951 60806	238	C108 1502	241	H10 1502	240	T101202	247
806 0011	153	807 350B	143	822 300B	148	894 0V23	64	951 60906	238	C108 1802	241	H10 1602	240	T120802	247
806 040A	150	807 350G	143	822 300G	148	894 1A73	65	951 61006	238	C110 0502	241	H10 1802	240	T121002	247
806 040B	150	808 0202	149	823 100G	160	894 1F23	64	951 61206	238	C110 0752	241	H10 2002	240	T121202	247
806 1101	147	808 0203	149	823 2443	166	894 1F53	65	951 61406	238	C110 1002	241	H106 0602	240	T121402	247
806 1111	147	808 0213	149	824 125G	171	894 1F83	65	951 61606	238	C110 1202	241	H106 0802	240	T161252	247
806 1501	150	808 0752	149	824 2443	166	895 0F53	65	951 81006	238	C110 1302	241	H108 0502	240	T20	251
806 1801	141	808 165A	149	825 167A	147	896 1B83	65	951 81206	238	C110 1502	241	H108 0752	240	T201302	247
806 180A	141	808 165B	149	825 167B	147	896 1D53	66	951 81406	238	C110 1802	241	H108 1002	240	T25	251
806 180B	141	808 165G	149	825 167G	147	896 1D73	66	951 81806	238	C112 0752	241	H110 0752	240	T30	251
806 180G	141	808 265A	149	825 183A	147	896 1D73KA	66	951 82206	238	C112 1001	242	H110 1002	240	T40	251
806 183A	148	808 265B	149	825 183B	147	896 1S53	66	951 82506	238	C112 1002	241	H110 1502	240	T80652	247
806 183B	148	808 265G	149	825 183G	147	896 1S53KA	66	951 83006	238	C112 1302	241	H112 1002	240		
806 183G	148	808 365A	149	825 2443	166	897 1S53	66	999 0001	177	C112 1802	241	H112 1802	240		
806 2401	141	808 365B	149	826 1253	167	898 0S13	66	999 0021	177	C12 0301	242	H12 0752	240		
806 240A	141	808 365G	149	829 0033	167	900 60502	244	C06 0502	241	C12 0652	242	H12 1002	240		
806 240B	141	810 0003	168	829 0043	167	900 60752	244	C06 0602	241	C12 0702	242	H12 1302	240		
806 240G	141	811 0003	168	829 0053	172	900 61002	244	C06 0752	241	C12 0751	242	H12 1502	240		
806 245A	148	812 183A	148	829 0063	167	900 61302	244	C08 0301	242	C12 0752	242	H12 1802	240		
806 245B	148	812 183B	148	829 0073	167	900 61502	244	C08 0302	241	C12 0802	242	R08 0252	243		
806 245G	148	812 183G	148	829 0093	167	900 80602	244	C08 0501	242	C12 0902	242	R08 0302	243		
806 2701	141	812 240A	148	829 7603	172	900 80752	244	C08 0502	241	C12 1001	242	R08 0402	243		
806 270A	141	812 240B	148	829 8003	172	900 81002	244	C08 0602	241	C12 1002	242	R08 0502	243		
806 270B	141	812 240G	148	829 9603	172	900 81302	244	C08 0701	242	C12 1302	242	R08 0602	243		
806 270G	141	812 300A	148	830 2443	167	900 81502	244	C08 0751	242	C12 1502	242	R08 0702	243		
806 300A	148	812 300B	148	830 3001	74	901 00602	244	C08 0752	241	C12 1802	242	R08 0802	243		
806 300B	148	812 300G	148	832 0302	74	901 00752	244	C08 0801	242	C12 2002	242	R08 1002	243		
806 300G	148	813 2401	142	832 0457	74	901 01002	244	C08 0802	241	C12 2402	242	R08 1402	243		
806 3051	141	813 3001	142	833 0652	70	901 01302	244	C08 0902	241	CUTKEY	17	R08 1602	243		
806 305A	141	813 3401	142	833 0657	70	901 01502	244	C08 1001	242	D10 1002	247	R08 1802	243		
806 305B	141	813 4001	142	848 5003	162	901 20752	244	C08 1002	241	D12 1002	247	R08 2002	243		
806 305G	141	813 5001	142	848 5008	162	901 21002	244	C08 1502	241	H06 0402	240	R08 2202	243		
806 821A	143	815 073A	147	850 0245	164	901 21302	244	C08 1802	241	H06 0502	240	R08 2402	243		
806 821B	143	815 073B	147	850 024C	164	901 21502	244	C08 2002	241	H06 0602	240	R10 0302	243		
806 821G	143	815 073G	147	850 0285	164	901 22002	244	C10 0302	241	H06 0702	240	R10 0502	243		
806 921A	143	815 091A	146	850 028C	164	910 61002	244	C10 0502	241	H06 0802	240	R10 0702	243		
806 921B	143	815 091B	146	857 0245	164	910 61502	244	C10 0602	241	H06 0902	240	R10 0802	243		

1. INTERPRETATION

1.1 **Definitions.** In these Conditions, the following definitions apply:

Business Day	a day (other than a Saturday, Sunday or public holiday) when banks in London are open for business.
Conditions	the terms and conditions set out in this document as amended from time to time in accordance with clause 11.6.
Contract	the contract between the Supplier and the Customer for the sale and purchase of the Goods in accordance with these Conditions.
Customer	the person or firm who purchases the Goods from the Supplier.
Force Majeure Event	has the meaning given in clause 10.
Goods	the goods (or any part of them) set out in the Order.
Order	the Customer's order for the Goods, as set out in the Customer's written acceptance of the Supplier's quotation, or overleaf, as the case may be.
Specification	any specification for the Goods, including any related plans and drawings, that is agreed in writing by the Customer and the Supplier.
Supplier	Birkdale Sales Limited (registered in England and Wales with company number 05547795).

1.2 **Construction.** In these Conditions, the following rules apply:

- (a) A **person** includes a natural person, corporate or unincorporated body (whether or not having separate legal personality).
- (b) A reference to a party includes its personal representatives, successors or permitted assigns.
- (c) A reference to a statute or statutory provision is a reference to such statute or provision as amended or re-enacted. A reference to a statute or statutory provision includes any subordinate legislation made under that statute or statutory provision, as amended or re-enacted.
- (d) Any phrase introduced by the terms **including, include, in particular** or any similar expression shall be construed as illustrative and shall not limit the sense of the words preceding those terms.
- (e) A reference to **writing** or **written** includes faxes and e-mails.

2. BASIS OF CONTRACT

- 2.1 These Conditions apply to the Contract to the exclusion of any other terms that the Customer seeks to impose or incorporate, or which are implied by trade, custom, practice or course of dealing.
- 2.2 The Order constitutes an offer by the Customer to purchase the Goods in accordance with these Conditions. The Customer is responsible for ensuring that the terms of the Order and any applicable Specification are complete and accurate.
- 2.3 The Order shall only be deemed to be accepted when the Supplier issues a written acceptance of the Order or commences performance of the Contract by delivering the Goods at which point the Contract shall come into existence.
- 2.4 The Contract constitutes the entire agreement between the parties. The Customer acknowledges that it has not relied on any statement, promise, representation, assurance or warranty made or given by or on behalf of the Supplier which is not set out in the Contract.
- 2.5 Any samples, drawings, descriptive matter, or advertising produced by the Supplier and any descriptions or illustrations contained in the Supplier's catalogues or brochures are produced for the sole purpose of giving an approximate idea of the Goods described in them. They shall not form part of the Contract or have any contractual force.
- 2.6 A quotation for the Goods given by the Supplier shall not constitute an offer. A quotation shall only be valid for a period of 30 Business Days from its date of issue.

3. GOODS

- 3.1 The Goods are described in the Supplier's catalogue as modified by any applicable Specification.
- 3.2 To the extent that the Goods are to be manufactured in accordance with a Specification supplied by the Customer, the Customer shall indemnify the Supplier against all liabilities, costs, expenses, damages and losses (including any direct, indirect or consequential losses, loss of profit, loss of reputation and all interest, penalties and legal and other professional costs and expenses) suffered or incurred by the Supplier in connection with any claim made against the Supplier for actual or alleged infringement of a third party's intellectual property rights arising out of or in connection with the Supplier's use of the Specification. This clause 3.2 shall survive termination of the Contract.
- 3.3 The Supplier reserves the right to amend the specification of the Goods if required by any applicable statutory or regulatory requirements.

4. DELIVERY

- 4.1 The Supplier shall ensure that:
 - (a) each delivery of the Goods is accompanied by a delivery note which shows the date of the Order, all relevant Customer and Supplier reference numbers, the type and quantity of the Goods (including the code number of the Goods, where applicable), special storage instructions (if any) and, if the Order is being delivered by instalments, the outstanding balance of Goods remaining to be delivered; and
 - (b) if the Supplier requires the Customer to return any packaging materials to the Supplier, that fact is clearly stated on the delivery note. The Customer shall make any such packaging materials available for collection at such times as the Supplier shall reasonably request. Returns of packaging materials shall be at the Supplier's expense.
- 4.2 The Supplier shall deliver the Goods to the location set out in the Order or such other location as the parties may agree (**Delivery Location**) at any time after the Supplier notifies the Customer that the Goods are ready.
- 4.3 Delivery of the Goods shall be completed on the Goods' arrival at the Delivery Location.
- 4.4 Any dates quoted for delivery are approximate only, and the time of delivery is not of the essence. The Supplier shall not be liable for any delay in delivery of the Goods that is caused by a Force Majeure Event or the Customer's failure to provide the Supplier with adequate delivery instructions or any other instructions that are relevant to the supply of the Goods.
- 4.5 If the Supplier fails to deliver the Goods, its liability shall be limited to the costs and expenses incurred by the Customer in obtaining replacement goods of similar description and quality in the cheapest market available, less the price of the Goods. The Supplier shall have no liability for any failure to deliver the Goods to the extent that such failure is caused by a Force Majeure Event or the Customer's failure to provide the Supplier with adequate delivery instructions or any other instructions that are relevant to the supply of the Goods.
- 4.6 If the Customer fails to take delivery of the Goods within three Business Days of the Supplier notifying the Customer that the Goods are ready, then, except where such failure or delay is caused by a Force Majeure Event or the Supplier's failure to comply with its obligations under the Contract:
 - (a) delivery of the Goods shall be deemed to have been completed at 9.00 am on the third Business Day after the day on which the Supplier notified the Customer that

the Goods were ready; and

- (b) the Supplier shall store the Goods until delivery takes place, and charge the Customer for all related costs and expenses (including insurance).
- 4.7 If 10 Business Days after the day on which the Supplier notified the Customer that the Goods were ready for delivery the Customer has not accepted delivery of them, the Supplier may resell or otherwise dispose of part or all of the Goods and, after deducting reasonable storage and selling costs, account to the Customer for any excess over the price of the Goods or charge the Customer for any shortfall below the price of the Goods.
 - 4.8 The Customer shall not be entitled to reject the Goods if the Supplier delivers up to and including 5% more or less than the quantity of Goods ordered.
 - 4.9 The Supplier may deliver the Goods by instalments, which shall be invoiced and paid for separately. Each instalment shall constitute a separate Contract. Any delay in delivery or defect in an instalment shall not entitle the Customer to cancel any other instalment.
- ## 5. QUALITY
- 5.1 The Supplier warrants that on delivery the Goods shall:
 - (a) conform in all material respects with their description and any applicable Specification; and
 - (b) be free from material defects in design, material and workmanship.
 - 5.2 Subject to clause 5.3, if:
 - (a) the Customer gives notice in writing to the Supplier within a reasonable time of discovery that some or all of the Goods do not comply with the warranty set out in clause 5.1;
 - (b) the Supplier is given a reasonable opportunity of examining such Goods;
 - (c) the Customer (if asked to do so by the Supplier) returns such Goods to the Supplier's place of business at the Customer's cost;
 - (d) the Supplier in its reasonable opinion having examined such Goods finds that such Goods do not comply with the warranty set out in clause 5.1, the Supplier shall, at its option, repair or replace the defective Goods, or refund the price of the defective Goods in full.
 - 5.3 The Supplier shall not be liable for Goods' failure to comply with the warranty set out in clause 5.1 in any of the following events:
 - (a) the Customer makes any further use of such Goods after giving notice in accordance with clause 5.2;
 - (b) the defect arises because the Customer failed to follow the Supplier's oral or written instructions as to the storage, commissioning, installation, use and maintenance of the Goods or (if there are none) good trade practice regarding the same;
 - (c) the defect arises as a result of the Supplier following any drawing, design or Specification supplied by the Customer;
 - (d) the Customer alters or repairs such Goods without the written consent of the Supplier;
 - (e) the defect arises as a result of fair wear and tear, wilful damage, negligence, or abnormal storage or working conditions; or
 - (f) the Goods differ from their description as a result of changes made to ensure they comply with applicable statutory or regulatory requirements.
 - 5.4 Except as provided in this clause 5, the Supplier shall have no liability to the Customer in respect of the Goods' failure to comply with the warranty set out in clause 5.1.
 - 5.5 The terms implied by sections 13 to 15 of the Sale of Goods Act 1979 are, to the fullest extent permitted by law, excluded from the Contract.
 - 5.6 These Conditions shall apply to any repaired or replacement Goods supplied by the Supplier.
- ## 6. TITLE and RISK
- 6.1 The risk in the Goods shall pass to the Customer on completion of delivery.
 - 6.2 Title to the Goods shall not pass to the Customer until the earlier of:
 - (a) the Supplier receives payment in full (in cash or cleared funds) for the Goods and any other goods that the Supplier has supplied to the Customer in respect of which payment has become due, in which case title to the Goods shall pass at the time of payment of all such sums; and
 - (b) the Customer resells the Goods, in which case title to the Goods shall pass to the Customer at the time specified in clause 6.4.
 - 6.3 Until title to the Goods has passed to the Customer, the Customer shall:
 - (a) store the Goods separately from all other goods held by the Customer so that they remain readily identifiable as the Supplier's property;
 - (b) not remove, deface or obscure any identifying mark or packaging on or relating to the Goods;
 - (c) maintain the Goods in satisfactory condition and keep them insured against all risks for their full price from the date of delivery;
 - (d) notify the Supplier immediately if it becomes subject to any of the events listed in clause 8.2; and
 - (e) give the Supplier such information relating to the Goods as the Supplier may require from time to time.
 - 6.4 Subject to clause 6.4, the Customer may resell or use the Goods in the ordinary course of its business (but not otherwise) before the Supplier receives payment for the Goods. However, if the Customer resells the Goods before that time:
 - (a) it does so as principal and not as the Supplier's agent; and
 - (b) title to the Goods shall pass from the Supplier to the Customer immediately before the time at which resale by the Customer occurs.
 - 6.5 If before title to the Goods passes to the Customer the Customer becomes subject to any of the events listed in clause 8.2, then, without limiting any other right or remedy the Supplier may have:
 - (a) the Customer's right to resell the Goods or use them in the ordinary course of its business ceases immediately; and
 - (b) the Supplier may at any time:
 - (i) require the Customer to deliver up all Goods in its possession which have not been resold, or irrevocably incorporated into another product; and
 - (ii) if the Customer fails to do so promptly, enter any premises of the Customer or of any third party where the Goods are stored in order to recover them.

7. PRICE and PAYMENT

- 7.1 The price of the Goods shall be the price set out in the Order, or, if no price is quoted, the price set out in the Supplier's published price list in force as at the date of delivery.
- 7.2 The Supplier may, by giving notice to the Customer at any time before delivery, increase the price of the Goods to reflect any increase in the cost of the Goods that is due to:
- (a) any factor beyond the Supplier's control (including foreign exchange fluctuations, increases in taxes and duties, and increases in labour, materials and other manufacturing costs);
 - (b) any request by the Customer to change the delivery date(s), quantities or types of Goods ordered, or the Specification; or
 - (c) any delay caused by any instructions of the Customer or failure of the Customer to give the Supplier adequate or accurate information or instructions.
- 7.3 The price of the Goods is exclusive of the costs and charges of packaging, insurance and transport of the Goods, which shall be invoiced to the Customer.
- 7.4 The price of the Goods is exclusive of amounts in respect of value added tax (VAT). The Customer shall, on receipt of a valid VAT invoice from the Supplier, pay to the Supplier such additional amounts in respect of VAT as are chargeable on the supply of the Goods.
- 7.5 Unless otherwise agreed in writing by the Supplier (in which case clause 7.6 shall apply), payment for the Goods must be made in advance of delivery to the bank account nominated in writing by the Supplier.
- 7.6 Where the Supplier agrees to provide the Customer with extended payment terms, it shall do in writing and the Customer shall pay the invoice in full and in cleared funds by the end of the month following the date of the invoice. Payment shall be made to the bank account nominated in writing by the Supplier. Time of payment is of the essence.
- 7.7 If the Customer fails to make any payment due to the Supplier under the Contract by the due date for payment, then the Customer shall pay interest on the overdue amount at the rate of 4% per annum above Barclay Bank plc's base rate from time to time. Such interest shall accrue on a daily basis from the due date until actual payment of the overdue amount, whether before or after judgment. The Customer shall pay the interest together with the overdue amount.
- 7.8 The Customer shall pay all amounts due under the Contract in full without any set-off, counterclaim, deduction or withholding (except for any deduction or withholding required by law). The Supplier may at any time, without limiting any other rights or remedies it may have, set off any amount owing to it by the Customer against any amount payable by the Supplier to the Customer.

8. TERMINATION and SUSPENSION

- 8.1 If the Customer becomes subject to any of the events listed in clause 8.2, the Supplier may terminate the Contract with immediate effect by giving written notice to the Customer.
- 8.2 For the purposes of clause 8.1, the relevant events are:
- (a) the Customer suspends, or threatens to suspend, payment of its debts, or is unable to pay its debts as they fall due or admits inability to pay its debts, or (being a company or limited liability partnership) is deemed unable to pay its debts within the meaning of section 123 of the Insolvency Act 1986, or (being an individual) is deemed either unable to pay its debts or as having no reasonable prospect of so doing, in either case, within the meaning of section 268 of the Insolvency Act 1986, or (being a partnership) has any partner to whom any of the foregoing apply;
 - (b) the Customer commences negotiations with all or any class of its creditors with a view to rescheduling any of its debts, or makes a proposal for or enters into any compromise or arrangement with its creditors other than (where the Customer is a company) where these events take place for the sole purpose of a scheme for a solvent amalgamation of the Customer with one or more other companies or the solvent reconstruction of the Customer;
 - (c) (being a company) a petition is filed, a notice is given, a resolution is passed, or an order is made, for or in connection with the winding up of the Customer, other than for the sole purpose of a scheme for a solvent amalgamation of the Customer with one or more other companies or the solvent reconstruction of the Customer;
 - (d) (being a company) an application is made to court, or an order is made, for the appointment of an administrator or if a notice of intention to appoint an administrator is given or if an administrator is appointed over the Customer;
 - (e) (being a company) the holder of a qualifying floating charge over the Customer's assets has become entitled to appoint or has appointed an administrative receiver;
 - (f) a person becomes entitled to appoint a receiver over the Customer's assets or a receiver is appointed over the Customer's assets;
 - (g) (being an individual) the Customer is the subject of a bankruptcy petition or order;
 - (h) a creditor or encumbrancer of the Customer attaches or takes possession of, or a distress, execution, sequestration or other such process is levied or enforced on or sued against, the whole or any part of its assets and such attachment or process is not discharged within 14 days;
 - (i) any event occurs, or proceeding is taken, with respect to the Customer in any jurisdiction to which it is subject that has an effect equivalent or similar to any of the events mentioned in clause 8.2(a) to clause 8.2(f) (inclusive);
 - (j) the Customer suspends, threatens to suspend, ceases or threatens to cease to carry on all or a substantial part of its business;
 - (k) the Customer's financial position deteriorates to such an extent that in the Supplier's opinion the Customer's capability to adequately fulfil its obligations under the Contract has been placed in jeopardy; and
 - (l) (being an individual) the Customer dies or, by reason of illness or incapacity (whether mental or physical), is incapable of managing his or her own affairs or becomes a patient under any mental health legislation.
- 8.3 Without limiting its other rights or remedies, the Supplier may suspend provision of the Goods under the Contract or any other contract between the Customer and the Supplier if the Customer becomes subject to any of the events listed in clause 8.2(a) to clause 8.2(l), or the Supplier reasonably believes that the Customer is about to become subject to any of them, or if the Customer fails to pay any amount due under this Contract on the due date for payment.
- 8.4 On termination of the Contract for any reason the Customer shall immediately pay to the Supplier all of the Supplier's outstanding unpaid invoices and interest.

- 8.5 Termination of the Contract, however arising, shall not affect any of the parties' rights, remedies, obligations and liabilities that have accrued as at termination.
- 8.6 Clauses which expressly or by implication survive termination of the Contract shall continue in full force and effect.

9. LIMITATION OF LIABILITY

- 9.1 Nothing in these Conditions shall limit or exclude the Supplier's liability for:
- (a) death or personal injury caused by its negligence, or the negligence of its employees, agents or subcontractors (as applicable);
 - (b) fraud or fraudulent misrepresentation;
 - (c) breach of the terms implied by section 12 of the Sale of Goods Act 1979; or
 - (d) defective products under the Consumer Protection Act 1987.
- 9.2 Subject to clause 9.1:
- (a) the Supplier shall under no circumstances whatever be liable to the Customer, whether in contract, tort (including negligence), breach of statutory duty, or otherwise, for any loss of profit, or any indirect or consequential loss arising under or in connection with the Contract; and
 - (b) the Supplier's total liability to the Customer in respect of all other losses arising under or in connection with the Contract, whether in contract, tort (including negligence), breach of statutory duty, or otherwise, shall in no circumstances exceed the price of the Goods.

10. FORCE MAJEURE

Neither party shall be liable for any failure or delay in performing its obligations under the Contract to the extent that such failure or delay is caused by a Force Majeure Event. A Force Majeure Event means any event beyond a party's reasonable control, which by its nature could not have been foreseen, or, if it could have been foreseen, was unavoidable, including strikes, lock-outs or other industrial disputes (whether involving its own workforce or a third party's), failure of energy sources or transport network, acts of God, war, terrorism, riot, civil commotion, interference by civil or military authorities, national or international calamity, armed conflict, malicious damage, breakdown of plant or machinery, nuclear, chemical or biological contamination, sonic boom, explosions, collapse of building structures, fires, floods, storms, earthquakes, loss at sea, epidemics or similar events, natural disasters or extreme adverse weather conditions, or default of suppliers or subcontractors.

11. GENERAL

11.1 Assignment and other dealings.

- (a) The Supplier may at any time assign, transfer, mortgage, charge, subcontract or deal in any other manner with all or any of its rights or obligations under the Contract.
- (b) The Customer may not assign, transfer, mortgage, charge, subcontract, declare a trust over or deal in any other manner with any or all of its rights or obligations under the Contract without the prior written consent of the Supplier.

11.2 Notices.

- (a) Any notice or other communication given to a party under or in connection with the Contract shall be in writing, addressed to that party at its registered office (if it is a company) or its principal place of business (in any other case) or such other address as that party may have specified to the other party in writing in accordance with this clause, and shall be delivered personally, sent by pre-paid first class post or other next working day delivery service, commercial courier, fax or e-mail.
- (b) A notice or other communication shall be deemed to have been received: if delivered personally, when left at the address referred to in clause 11.2(a); if sent by pre-paid first class post or other next working day delivery service, at 9.00 am on the second Business Day after posting; if delivered by commercial courier, on the date and at the time that the courier's delivery receipt is signed; or, if sent by fax or e-mail, one Business Day after transmission.
- (c) The provisions of this clause shall not apply to the service of any proceedings or other documents in any legal action.

11.3 Severance.

- (a) If any provision or part-provision of the Contract is or becomes invalid, illegal or unenforceable, it shall be deemed modified to the minimum extent necessary to make it valid, legal and enforceable. If such modification is not possible, the relevant provision or part-provision shall be deemed deleted. Any modification to or deletion of a provision or part-provision under this clause shall not affect the validity and enforceability of the rest of the Contract.
- (b) If any provision or part-provision of this Contract is invalid, illegal or unenforceable, the parties shall negotiate in good faith to amend such provision so that, as amended, it is legal, valid and enforceable, and, to the greatest extent possible, achieves the intended commercial result of the original provision.

11.4 Waiver.

A waiver of any right or remedy under the Contract or law is only effective if given in writing and shall not be deemed a waiver of any subsequent breach or default. No failure or delay by a party to exercise any right or remedy provided under the Contract or by law shall constitute a waiver of that or any other right or remedy, nor shall it prevent or restrict the further exercise of that or any other right or remedy. No single or partial exercise of such right or remedy shall prevent or restrict the further exercise of that or any other right or remedy.

11.5 Third party rights.

A person who is not a party to the Contract shall not have any rights to enforce its terms.

11.6 Variation.

Except as set out in these Conditions, no variation of the Contract, including the introduction of any additional terms and conditions, shall be effective unless it is in writing and signed by the Supplier.

11.7 Governing law.

The Contract, and any dispute or claim arising out of or in connection with it or its subject matter or formation (including non-contractual disputes or claims), shall be governed by, and construed in accordance with the law of England and Wales.

11.8 Jurisdiction.

Each party irrevocably agrees that the courts of England and Wales shall have exclusive jurisdiction to settle any dispute or claim arising out of or in connection with this Contract or its subject matter or formation (including non-contractual disputes or claims).



BIRKDALE

Granville House,
The Heights Business Park,
Ibstone Road, Stokenchurch,
Buckinghamshire, HP14 3BG

Tel: **0345 450 9000**

Fax: **0345 450 9085**

Email: mail@birkdalsales.com

Web: www.birkdalsales.com

GATEMATE®
BY BIRKDALE

FENCEMATE®
BY BIRKDALE

SITEMATE®
BY BIRKDALE