



ONYX THERMOSTATIC SHOWER



DOMESTIC



0.1 - 0.2 BAR



0.5 - 5.0 BAR

PRODUCT INFORMATION

GEC7001

Onyx thermostatic shower complete with telescopic riser, slim 230mm overhead soaker and 3 function handset

SPECIFICATIONS

Min operating pressure: 1 Bar
 Max Inlet Pressure static: 5 Bar
 Min Inlet Pressure dynamic: 0.4 Bar
 Max Inlet Temperature 85°C
 Suitable for use with unvented supplies, combi boilers, gravity and mains pressure systems
 Fully adjustable riser with slim 230mm overhead soaker and 3 function handset
 hot and cold supplies
 Temperature stability of +/-2°C
 Fast fix brackets
 WRAS and TMV2 approved

MATERIAL

Brass

COLOUR/FINISH

Chrome

APPROVALS

This product should be fitted in accordance with relevant *Water Byelaw Regulations*

FIXING

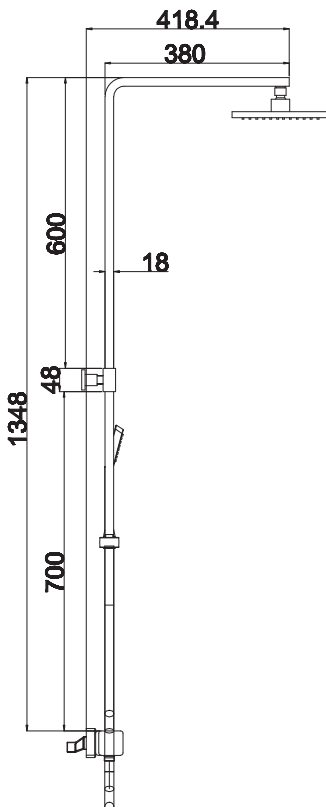
Wall mounted using back nuts provided (*do not overtighten*)

PRODUCT DIMENSIONS

Please refer to technical line drawing

ADDITIONAL INFORMATION

Suitable for the following plumbing systems:
 Gravity fed, pumped, unvented or combi systems.
 For a full range of brassware products please refer to www.sonasbathrooms.com



WARRANTY

- **5 year warranty** on showers applies to chrome finish and main body of products. All surfaces must be cleaned with warm soapy water and dried with soft clothes only. The use of abrasive cleaners or materials will render *warranty invalid*. Flexible tail connections, hoses and handsets are covered by a *1 year guarantee*.
- **Do not over tighten** flexible tail connections as this may result in later failure of the fitting.
- To enable each supply to be individually isolated product should be fitted with individual isolating valves, claims will be dealt with on that basis.
- Suitable access should be provided for in order for products or parts to be replaced under warranty. In the event that *no access* is provided, labour cost claims *cannot* be upheld.

