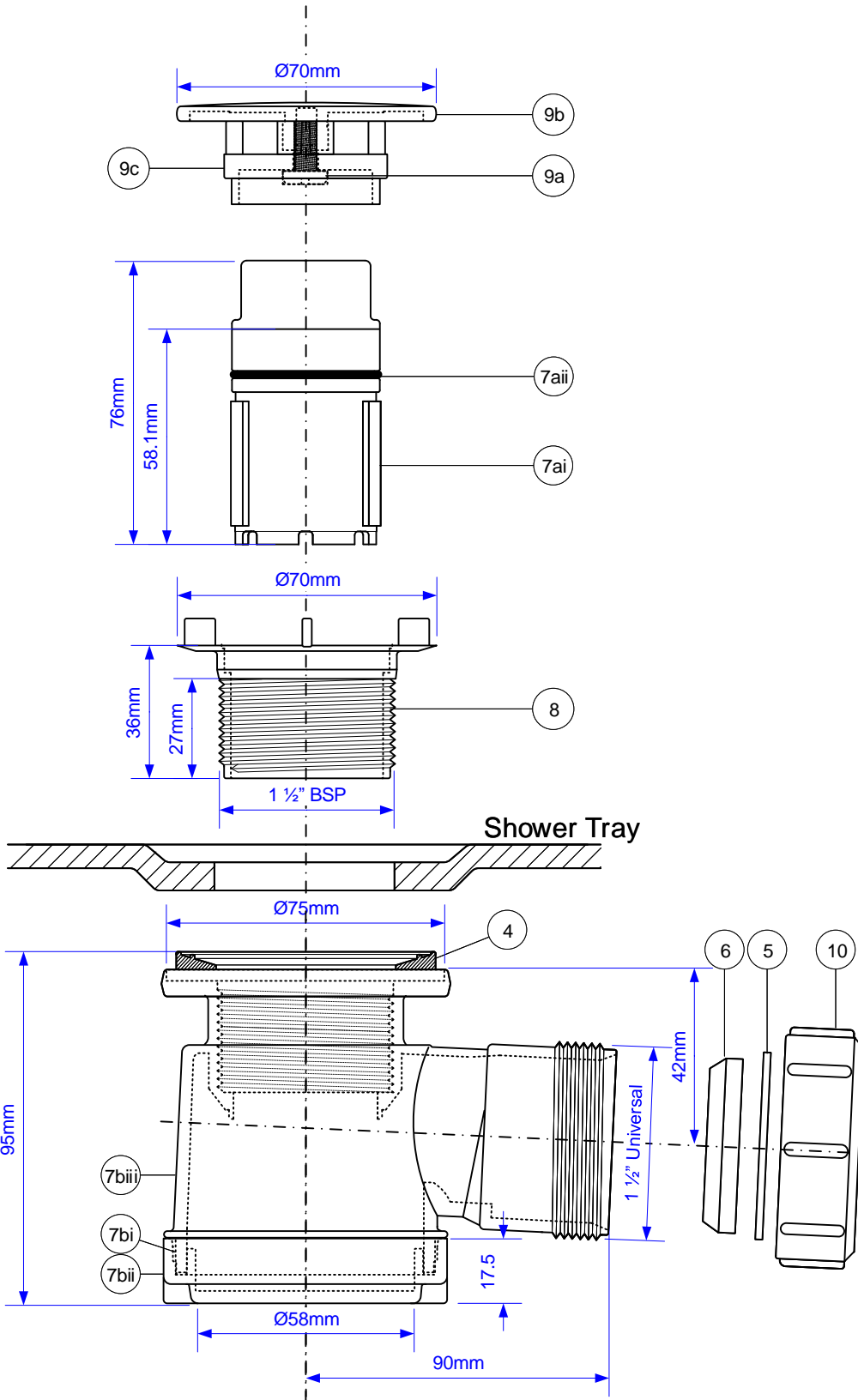


Code:

STW1-M



Water Seal: 19mm

© McALPINE
13/12/2009

Drawing verified
correct as of:

01/10/2019
RM

DRAWN BY

RM

REVISED

07/07/2004, 12/01/2015
25/09/2018, 01/10/2019

FILENAME

STW1-M.VSD

DATE

01/10/2019

SCALE

1: 1.75