



Technical Data

Weatherproof 13 Amp Socket Outlets

Brief product description:

IP rated accessories designed to protect against ingress from water jets and dust, with durable seals that maintain integrity and a robust polycarbonate housing for high impact resistance which will not crack or fade, ensuring longevity of life.

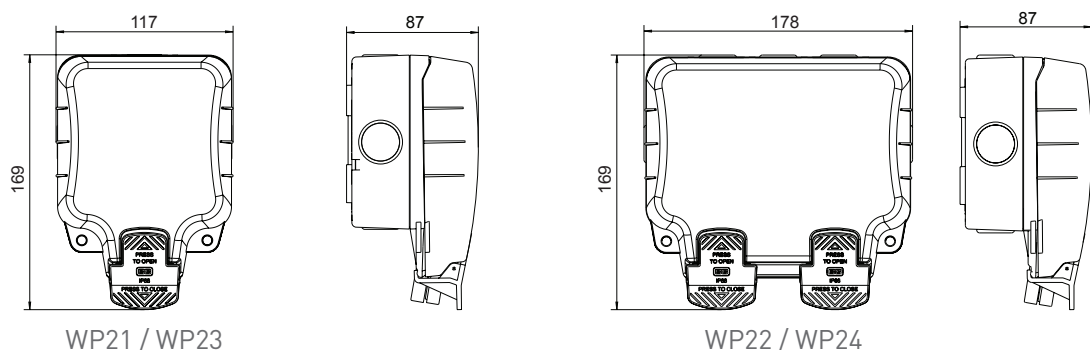
Features:

- IP66 rated when in use
- Cover will stay open to allow for easy access to sockets
- Switched sockets with LED indicator
- Fast fix - no separate screws, no screw covers, 150° rotation
- Patented cable entry - prevents accidental opening of cover by pulling of connected cable
- Large open/closer paddles for easier operation, flush fit to prevent accidental damage
- Multiple gland entry positions: single sockets have 5 versatile entry options and double sockets have 8 versatile entry options, with M25 capability with an easy push out blank plug design. 1 drill out entry 20/25mm in rear face

Product Images



Line Diagrams





Weatherproof 13 Amp Socket Outlets

Technical Specifications

Standard(s)	BS 1363-2:2016+A1:2018	
Rating	13 Amp 250V AC	
Switch Type	Single pole	
Contact Gap	3.0mm minimum	
Terminal Capacity	3 x 2.5mm ² 3 x 4mm ² 2 x 6.0mm ²	
IP Rating	IP66	
RoHS Directive	Yes	
WEEE Directive	Yes	
Number of cable entries		
WP21, WP23	5 x 20mm. 1 in each of 3 sides and 2 in the remaining side 1 drill out entry 20/25mm in rear face	
WP22, WP24	8 x 20mm. 1 in each of the 2 sides and 3 in each of the top and bottom faces. 1 drill out entry 20/25mm in rear face	

Packaging Information

Cat No.	Description	Packaging Type			Pack Quantity			Barcode		
		Product	Inner Box	Outer Box	Each	Inner Box	Outer Box	Individual	Inner Box	Outer Box
WP21	1G 13A, Sw Skt	Printed Box	/	Carton	1	/	10	5050765022170	/	5050765022279
WP22	2G 13A, Sw Skt	Printed Box	/	Carton	1	/	10	5050765022200	/	5050765022309
WP23	1G 13A UnSw Skt	Printed Box	/	Carton	1	/	10	5050765022187	/	5050765022286
WP24	2G 13A UnSw Skt	Printed Box	/	Carton	1	/	10	5050765022194	/	5050765022293

Weights & Dimensions

Cat No.	Description	Dimensions (H x W x D) cm			Weight (kg)			CBM (m ³)
		Unpacked Product	Packed Product	Outer Box	Unpacked Product	Packed Product	Outer Box	Outer Box
WP21	1G 13A, Sw Skt	16.9 x 11.7 x 8.7	19.7 x 12.2 x 9.7	13.6 x 38.3 x 49.8	0.38	0.46	4.99	0.02594
WP22	2G 13A, Sw Skt	16.9 x 17.8 x 8.7	19.7 x 18.2 x 9.7	19.6 x 38.3 x 49.8	0.58	0.68	7.30	0.03738
WP23	1G 13A UnSw Skt	16.9 x 11.7 x 8.7	19.7 x 12.2 x 9.7	13.6 x 38.3 x 49.8	0.36	0.43	4.74	0.02594
WP24	2G 13A UnSw Skt	16.9 x 17.8 x 8.7	19.7 x 18.2 x 9.7	19.6 x 38.3 x 49.8	0.57	0.67	7.12	0.03738