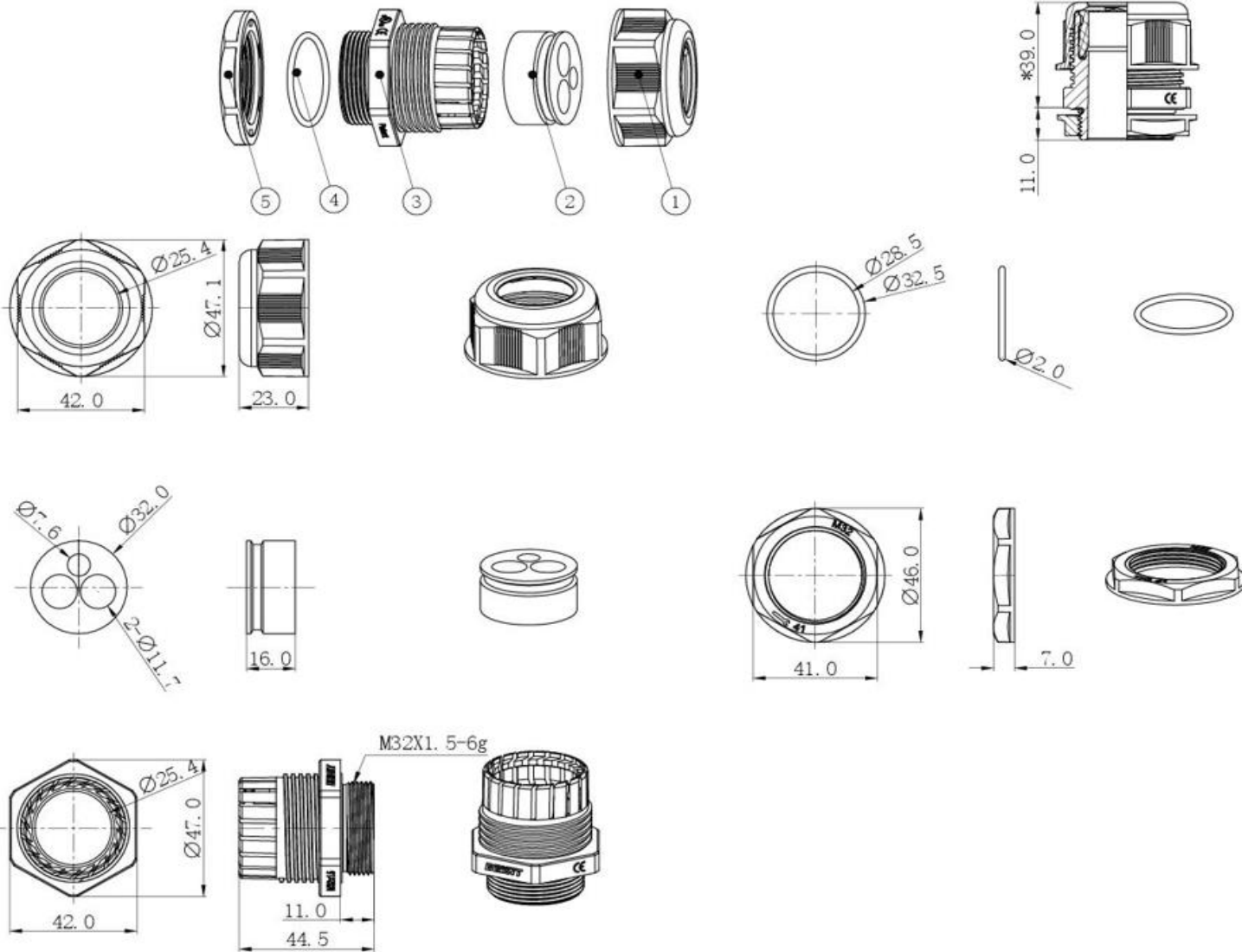


		TAIL GLAND (nylon)	
PART NUMBER	G32T		
GTIN-13	5060523523481		
PROTECTION DEGREE (IP)	IP68		
RECOMMENDED TIGHTENING TORQUE (Nm)	For body: 5-7Nm : For sealing nut: 7-8Nm		
RECOMMENDED CUTOUT	32.3mm		
PACK QUANTITY	1PC		
DESCRIPTION	32mm tail gland for 25mm² line, neutral and 16mm² earth		
ORIGIN OF MANUFACTURE	CHINA		



DIMENSIONS



Components	Description / Material
1	Sealing nut (PA)
2	Seal (EPDM)
3	Body (PA)
4	O ring (EPDM)
5	Lock nut (PA)

