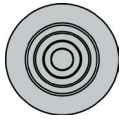
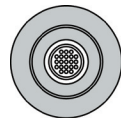


## Cyclone Fans



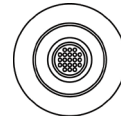
**Cyclone Chrome Non-Illuminated**  
Art no.: 33400



**Cyclone Chrome Illuminated**  
Cool White Art no.: 32700  
Warm White Art no.: 33700



**Cyclone White Non-Illuminated**  
Art no.: 33300



**Cyclone White Illuminated**  
Cool White Art no.: 32600  
Warm White Art no.: 33800



All installations must comply with guidelines which are based on a zonal concept Fig.1. This concept must be followed to ensure the safe installation. These regulations apply to domestic installations only. Installations must be made in accordance with the current IEE wiring regulations and relevant building regulations.

Thank you for purchasing this HiB product. **We recommend that all electrical bathroom products should only be fitted by a suitably qualified, Part P registered electrician.**

**Suitable for installation in zones: 2 & outside zones**

## Components

- 1x Fascia
- 1x LED Driver - (for illuminated products only)
- 1x High powered Inline Fan
- 1x 3 metre flexible ducting
- 1x Brown external fixed grille
- 4x Galvanized steel hose clamps
- 1x Screw and dowels pack
- 1x Plastic Screwdriver
- 1x Fitting instructions



**Electrical safety information** - Ensure mains power supply is switched off before starting installation. Before drilling, ensure there are no hidden cables or pipes in the wall.

## Mounting Fascia

1. The ventilation should be ducted through the roof space, ducting to an external soffit under the eaves or grille in the slope of your roof. **Ducting can only run between joists, not across them.**
2. Mark the position of the fascia with a pencil in a suitable position on the ceiling, making sure that it is between joists.
3. Drill a 9mm hole through the ceiling along the edge of the pencil line. Now cut out the hole with a pad saw.
4. Hold the fascia against the ceiling and mark the position of the fixing holes, fix the unit in place using suitable fixings - (not supplied)
5. Attach the flexible ducting with the metal hose clamps. **Ensure the ducting has a smooth flow towards the motor body.** Follow a similar procedure for the outside wall grille. Extra ducting may be used to extend the distance to the external grille but the performance will be reduced.

## Mounting Fan Unit

Install the Cyclone Inline fan within the loft or ceiling space, ensuring the correct direction of air flow using the arrows on the fan. **DO NOT COVER** the motor or LED driver with loft insulation. The fan is only suitable for **horizontal mounting** on a wall or floor. See fig A and fig B. Follow the visual aids below to mount the Fan unit.

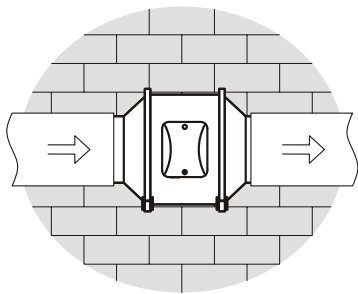


fig. A horizontal on a wall

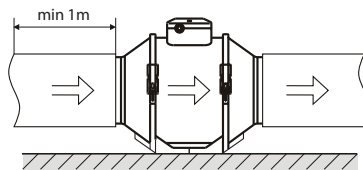
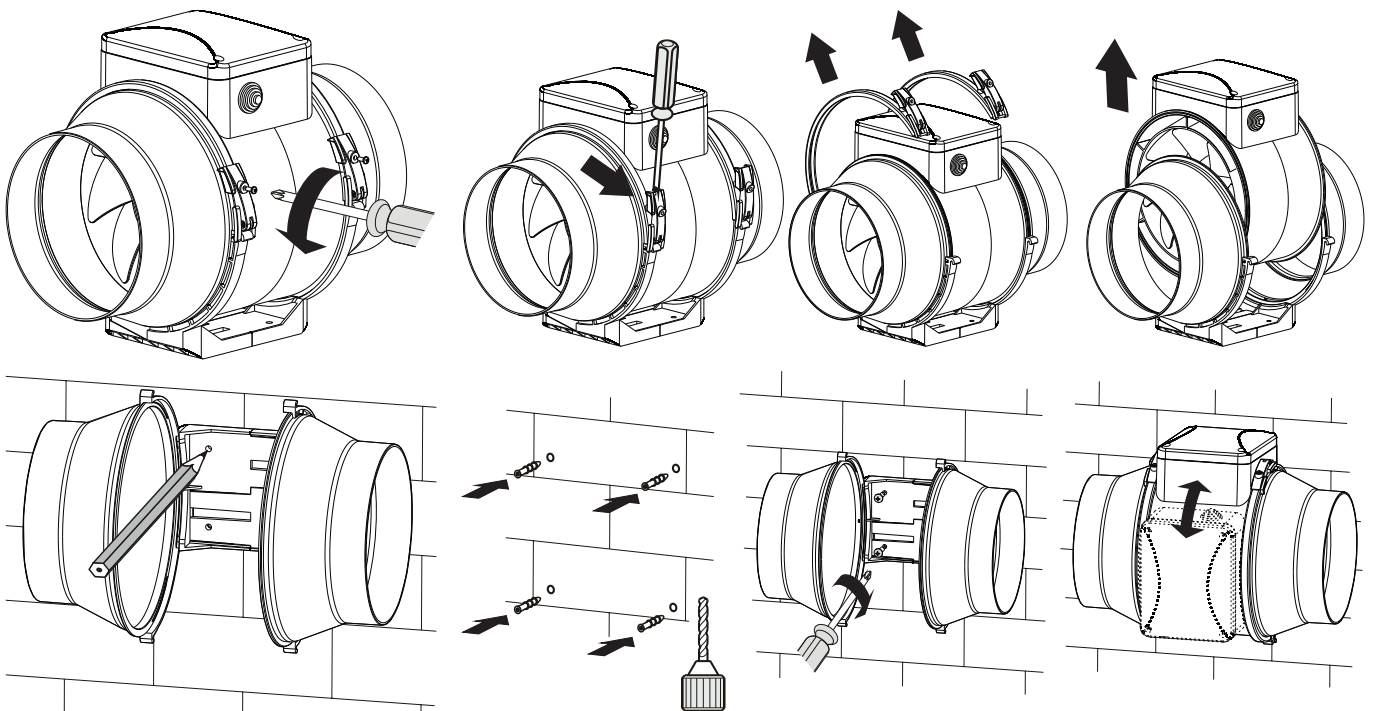


fig. B horizontal on a floor



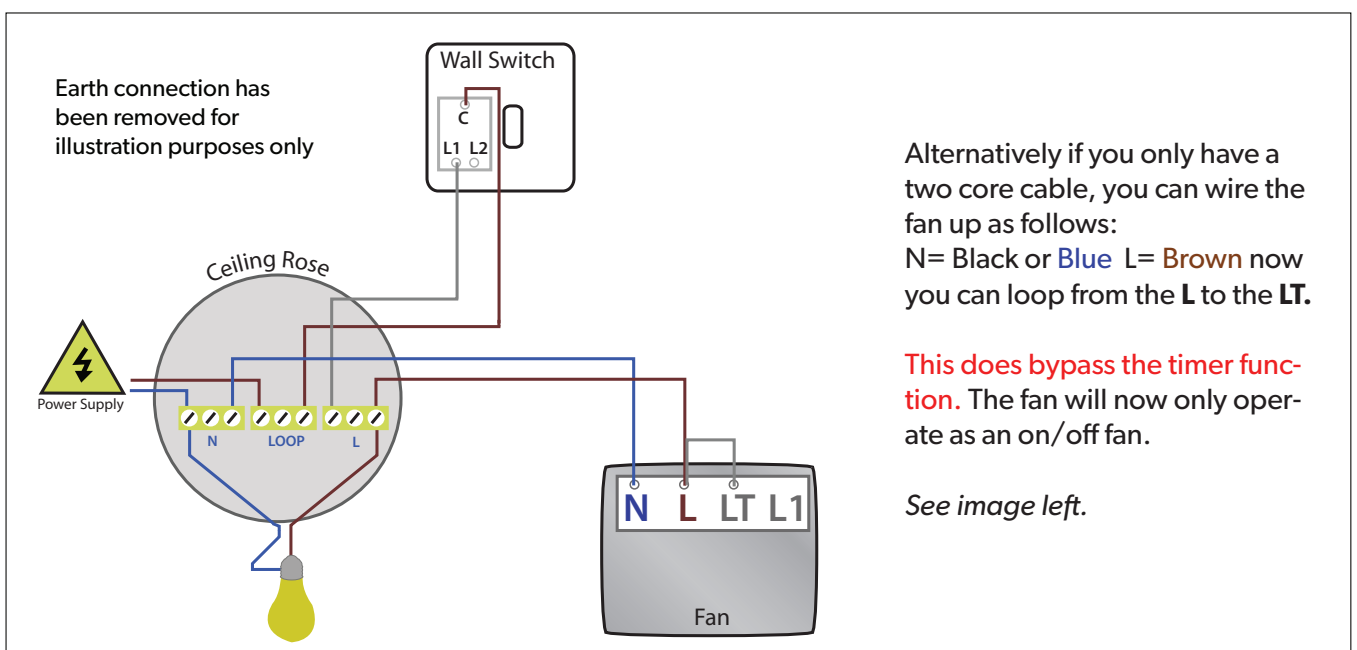
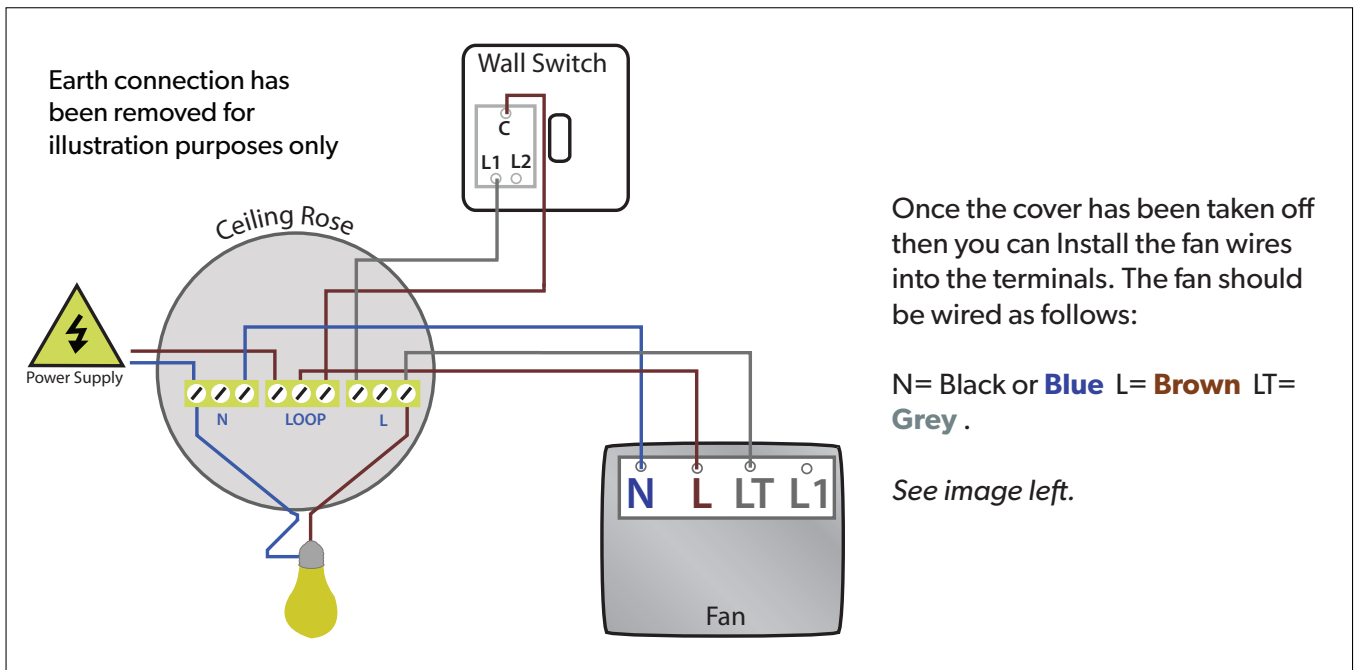
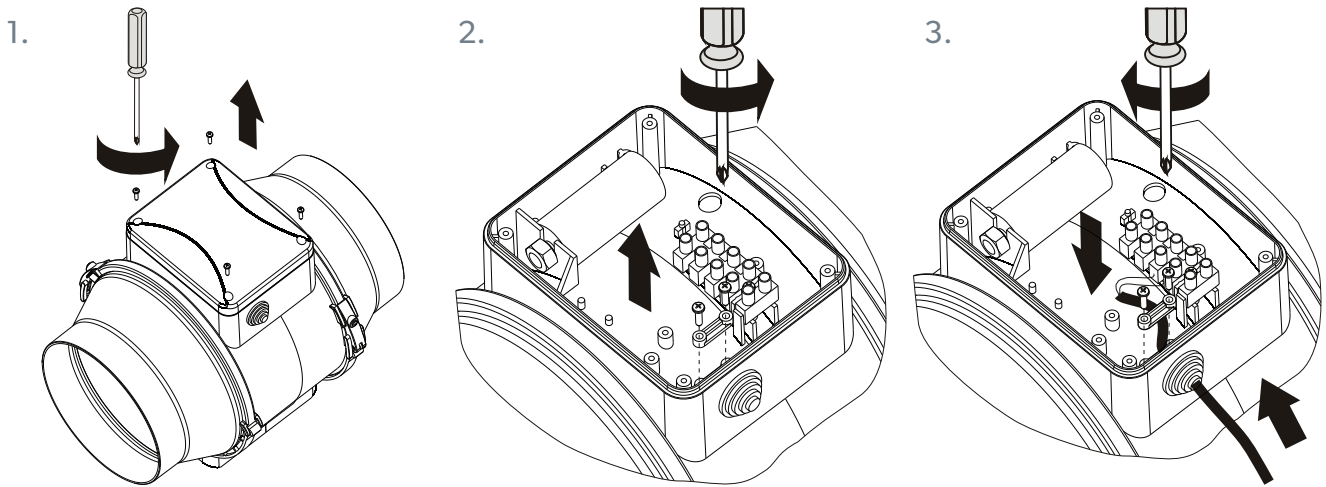
Do not mount duct or motor vertically



**Do not run the ducting over the joists, this will cause a build of condensation and reduce the extraction rate. Ensure the ducting is run between joists to create smooth airflow.**

## Electrical Connection

Ensure the mains power supply to which the fan is being connected to is turned off. This product is designed to be connected to an on/off switch outside the bathroom, or to a ceiling mounted pull cord switch. Please follow the visual aids below for wiring the fan.

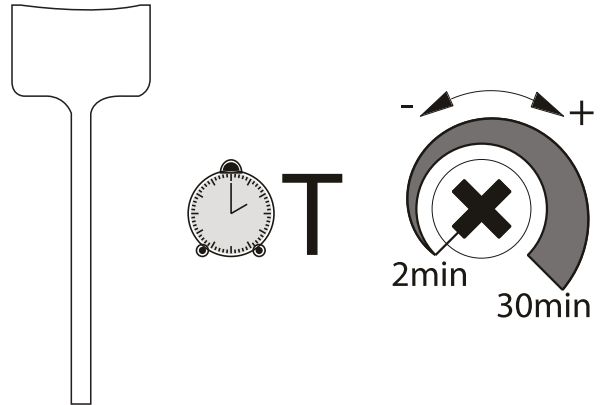


## Timer System

**The timer circuit is under mains Voltage. Ensure mains power supply is switched off before making any adjustments.**

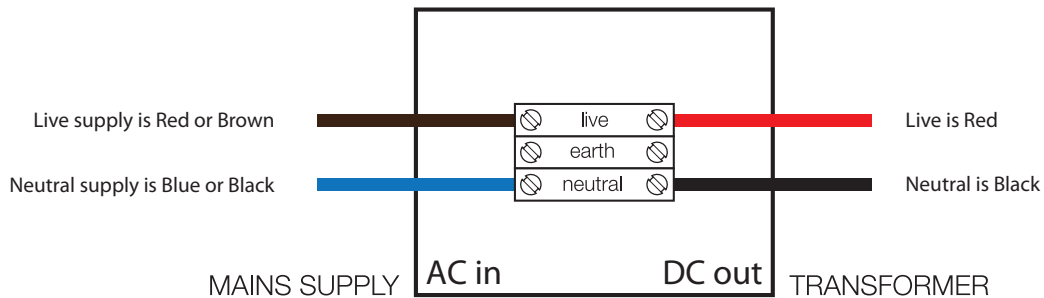
The fan is operated by turning on the wall switch. When the switch is turned off the fan will continue to operate within the set period of time. Adjustable between 2-30mins. This can be adjusted by turning the potentiometer T clockwise to increase and anticlockwise to decrease the run time.

**ONLY  
use the  
screwdriver  
provided  
to adjust  
the timer  
setting.**



## Wiring diagram for lamp

Cool White and Warm White illuminated fans.



## Maintenance

**In order to maintain the safe and effective operation of the fan regular maintenance must be performed**

Fan maintenance is to be performed only after the fan is disconnected from the mains power supply. This includes periodic cleaning of the surface of dust and dirt.

All surfaces should be cleaned with a diluted detergent and a soft cloth. Avoid water dripping on the electric components. Wipe the surfaces dry after cleaning.

Aftercare service - In the unlikely event that this product should fail, please contact HiB customer services. The details are shown below.



**WEEE compliance**  
Must not be mixed with  
general household  
waste

## Electrical Information

This product contains a light source of energy efficiency class E

T: +44 (0)20 8441 0352 F: +44 (0)20 8441 0219 E: sales@hib.co.uk [hib.co.uk](http://hib.co.uk)  
Building 3, North London Business Park, Oakleigh Road South, New Southgate, London. N11 1GN

©HiB Copyright: No part of this document may be reprinted or duplicated without HiB consent. All sizes and measurements are approximate, but we do try and make sure they are as accurate as possible. In the interest of continuous product development, HiB reserves the right to alter specifications as necessary. E & OE.