



J.02

Daikin Splits/
Multi-Splits &
SkyAir

Daikin Comfora RXP- M

- Daikin
- Outdoor Unit
- Daikin Comfora RXP-M
- Air-2-Air, Heatpump,
Inverter Driven
- Cooling 2.0kW - 7.1kW
- Heating 2.5kW - 8.2kW
- R32
- Residential Product

R-32



Outdoor Unit type Daikin Comfora RXP-M

F-Gas Certified

To be able to purchase this product we must hold a copy of your company F-Gas Certification on your account.

Links to accepted certification

[REFCOM](#)

[F-Gas](#)

Brand

- Daikin

Product

- Comfora - Outdoor Unit

Function

- Air-2-Air, Heatpump, Inverter Driven

Refrigerant

- R32

Applicable indoor units

- Type **FTXP 20/25/35/50/60/71 M**

Features

- Outdoor units are fitted with a swing compressor, renowned for its low noise and high energy efficiency
- Daikin outdoor units are neat, sturdy and can easily be mounted on a roof or terrace or simply placed against an outside wall
- Outdoor units for pair application
- Daikin outdoor units are equipped with an anti-corrosion treated heat exchanger (blue fin) which ensures greater resistance to the most severe weather conditions
- Choosing for an R-32 product, reduces the environmental impact with 68%

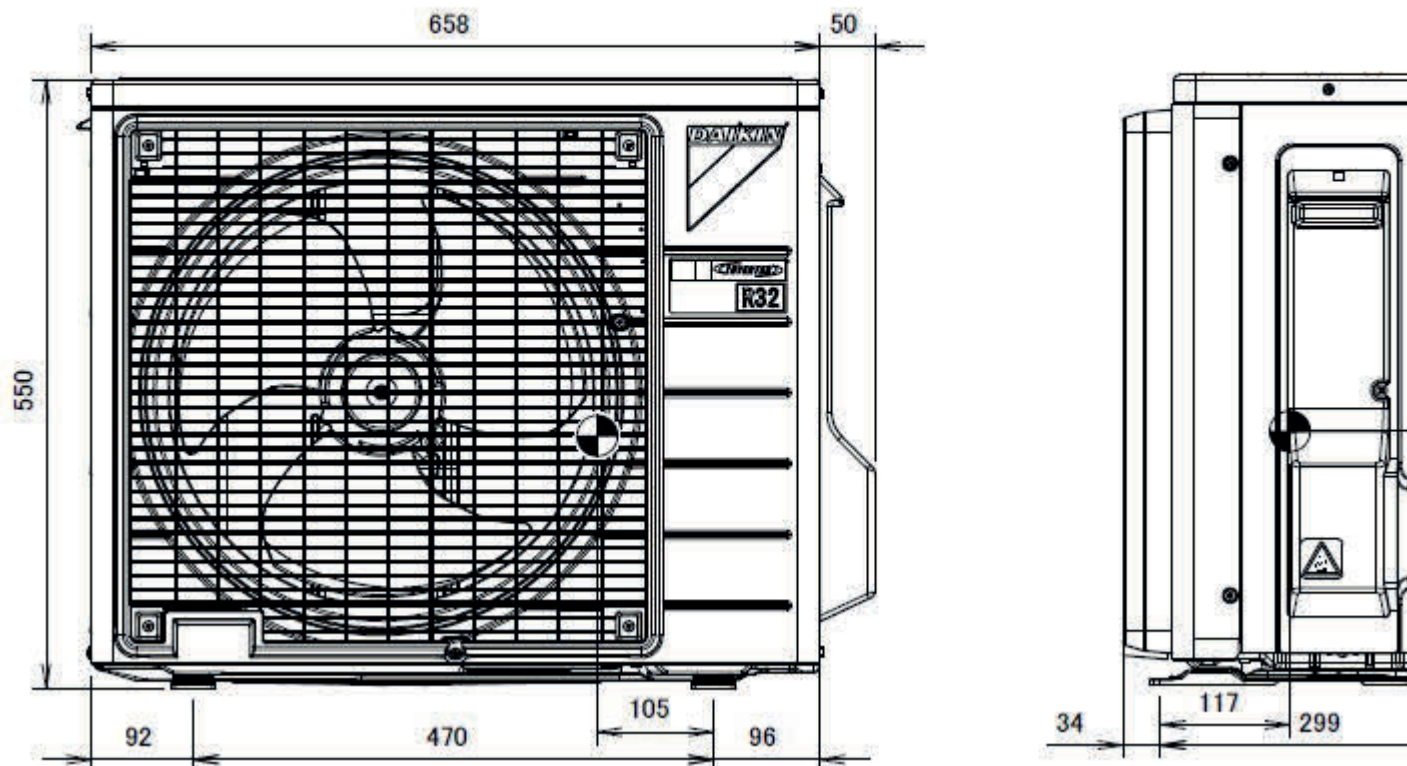
compared to R-410A and leads directly to lower energy consumption thanks to its high energy efficiency

- Class A++ & A energy saving
- Maximum pipe run = 15m on sizes 20/25/35
- Maximum pipe run = 30m on sizes 50/60/71
- Maximum vertical rise = 12m on sizes 20/25/35
- Maximum vertical rise = 20m on sizes 50/60/71
- Swing compressor
- DC fan motor
- Protected valves
- 3-Bladed rotary fan
- Input power : 230V/1/50Hz
- 16 Amp 300mA Earth Leakage Circuit Breaker (inverter & DC component compatible) on sizes 20/25/35/50/60/71
- **Operating Range (Cooling) Min -10 / Max 46 °CDB**
- **Operating Range (Heating) Min -15 / Max 18 °CWB**

Outdoor Units			Specifications					
Dimensions	Height x Width x Depth	mm	RXP20M	RXP25M	RXP35M	RXP50M	RXP60M	RXP71M
Dimensions	Height x Width x Depth	mm	550 X 658 X 275	550 X 658 X 275	550 X 658 X 275	734 x 870 x 373	734 x 870 x 373	734 x 870 x 373
Weight	kg		26	26	28	46	50	50
Electrical Details	Power Supply		1ph	1ph	1ph	1ph	1ph	1ph
	Maximum Input Current A (MCA)		10.4	10.4	10.4	14.5	15.7	15.7
	Max Fuse Size A		16	16	16	16	16	16
Interconnection Wiring Core / Cable Size			3+E / 1.5	3+E / 1.5	3+E / 1.5	3+E / 1.5	3+E / 1.5	3+E / 1.5
Piping Connections	Liquid / Gas	inches (mm)	1/4 (6.4) / 3/8 (9.5)	1/4 (6.4) / 3/8 (9.5)	1/4 (6.4) / 3/8 (9.5)	1/4 (6.4) / 1/2 (12.7)	1/4 (6.4) / 1/2 (12.7)	1/4 (6.4) / 1/2 (12.7)
	Pipework							
	Maximum Length m		15	15	15	30	30	30
	Maximum Vertical Rise m		12	12	12	20	20	20
	Precharged to m		10	10	10	10	10	10
	Additional charge g/m		20	20	20	20	20	20
	Holding charge kg		0.55	0.55	0.7	0.9	1.15	1.15
Sound Pressure (Cooling)	Nominal	dBA	46	46	48	47	49	52
Sound Pressure (Heating)	Nominal	dBA	47	47	48	49	49	52
Sound Power (Cooling) dBA			60	60	62	61	63	66
Operating Range (Cooling)	Min / Max	°CDB	-10 / 46	-10 / 46	-10 / 46	-10 / 46	-10 / 46	-10 / 46
Operating Range (Heating)	Min / Max	°CWB	-15 / 18	-15 / 18	-15 / 18	-15 / 18	-15 / 18	-15 / 18

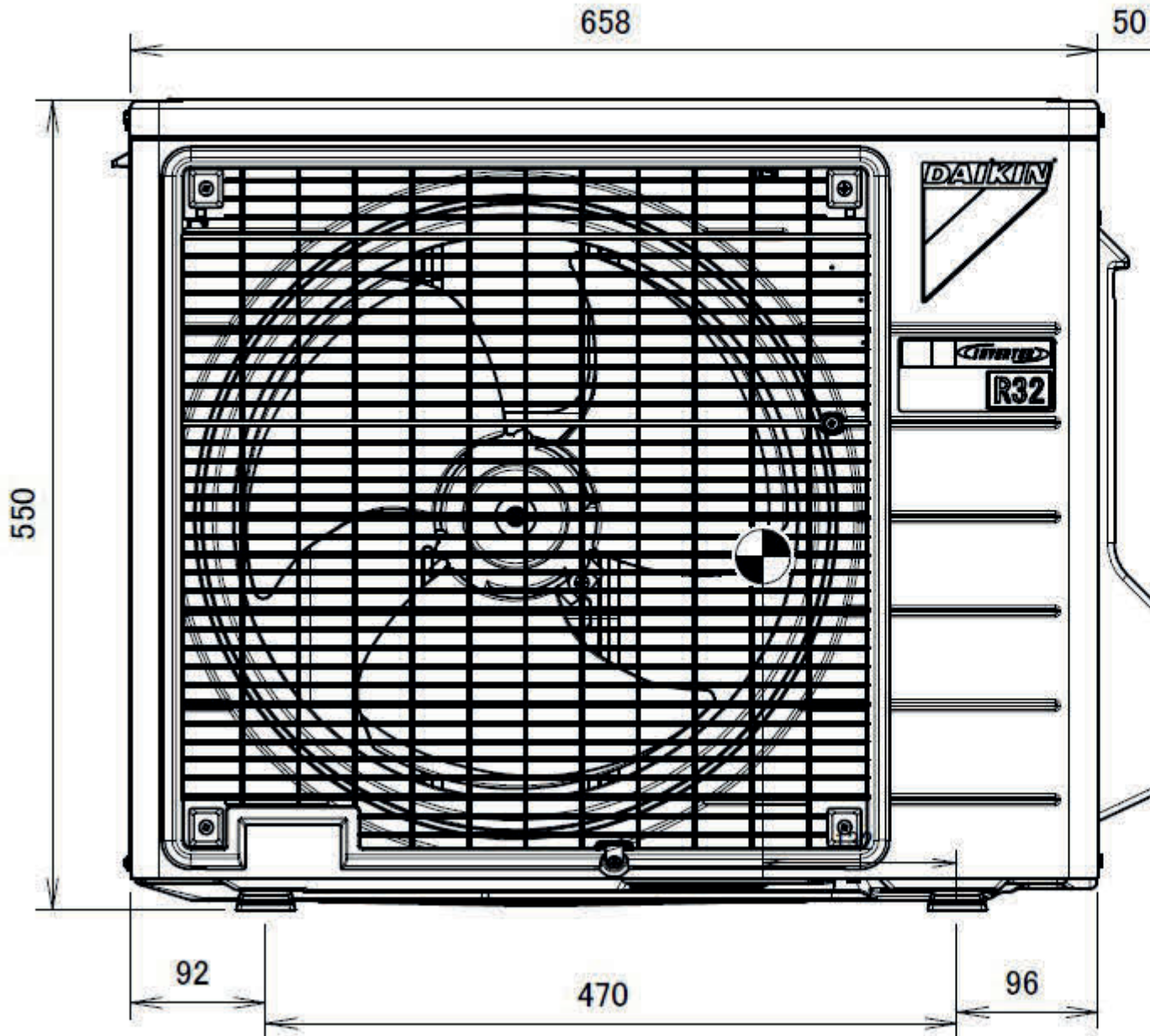
Dimensions

RXP20-25M



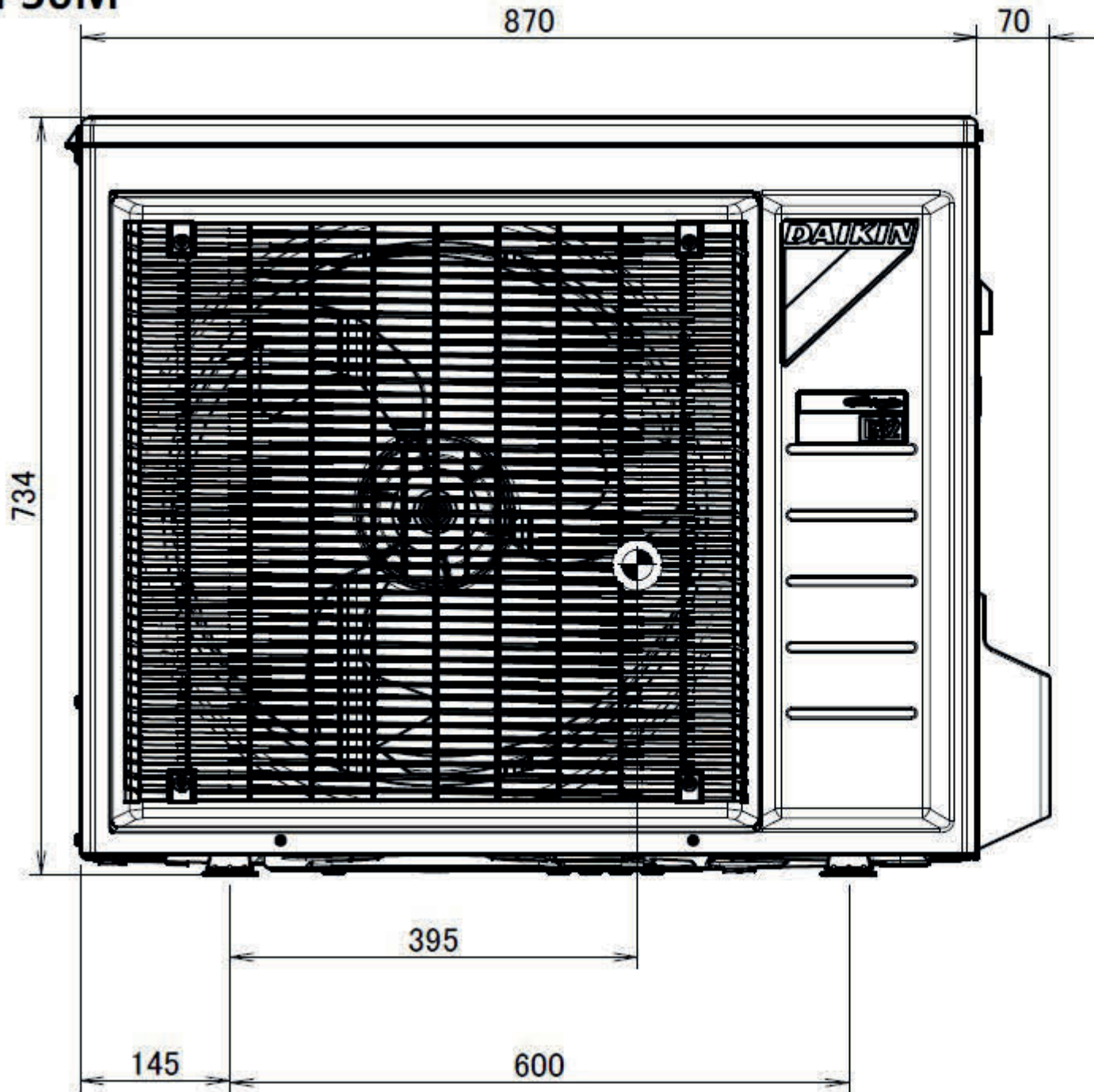
Dimensions

RXP35M



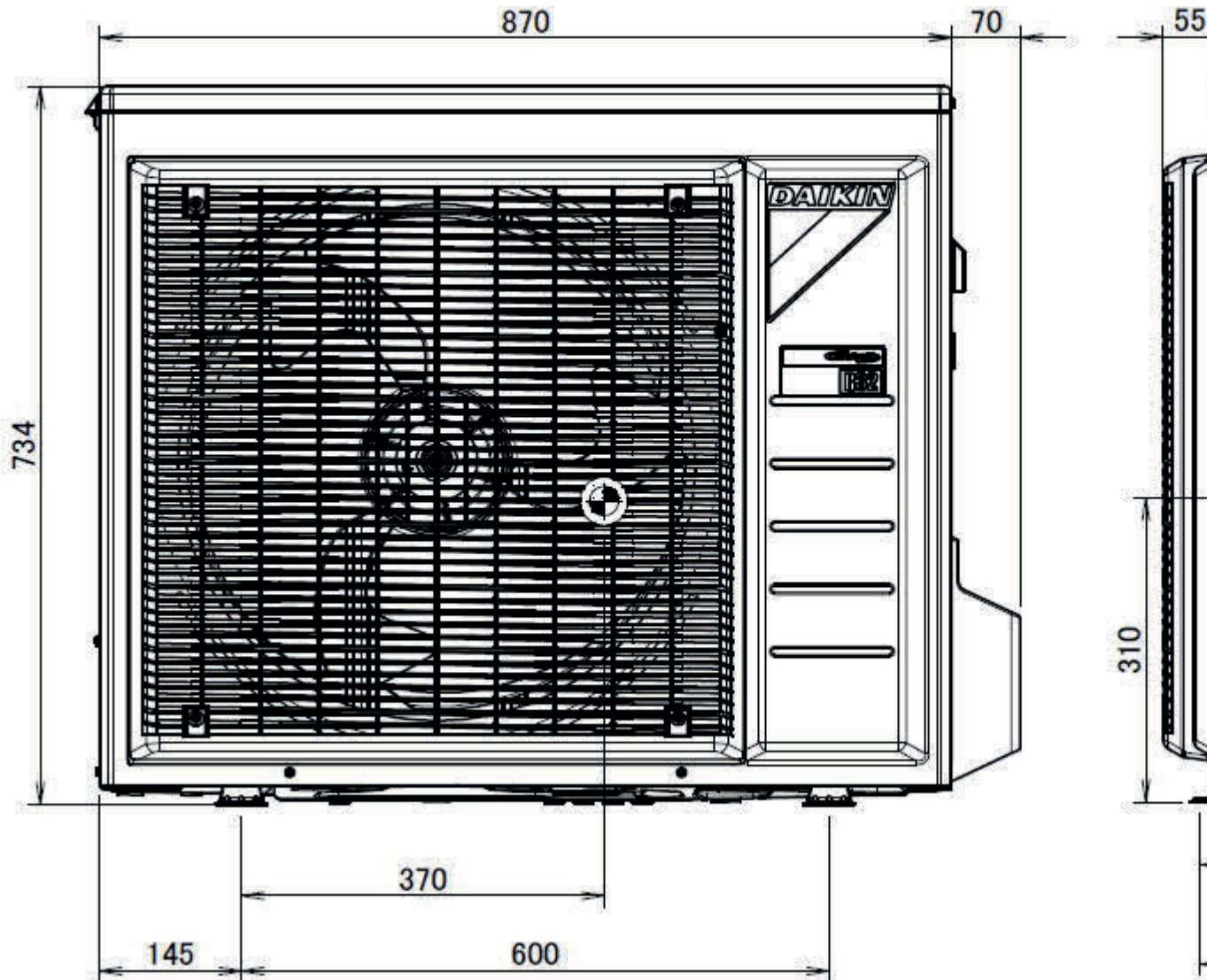
Dimensions

RXP50M



Dimensions

RXP60-71M



Installation

