

ROOFLINE

by **timloc**

Over Fascia Ventilation System

Efficient, durable, single product multi-function ventilation system

Use

- For roof eaves ventilation
- On roofs where the eaves incorporate a fascia board
- On roofs which do not incorporate a soffit board or where an unbroken soffit board is required

Features and Benefits

- Provides ventilation equivalent to a continuous 10mm opening (10,000mm² per metre run) and is supplied in 1m lengths.
- Efficient, very unobtrusive and easy to fit
- Superior strength construction - will carry the weight of the bottom row of tiles
- Performs several functions in a single product - over fascia ventilator, felt support/eaves protector and eaves comb filler
- 4mm wide ventilation slots comply with BS 5250 : 2021
- Durable and totally resistant to decay
- UV stabilised and colourfast
- Supplied in convenient effective 1m lengths

Quality

- Satisfies all NHBC requirements
- Manufactured to BS EN ISO 9001 and BS IN ISO 14001
- Complies with all relevant Building Regulations
- Meets all relevant British Standards

Material and Colour Choice

- Manufactured by injection moulding in high density polypropylene
- Available in black only

Installation Advice

- Use to ventilate pitched roofs, where the pitch of the roof is 15 degrees or more, and the roof void is attic or loft space
- Make sure each ventilator is fixed securely into the top of the fascia board using screws or nails through the fixing holes provided
- Products designed so that the roofing felt will be cut back flush with the edge of the fascia board, and not dressed out into the gutter
- Ventilation must be provided for the full length of the eaves and along both sides of the building to create a cross flow ventilation action

Please see technical section for more details.

How to Order

- Specify product code with C if integral eaves comb filler is needed
- Measure the overall length of the eaves to be ventilated and divide by 1000mm to determine the number of ventilators required

Product Codes

Free Airflow	Length	Eaves Comb	Pack Qty	Product Code
10,000mm ² per meter	1m	Yes	10	3014C
10,000mm ² per meter	1m	No	20	3014



Bill of Quantity

Over fascia ventilation system 1m (10mm airflow)

G20 Carpentry/Timber Framing/First Fixing

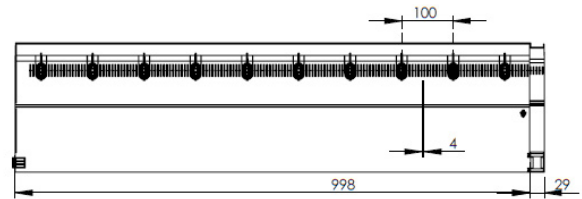
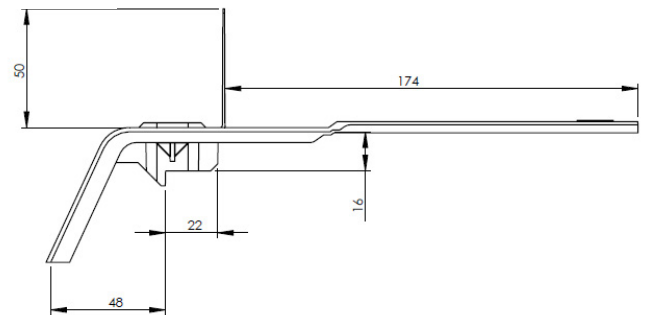
Clause

910^ EAVES SOFFIT VENTILATION

- Manufacturer: Timloc Building Products, Timloc House, Ozone Park, Howden, East Yorkshire, DN14 7SD. T: 01405 765567 W: www.timloc.co.uk
- Product Reference: 3014C or 3014
- Type: Over Fascia Ventilation System (1000mm) 10mm Airflow
- Colour: Black
- Airway: Provide the equivalent of a continuous opening of not less than 10mm for the full length of eaves.

Product Dimensions

3014C



3014

